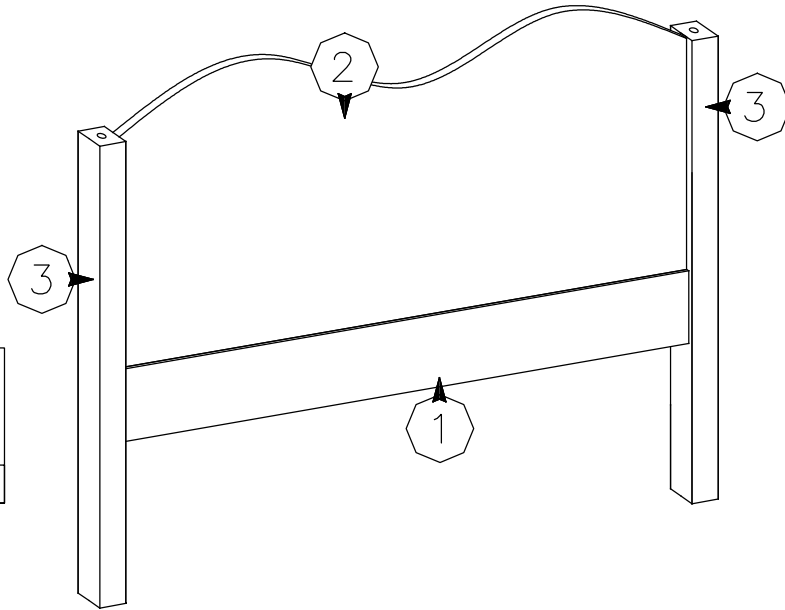
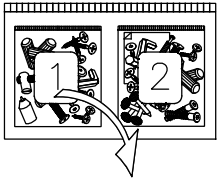








 : 0/X



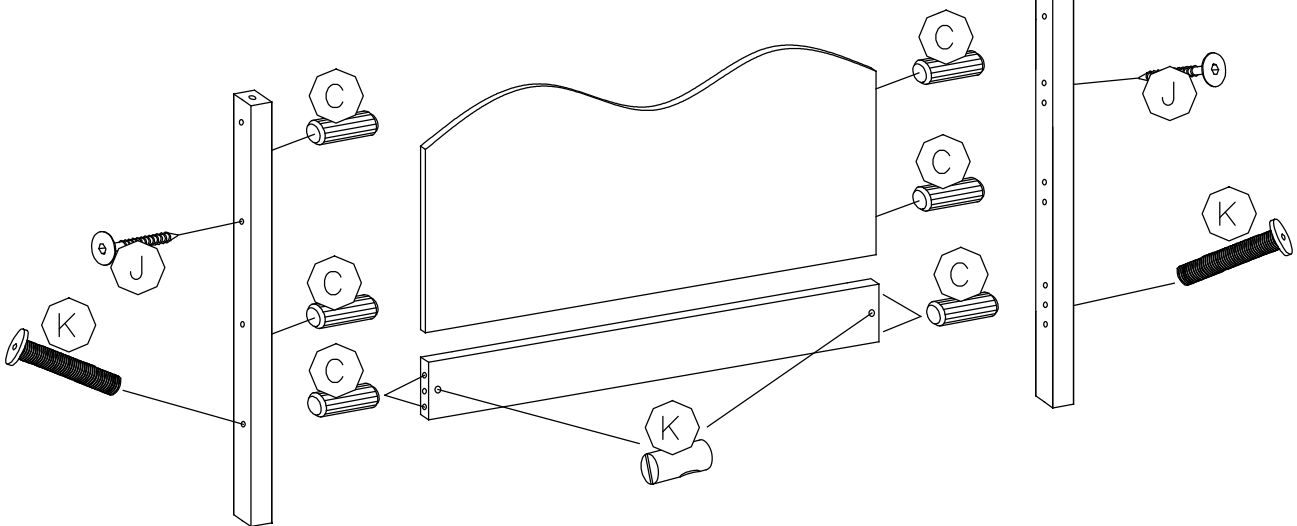
8.0x35	M6.0x70	6.5x70
		
C	K	J
16	4	4

#	ILOŠĆ/QUANTITY
1	2
2	2
3	4

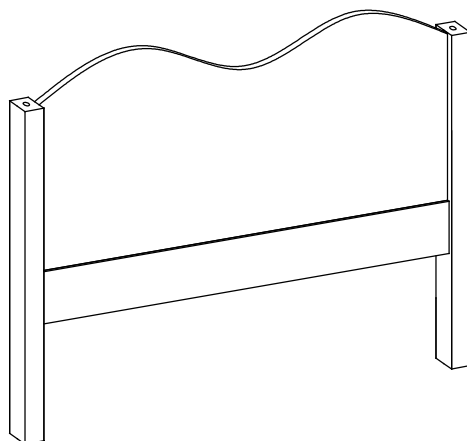
1

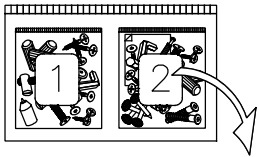
8.0x35	M6.0x70	6.5x70
		
C	K	J
16	4	4

2x

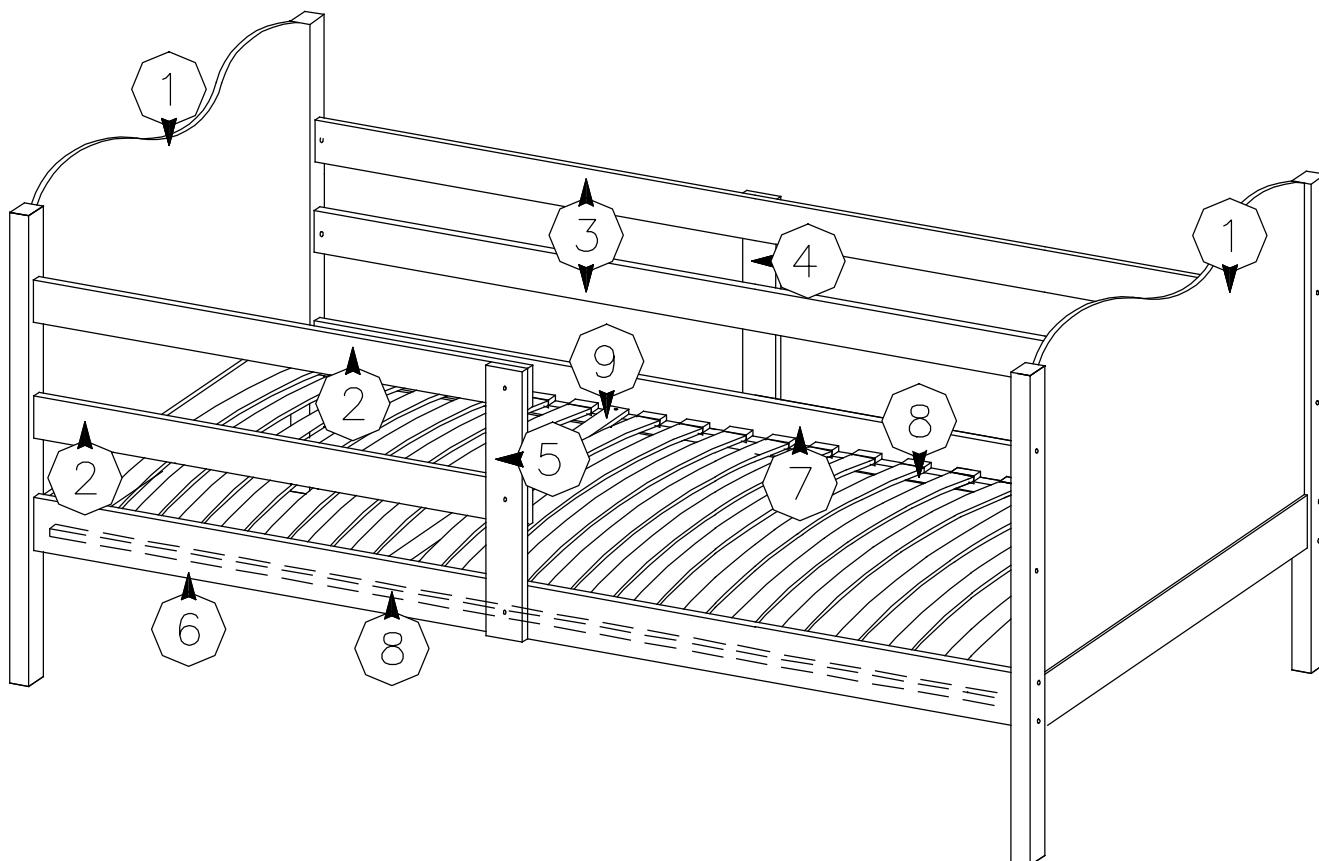


2











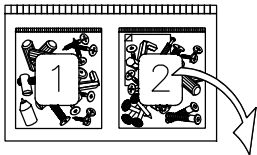
 : 2/X



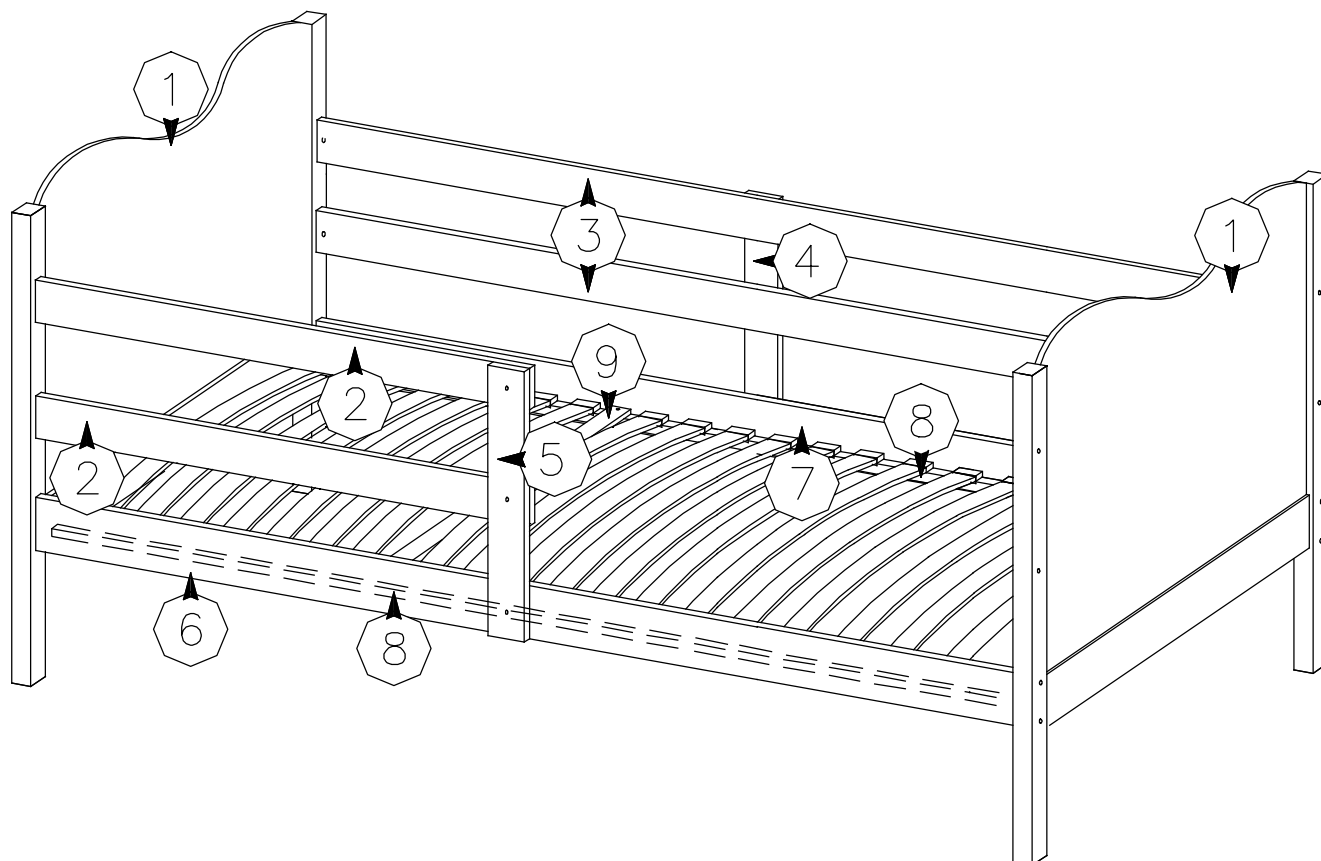
NR	ILOŚĆ QUANTITY
1	2
2	2
3	2
4	1
5	1
6	1
7	1
8	2
9	1

	80x160		80x160			
	80x160 3.5x35		M6.0x35		80x160 4.0x13	
B	G	N	O	W	J	K
1	21	3	3	32	4	10





80x160	80x160
	
S	H
16	32





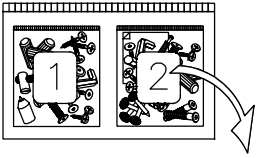
 : 2/X



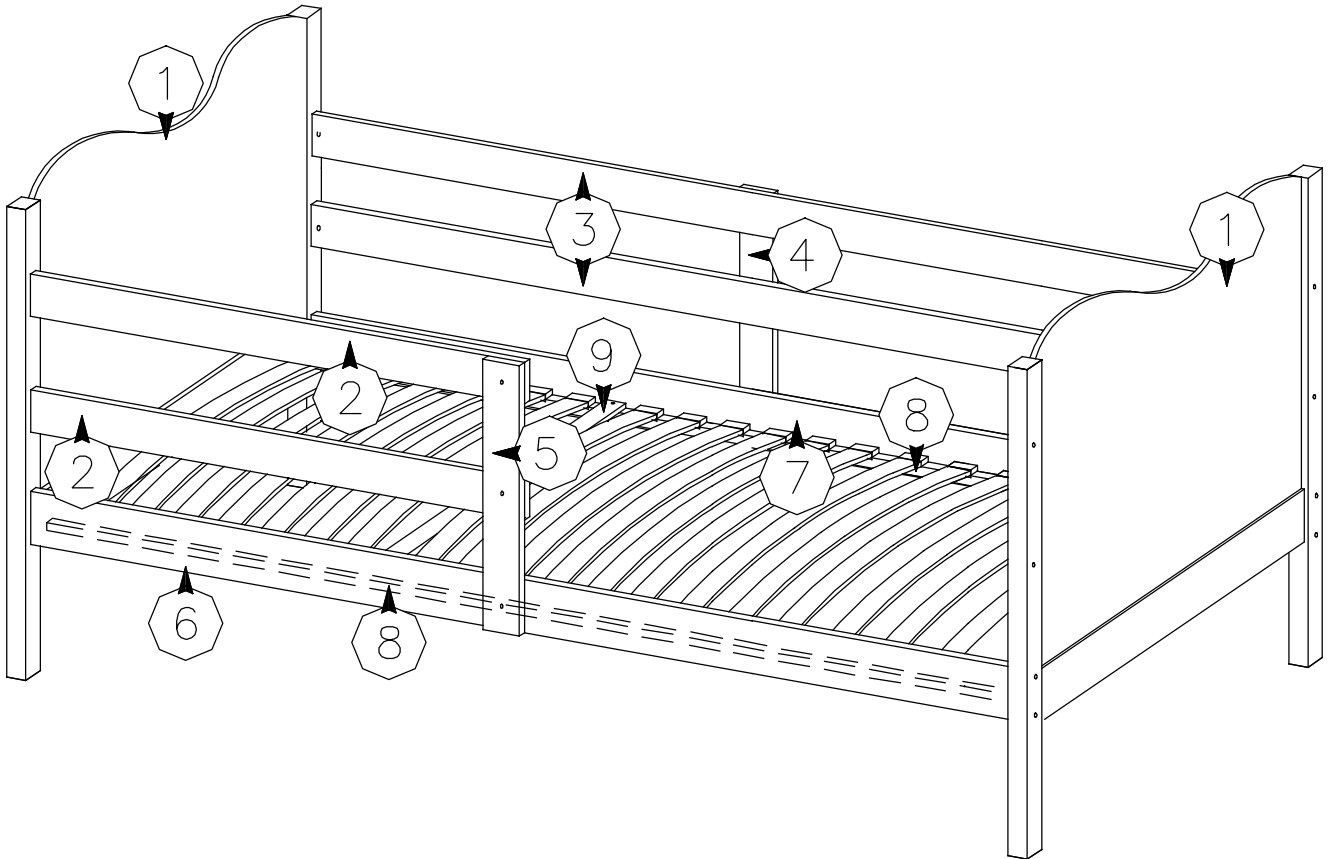
NR	ILOŚĆ QUANTITY
1	2
2	2
3	2
4	1
5	1
6	1
7	1
8	2
9	1

	80x190		80x190			
	80x190 3.5x35		M6.0x35		80x190 4.0x13	
B	G	N	O	W	J	K
1	21	3	3	36	4	10





80x190	80x190
	
S	H
18	36





 : 2/X



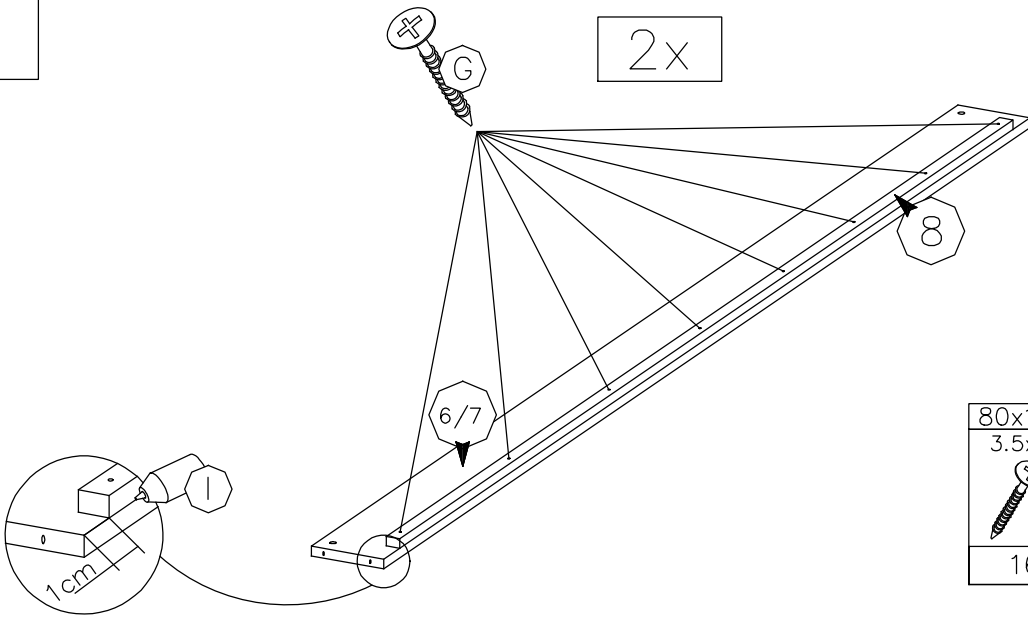
NR	ILOŚĆ QUANTITY
1	2
2	2
3	2
4	1
5	1
6	1
7	1
8	2
9	1

	90x200		90x200		90x200	
	3.5x35		M6.0x35		6.5x70	
B	G	N	O	W	J	K
1	25	3	3	40	4	10

90x200	90x200
	
S	H
20	40

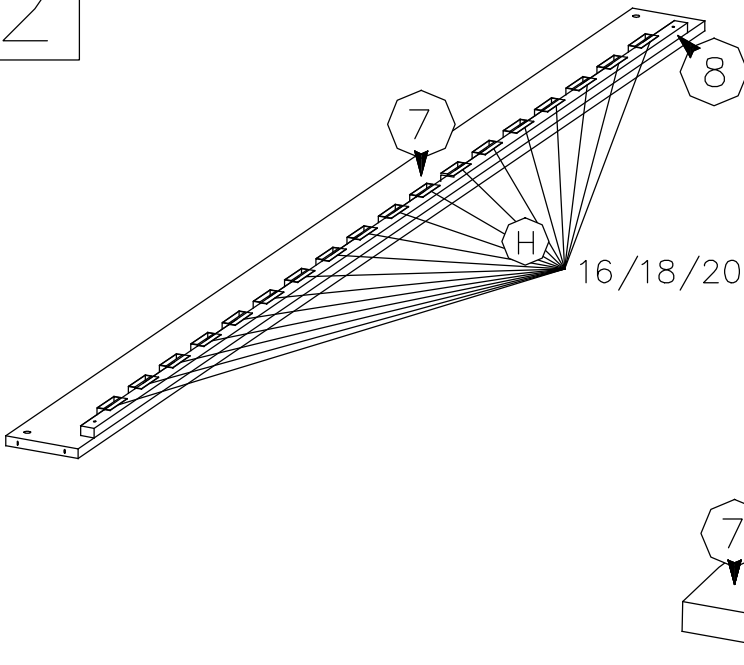
1

2x



80x160 3.5x35 16	80x190 3.5x35 16	90x200 3.5x35 20
----------------------------	----------------------------	----------------------------

2

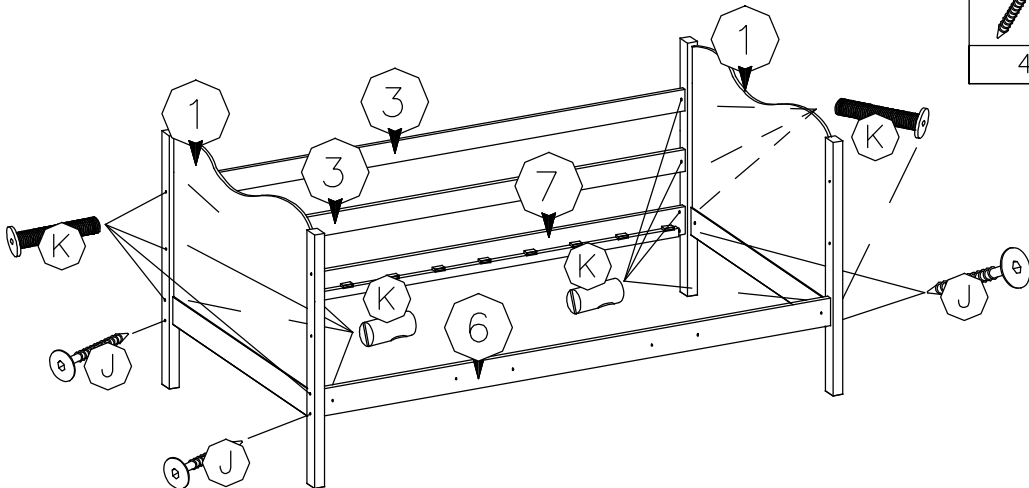


80x160 4.0x13 16	80x160 16
----------------------------	------------------

80x190 4.0x13 18	80x190 18
----------------------------	------------------



90x200 4.0x13 20	90x200 20
----------------------------	------------------

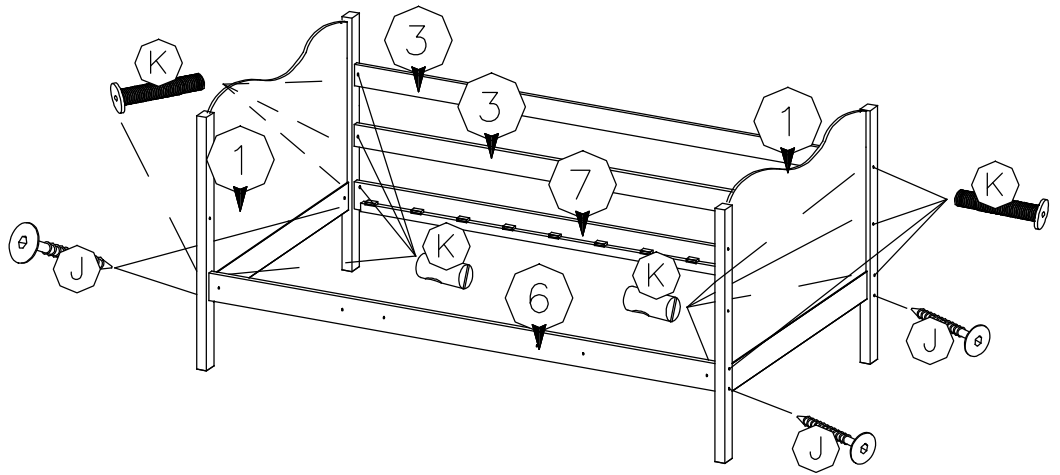
3A







6.5x70 4	M6.0x70 8
-----------------	------------------





3B





6.5x70 	M6.0x70 
J 4	K 8

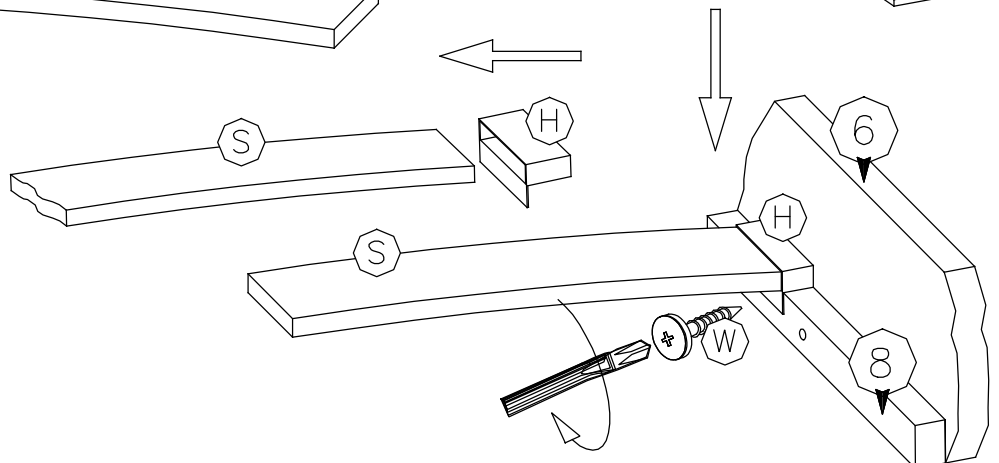
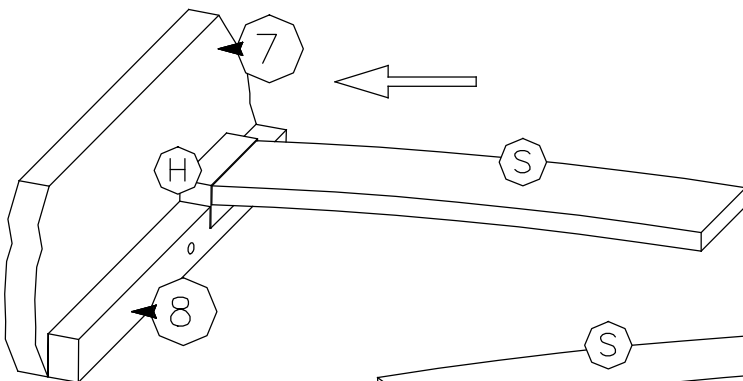
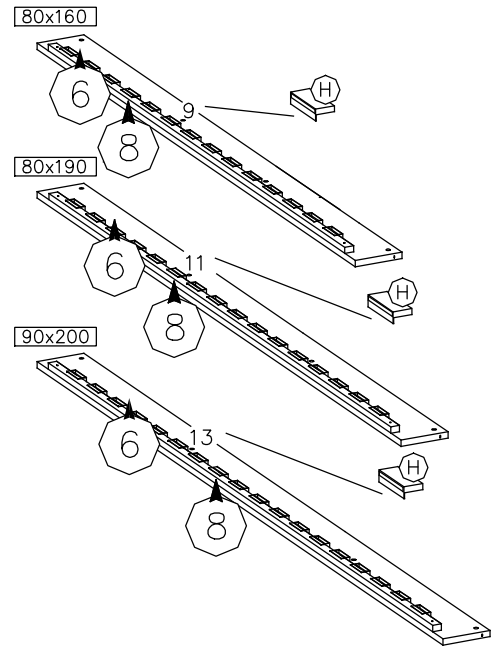
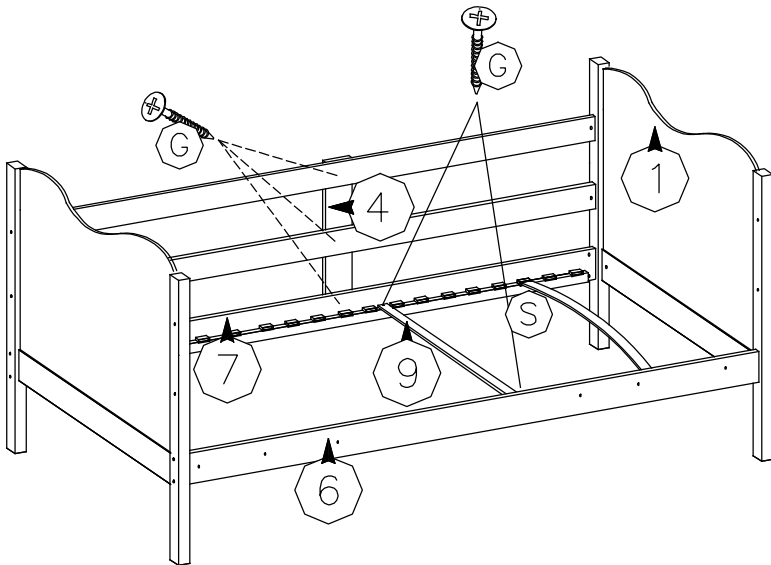


4A

80x160 4.0x13 	80x160 	80x160 3.5x35 	80x160 
W 15	H 15	G 5	S 15

80x190 4.0x13 	80x190 	80x190 3.5x35 	80x190 
W 17	H 17	G 5	S 17

90x200 4.0x13 	90x200 	90x200 3.5x35 	90x200 
W 19	H 19	G 5	S 19

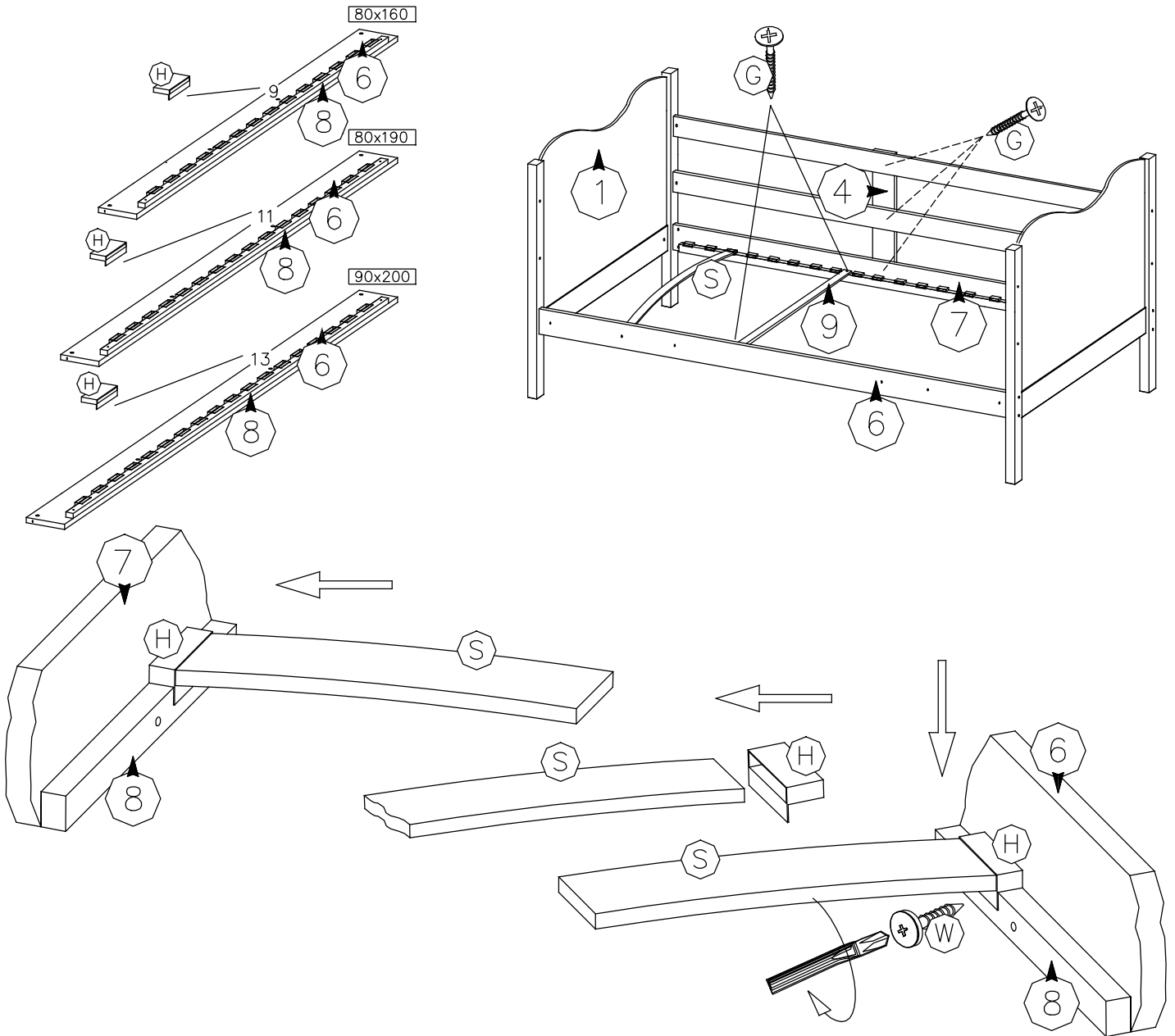


4B

80x160 4.0x13 W	80x160 H	80x160 3.5x35 G	80x160 S
15	15	5	15

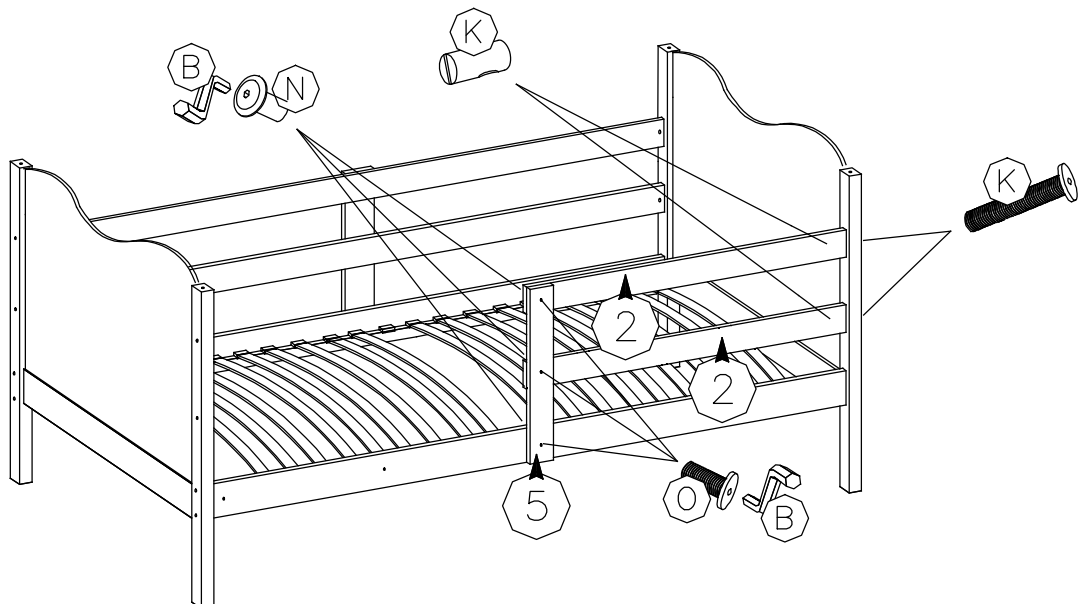
80x190 4.0x13 W	80x190 H	80x190 3.5x35 G	80x190 S
17	17	5	17

90x200 4.0x13 W	90x200 H	90x200 3.5x35 G	90x200 S
19	19	5	19



5A

M6.0x70 K	2
M6.0x35 O	3
N	3



5B

M6.0x70



2

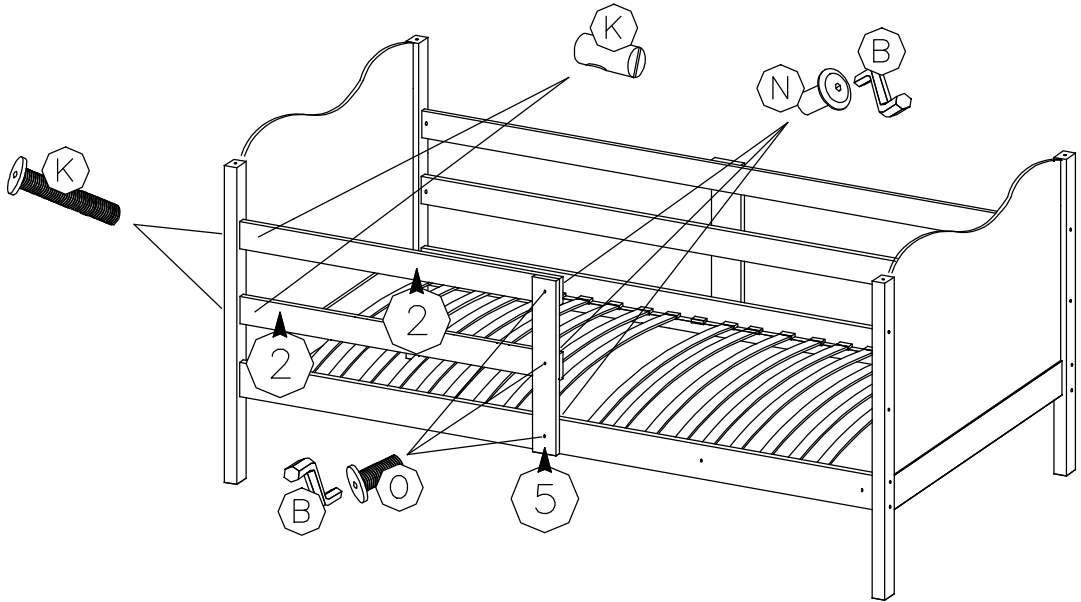
M6.0x35



3



3



6

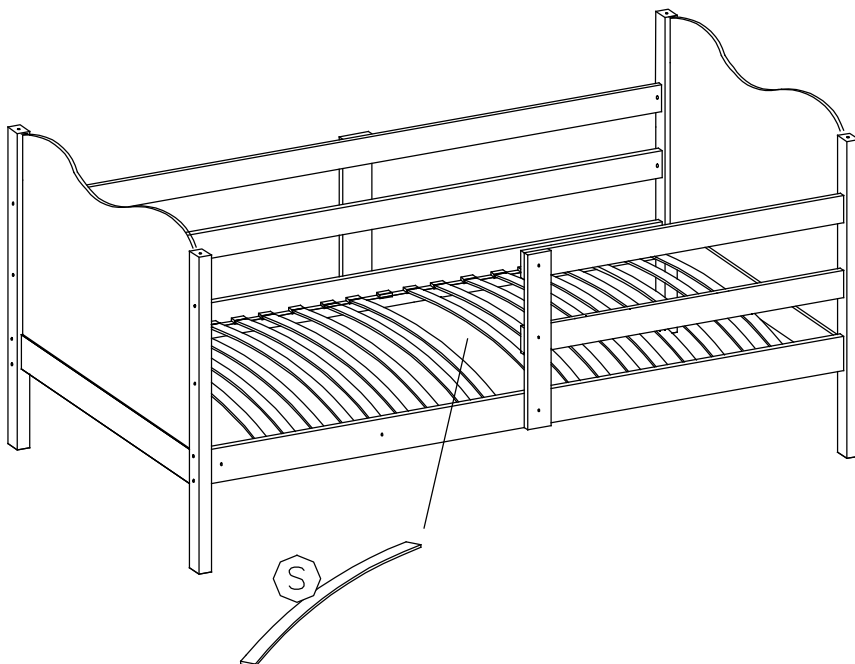
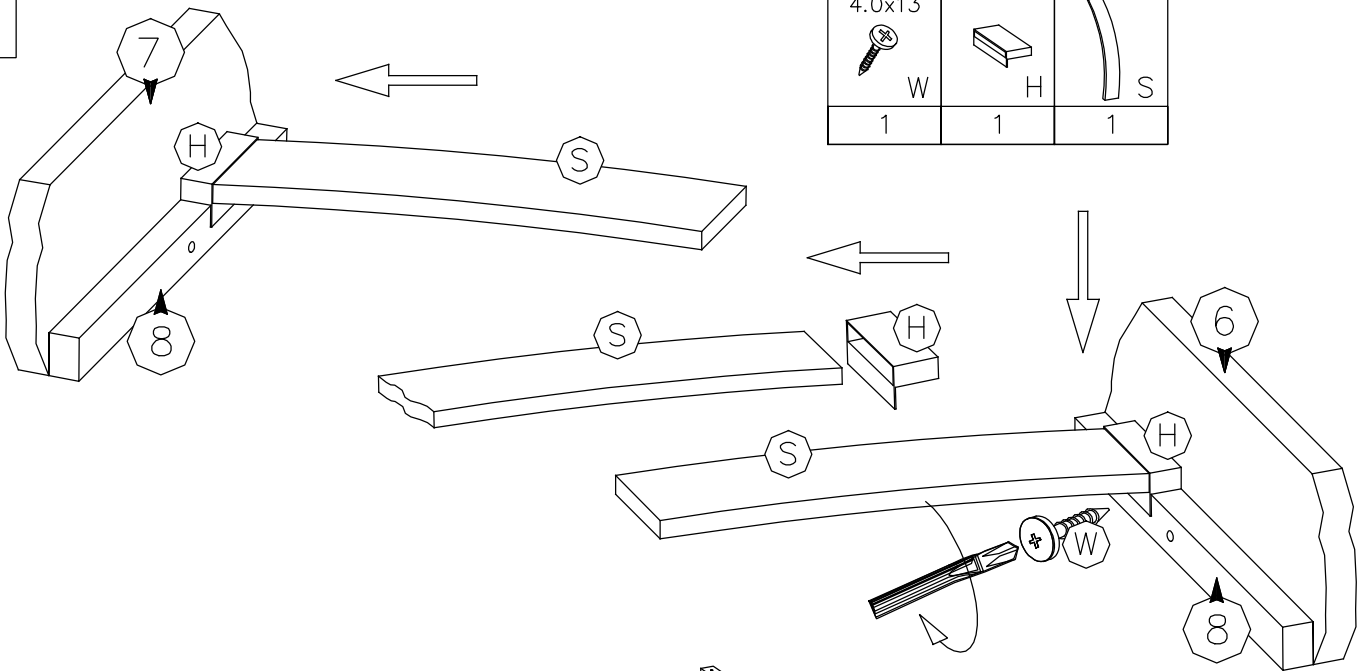
4.0x13

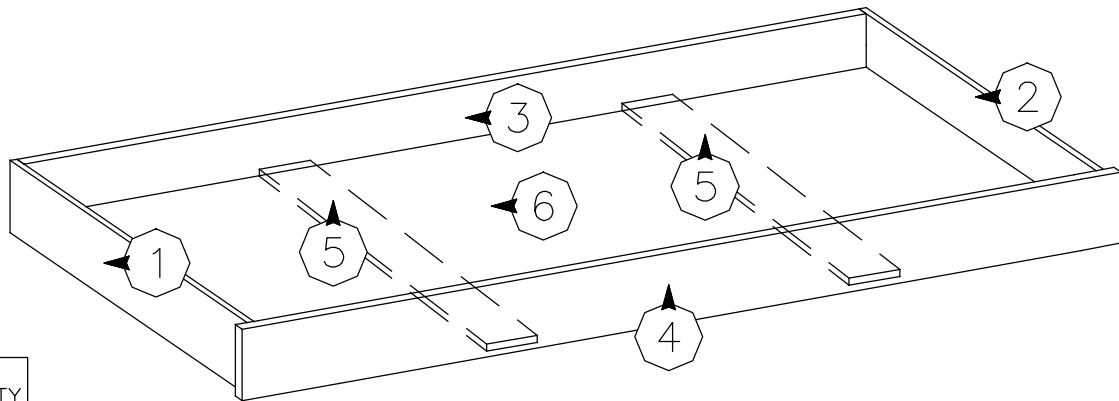
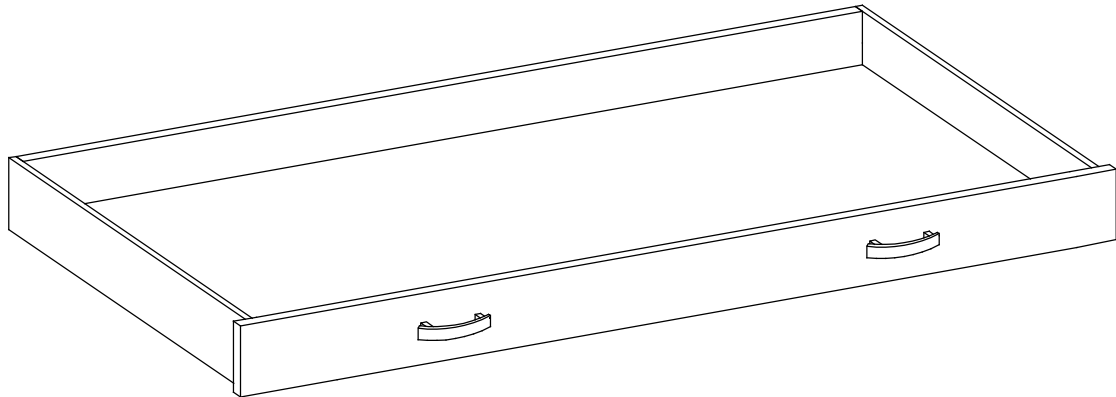


1

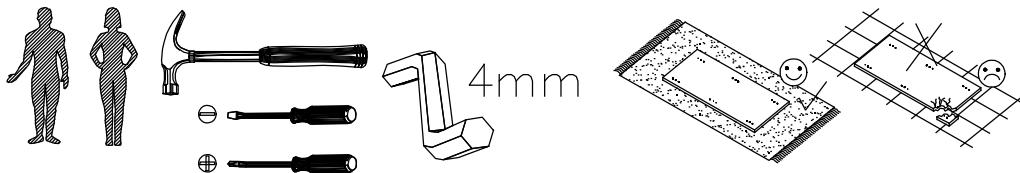
1









1









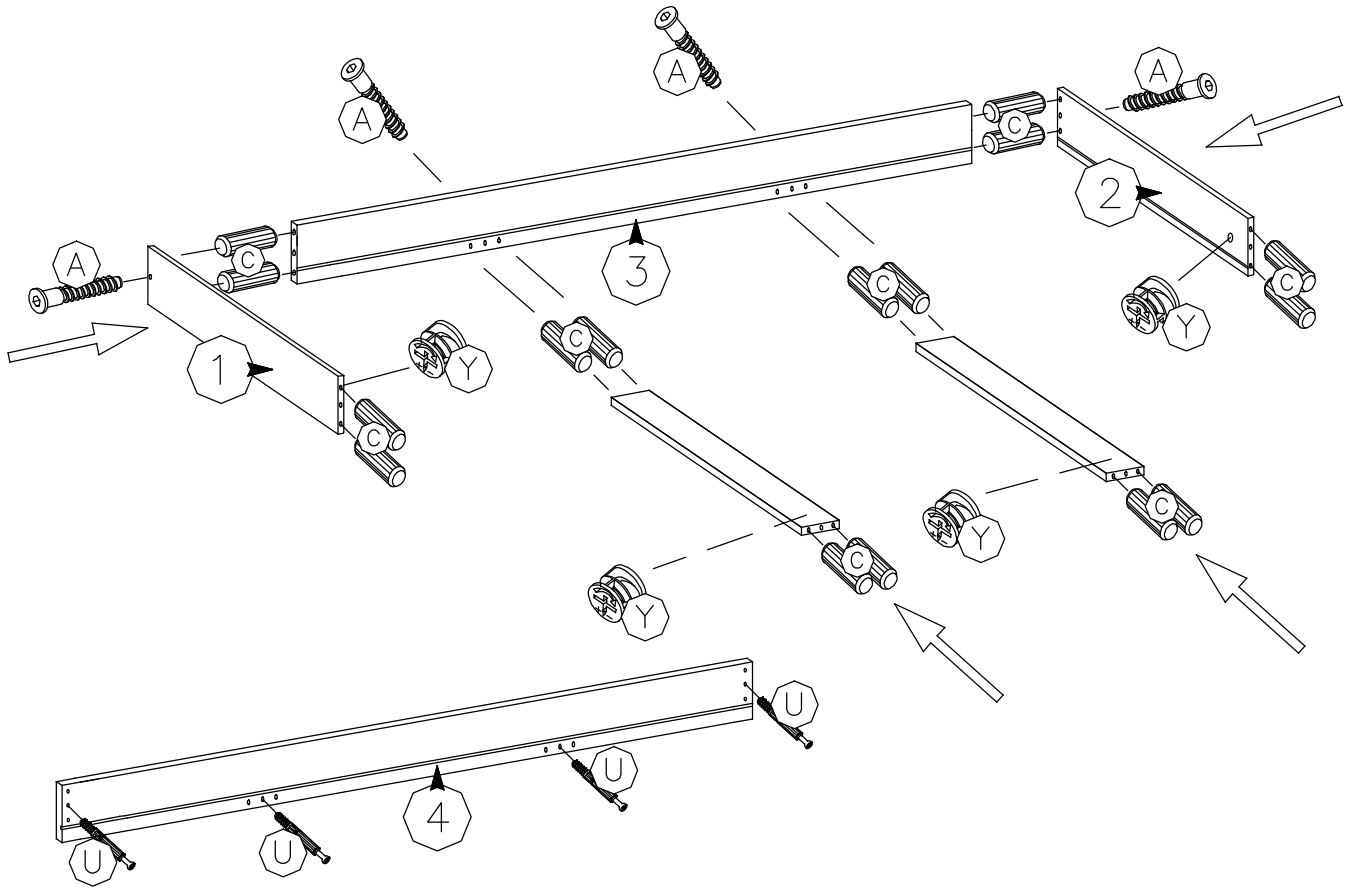
NR	ILOŚĆ QUANTITY
1	1
2	1
3	1
4	1
5	2
6	1



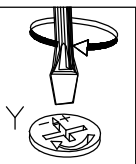
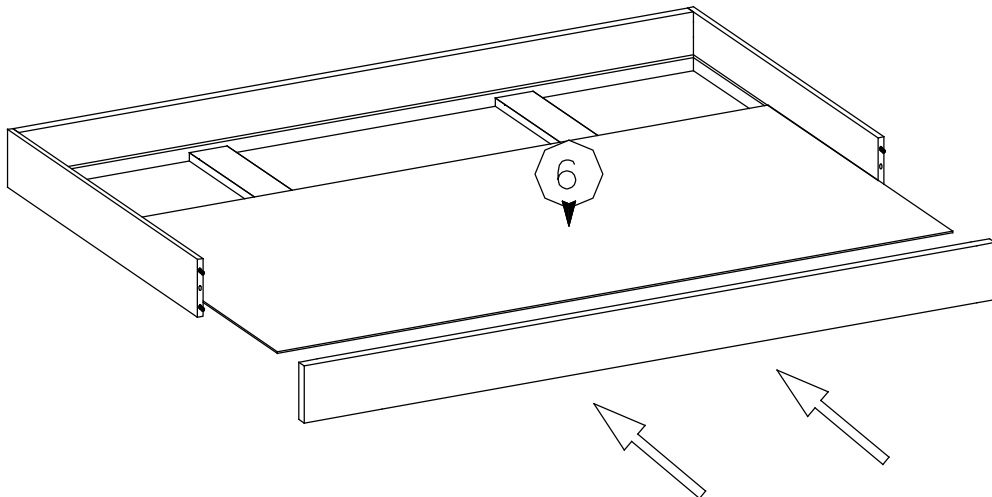
				4.0x13 	8.0x35 		4.0x27 
4	4	4	4	8	16	2	4

1


	8.0x35			
A		C	U	Y
4	16	4	4	4

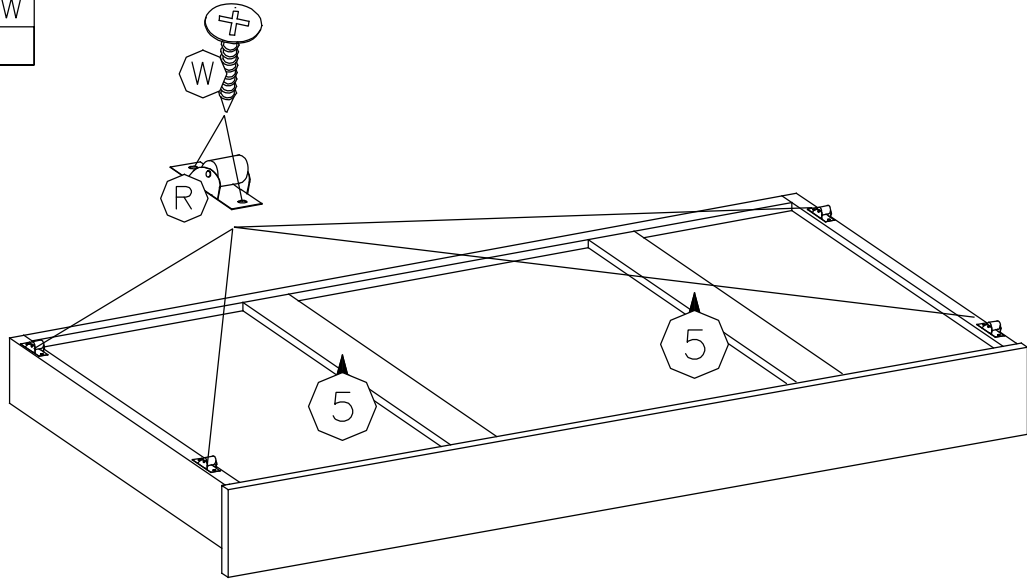


2




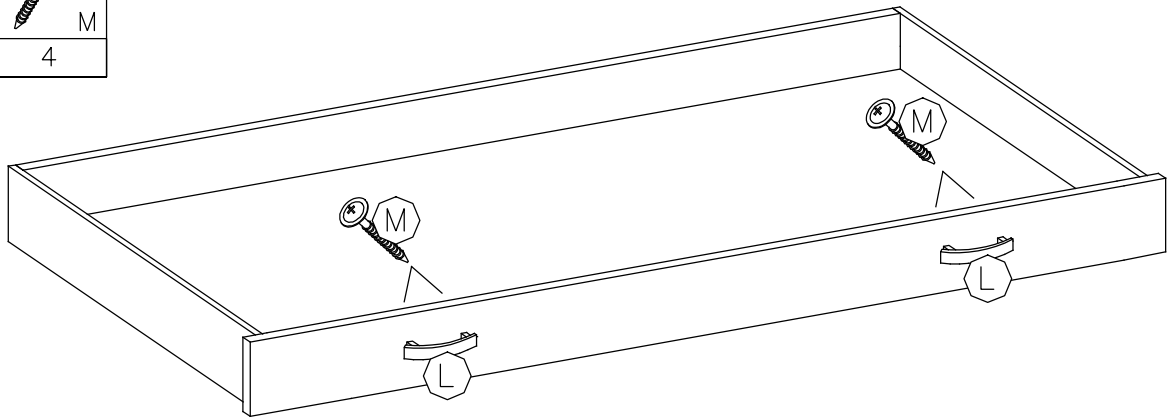
3

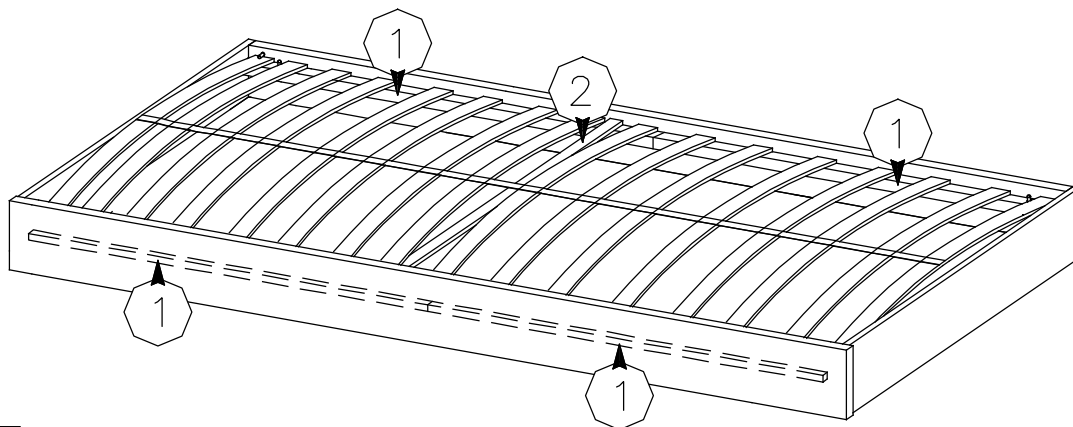
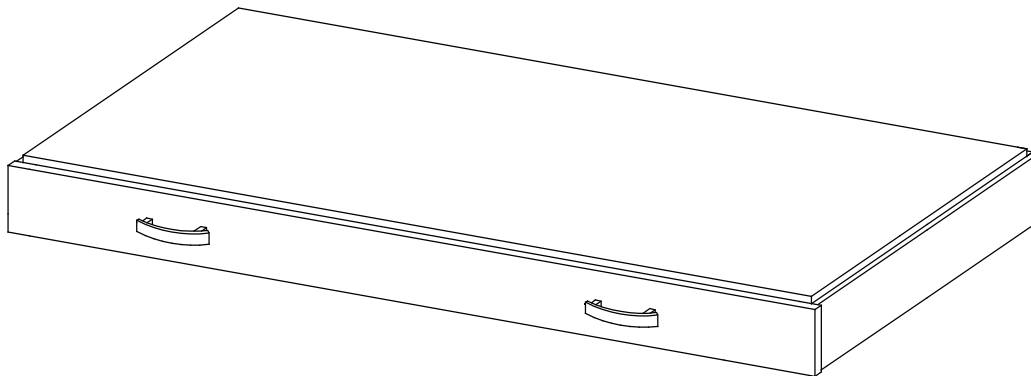
	4.0x13
R	W
4	8



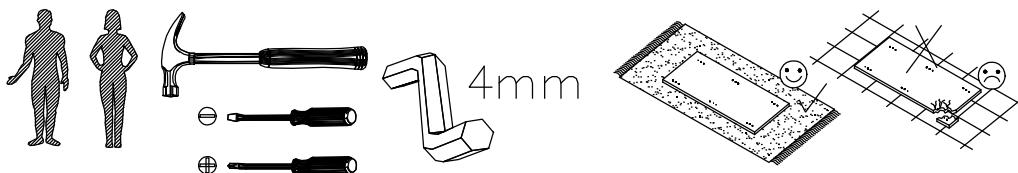
4


	4.0x27
L	M
2	4






NR	ILOŚĆ QUANTITY
1	4
2	1



	3.5x35
P	G
8	22

	S
16	

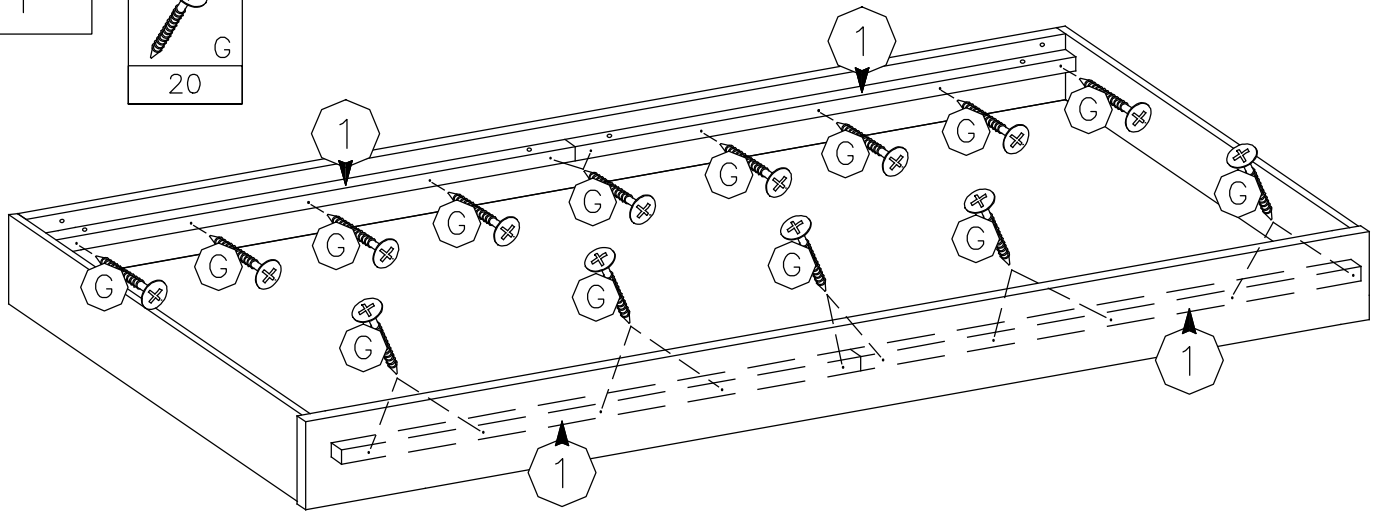
1

3.5x35



G

20



2



P

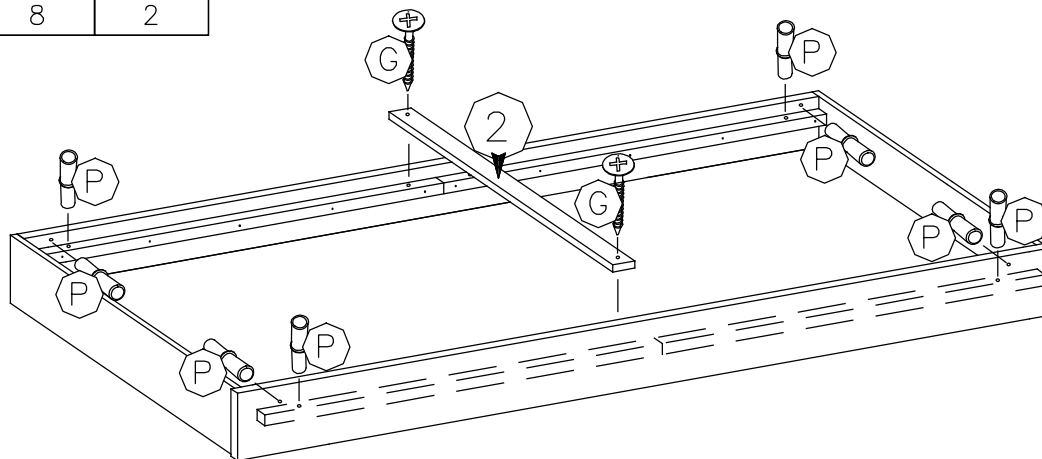
8

3.5x35



G

2



3



S

16

