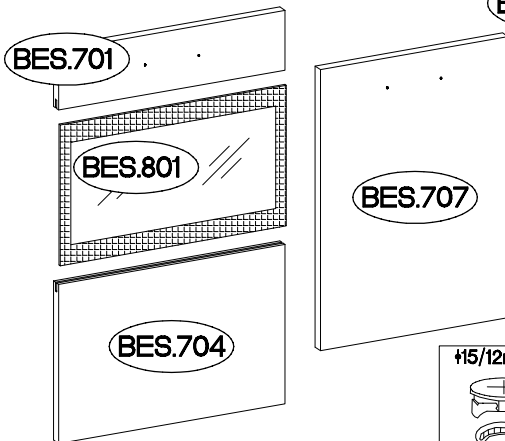
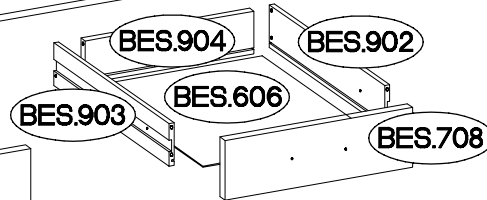
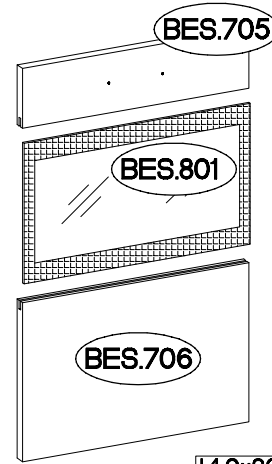
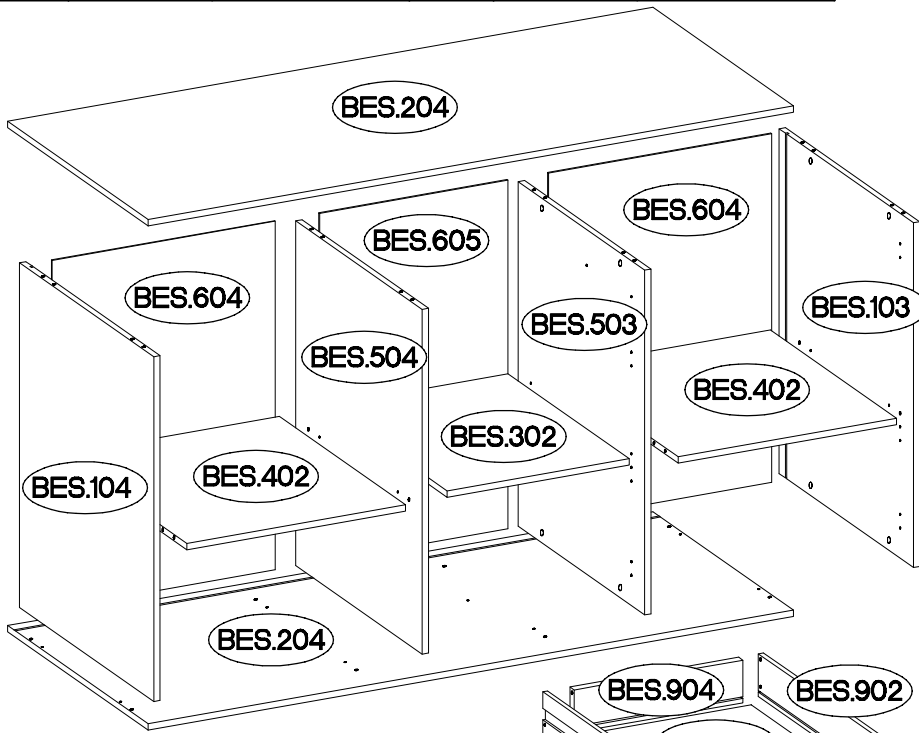
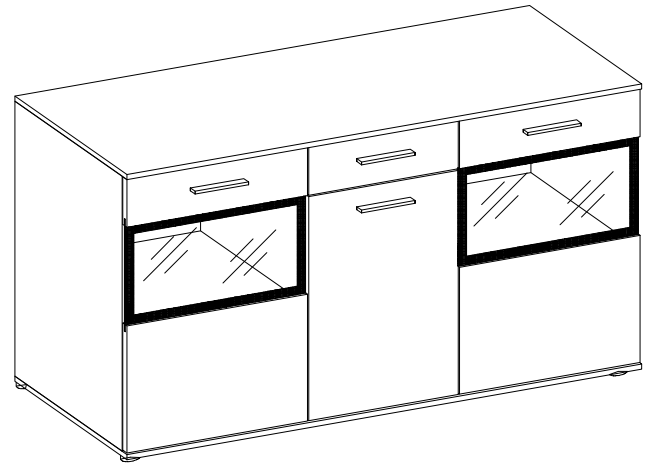


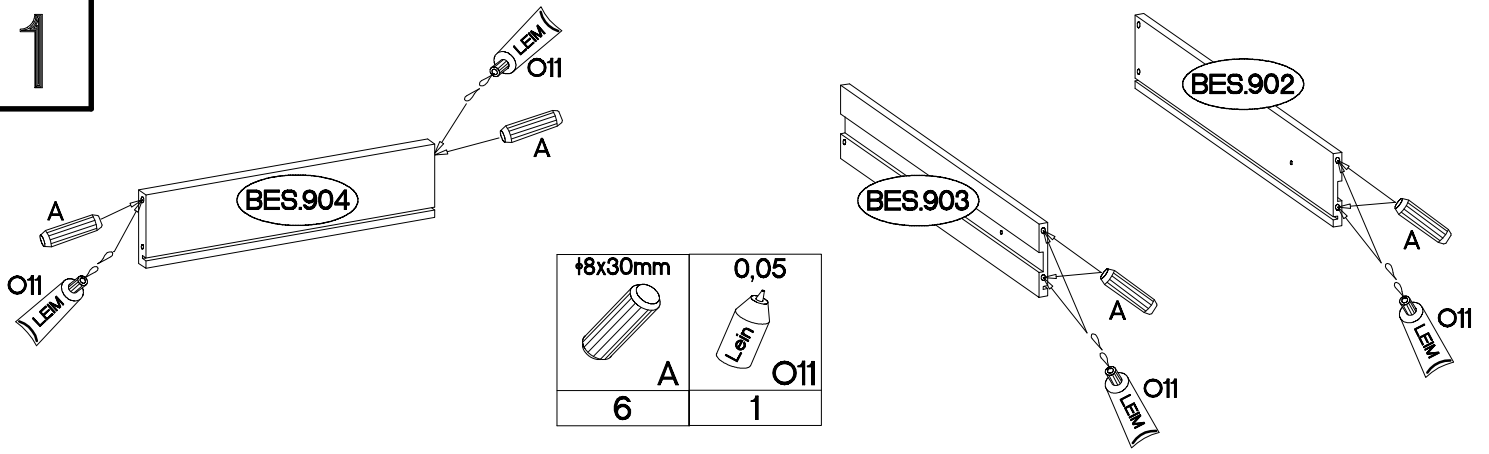
Coli	Ersatzteil Nummer	Dimension	Coli	Ersatzteil Nummer	Dimension
1/2	BES.103	808x384x15	2/2	BES.402 x2	520x361x15
	BES.104	808x384x15		BES.604 x2	817x531x2,5
	BES.204 x2	1536x402x15		BES.605	817x448x2,5
	BES.302	433x347x15		BES.701	539x140x15
	BES.503	808x362x15		BES.704	539x373x15
	BES.504	808x362x15		BES.705	539x140x15
	BES.606	412x326x2,5		BES.706	539x373x15
	BES.902	330x100x12		BES.707	446x659x15
	BES.903	330x100x12		BES.708	446x140x15
	BES.904	402x100x12		BES.801 x2	330x538x4



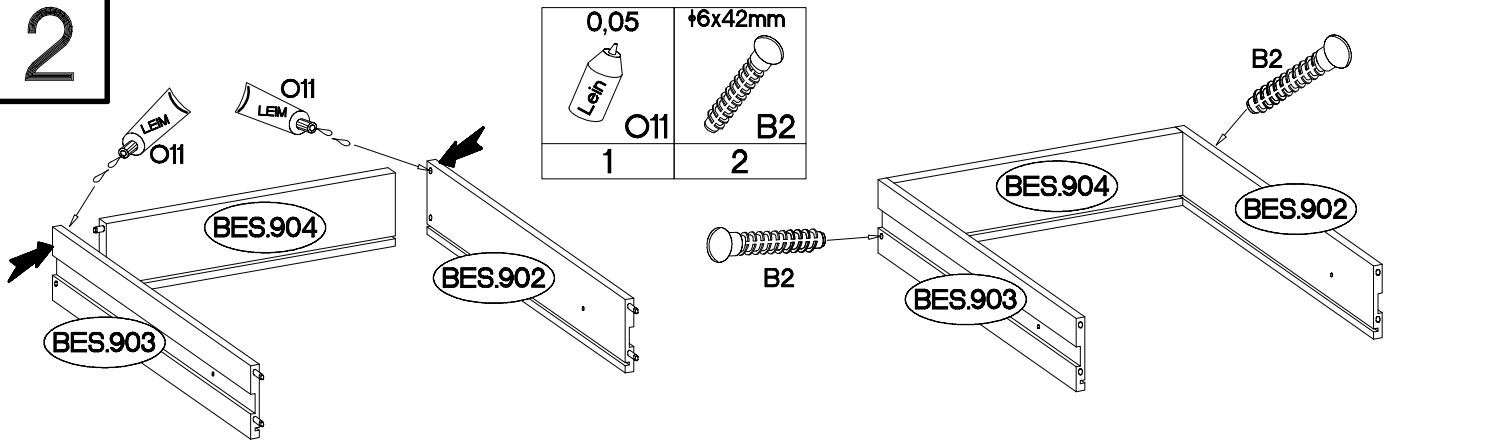
	L2	10
	G1	L9
2	1	
	+35/9mm	
	L=128mm	+10x50mm
8	4	1
	R2	O7
6	6	2
	+4.0x30mm	+6x42mm
6	2	1
	P14	B2
6	6	2
	F10	U1
16	4	2
	+3.0x20mm	
4	1	4
	M2	J3
6	1	4
	+6,3x13mm	L
24	4	10
	L=20mm	
24	6	8
	+15/12mm	H=0
30	4	17
	+8x30mm	+3.5x13mm
24	6	1
	L=20mm	O11
24	6	1
	+35/0mm	
24	8	
	H=0	
24	17	
	+3.5x13mm	
24	1	
	O11	
24	1	

ISM-BES-02

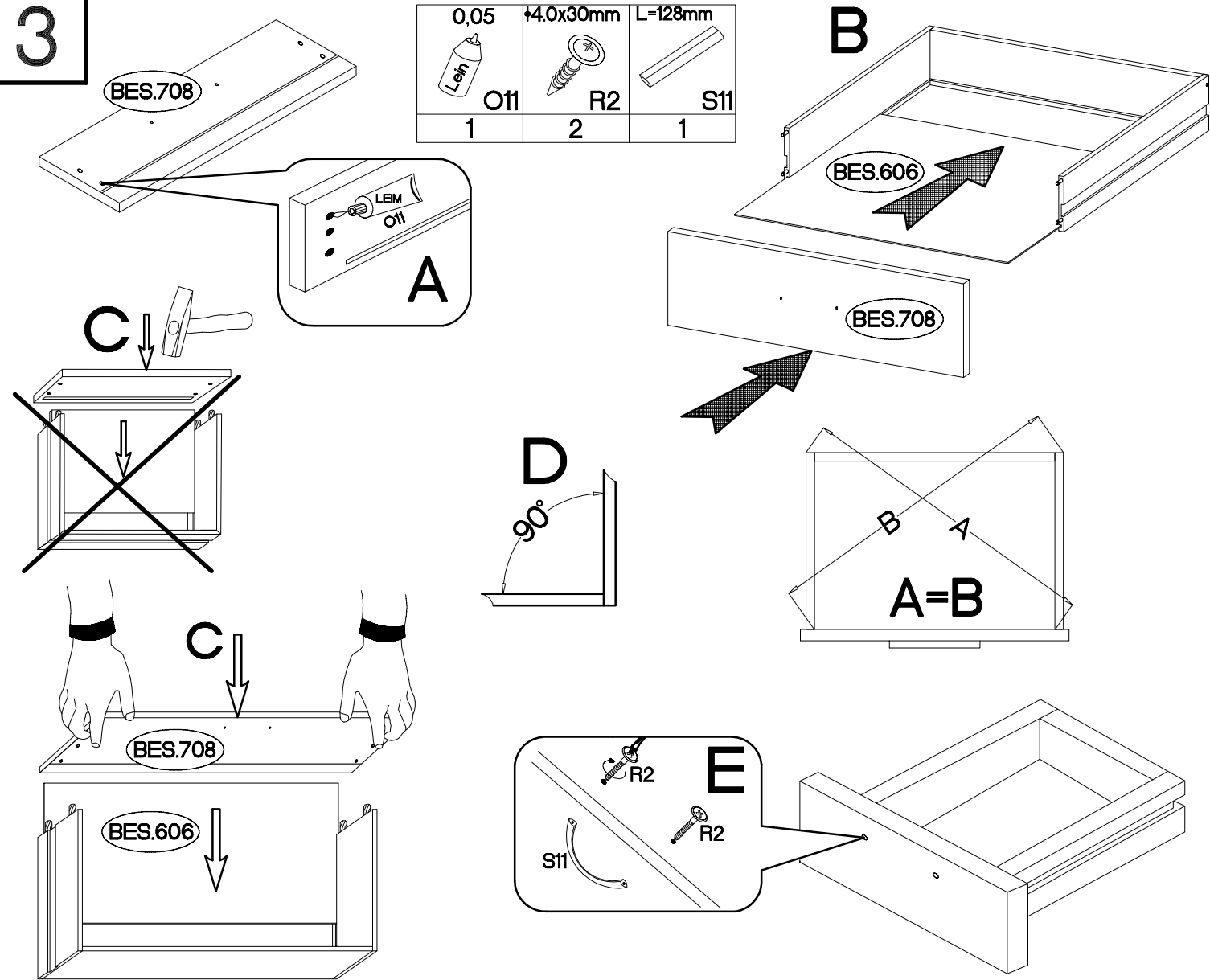
1





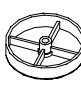




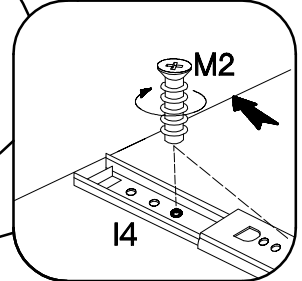
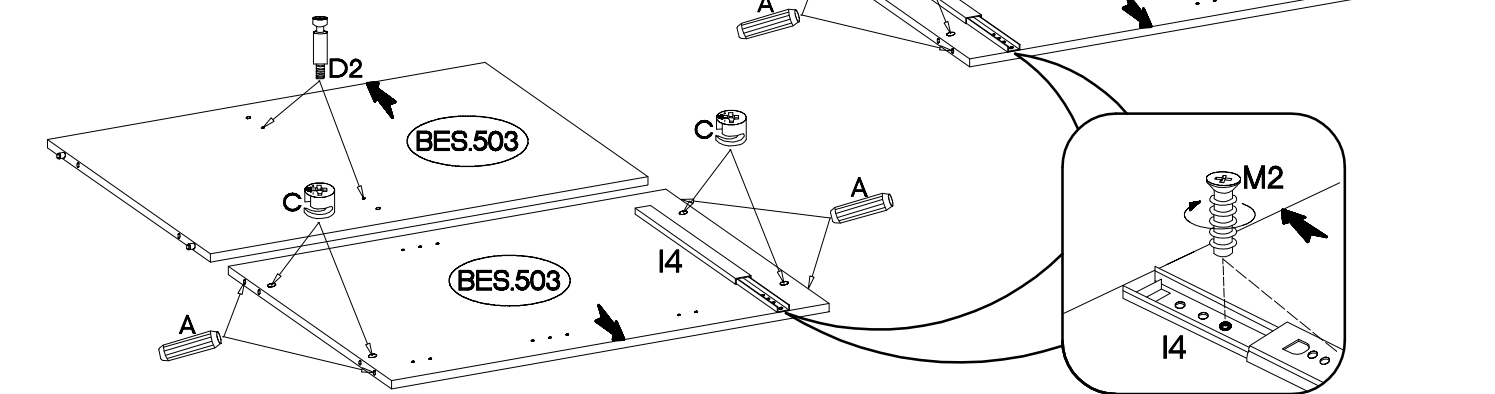
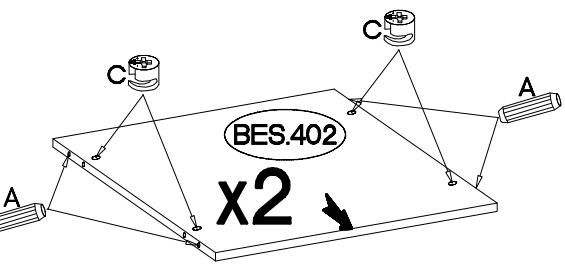
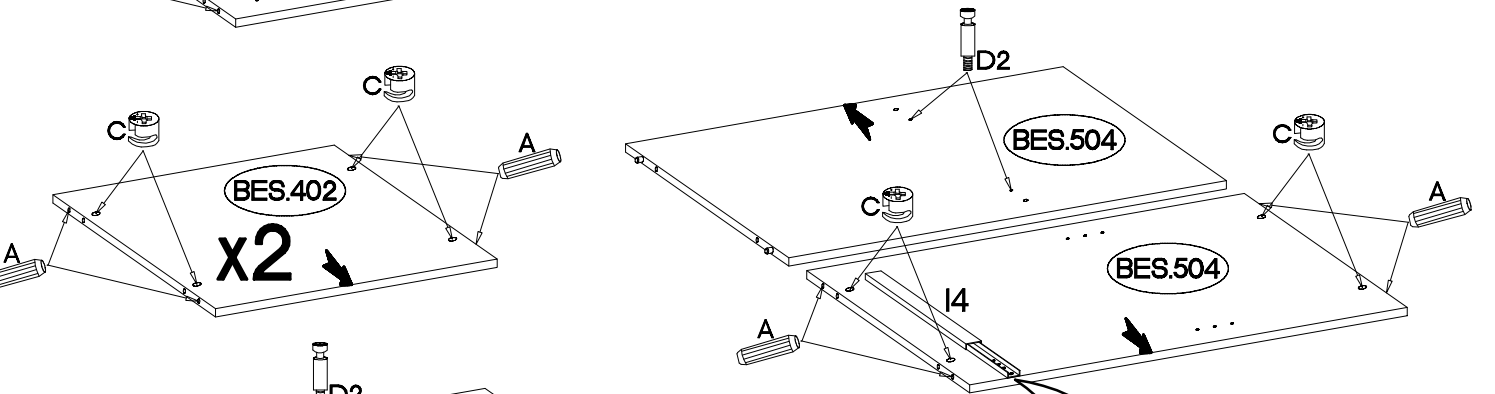
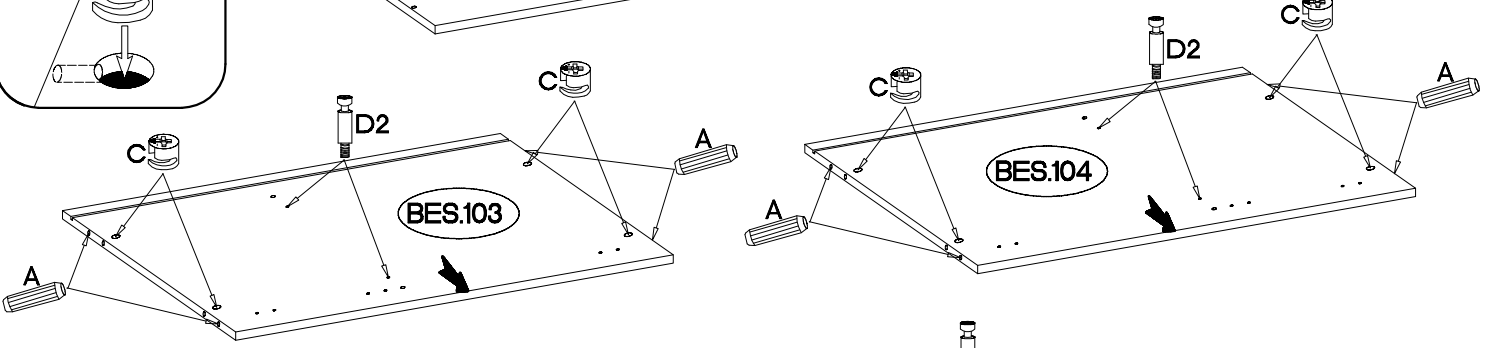
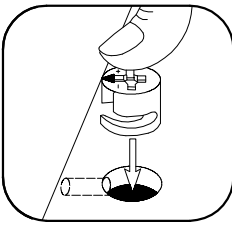
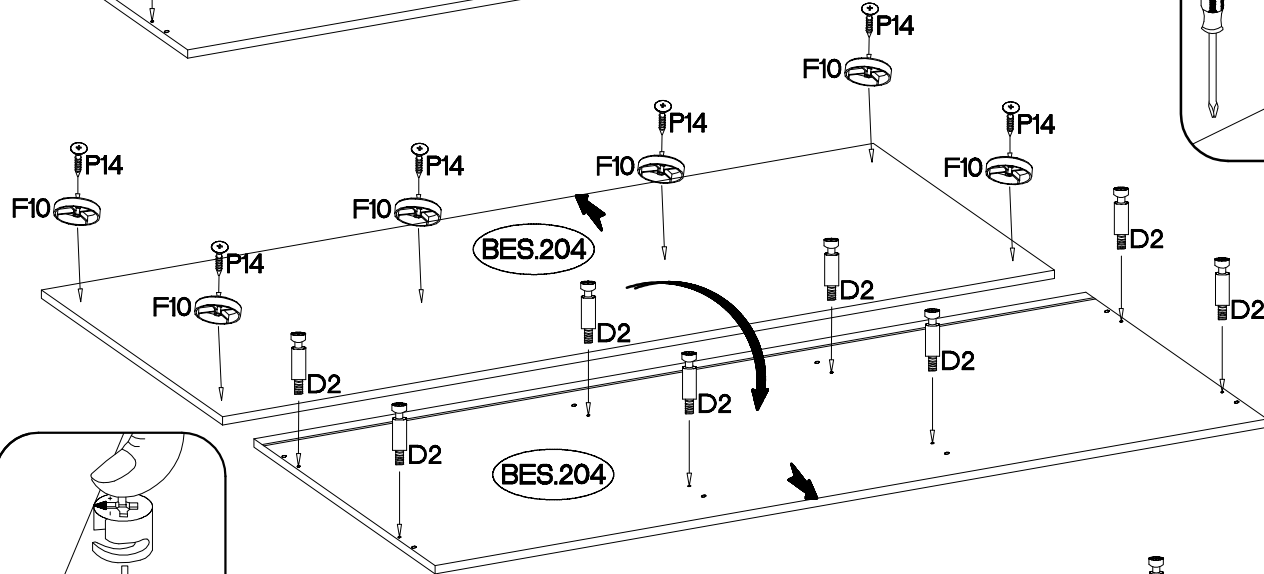
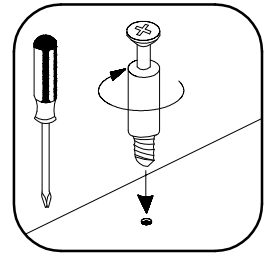
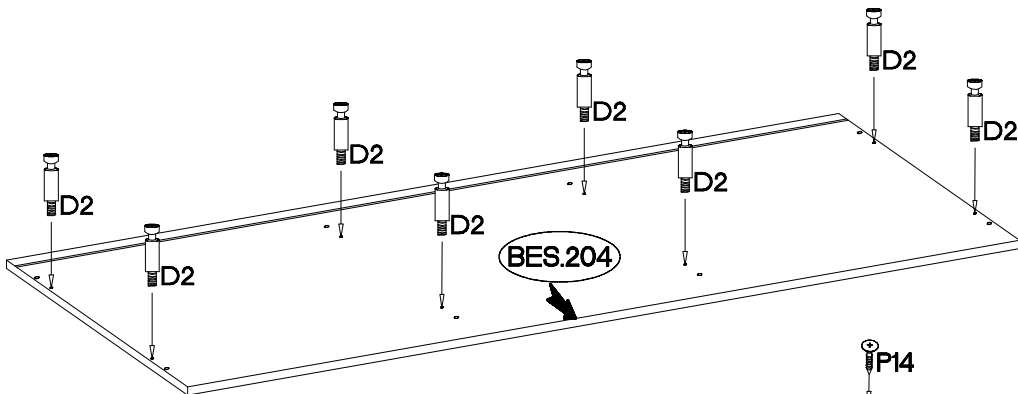
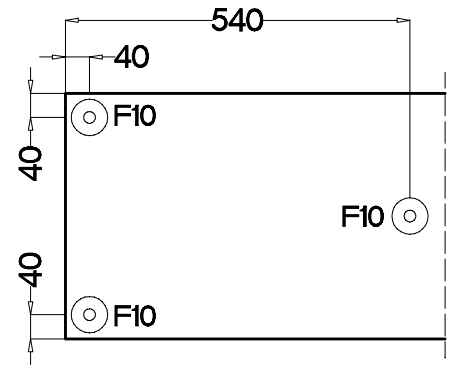
2



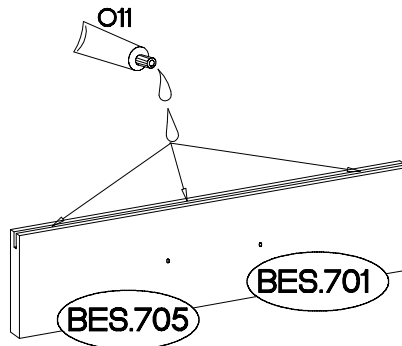
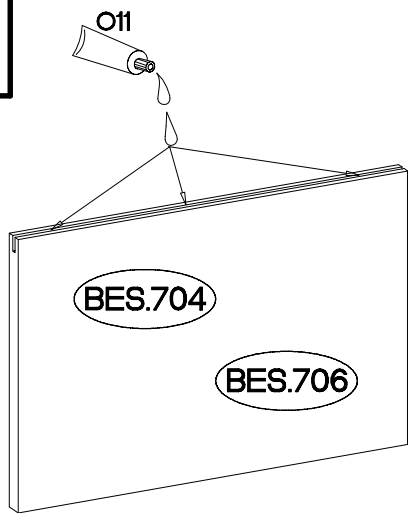
3



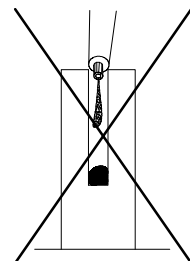
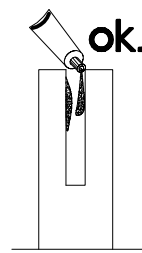
±15/12mm	±8x30mm	L=20mm	±4.0x25mm		±6,3x13mm	27/310mm
						
C	A	D2	P14	F10	M2	I4
24	24	24	6	6	4	1



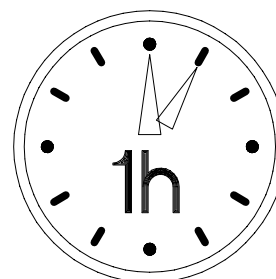
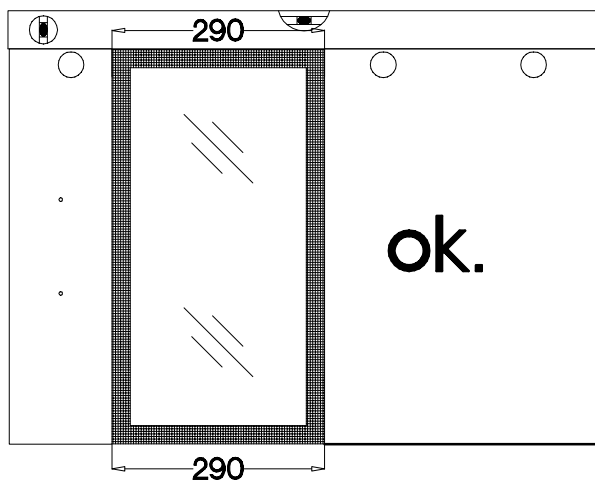
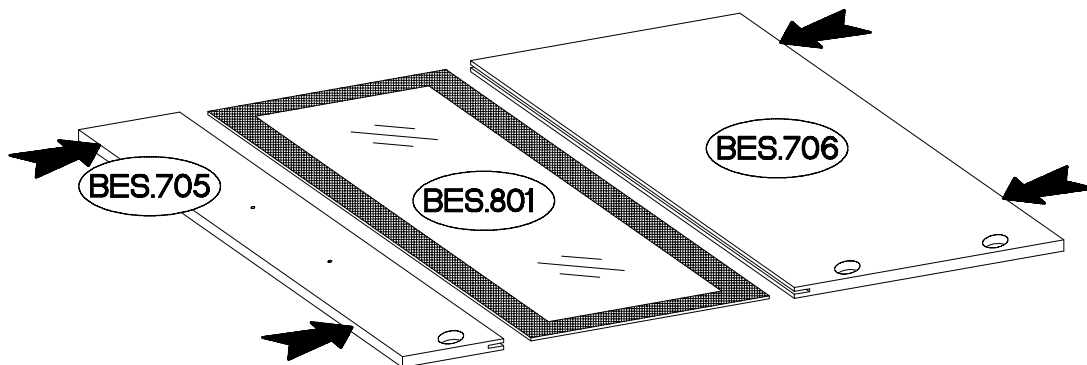
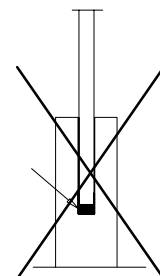
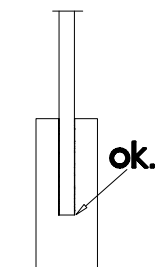
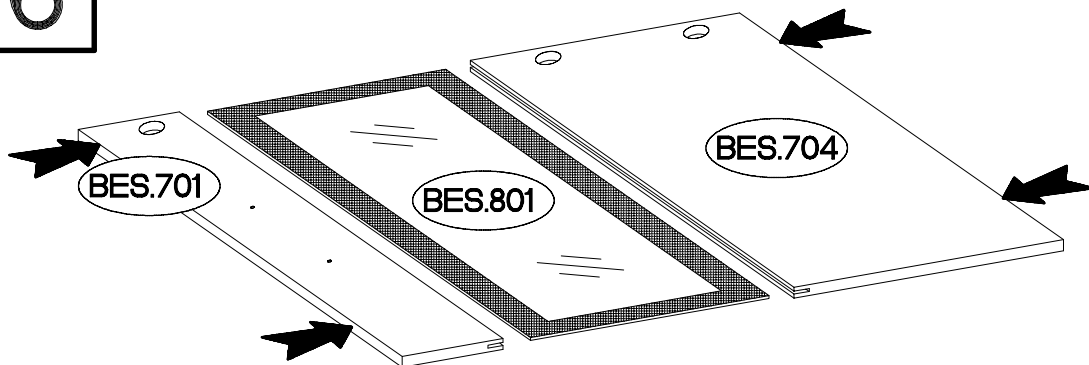
5



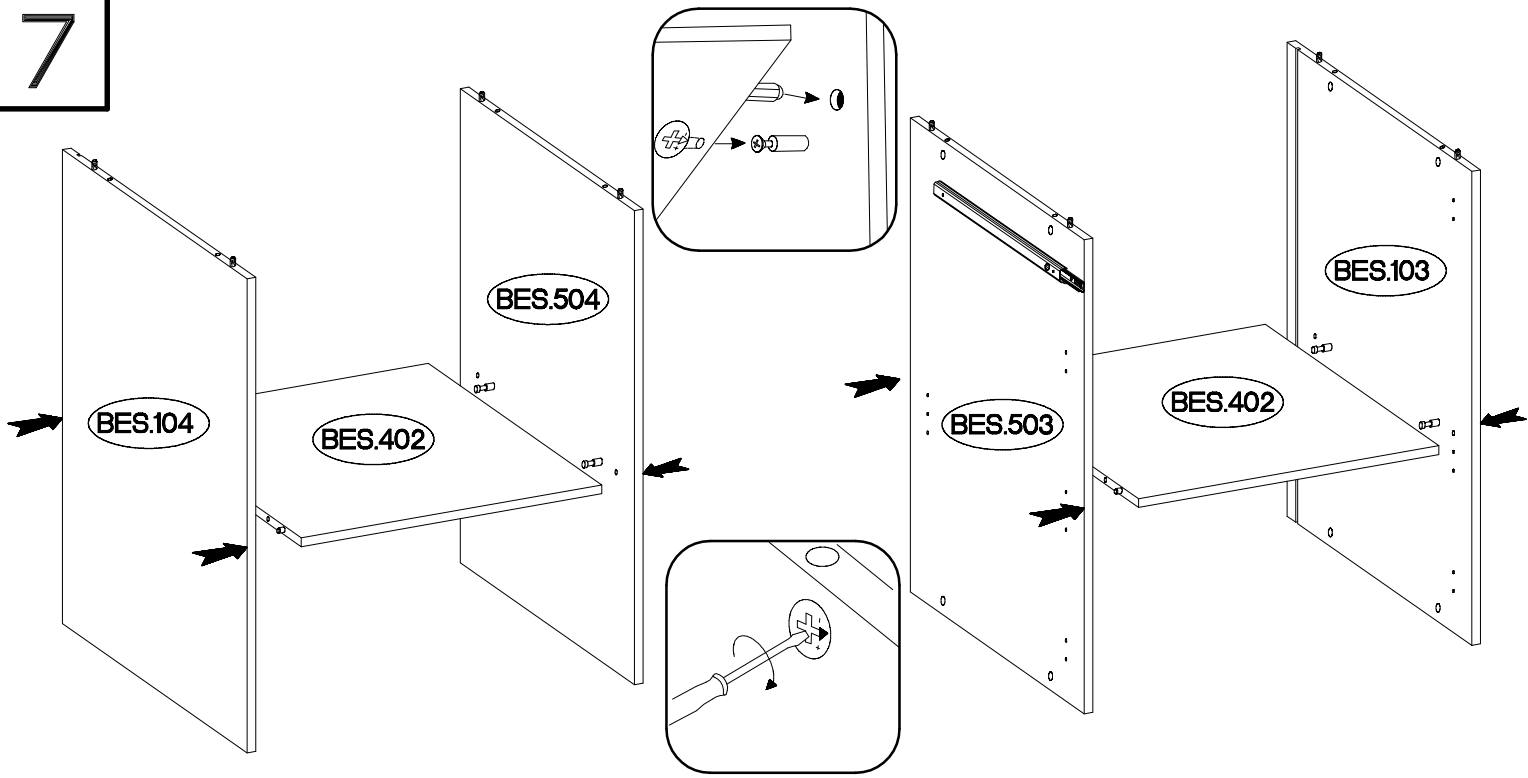
0,05
O11
1



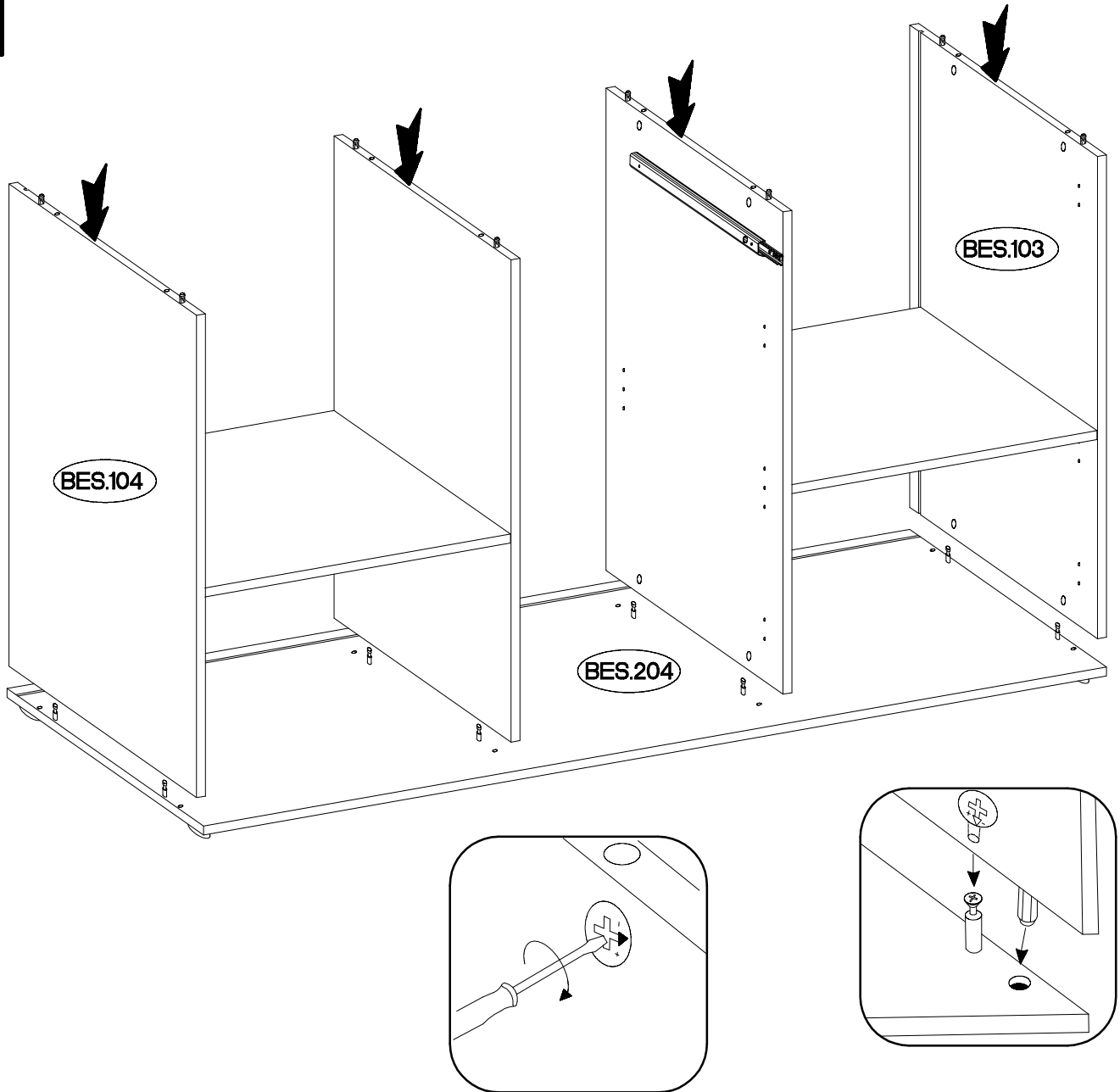
6



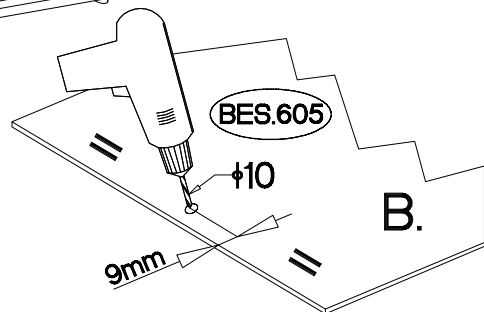
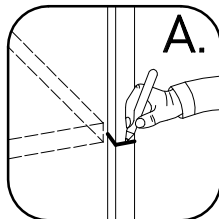
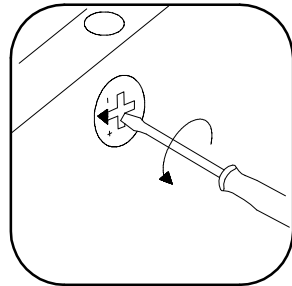
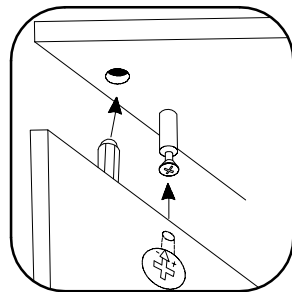
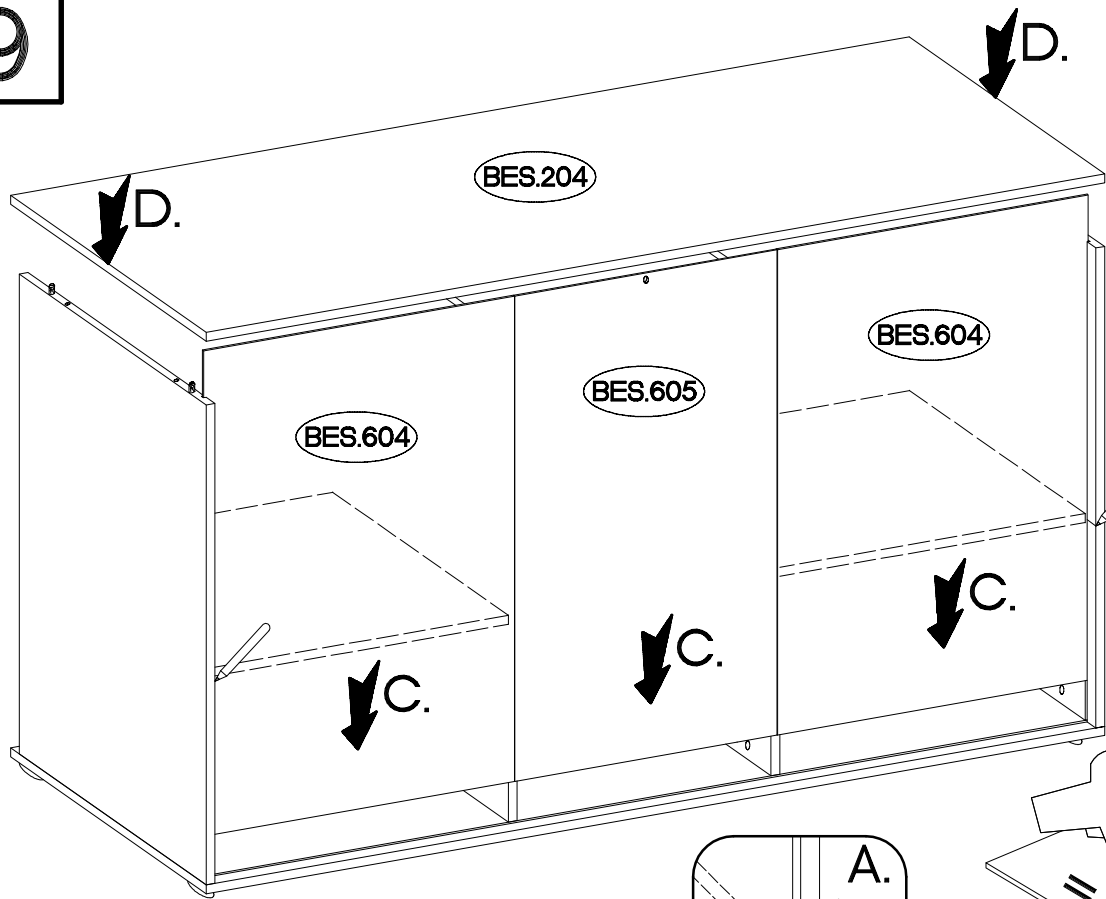
7



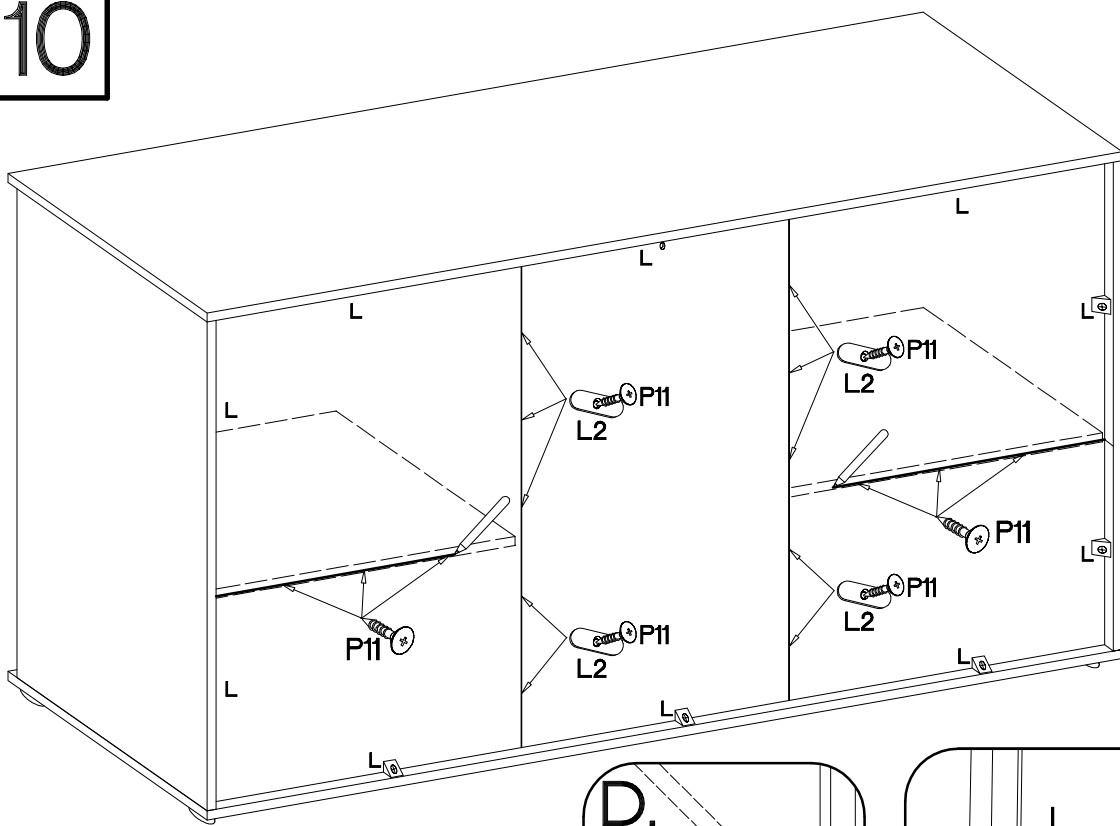
8



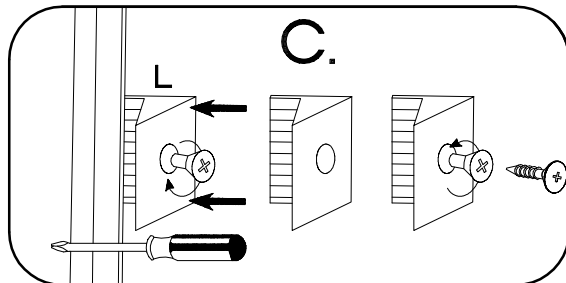
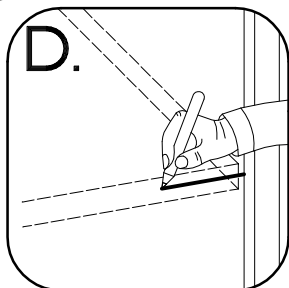
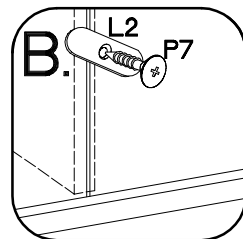
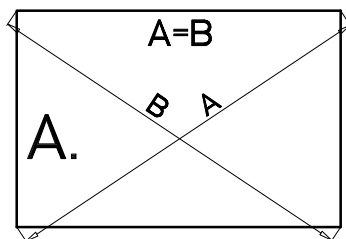
9



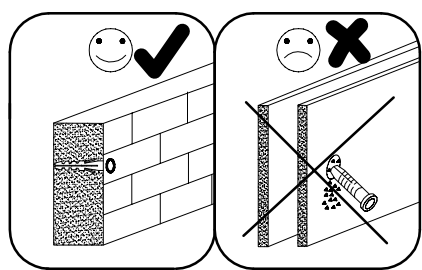
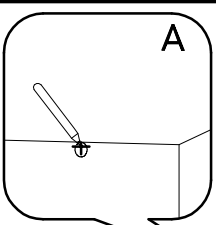
10



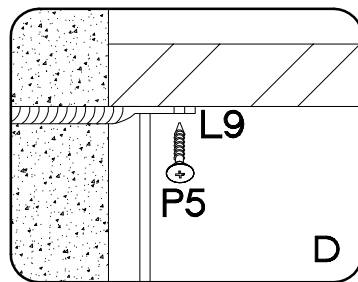
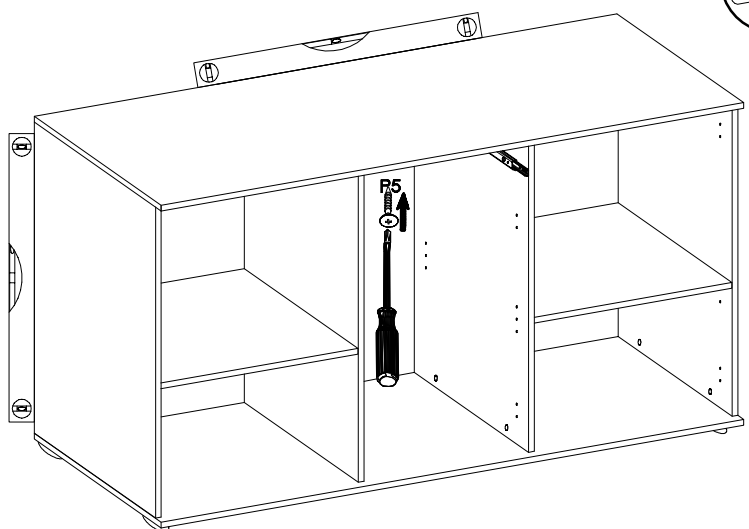
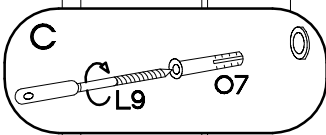
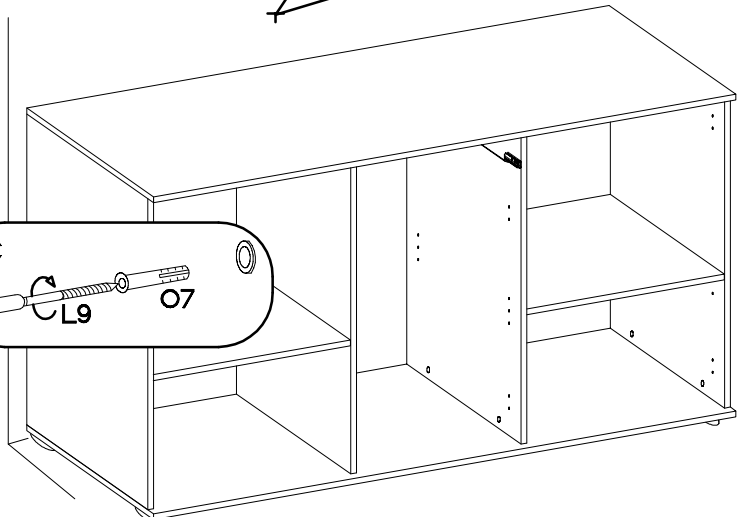
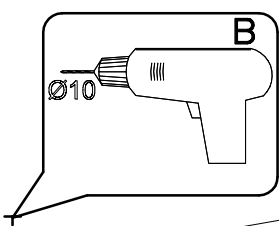
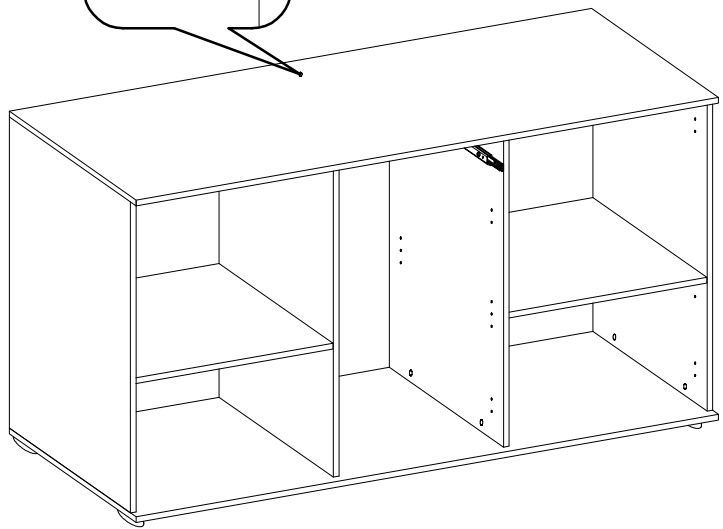
$\varnothing 3.0 \times 20 \text{mm}$		
P7	L2	L
16	10	10



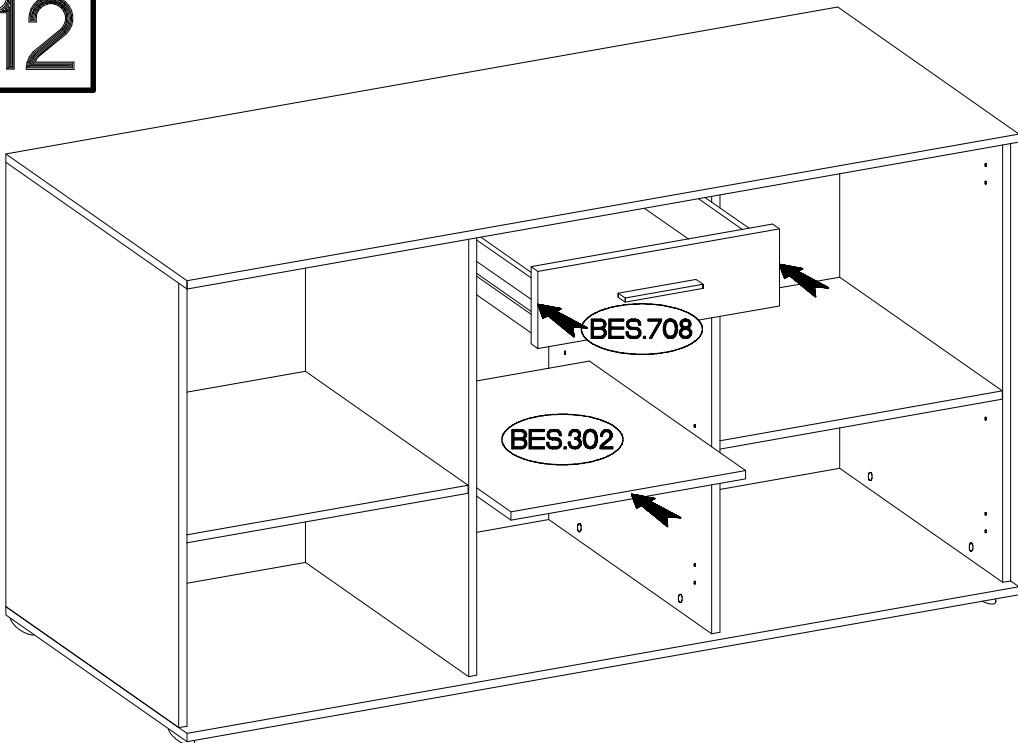
11



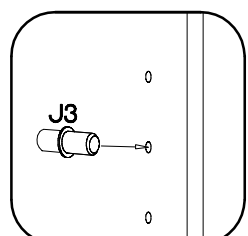
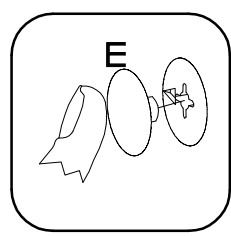
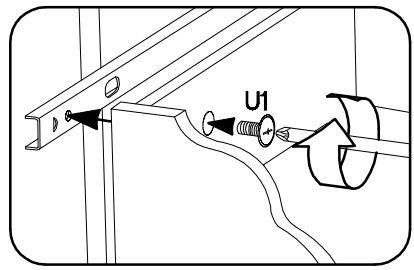
	$\pm 3.5 \times 13 \text{mm}$
L9	P5
1	1
	$\pm 10 \times 50 \text{mm}$
	O7
	1



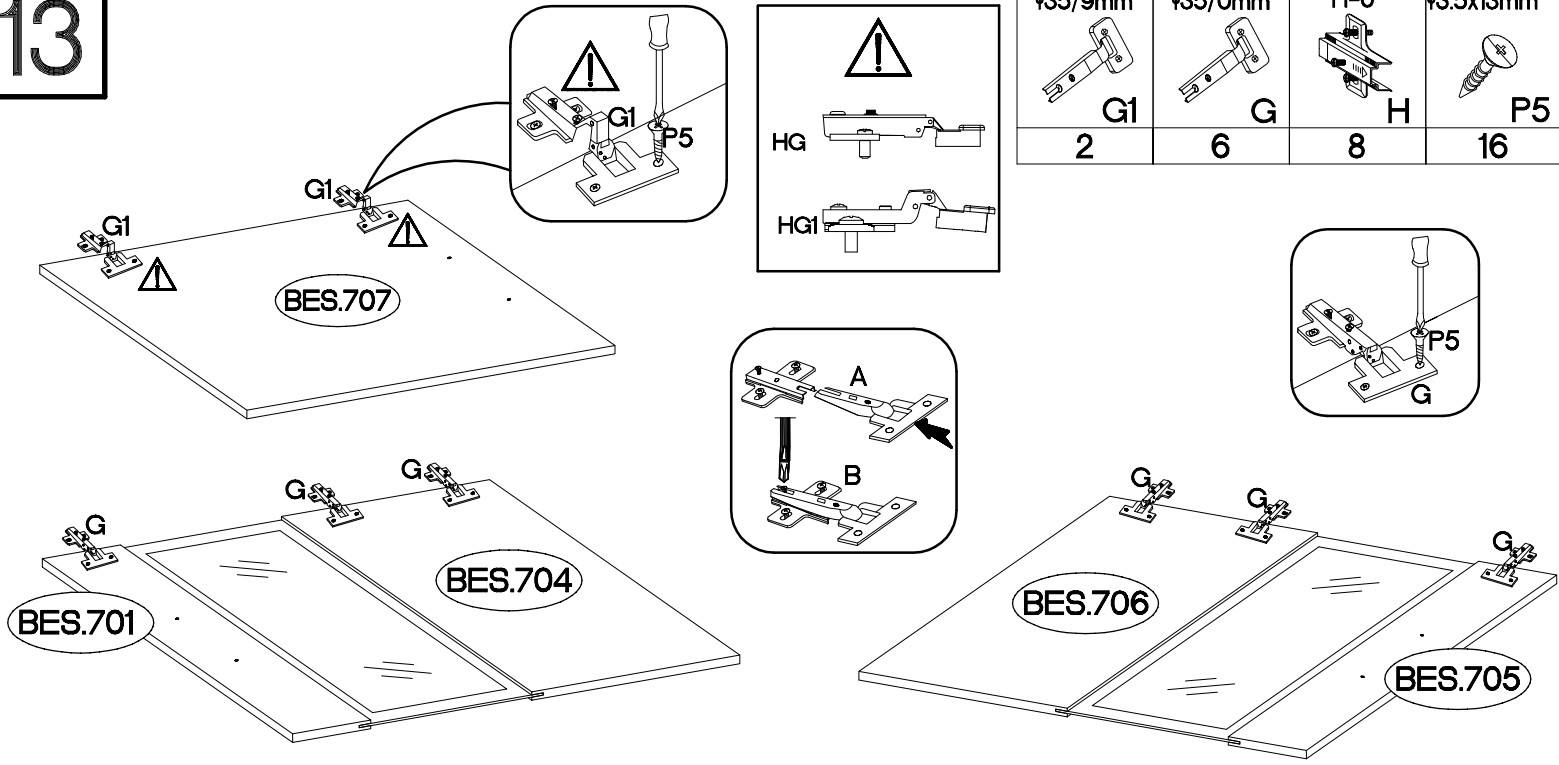
12



		M4x9mm
E	J3	U1
24	4	2

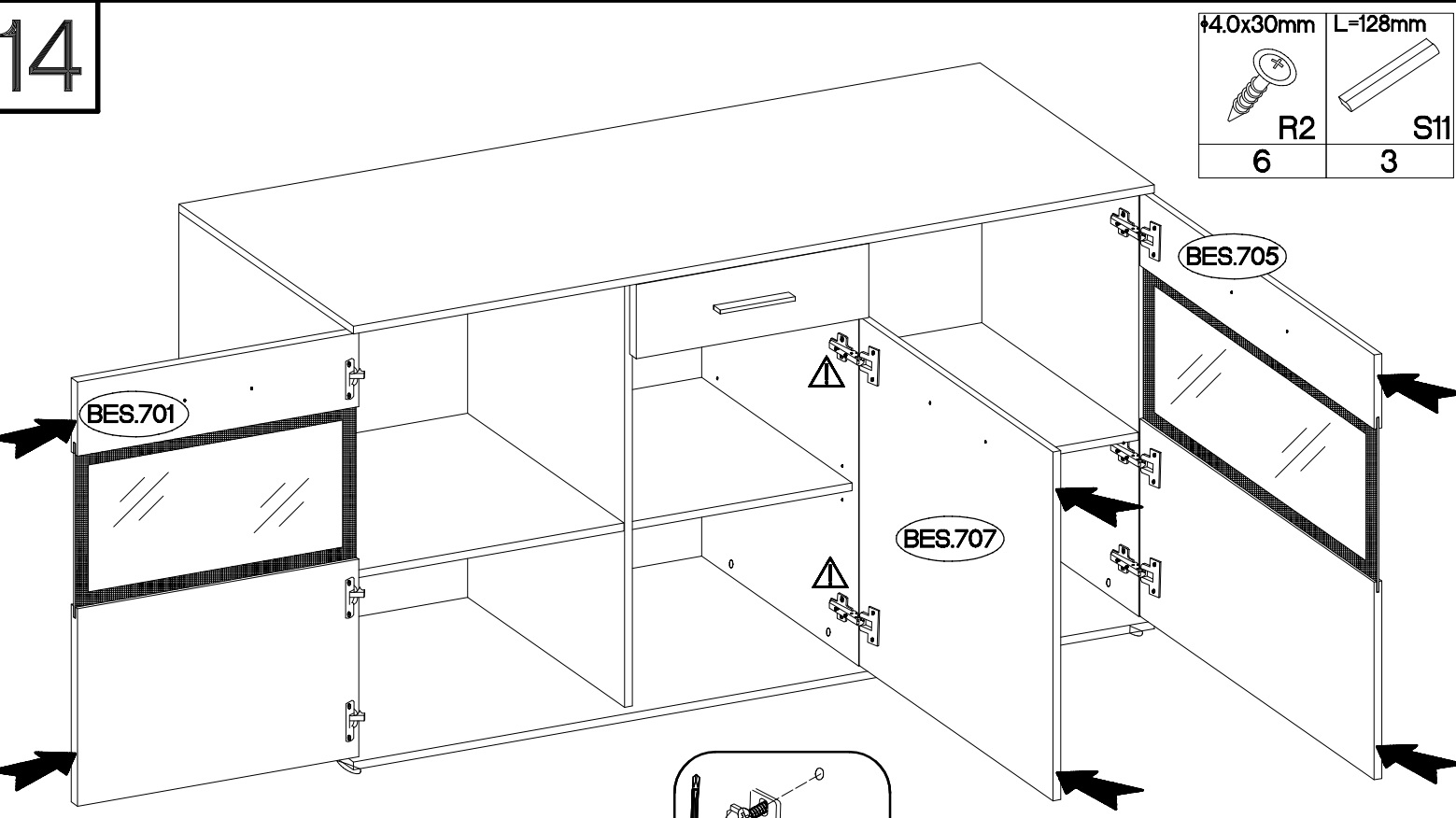


13



±35/9mm G1 2	±35/0mm G 6	H=0 H 8	±3.5x13mm P5 16
--------------------	-------------------	---------------	-----------------------

14



±4.0x30mm R2 6	L=128mm S11 3
----------------------	---------------------

