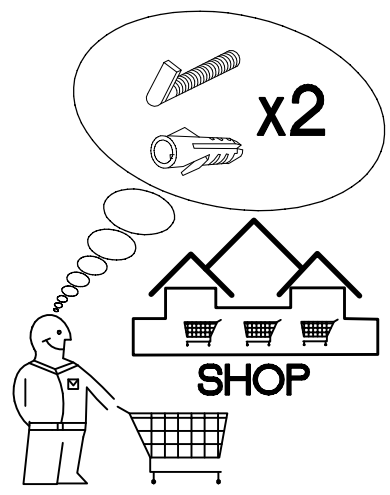
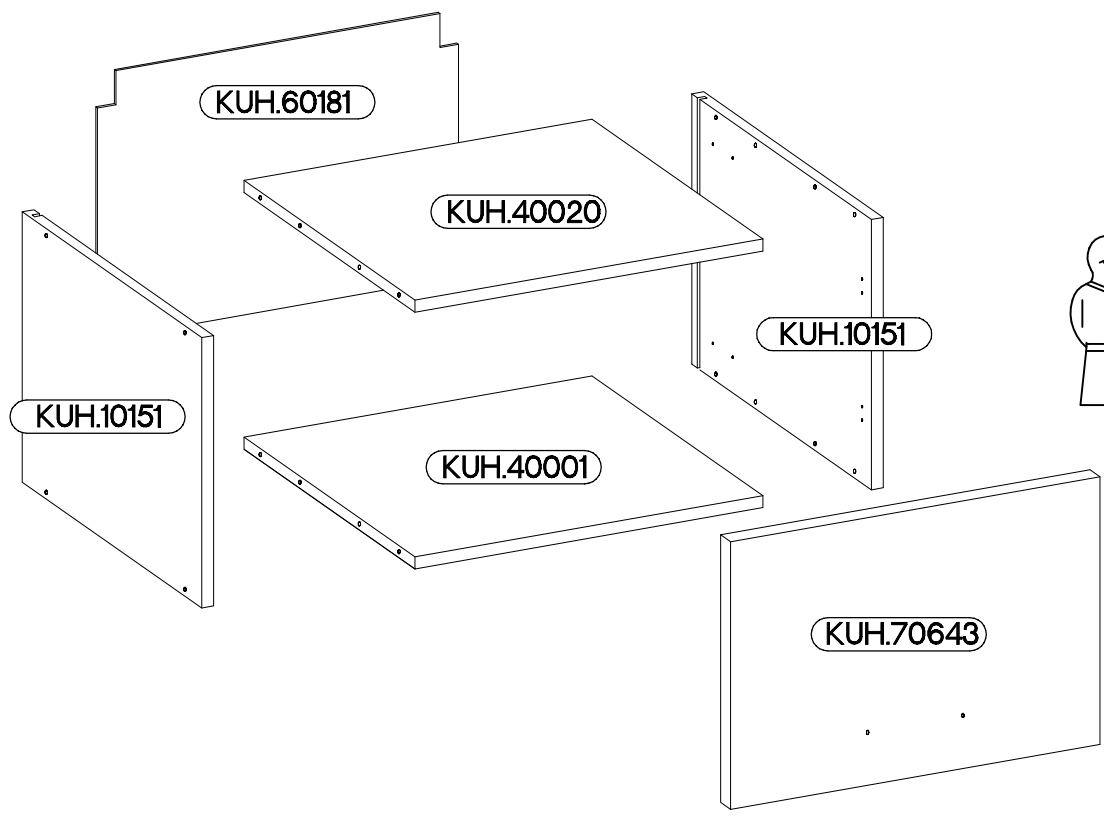
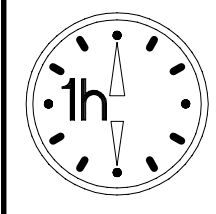
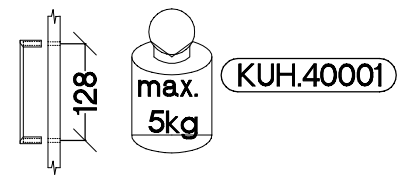
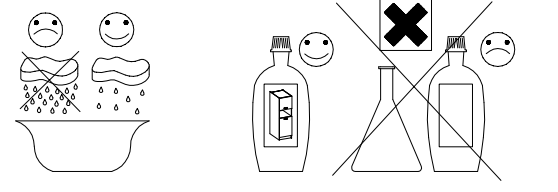
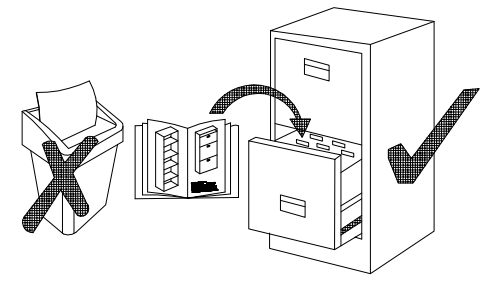


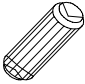
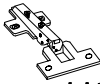


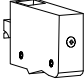
50 GU-36

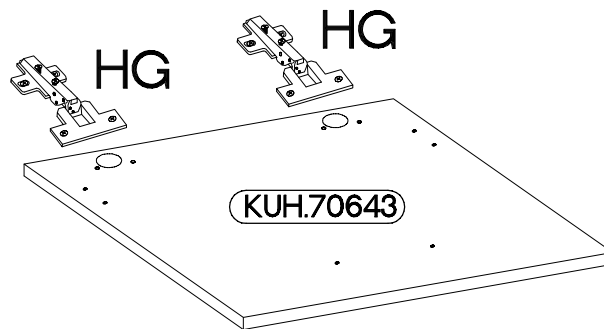
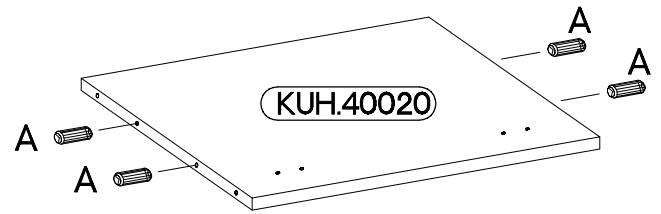
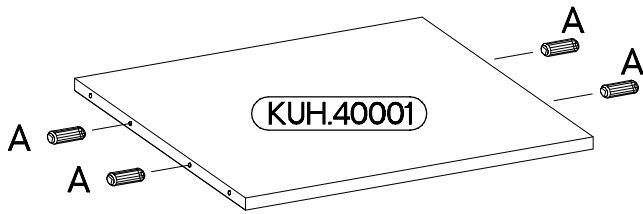
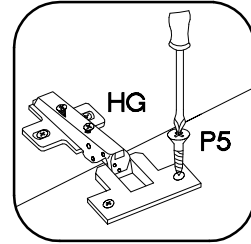
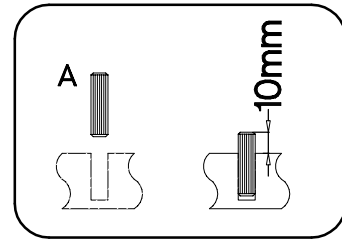
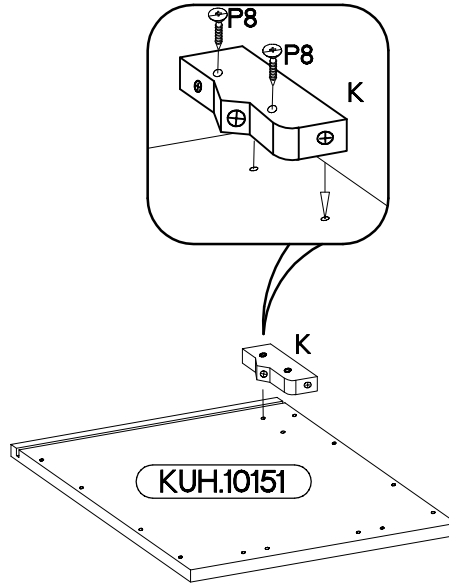
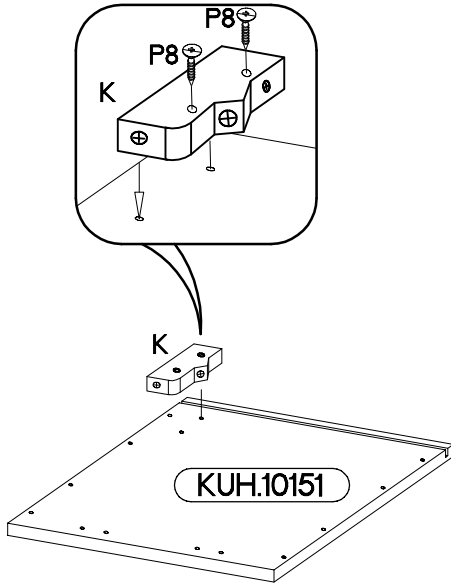
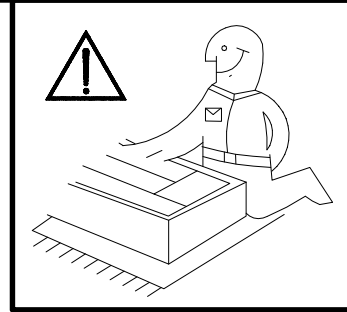


 ±8x30mm A 8	 6,4 x 50mm B 8	 E1 8	 ±35/0mm HG 2	 K 2	 K24 2
 O 1	 ±3.5x13mm P5 4	 ±3.0x20mm P7 8-10	 ±4.0x30mm P8 4	 S23 1	 M4x22mm U 2


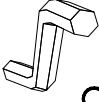



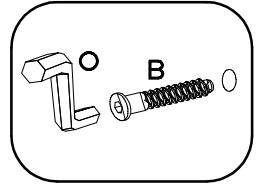
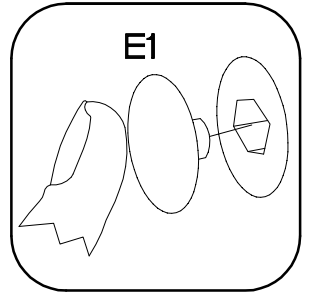
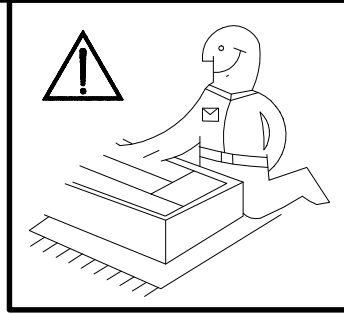
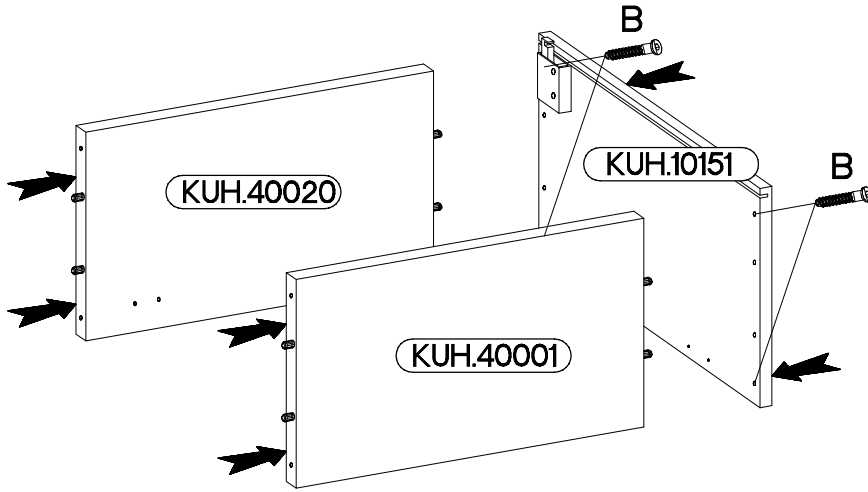
ISM-KUH-00922

±8x30mm  A 8	±35/0mm  HG 2	±3.5x13mm  P5 4	±4.0x30mm  P8 4	 K 2
---	--	--	--	--


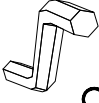



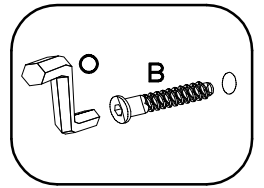
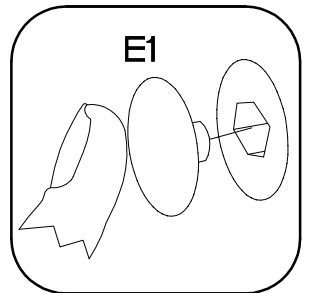
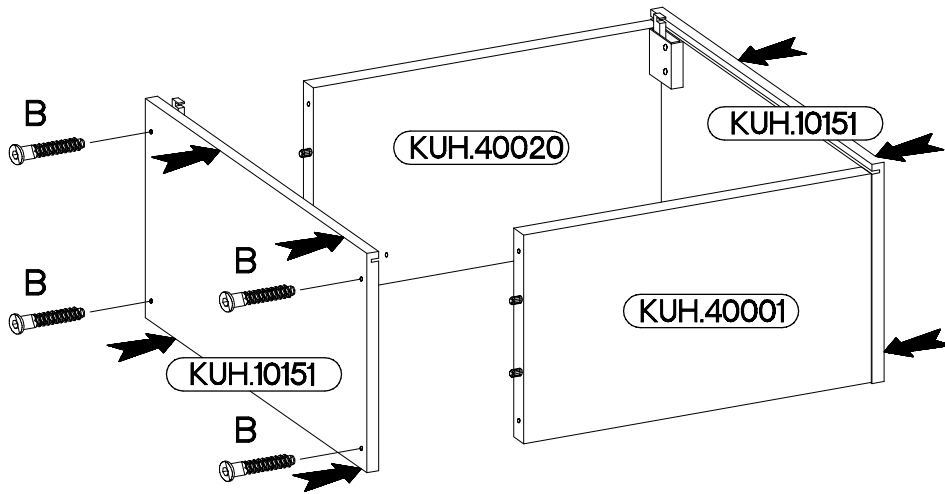
2

6,4 x 50mm		
		
B	O	E1
4	1	4

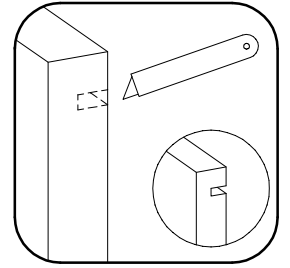
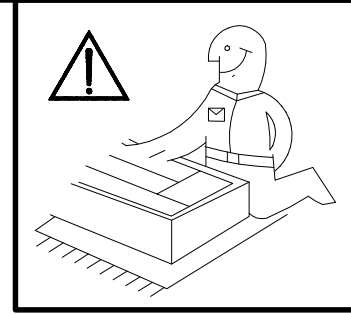
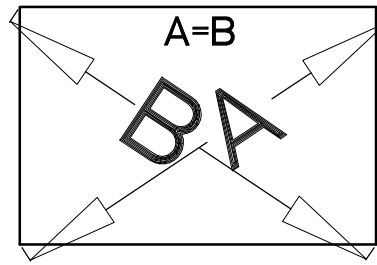
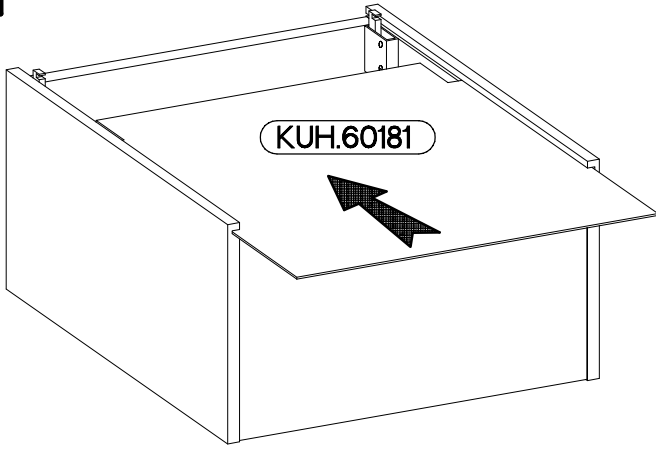


3

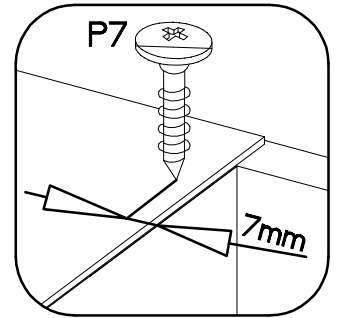
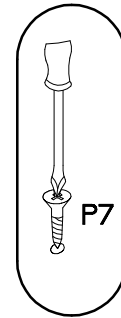
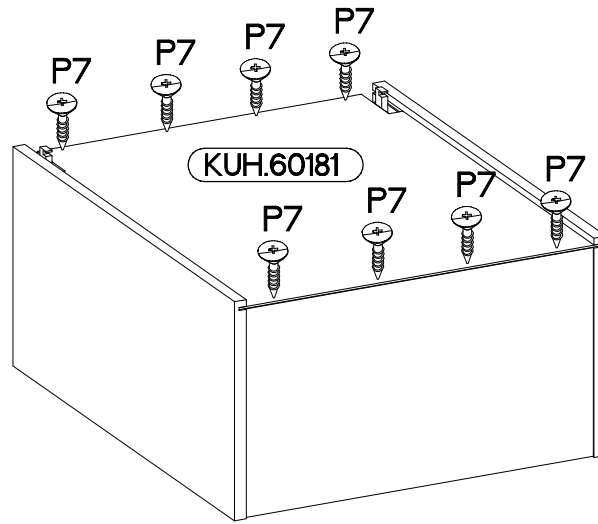
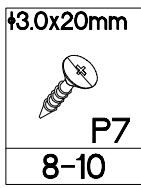
6,4 x 50mm		
		
B	O	E1
4	1	4



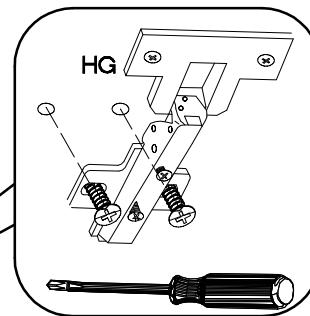
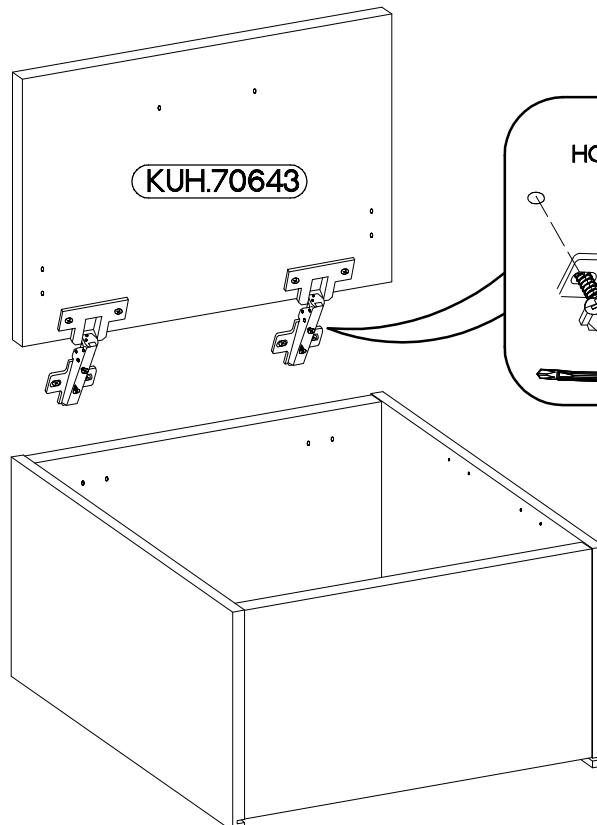
4



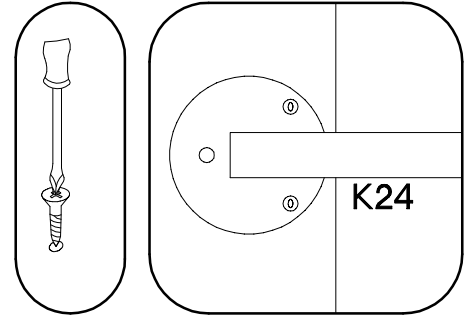
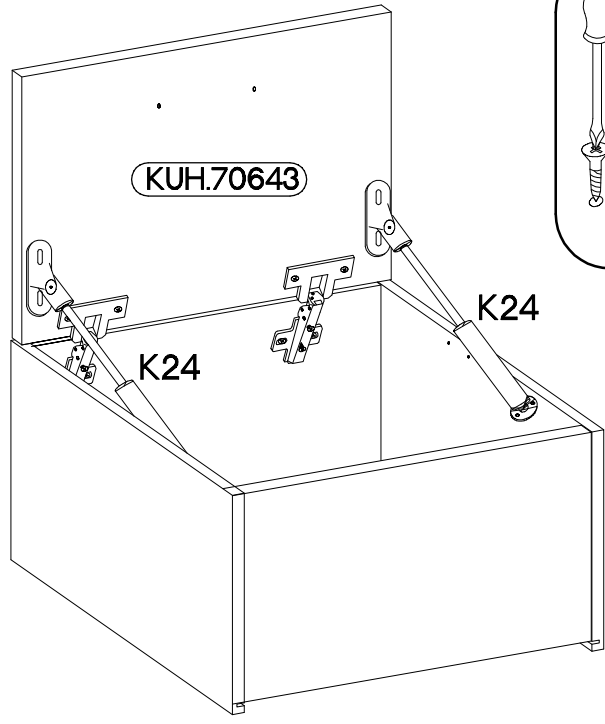
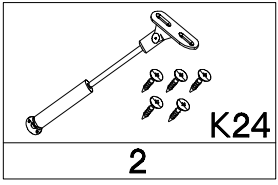
5



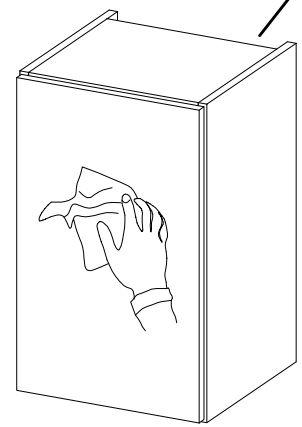
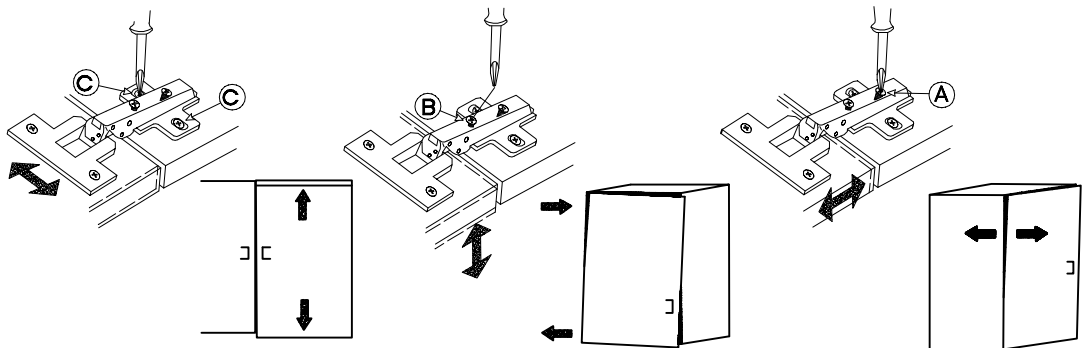
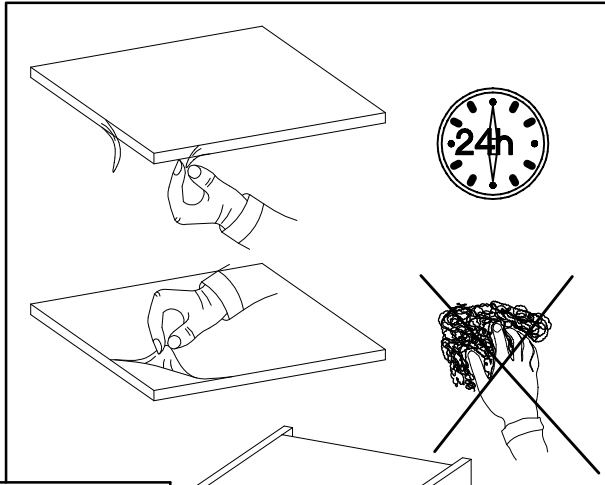
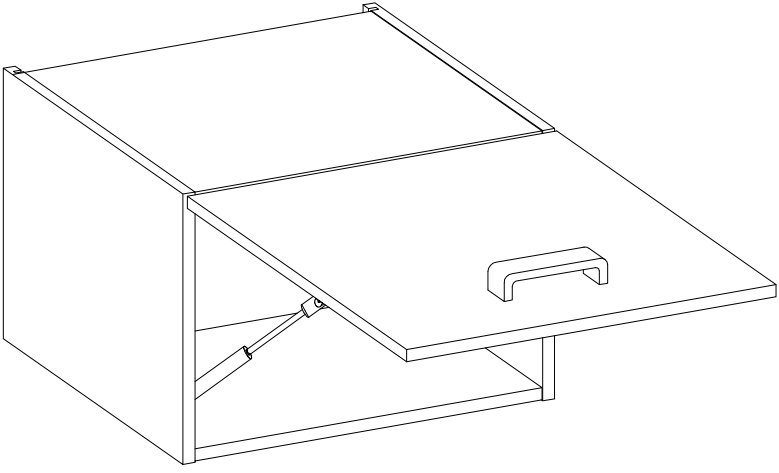
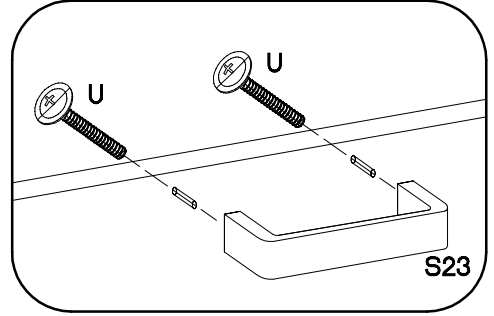
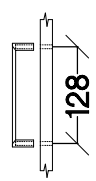
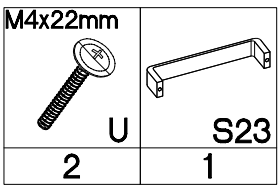
6

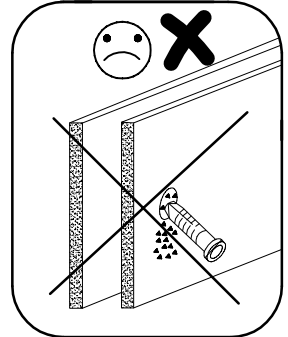
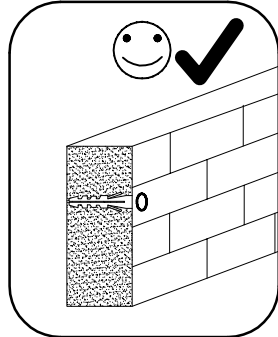
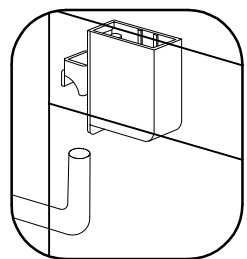
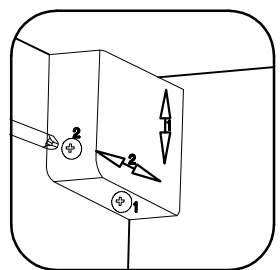
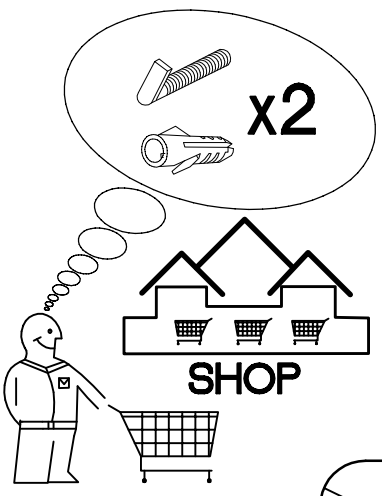
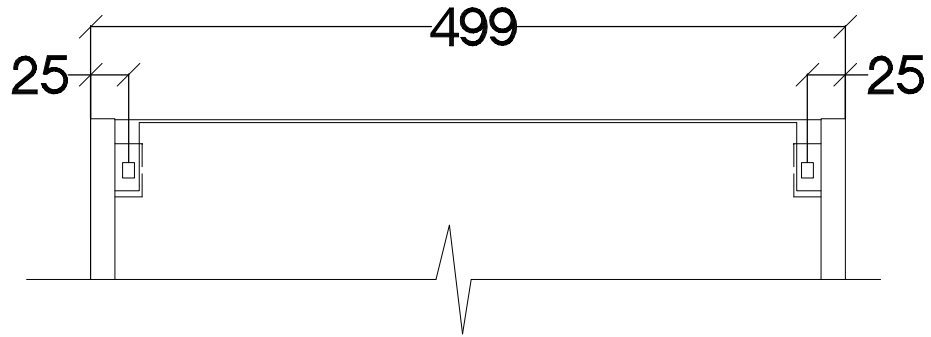
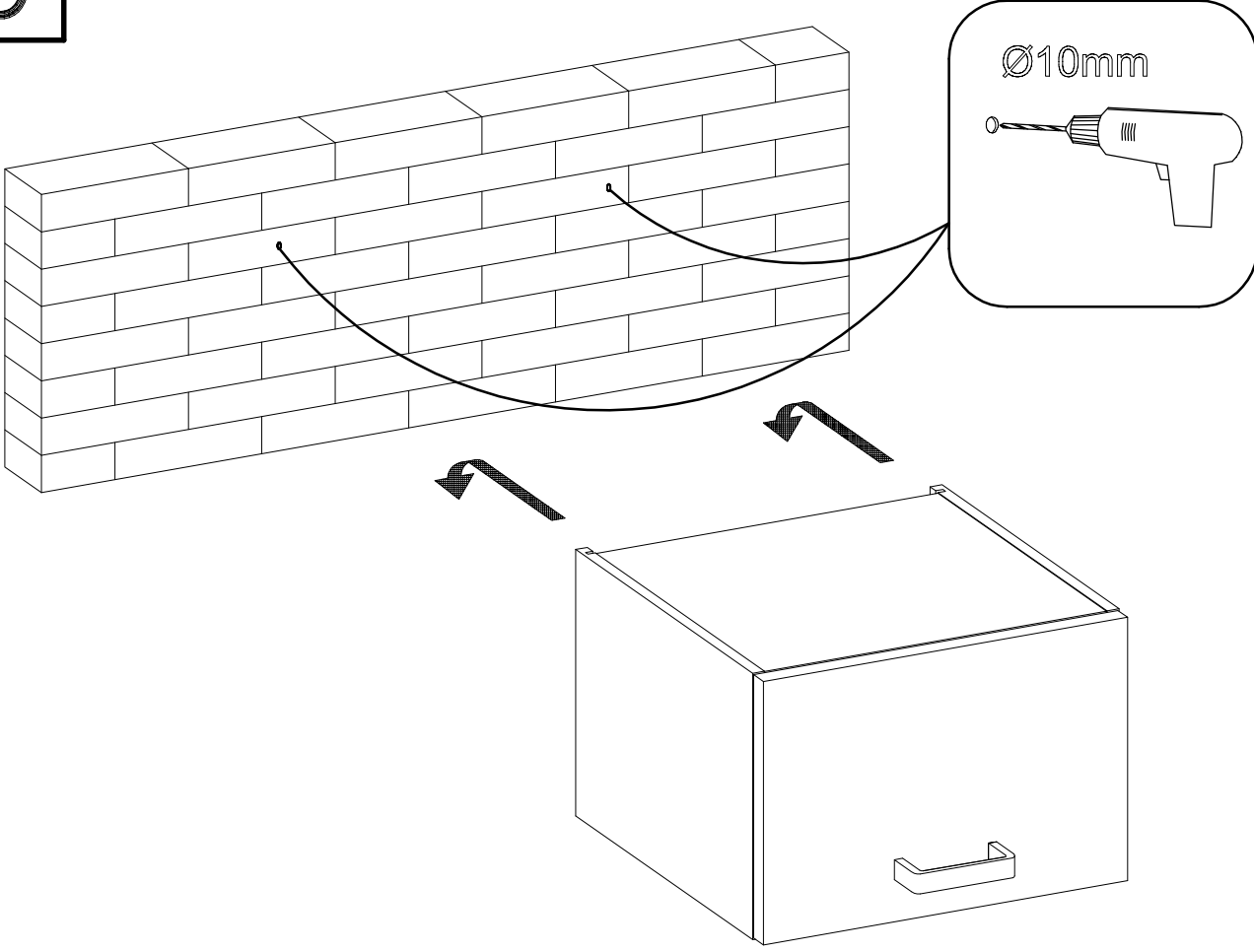


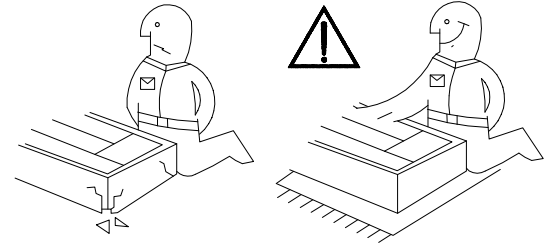
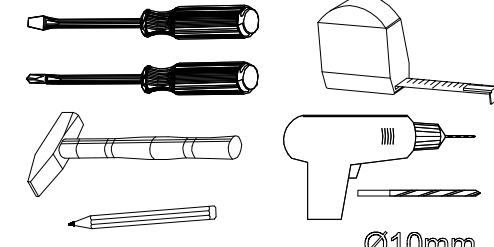
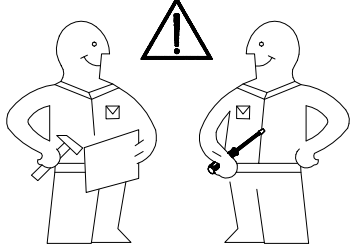
7



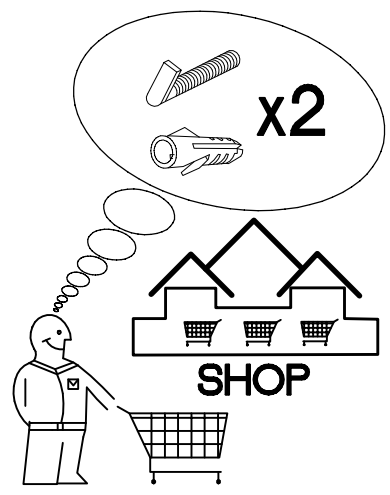
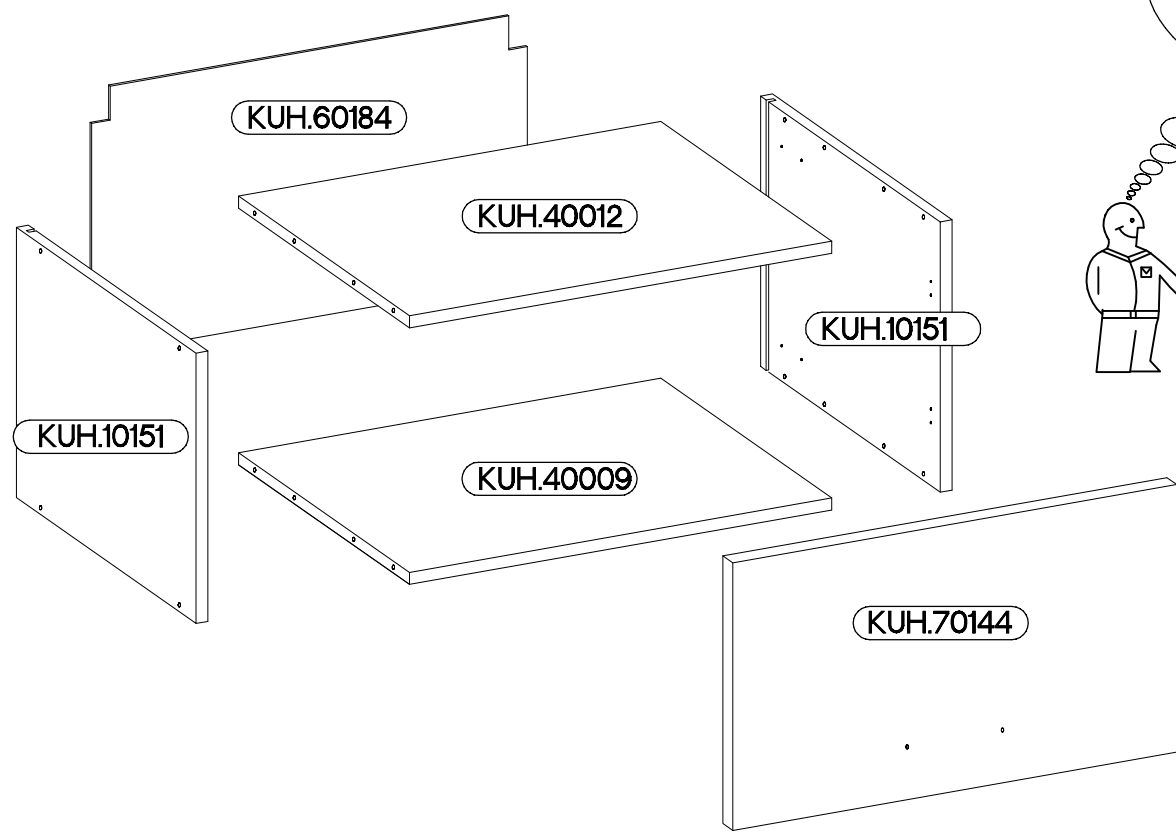
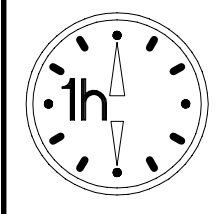
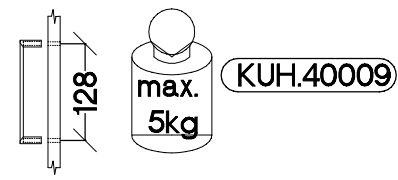
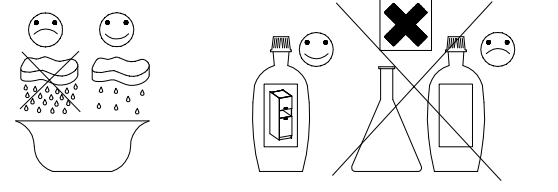
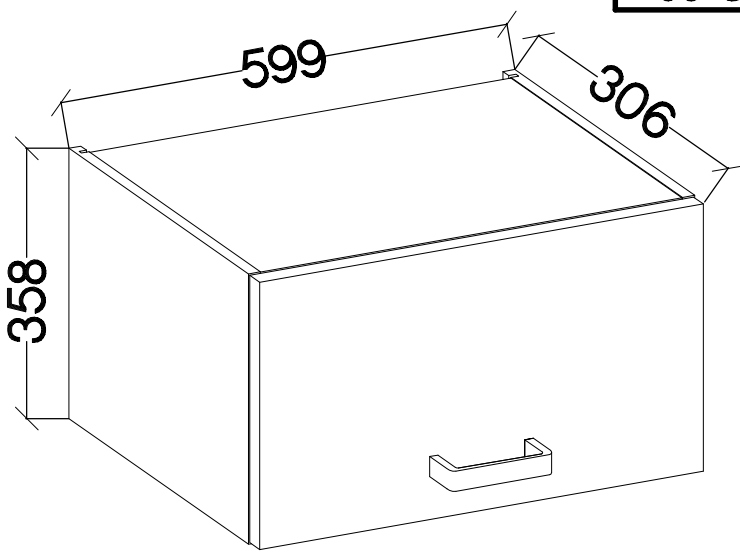
8



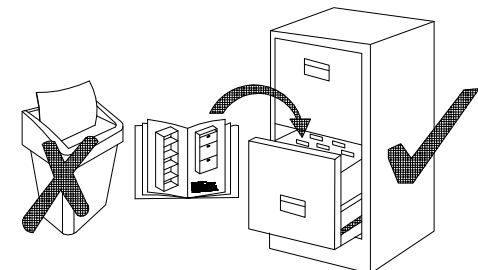




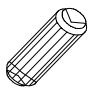
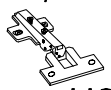

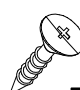
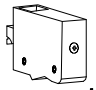
60 GU-36

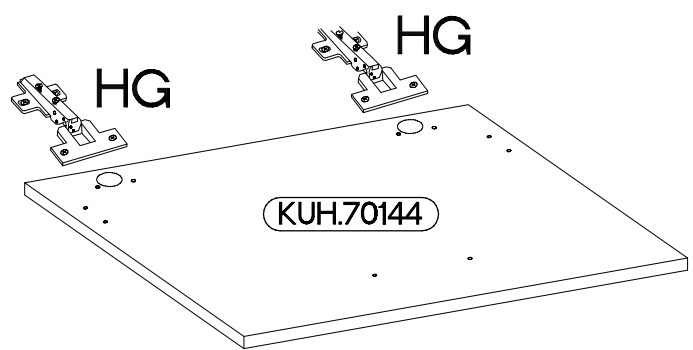
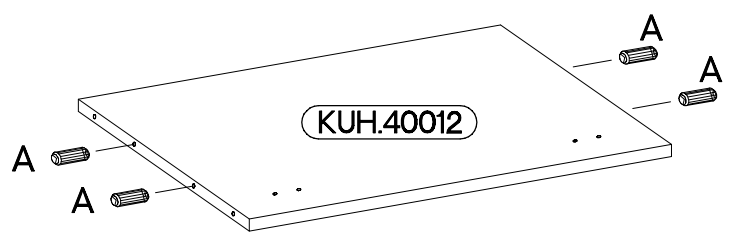
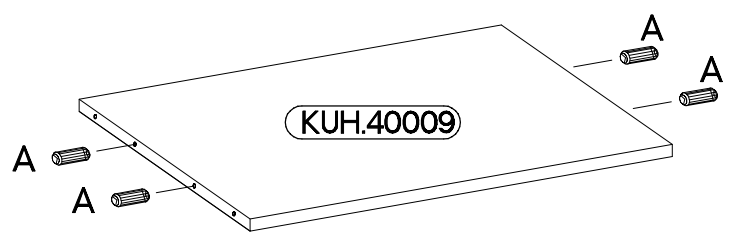
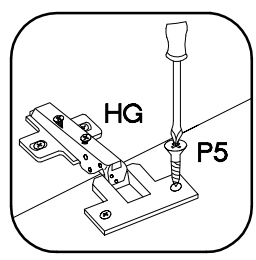
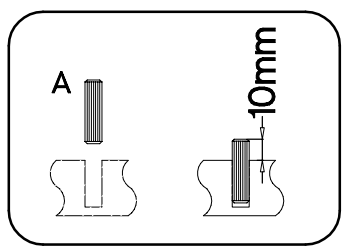
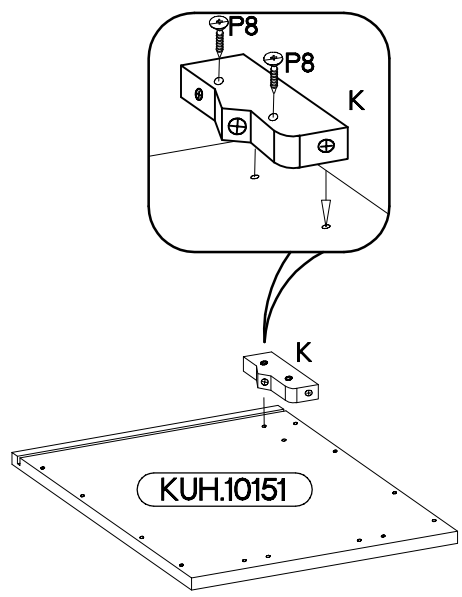
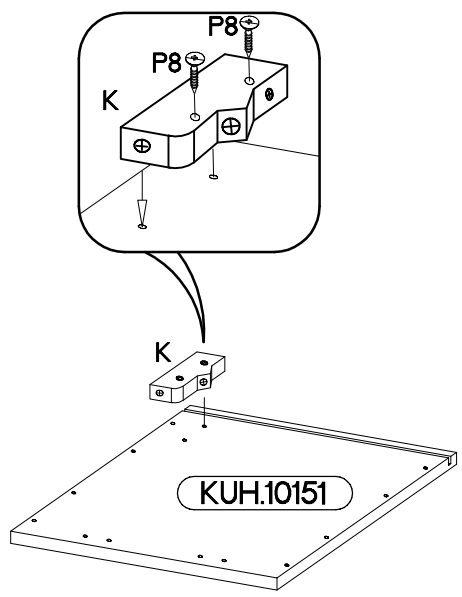
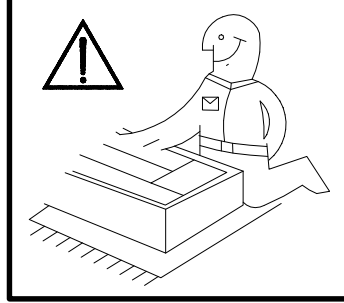


<p>±8x30mm A</p>	<p>6,4 x 50mm B</p>	<p>E1</p>	<p>±35/0mm HG</p>	<p>K</p>	<p>K24</p>
8	8	8	2	2	2
<p>O</p>	<p>±3.5x13mm P5</p>	<p>±3.0x20mm P7</p>	<p>±4.0x30mm P8</p>	<p>S23</p>	<p>M4x22mm U</p>
1	4	8-10	4	1	2

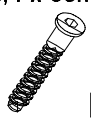
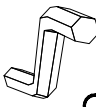



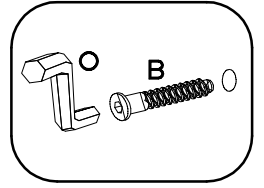
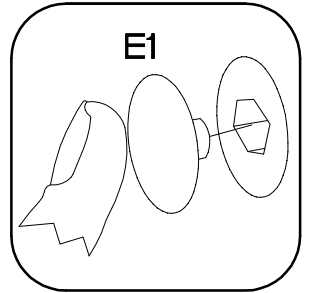
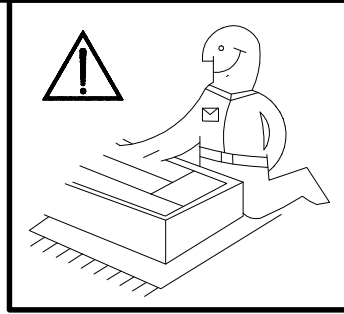
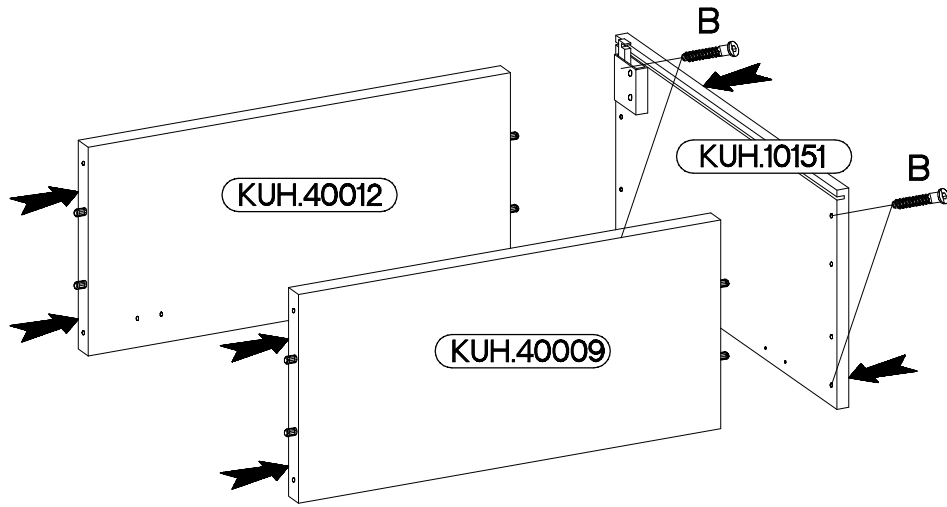
ISM-KUH-00923

$\pm 8 \times 30 \text{mm}$  A 8	$\pm 35 / 0 \text{mm}$  HG 2	$\pm 3.5 \times 13 \text{mm}$  P5 4	$\pm 4.0 \times 30 \text{mm}$  P8 4	 K 2
---	---	--	--	--


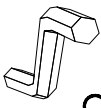



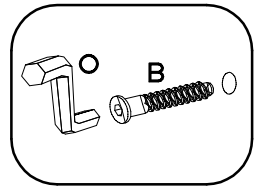
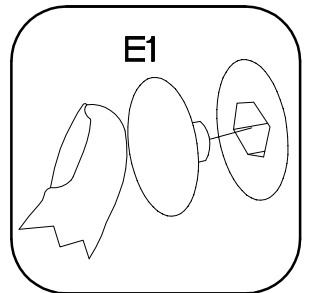
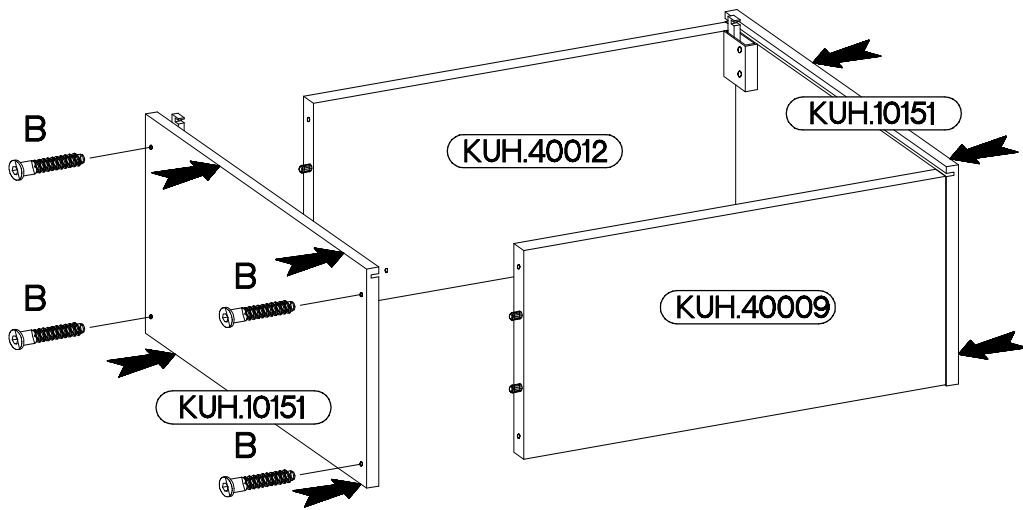
2

6,4 x 50mm		
		
B	O	E1
4	1	4

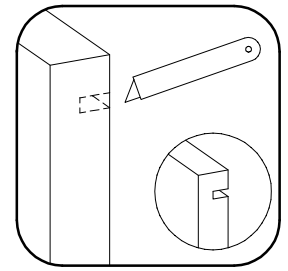
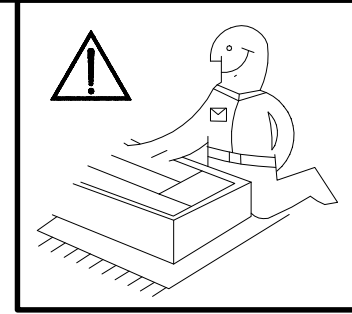
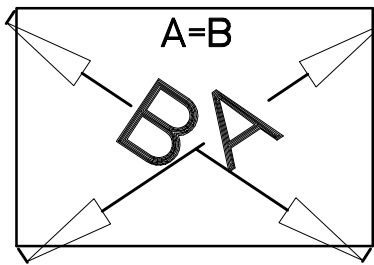
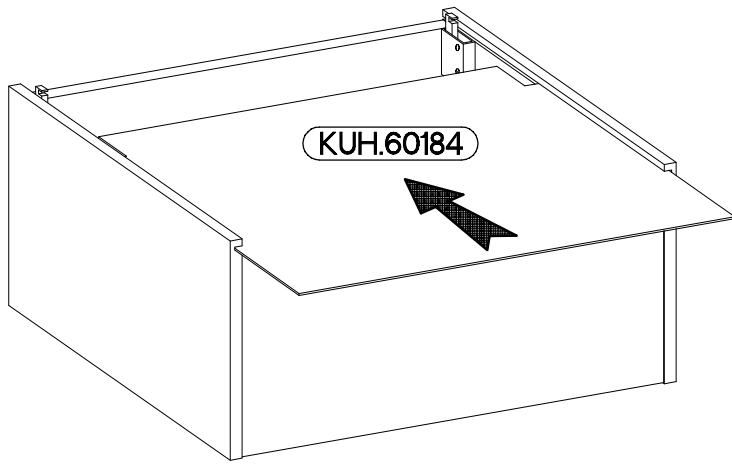


3

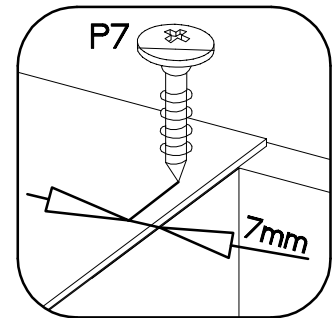
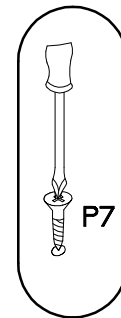
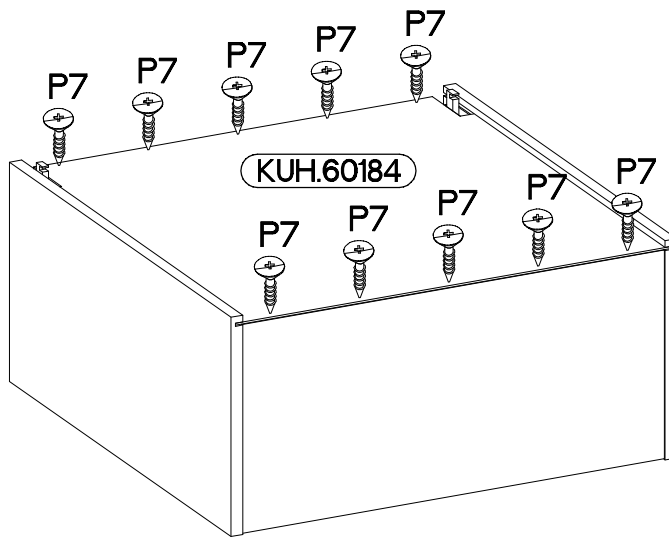
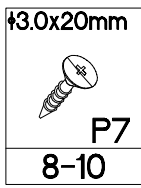
6,4 x 50mm		
		
B	O	E1
4	1	4



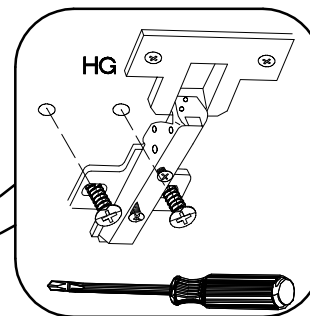
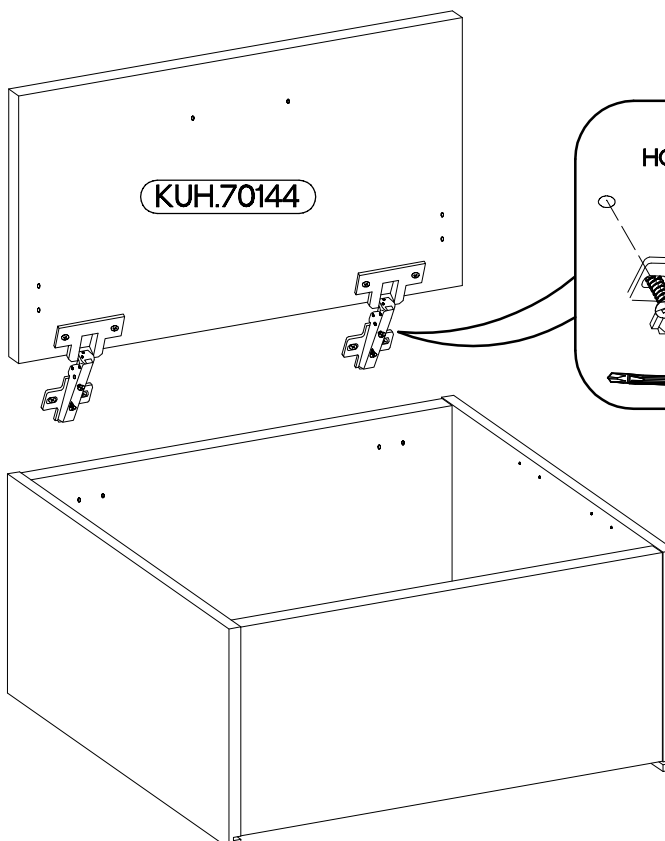
4



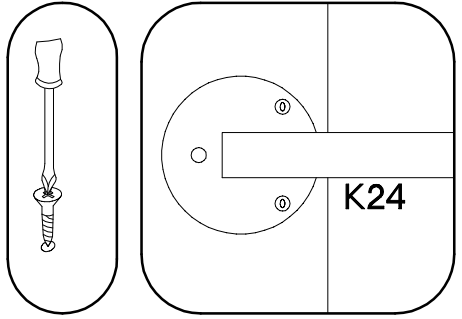
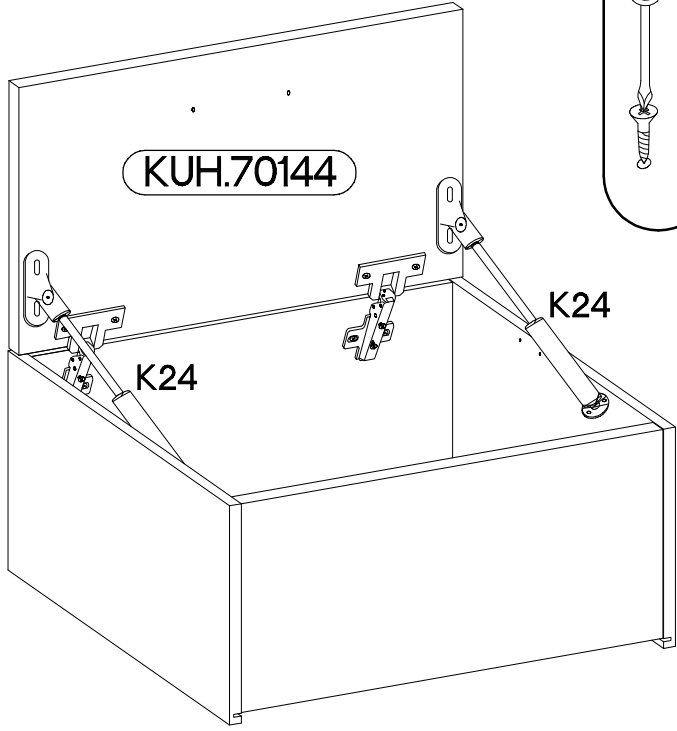
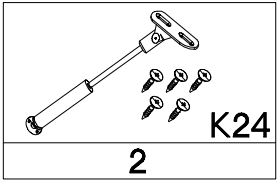
5



6



7



8

