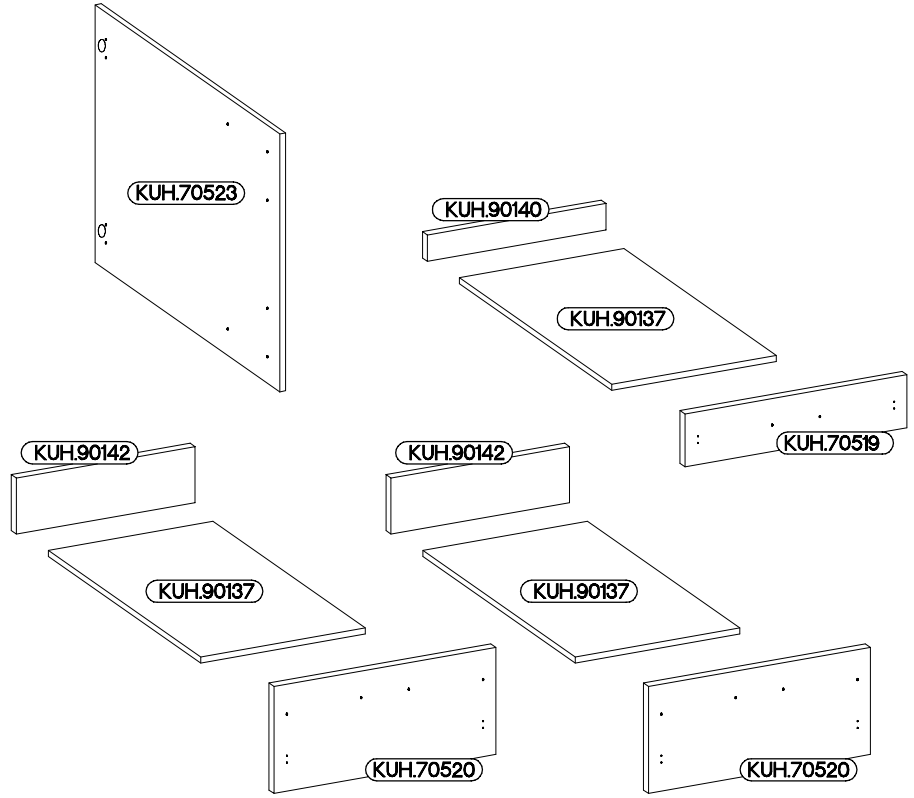
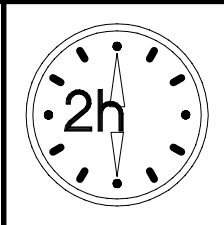
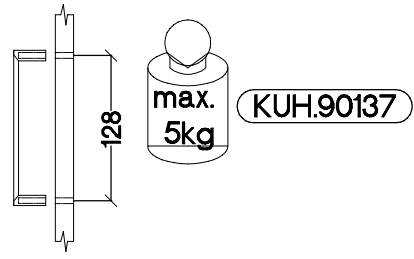
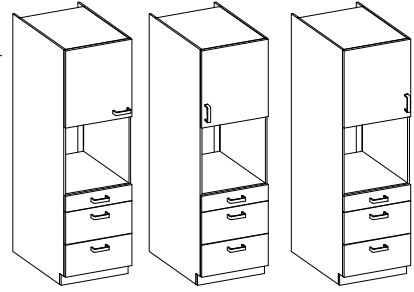
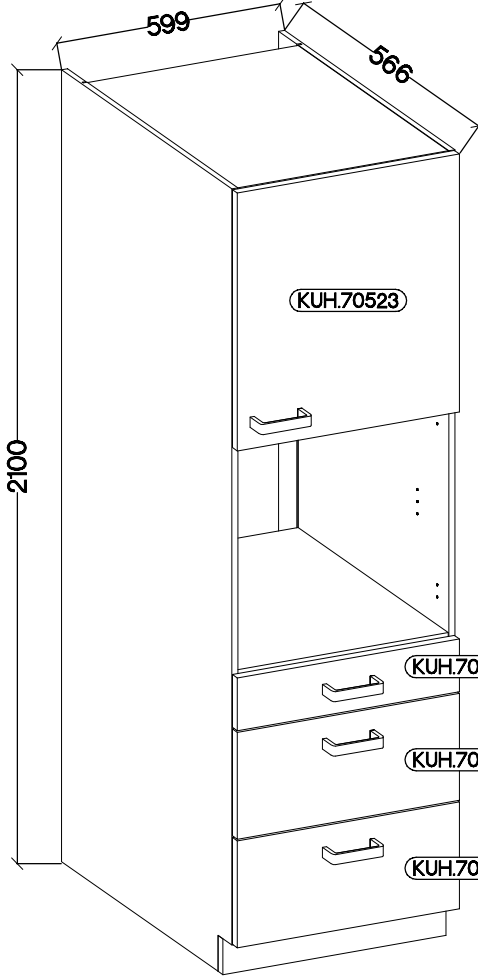
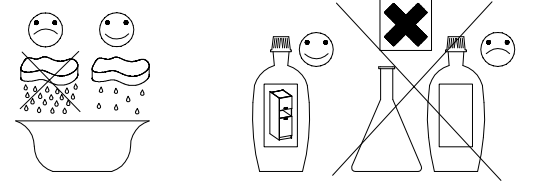
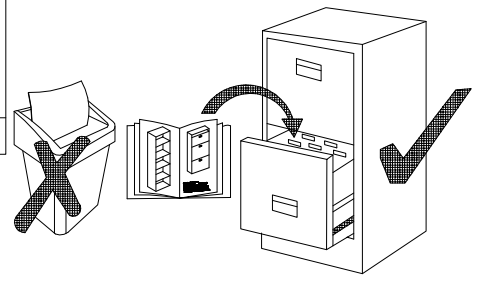
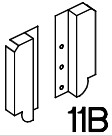
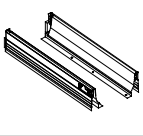

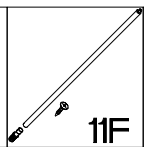






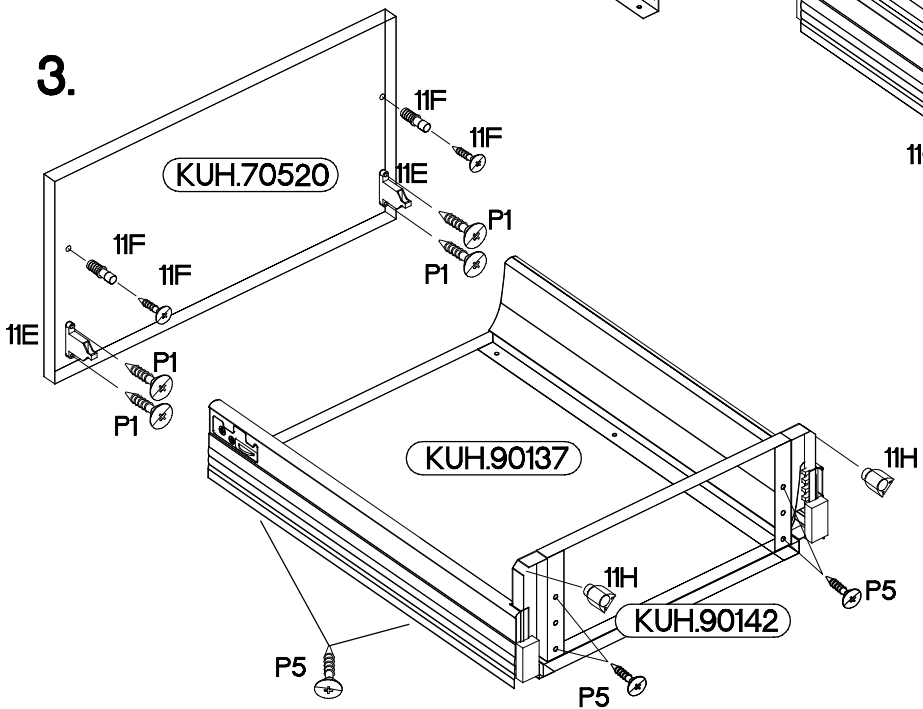
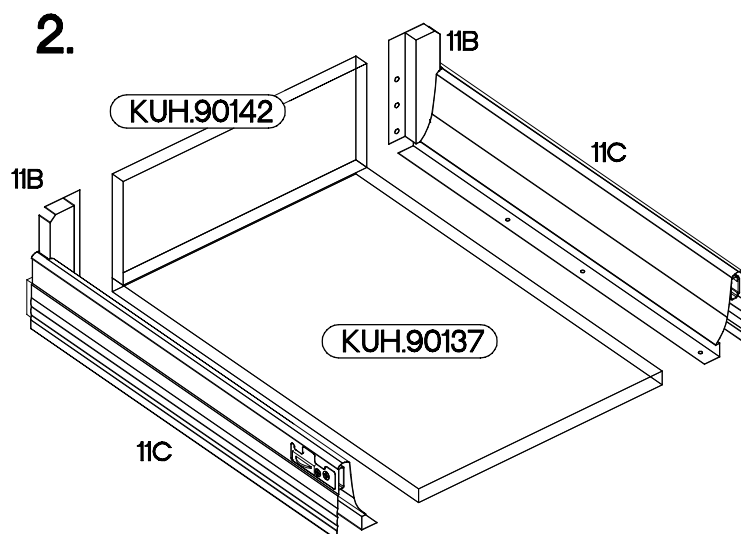
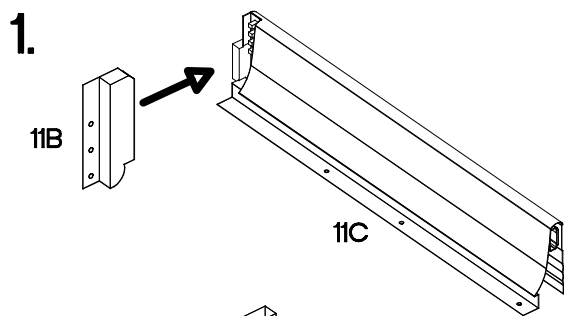
60 DPS-2100 1F 3S



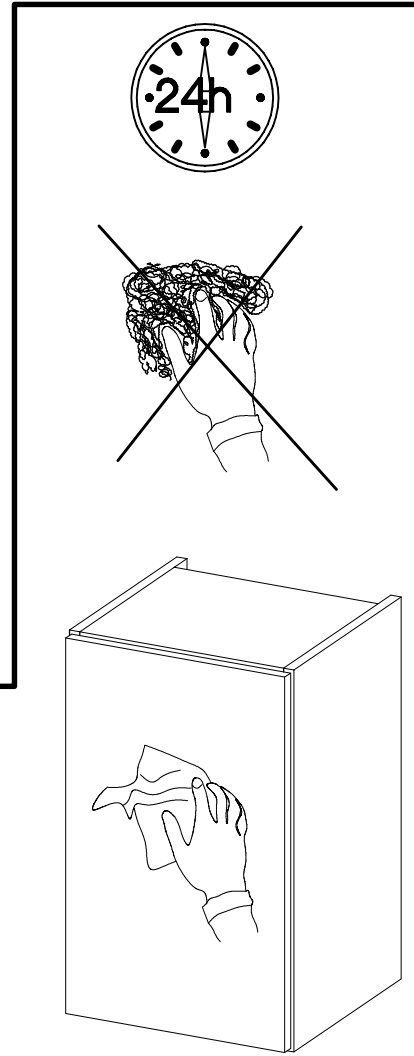
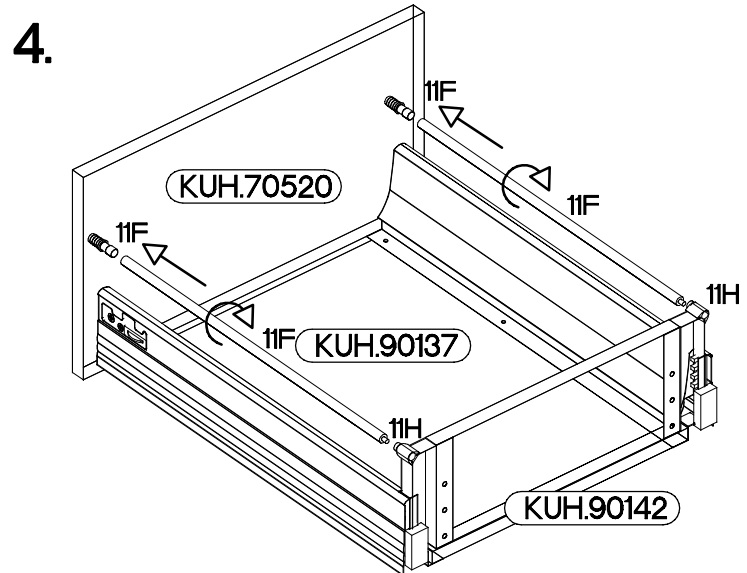
3	2	3	1	6	4	6
	+35/0mm	+6.3x13mm	+4.0x16mm	+3.5x13mm	M4x22mm	
4	2	12	24	28	2	4



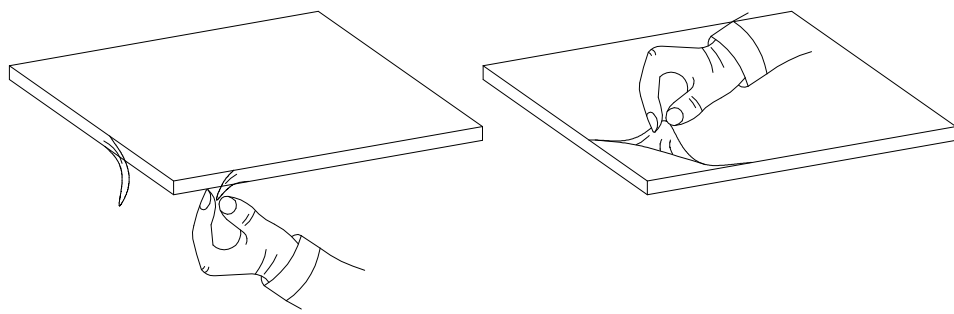
					$\pm 4.0 \times 16 \text{mm}$ 	$\pm 3.5 \times 13 \text{mm}$ 	
2	2	4	4	4	8	16	4



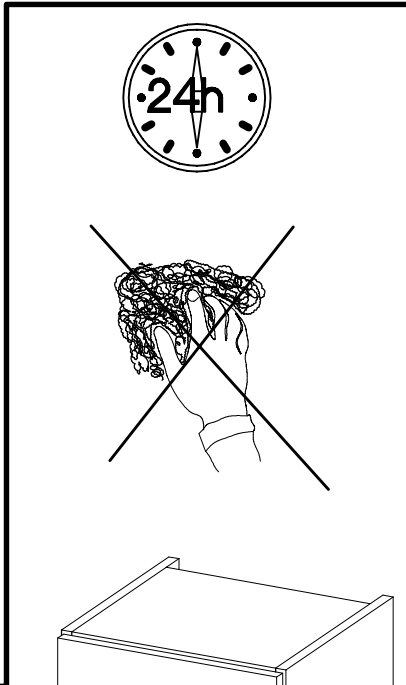
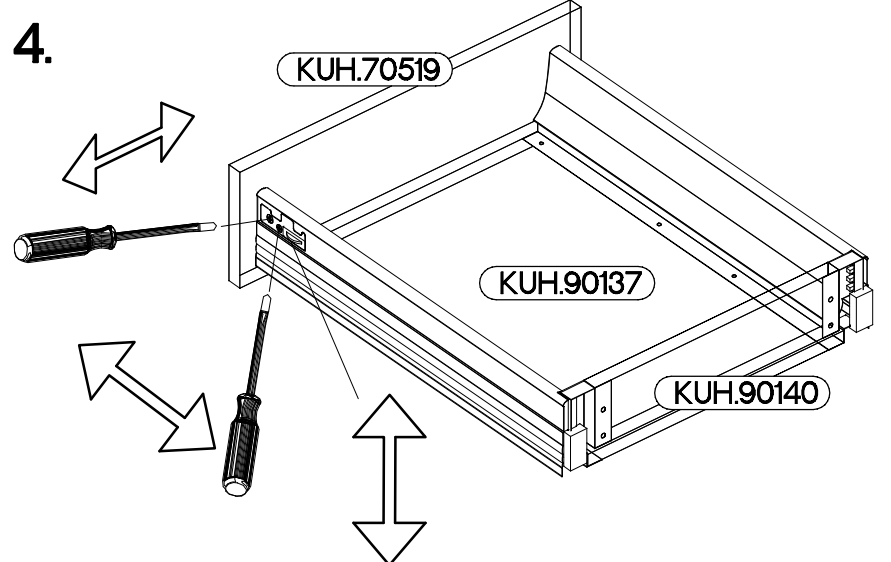
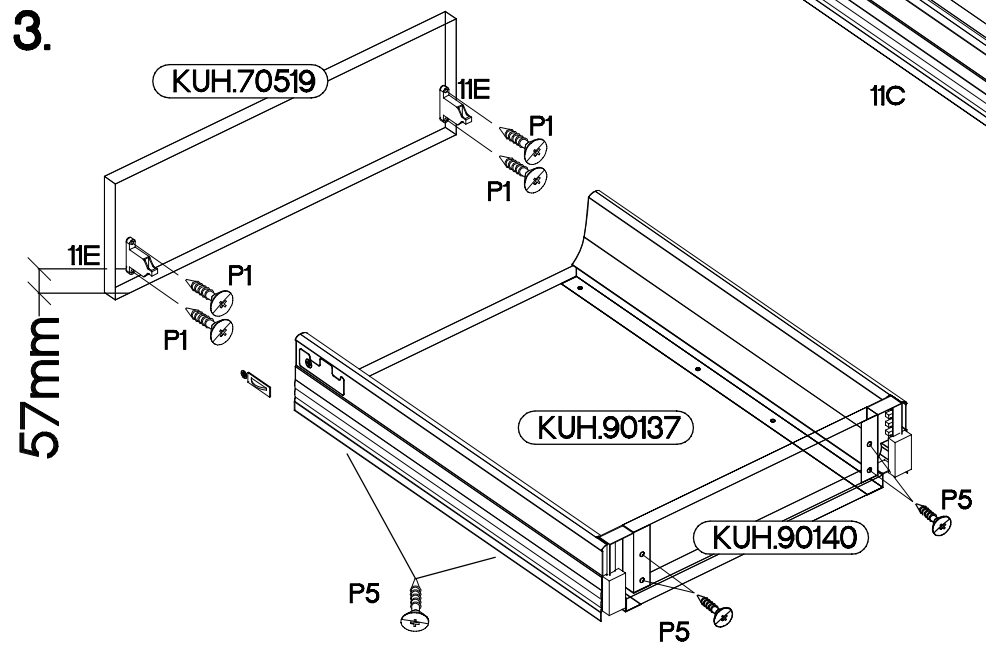
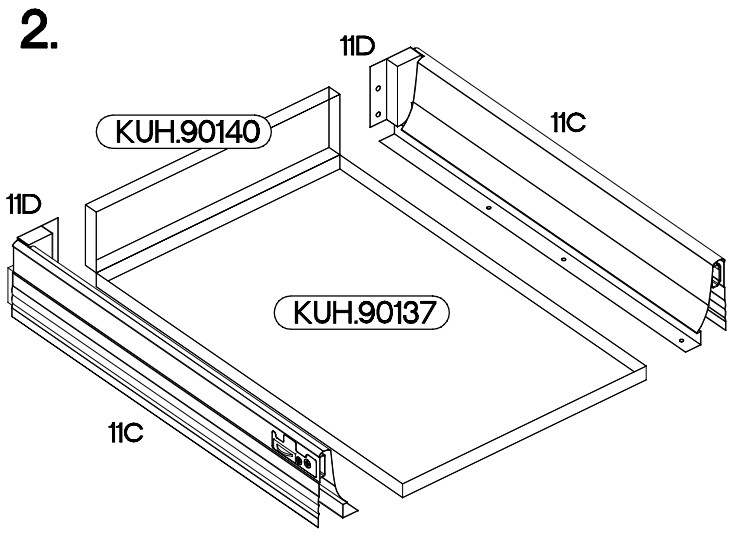
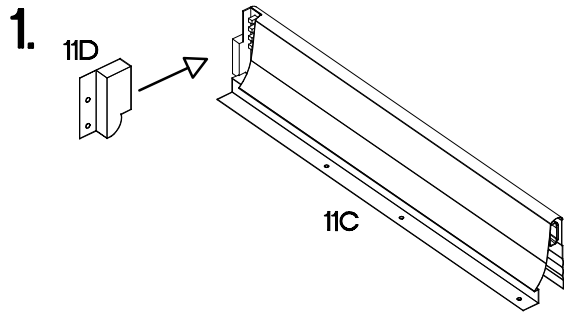
x2



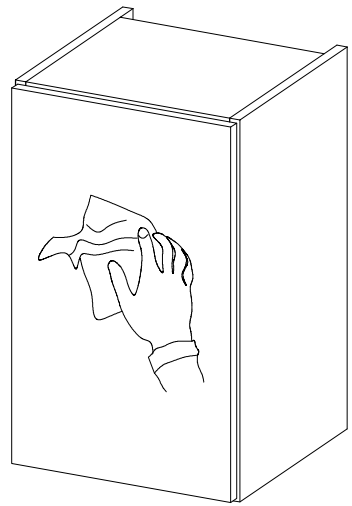
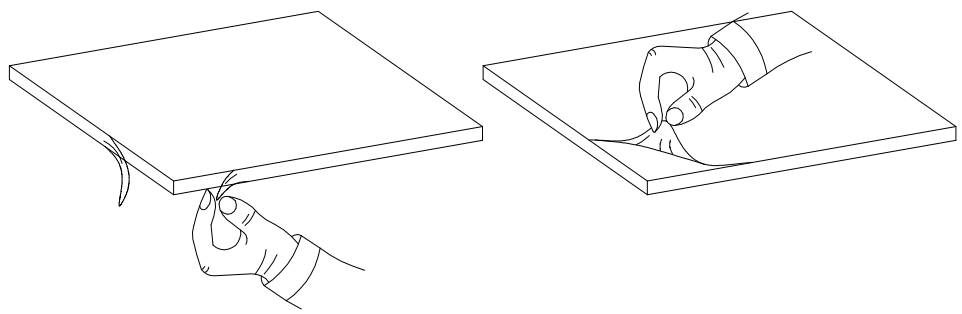
VARIANT HIGH GLOSS

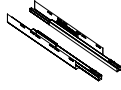


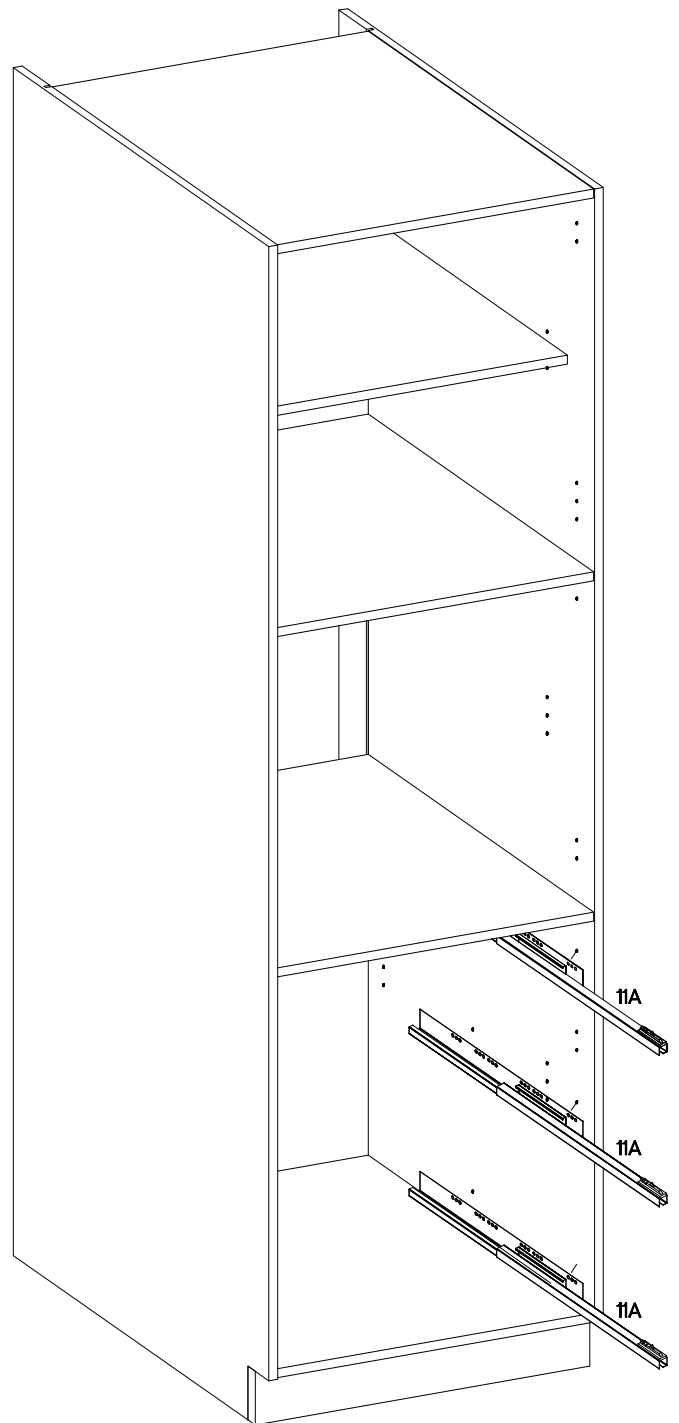
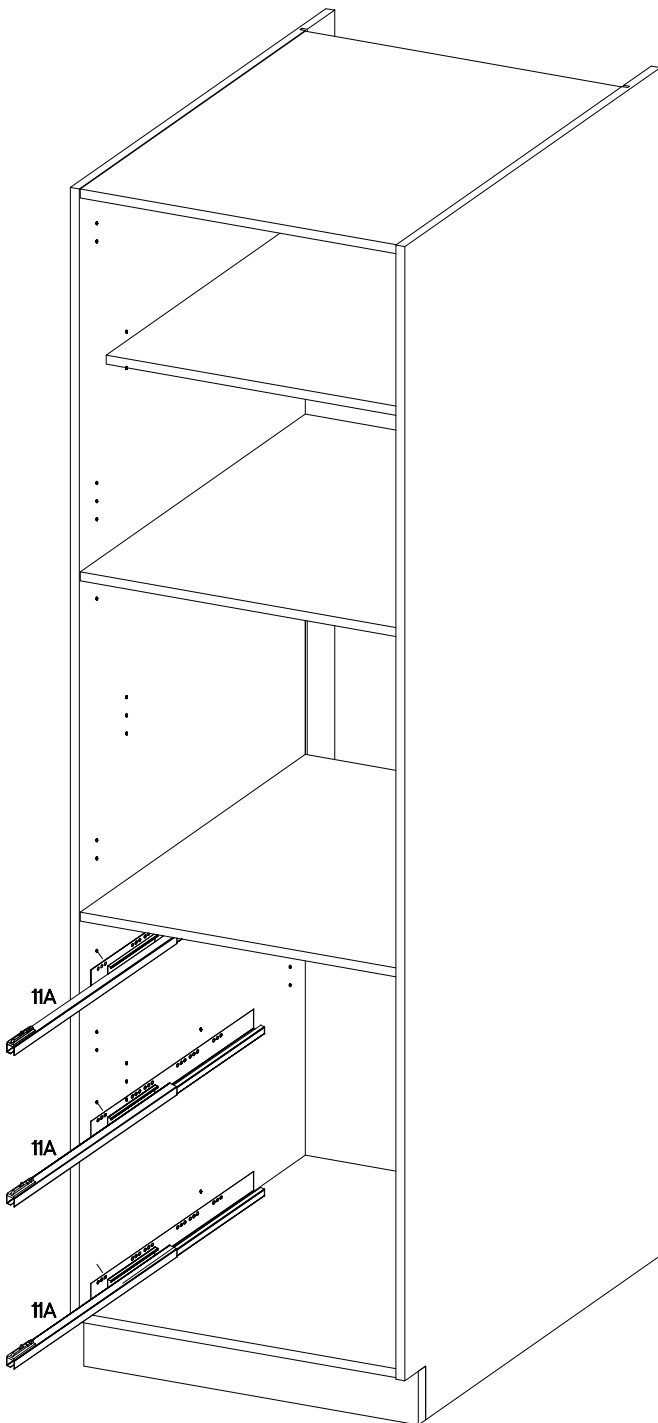
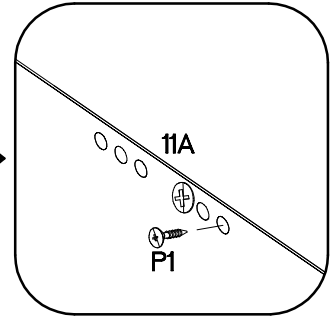
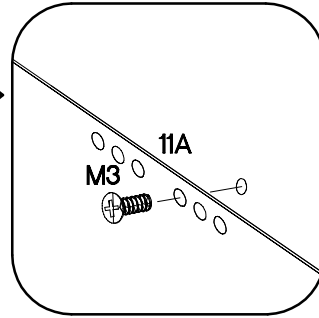
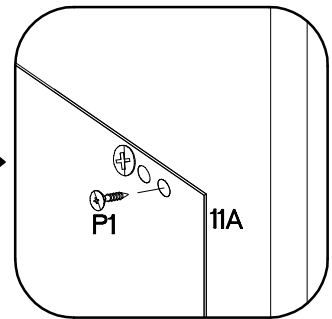
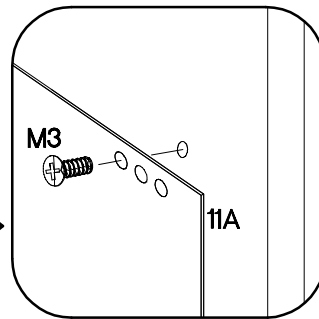
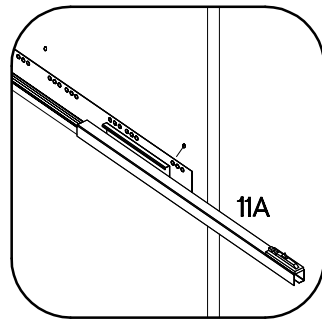
11D	11C	11E	P1	P5	11G
1	1	2	4	8	2




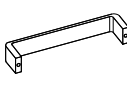
VARIANT HIGH GLOSS

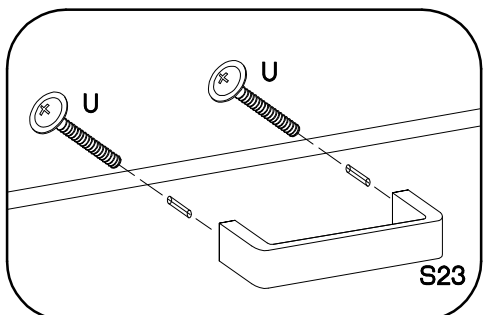
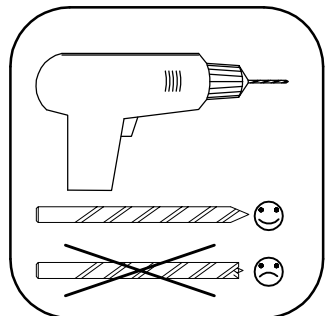
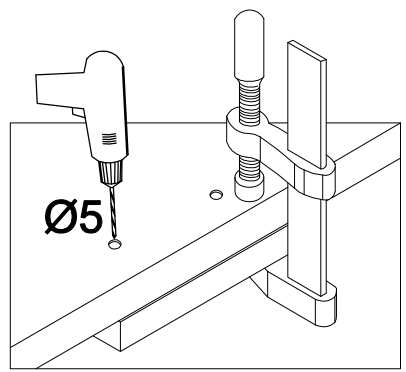
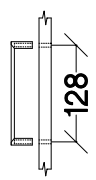
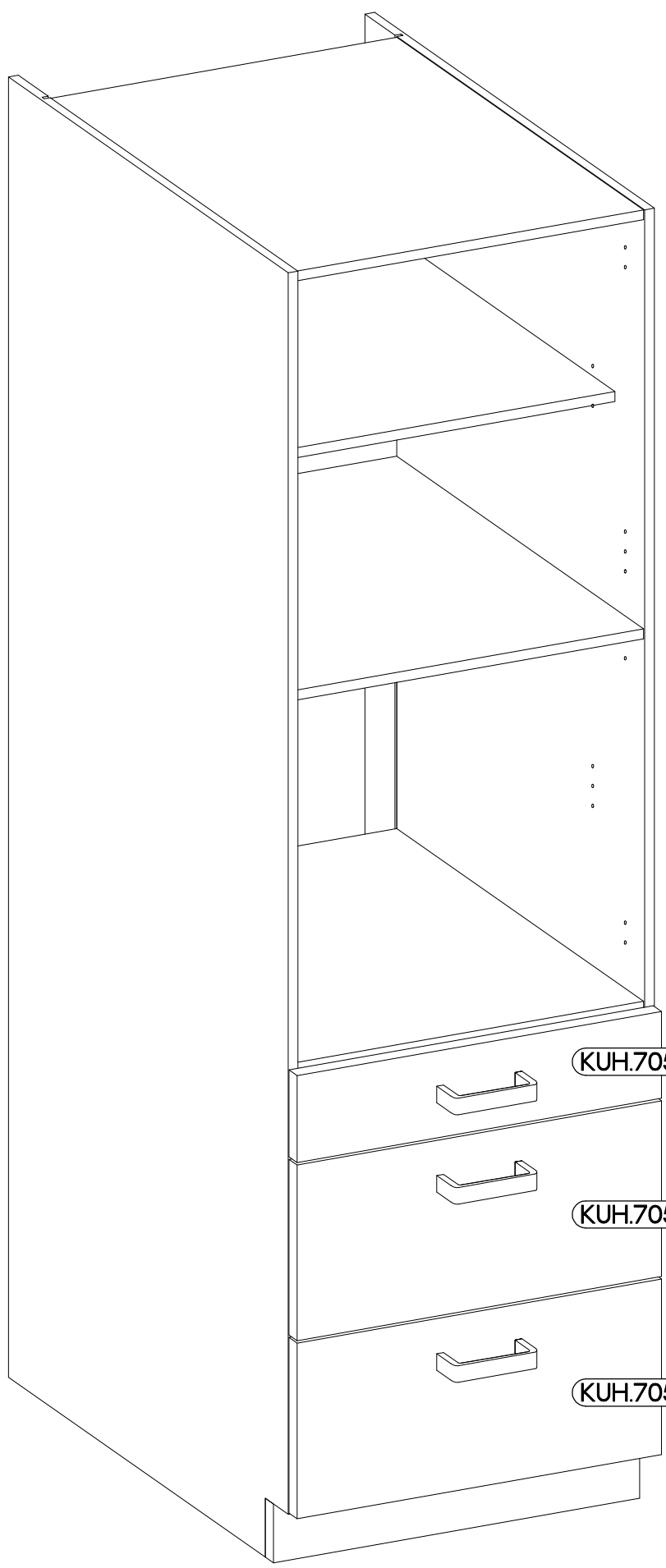


	+6.3x13mm	+4.0x16mm
11A	M3	P1
3	12	12



4

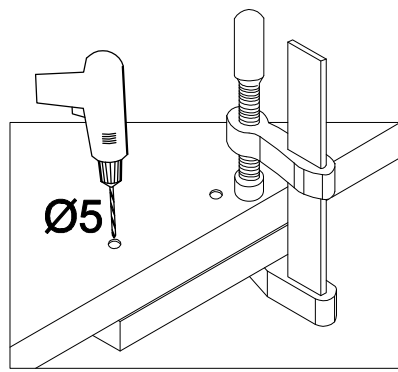
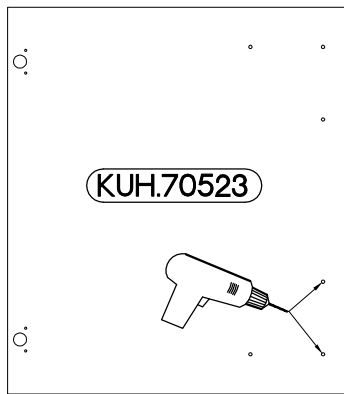
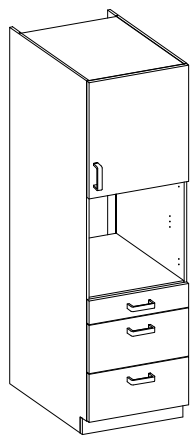
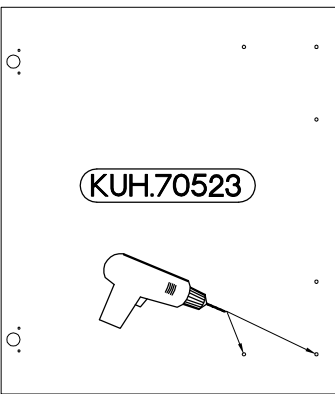
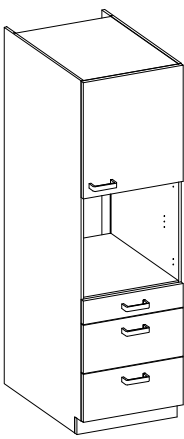
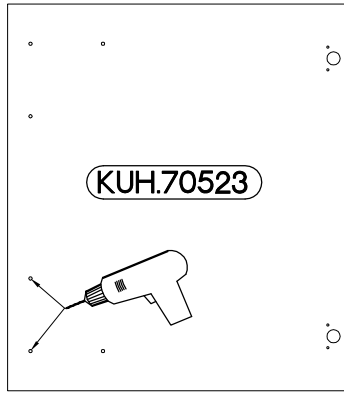
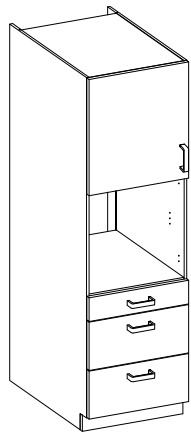
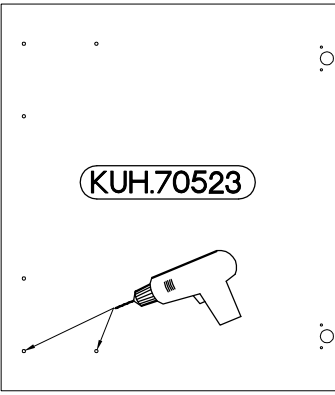
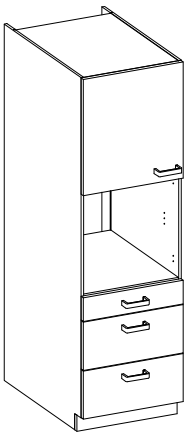
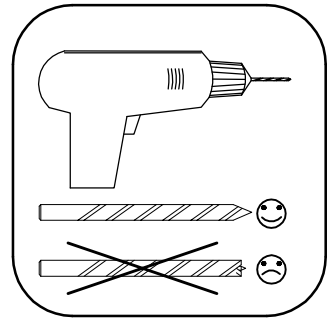
M4x22mm	
	
U	S23
6	3



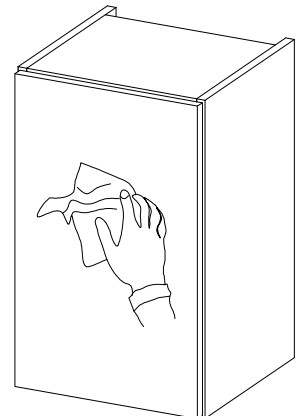
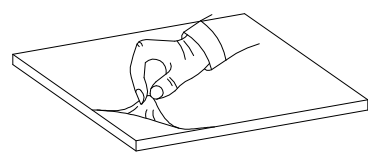
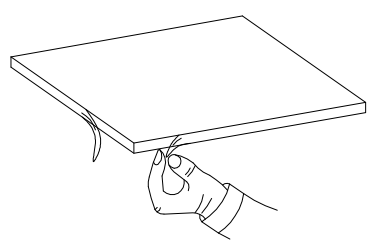
KUH.70519

KUH.70520

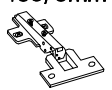

KUH.70520

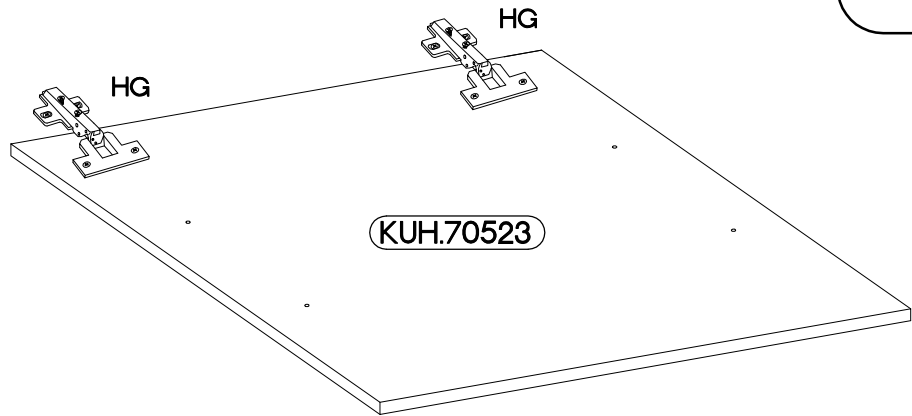
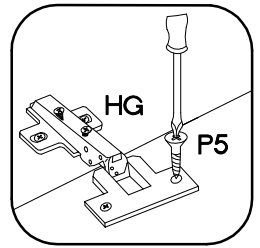


VARIANT HIGH GLOSS

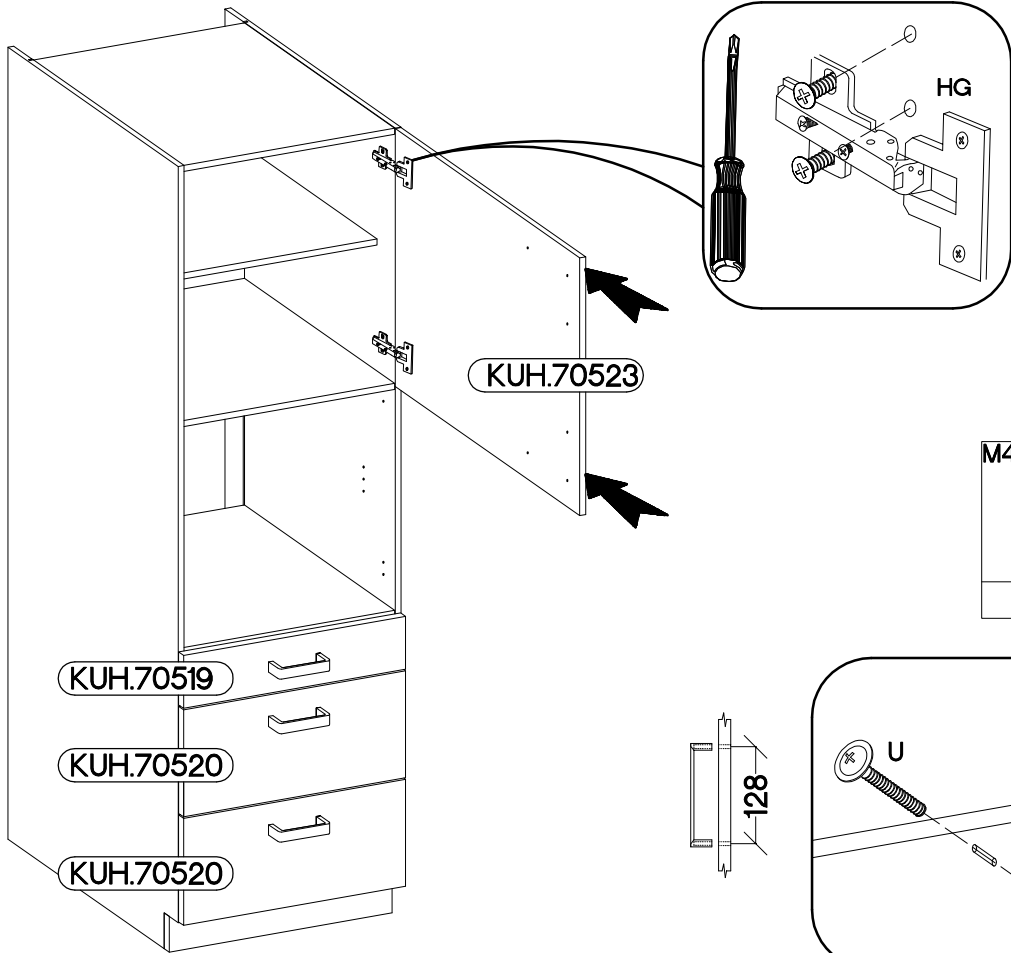




6

 †35/0mm HG 2	 †3.5x13mm P5 4
--	--



7



 M4x22mm U 2	 S23 1
--	---

