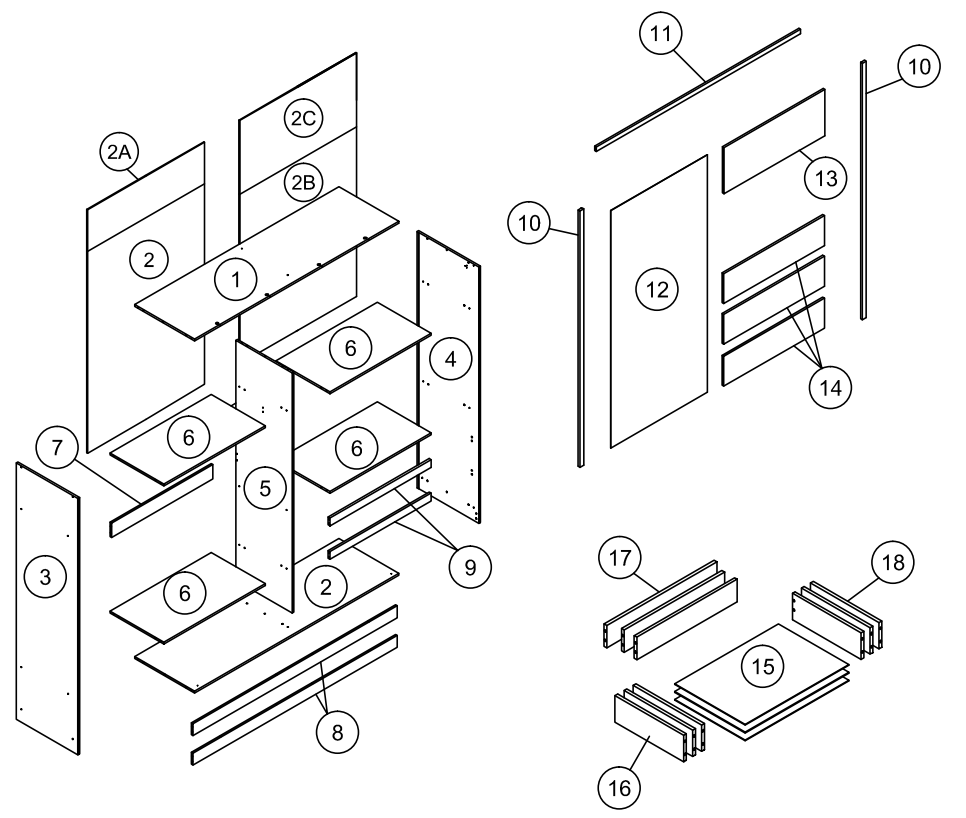
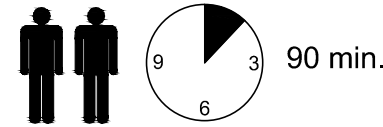
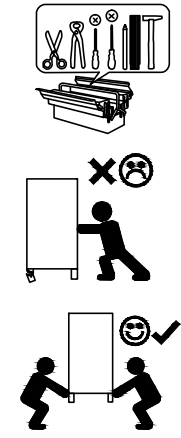
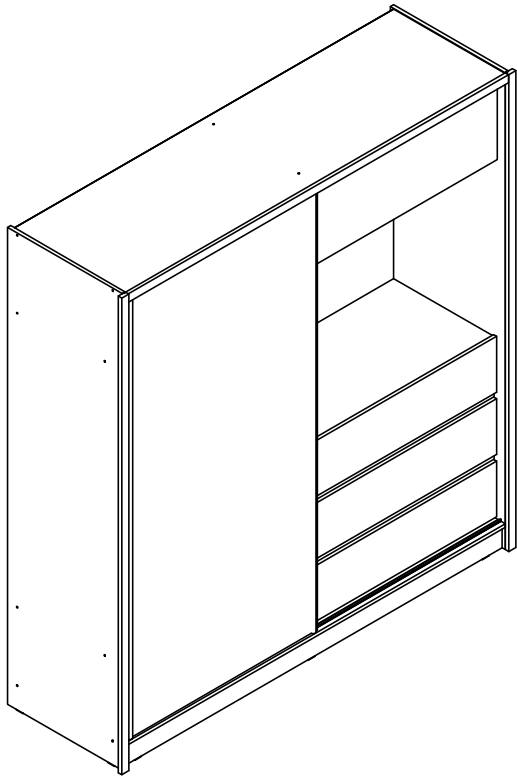
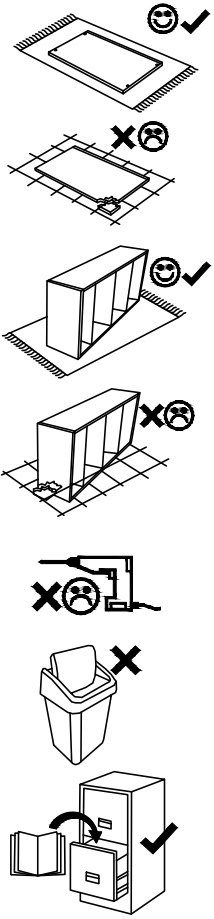
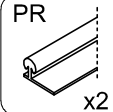
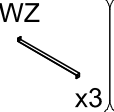

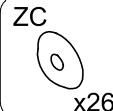
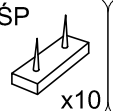
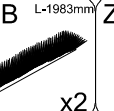
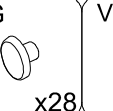
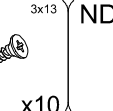
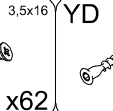
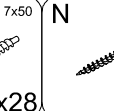


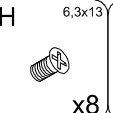
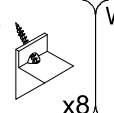
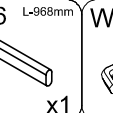


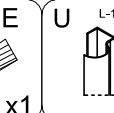
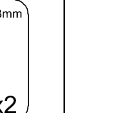

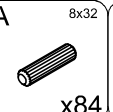
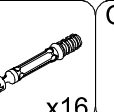
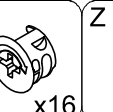
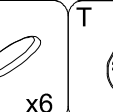
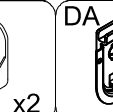
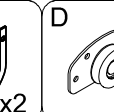

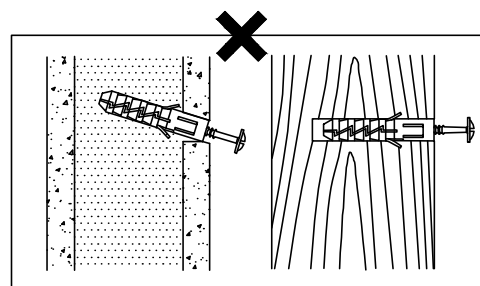
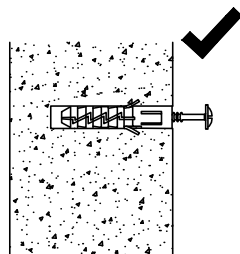
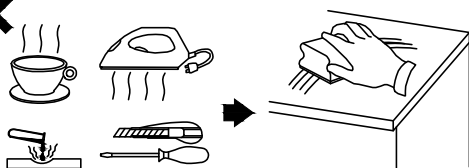
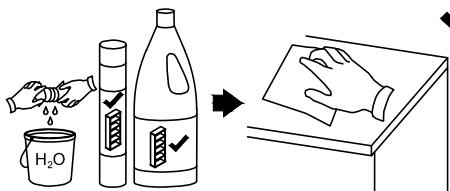
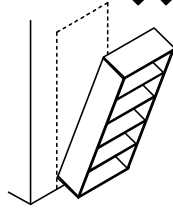
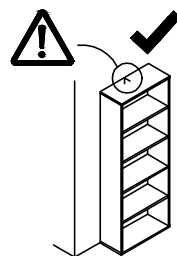
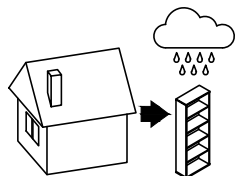
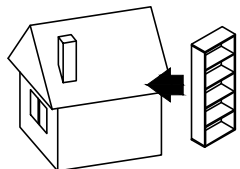


# TV 200

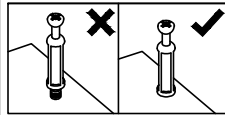


					PR  x2	WZ  x3	RPS  x3
ZC  x26	ŚP  x10	DB L-1983mm  x2	ZG  x28	V 3x13  x10	ND 3,5x16  x62	YD 7x50  x28	N 3x20  x92
LM  x10	H 6,3x13  x8	X  x8	W6 L-968mm  x1	WB  x1	W+H2  x2	GLUE  x1	U L-1983mm  x2
G2  x2	A 8x32  x84	B  x16	C  x16	Z  x6	T  x2	DA  x2	D  x2

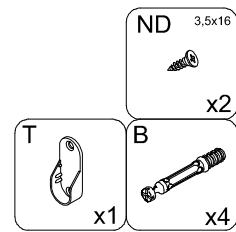
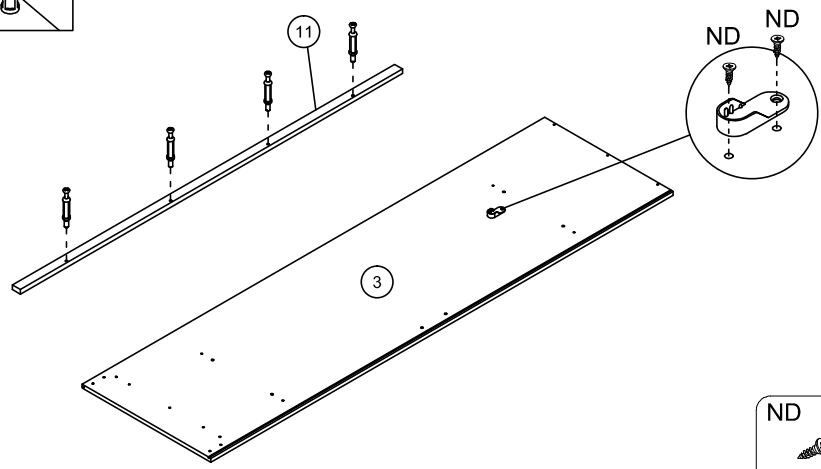
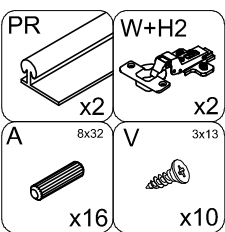
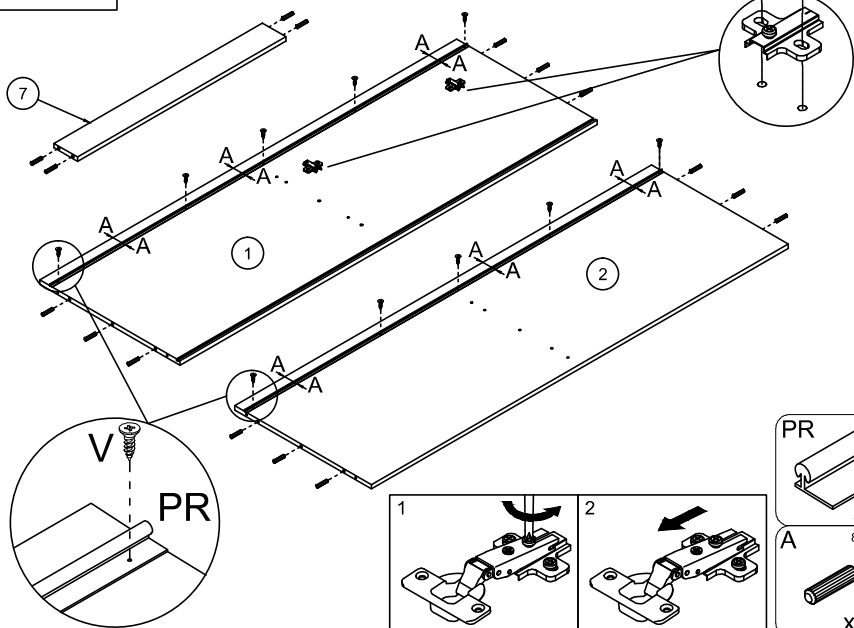


A=A

1

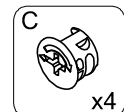
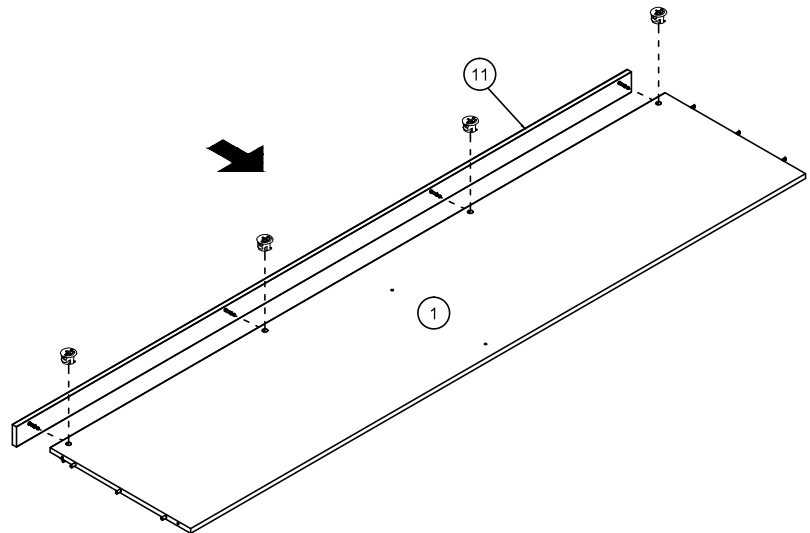
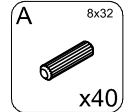
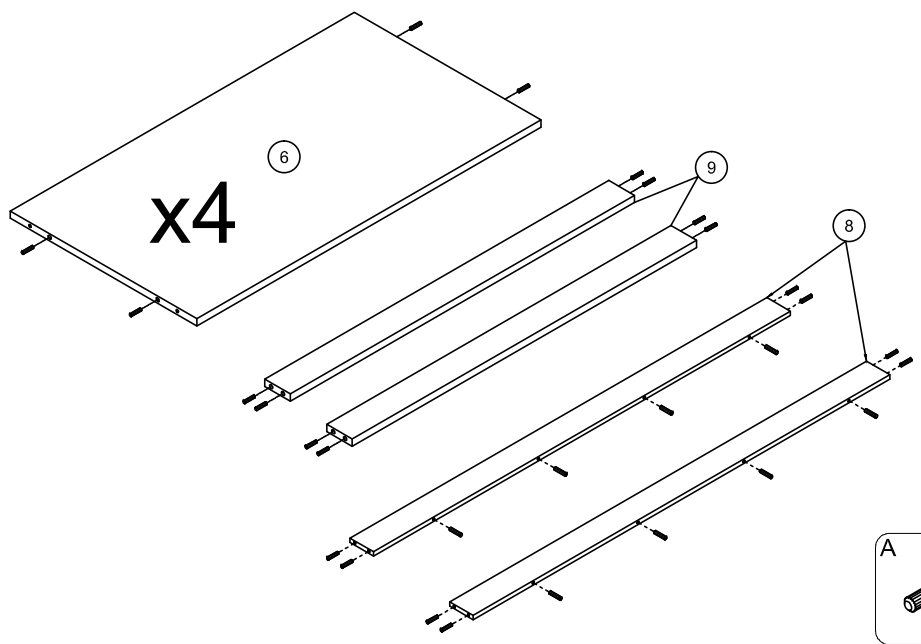


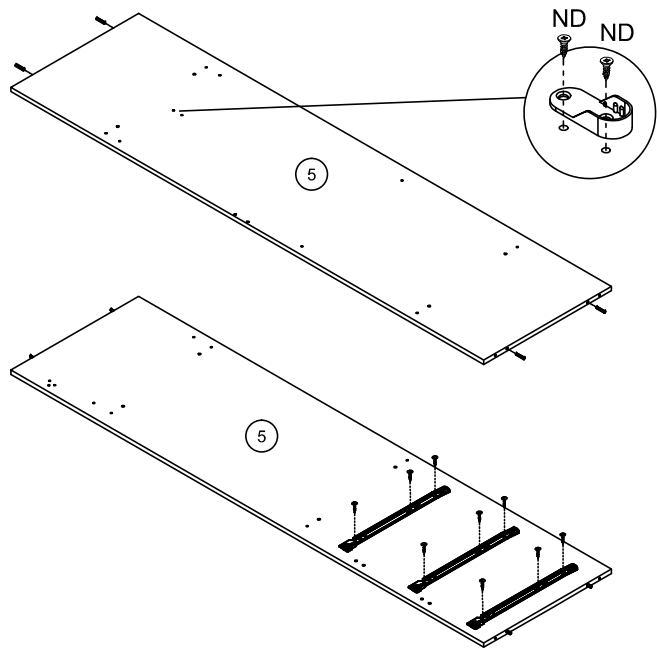
3



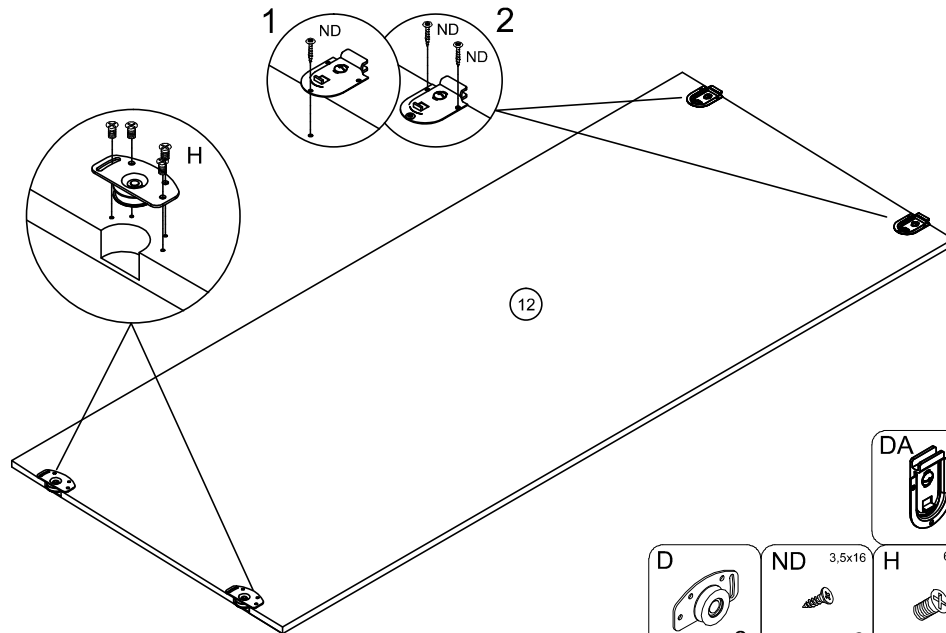
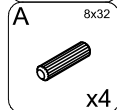
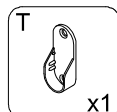
2

4

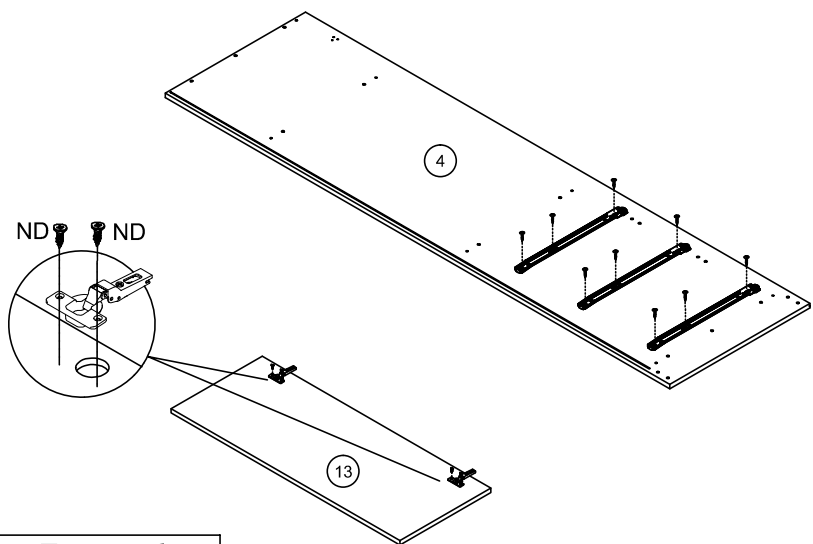
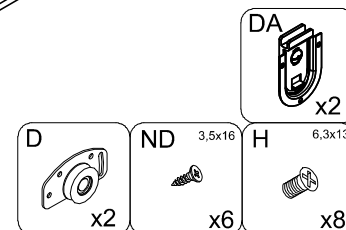
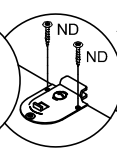
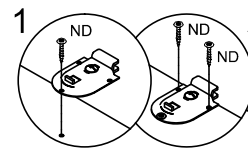




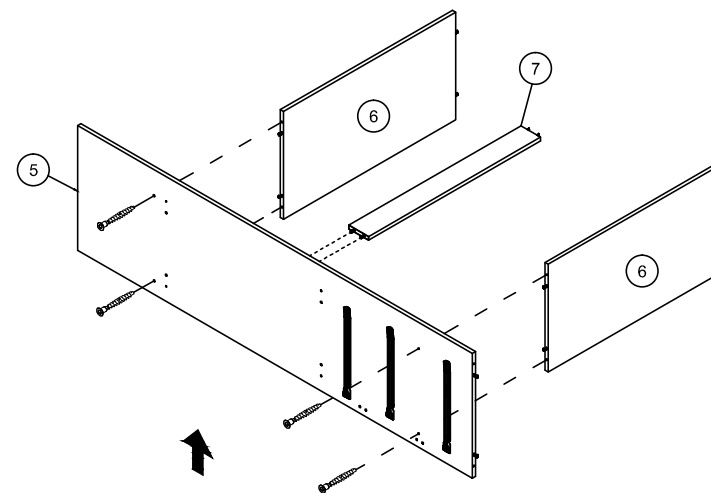
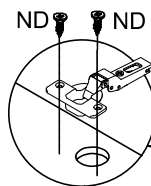
5



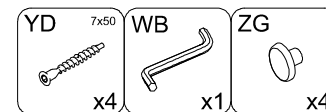
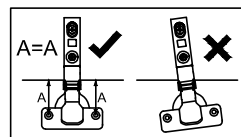
7



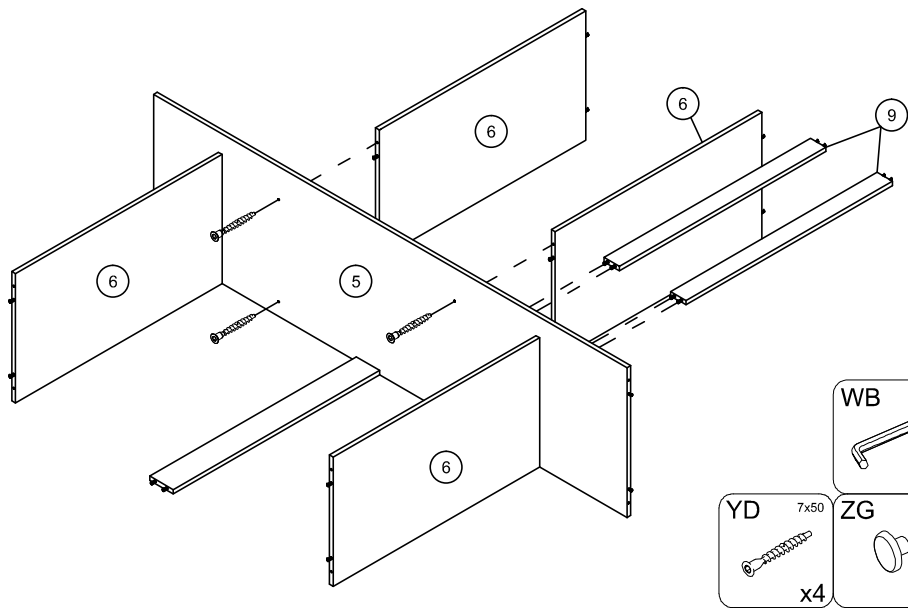
6



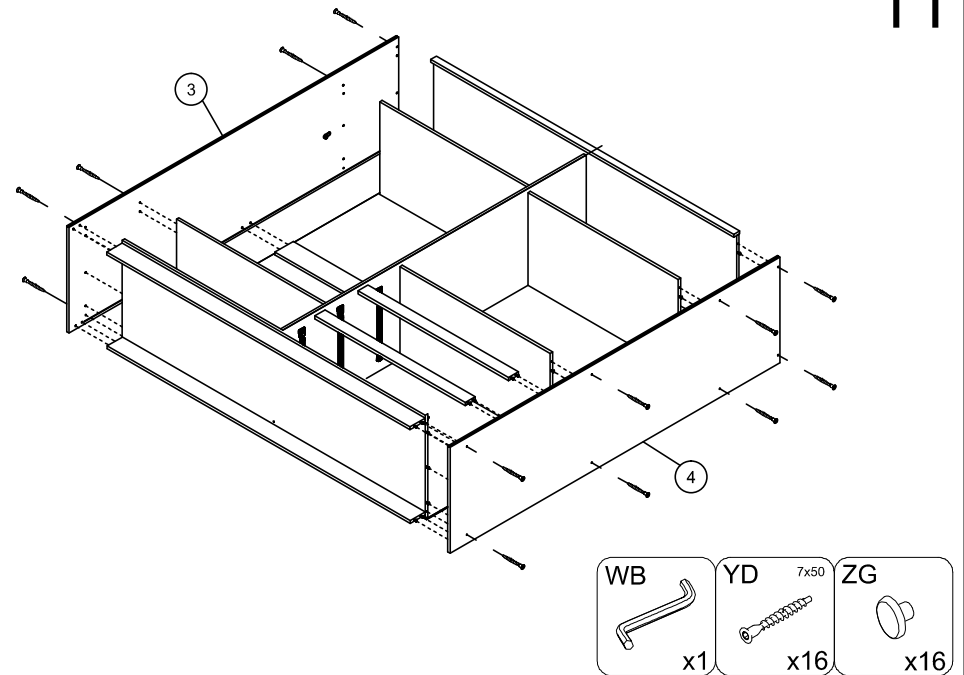
8



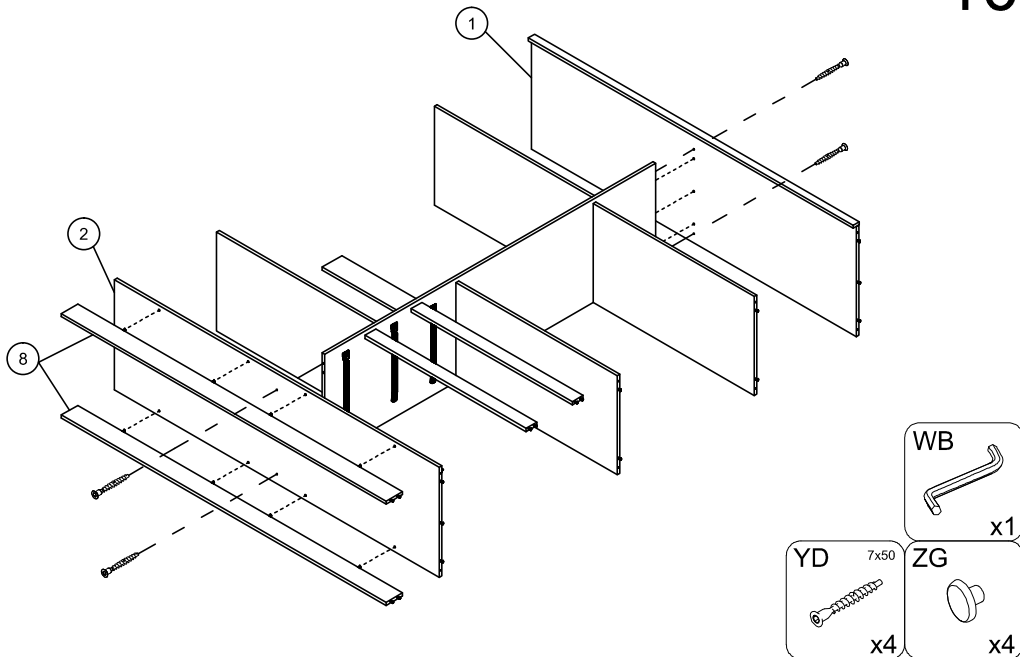
9



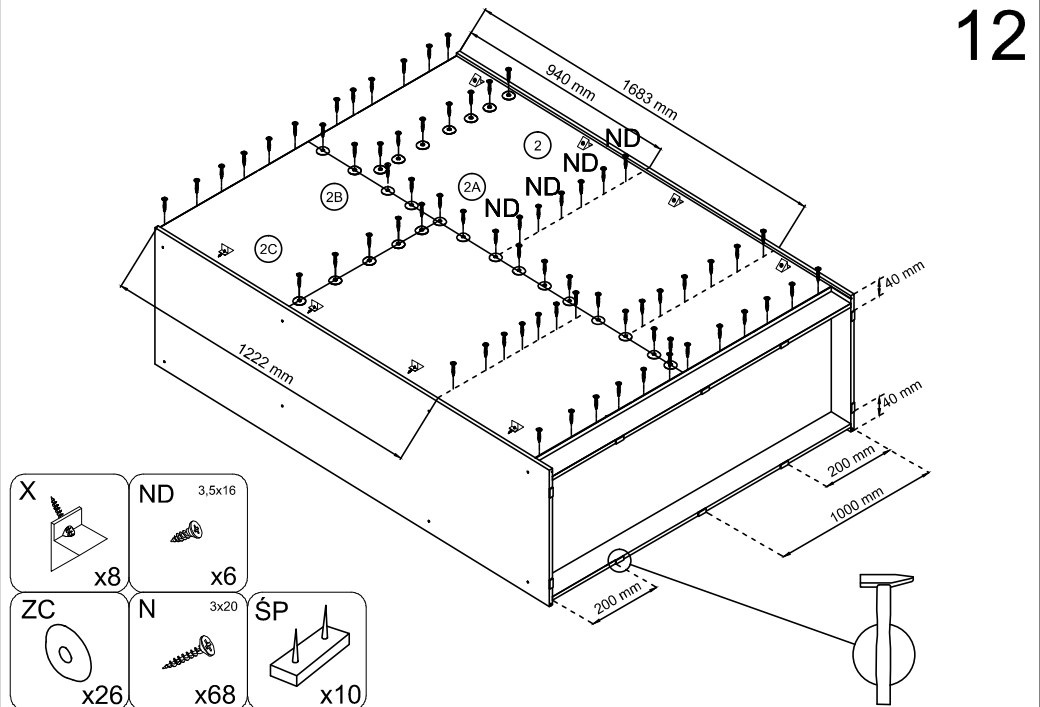
11



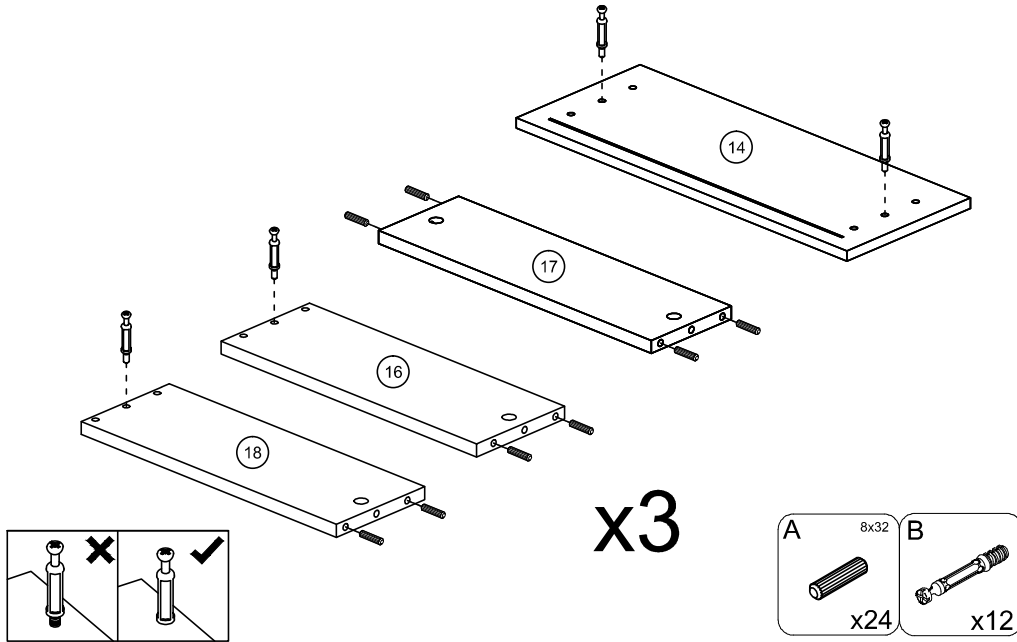
10



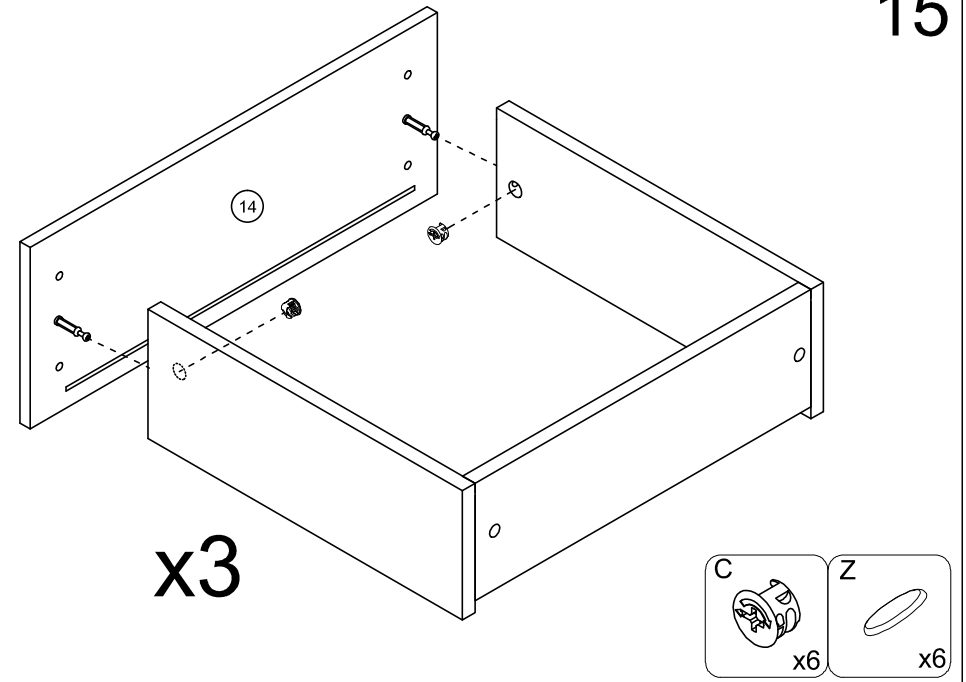
12



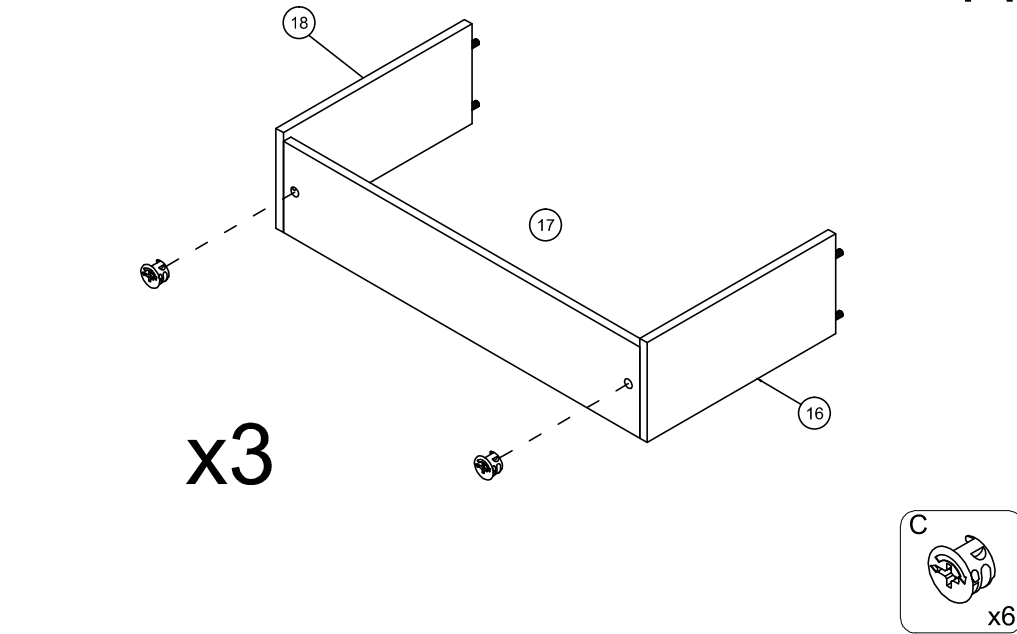
13



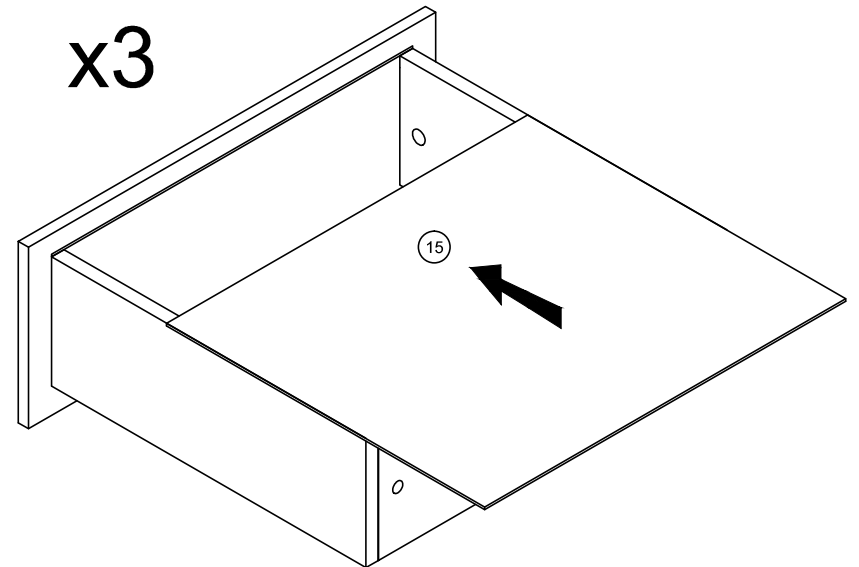
15

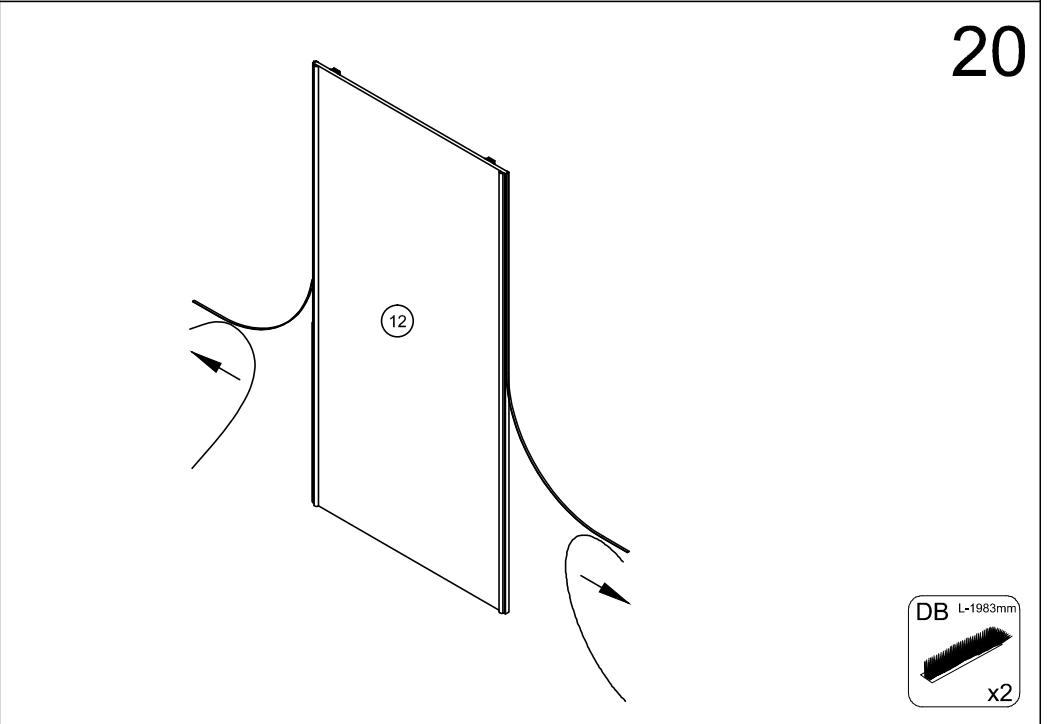
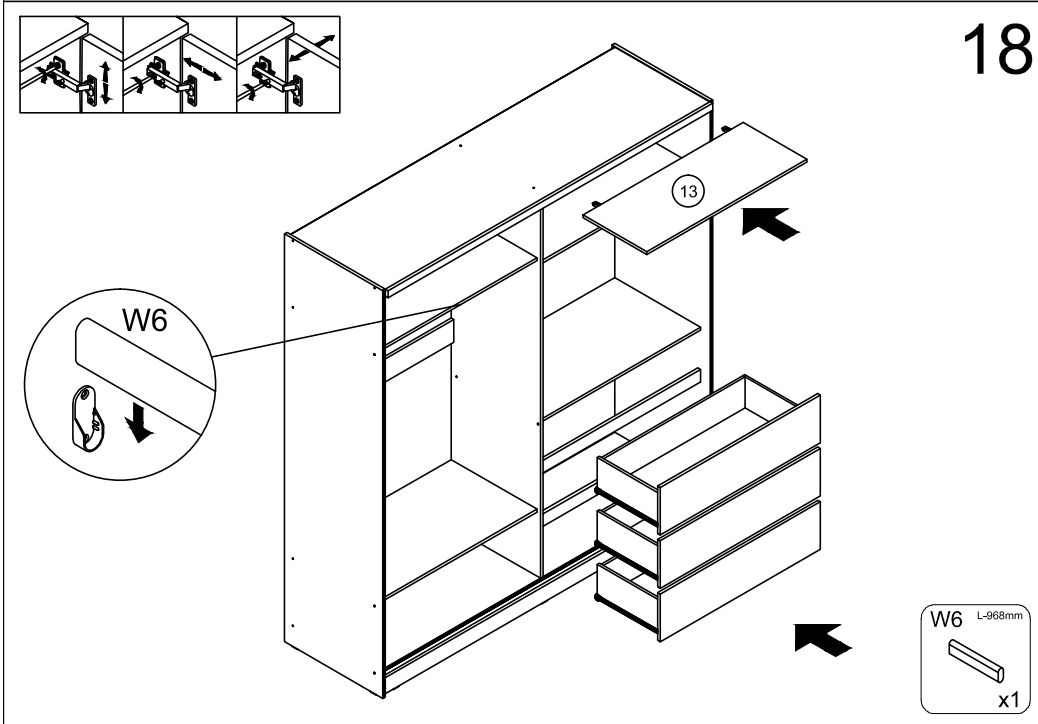
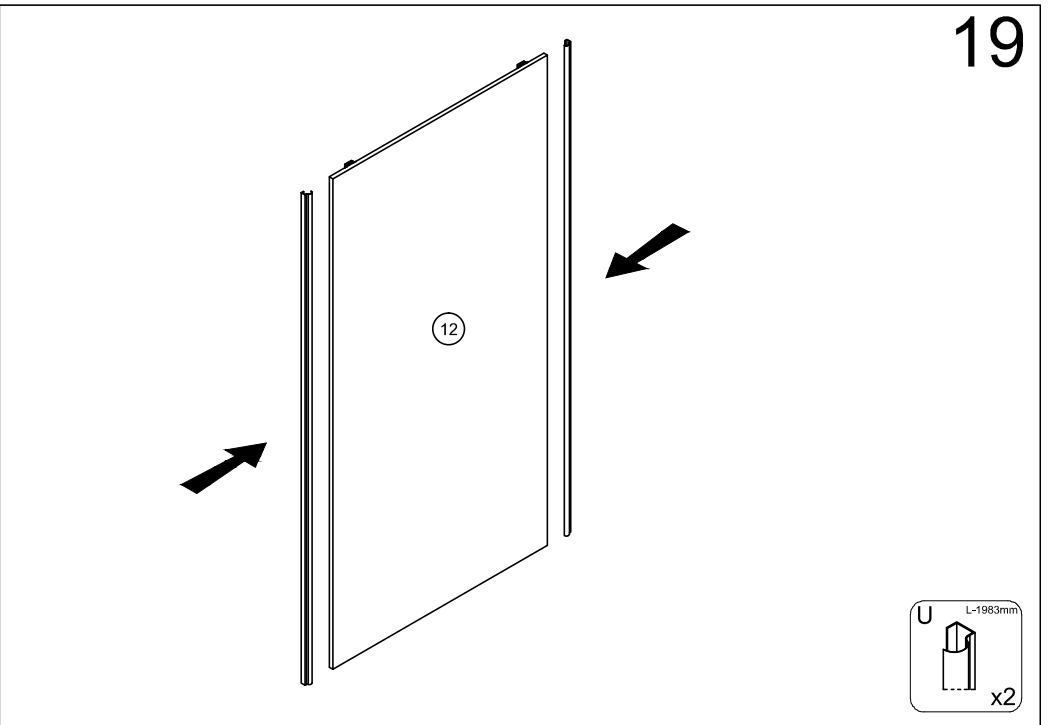
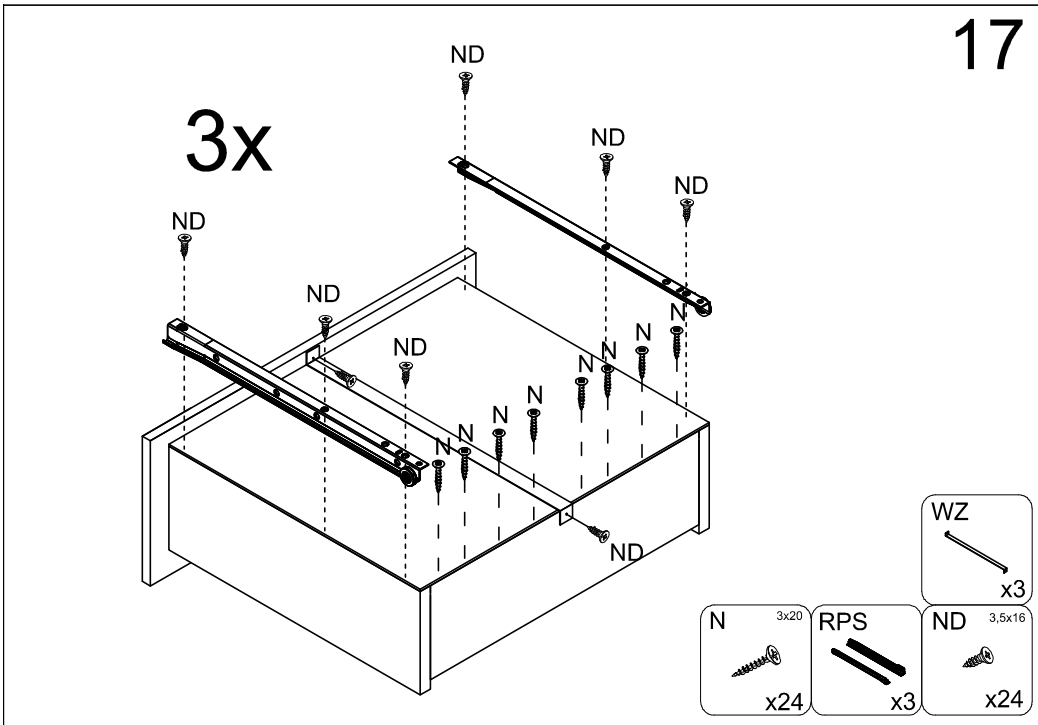


14

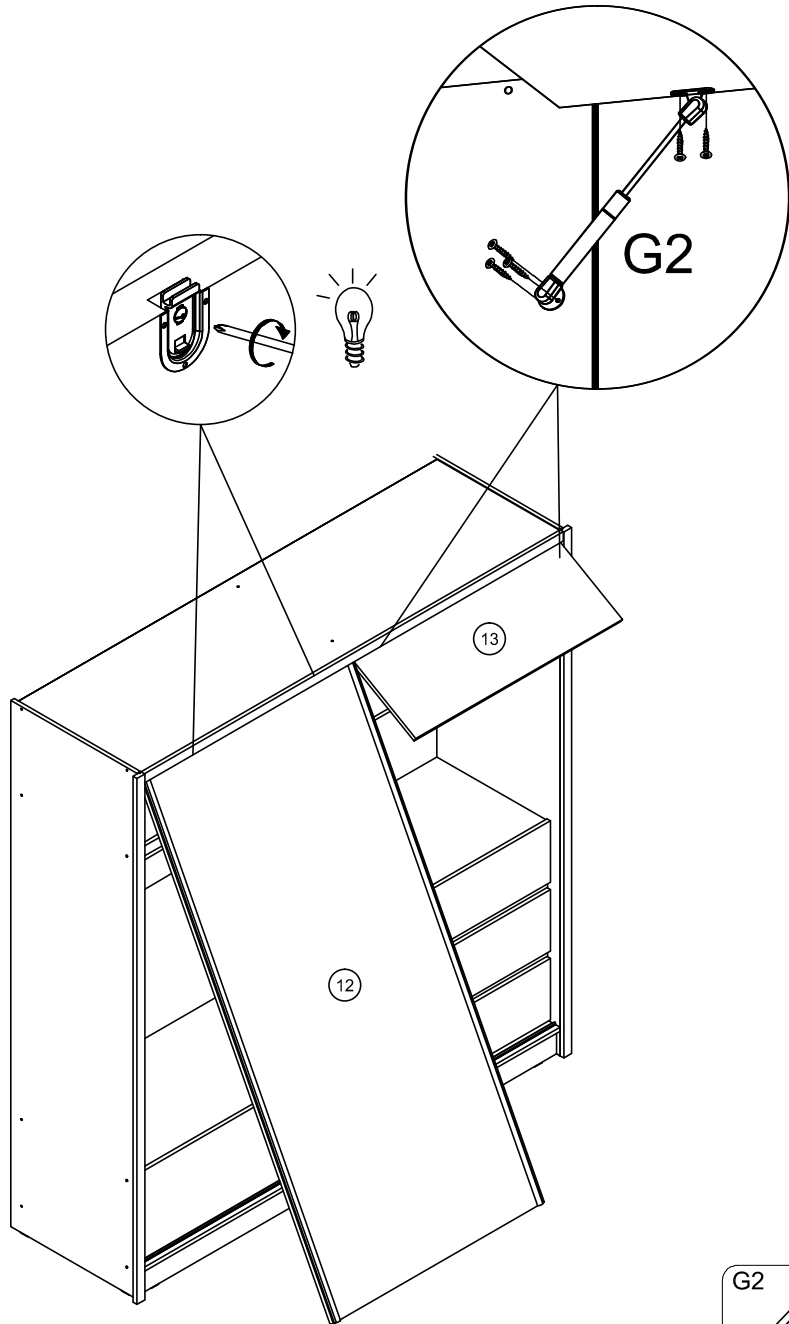
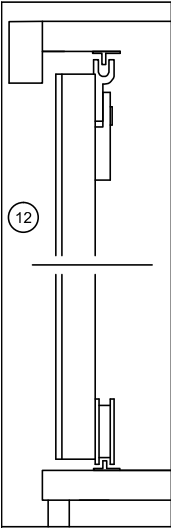


16

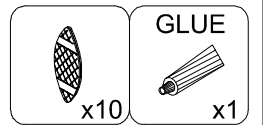
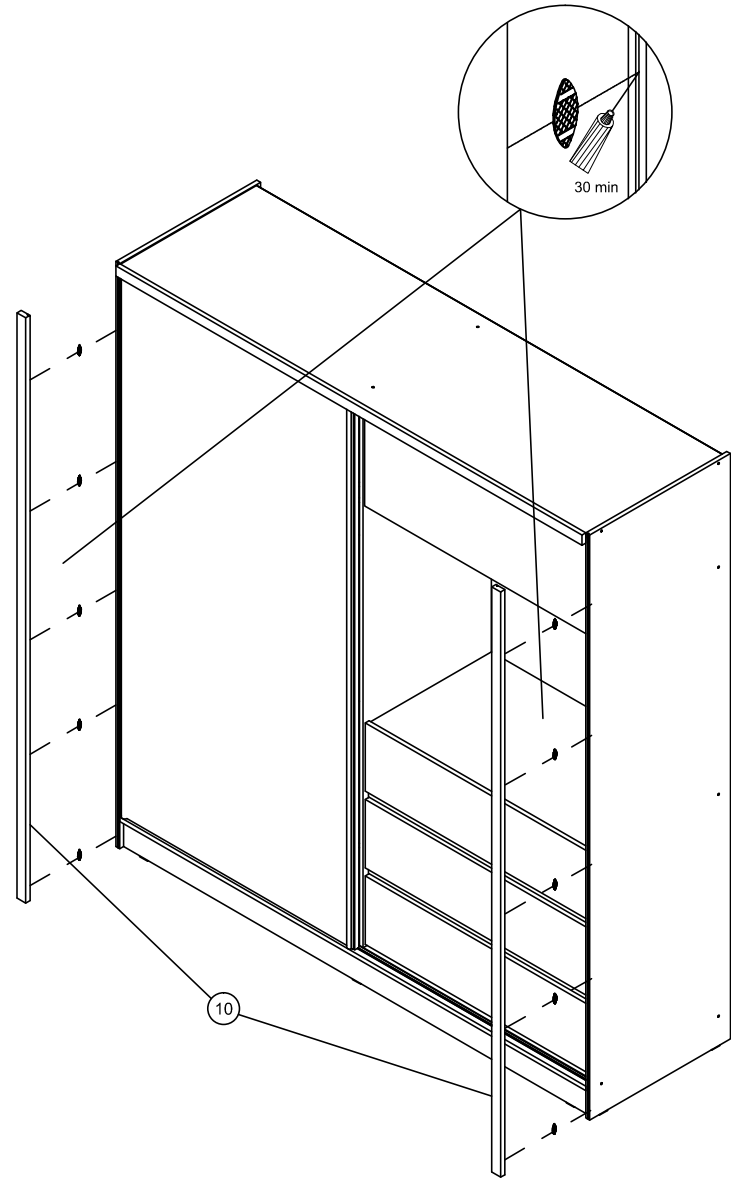




21

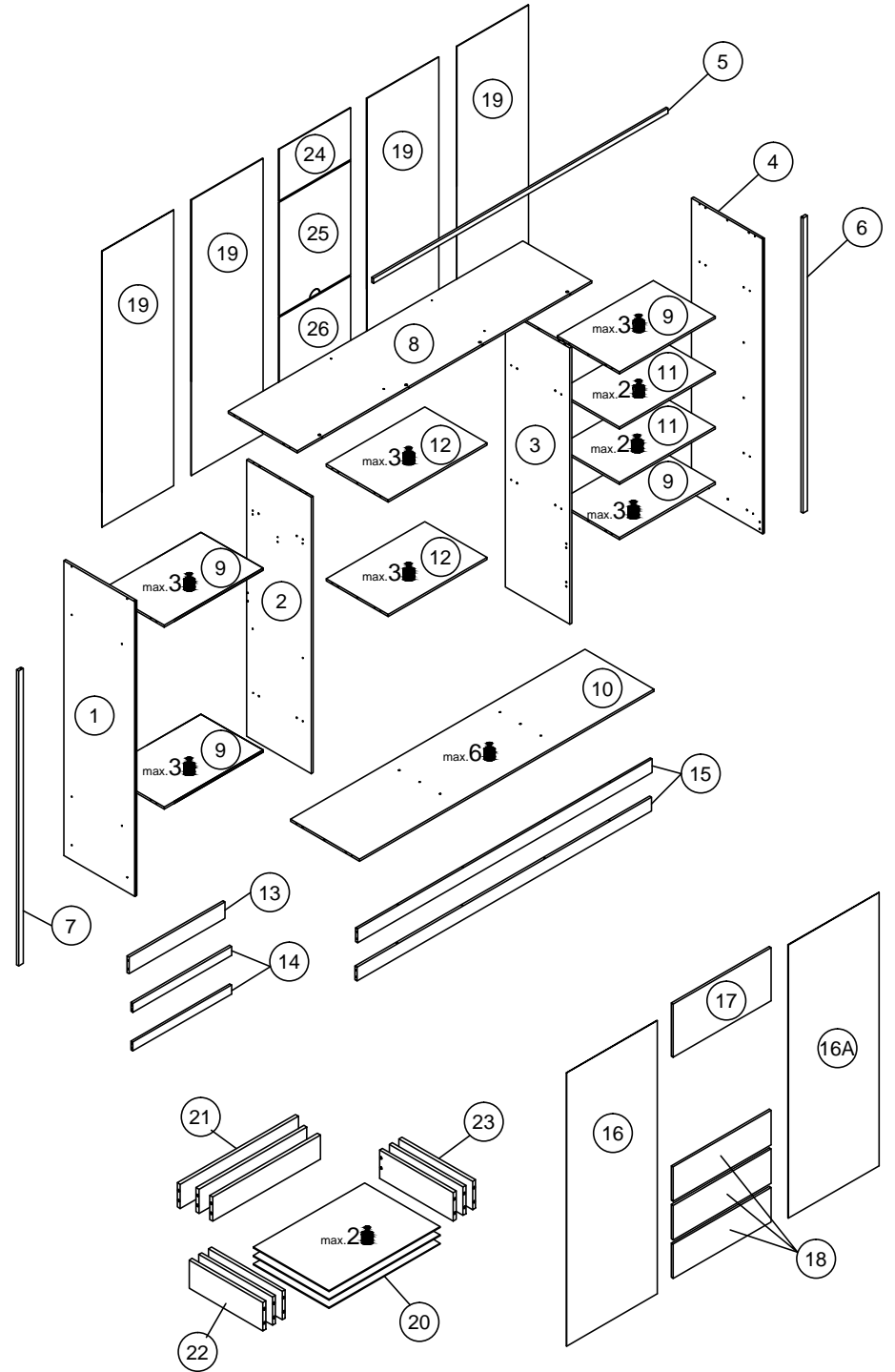
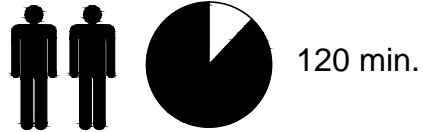
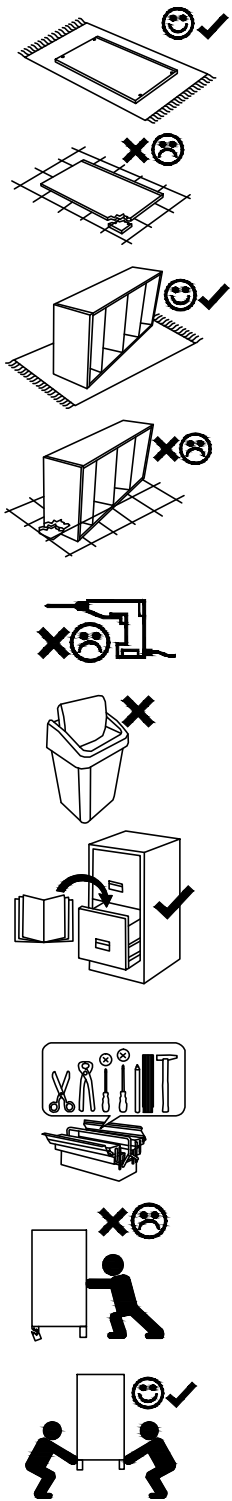
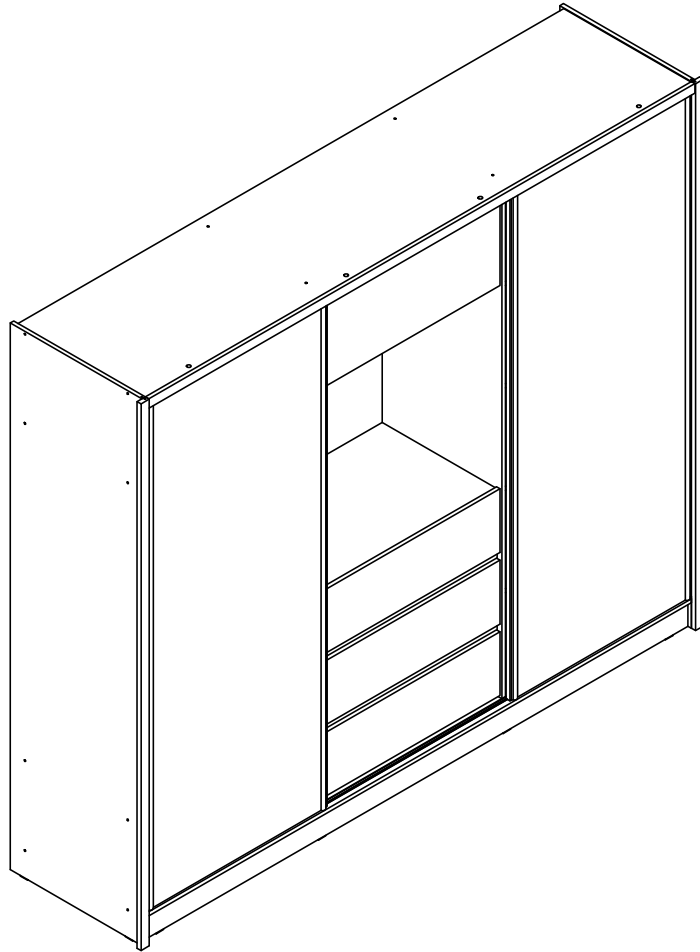


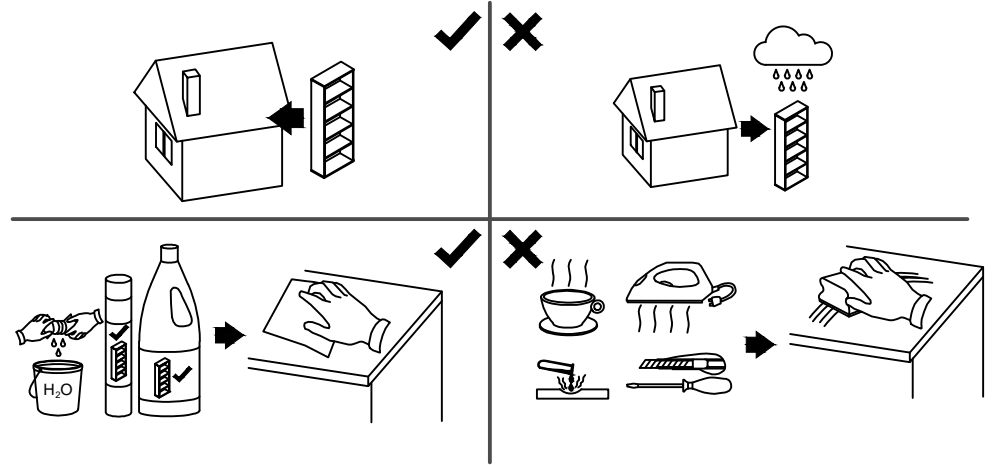
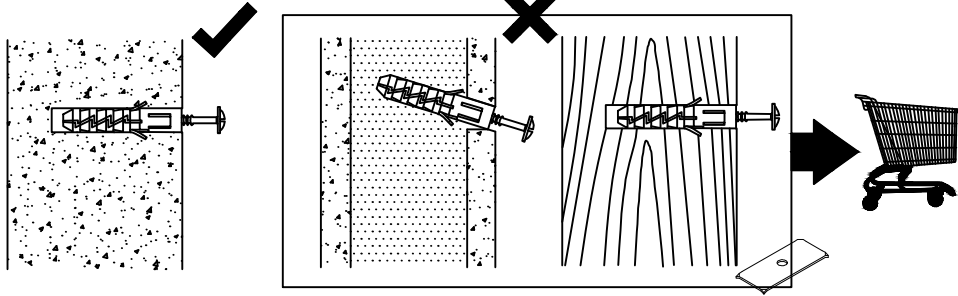
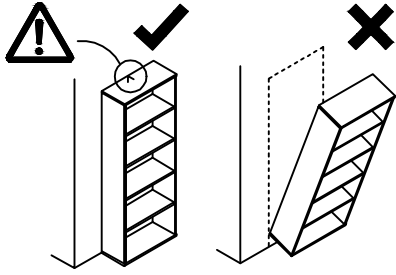
22







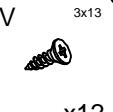
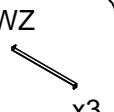
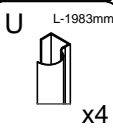
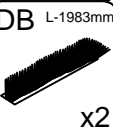
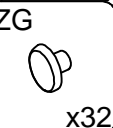

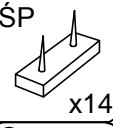
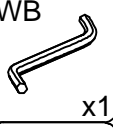
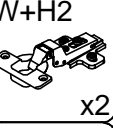

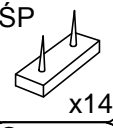
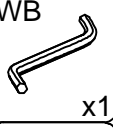
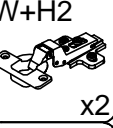






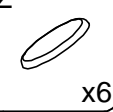


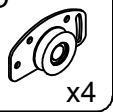
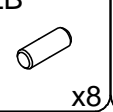
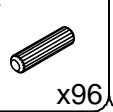

# TV 250

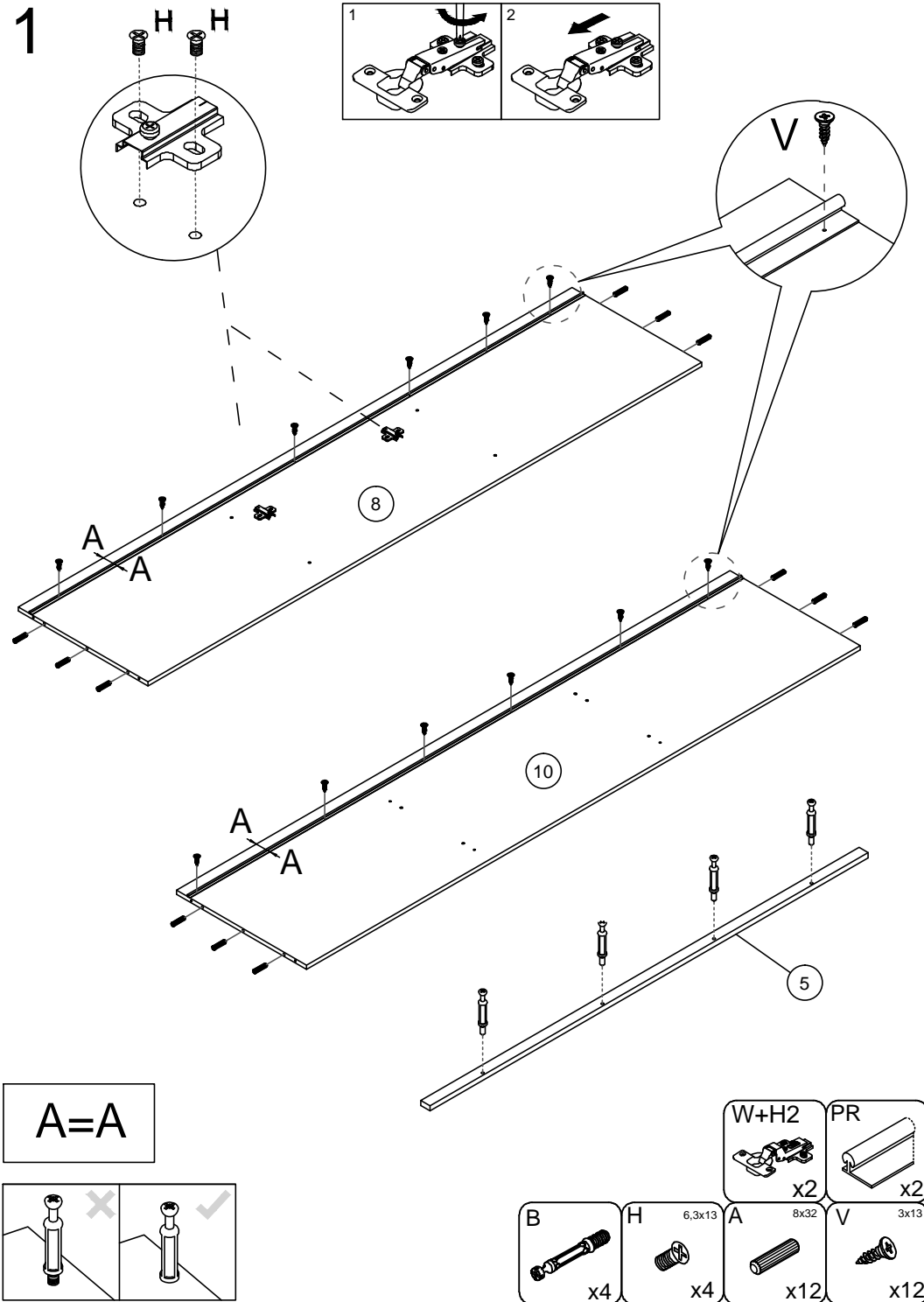




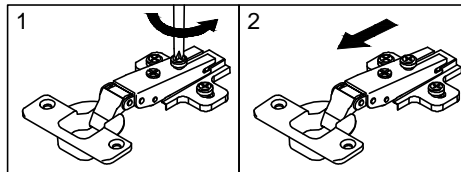
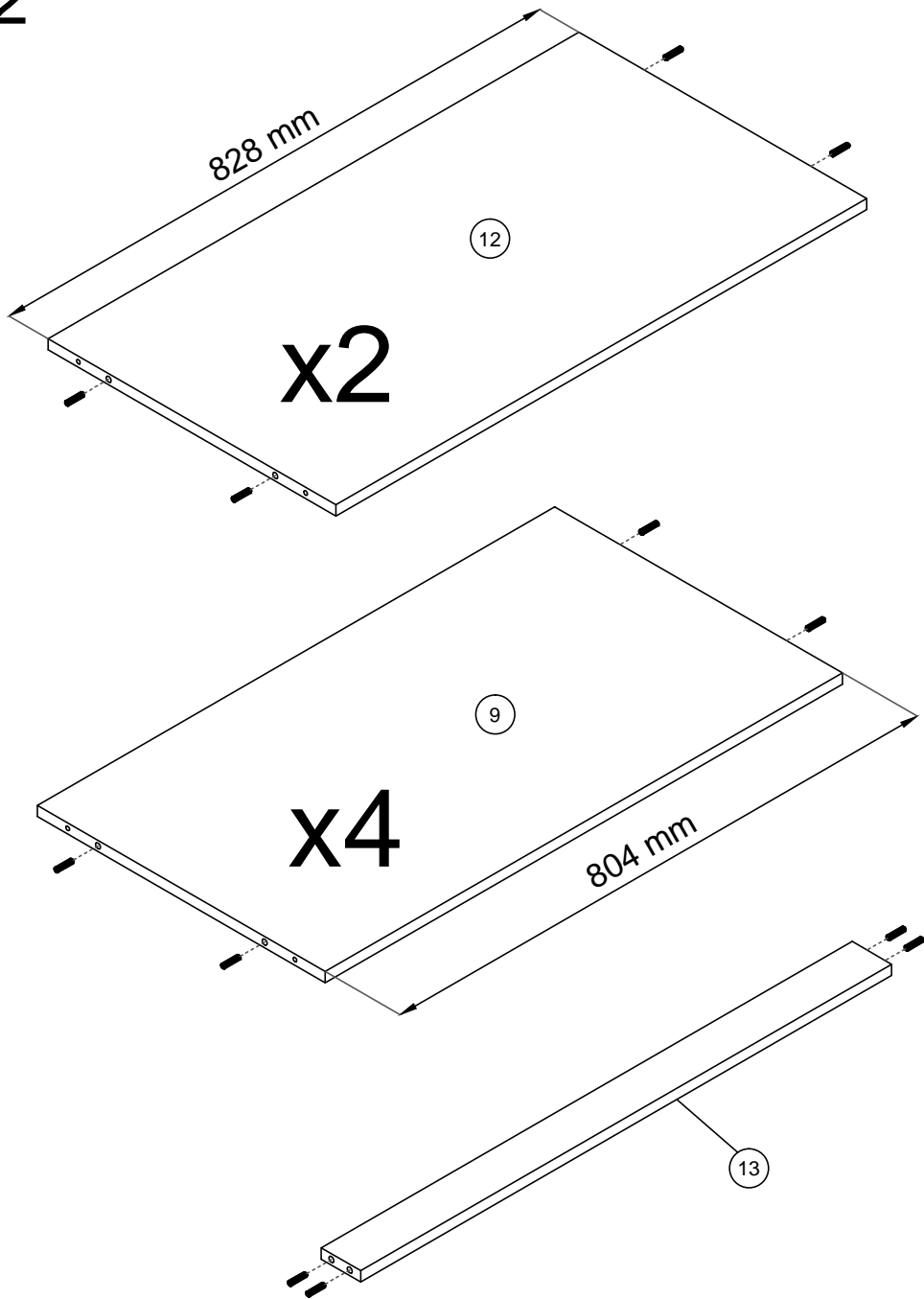
1	2140	595	16	x1	1 / 5
2	2005	542	16	x1	3 / 5
3	2005	542	16	x1	3 / 5
4	2140	595	16	x1	1 / 5
5	2468	37	18	x1	2 / 5
6	2140	37	18	x1	2 / 5
7	2140	37	18	x1	2 / 5
8	2468	578	16	x1	2 / 5
9	804	520	16	x4	4 / 5
10	2468	580	16	x1	2 / 5
11	804	520	16	x2	4 / 5
12	828	520	16	x2	4 / 5
13	804	120	16	x1	3 / 5

14	828	65	16	x2	2 / 5
15	2468	100	16	x2	2 / 5
16A	1983	809	16	x2	5 / 5
17	822	386	16	x1	3 / 5
18	822	250	18	x3	3 / 5
19	2038	408	3	x4	1 / 5
20	800	455	3	x3	1 / 5
21	770	175	16	x3	3 / 5
22	450	180	16	x3	3 / 5
23	450	180	16	x3	3 / 5
24	842	386	3	x1	5 / 5
25	842	830	3	x1	5 / 5
26	842	820	3	x1	5 / 5

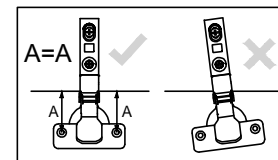
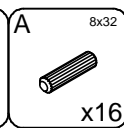
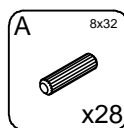
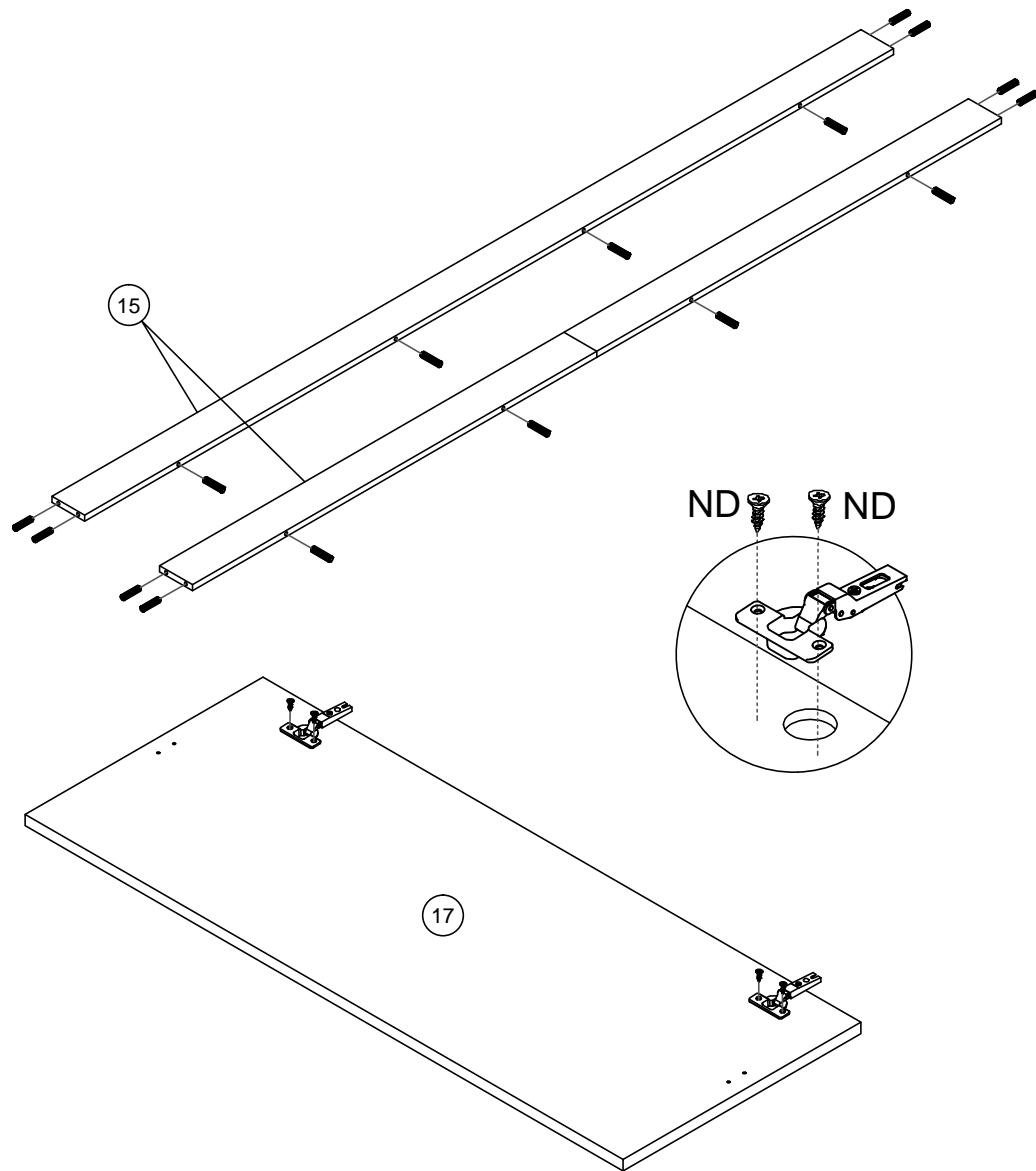
G2  x2	ZC  x40	V 3x13  x12	WZ  x3
U L-1983mm  x4	DB L-1983mm  x2	ZG  x32	YD 7x50  x40
N 3x20  x124	S 2005 mm  x2	W6 L-796mm  x1	RPS 450mm  x3
ŚP  x14	WB  x1	W+H2  x2	GLUE  x1
DA  x4	LM  x12	H 6,3x13  x20	X  x8
C  x16	Z  x6	T  x2	ND 3,5x16  x66
D  x4	ZB  x8	A 8x32  x96	B  x16



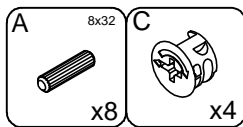
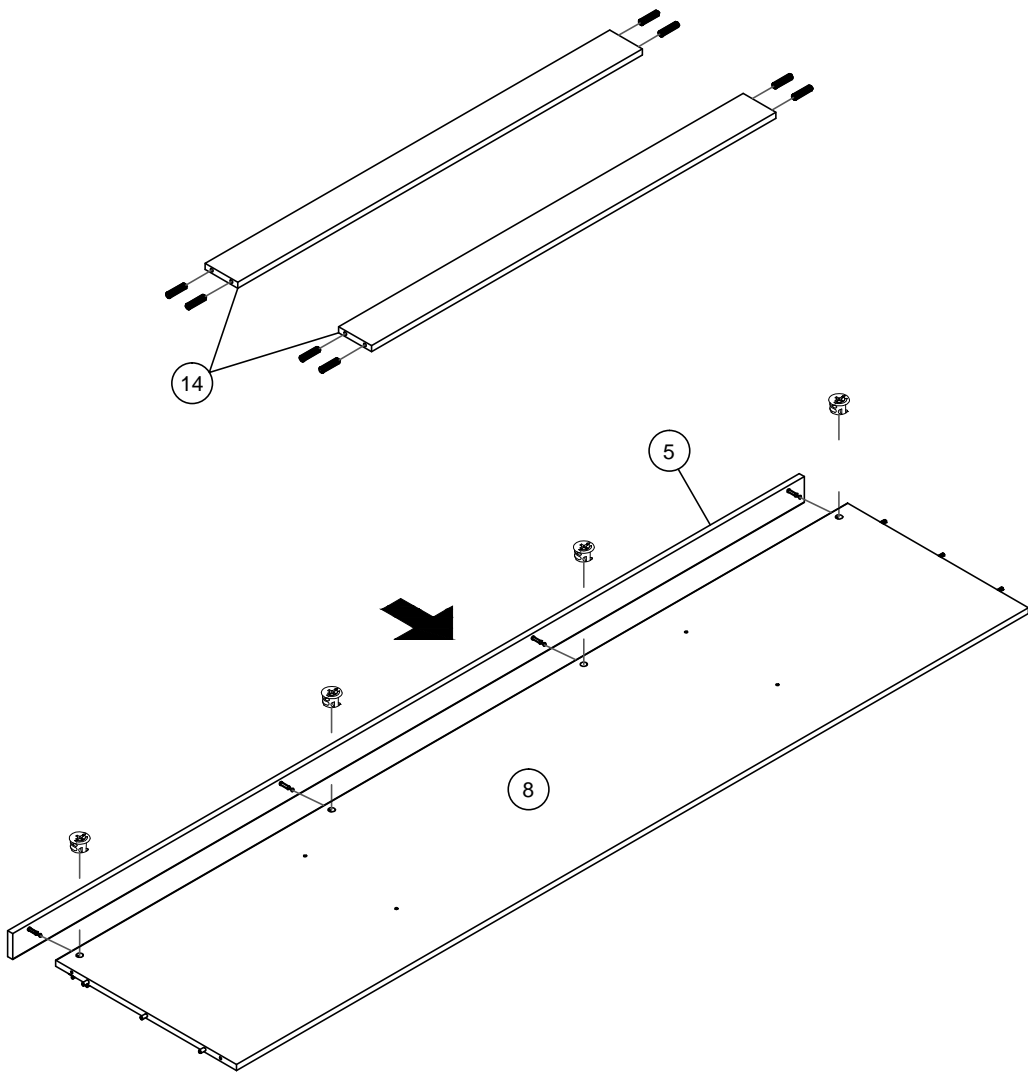
2



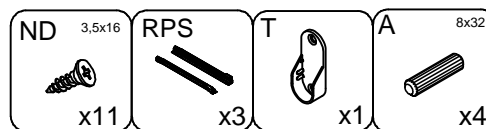
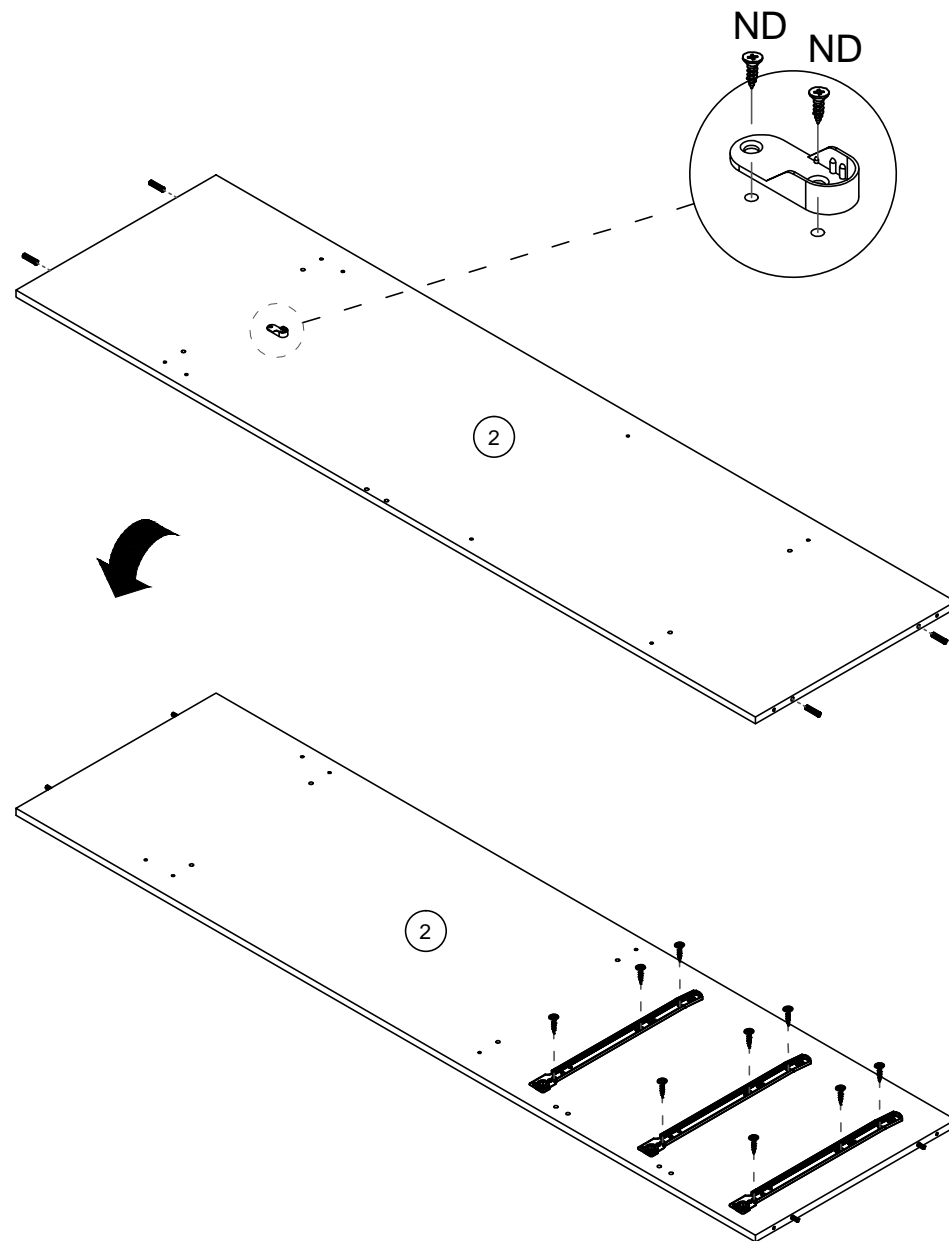
3



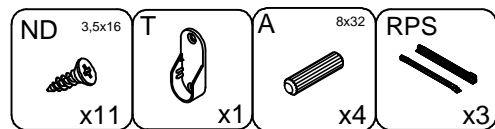
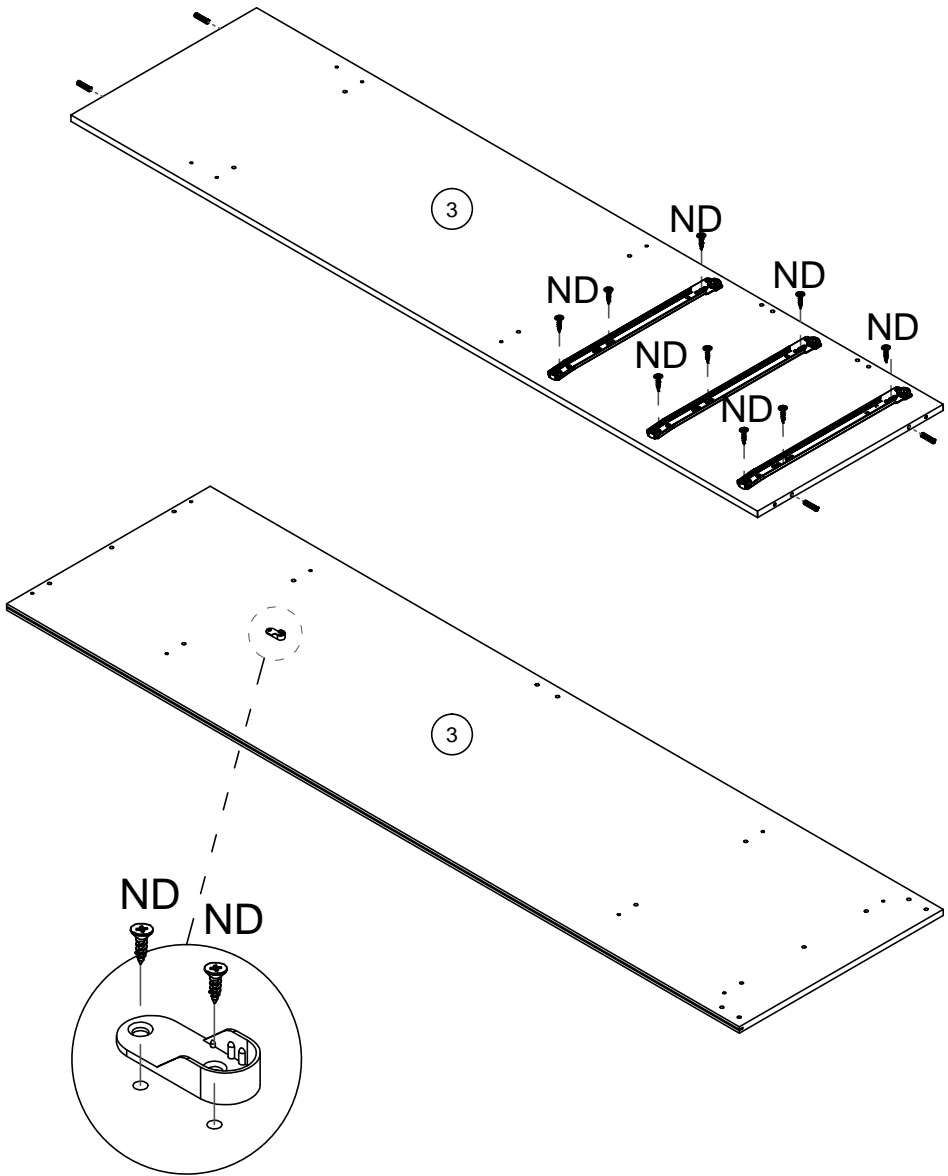
4



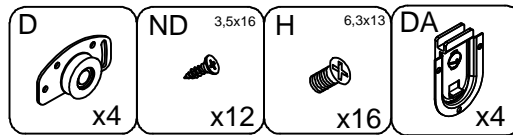
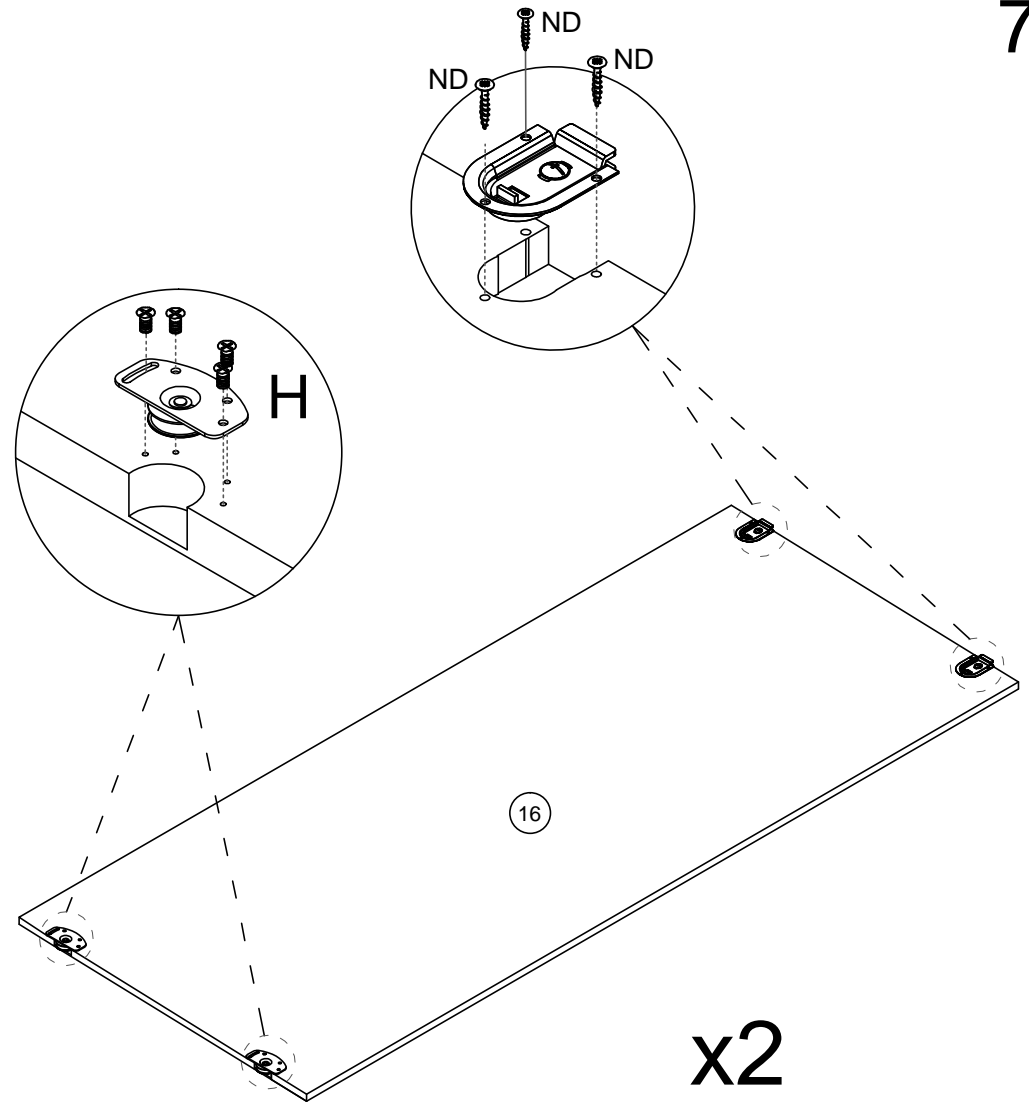
5



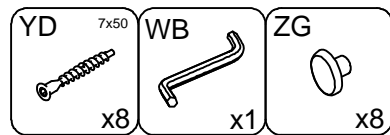
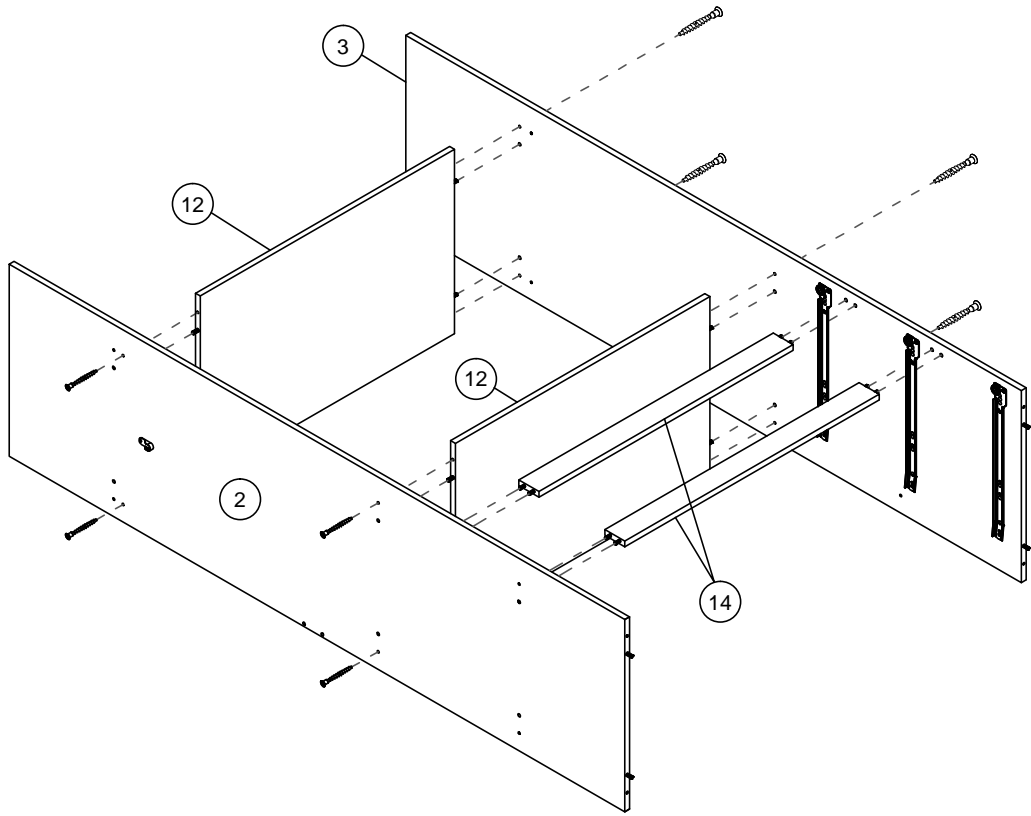
6



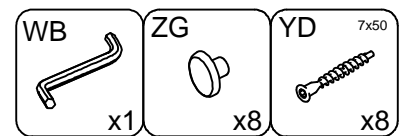
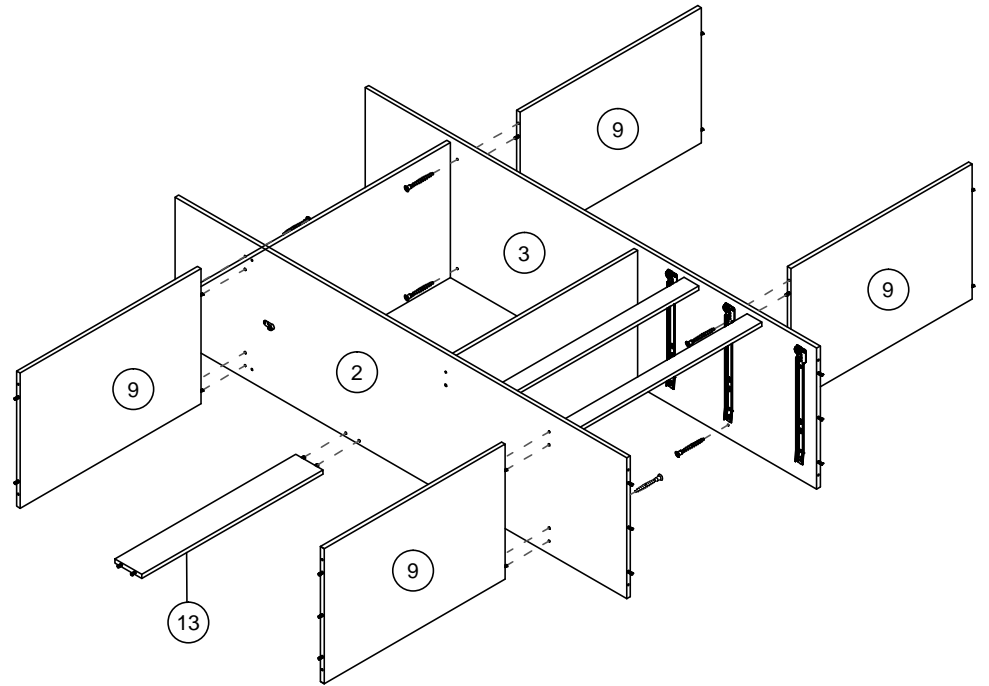
7

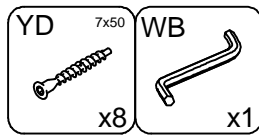
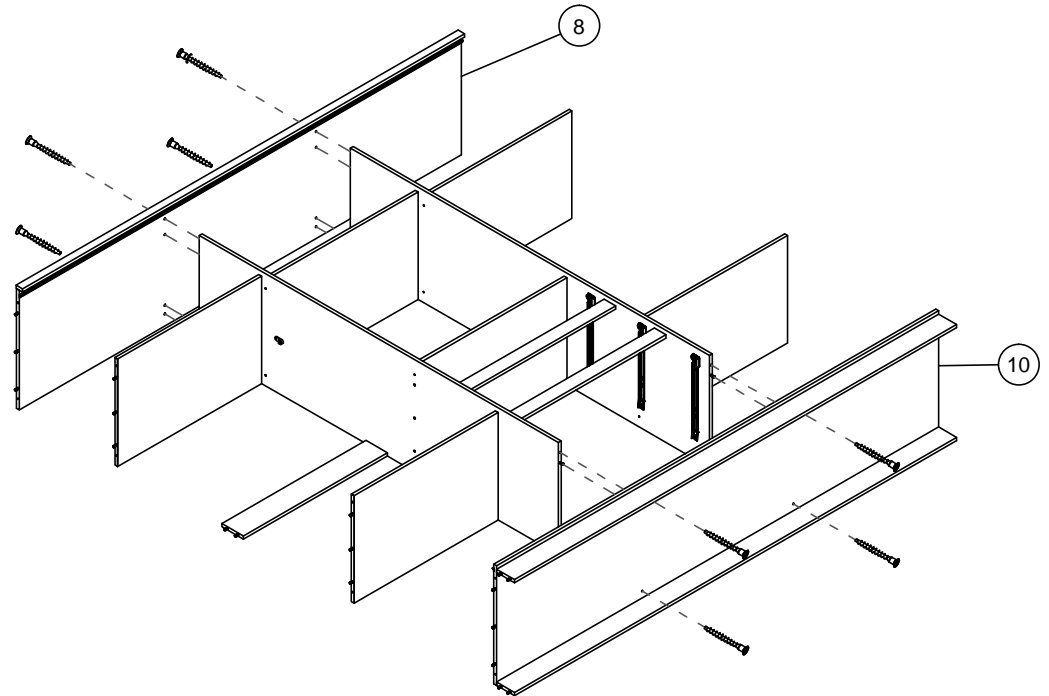
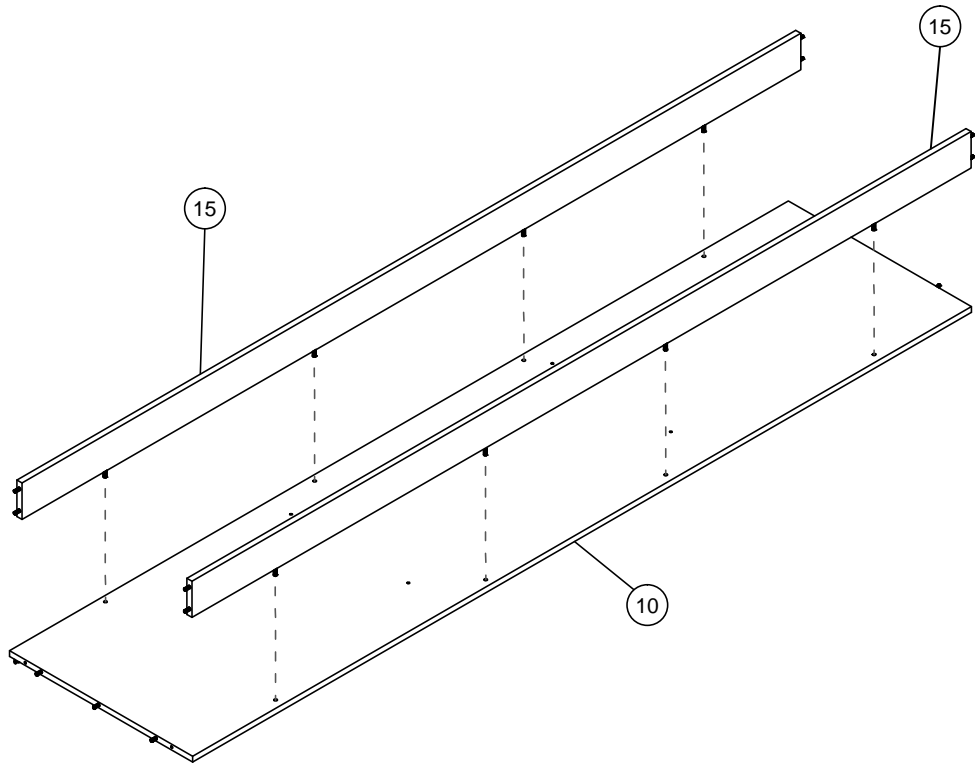


8

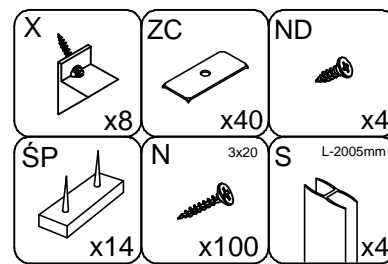
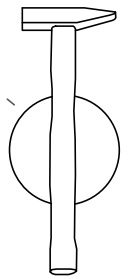
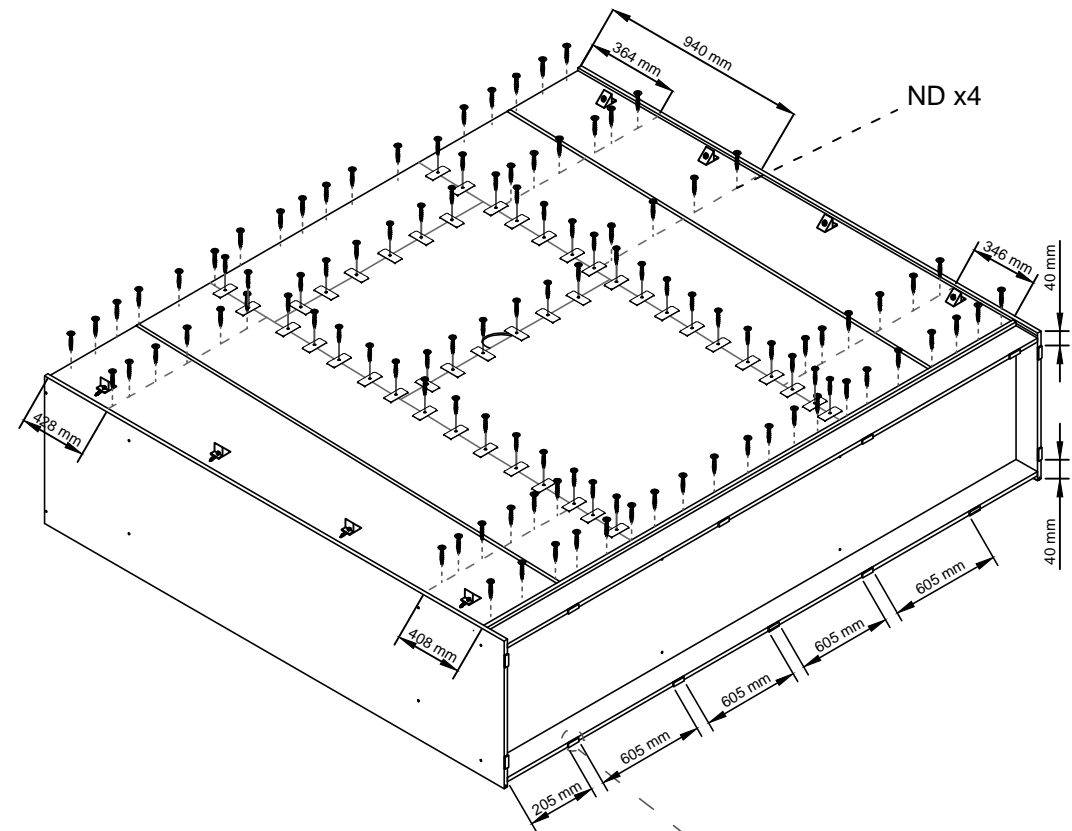
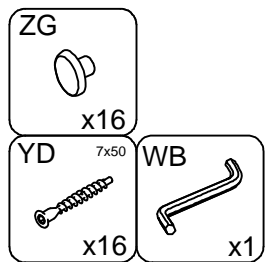
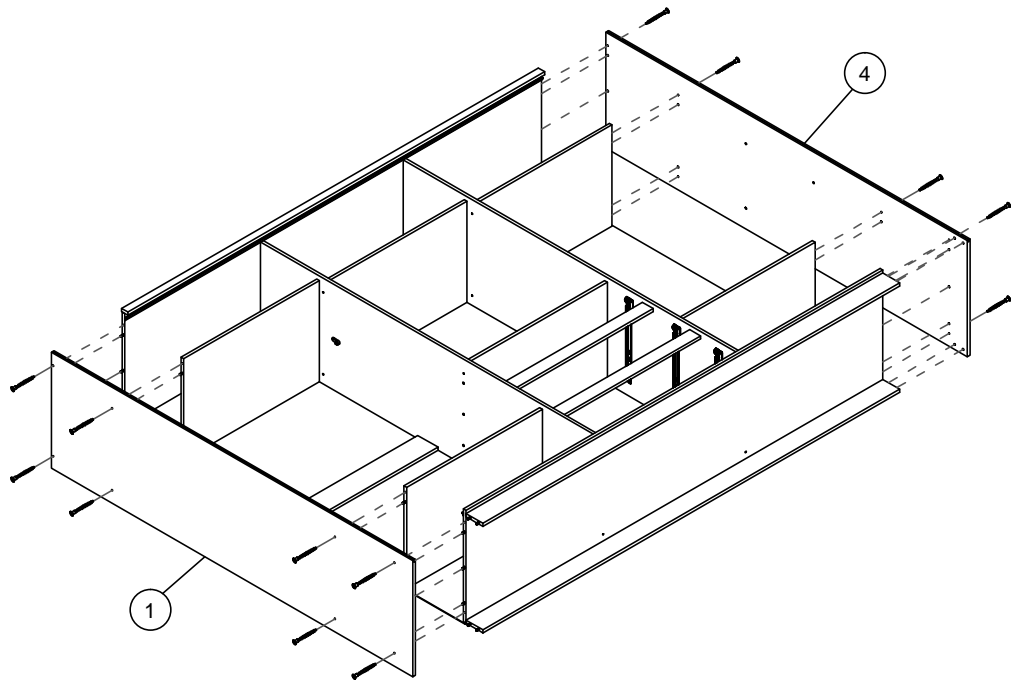


9

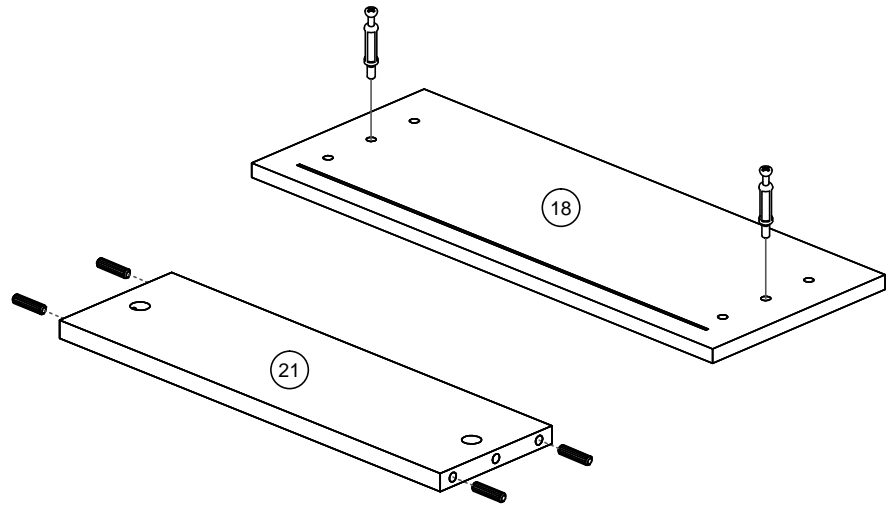
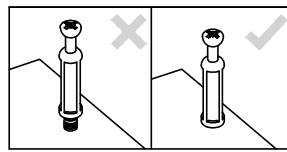




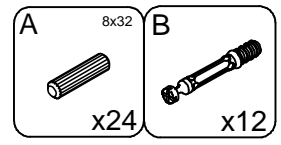
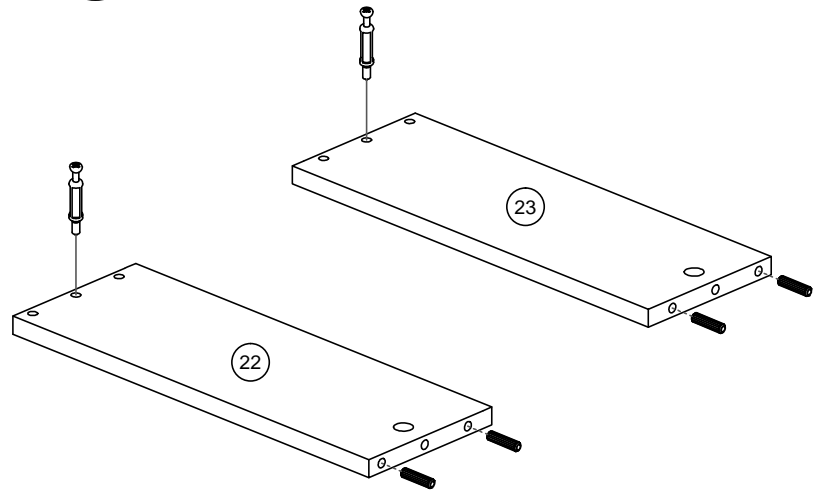




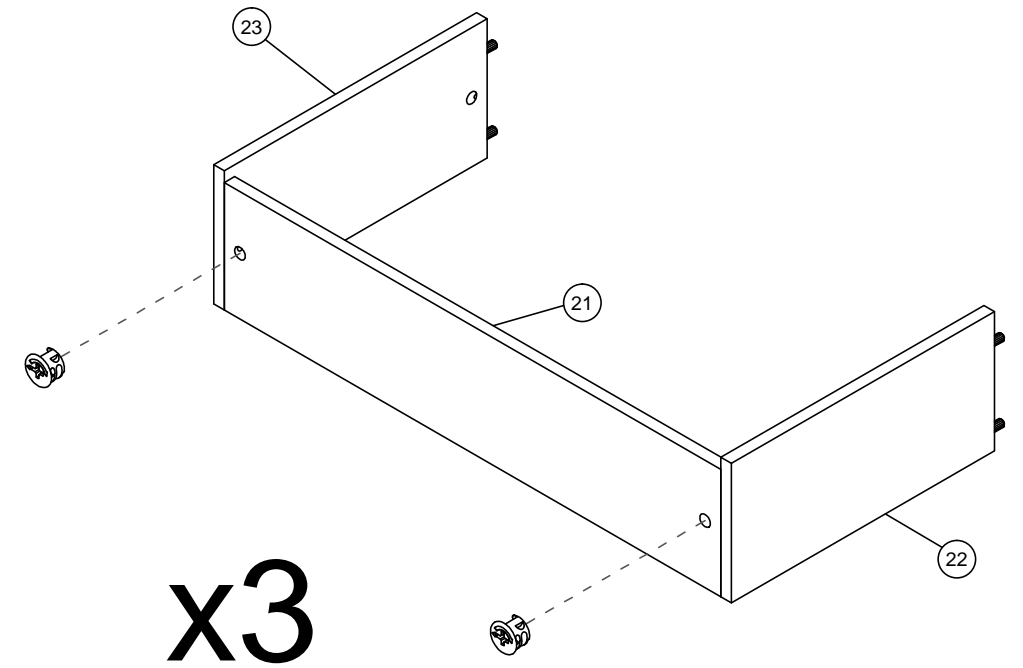
14



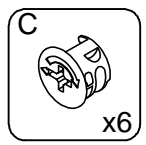
x3

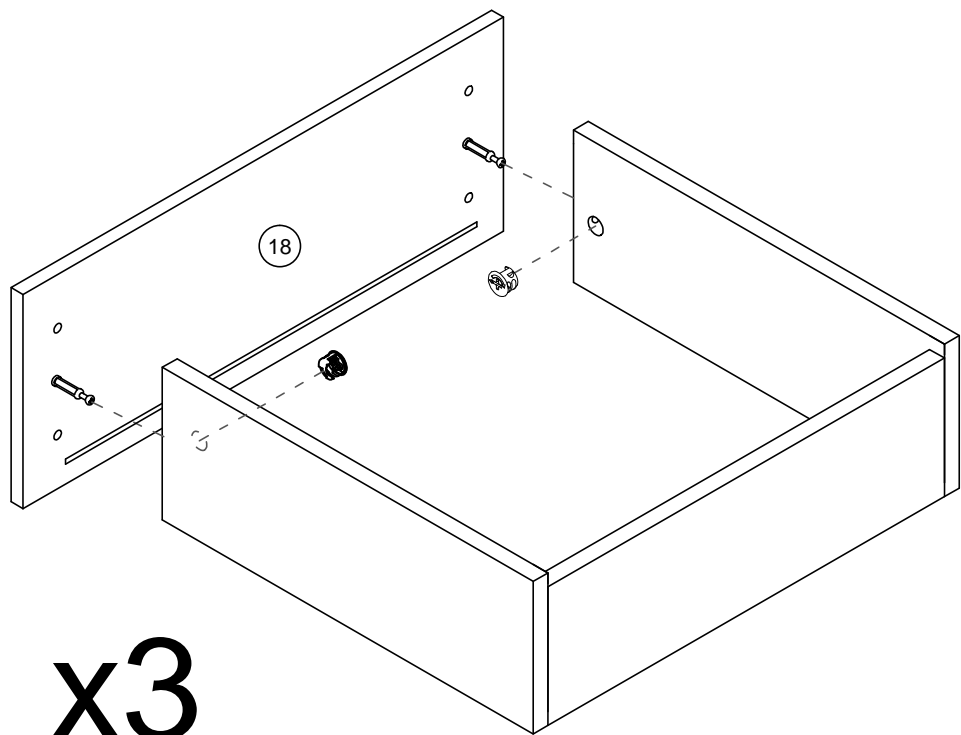


15

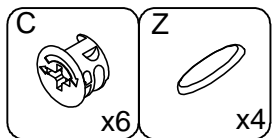


x3

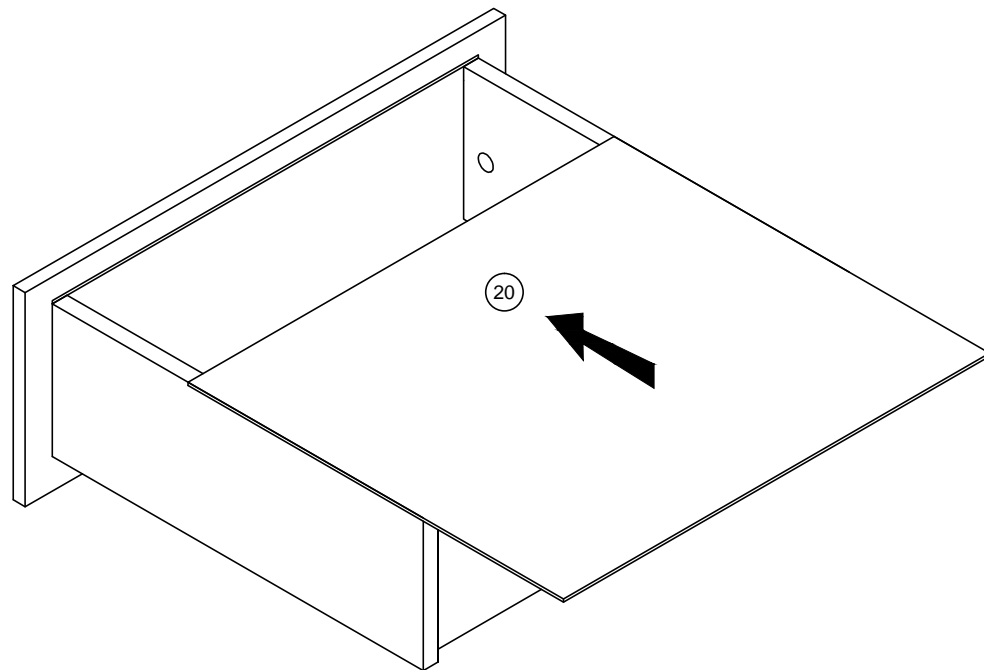


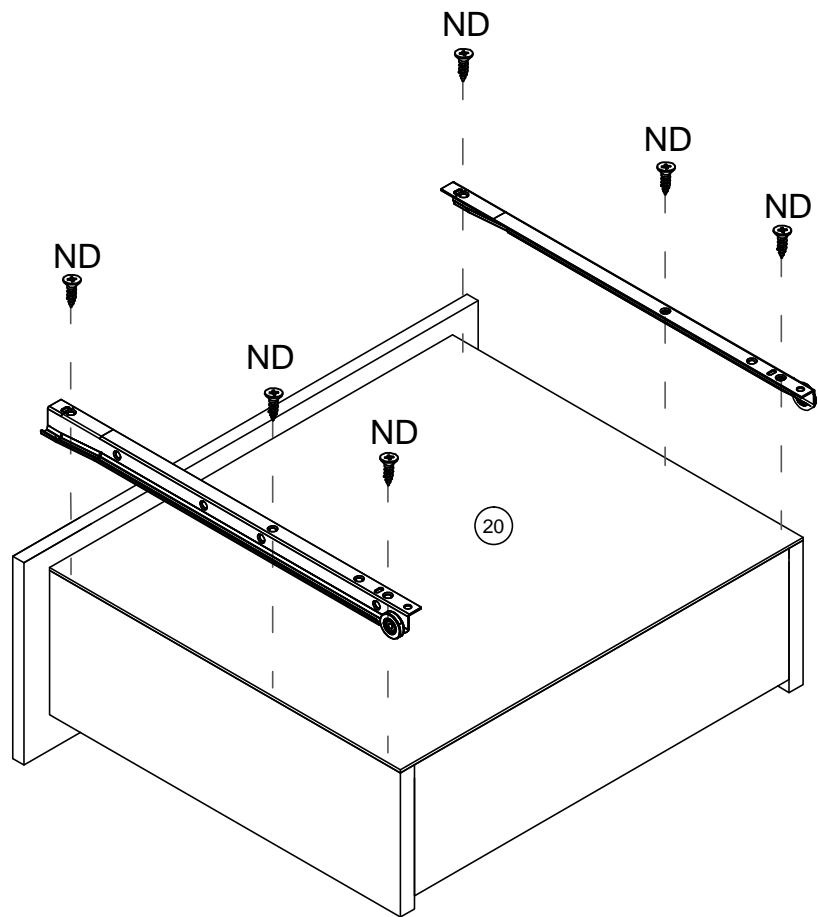


x3

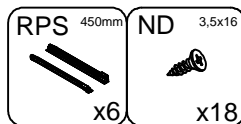


x3

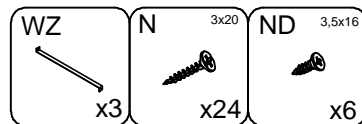
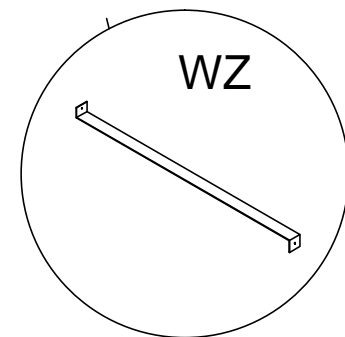
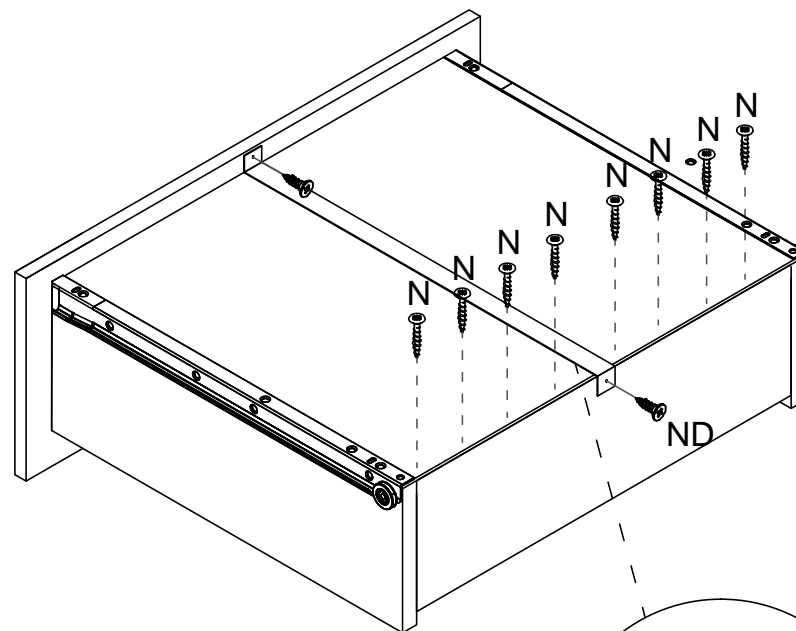




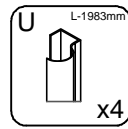
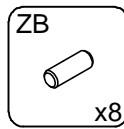
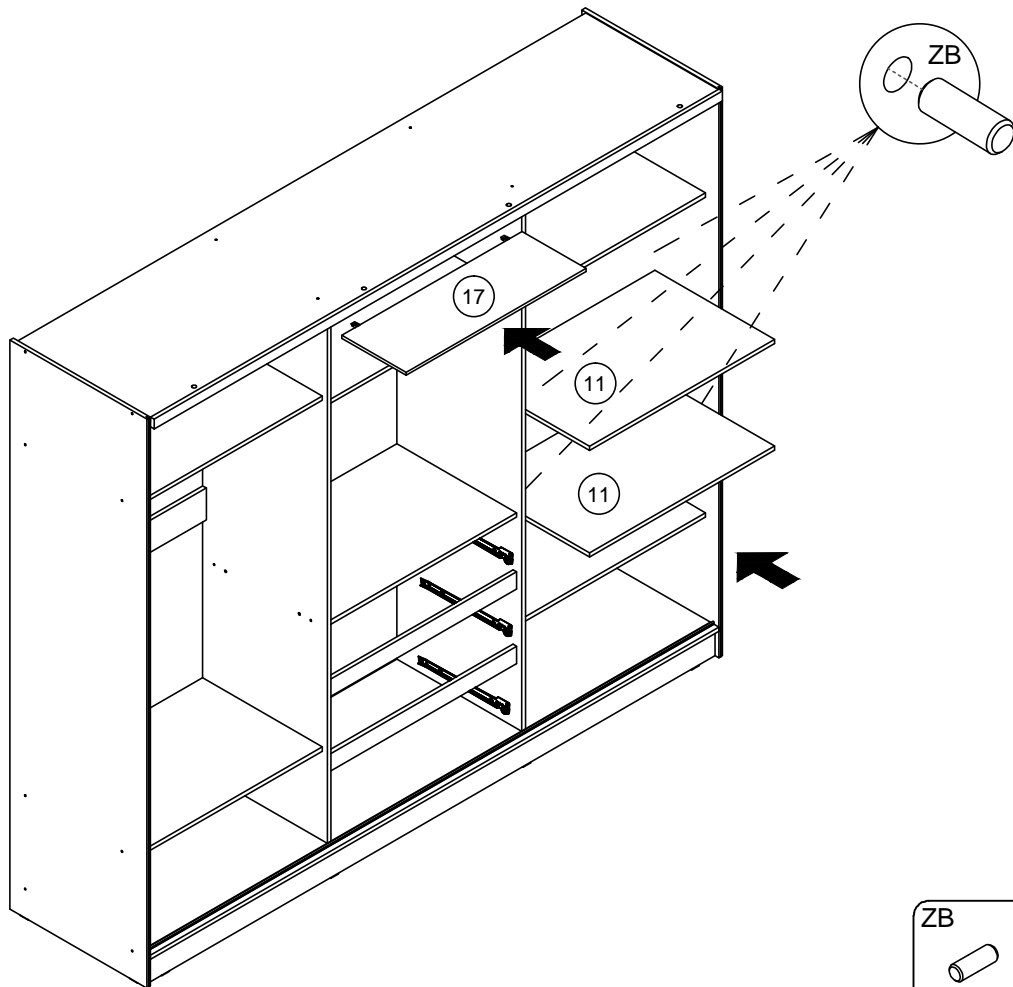
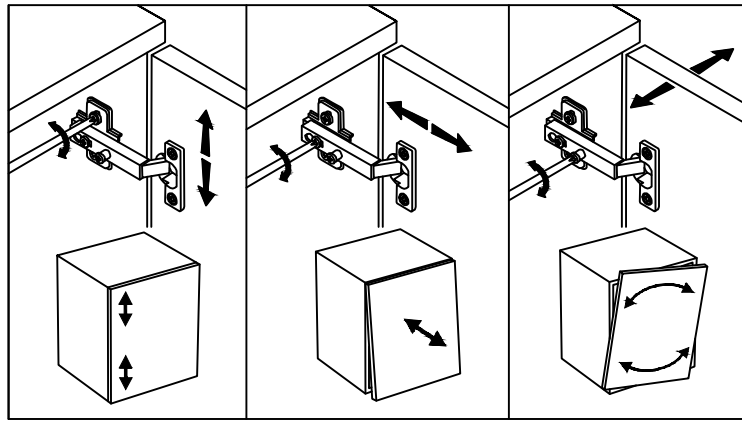
x3



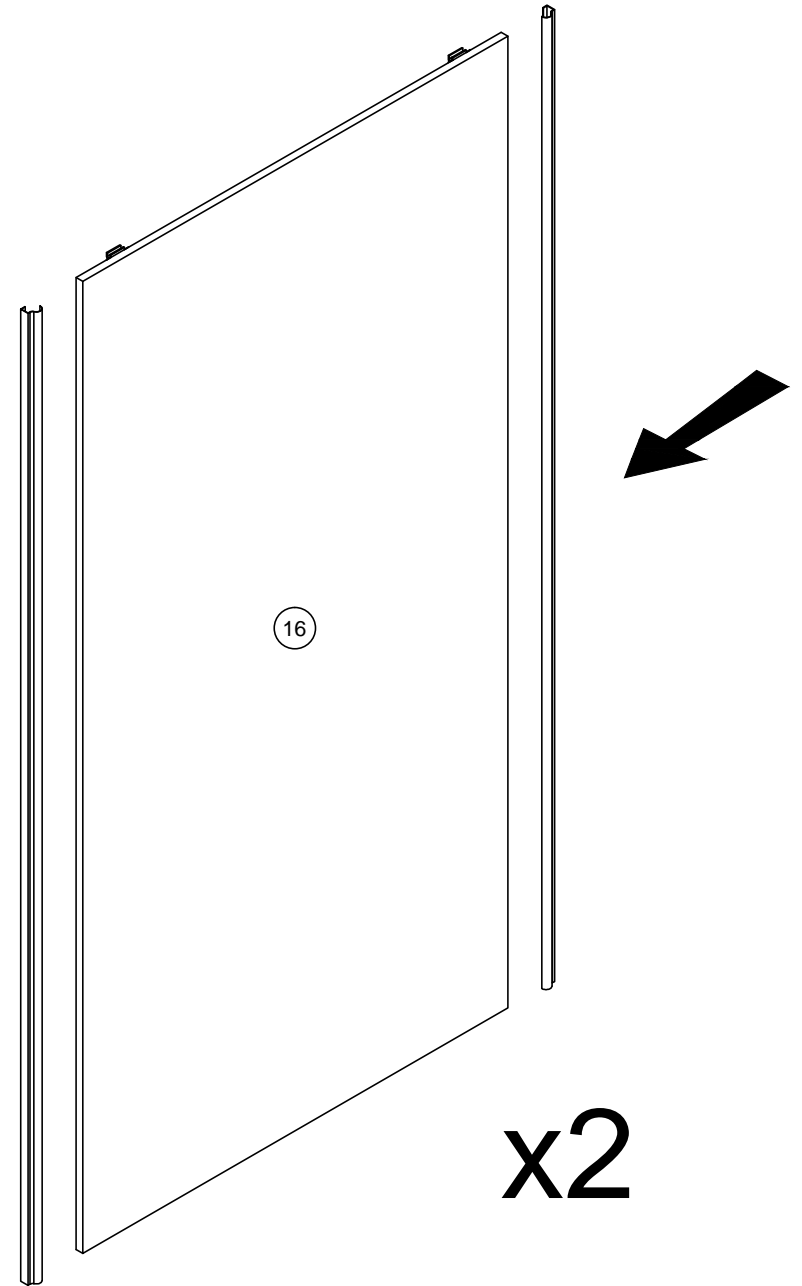
x3



20

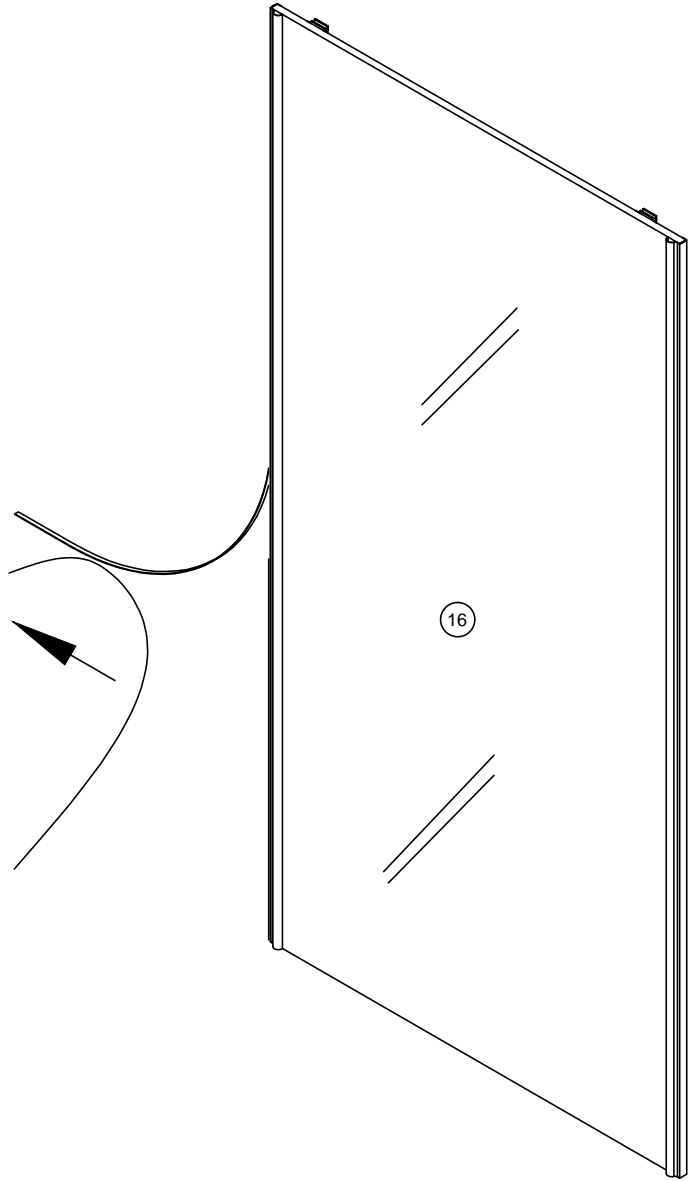


21

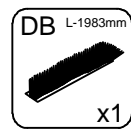
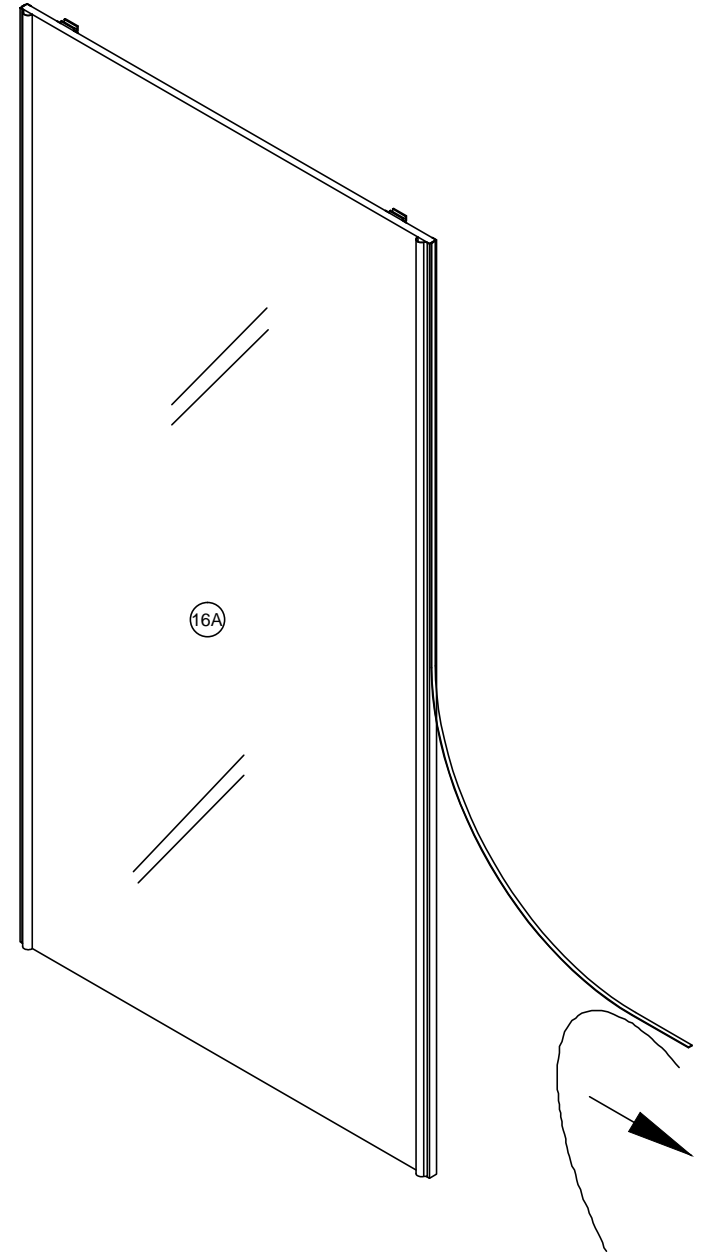


x2

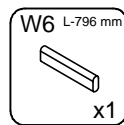
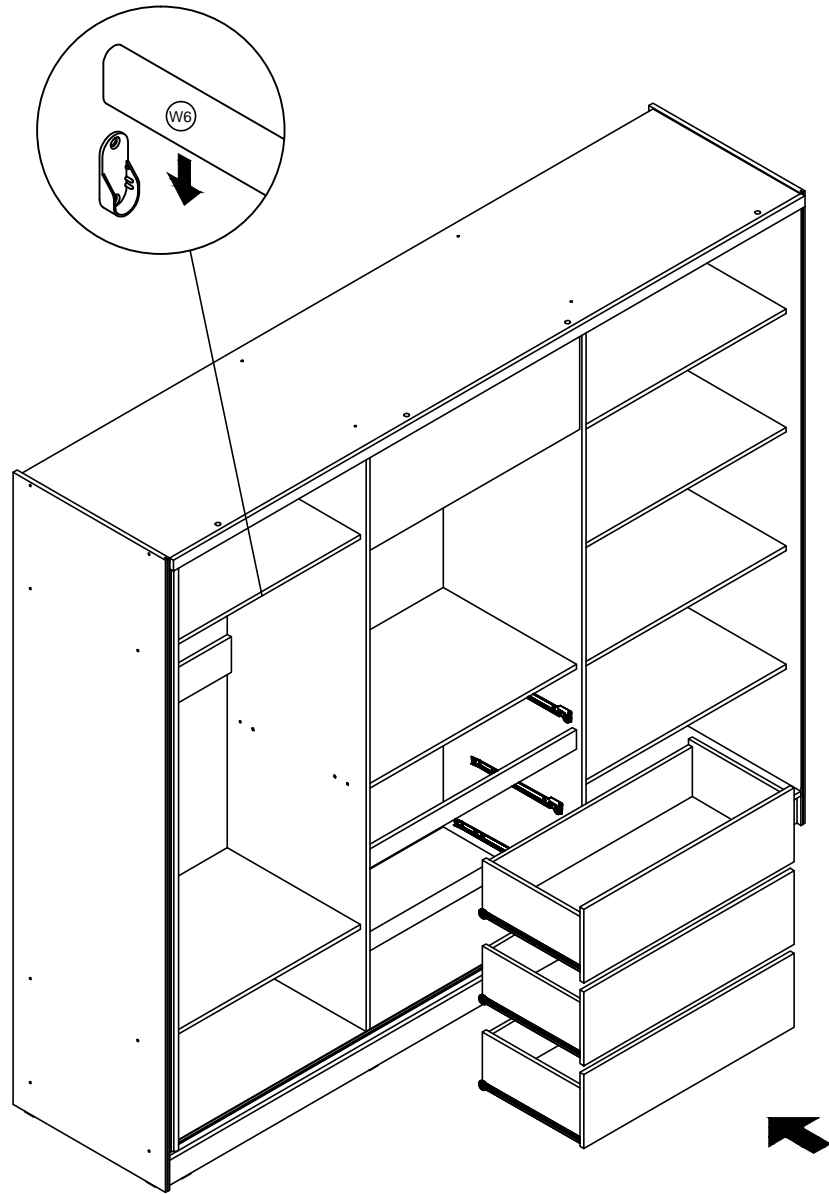
22



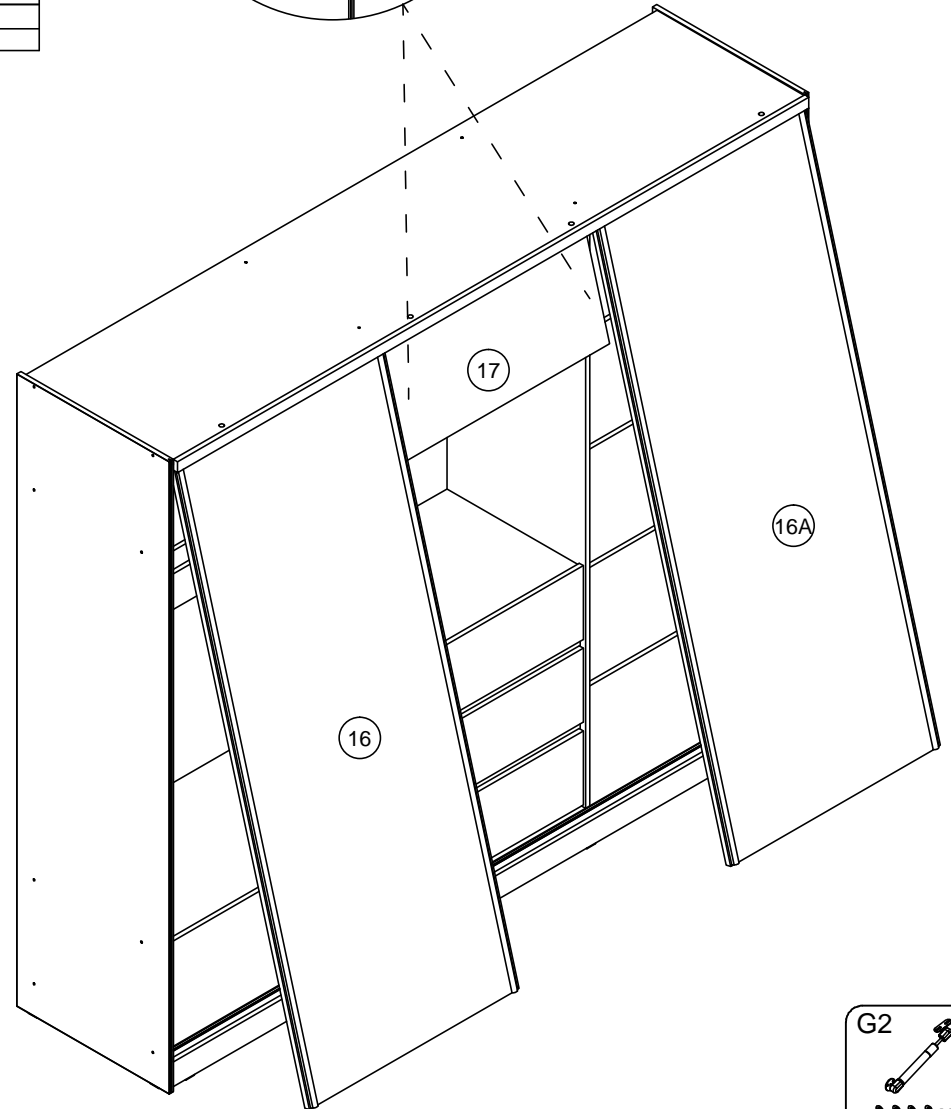
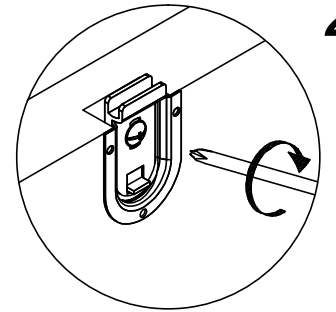
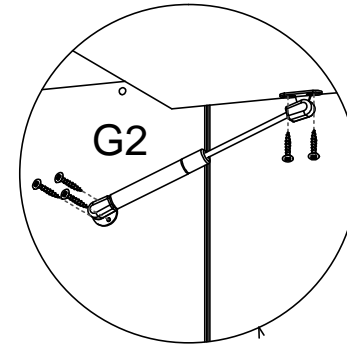
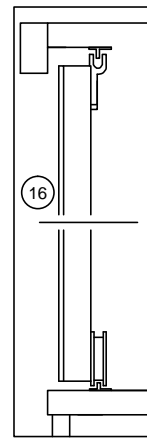
23

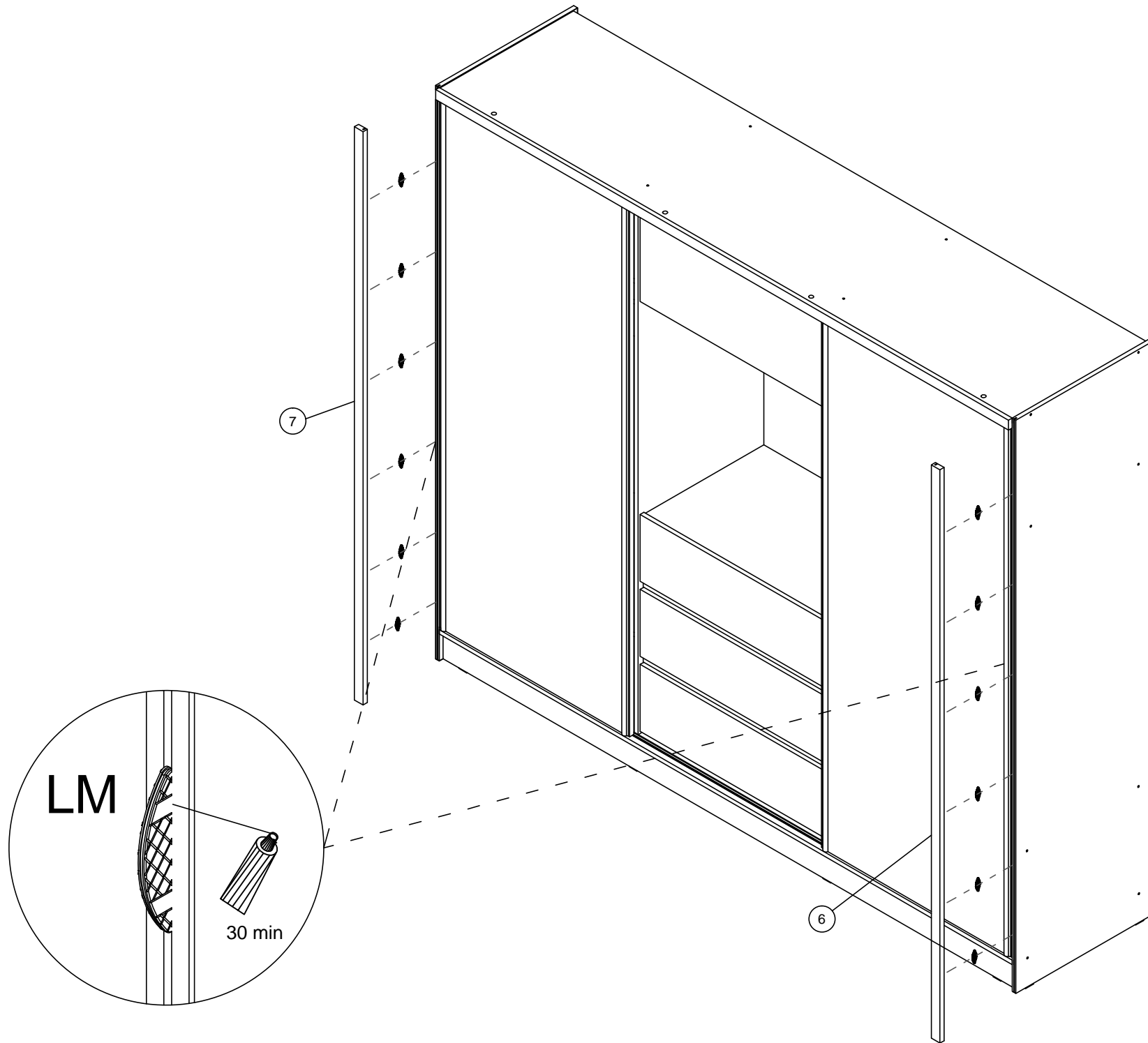




24



25





LM	GLUE
	
x12	x1