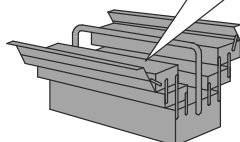
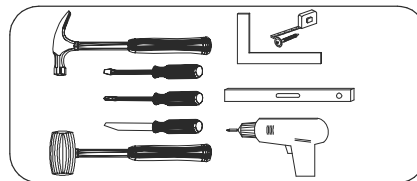
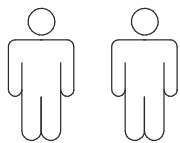
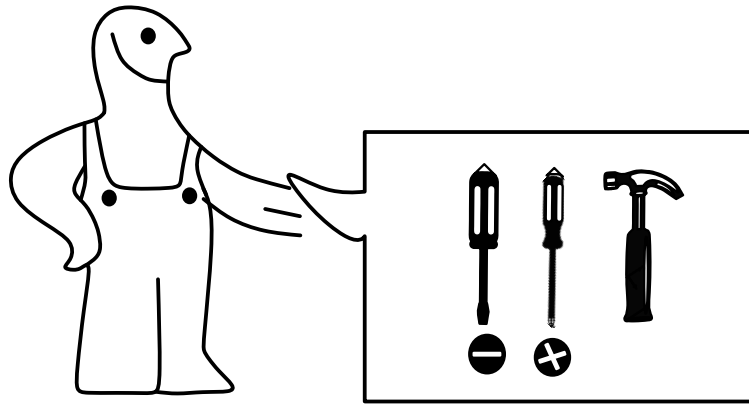


T9031  
16-IZ-39

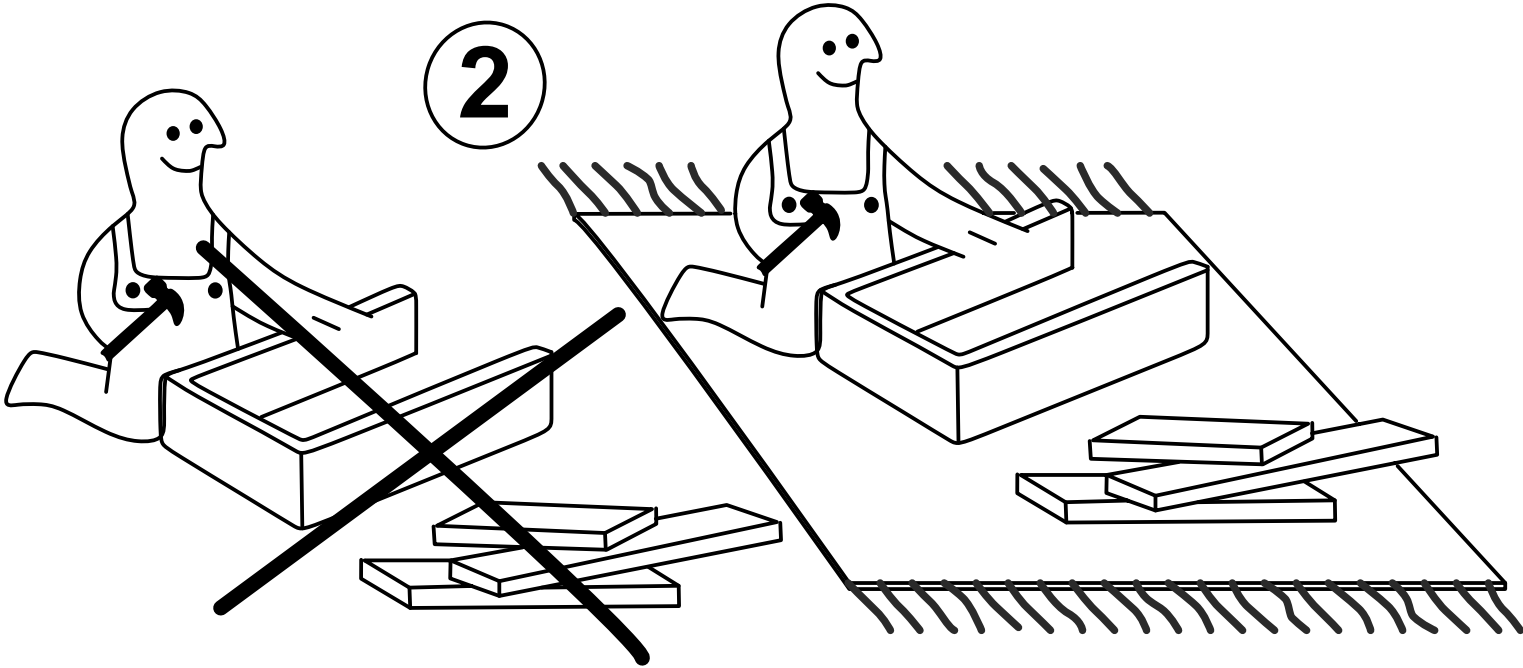


AS-65-WB  
LN-65-LV

1



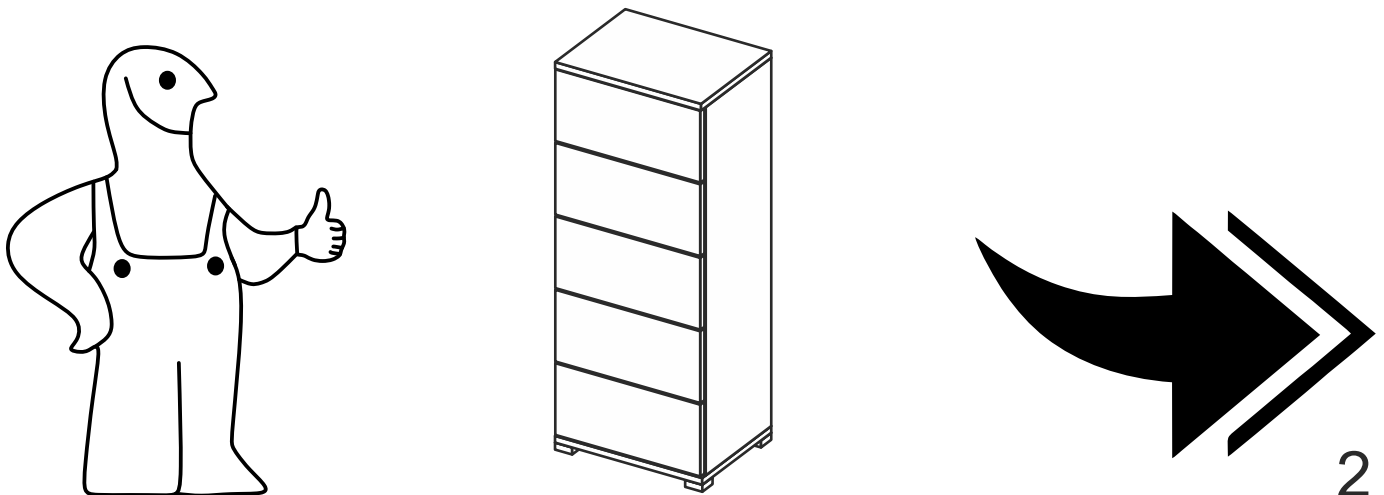
2

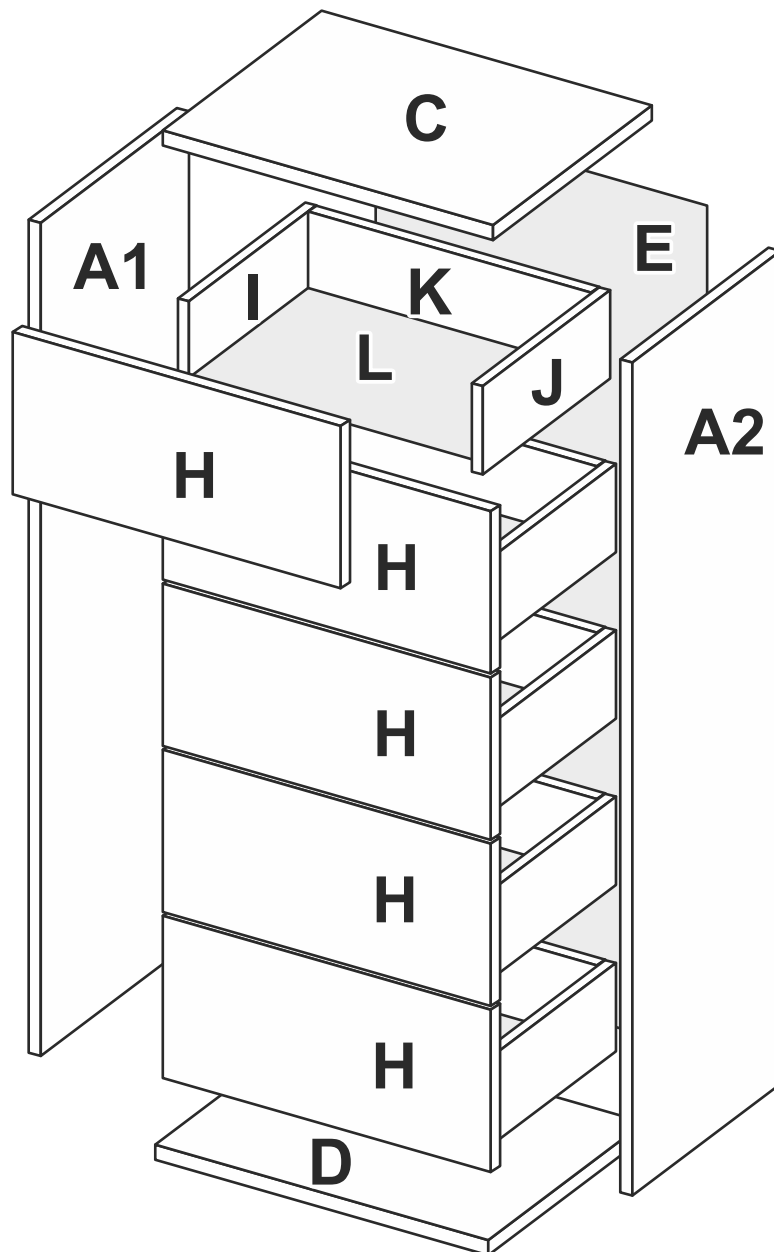


3

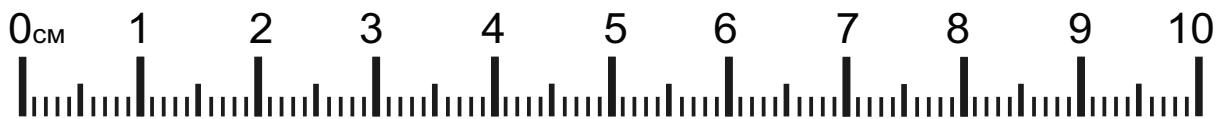
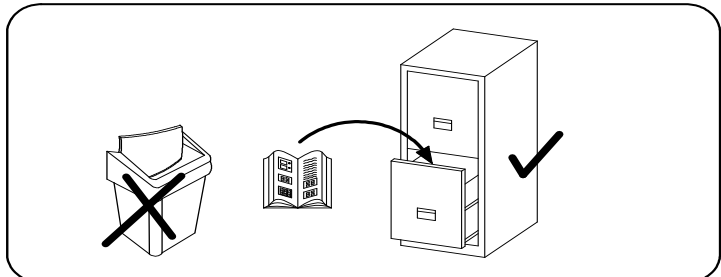
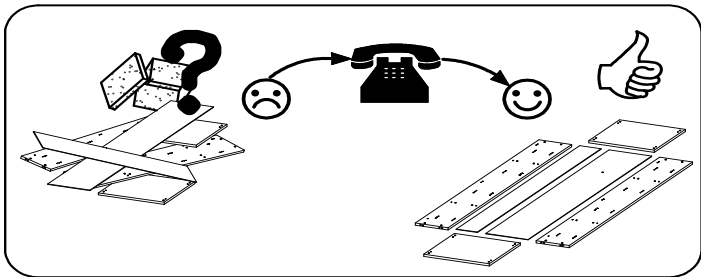
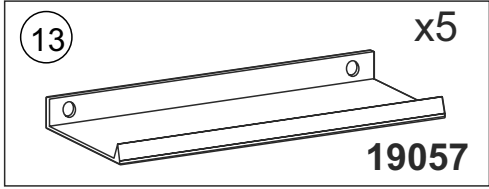
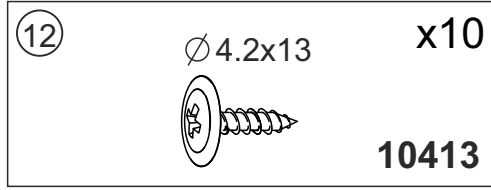
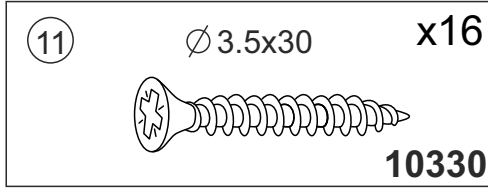
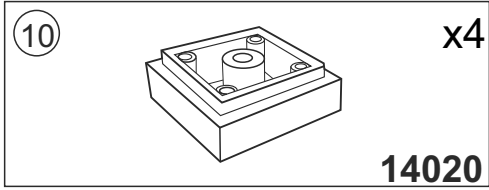
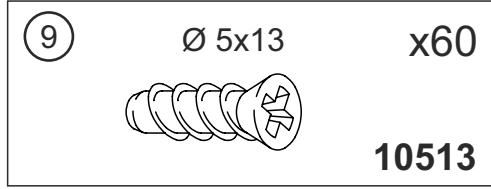
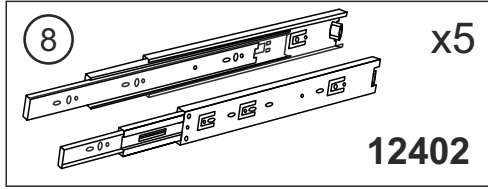
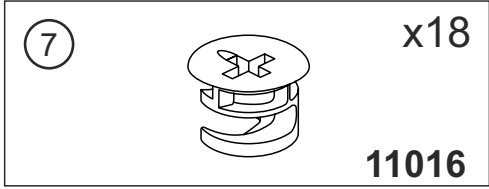
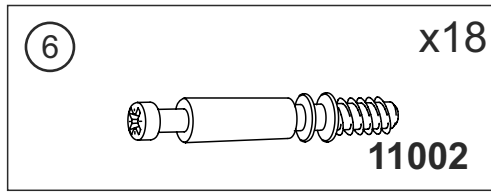
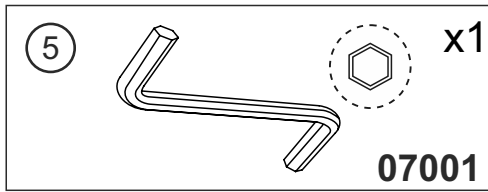
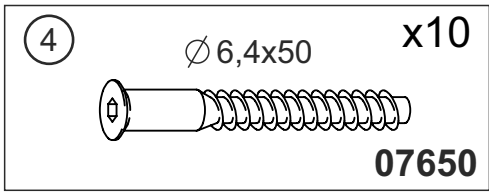
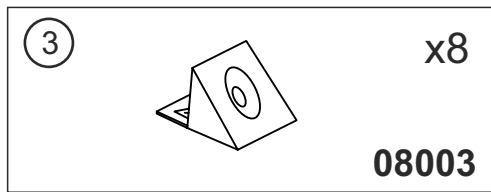
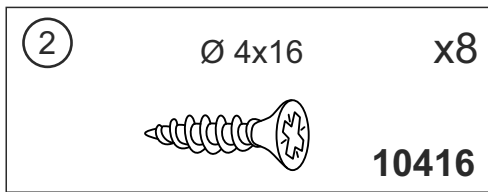
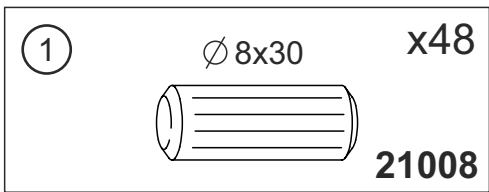


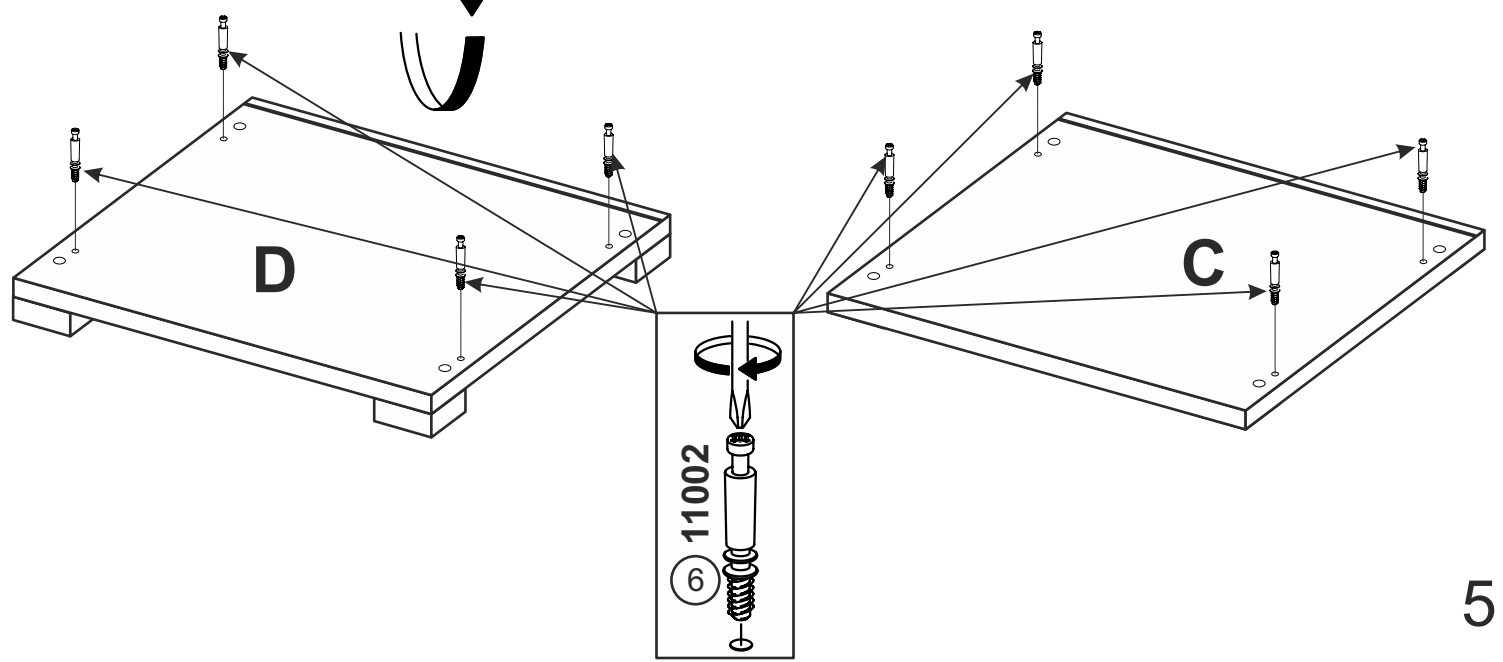
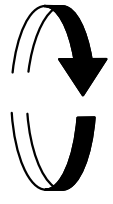
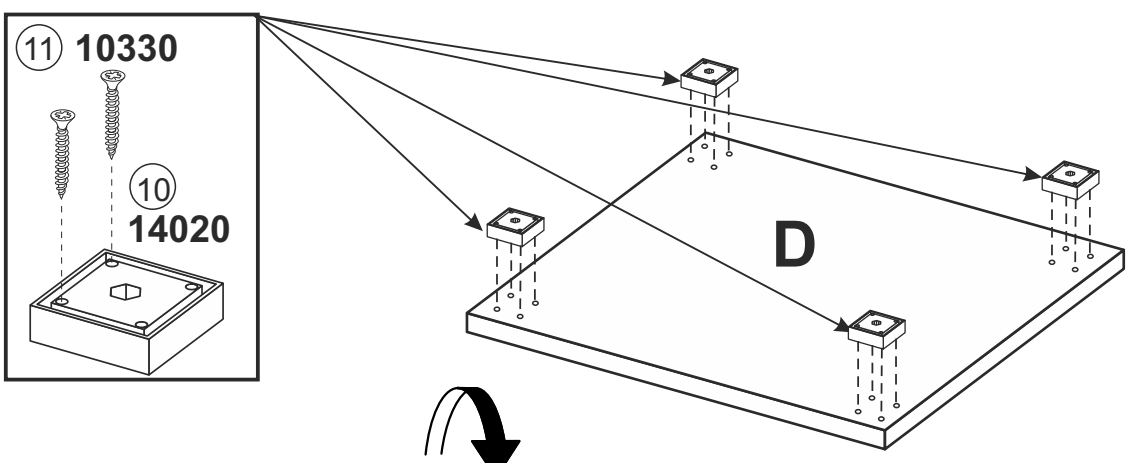
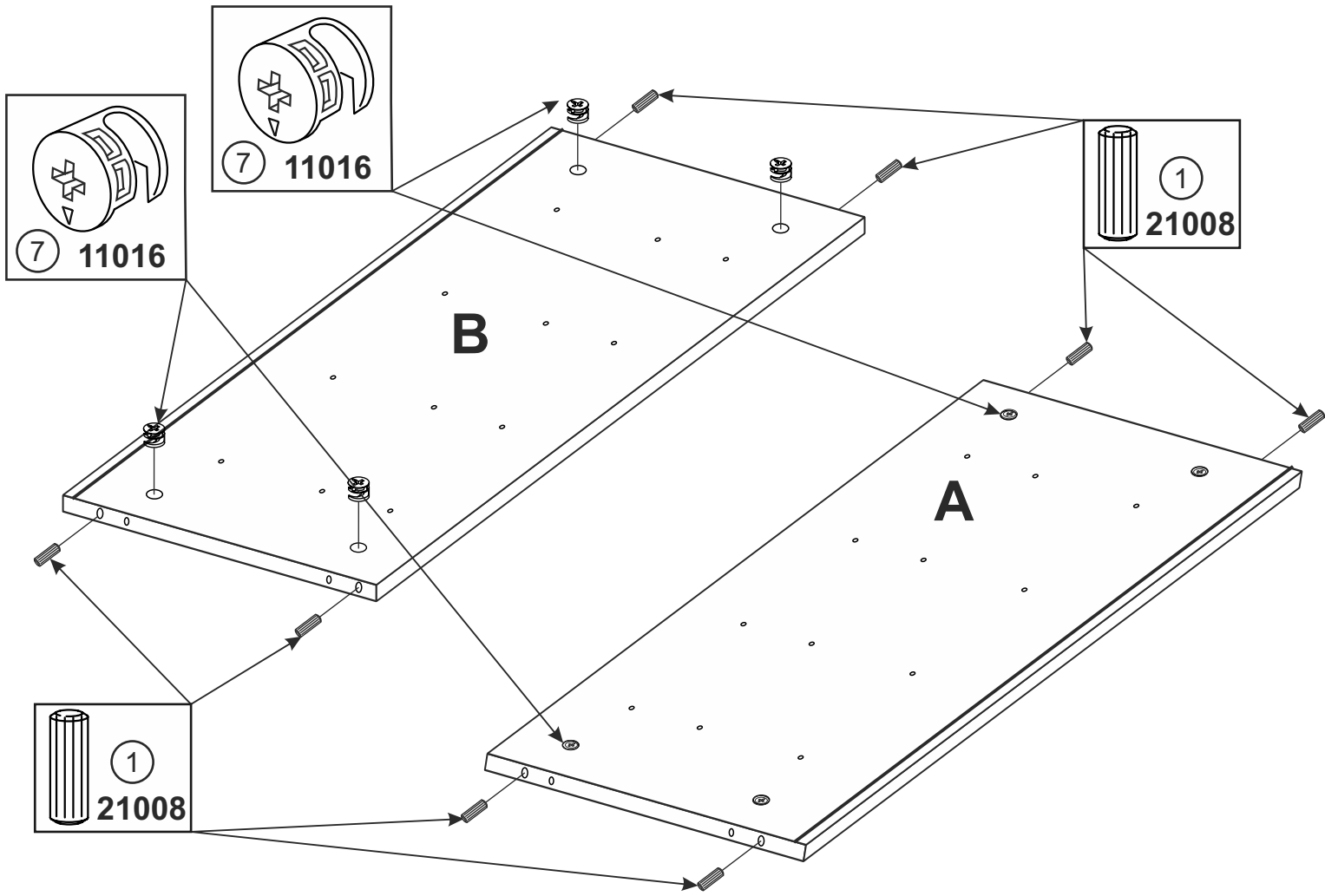
4

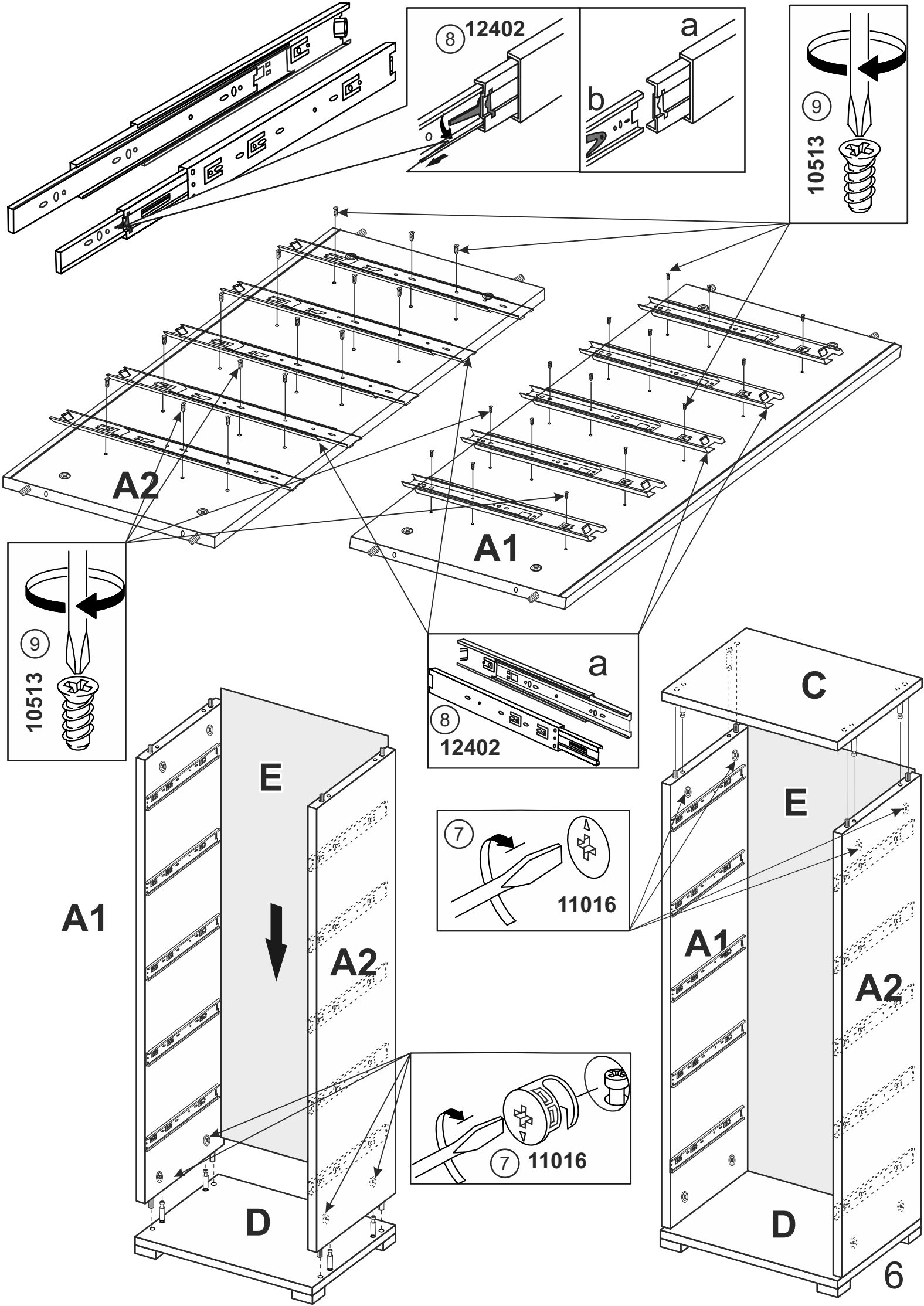


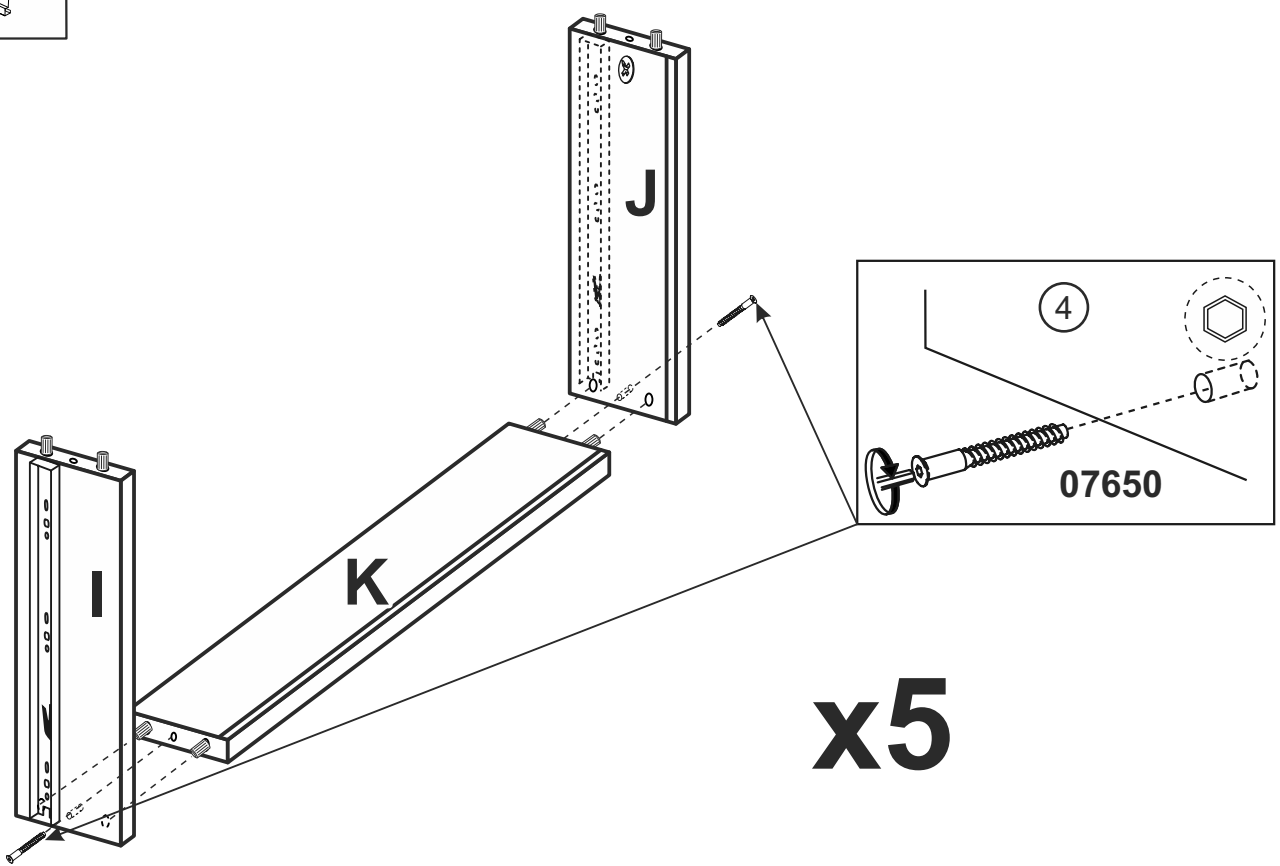
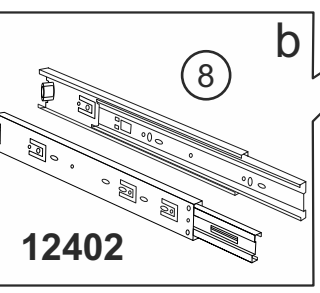
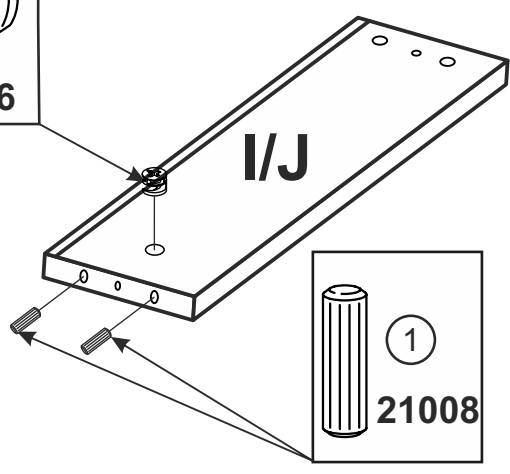
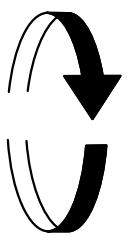
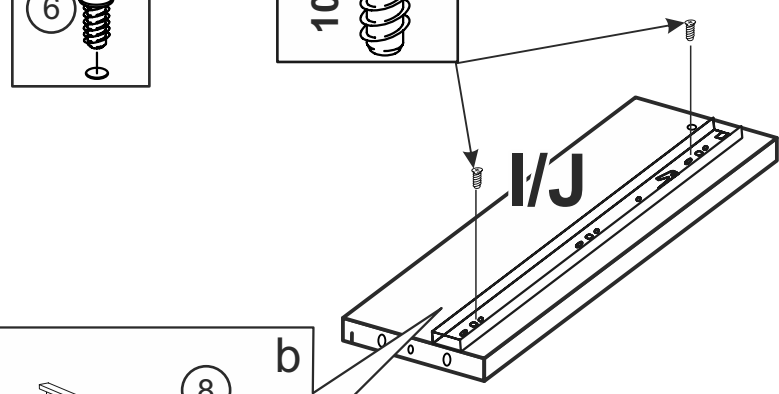
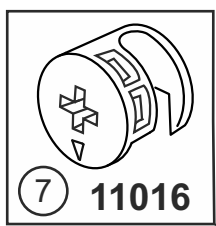
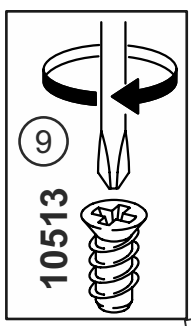
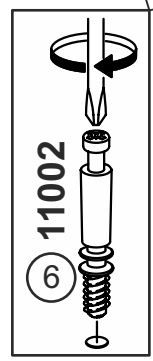
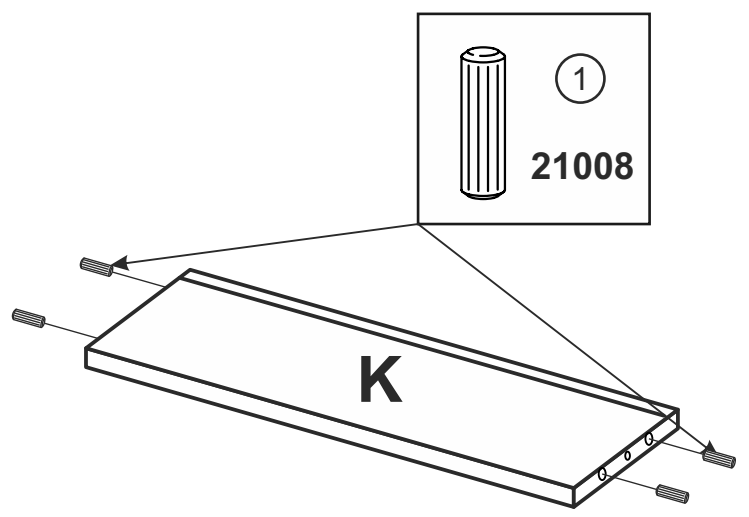
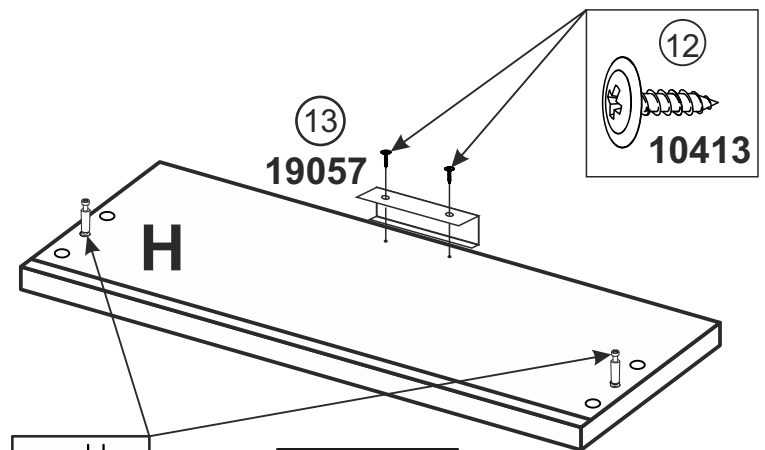


<b>A1</b>	-	1020	x	440	x	16	-	x	<b>1</b>
<b>A2</b>	-	1020	x	440	x	16	-	x	<b>1</b>
<b>C</b>	-	496	x	462	x	22	-	x	<b>1</b>
<b>D</b>	-	496	x	460	x	16	-	x	<b>1</b>
<b>E</b>	-	474	x	1032	x	3	-	x	<b>1</b>
<b>H</b>	-	491	x	200	x	16	-	x	<b>5</b>
<b>I</b>	-	400	x	130	x	16	-	x	<b>5</b>
<b>J</b>	-	400	x	130	x	16	-	x	<b>5</b>
<b>K</b>	-	403	x	130	x	16	-	x	<b>5</b>
<b>L</b>	-	416	x	396	x	3	-	x	<b>5</b>

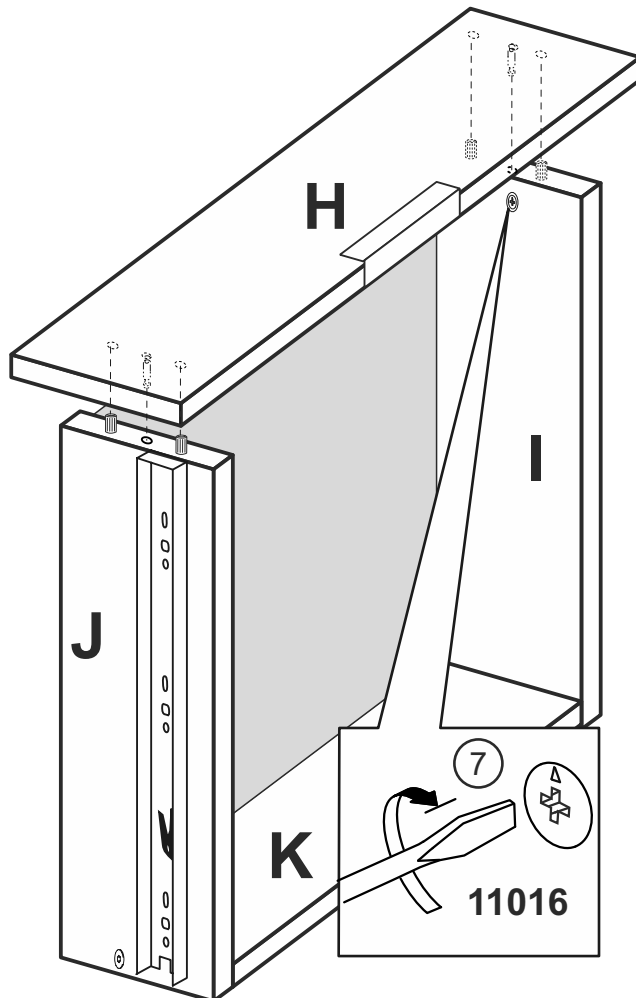
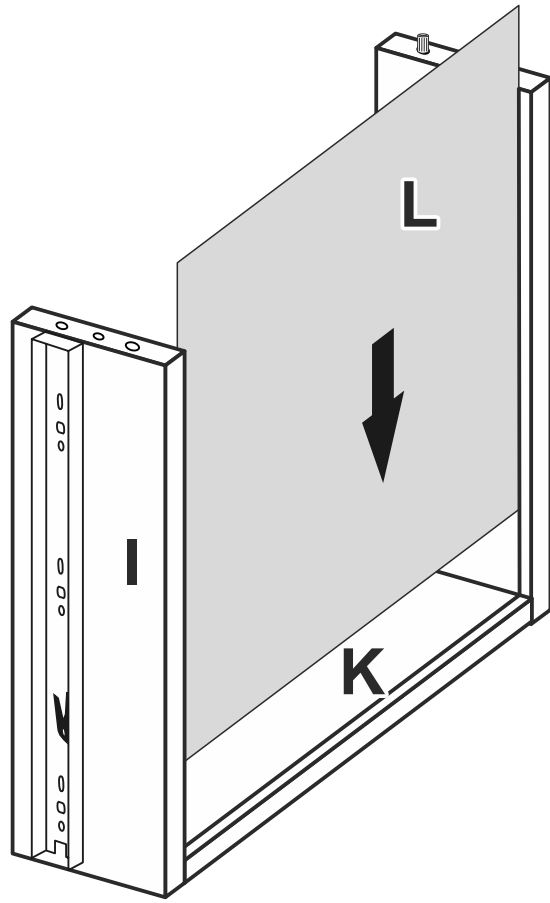








**x5**



**x5**



