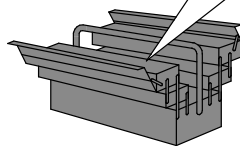
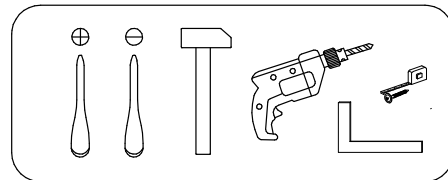
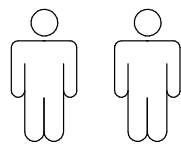
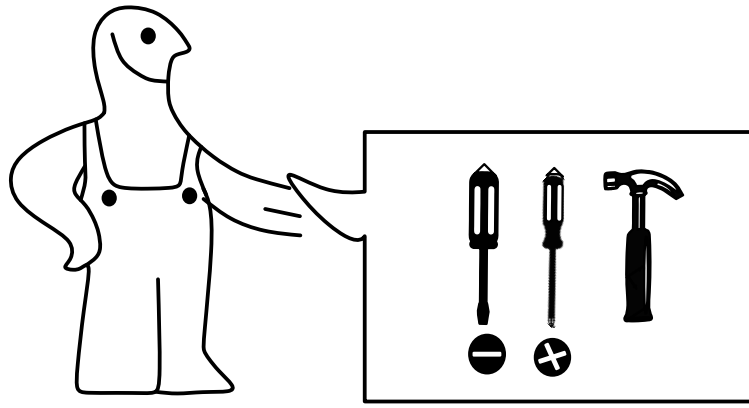


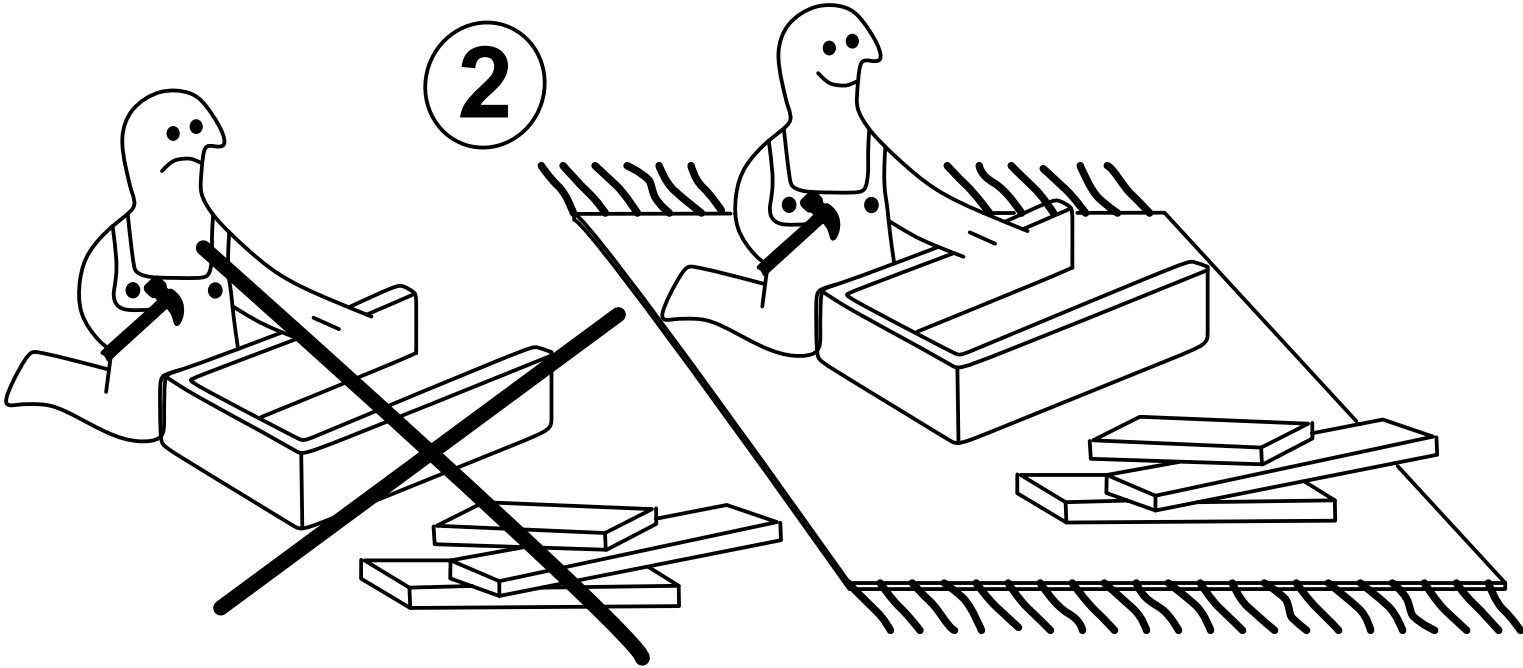
T6080  
13-IZ-36



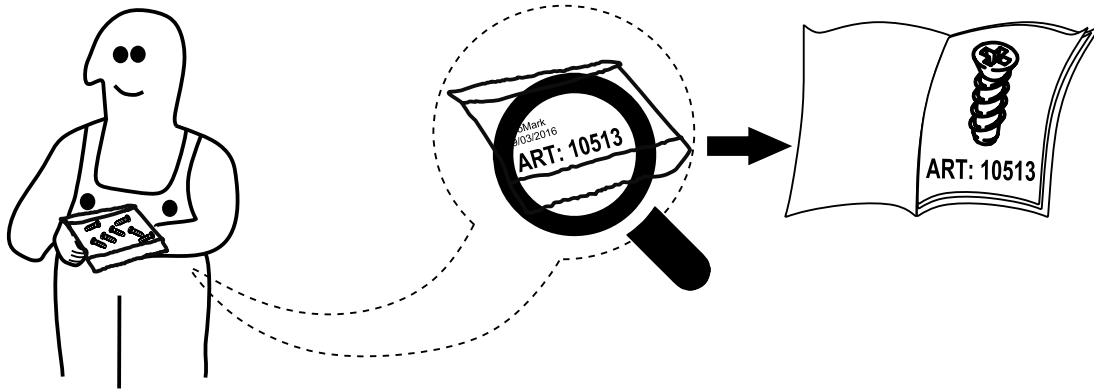
1



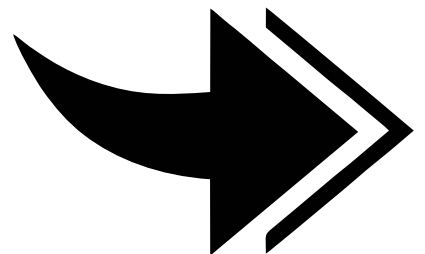
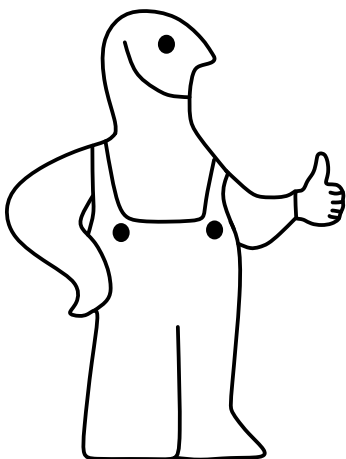
2

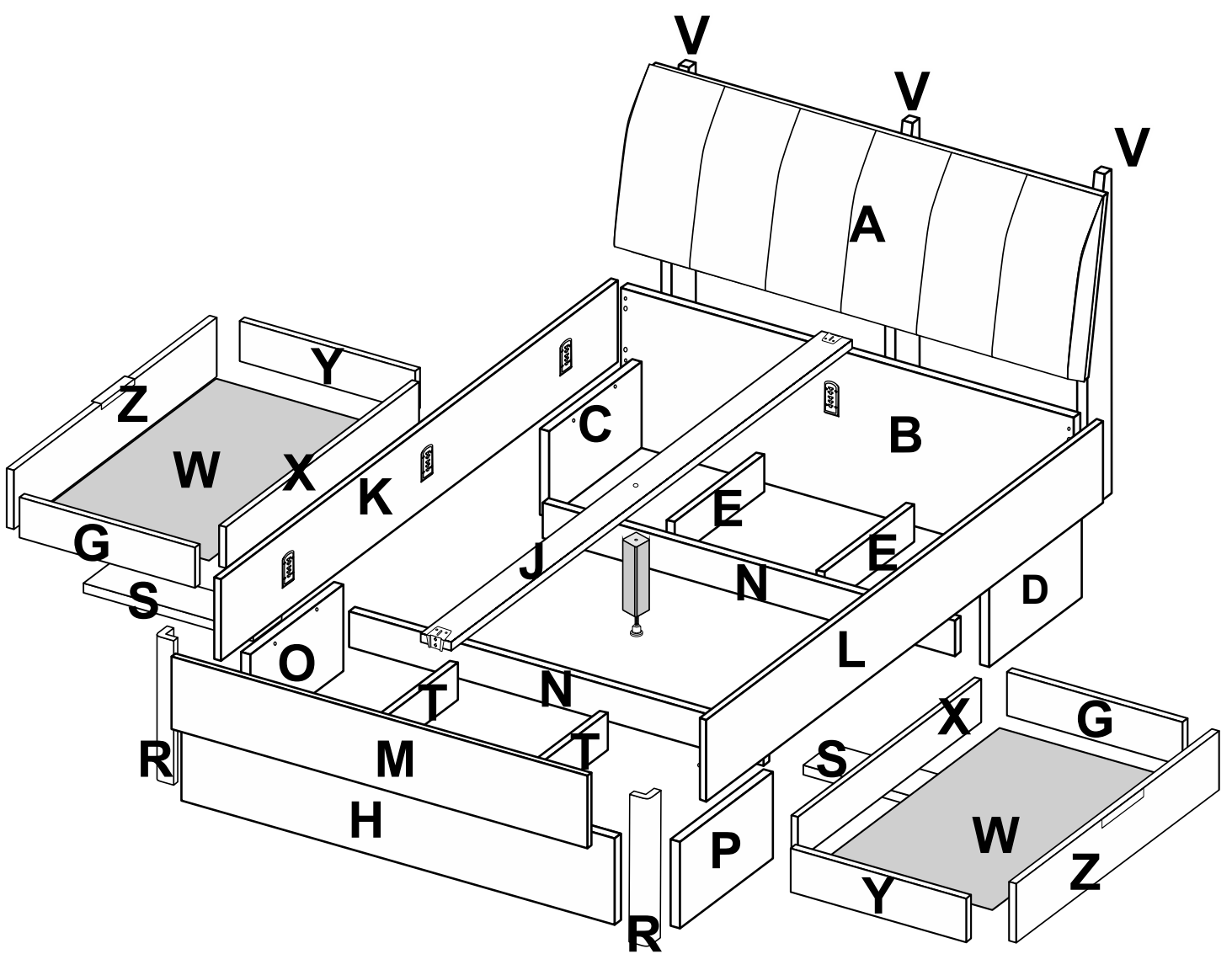


3

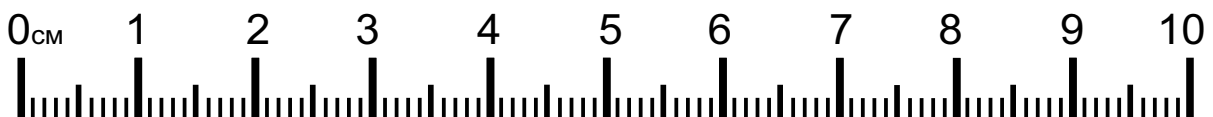
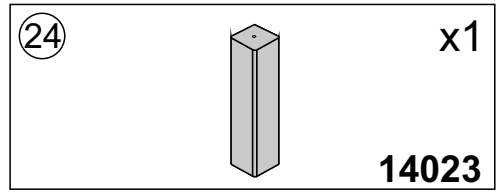
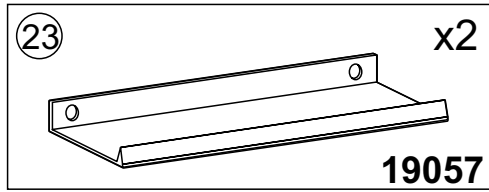
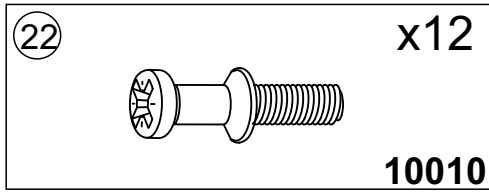
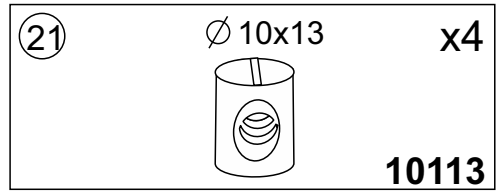
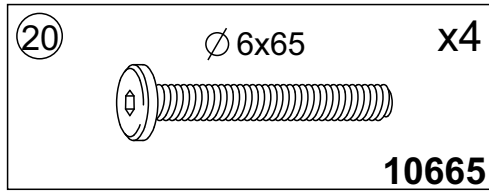
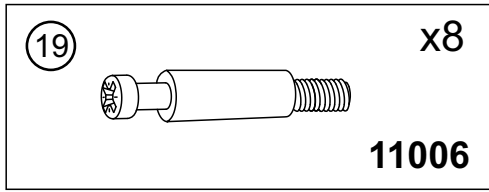
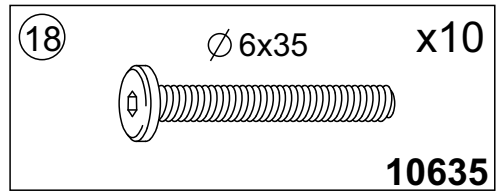
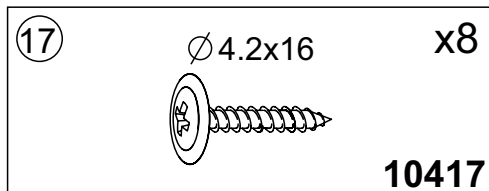
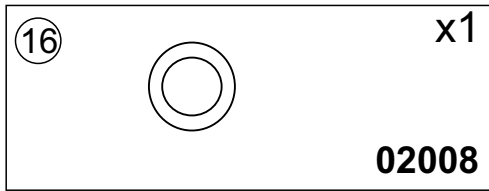
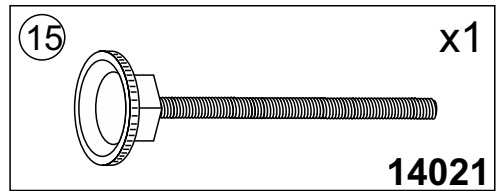
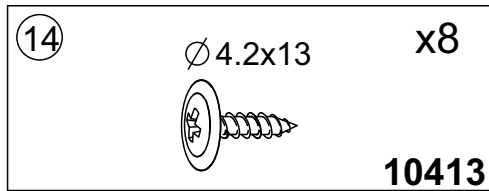
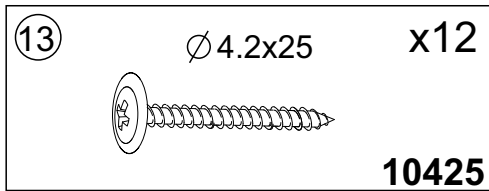
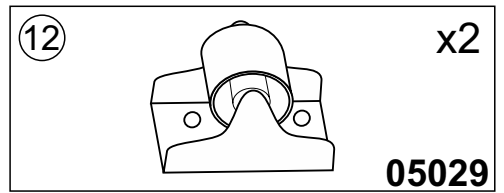
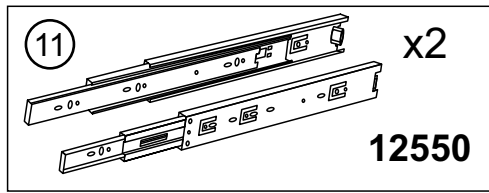
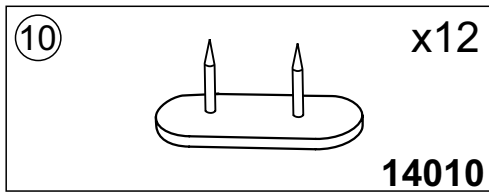
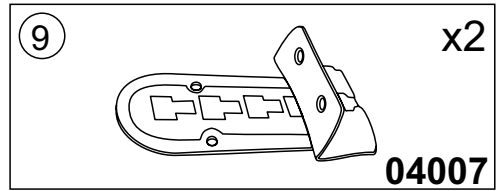
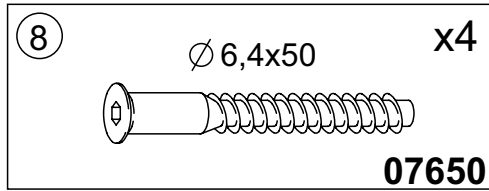
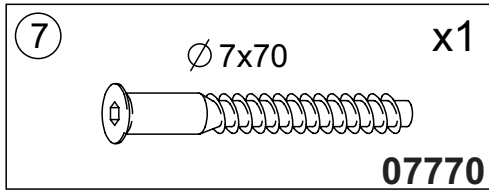
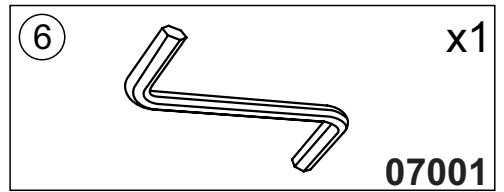
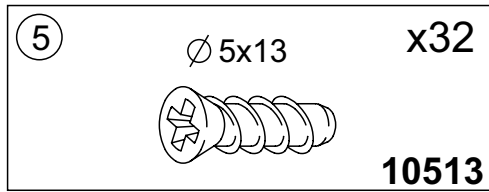
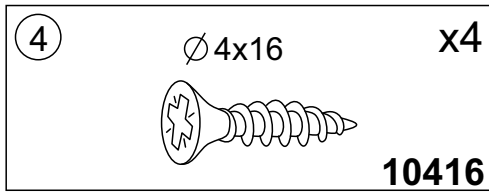
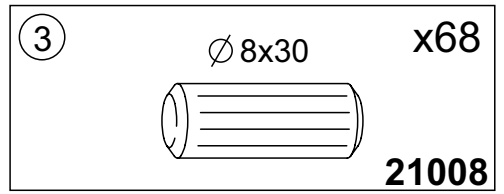
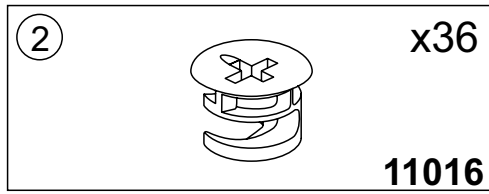
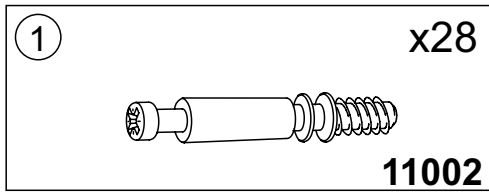


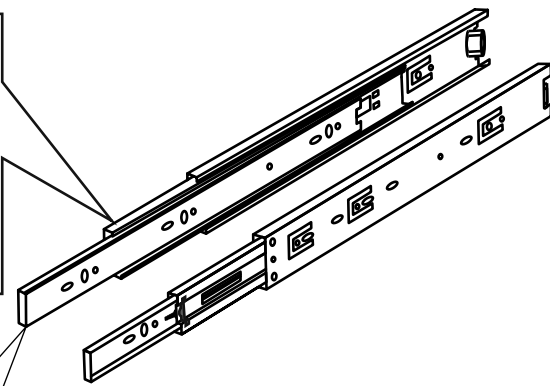
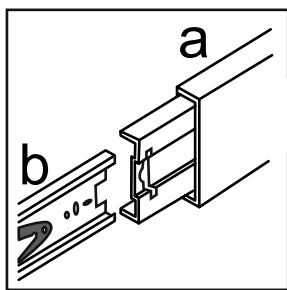
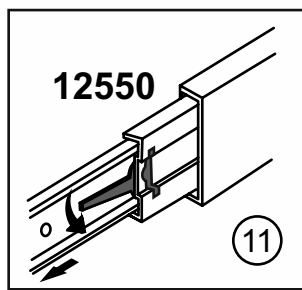
4



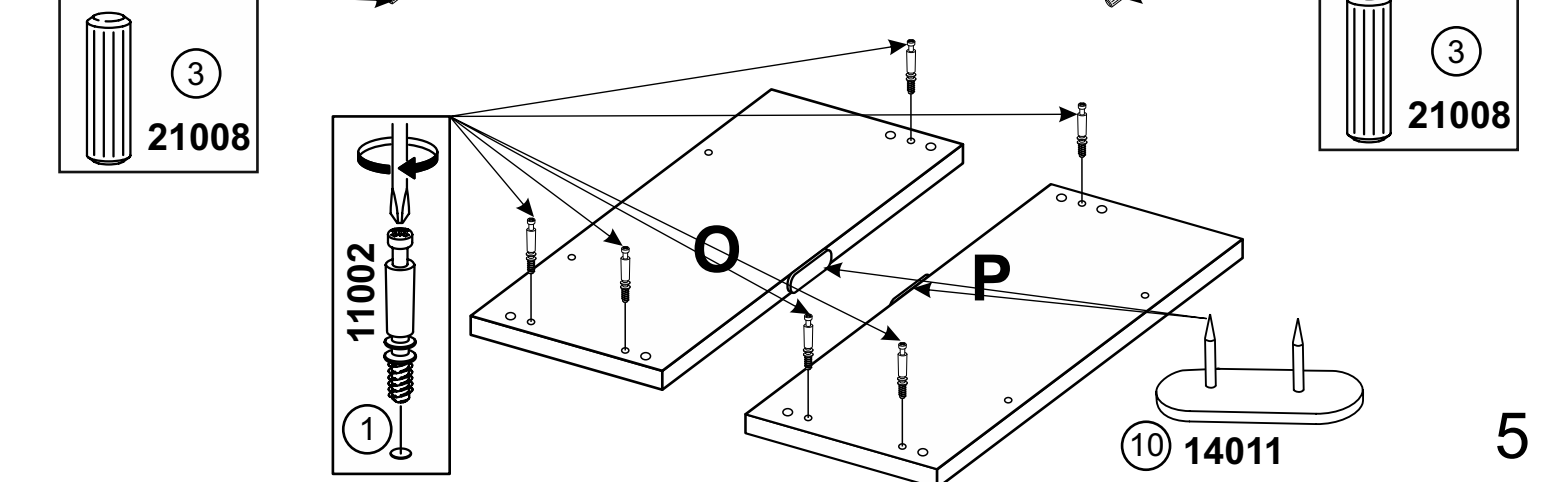
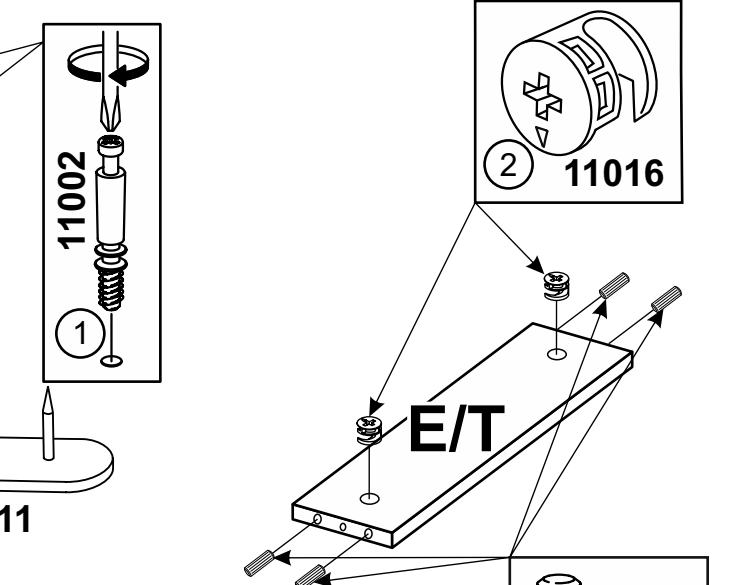
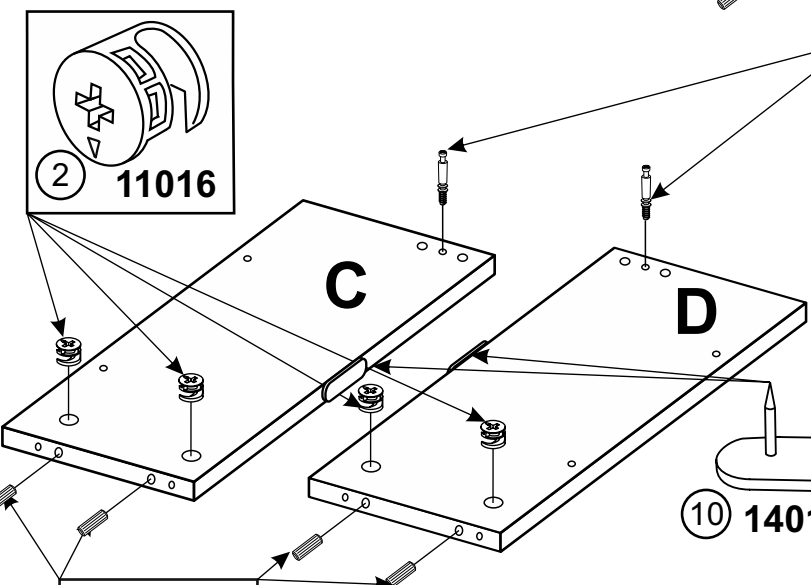
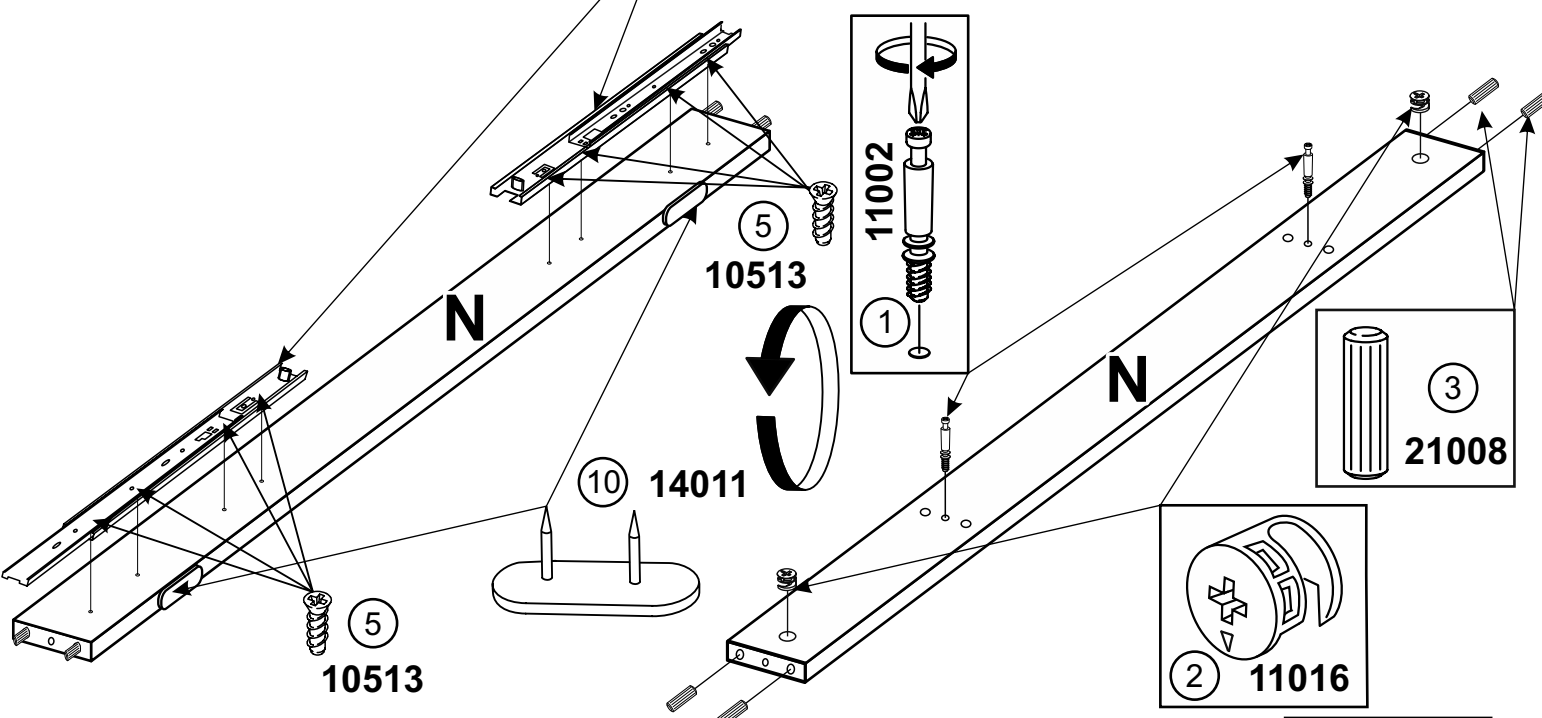


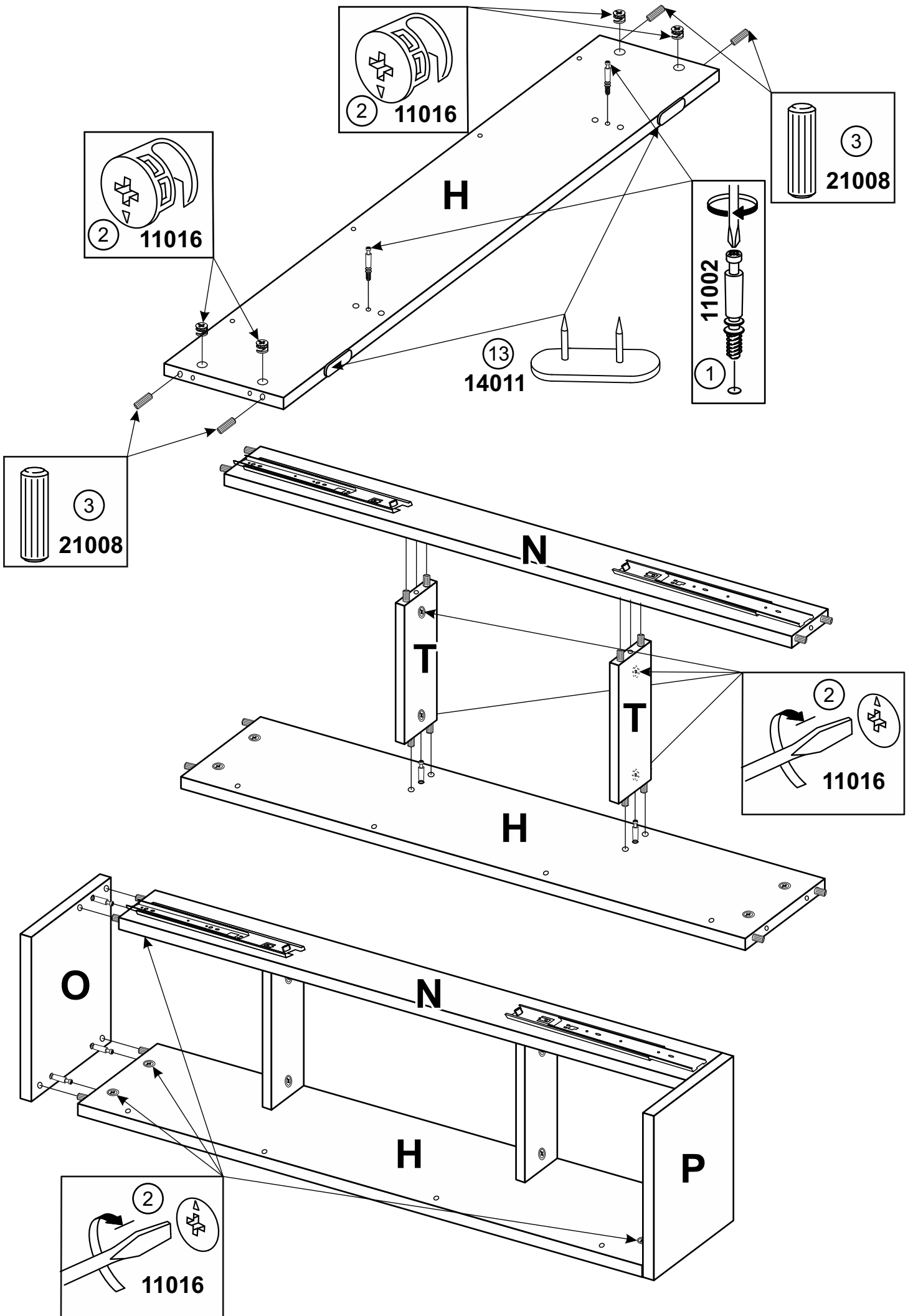
1	<b>A</b>	1842x530x80	1	1/3
2	<b>B</b>	1844x465x16	1	1/3
3	<b>W</b>	596x1074x3	2	1/3
4	<b>V</b>	825x100x18	3	1/3
5	<b>Z</b>	1113x225x16	2	2/3
6	<b>M</b>	1746x230x18	1	2/3
7	<b>K</b>	1990x230x18	1	2/3
8	<b>L</b>	1990x230x18	1	2/3
9	<b>T</b>	218x128x16	2	2/3
10	<b>E</b>	634x128x16	2	2/3
11	<b>J</b>	2007x70x25	1	2/3
12	<b>S</b>	584x80x16	1	2/3
13	<b>C</b>	650x255x16	1	3/3
14	<b>D</b>	650x255x16	1	3/3
15	<b>P</b>	250x255x16	1	3/3
16	<b>O</b>	250x255x16	1	3/3
17	<b>Y</b>	600x136x16	2	3/3
18	<b>G</b>	600x136x16	2	3/3
19	<b>X</b>	1063x136x16	2	3/3
20	<b>N</b>	1778x128x16	2	3/3
21	<b>H</b>	1778x255x16	1	3/3
22	<b>R</b>	471x50x50	2	3/3

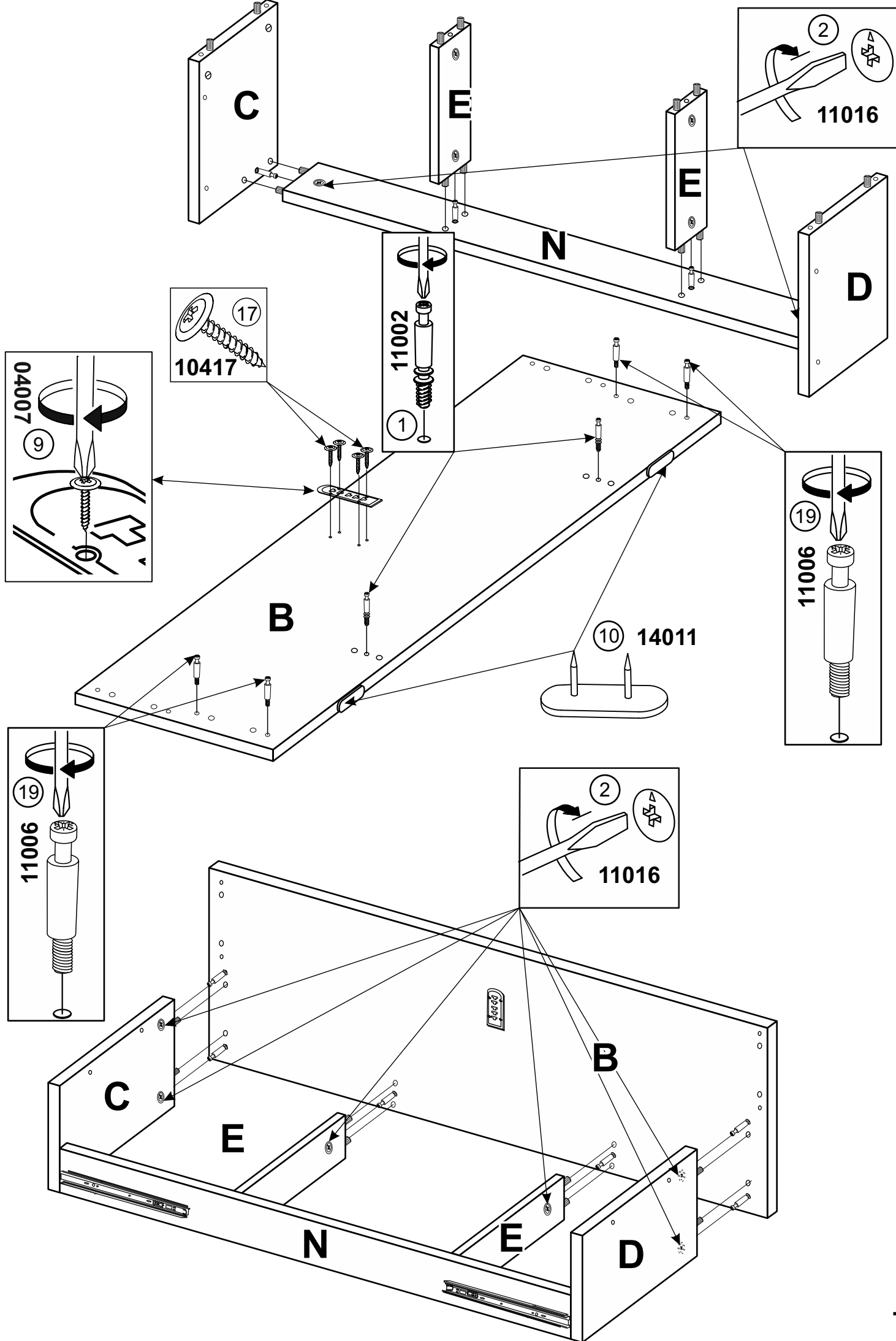


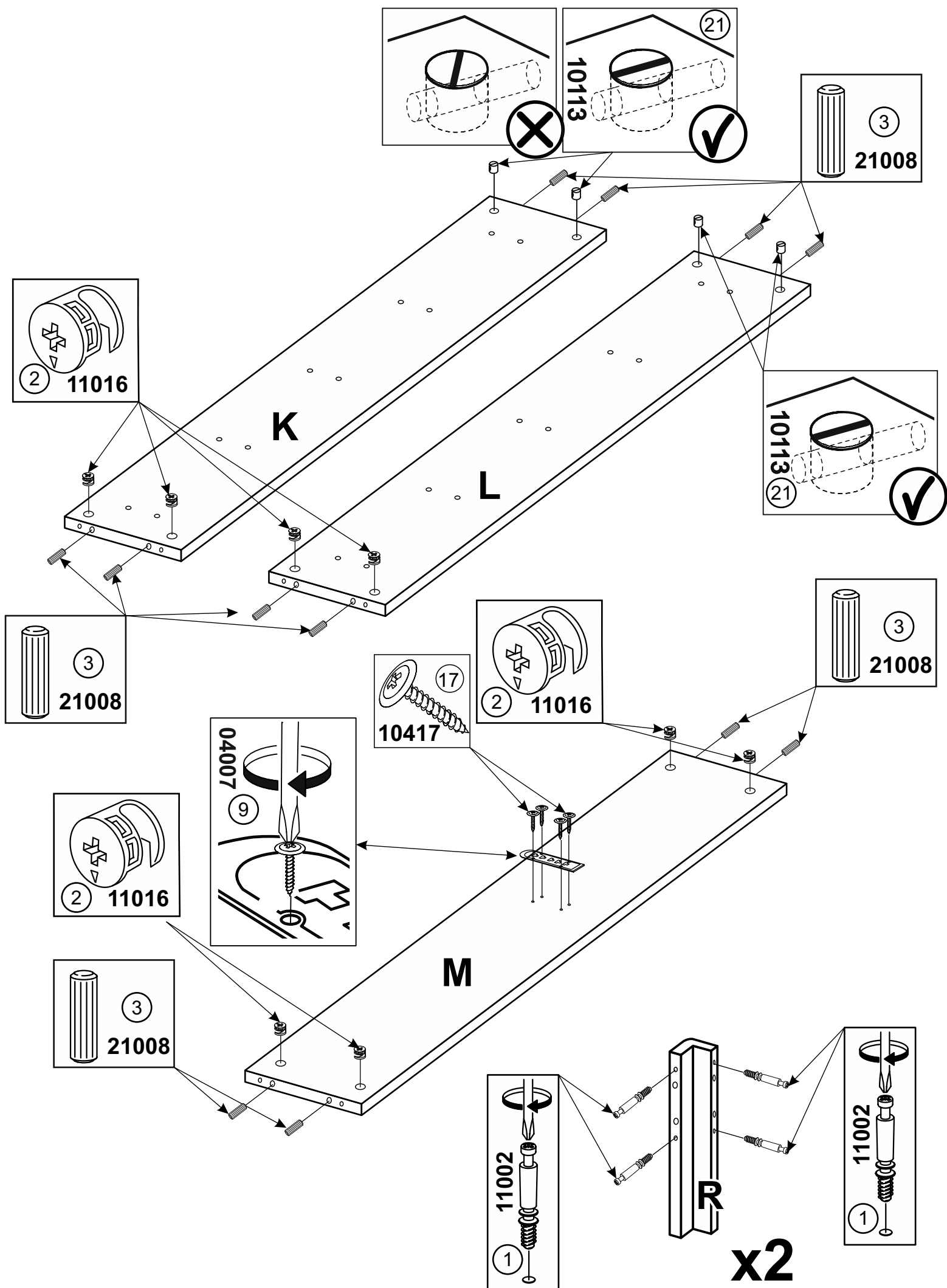


x2

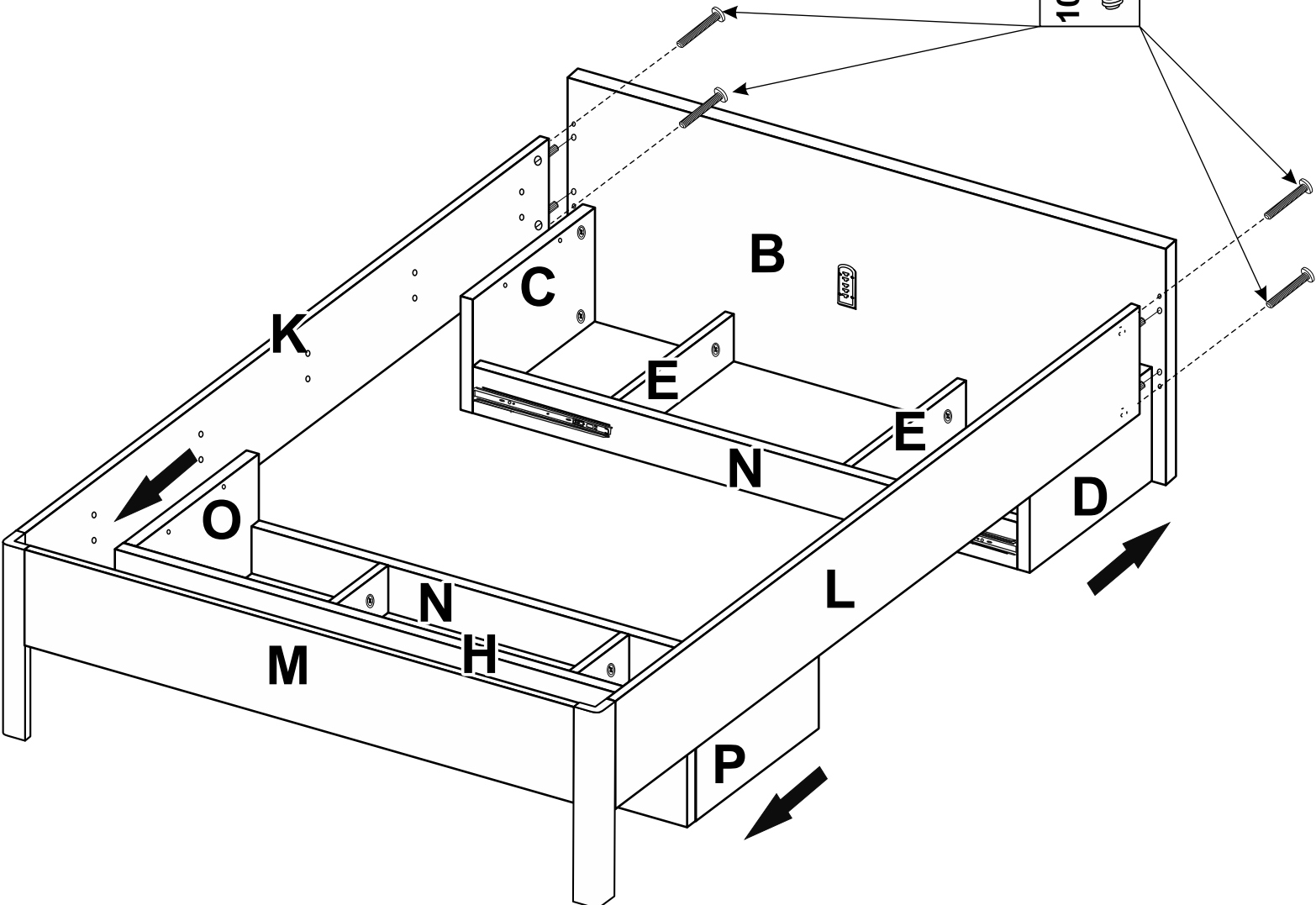
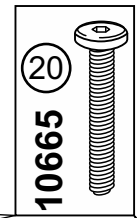
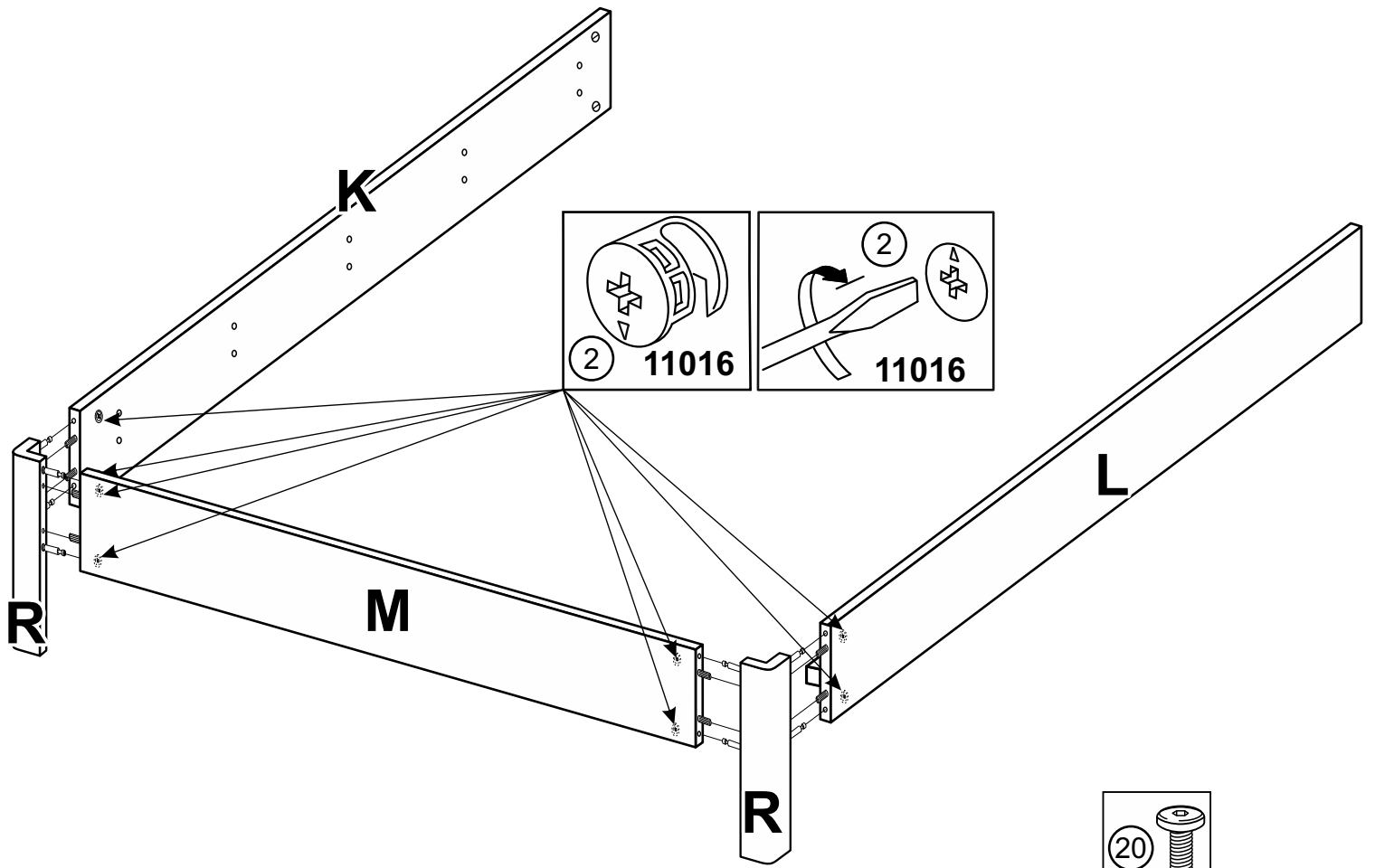


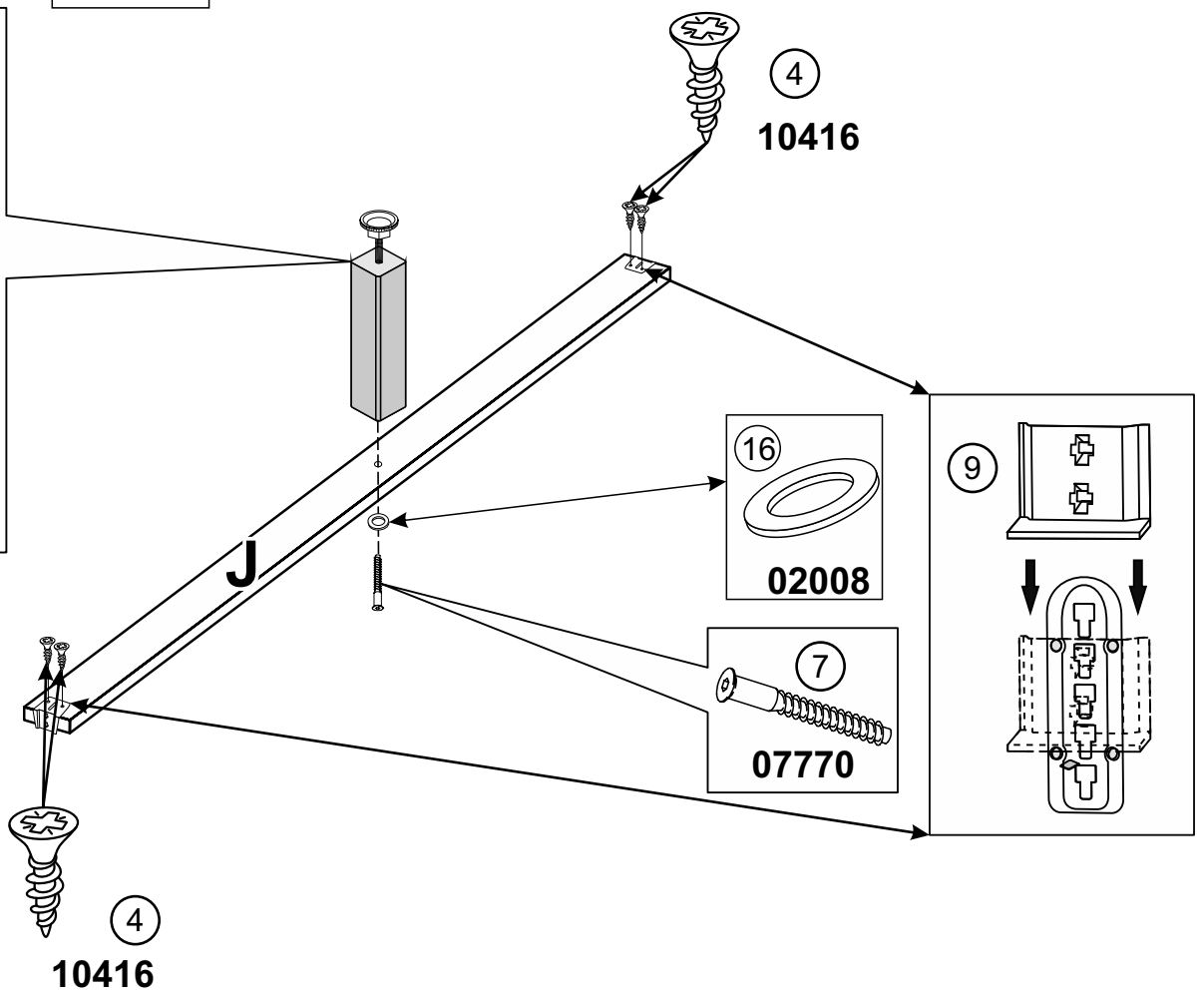
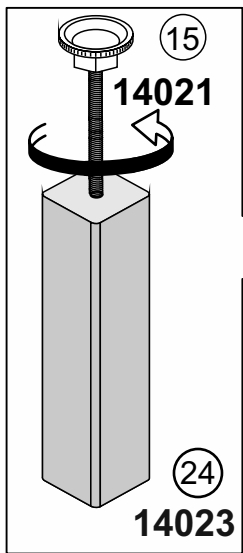
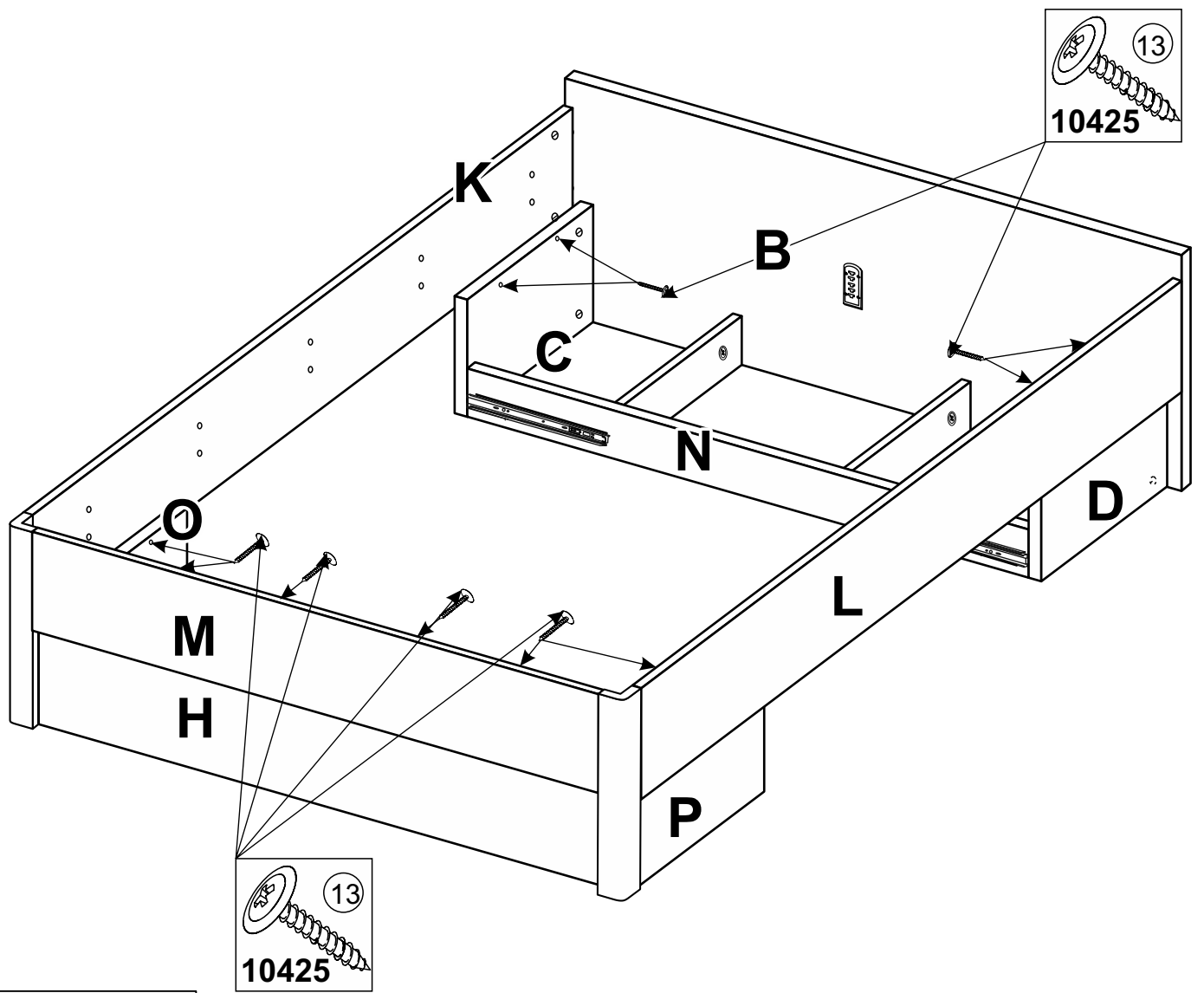


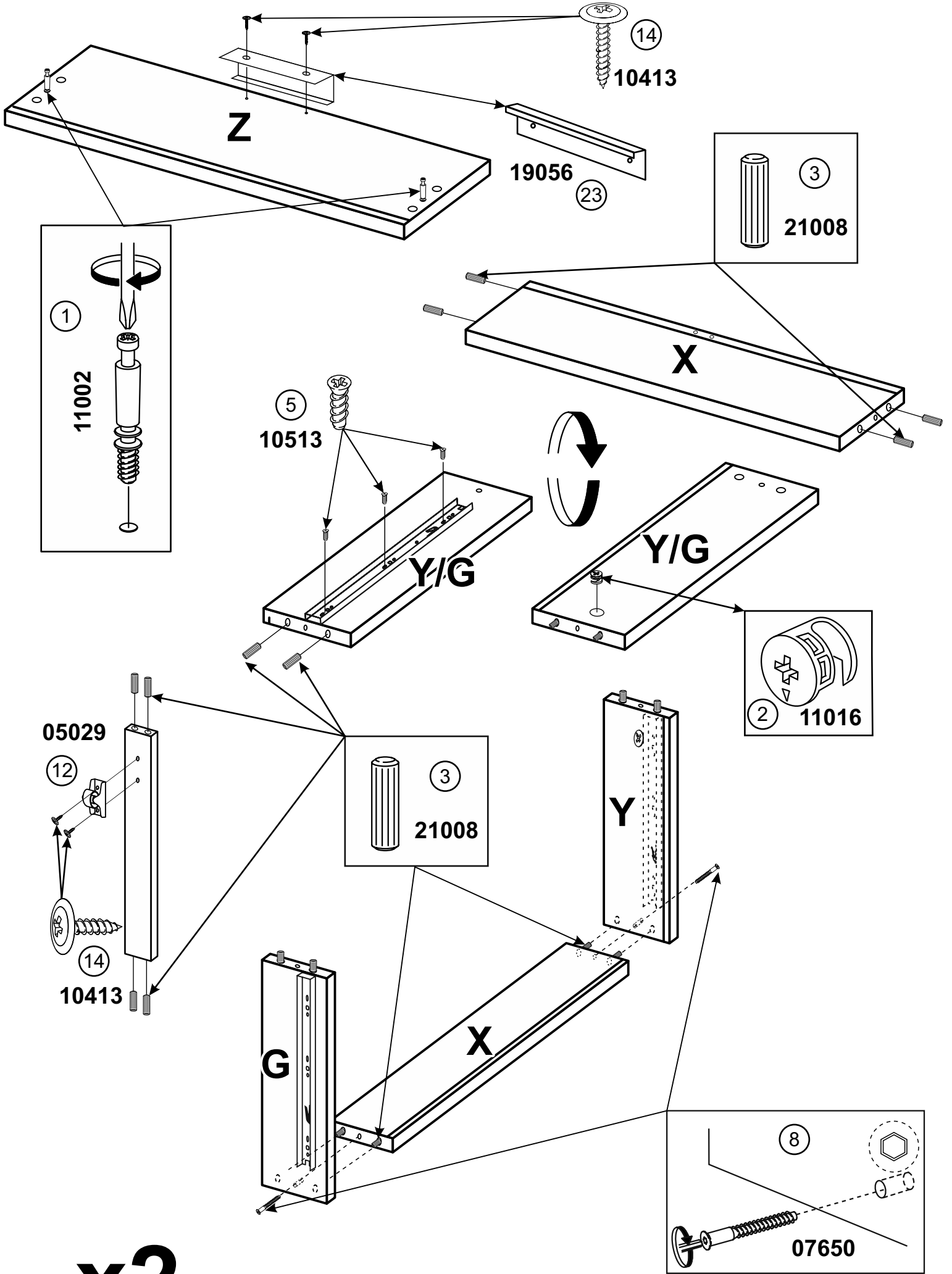




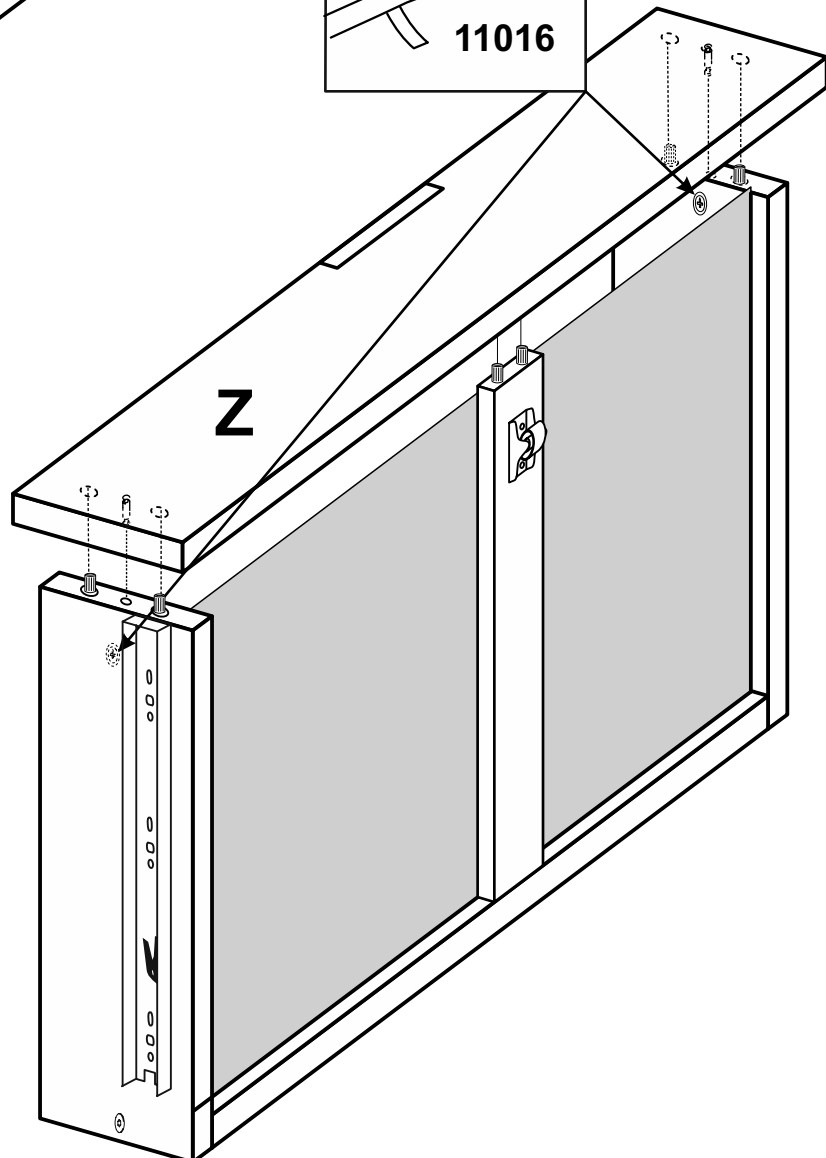
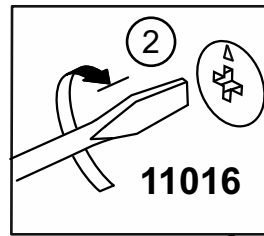
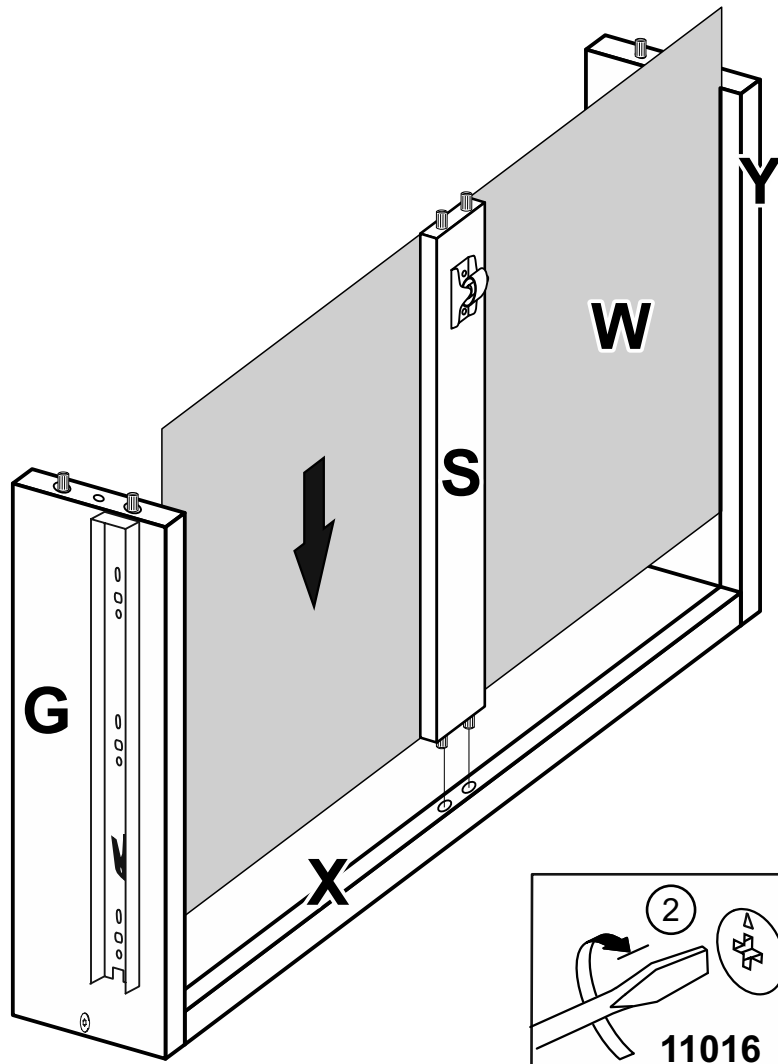








**x2**



**x2**

