


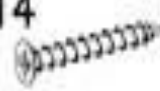






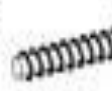











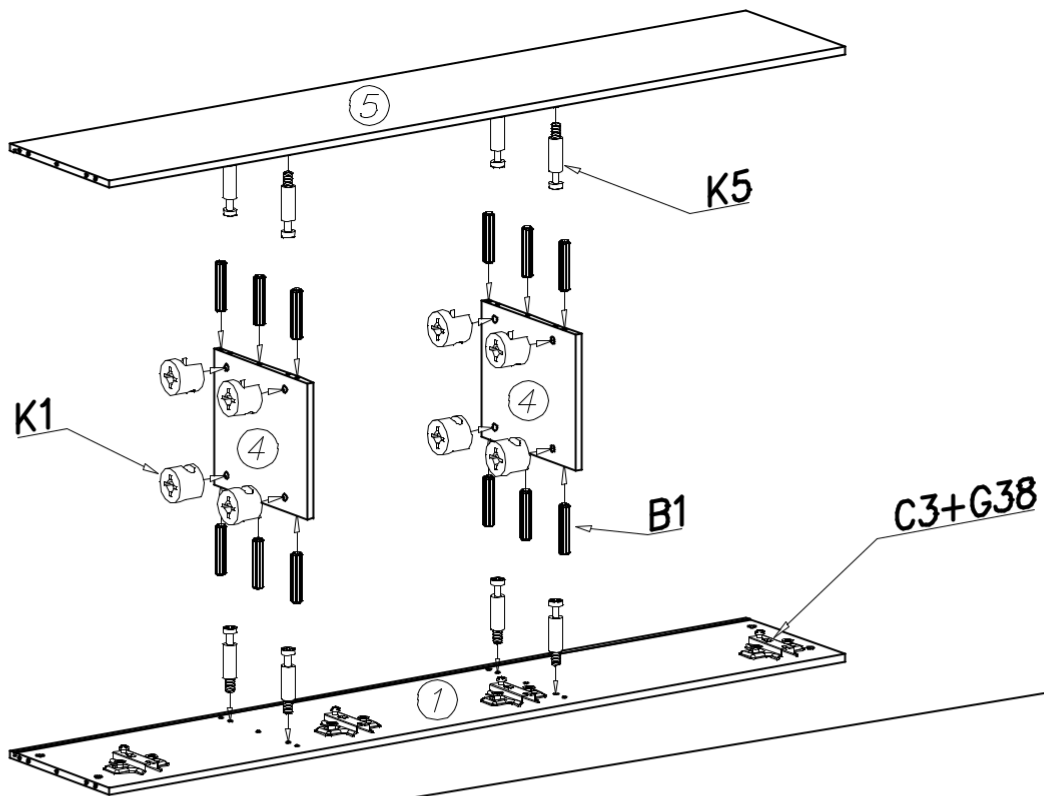
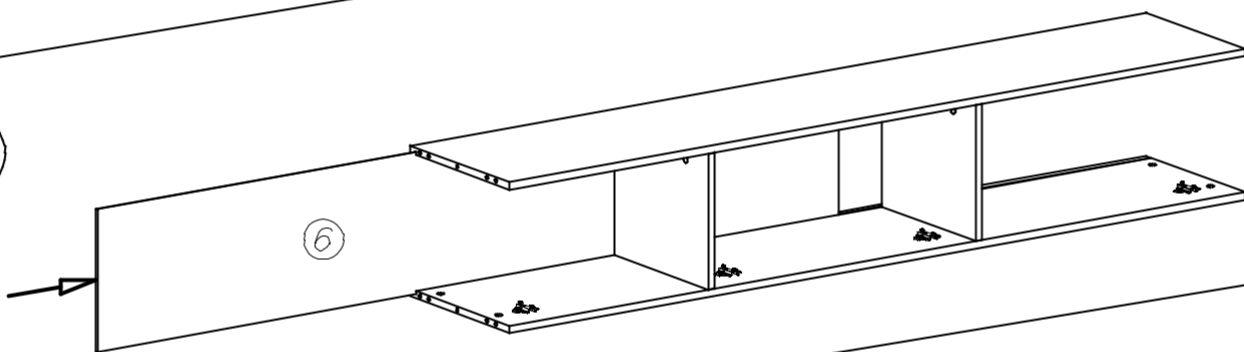


	I12a  x48	I12b  x4	U13  x1	G14  3,5x45 x2
P4  x6	I1  x7	G3  4x30 x2	U5  x1	D3  PZ35PR x9
G38  6x13 x18	A1  ø7x50 x6	L7  x2	L8  x3	W2  x1
C3  Z35PR x9	K2  ø15x16 x20			B1  x36
K5  x60	K1  ø15x12 x40	G4  4x16 x18	B3  ø7,8x50 x58	G21  3x16 x26

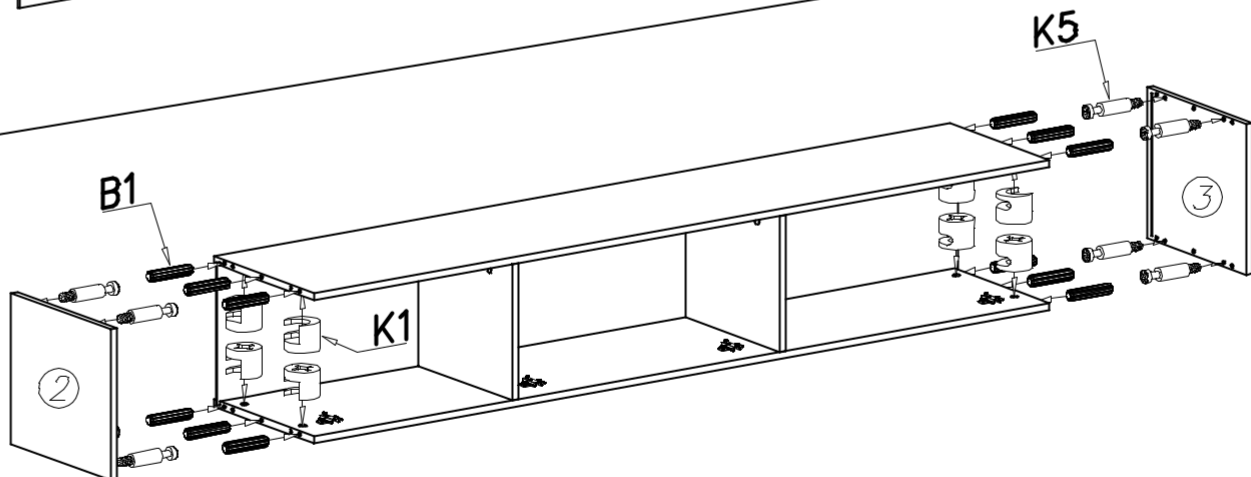
I



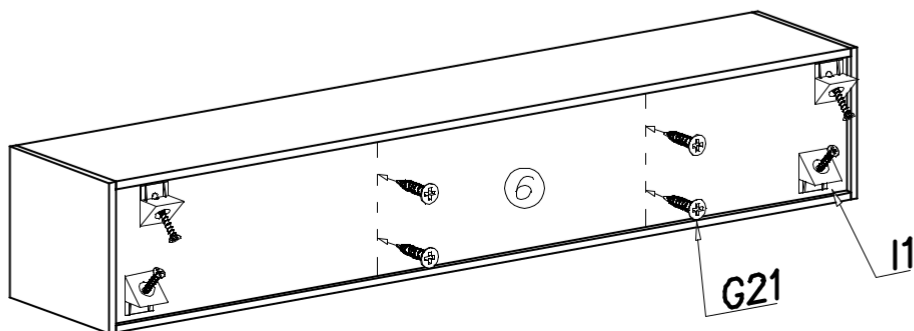
II



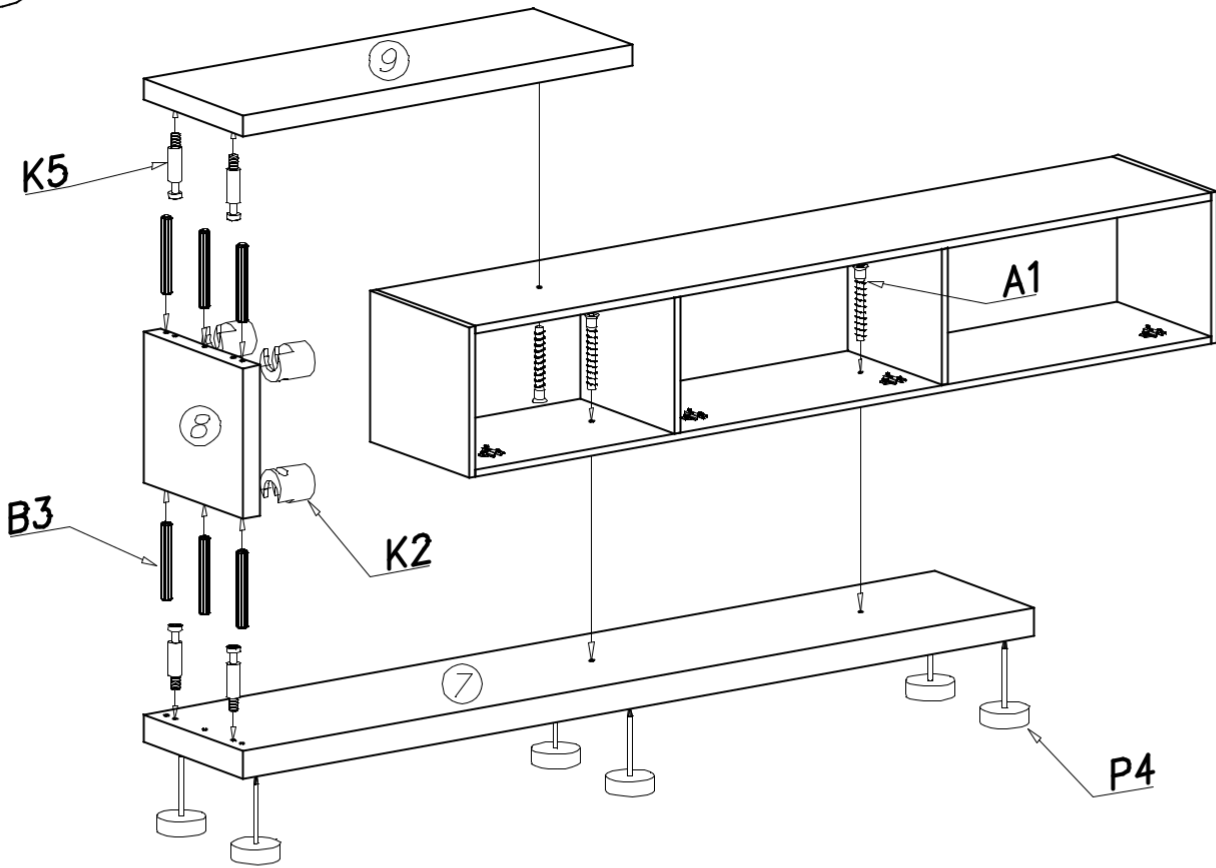
III



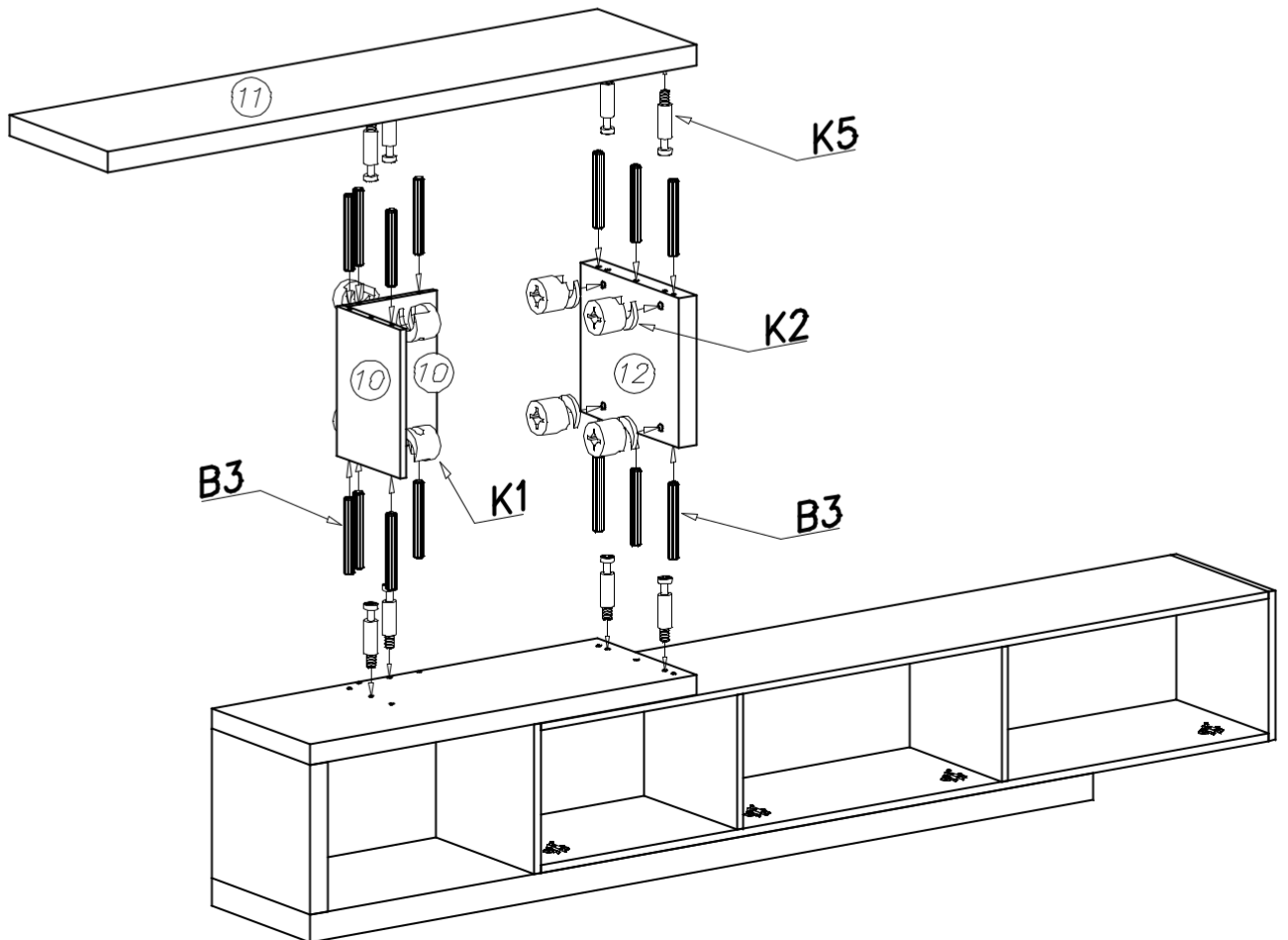
IV



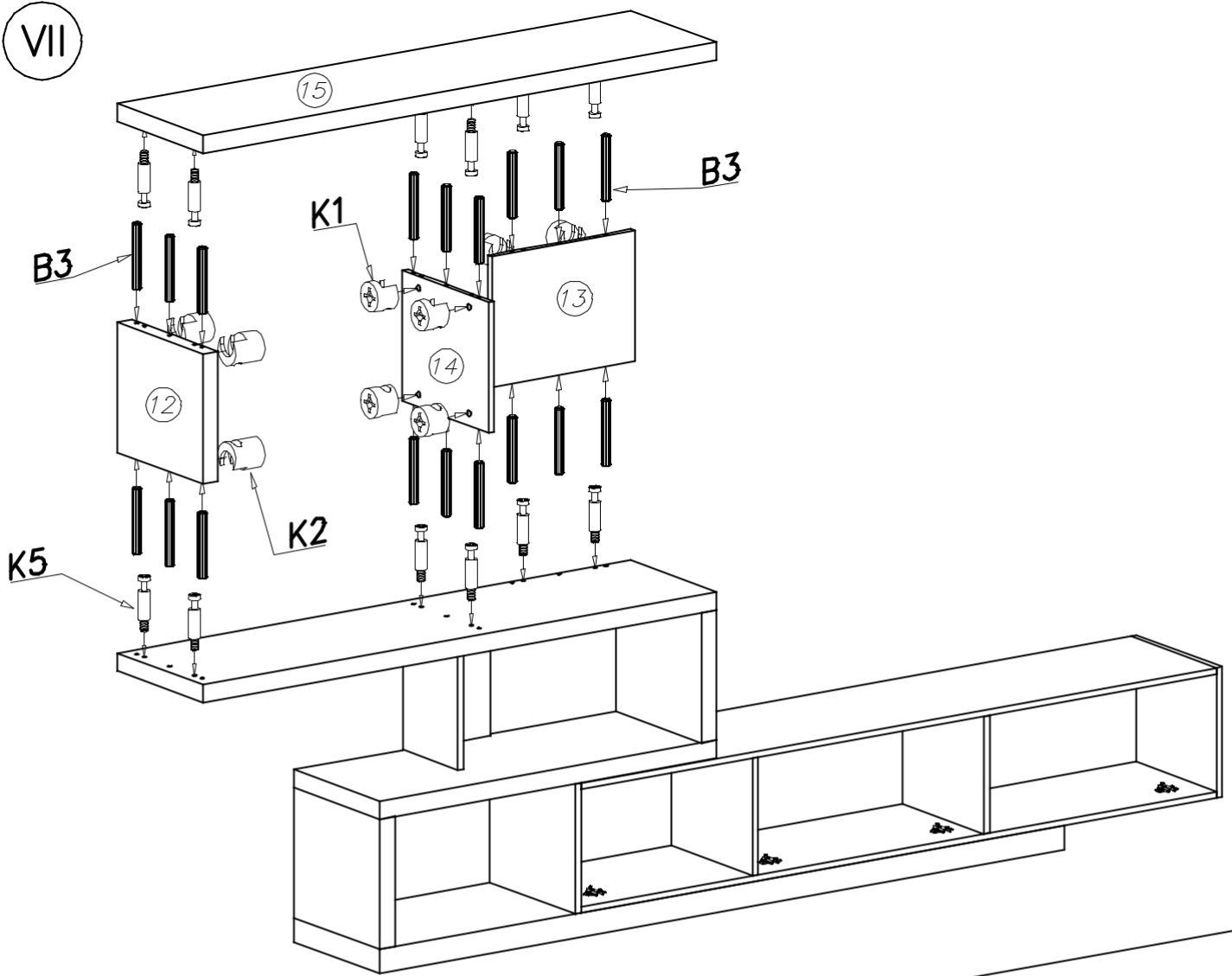
V



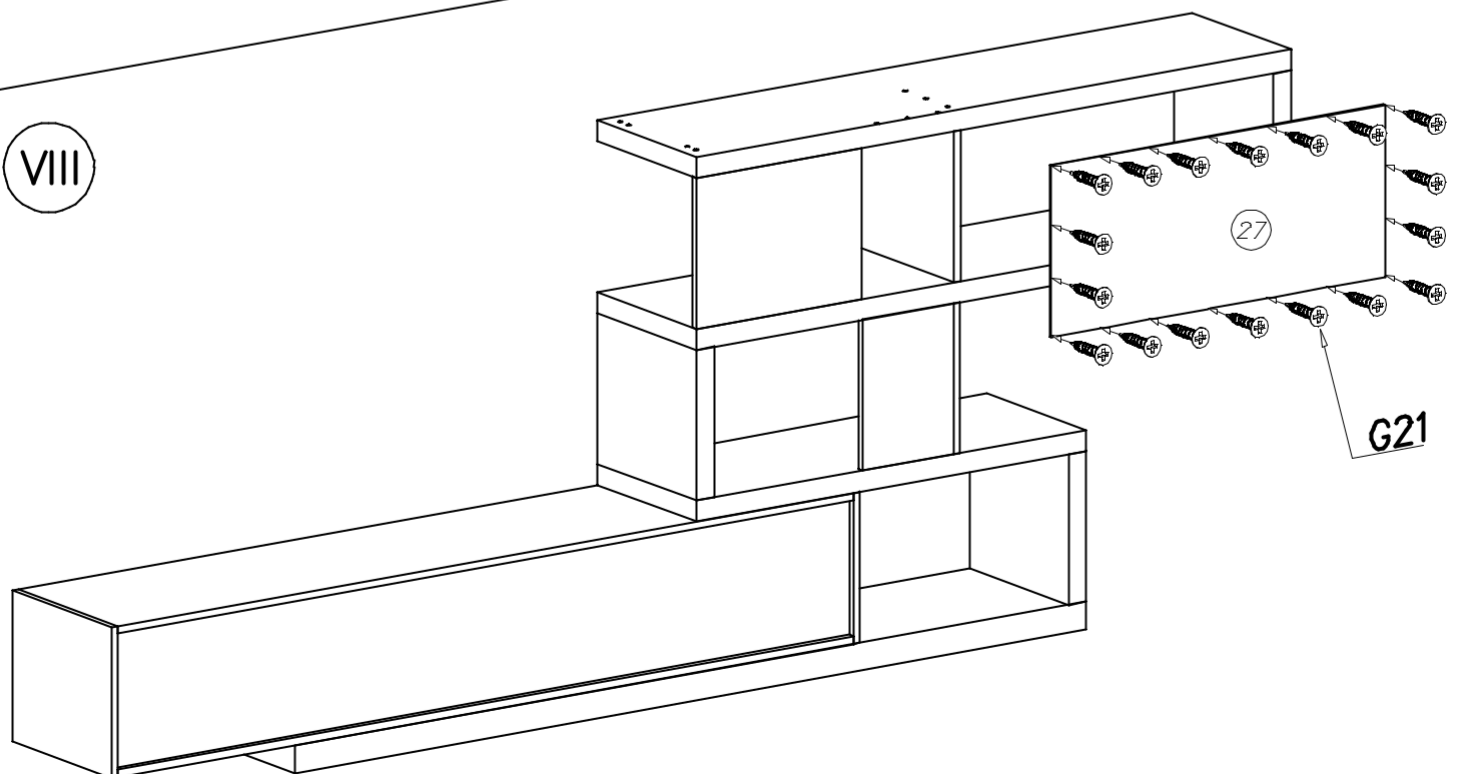
VI



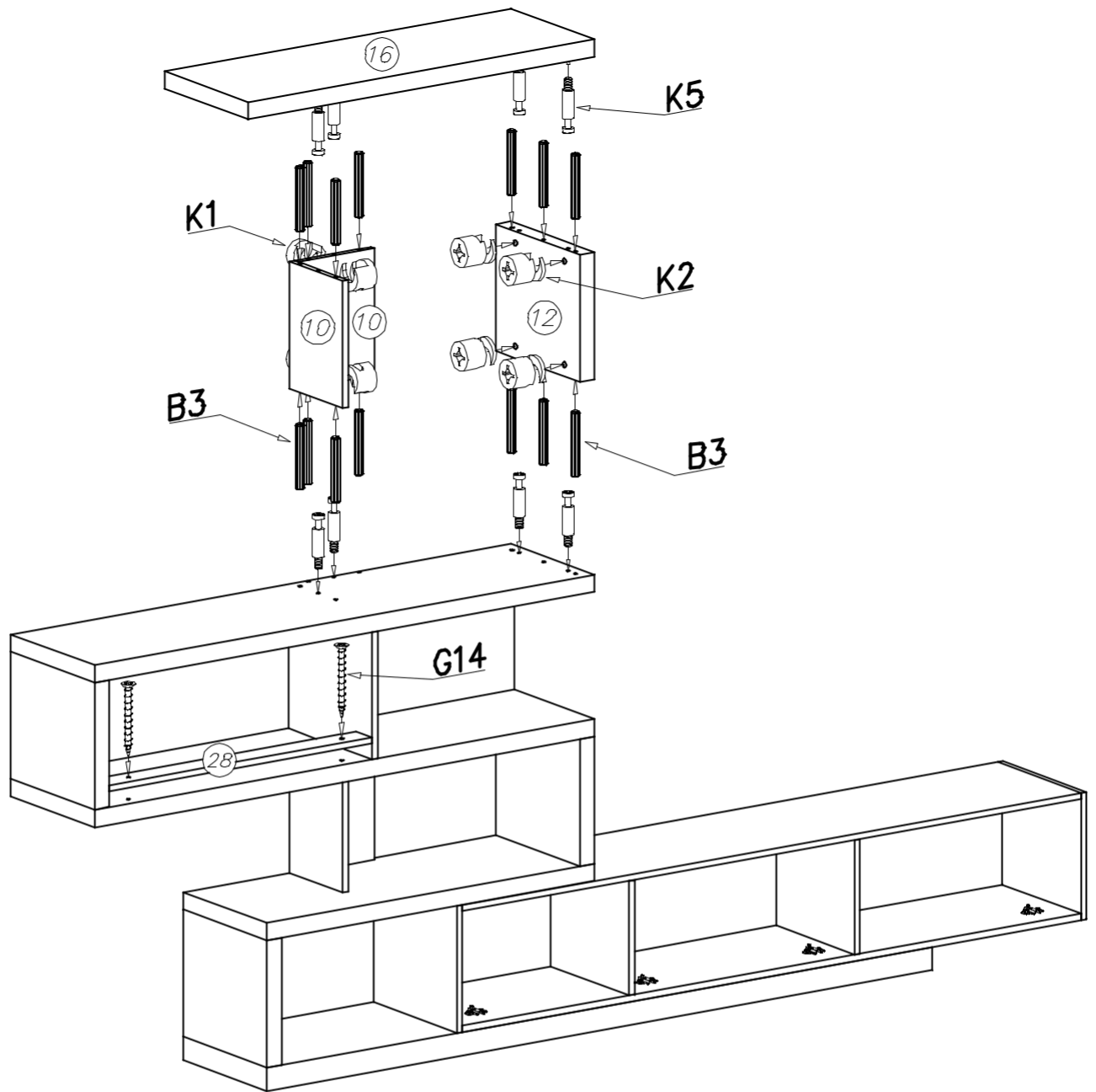
VII



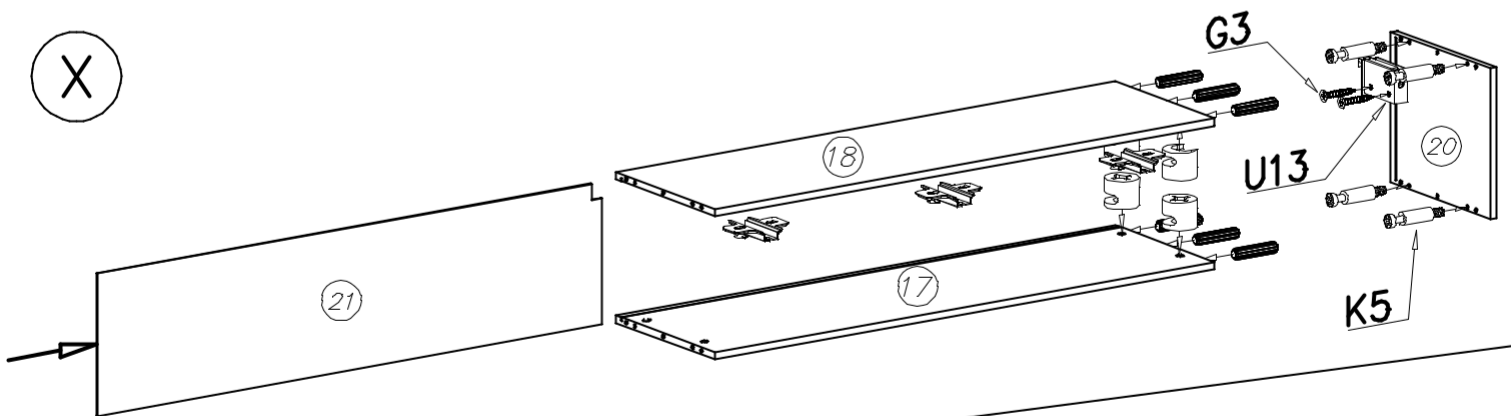
VIII



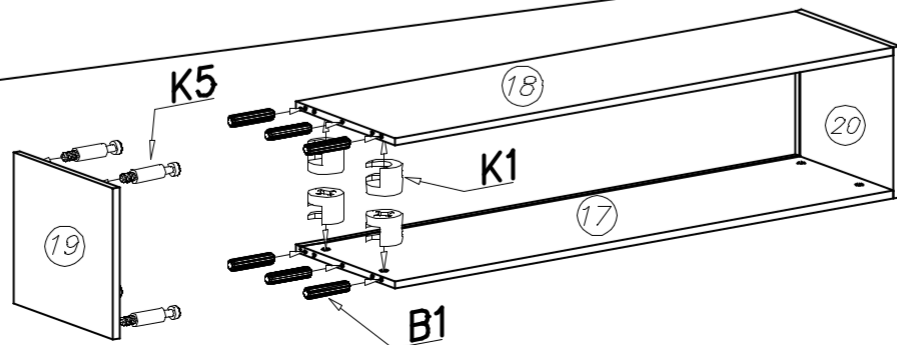
IX



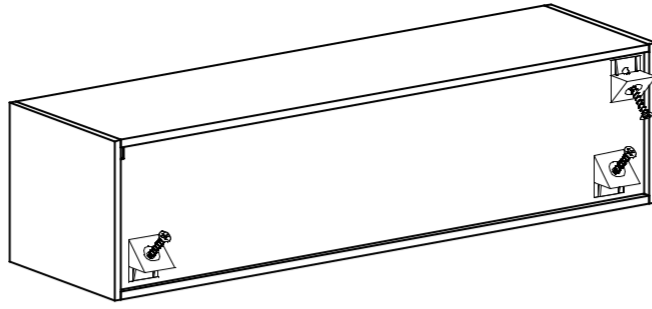
X



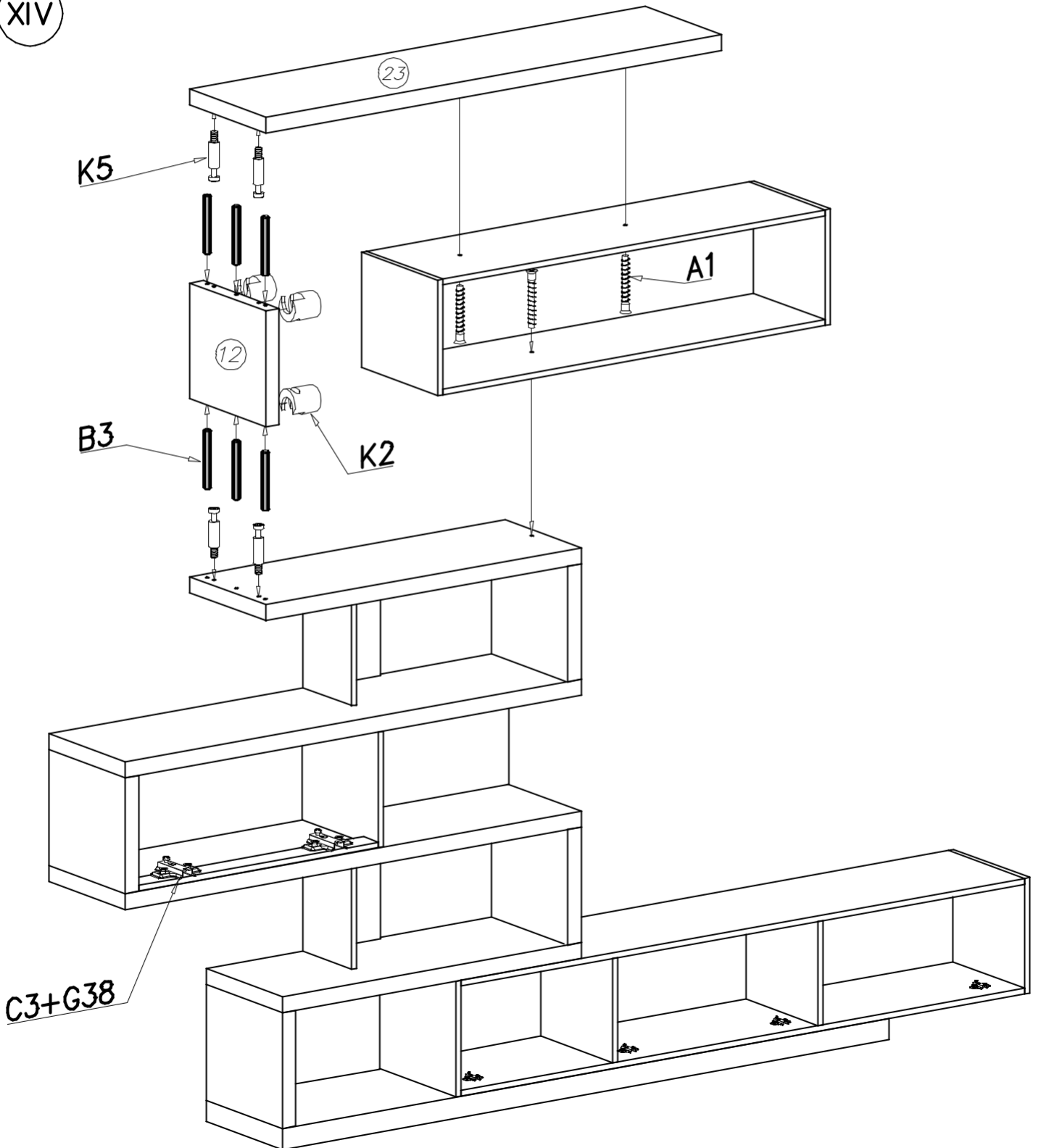
XI



XII



XIV



XV

U5

