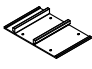

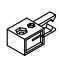








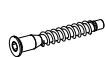
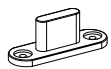
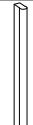







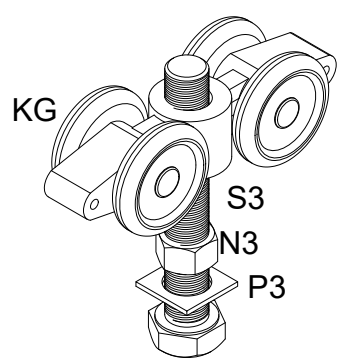
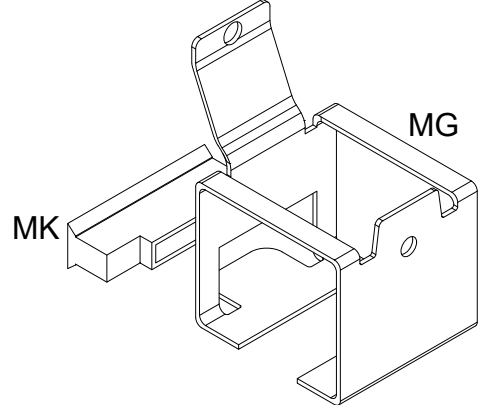
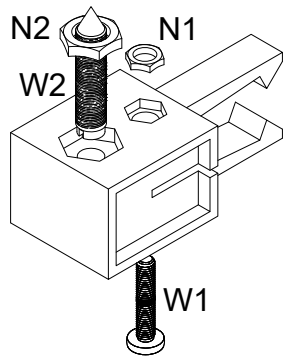
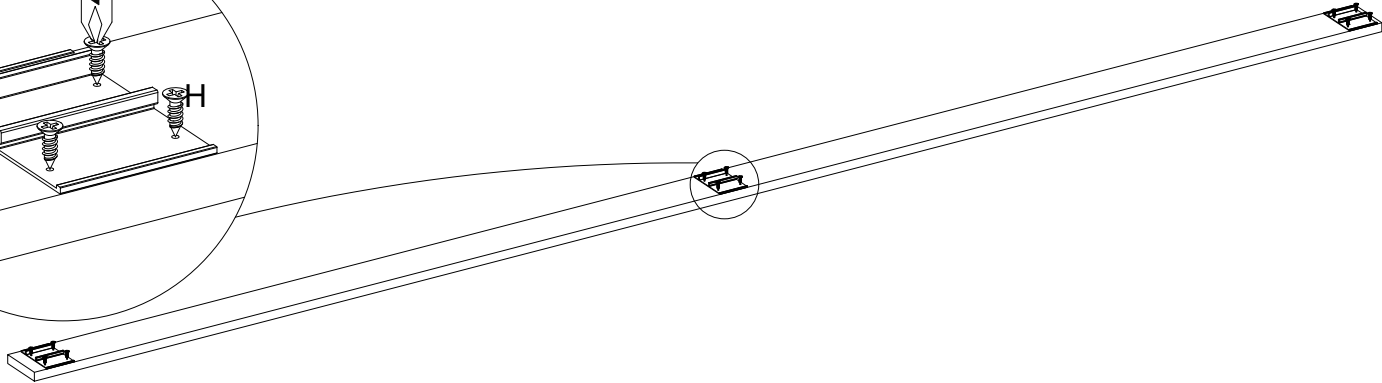
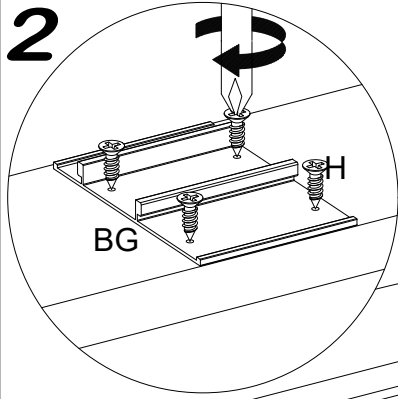
 ZG	 BG	 MG	 KR	 MK	 KG	 SZ	\varnothing M6.0x25  W1	\varnothing M6.0  N1	\varnothing M6.0x25  W2	\varnothing M6.0  N2
3	3	5	2	5	2	1	2	2	2	2
 Q	 O	 PD	 F	 G	 ZG	\varnothing 4.0x35  P	\varnothing 3.0x13  H	\varnothing 6.0  N3	 P3	\varnothing M6.0x25  S3
1	4	2	1	2	2	8	12	2	2	2



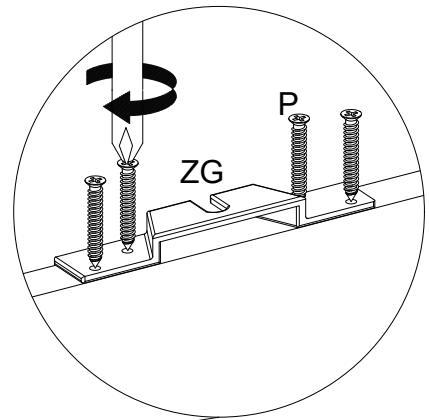
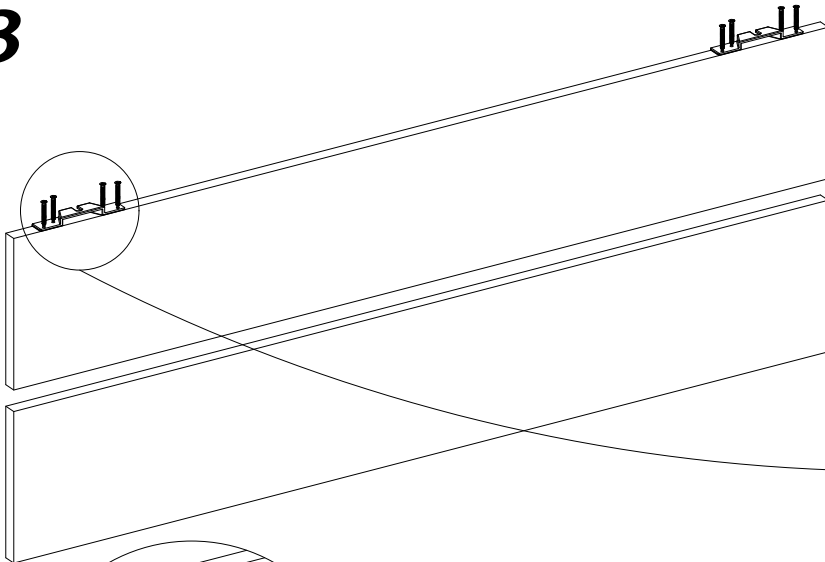
1



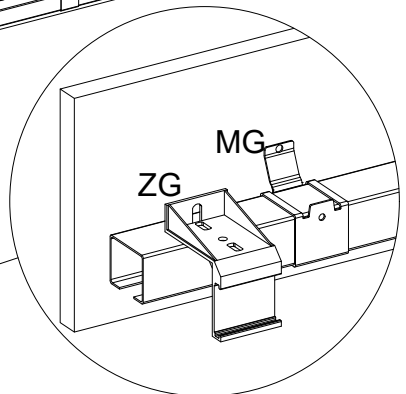
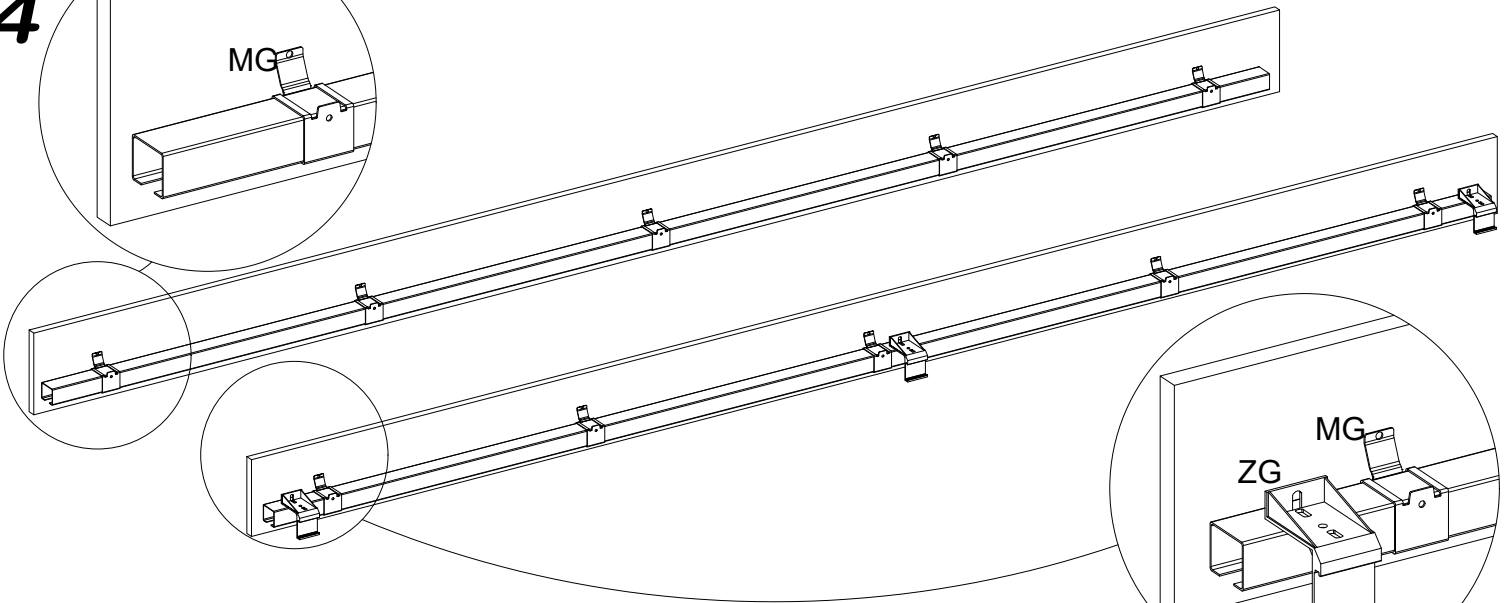
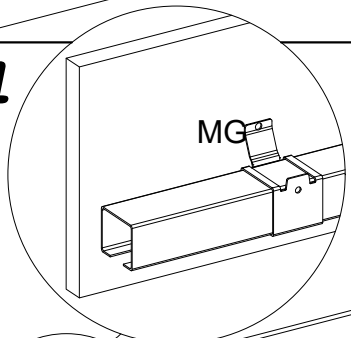
2



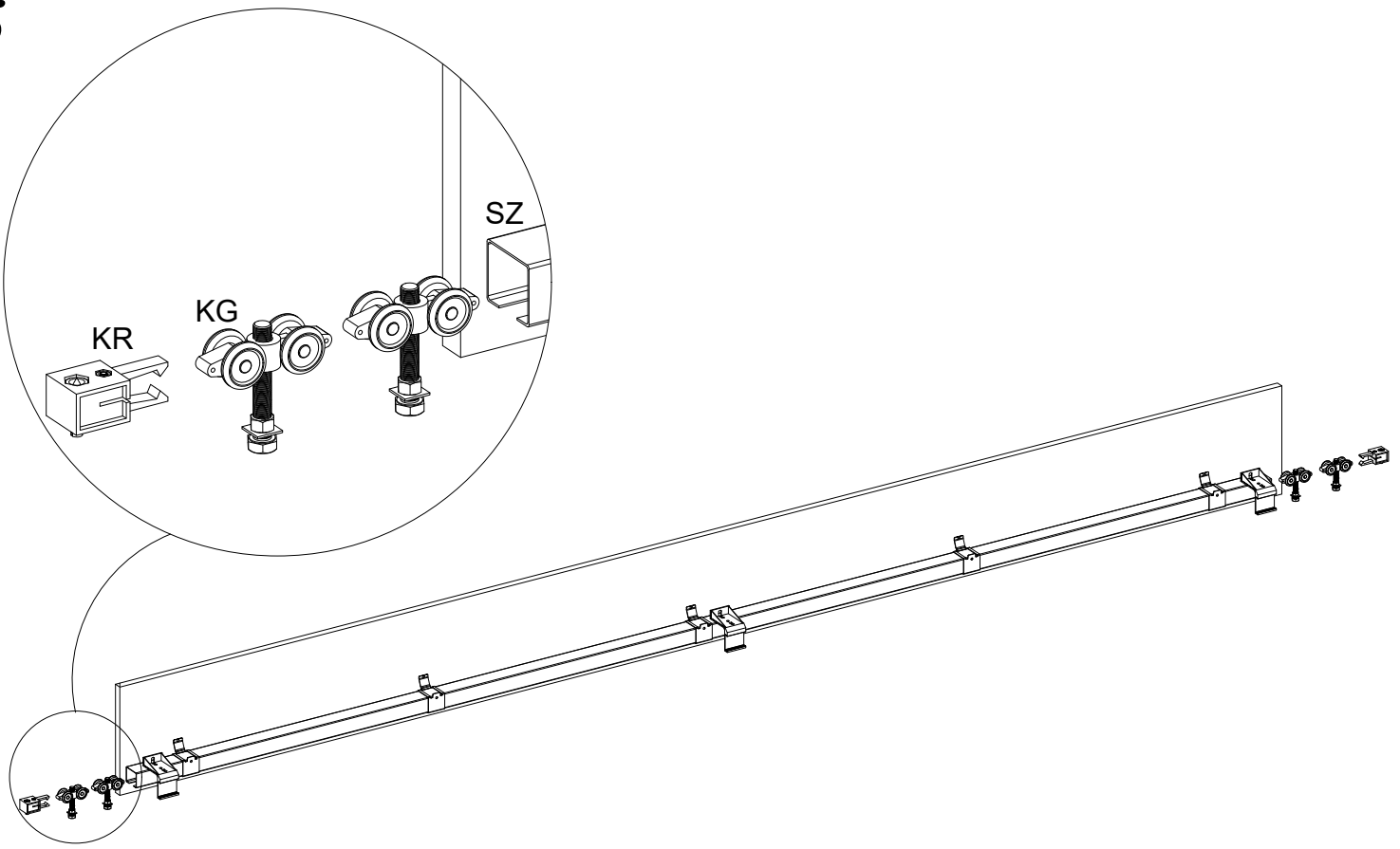
3



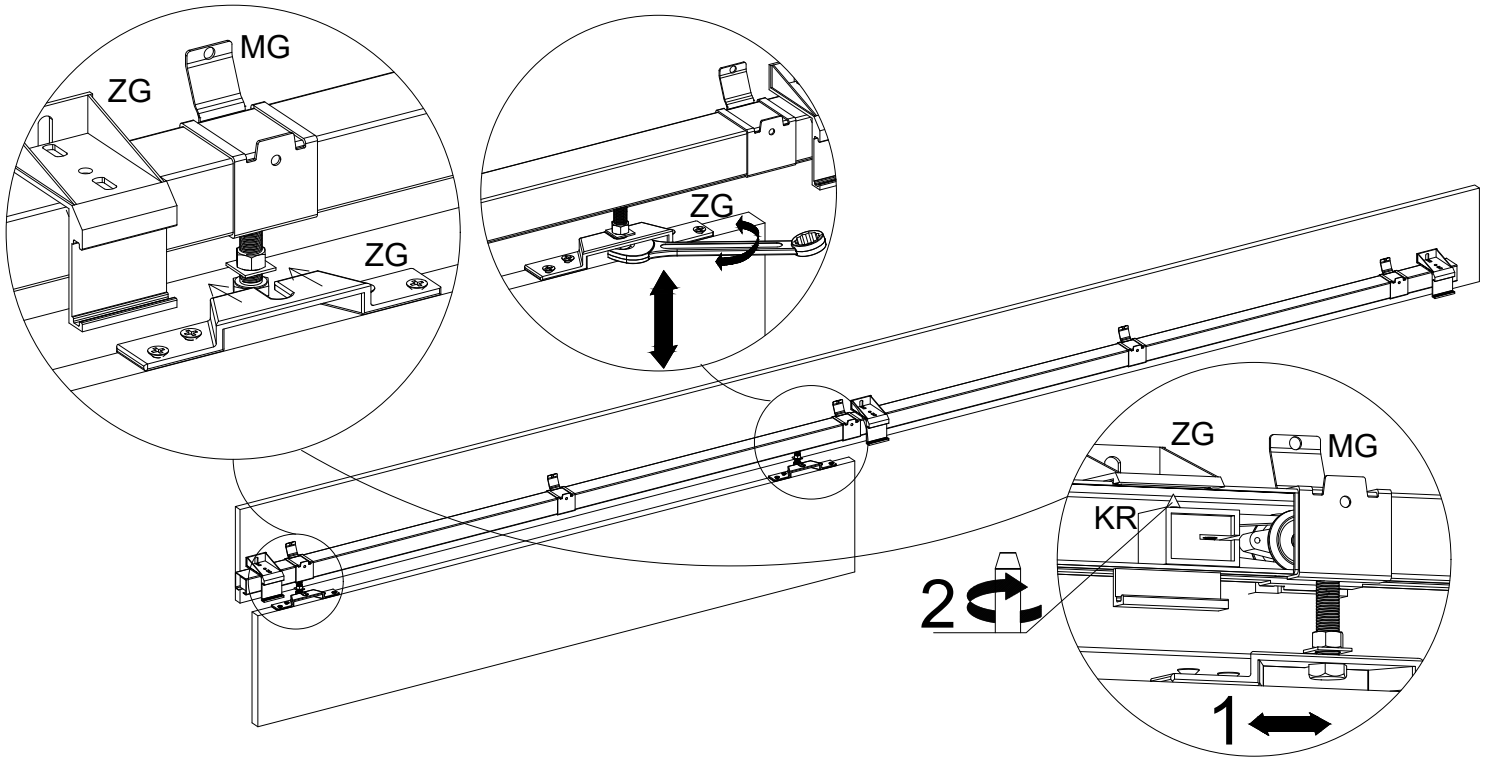
4



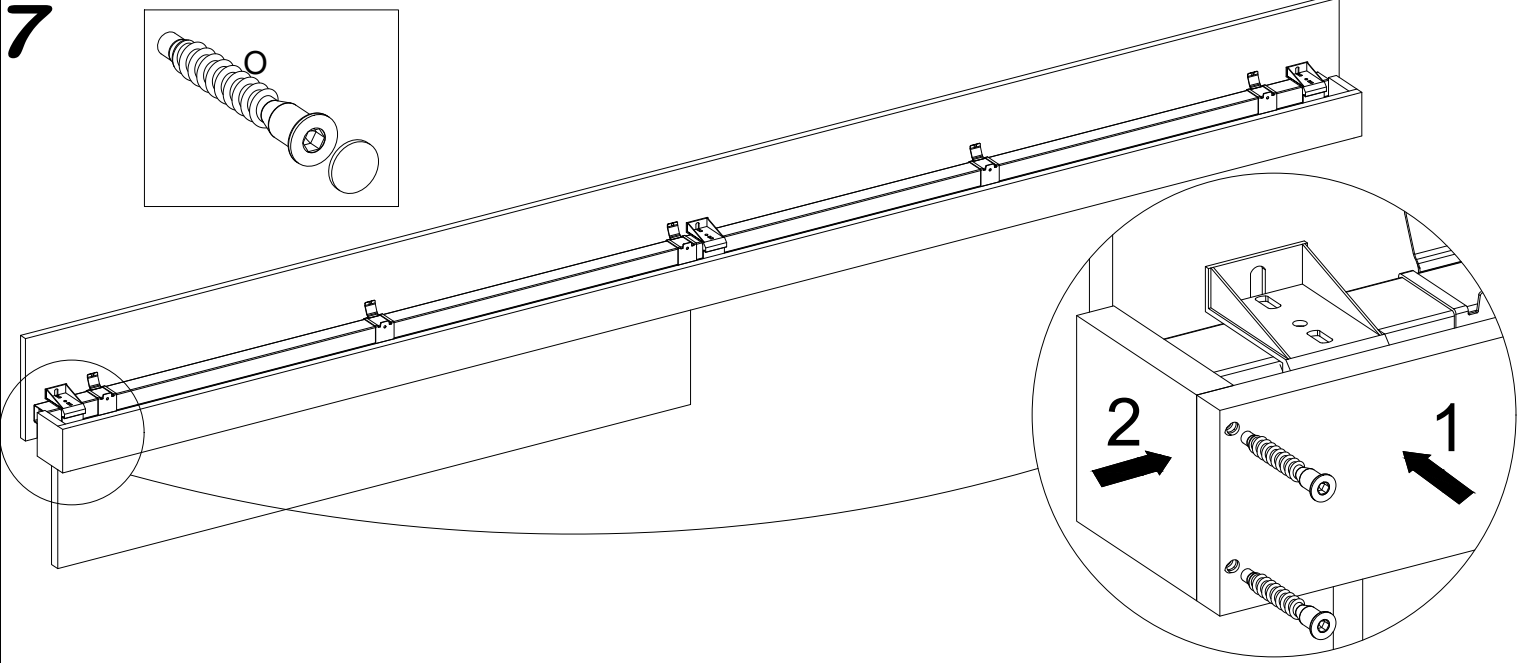
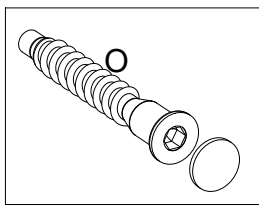
5



6



7



8 ?

