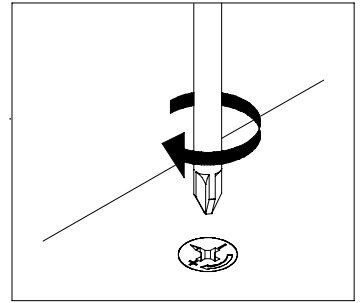
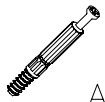

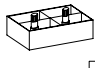
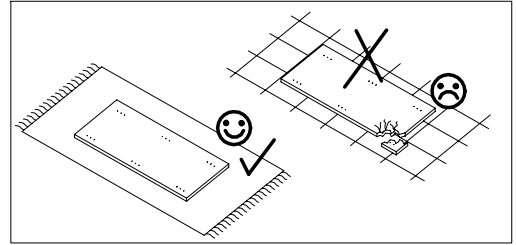
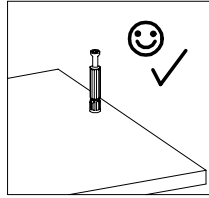
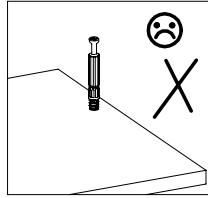


	8.0x30	
C1		D
40	52	
6.3x13	4.0x30	
F	G1	
14	3	
C2	E	
1	8	
	KR-15	
X14		Y23
7	7	
A	B	
44	44	

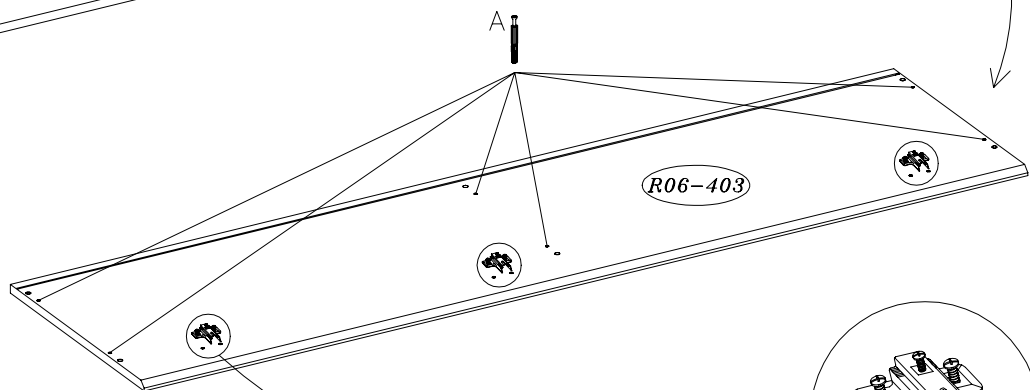
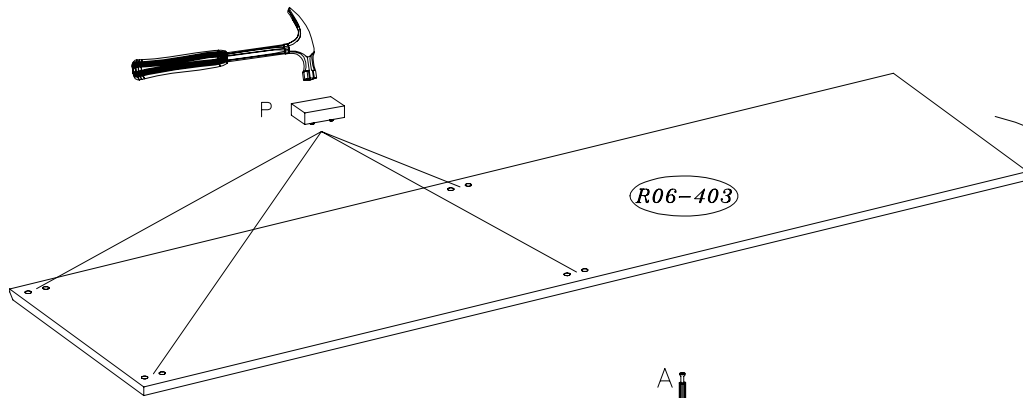
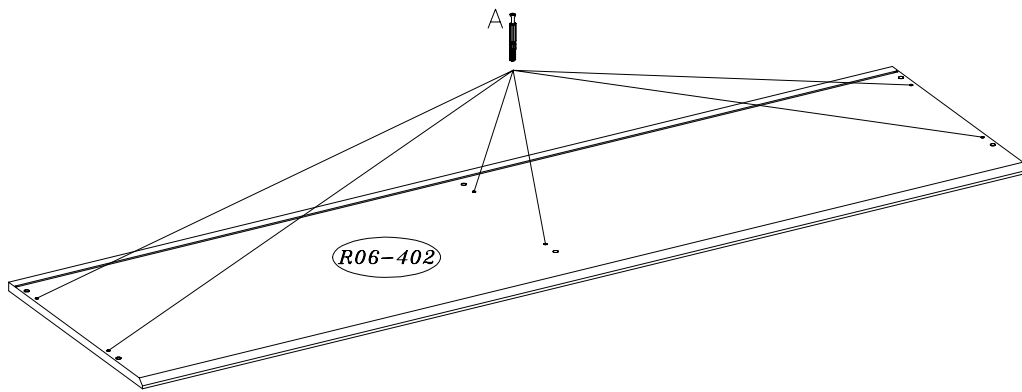
		6.4x50	4mm	L-702		3.0x13		L	R	L	R
P	P24	K1	I2	UA45	J	W3	R1	Z2	Z2	C6	C6
4	6	2	1	1	22	12	2	2 KPL	2 KPL	2 KPL	2 KPL




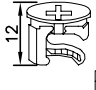
 A	 X14	 P
12	3	4

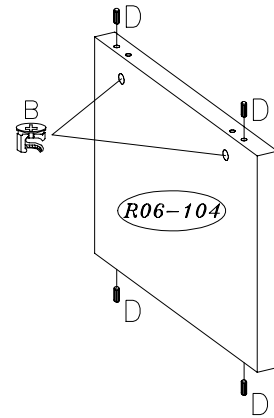
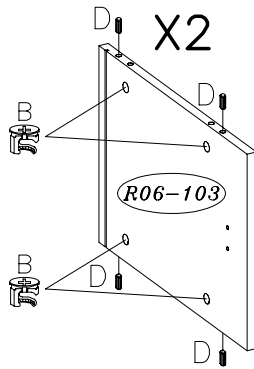
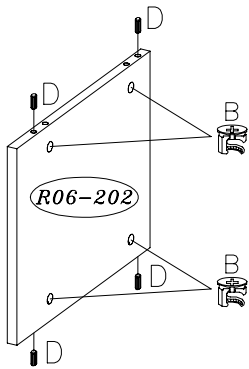


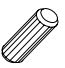
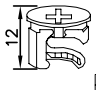
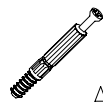
1

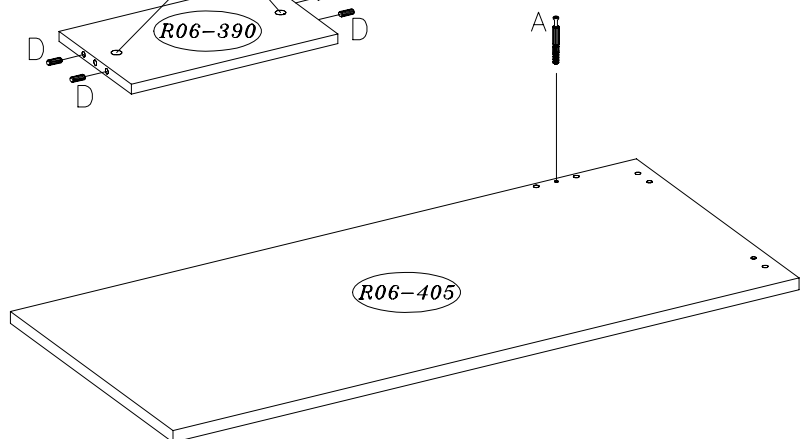
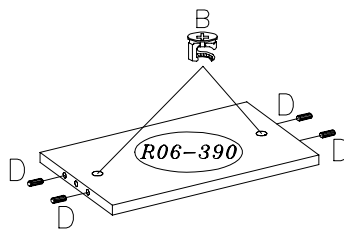
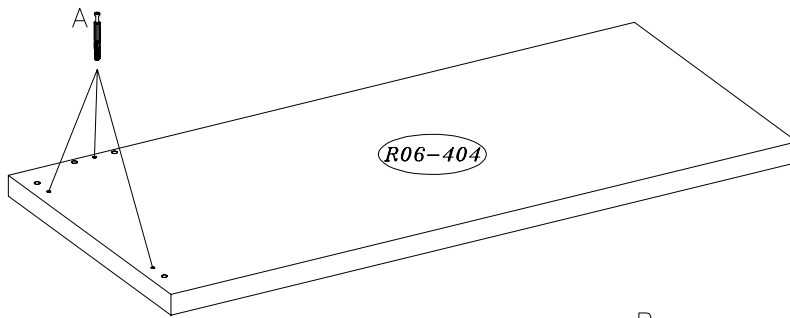


X14

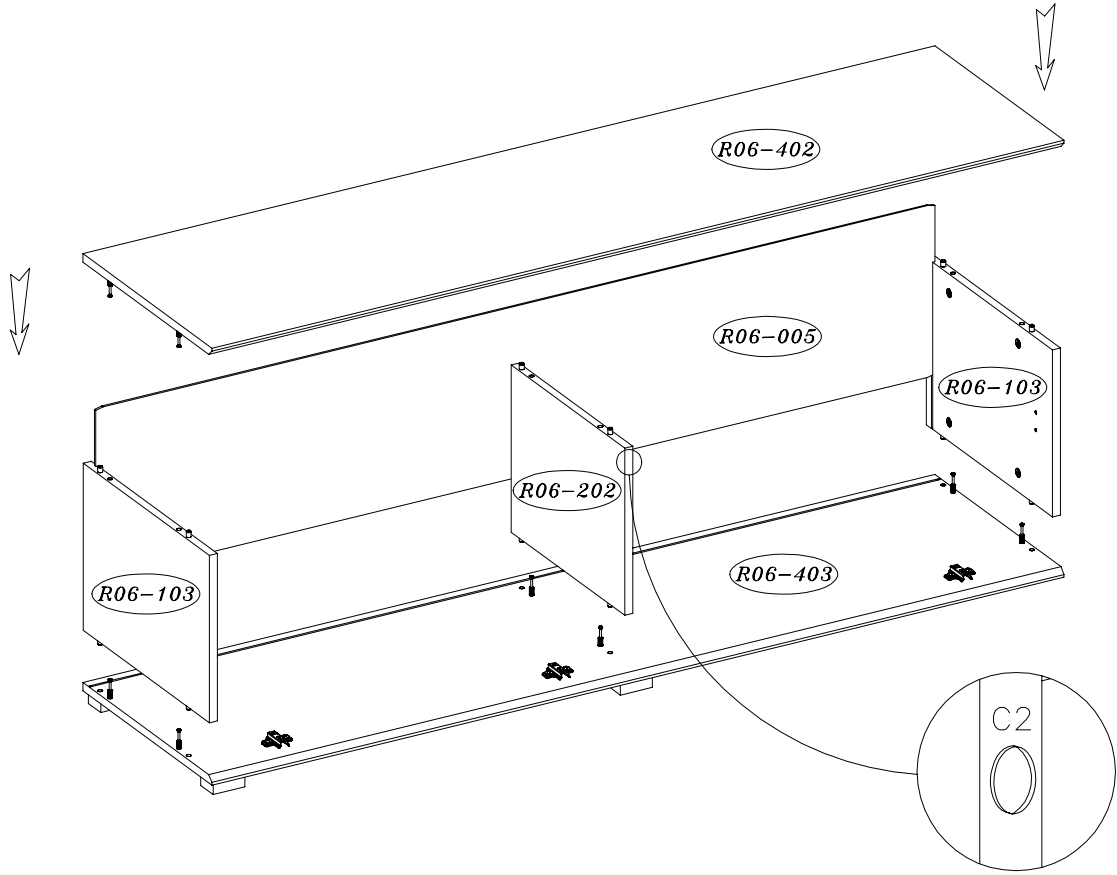
8.0x30  D	 B
16	14



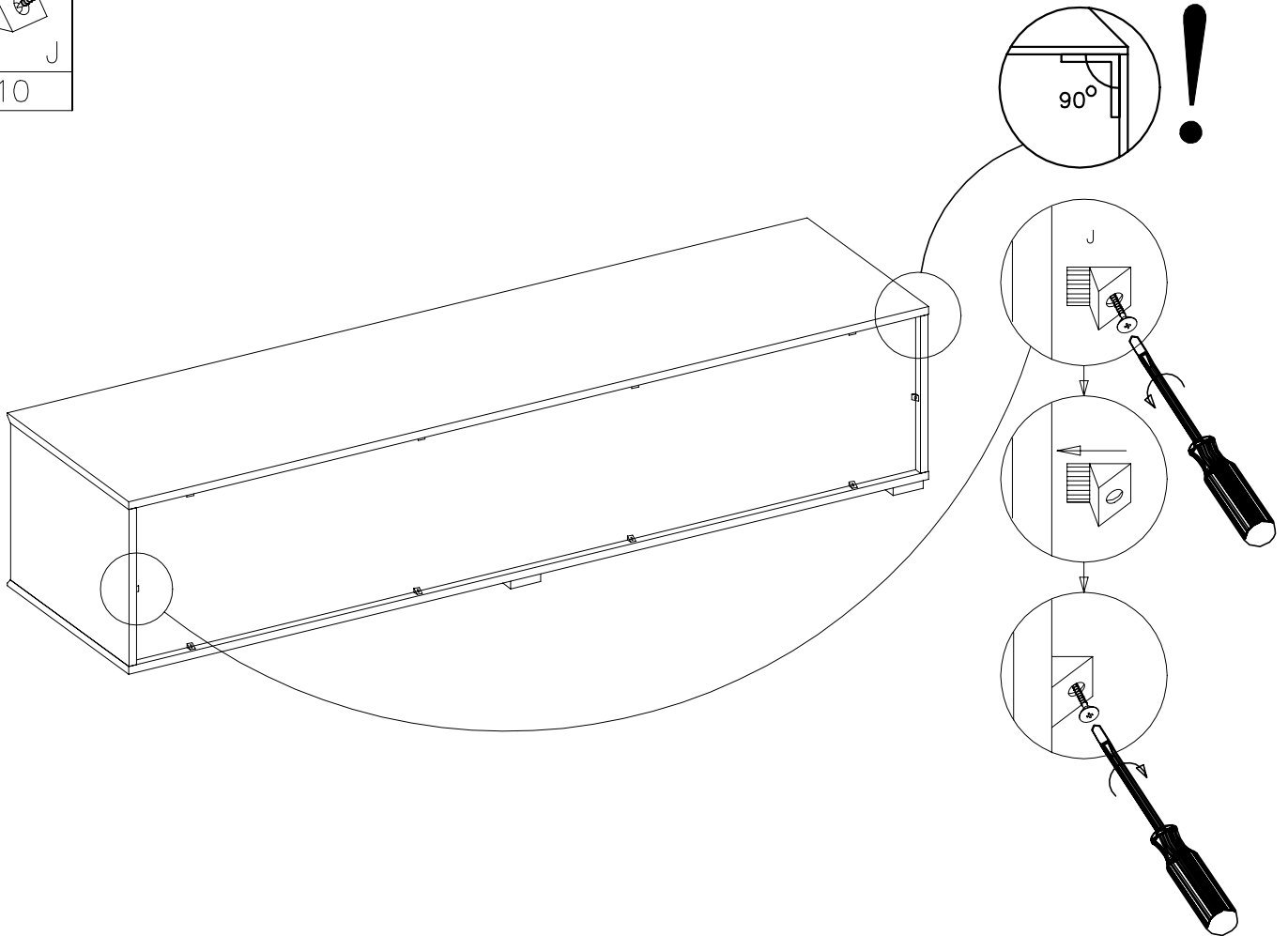
8.0x30  D	 B	 A
4	2	4


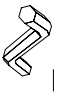


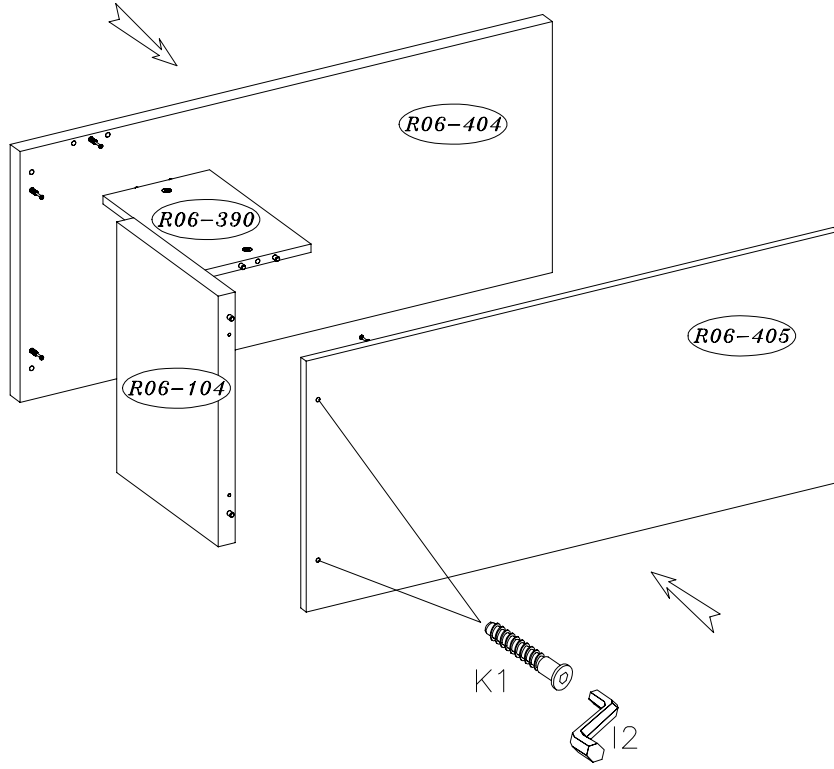
C2
1

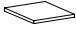


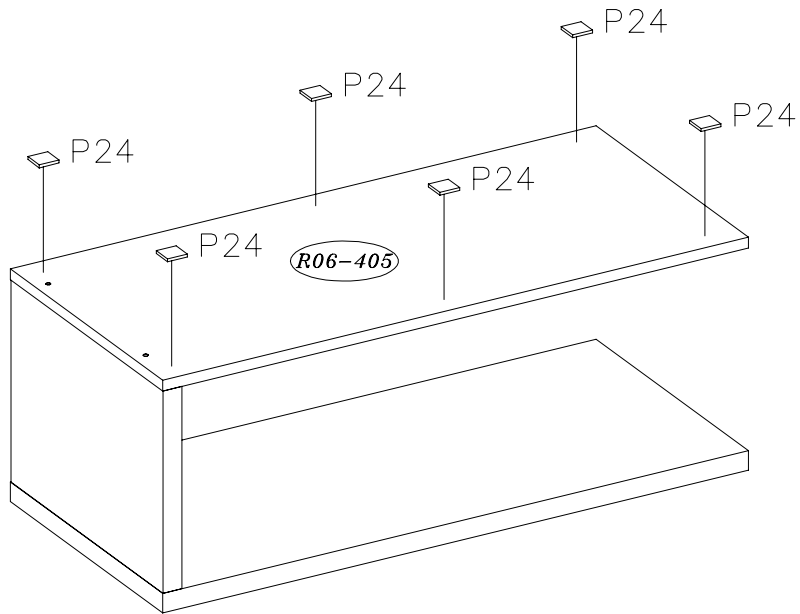
J
10

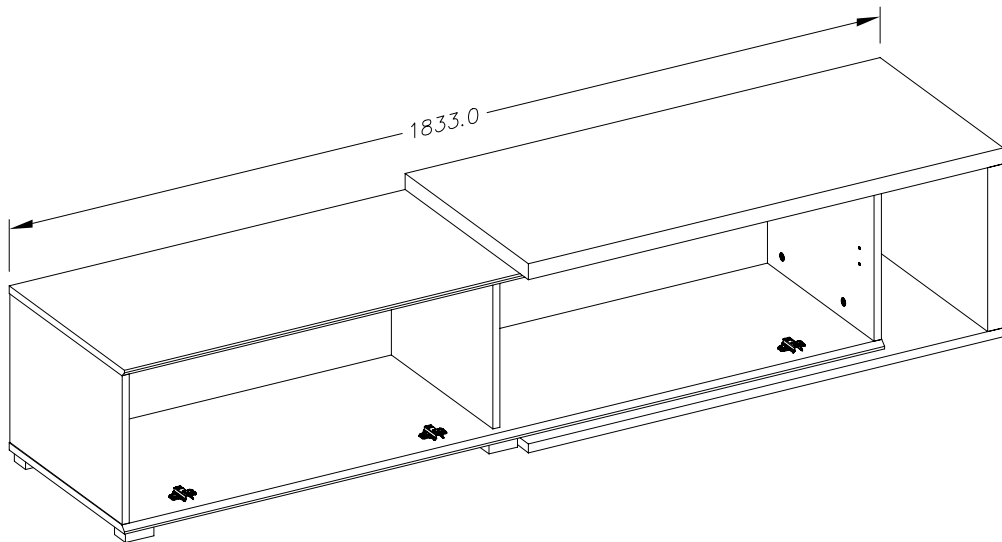
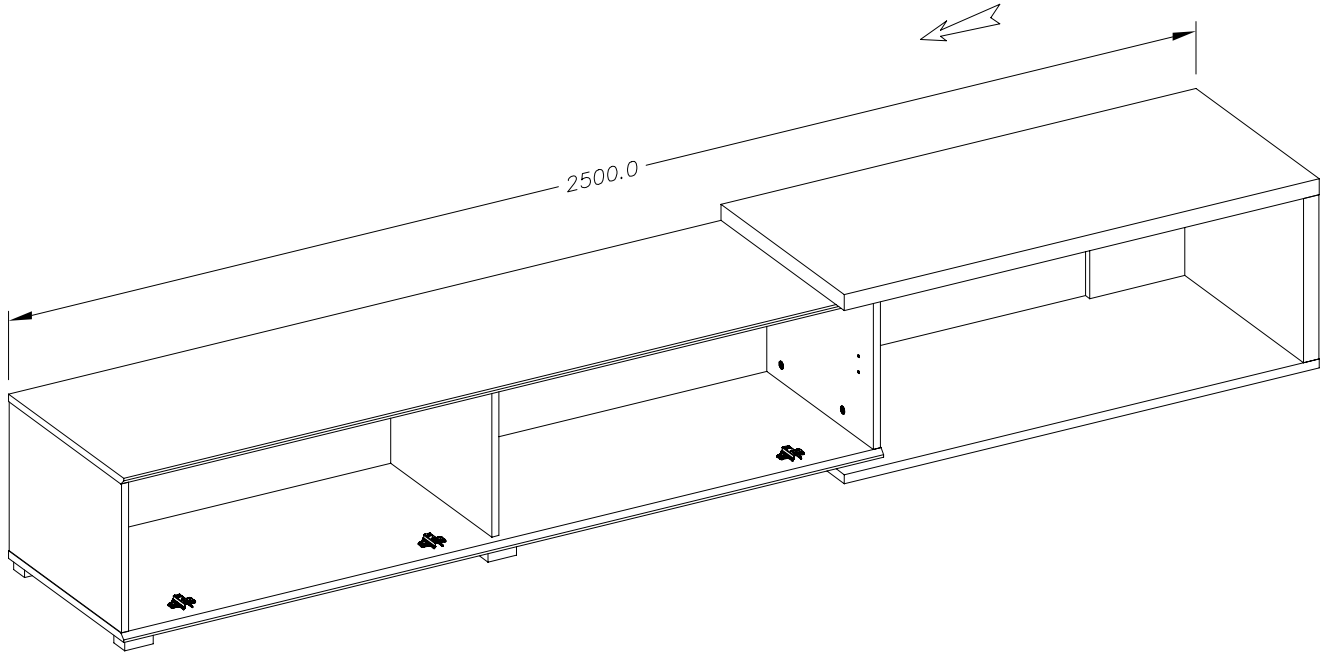


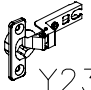

6.4X50  K1	4mm  I2
2	1

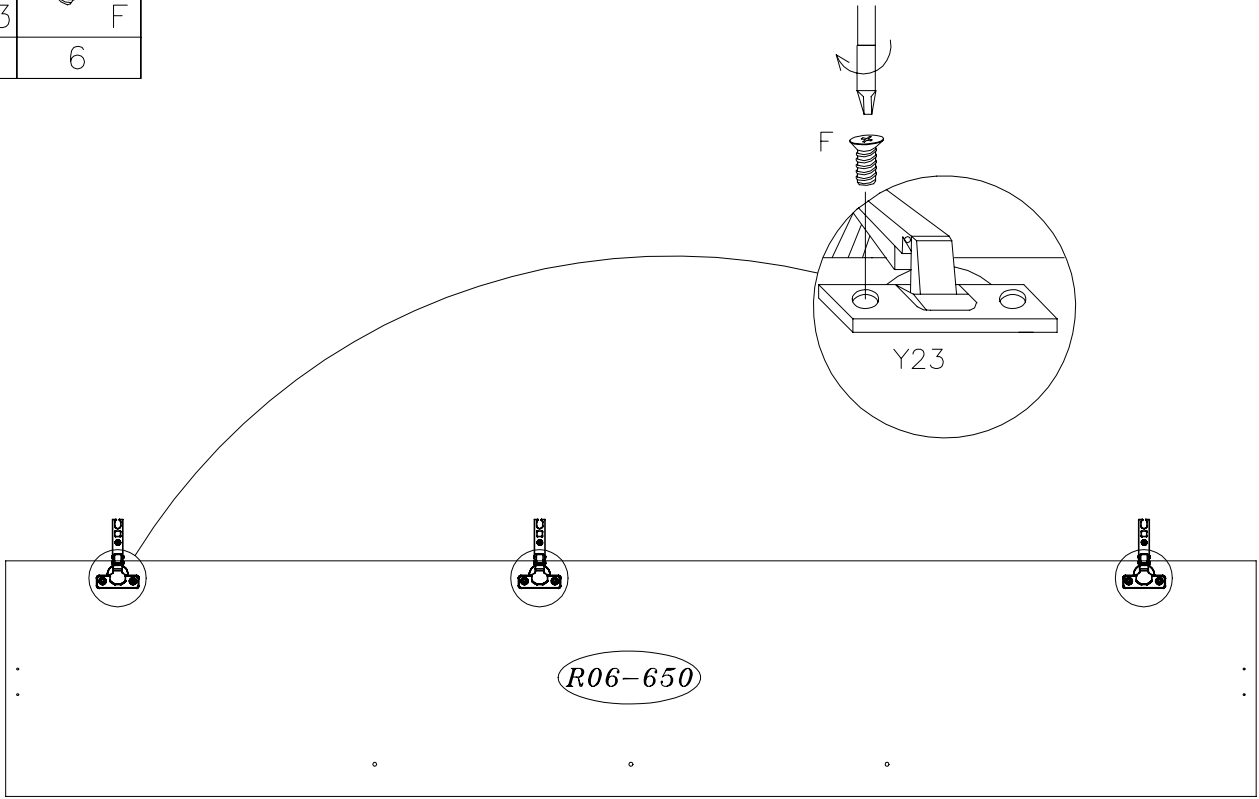


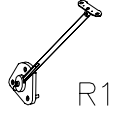


P24
6

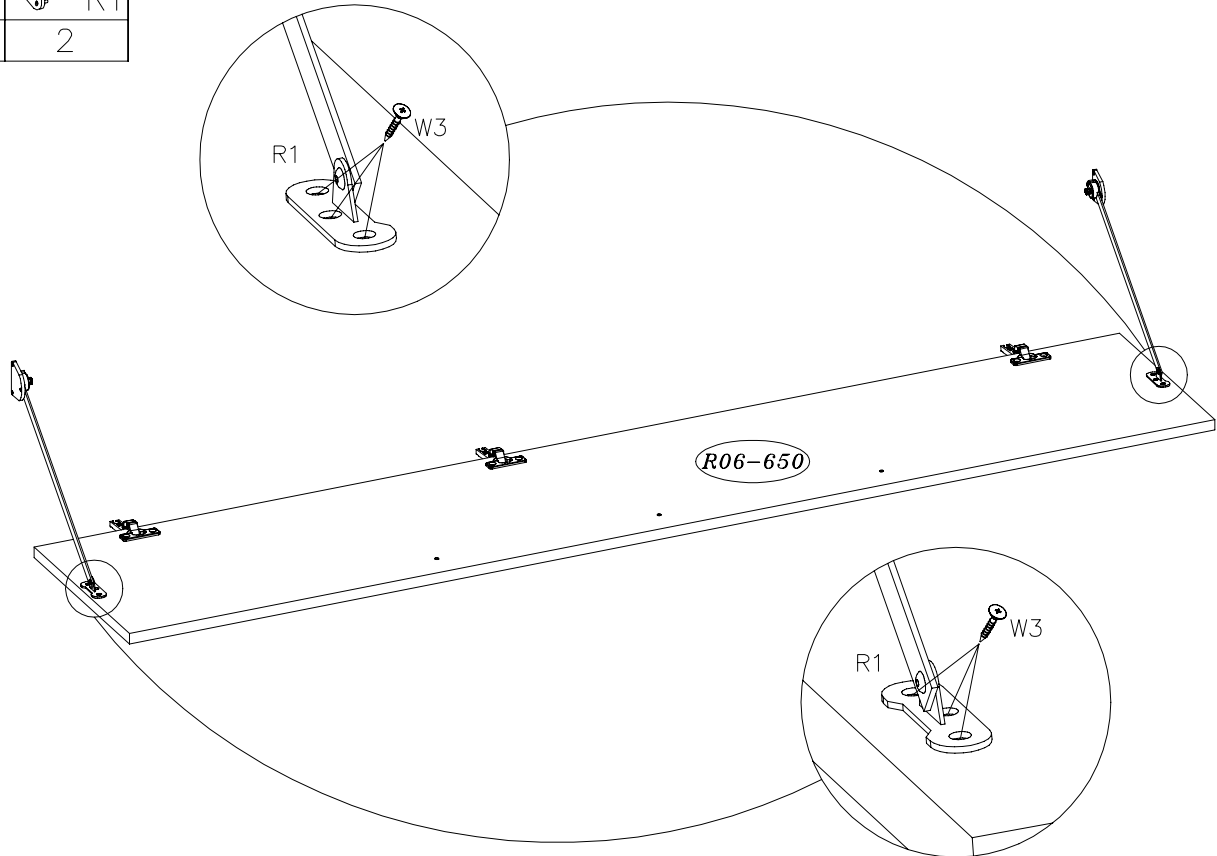



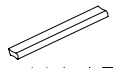

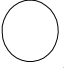


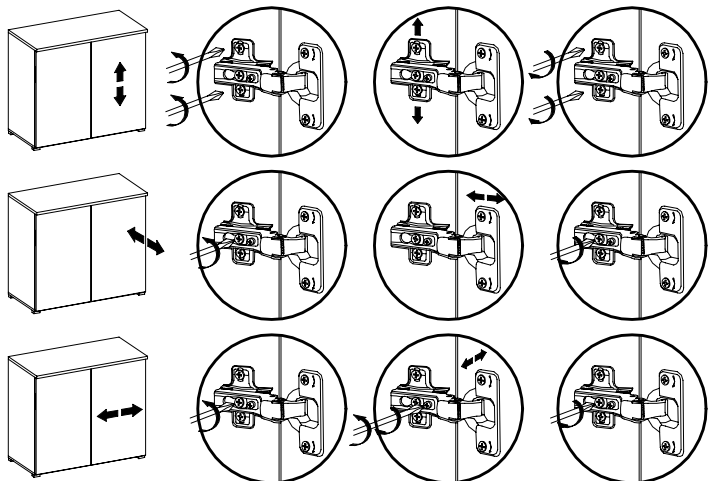
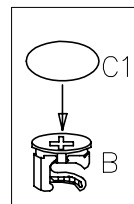
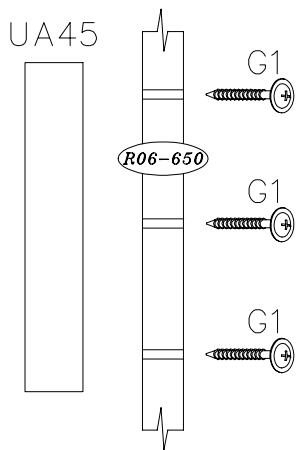
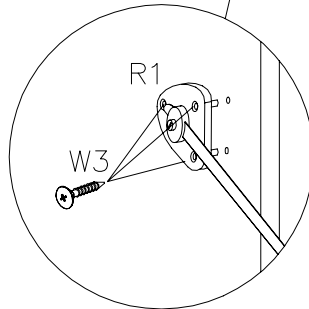
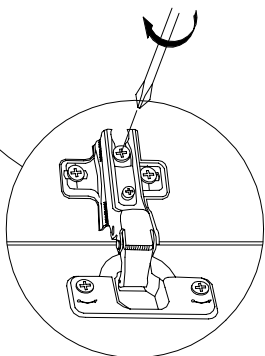
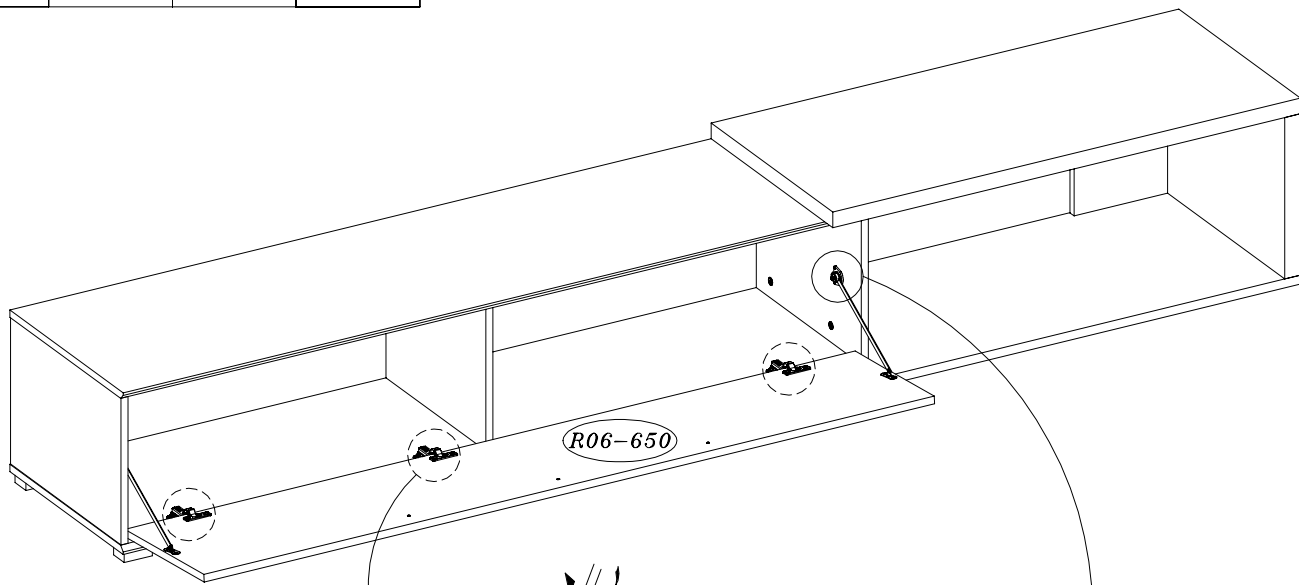
KR-15	6.3x13
	
Y23	F
3	6


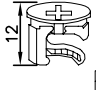
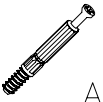


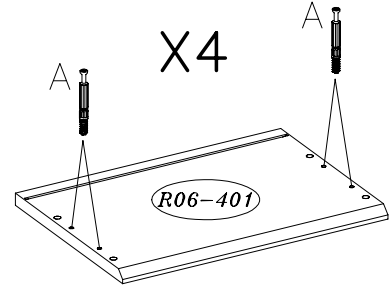
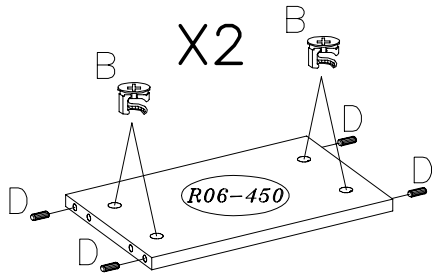
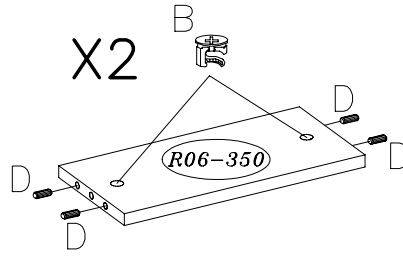
3.0x13	
	R1
W3	
6	2

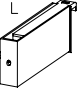
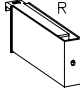


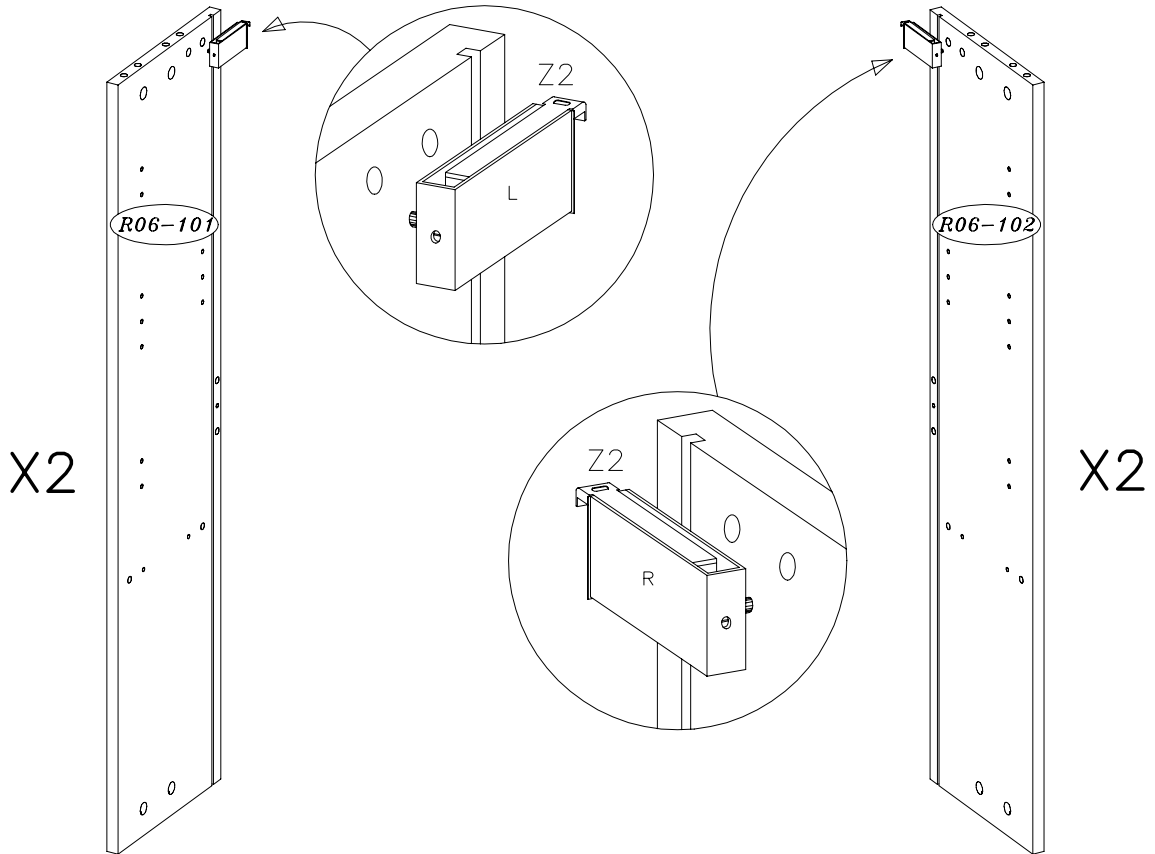
4.0x30  G1	L-702  UA45	3.0x13  W3	 C1
3	1	6	14


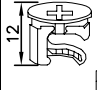
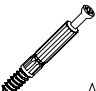



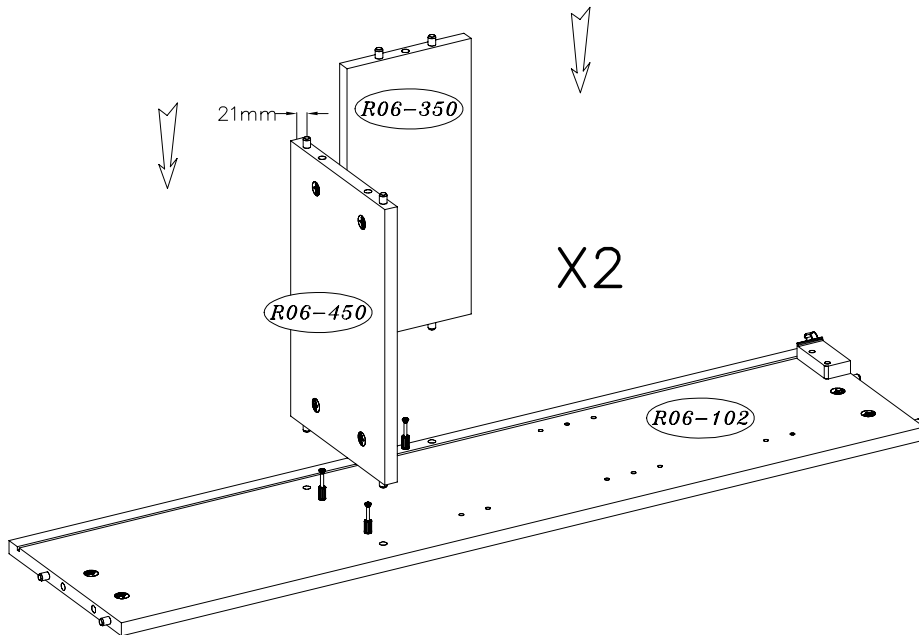
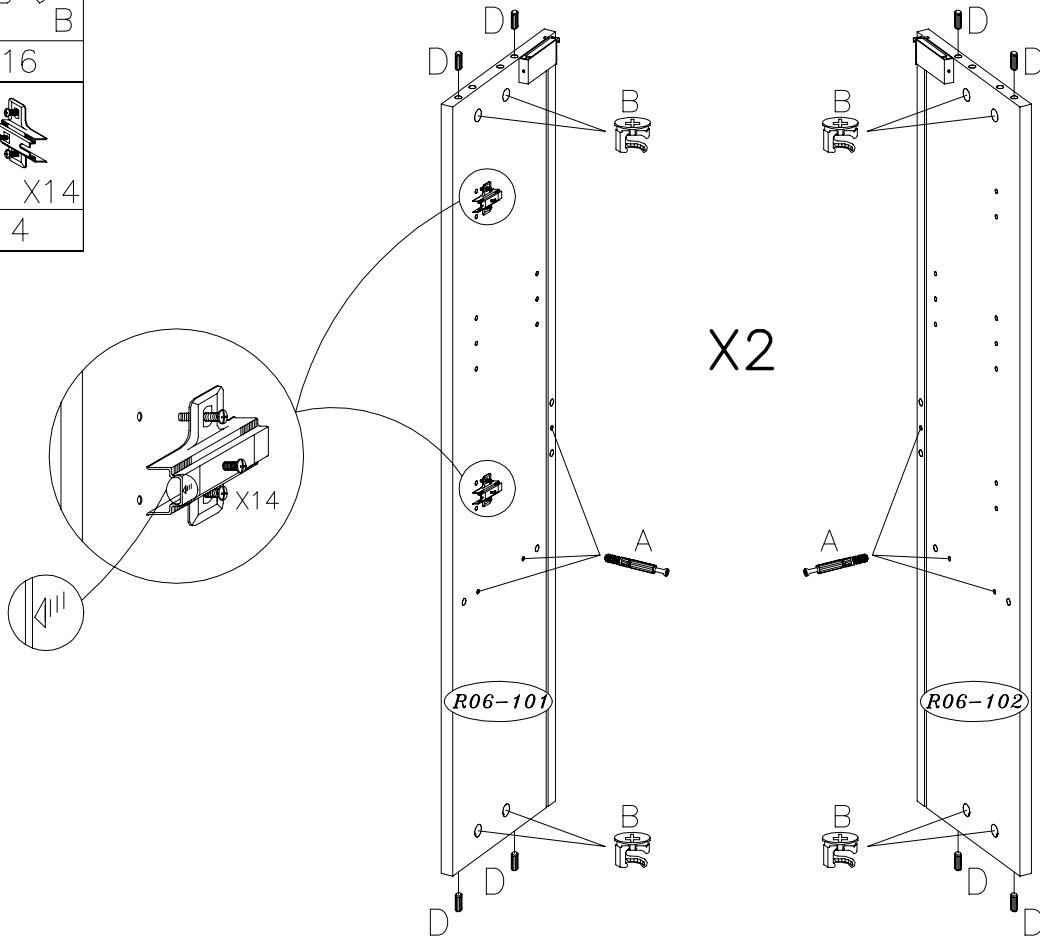
8.0x30  D	 B	 A
16	12	16

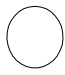


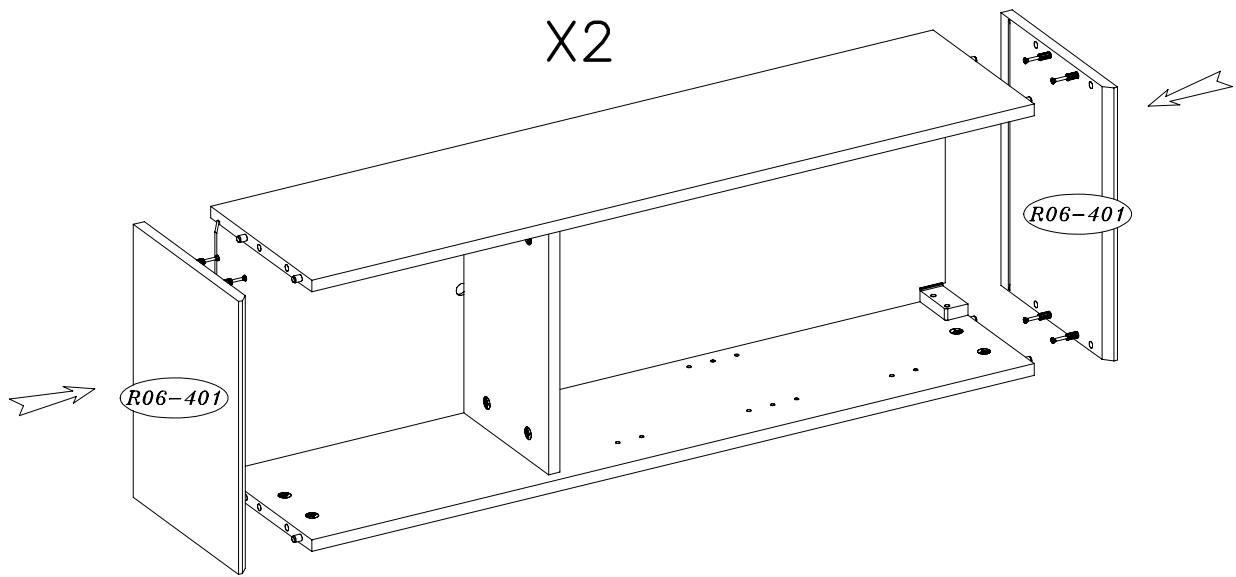
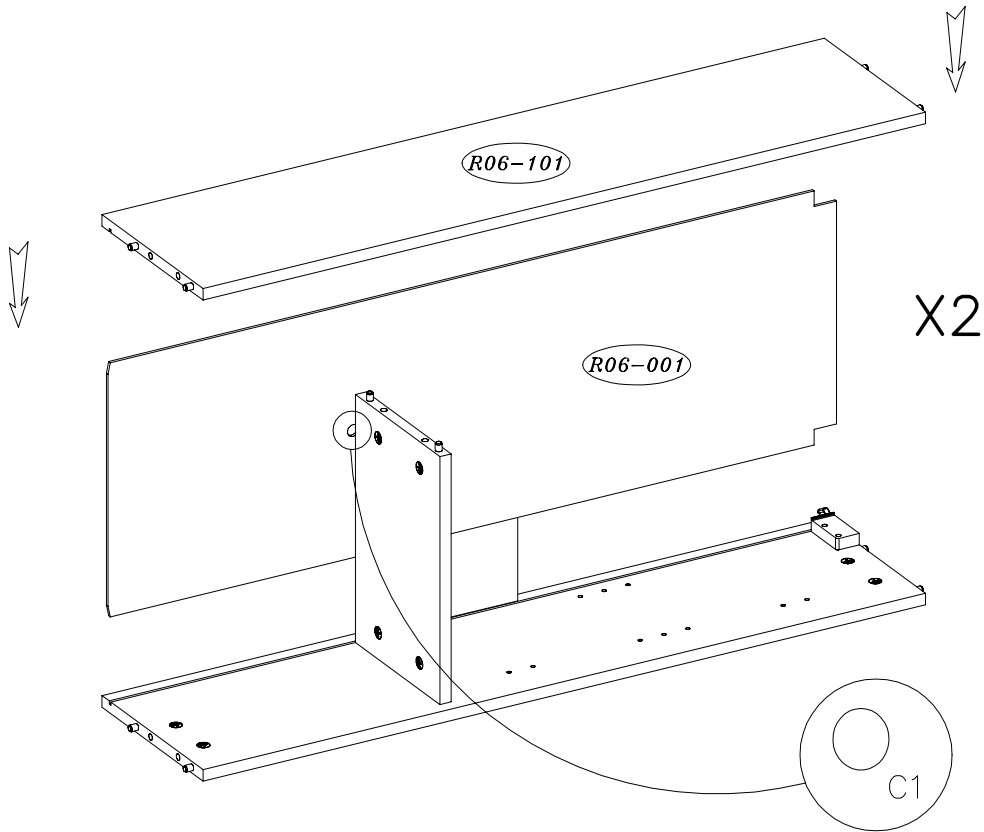
 L	 R	Z2
2 KPL		

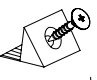


8.0x30  D	 B
16	16
 A	 X14
12	4



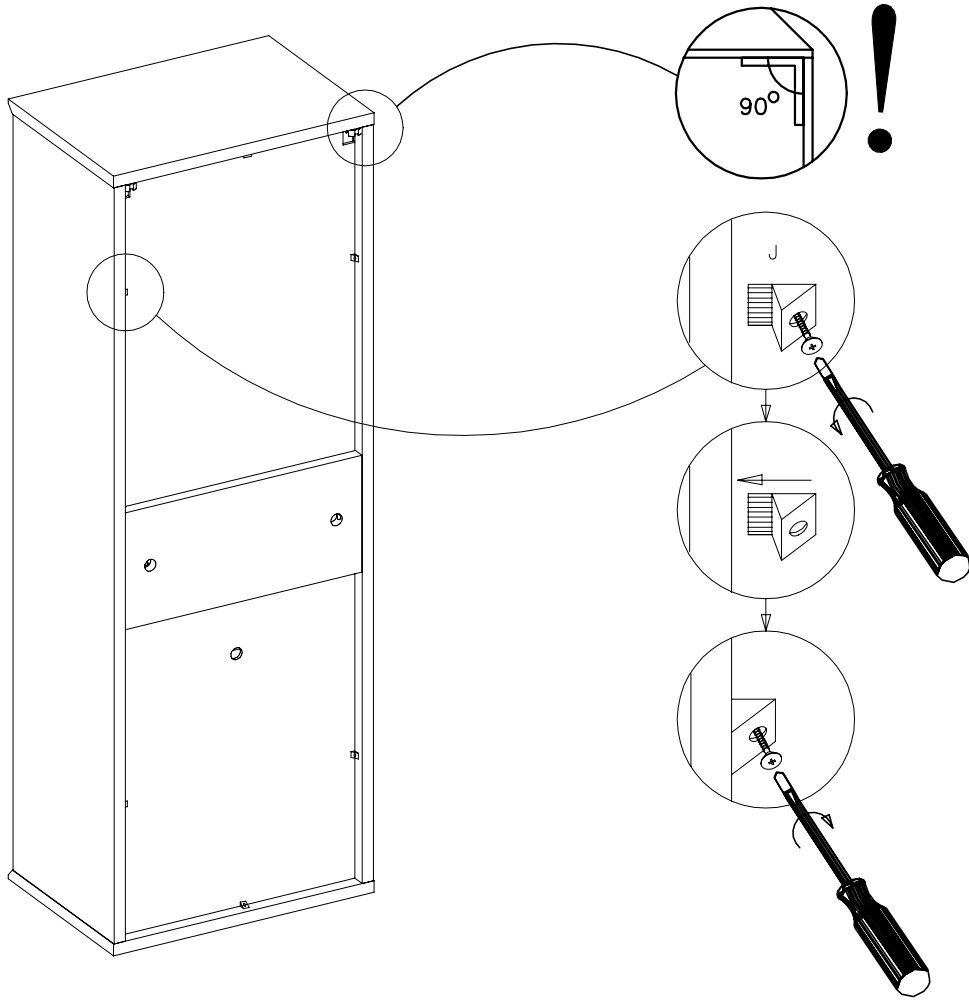
 C1
2


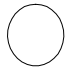



J
12

18

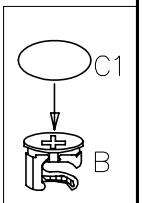
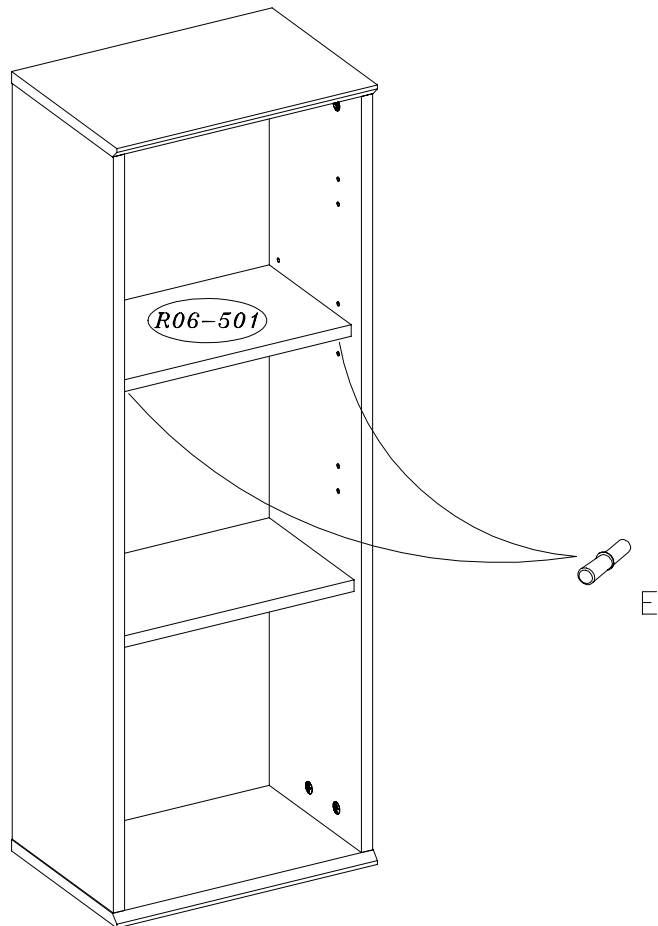
X2

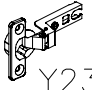



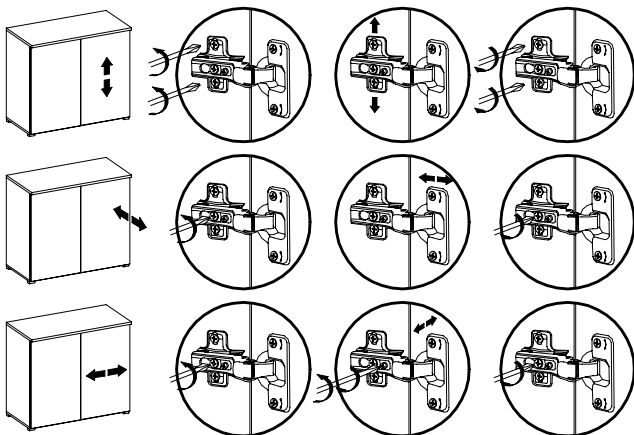
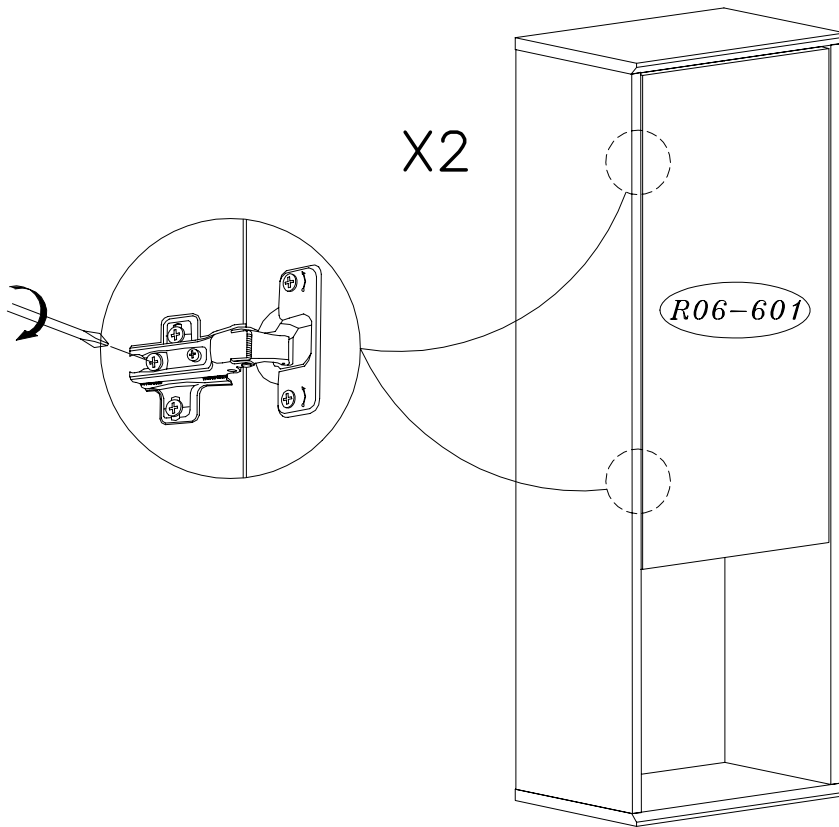
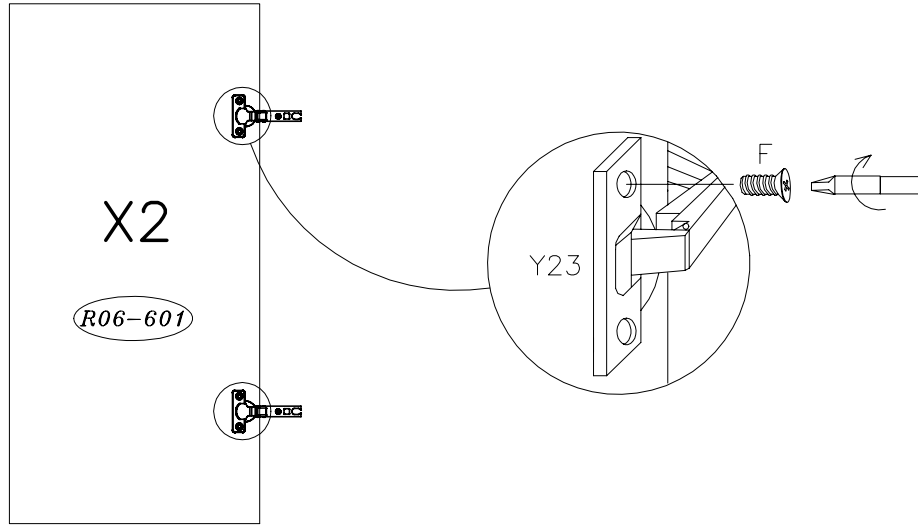
	
E	C1
8	24

19

X2

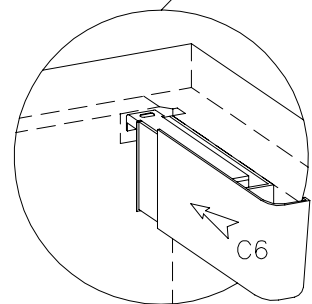
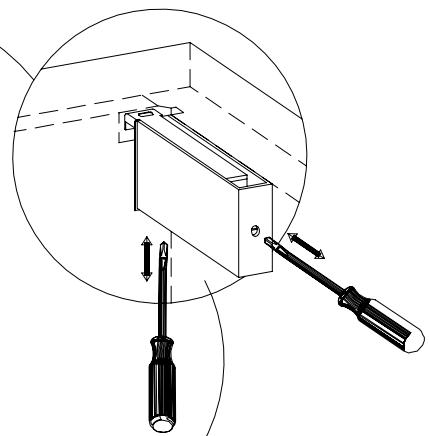
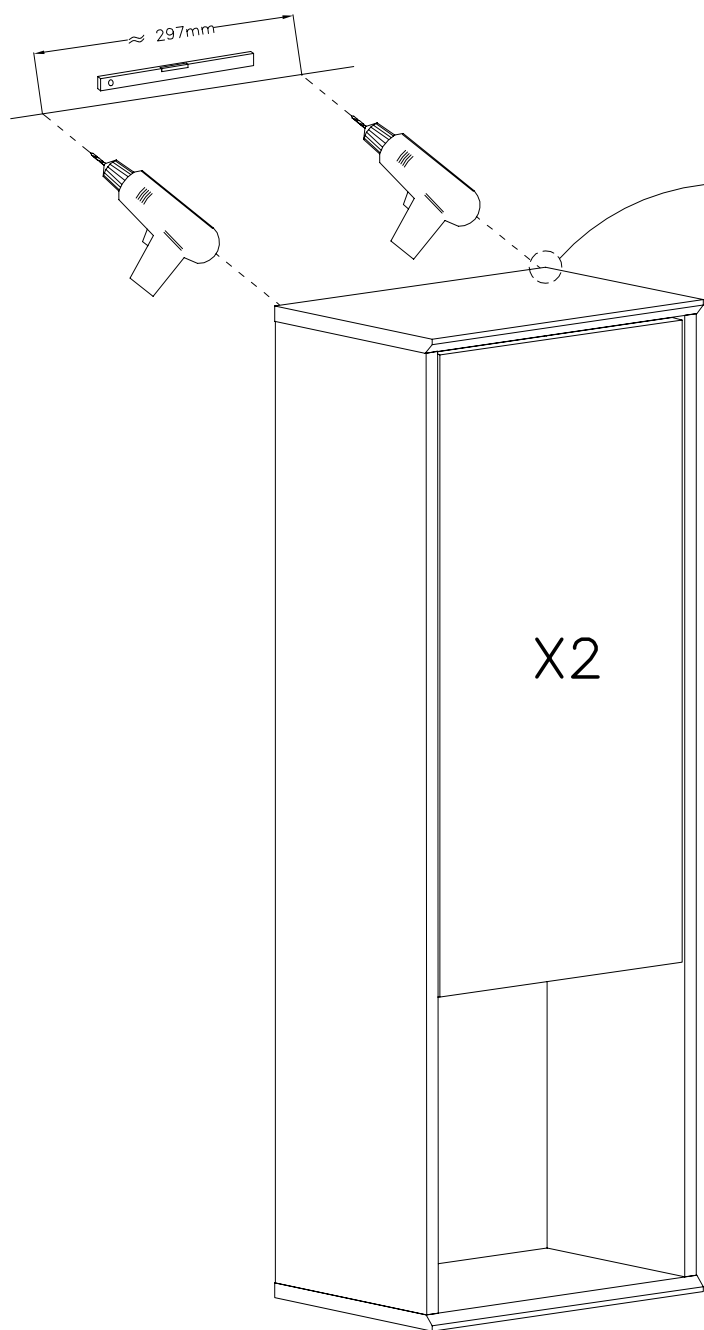


KR-15	6.3x13
	
Y23	F
4	8

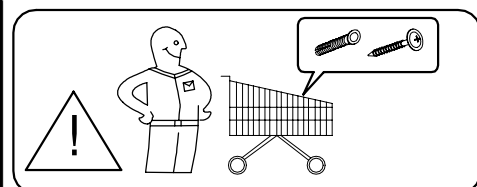
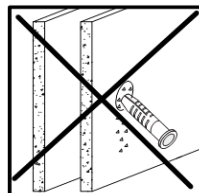
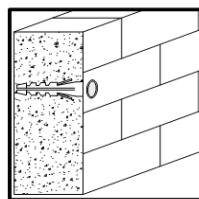


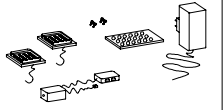
22

L	R
C6	
2 KPL	

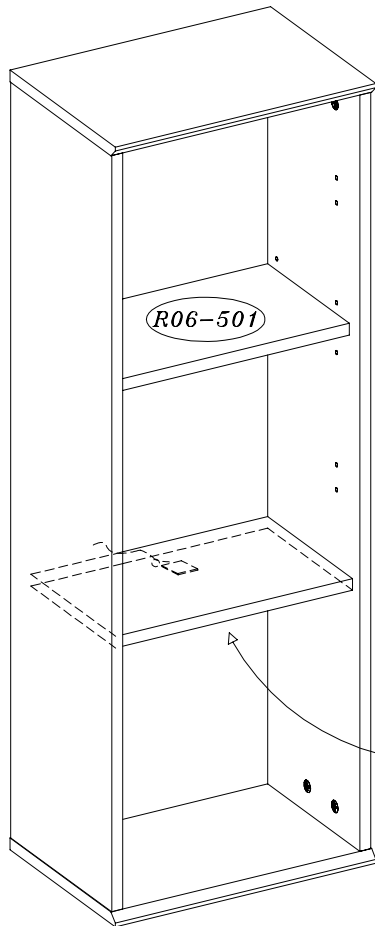


X2





1 KPL



X2

