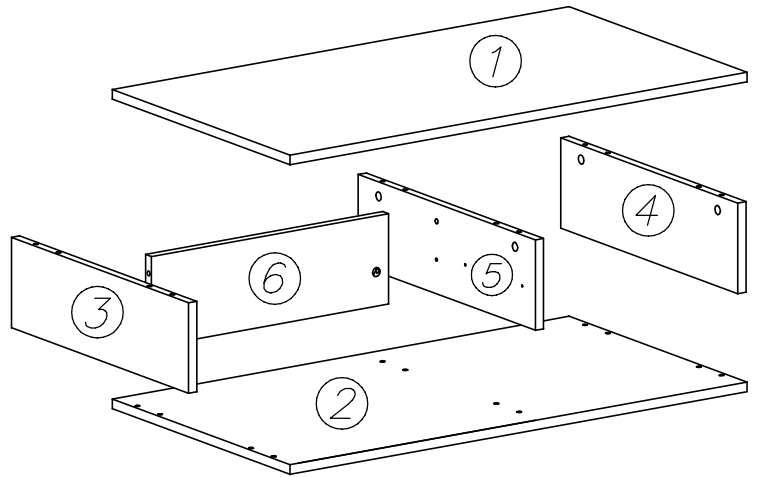
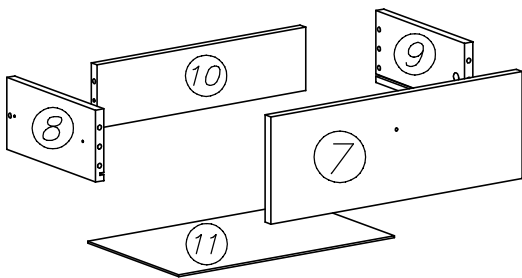

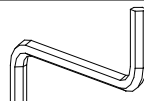
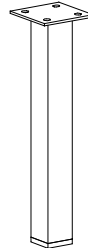



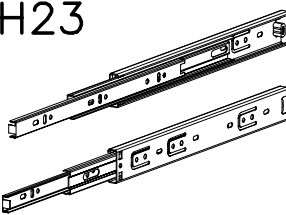



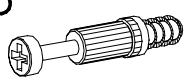
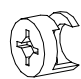
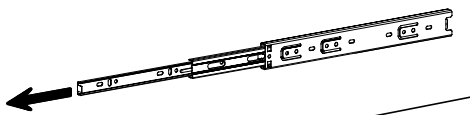


1	900	500	16	1
2	900	500	16	1
3	151	498	16	1
4	151	498	16	1
5	151	498	16	1
6	467	151	16	1
7	495	179	16	1
8	250	120	16	1
9	250	120	16	1
10	411	106	16	1
11	258	425	2,5	1

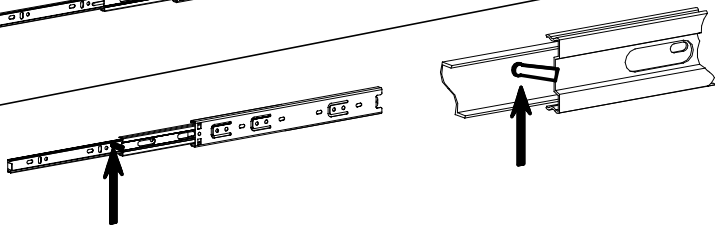


	B1  $\varnothing 8 \times 30$ x22	W2  4mm x1	P4  x4	N15  M4x25 x1
G22  3x16 x12	A1  $\varnothing 7 \times 50$ x8	H23  H30-250mm x1	E44  x1	
G50  6x13 x16	I7  $\varnothing 18$ x10		K5  x10	K1  $\varnothing 15 \times 12$ x10

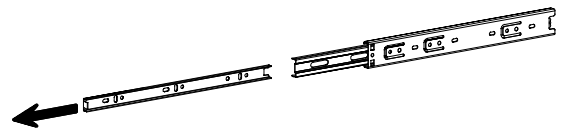
A



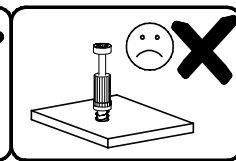
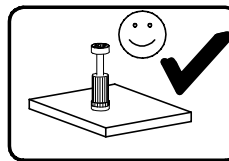
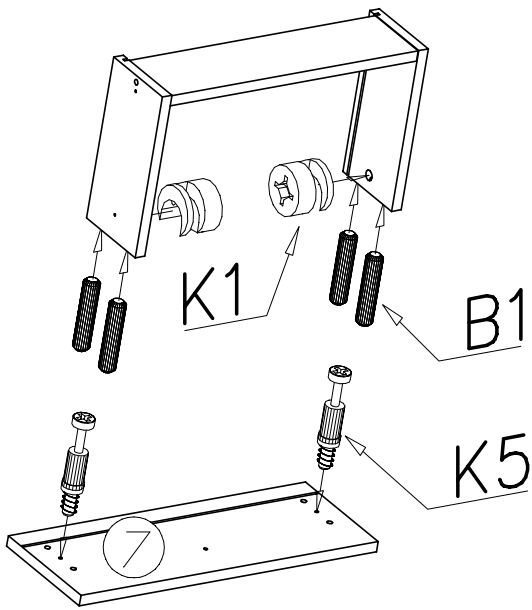
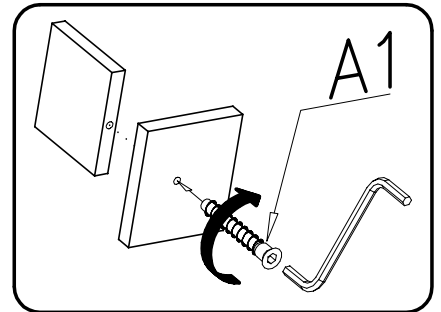
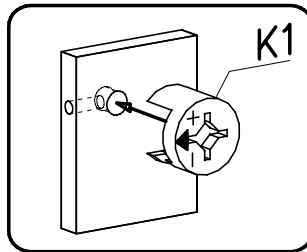
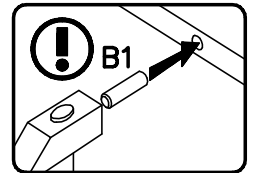
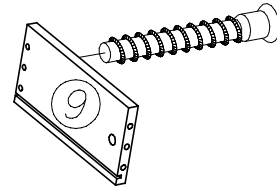
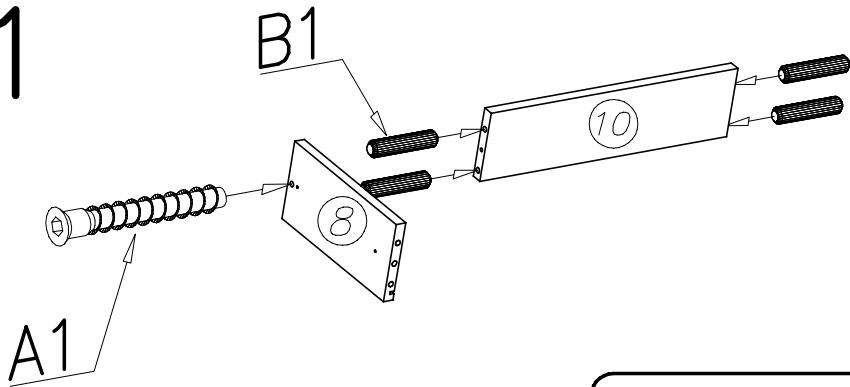
B



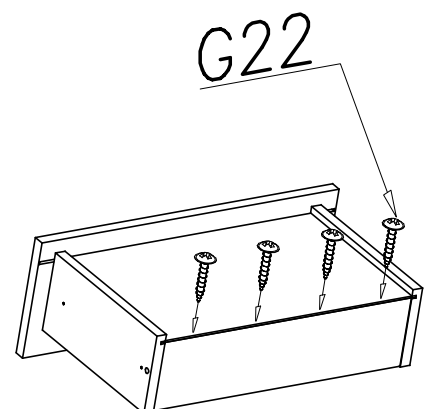
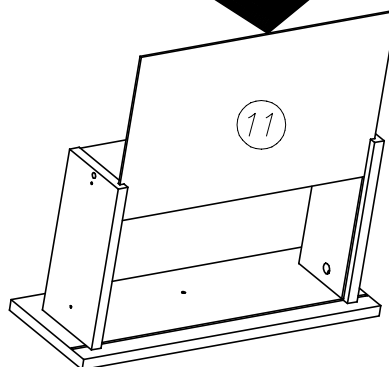
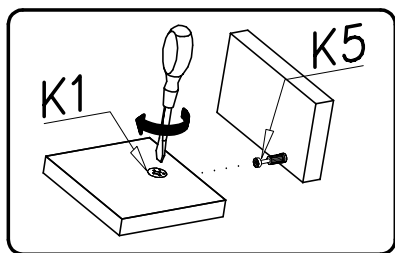
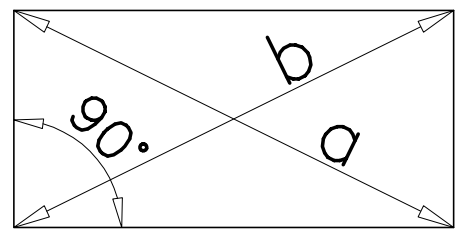
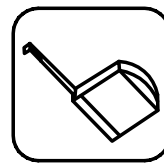
C



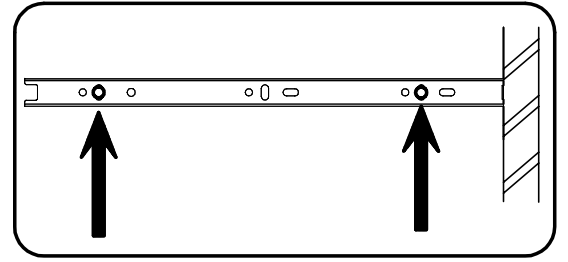
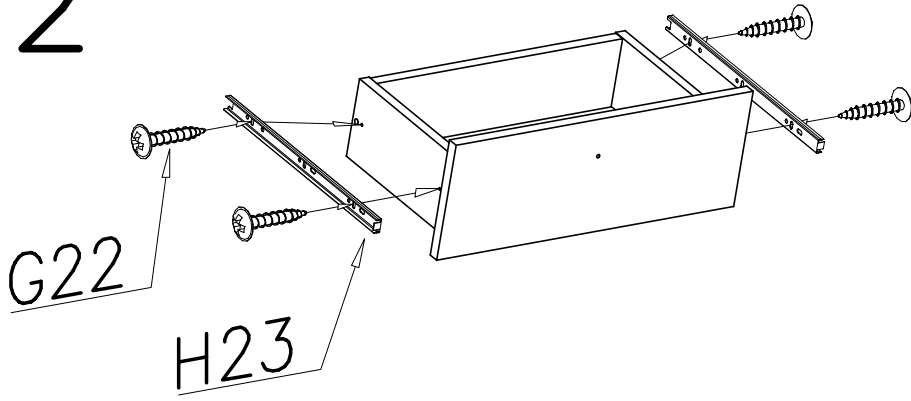
1



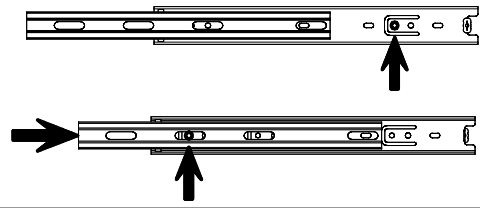
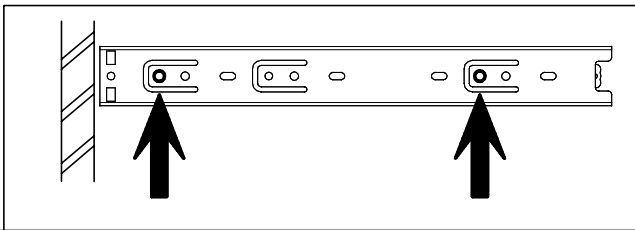
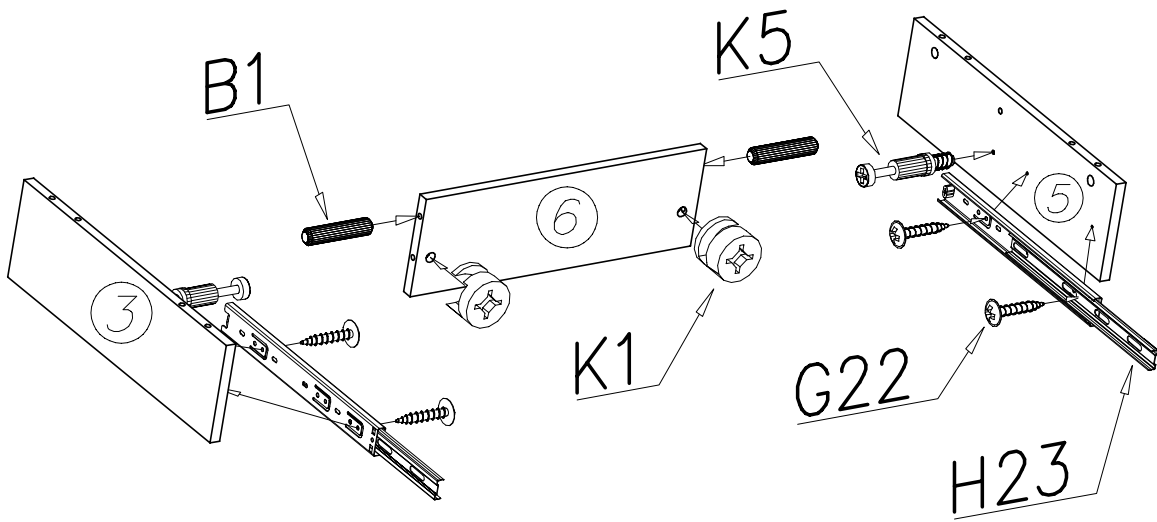
a = b



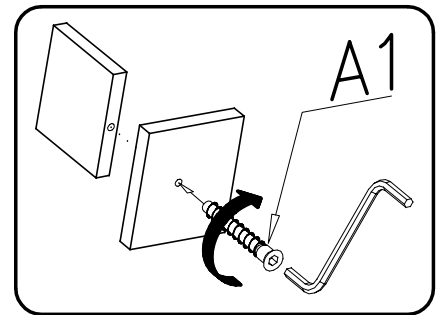
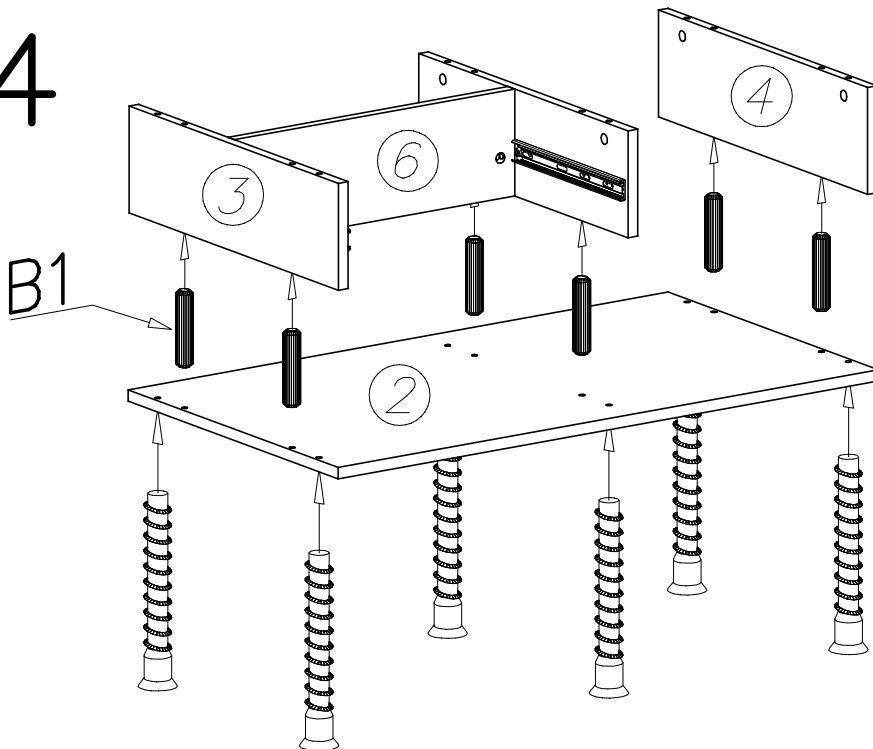
2



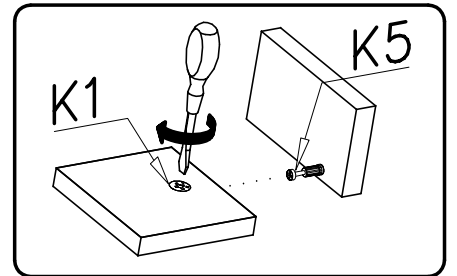
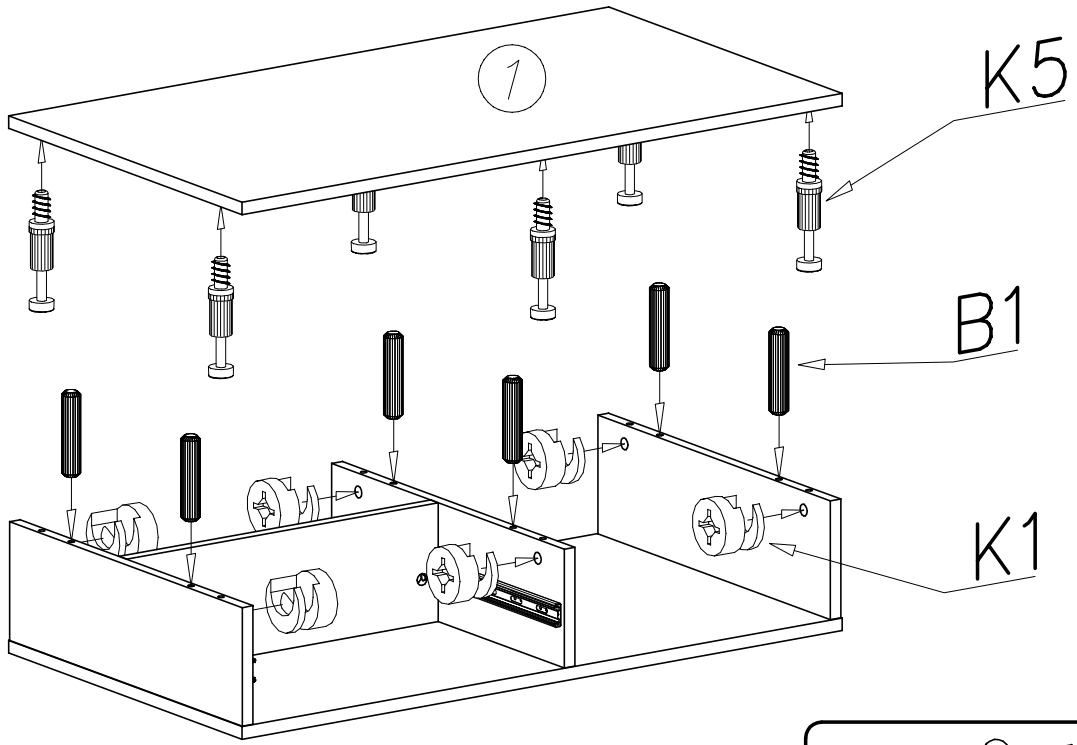
3



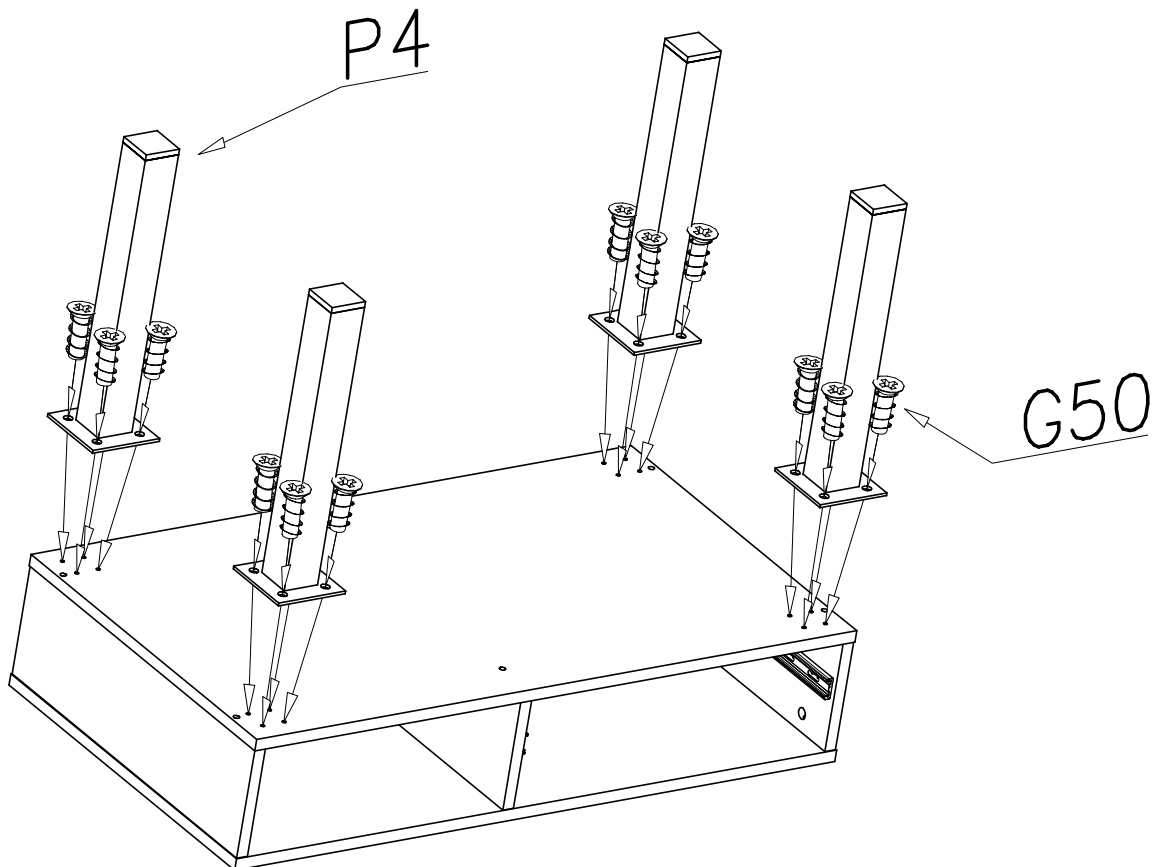
4



5



6



7

