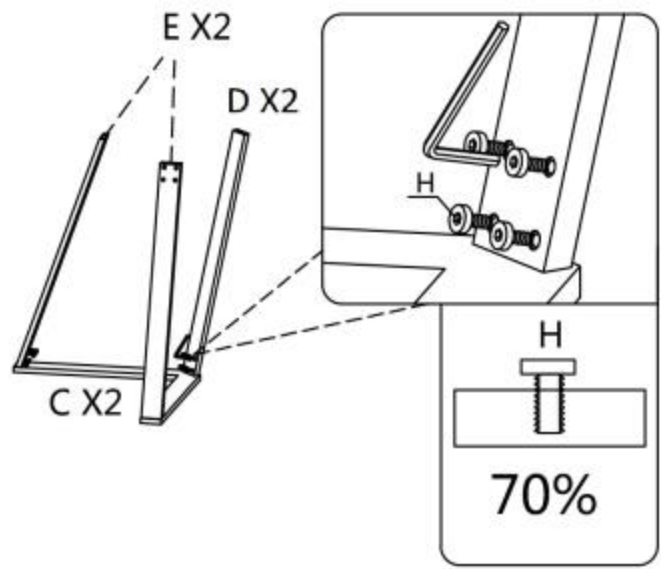
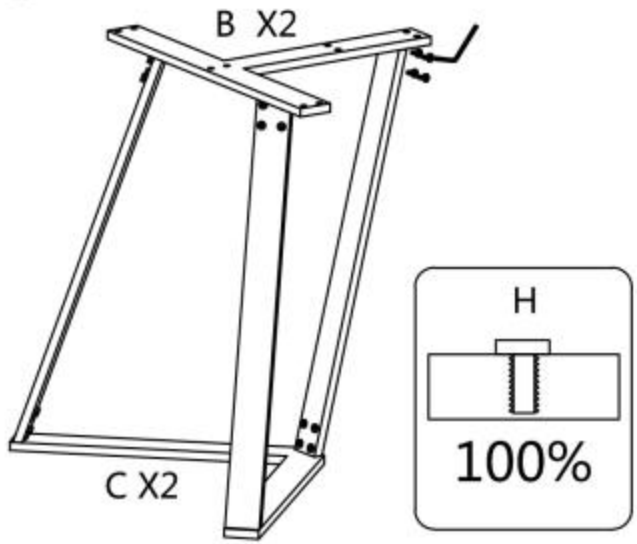


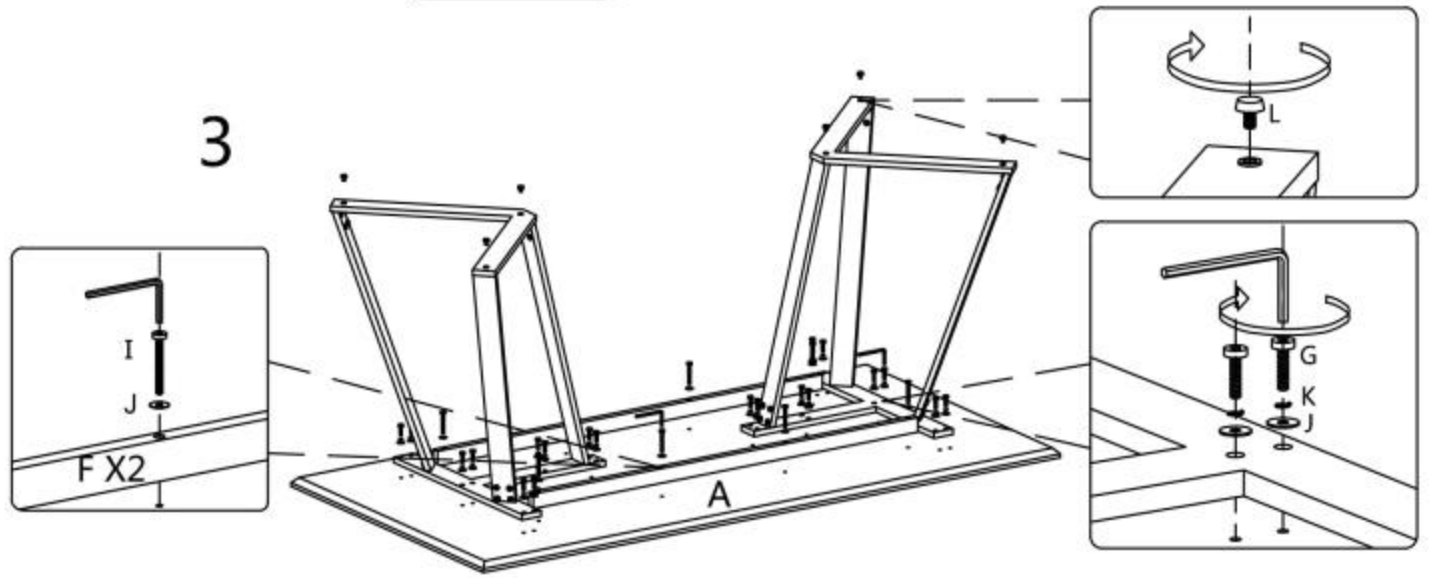
1



2



3



A		1
B		2
C		2
D	 15°60°711	2
E	 15°60°732	4
F	 20°40°1200	2
G	 M6*30	20
H	 M6*13	48
I	 M6*55	8
J	 ∅6*16	28
K	 6#	28
L	 M6	6

