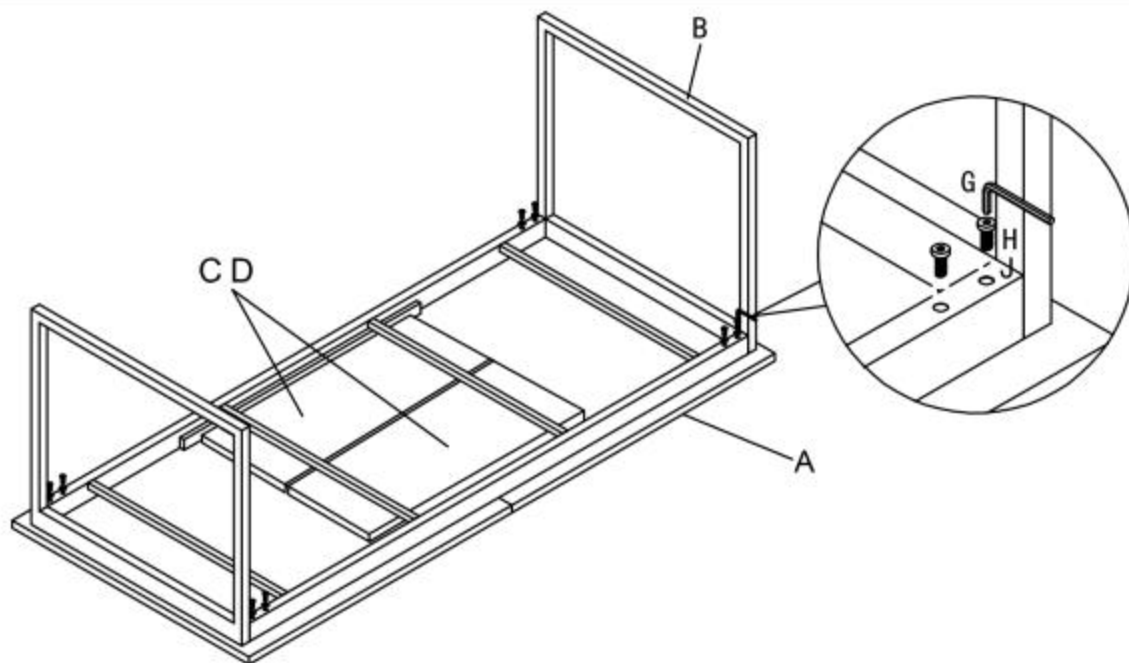
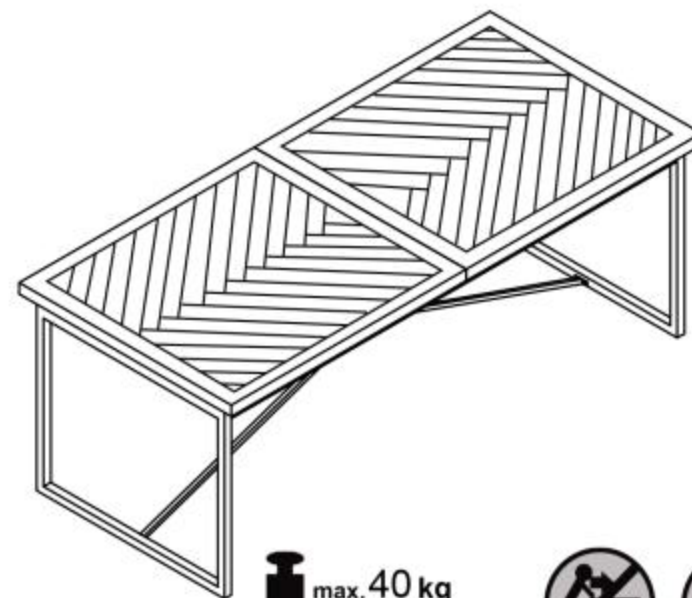
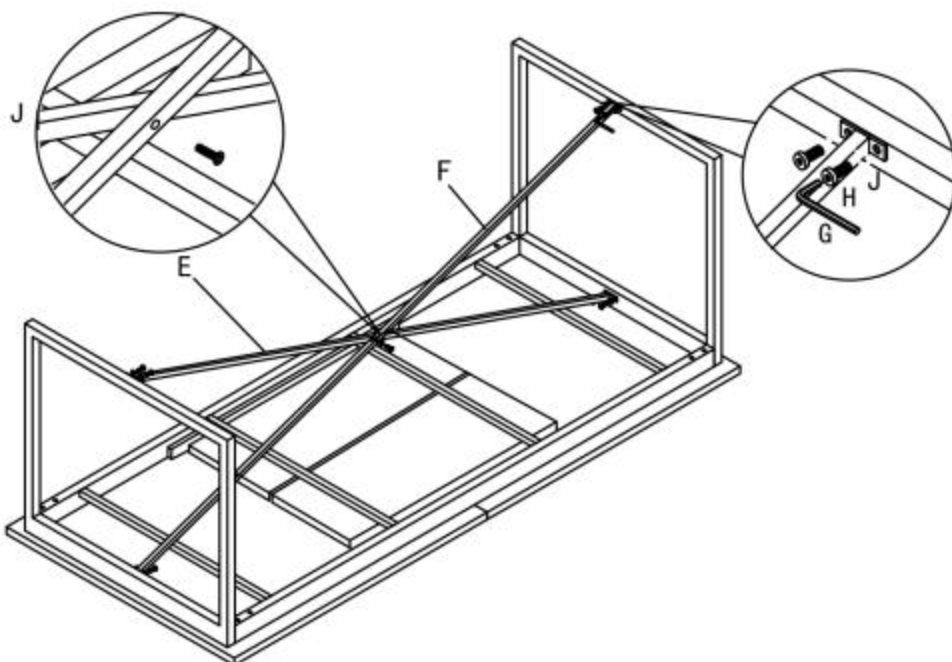


1

A	x1	B	x2	C	x2	D	x1	E	x1	F	x16

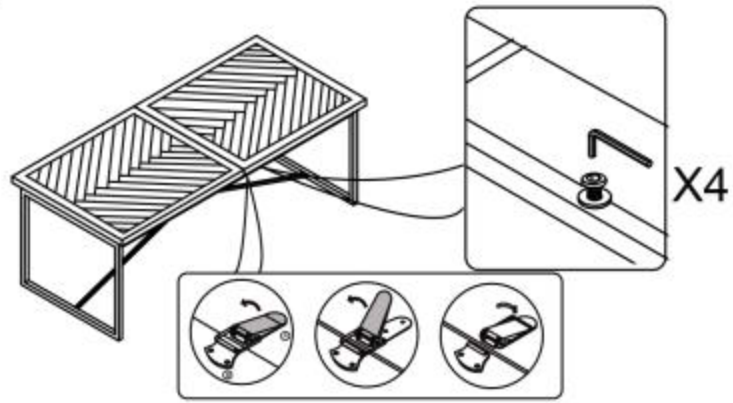
G	x1

2

max. 40 kg



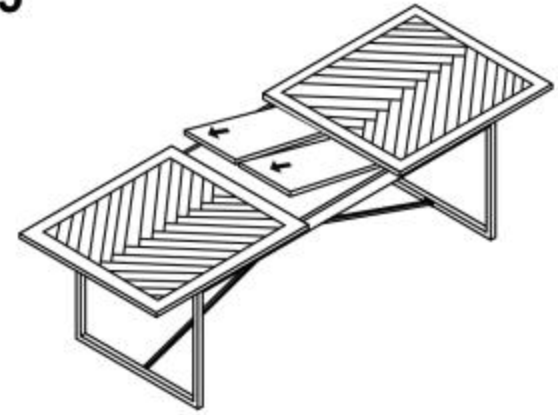
3



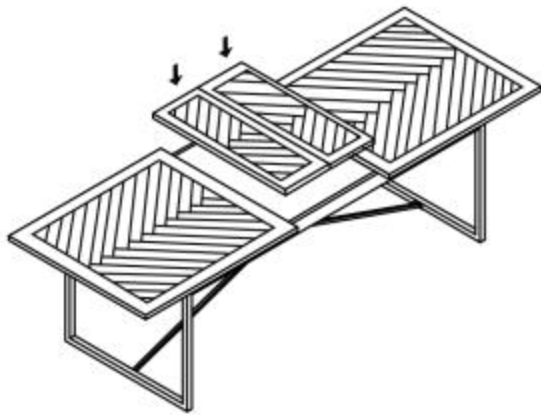
4



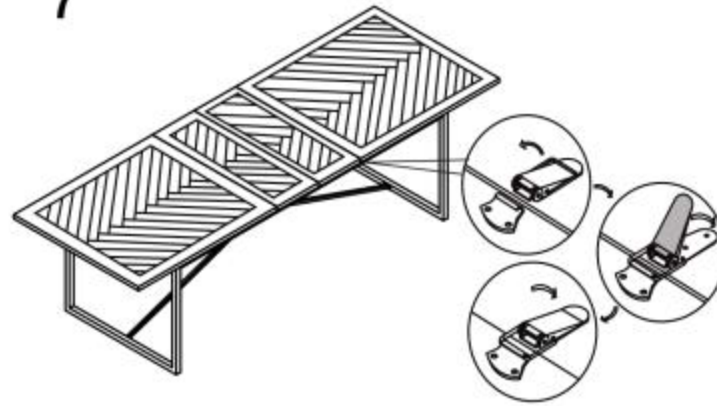
5



6



7



a



b



c

