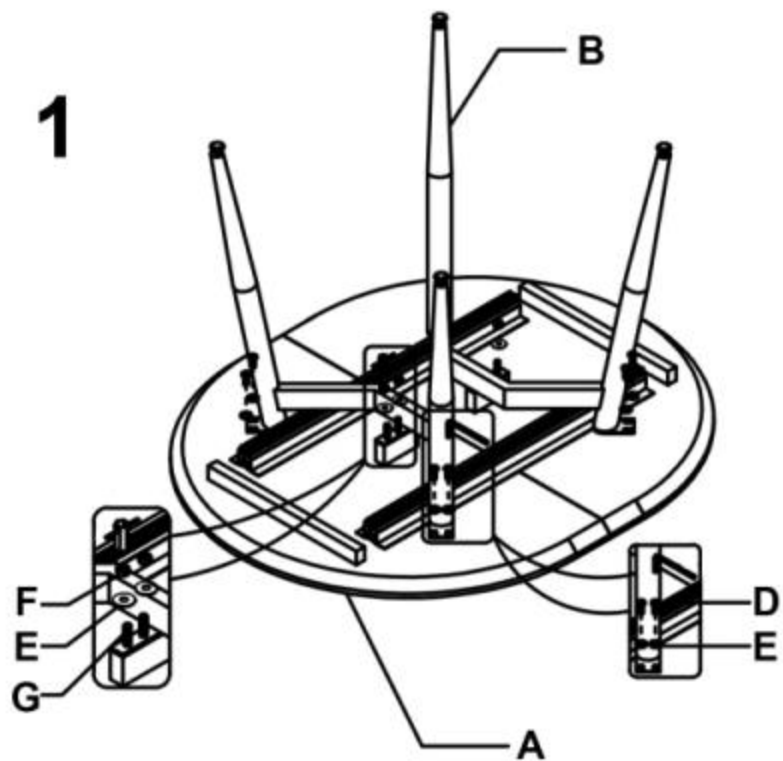
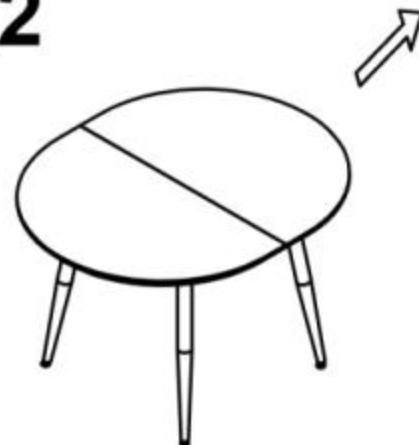


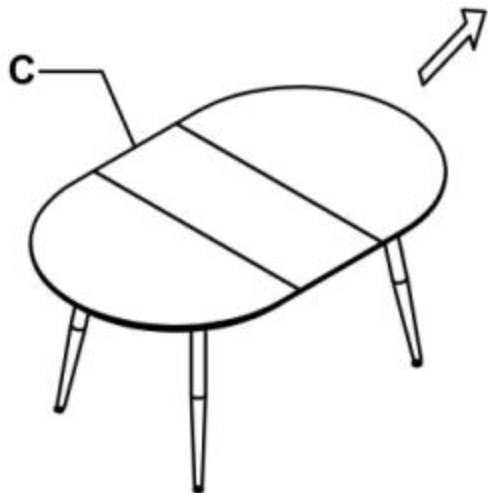
1



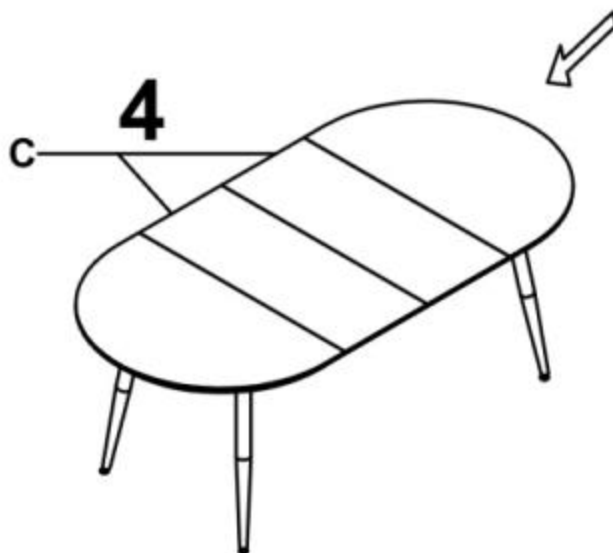
2



3



4



A		1
B		2
C		2
D		8
E		12
F		4
G		4

max. 40 kg

