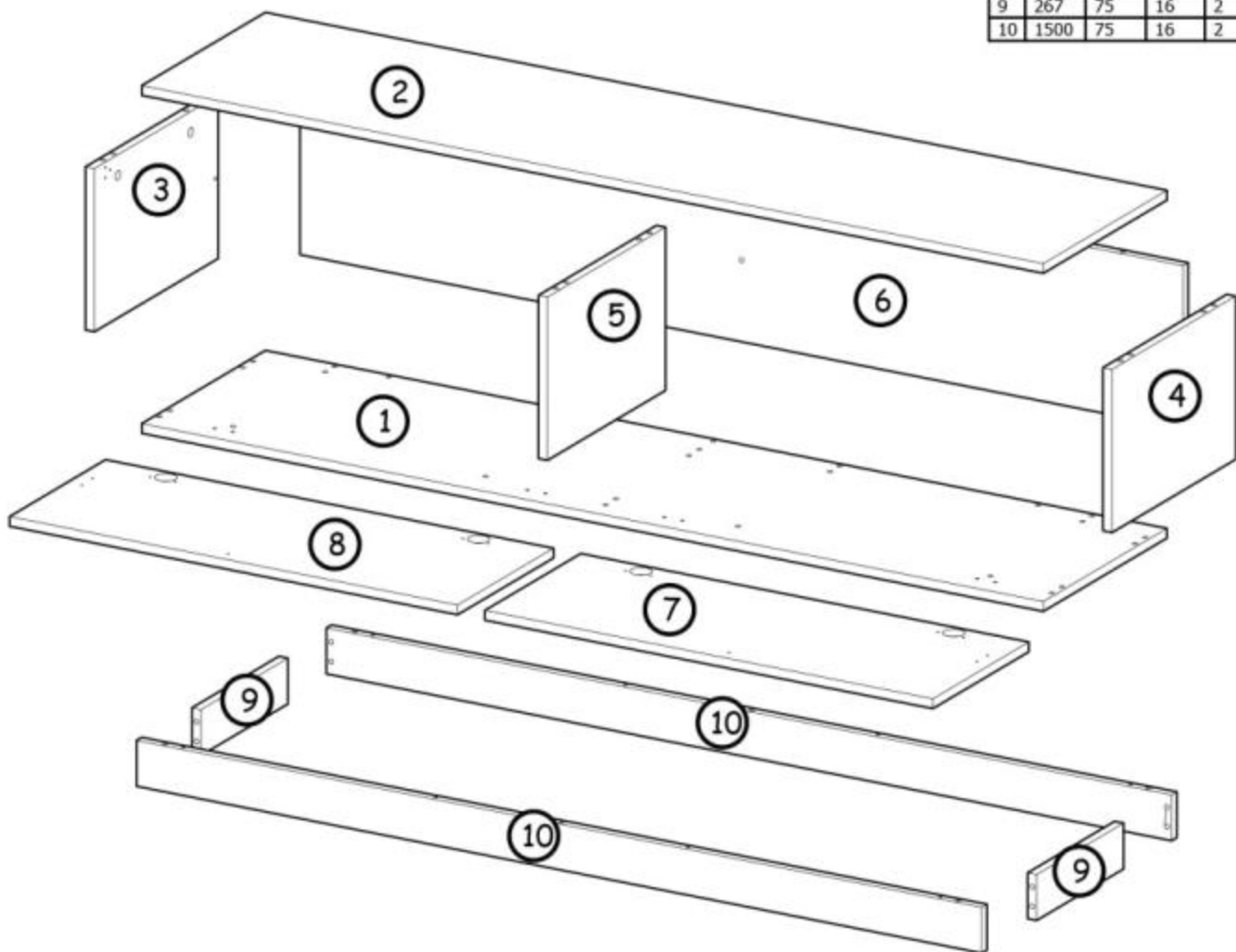













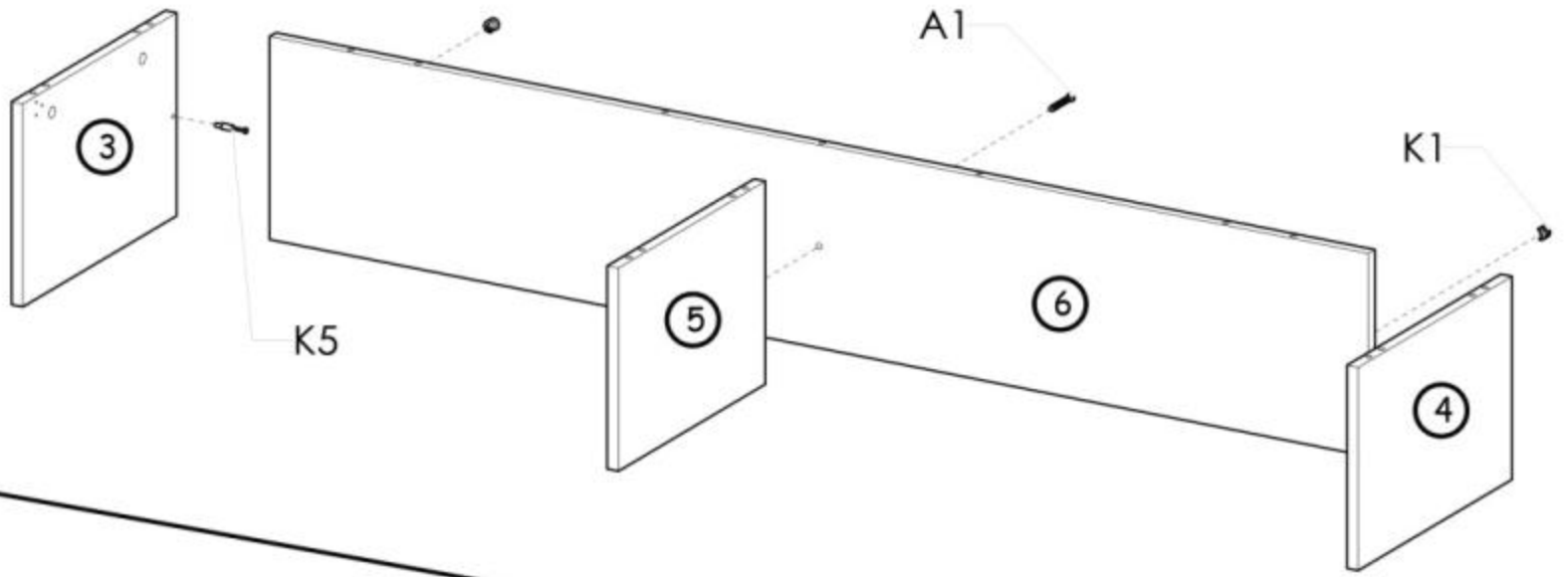


Nr	Xmm	Ymm	Zmm	Szt.
1	1600	380	16	1
2	1600	380	16	1
3	267	380	16	1
4	267	380	16	1
5	267	363	16	1
6	1567	267	16	1
7	795	295	16	1
8	795	295	16	1
9	267	75	16	2
10	1500	75	16	2

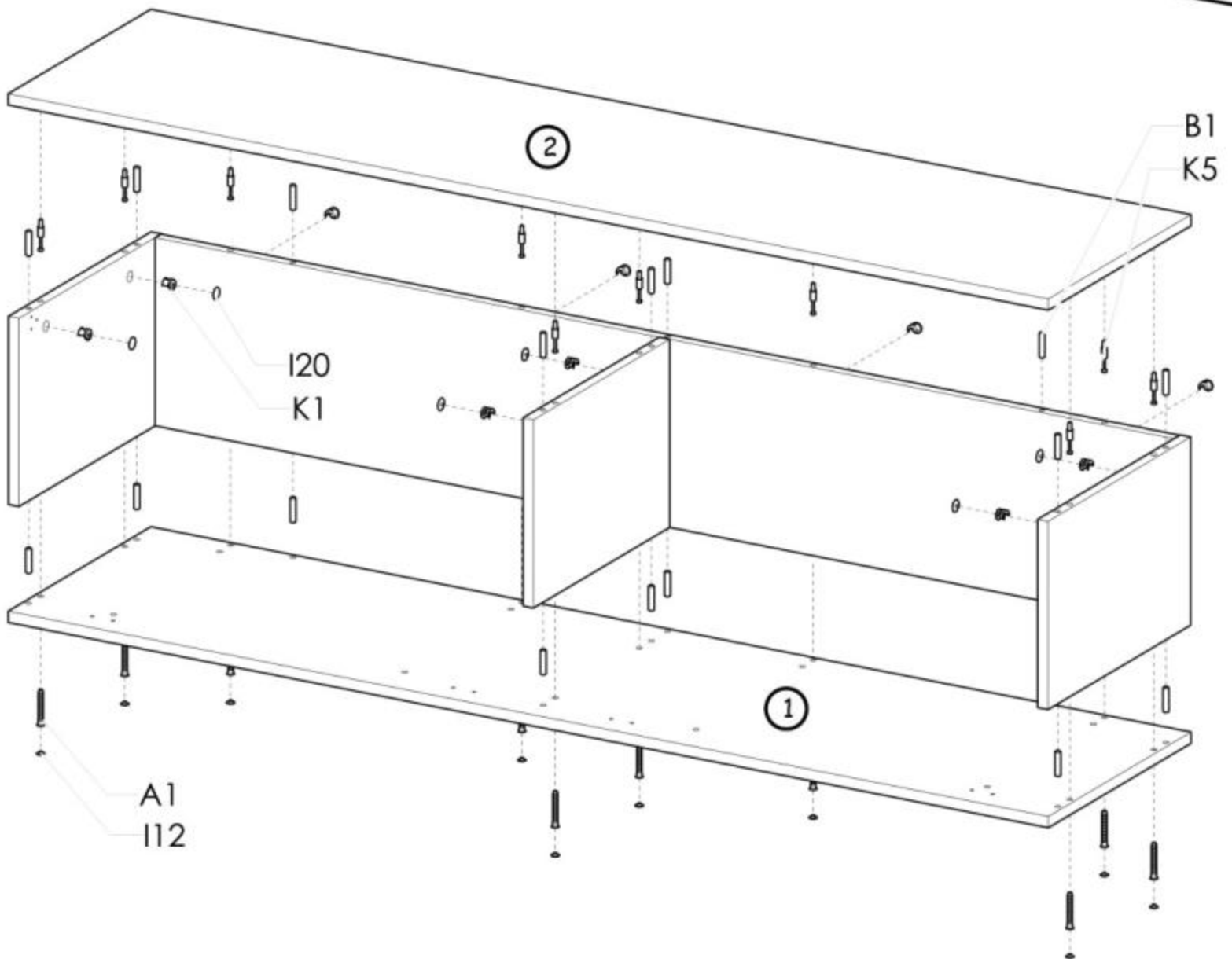


<b>B1</b> 32 x Ø8x35 	<b>A1</b> 19 x Ø7x50 	<b>I12</b> 18 x Ø4/Ø10 	<b>P5</b> 6 x 	<b>L10</b> 2 x 	<b>L9</b> 2 x 
<b>W2</b> 1 x 4mm 	<b>I20</b> 6 x Ø4/Ø17 	<b>G34</b> 8 x 3,5x16 	<b>C3</b> 4 x KLIK 	<b>D3</b> 4 x KLIK 	<b>K5</b> 12 x 34mm 
<b>K1</b> 12 x Ø15x12 					

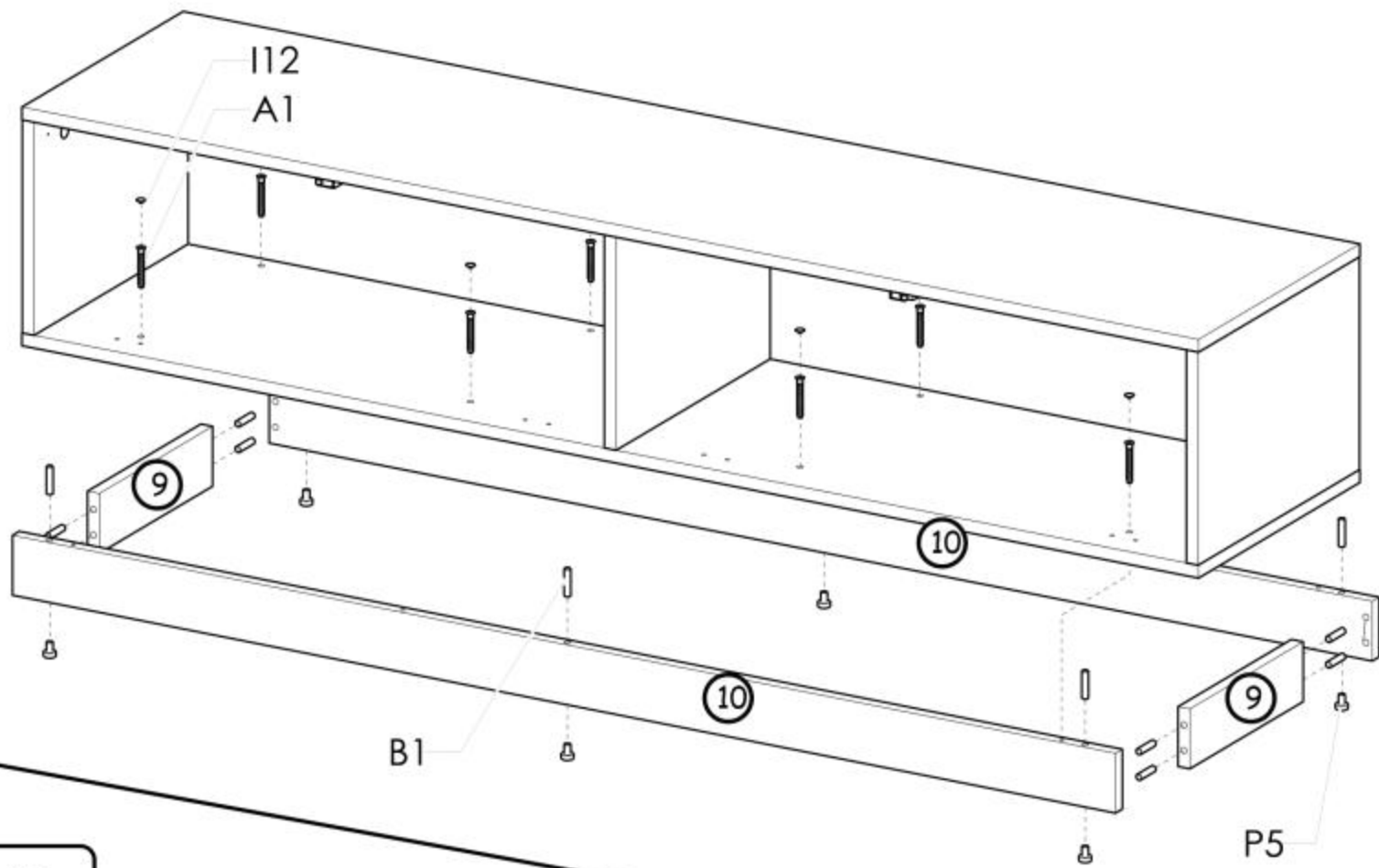
I



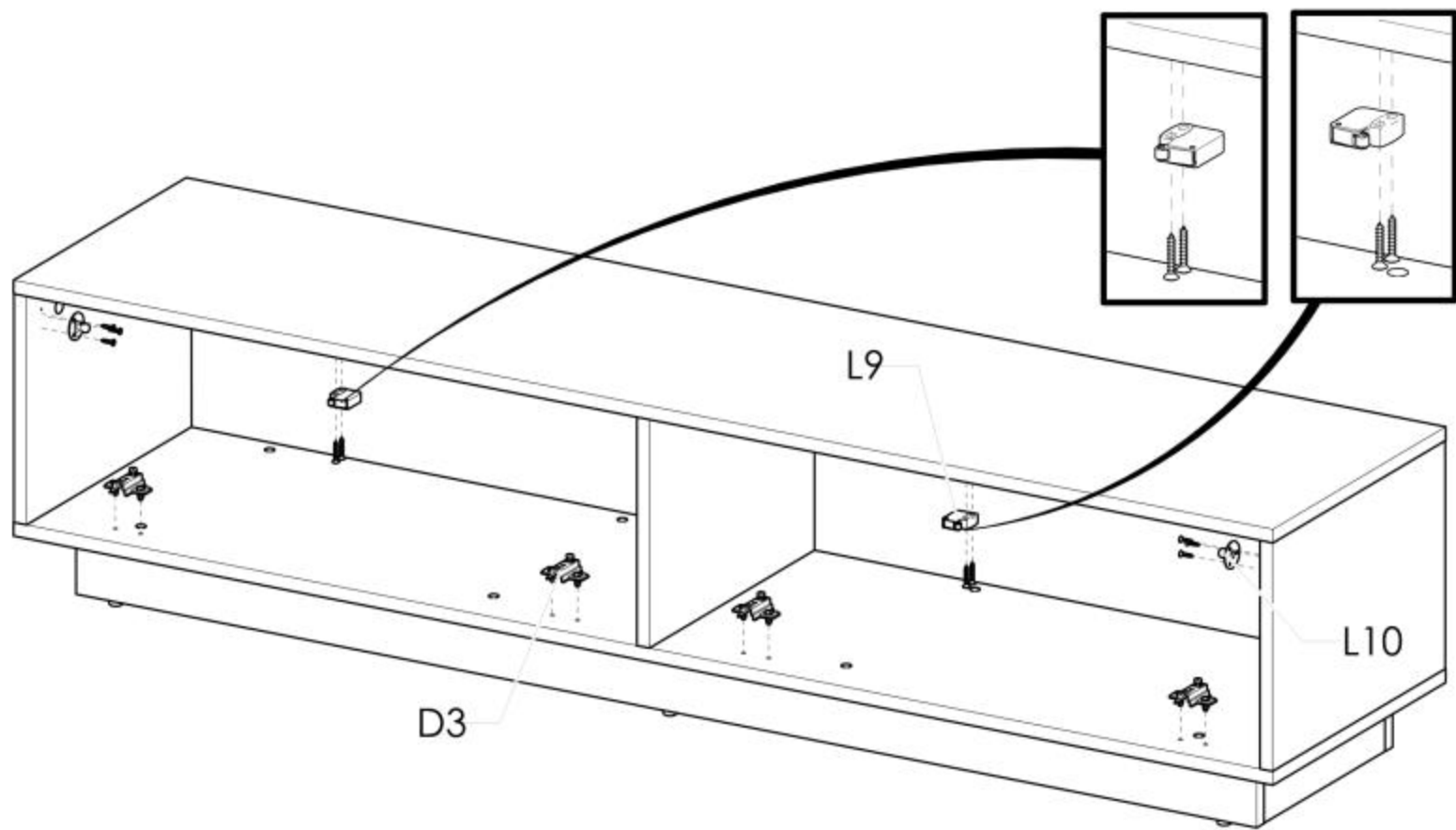
II



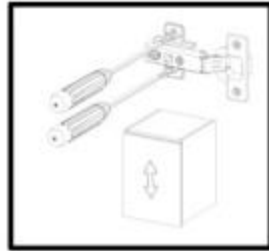
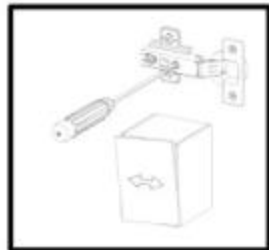
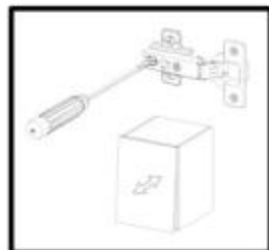
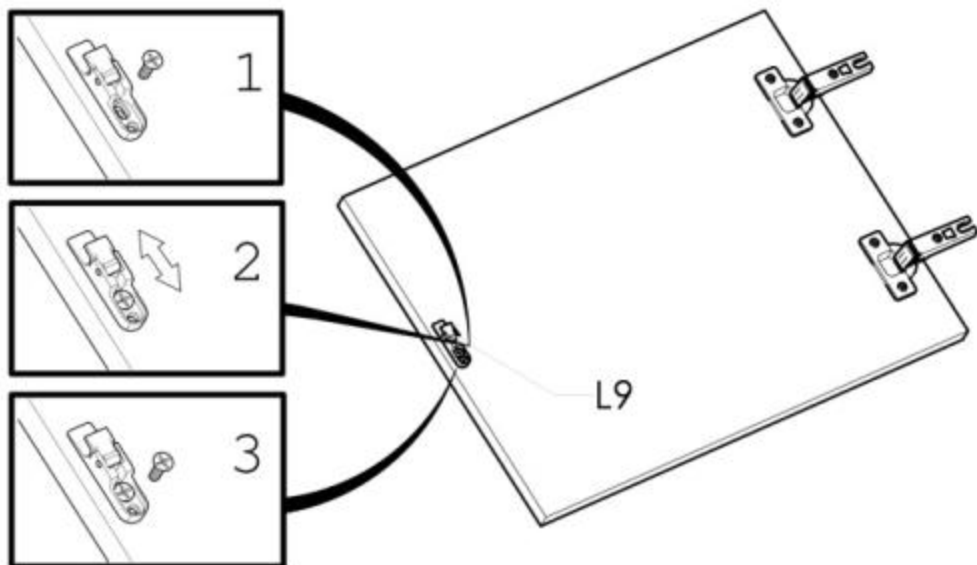
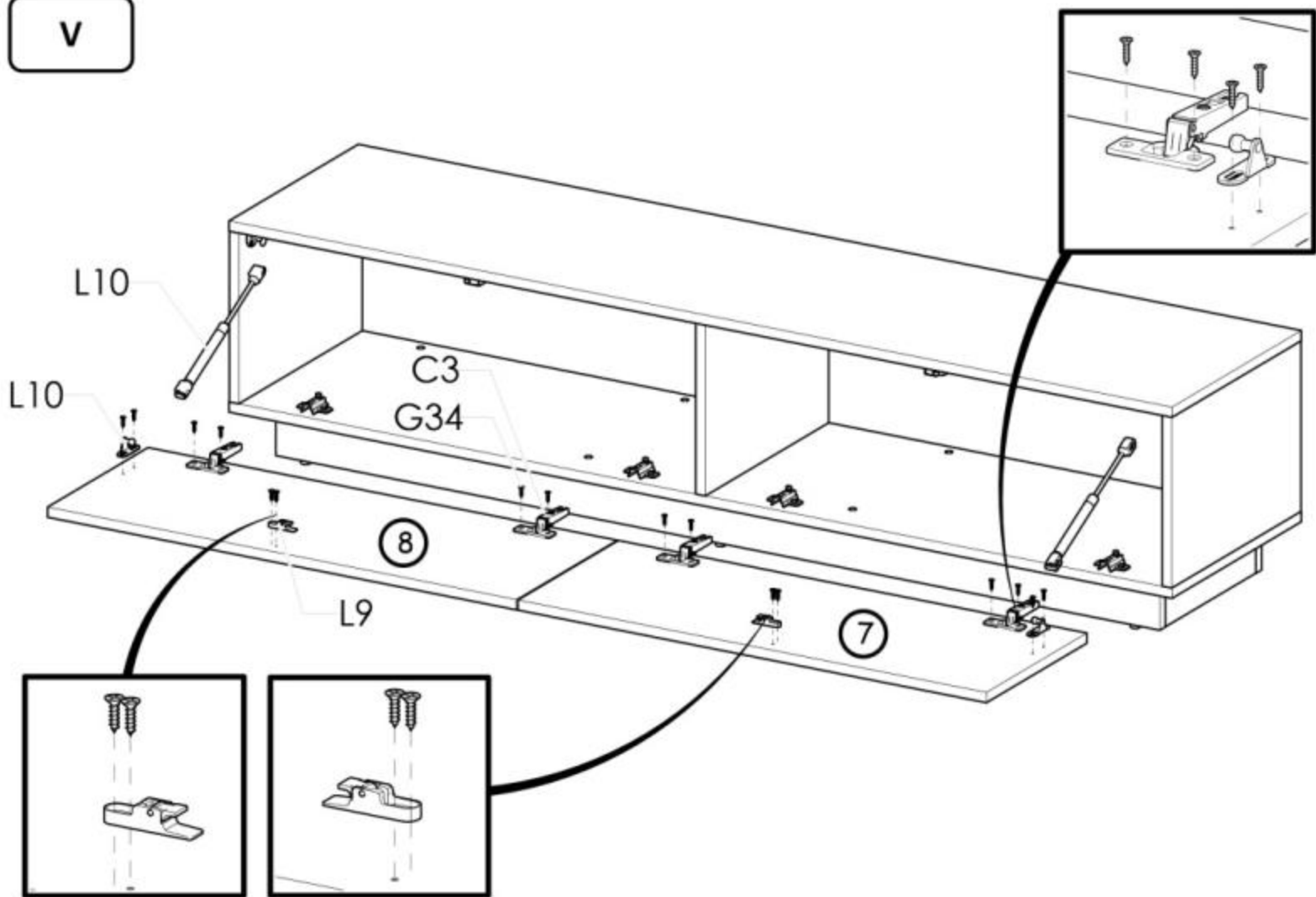
III



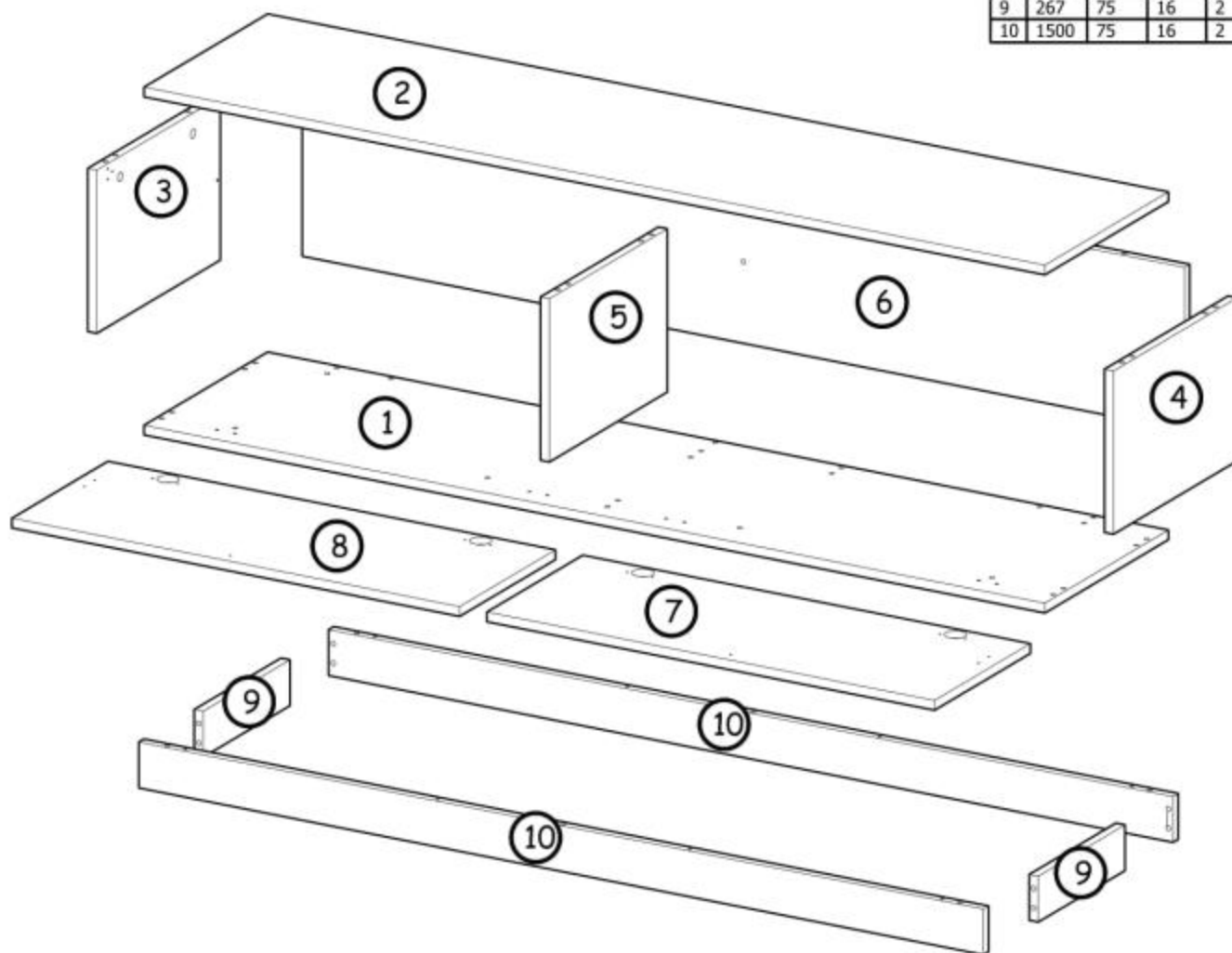
IV
















V



Nr	Xmm	Ymm	Zmm	Szt.
1	1600	380	16	1
2	1600	380	16	1
3	267	380	16	1
4	267	380	16	1
5	267	363	16	1
6	1567	267	16	1
7	795	295	16	1
8	795	295	16	1
9	267	75	16	2
10	1500	75	16	2



<b>B1</b>  32 x Ø8x35	<b>A1</b>  19 x Ø7x50	<b>I12</b>  18 x Ø4/Ø10	<b>P5</b>  6 x	<b>L10</b>  2 x	<b>L9</b>  2 x
<b>W2</b>  1 x 4mm	<b>I20</b>  6 x Ø4/Ø17	<b>G34</b>  8 x 3,5x16	<b>C3</b>  4 x KLIK	<b>D3</b>  4 x KLIK	<b>K5</b>  12 x 34mm
<b>K1</b>  12 x Ø15x12					

