



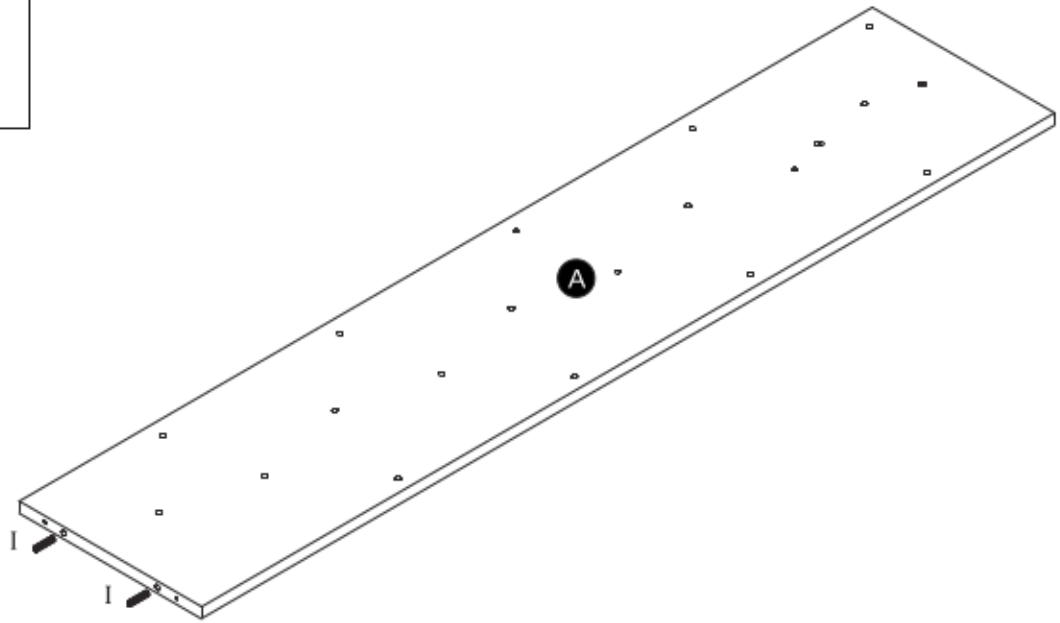
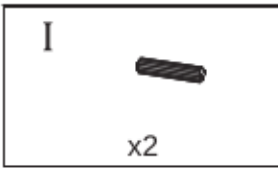
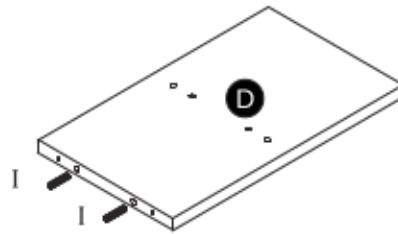
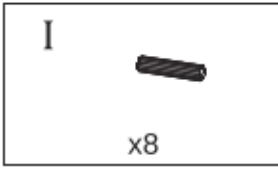


<p>I</p>  <p>∅8x35mm x18</p>	<p>N</p>  <p>x38</p>	<p>J</p>  <p>x4</p>	<p>K1</p>  <p>x1</p>
---	---	--	---

1

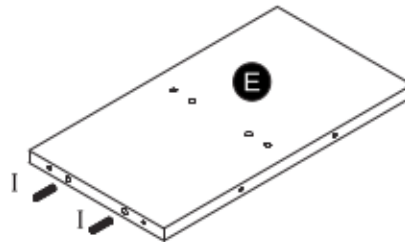
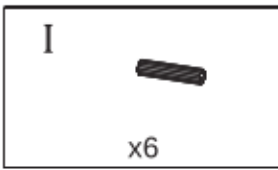


2



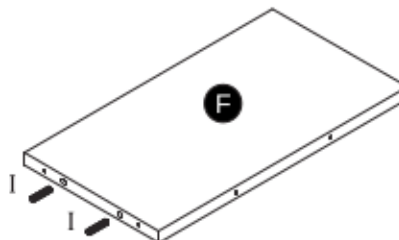
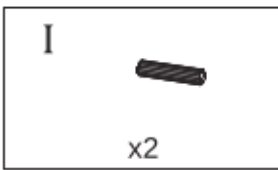
x4

3

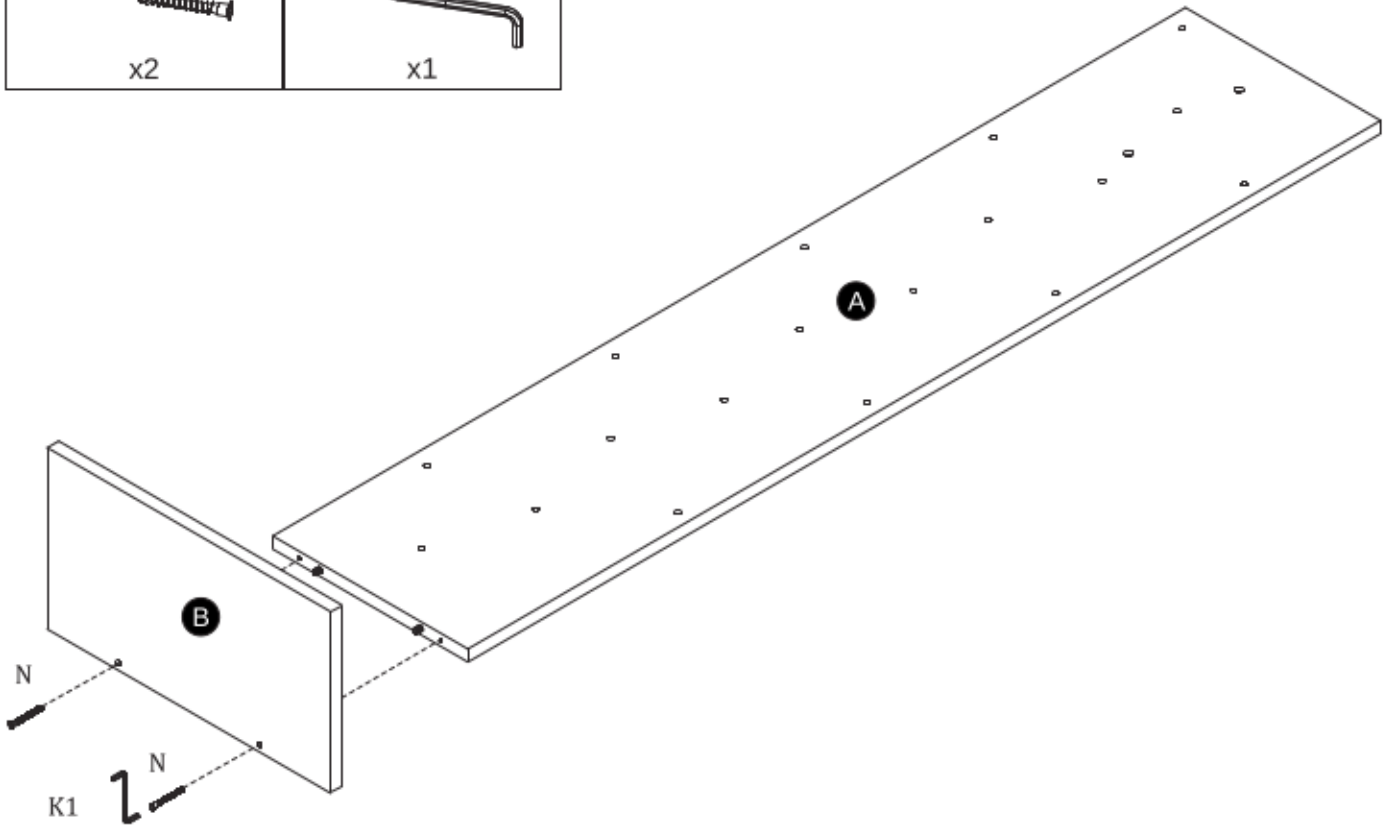
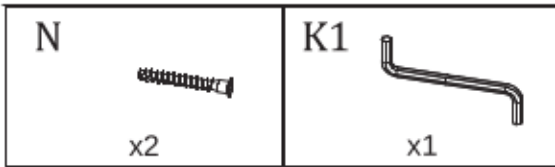


x3

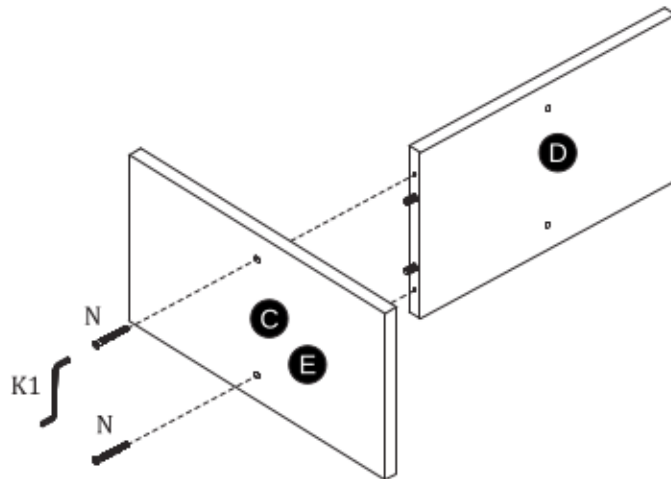
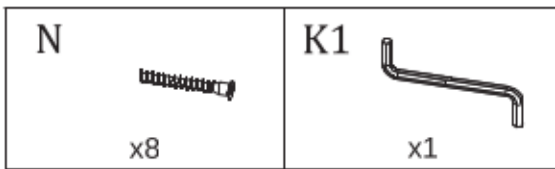
4



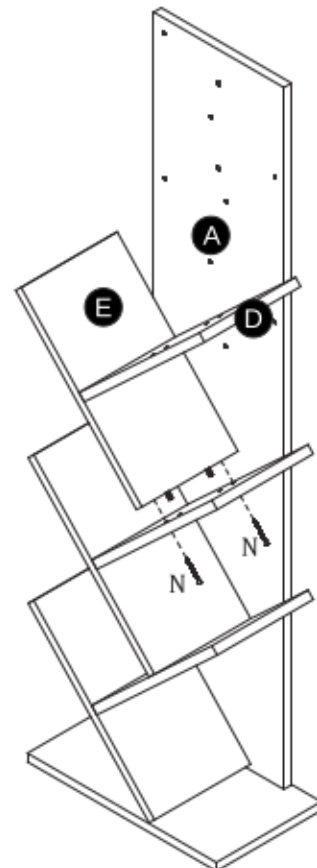
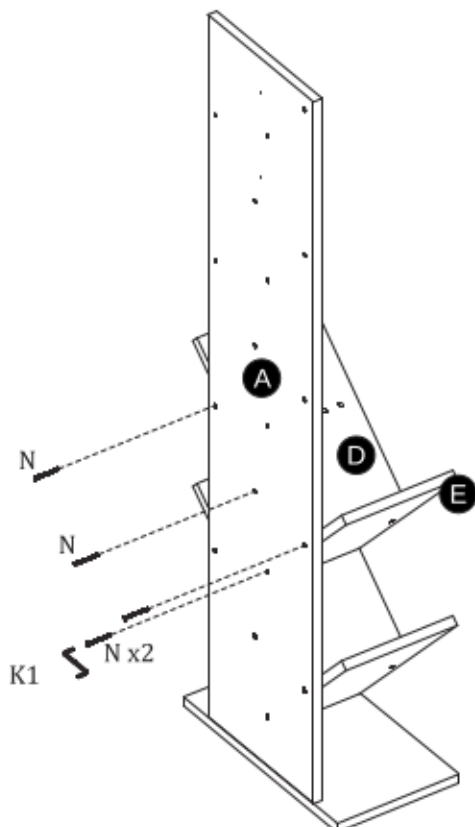
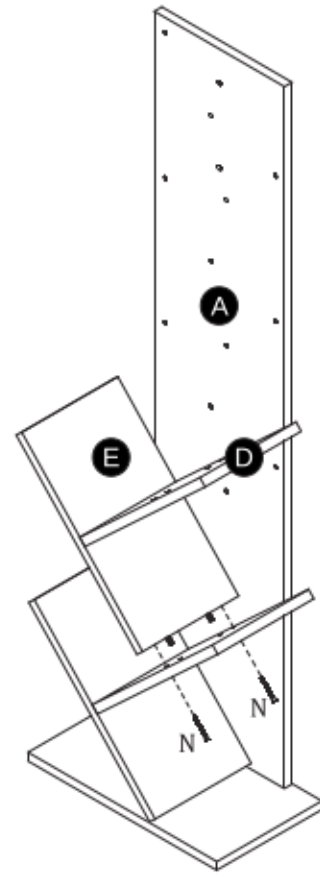
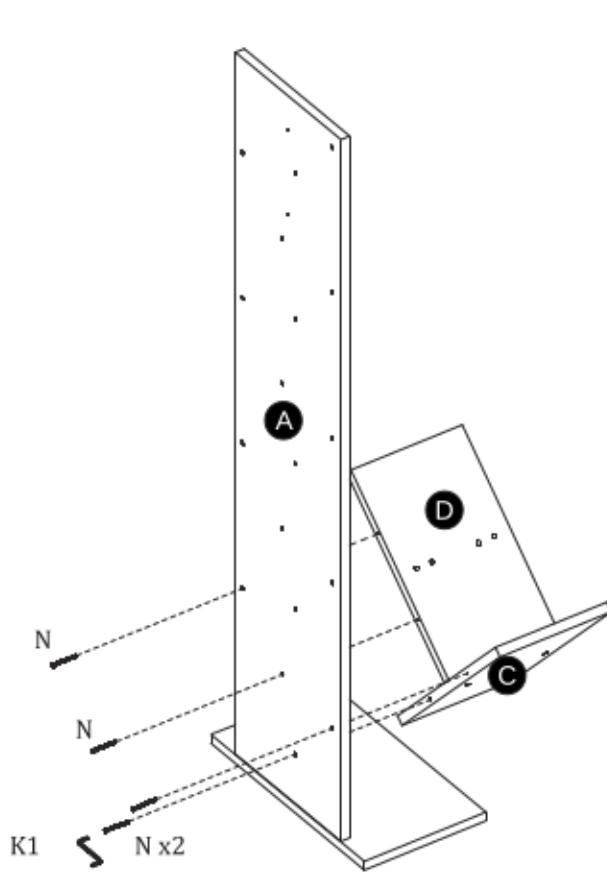
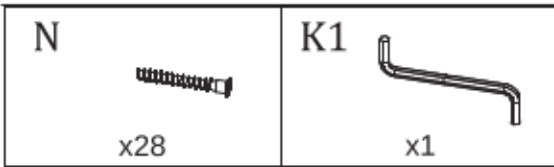
5

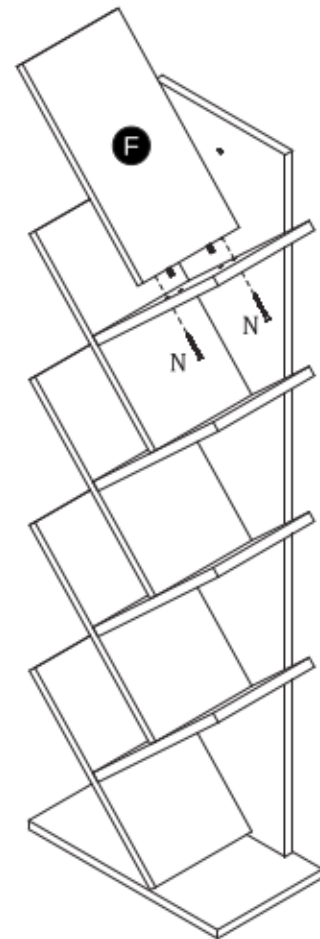
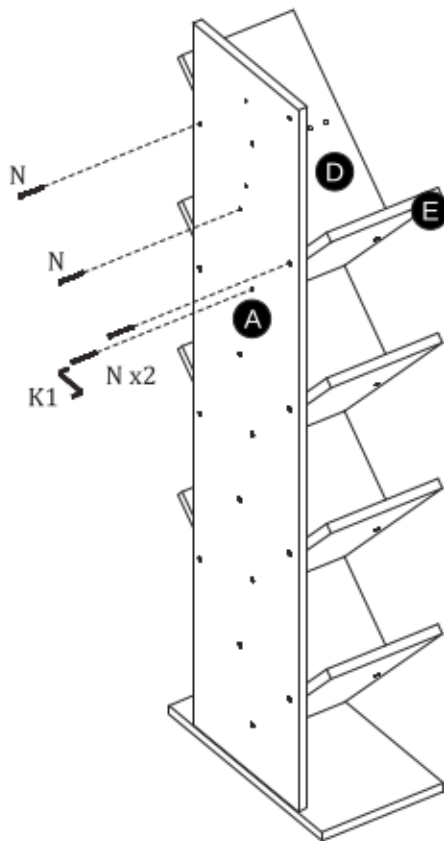
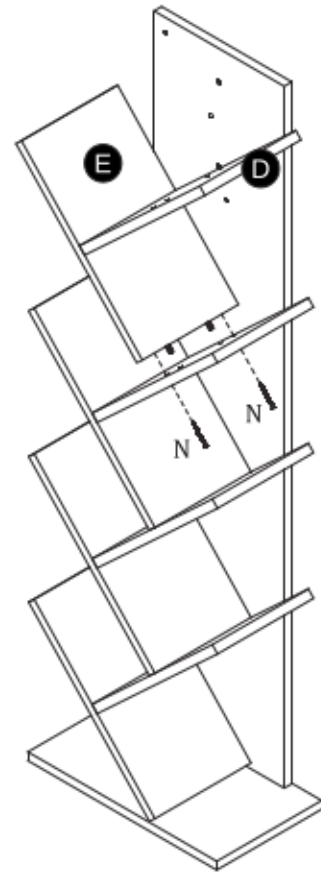
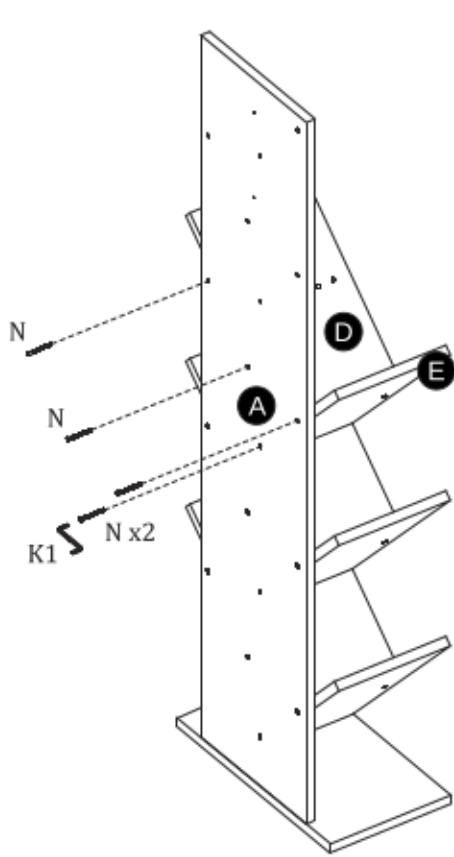


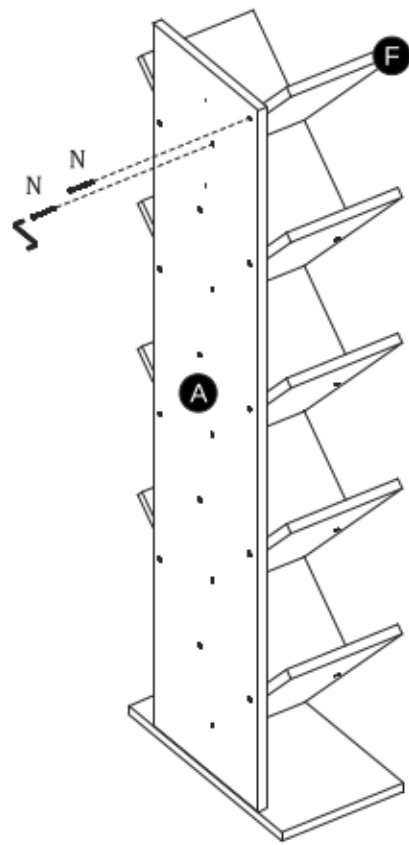
6



x4







8

