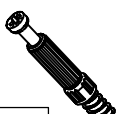



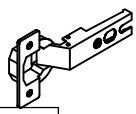
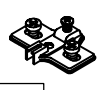



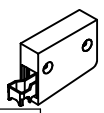


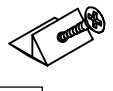

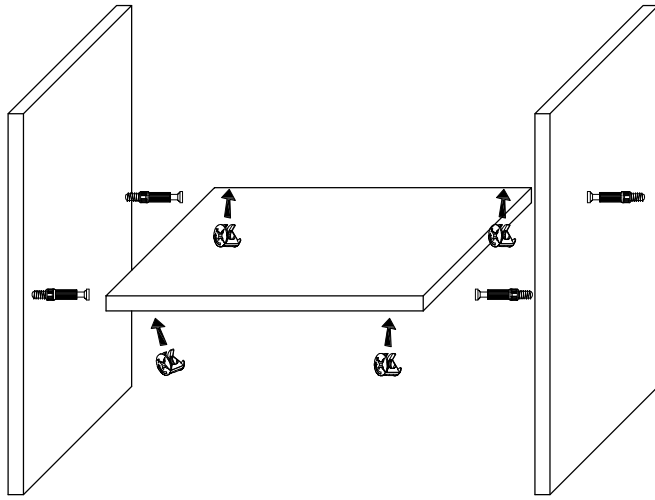
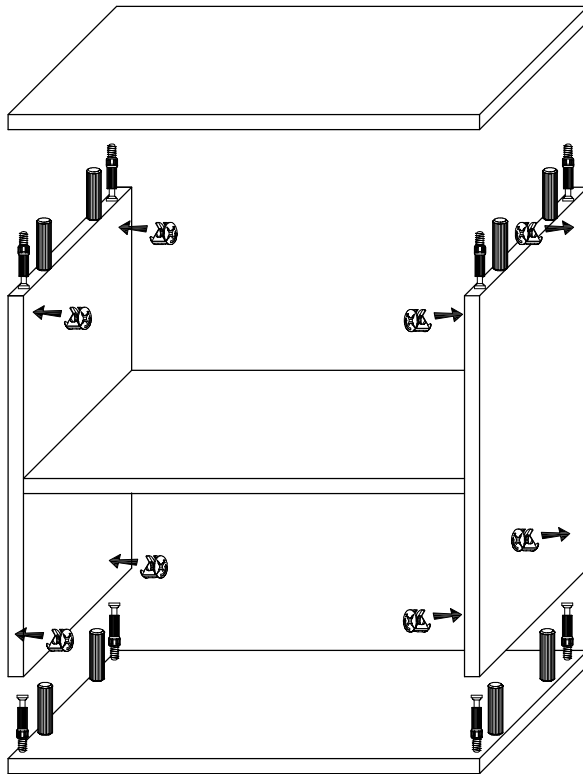


| | | | | | | | | |
|---|---|---|---|---|---|---|---|---|
|  |  |  |  |  |  |  |  |  |
| TM | MM | ZM | 8x30 | ZR | PZ | W4x16 | ODB | W3x16 |
| 14 | 14 | 14 | 10 | 2 | 2 | 4 | 1 | 2 |
|  |  |  |  |  | | | | |
| ZA | W4x30 | K10x50 | STB | KLEJ | | | | |
| 2 | 4 | 4 | 6 | 1 | | | | |

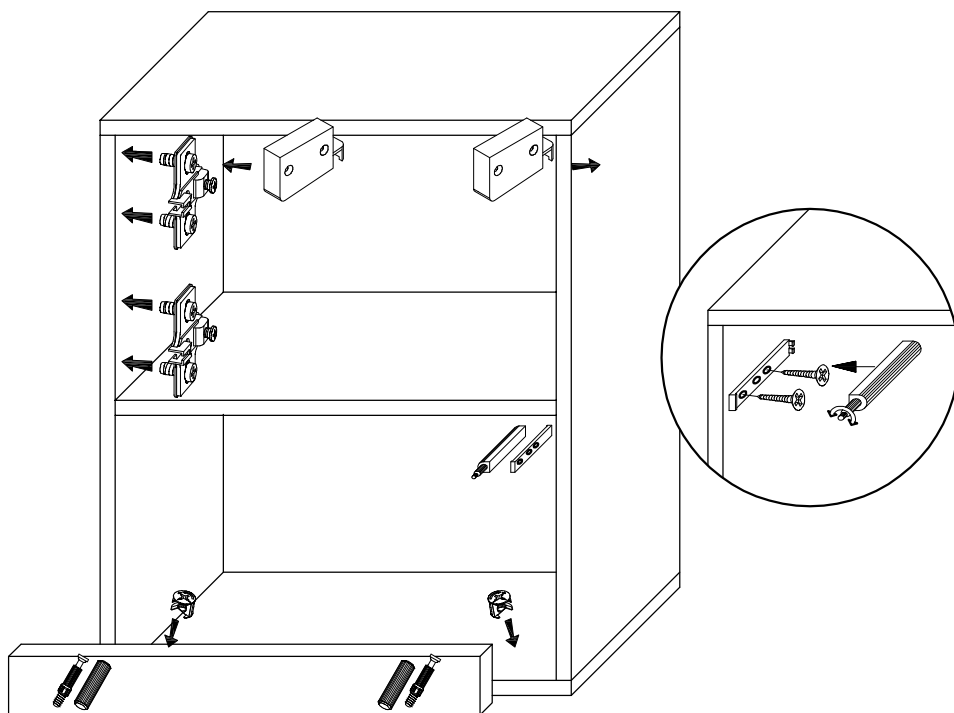
1



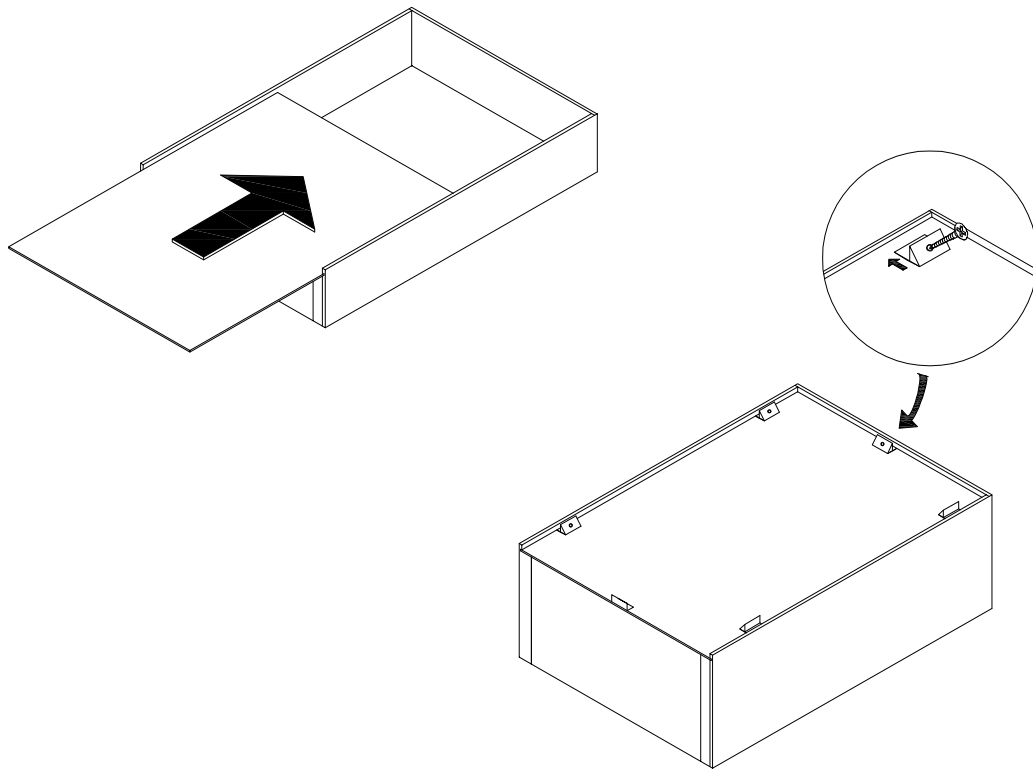
2



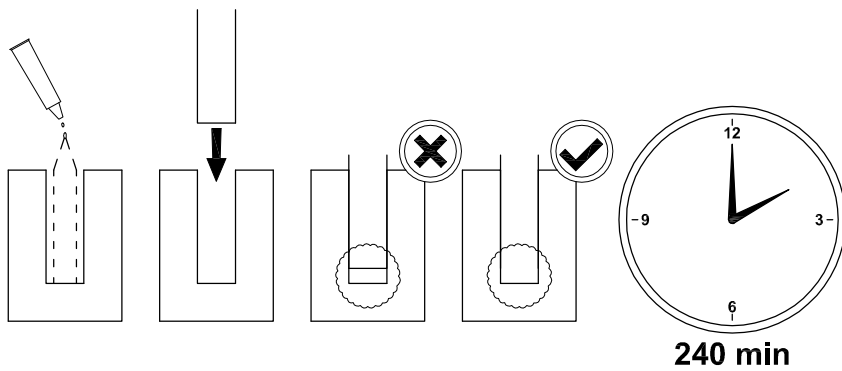
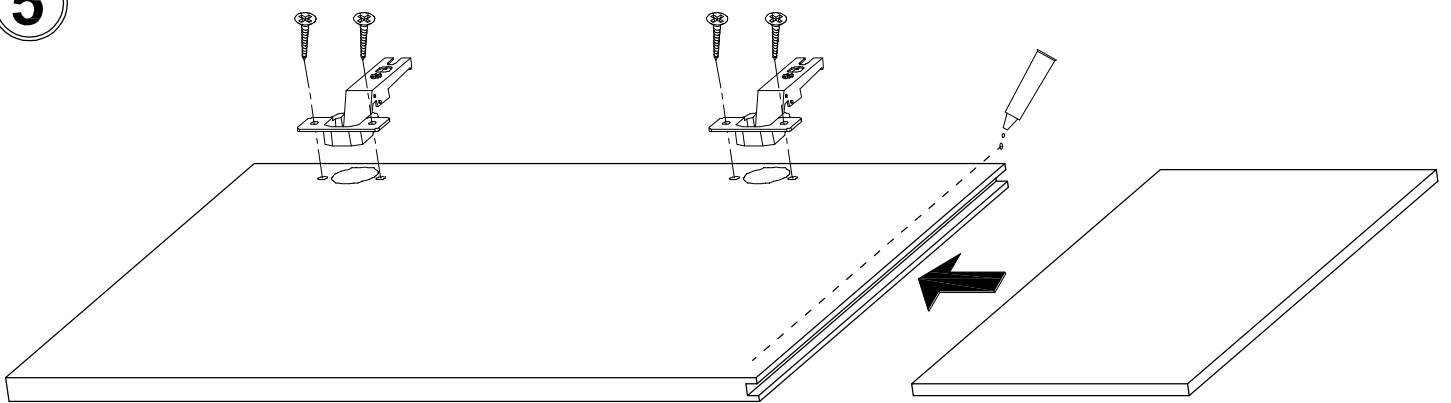
3



4



5



240 min