




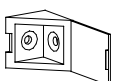



<b>P7</b>  x5	<b>G4</b>  4x16 x12
--	---


<b>B1</b>  ø8x35 x24
--


<b>K1</b>  ø15x12 x17
---

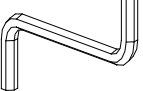
<b>I8</b>  ø20 x9
---

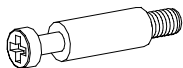
<b>F4</b>  x4
--

<b>C3+D3</b>  Z35PR 2x
--

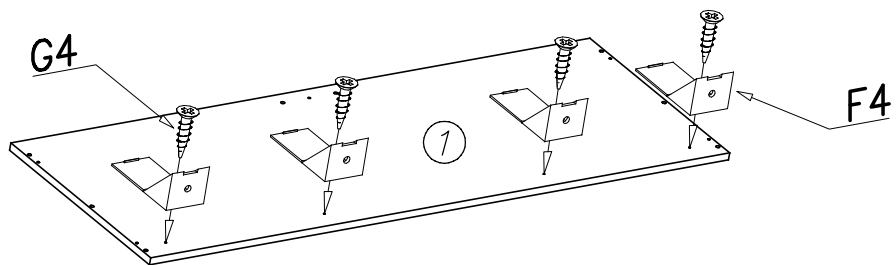
<b>A1</b>  ø7x50 x8
---

<b>W4</b>  x30
---

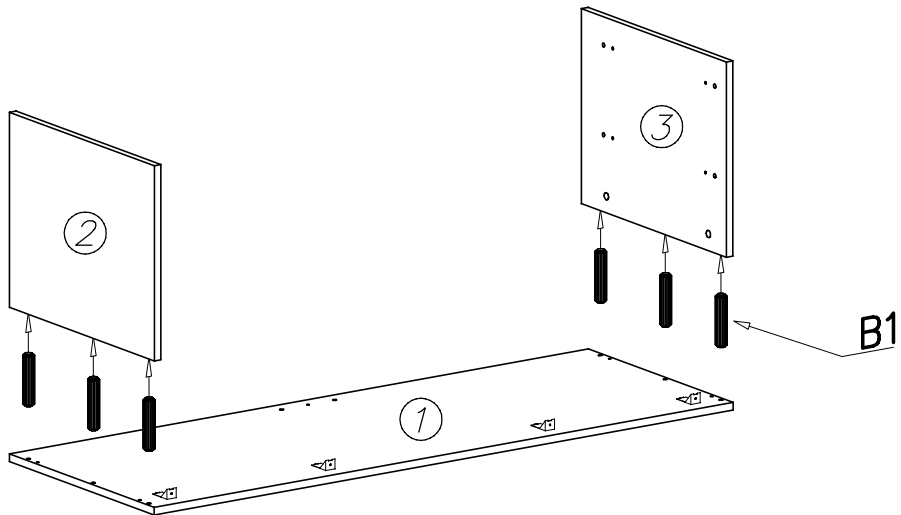
<b>W2</b>  4mm x1
---

<b>K5</b>  x17
---

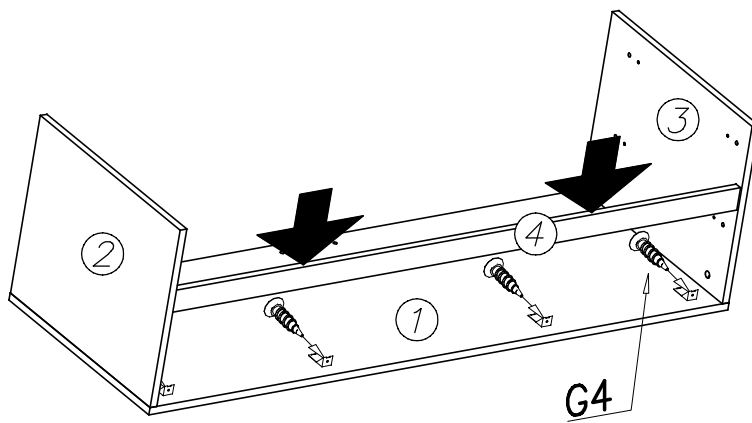
①



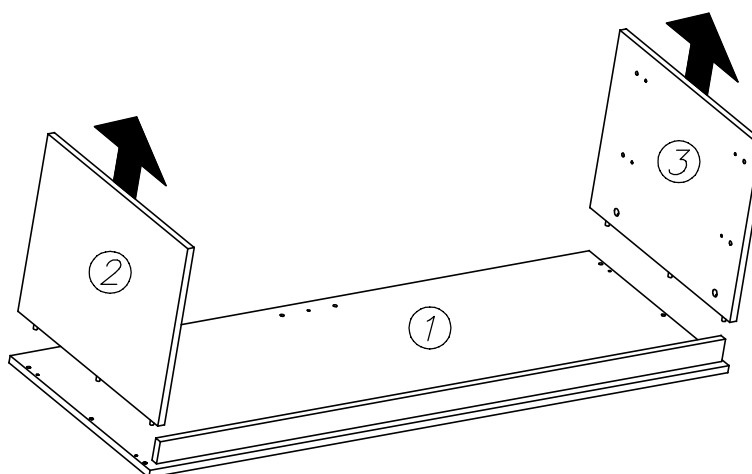
②



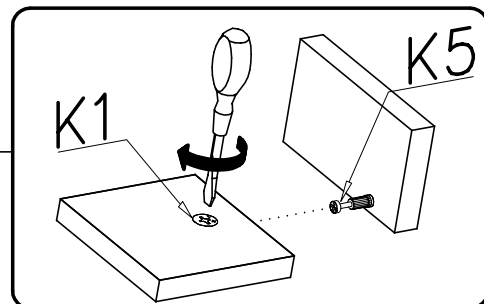
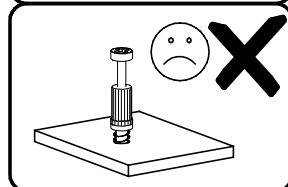
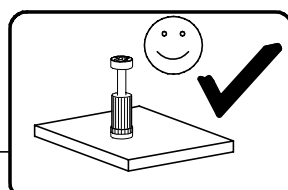
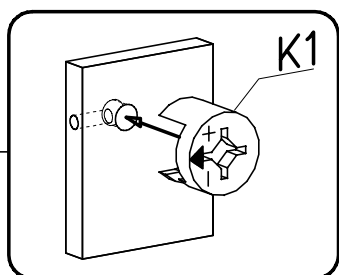
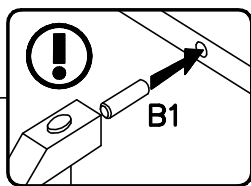
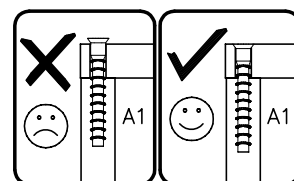
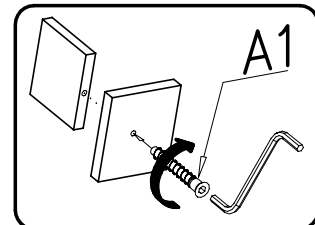
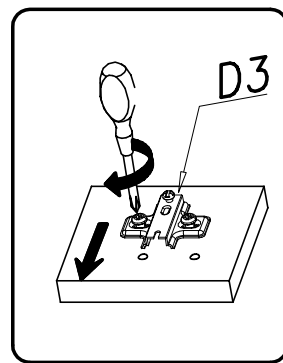
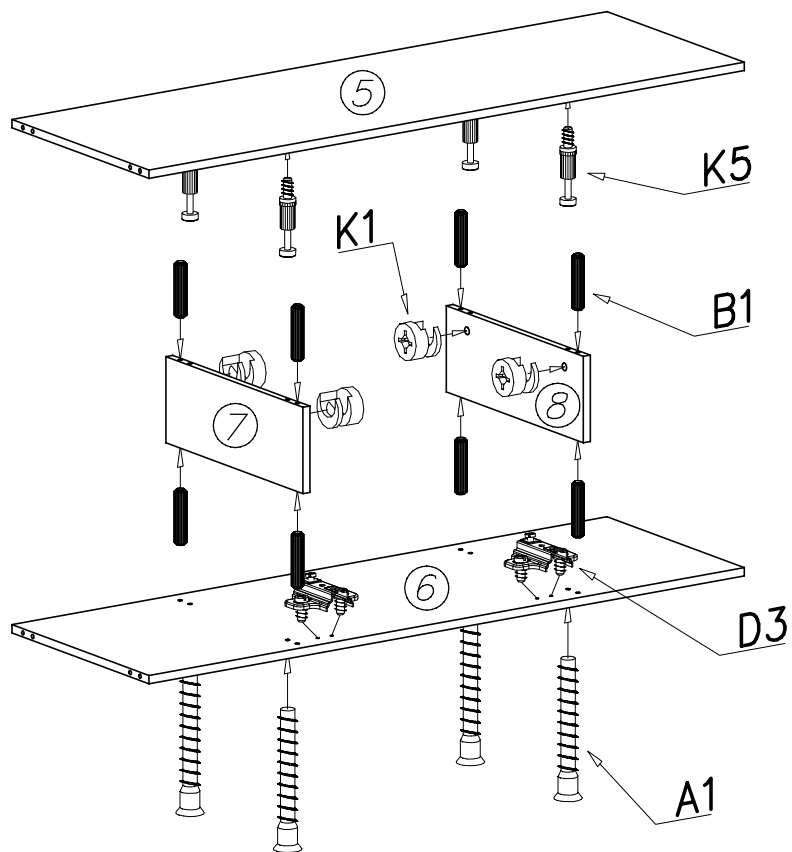
③



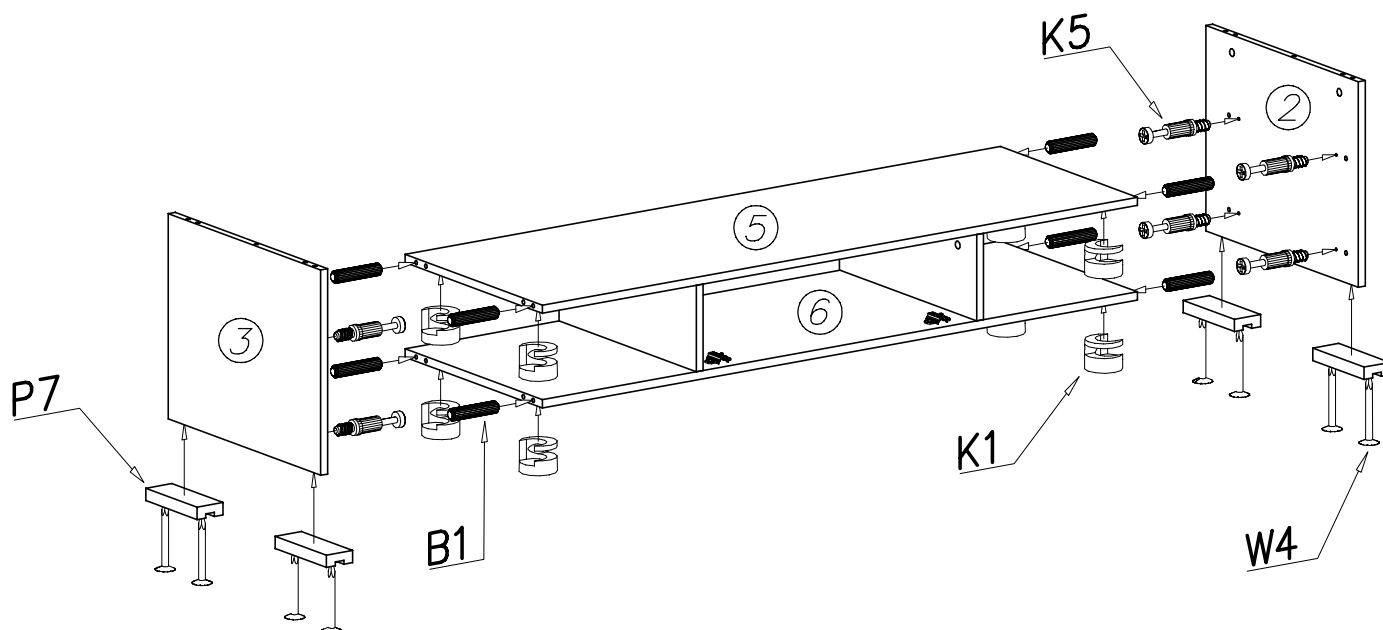
④



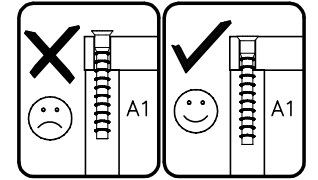
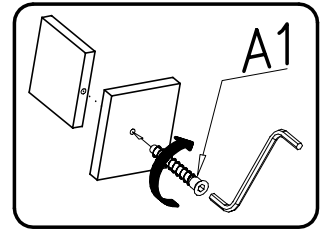
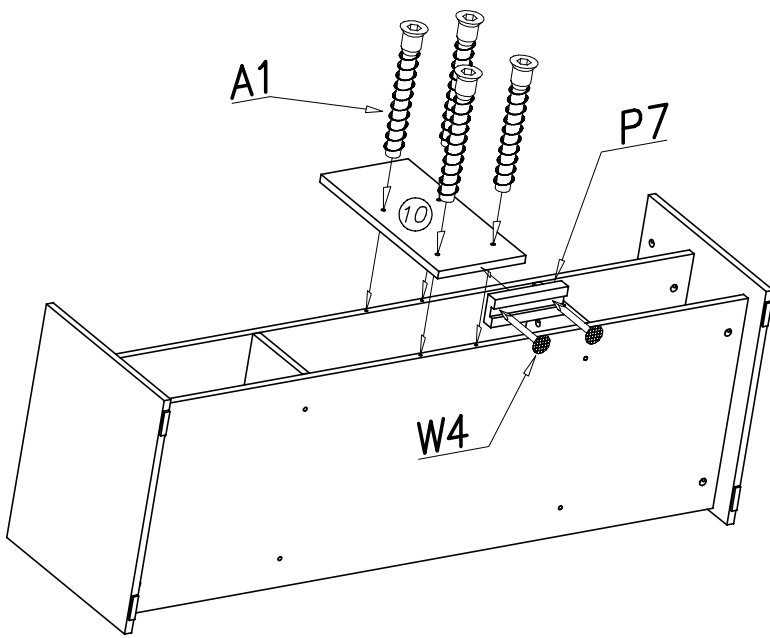
5



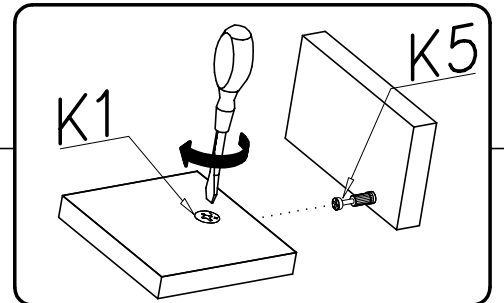
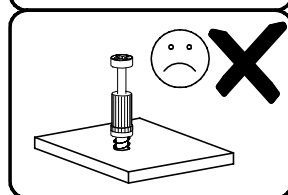
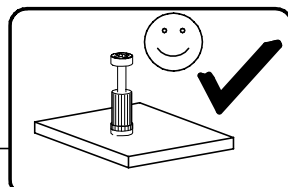
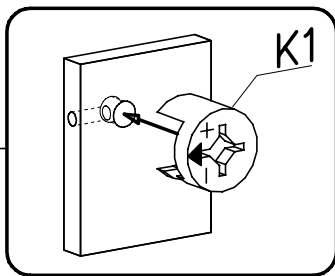
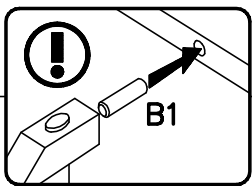
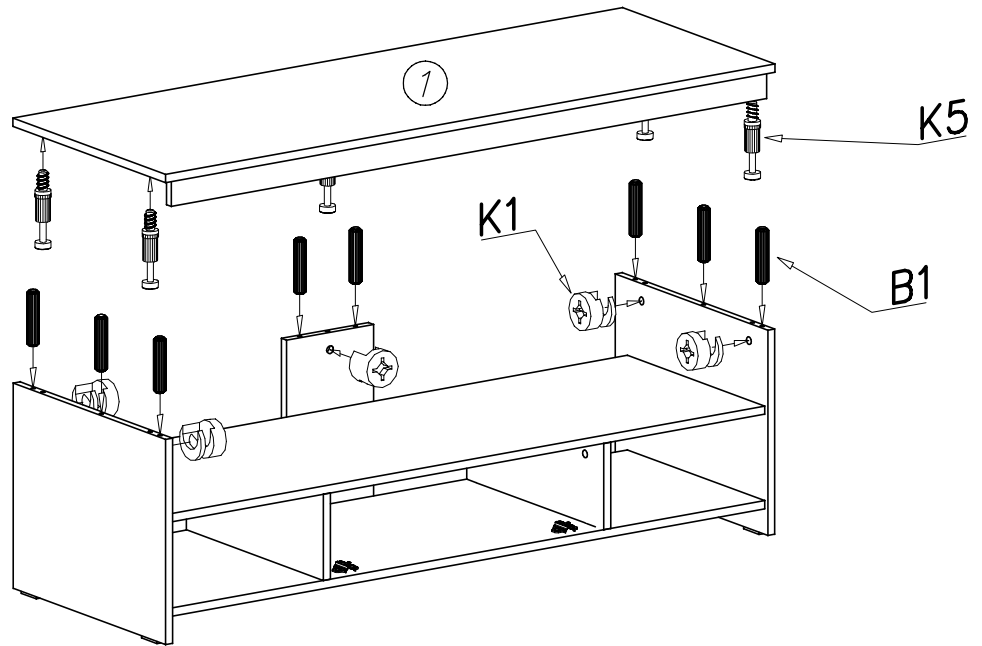
6



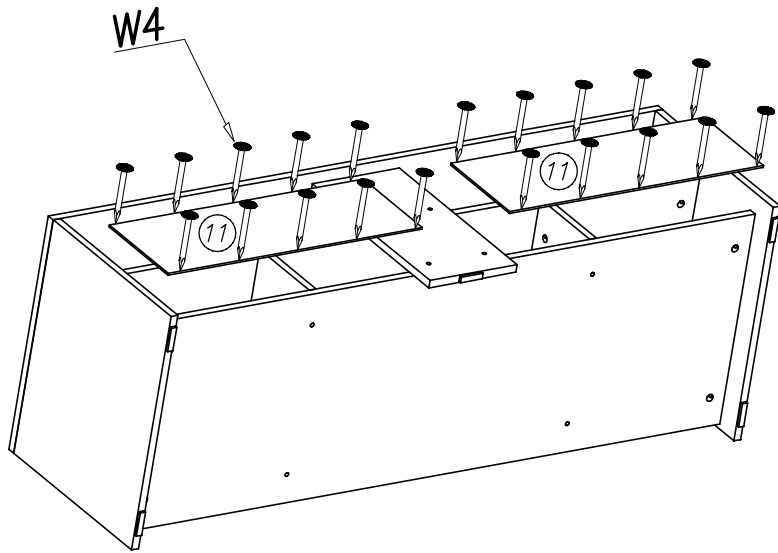
7



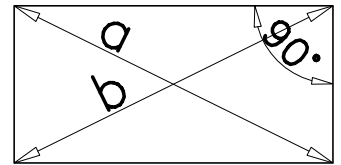
8



9



$a = b$



10

