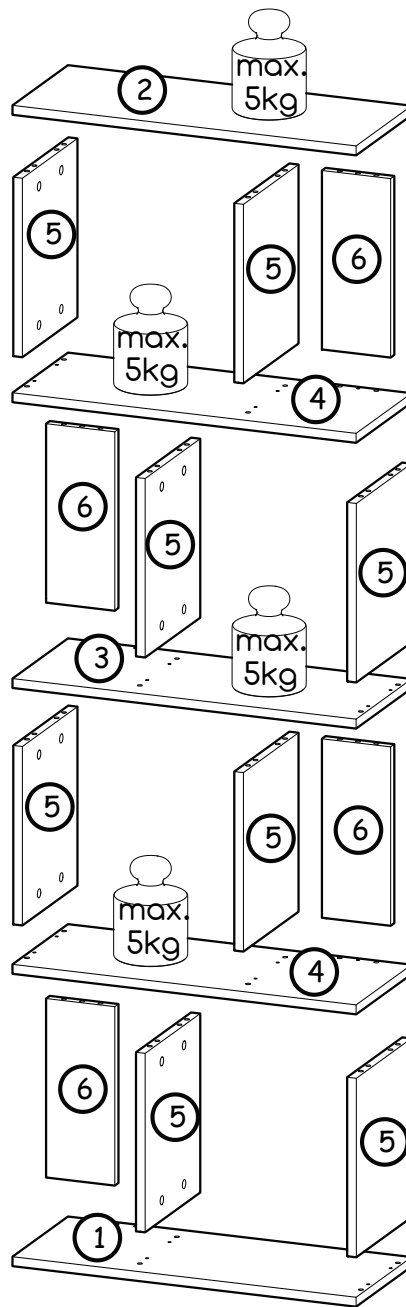




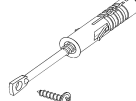
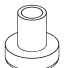
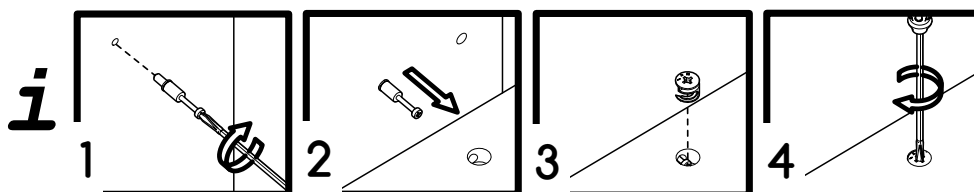


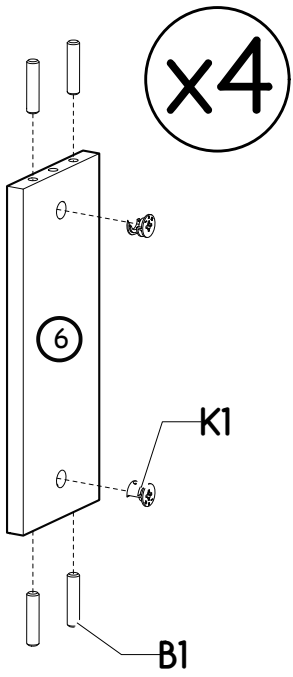
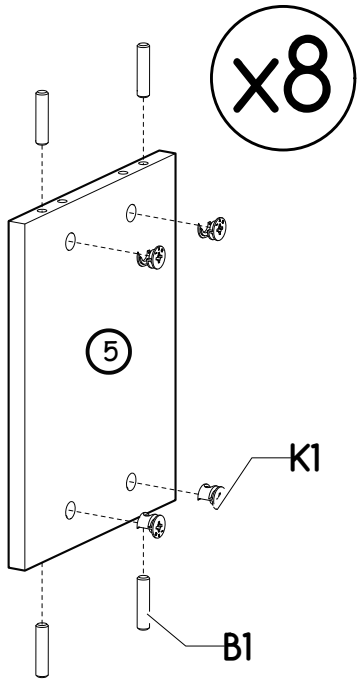
Nr	Xmm	Ymm	Zmm	x
1	600	240	16	1
2	600	240	16	1
3	600	240	16	1
4	600	240	16	2
5	303	238	16	8
6	303	120	16	4



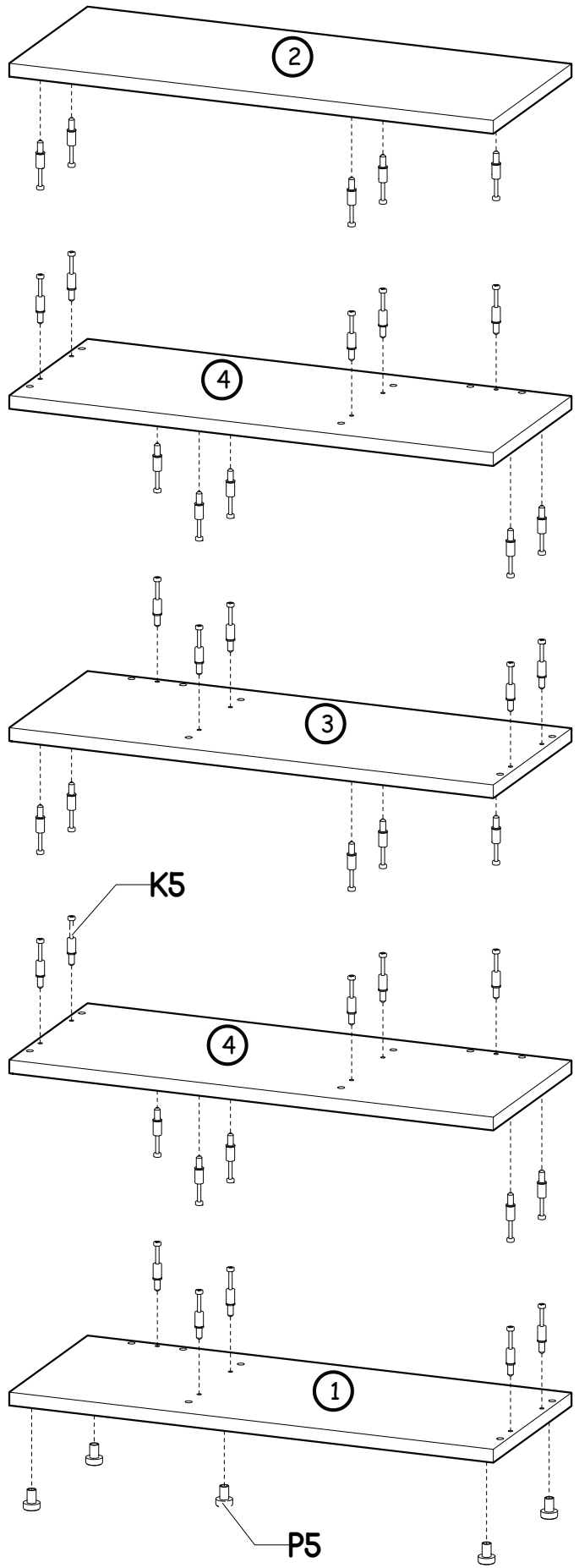
<b>B1</b> 48x Ø8x35 	<b>K1</b> 40x Ø15x12 	<b>I20</b> 32x Ø4/Ø17 	<b>K5</b> 40x 34mm 	<b>U10</b> 1x 	<b>P5</b> 5x H 6 
--	---	--	--	---	---



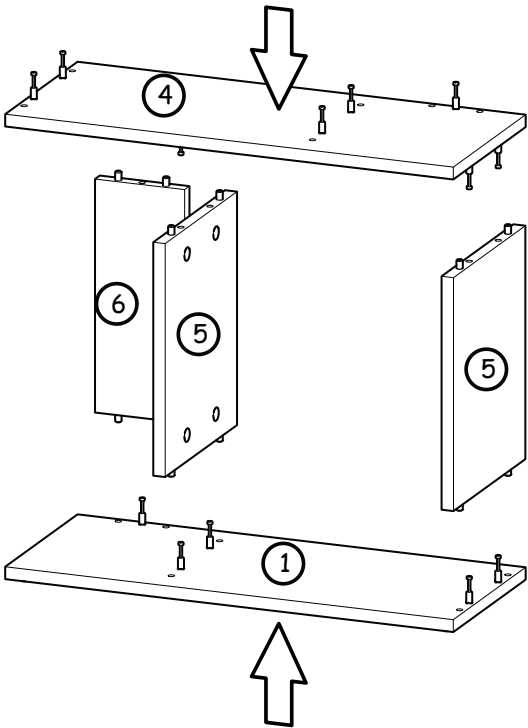
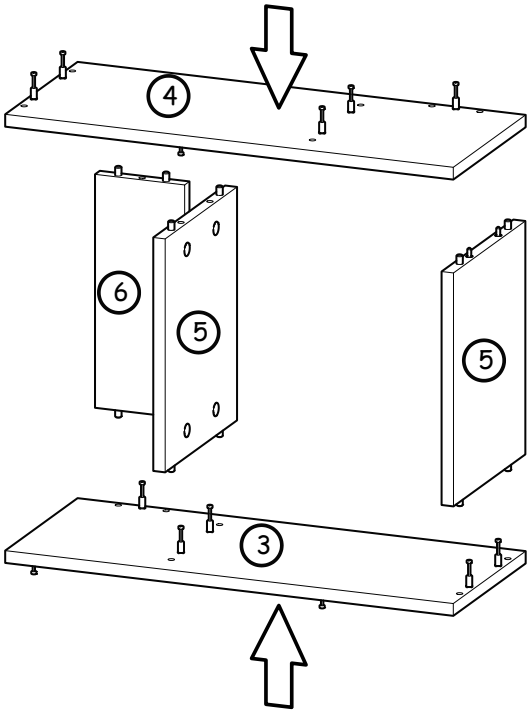
I



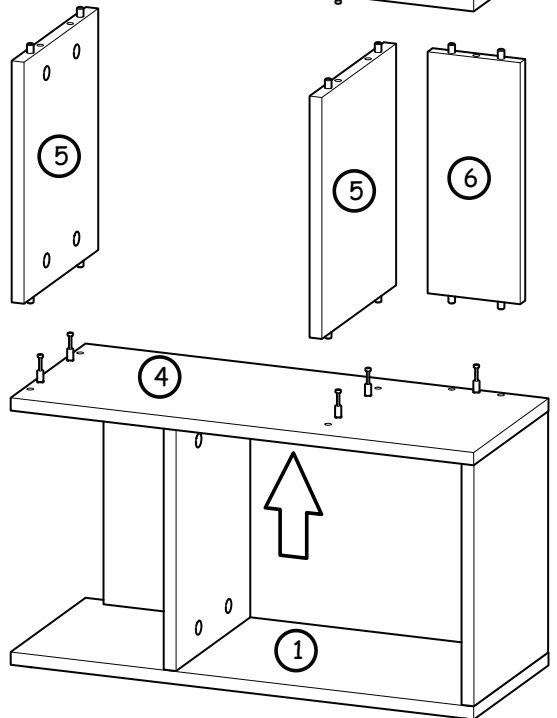
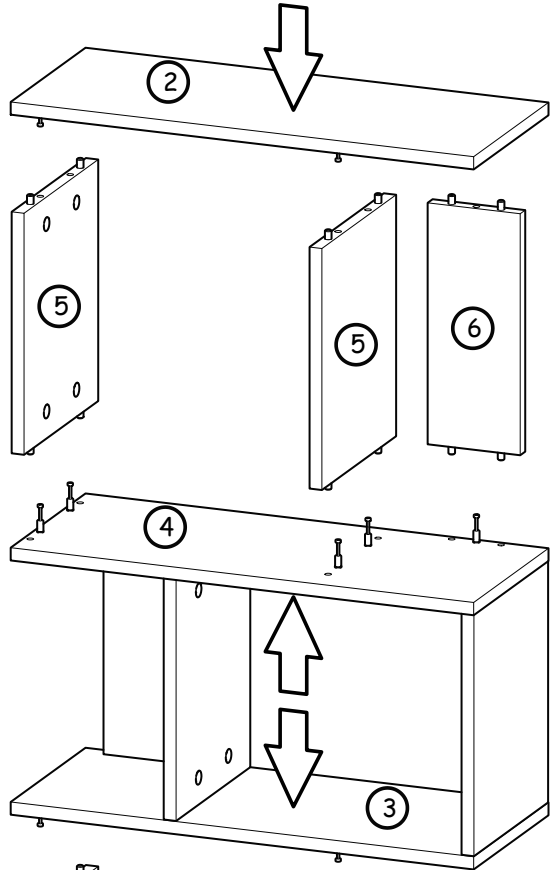
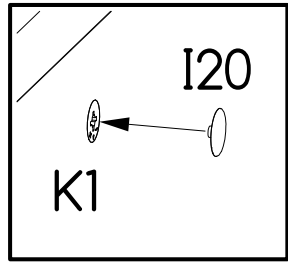
II



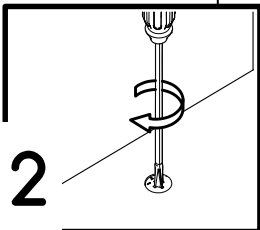
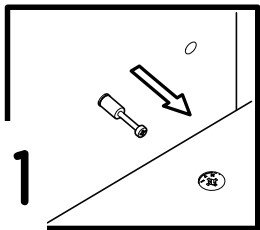
III



IV



**i**



V

