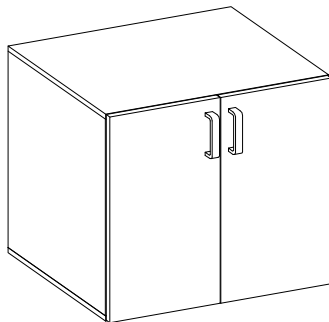
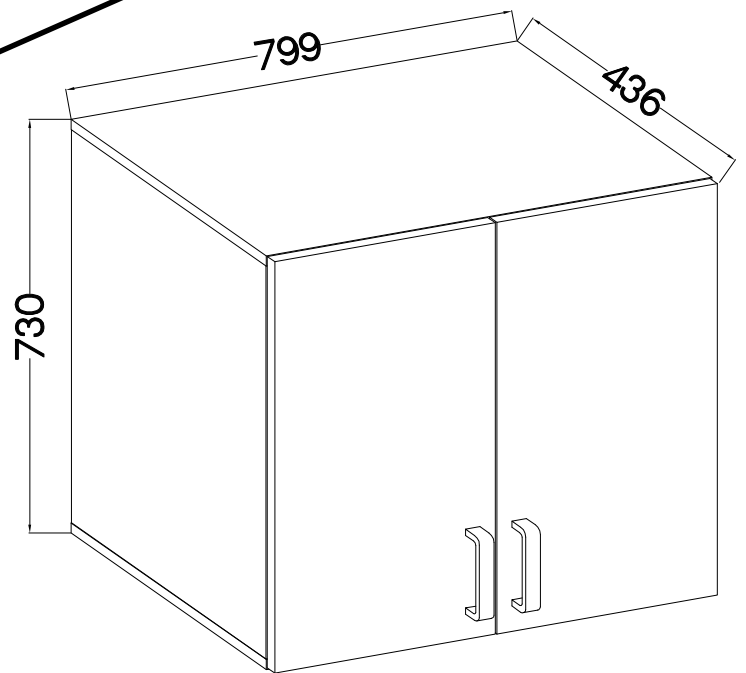
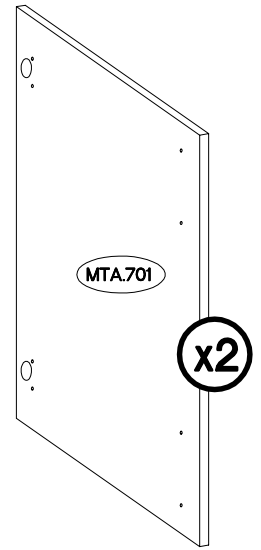
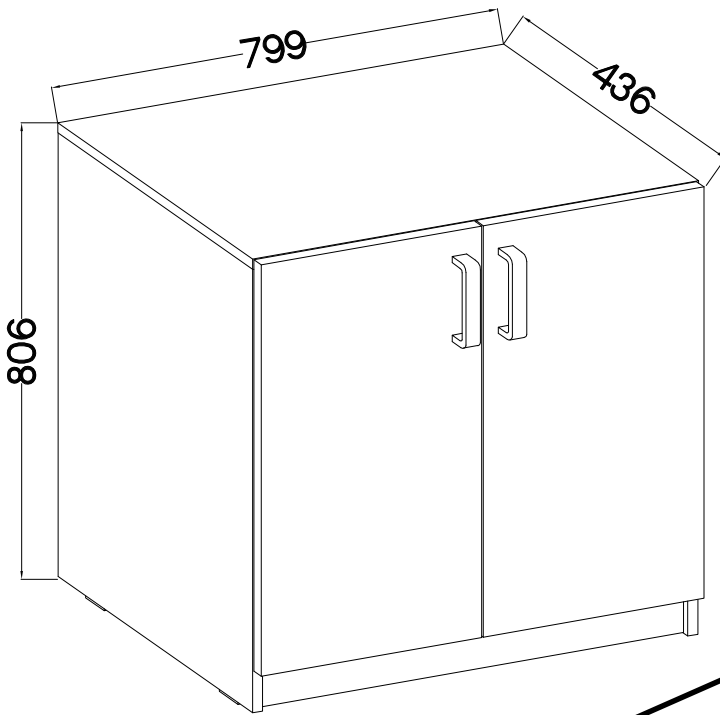
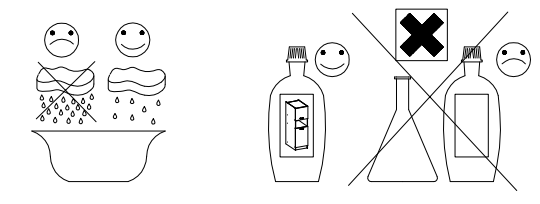


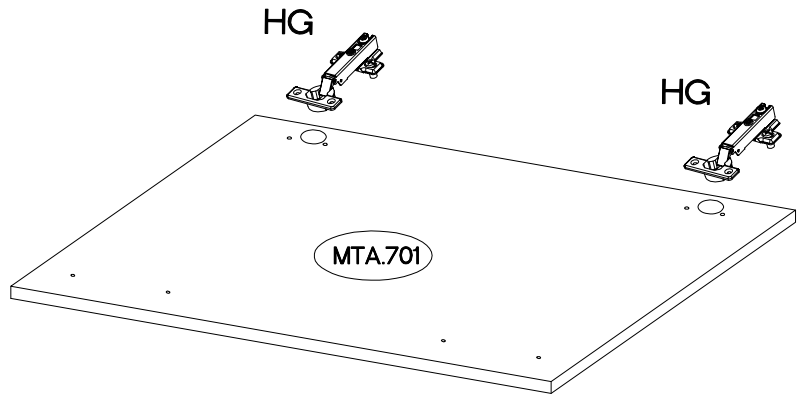
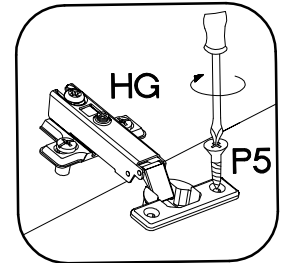
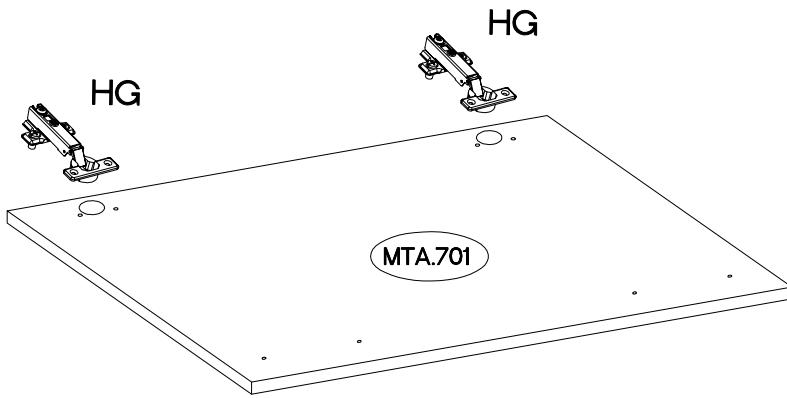
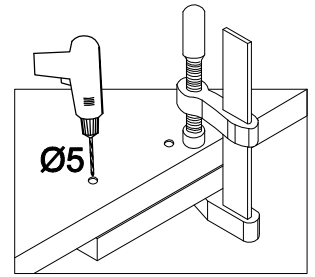
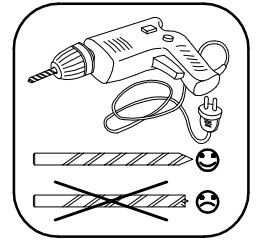
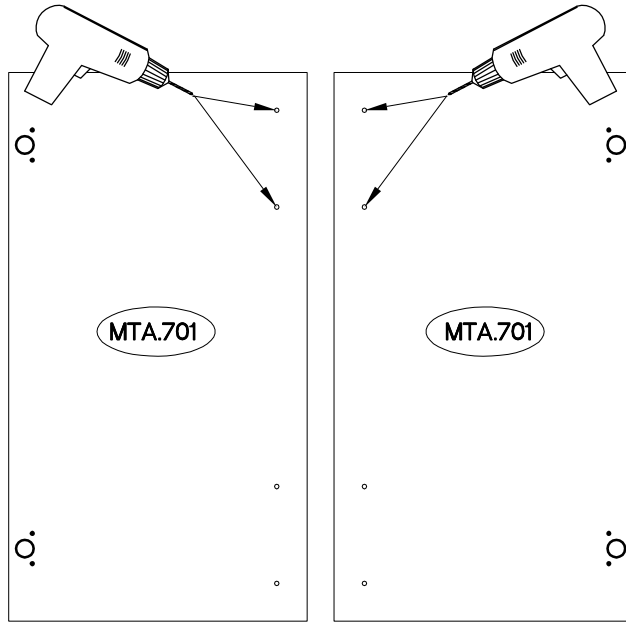
30 min



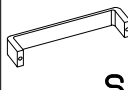

†35/0mm	†3.5x13mm	L=128mm	M4x22mm
[CD] HG	P5	S	U
4	8	2	4

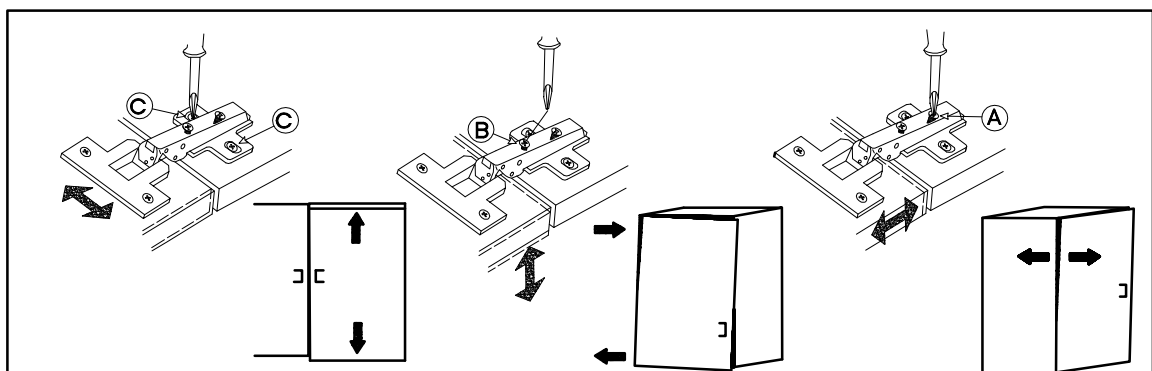
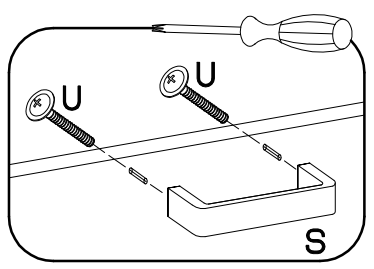
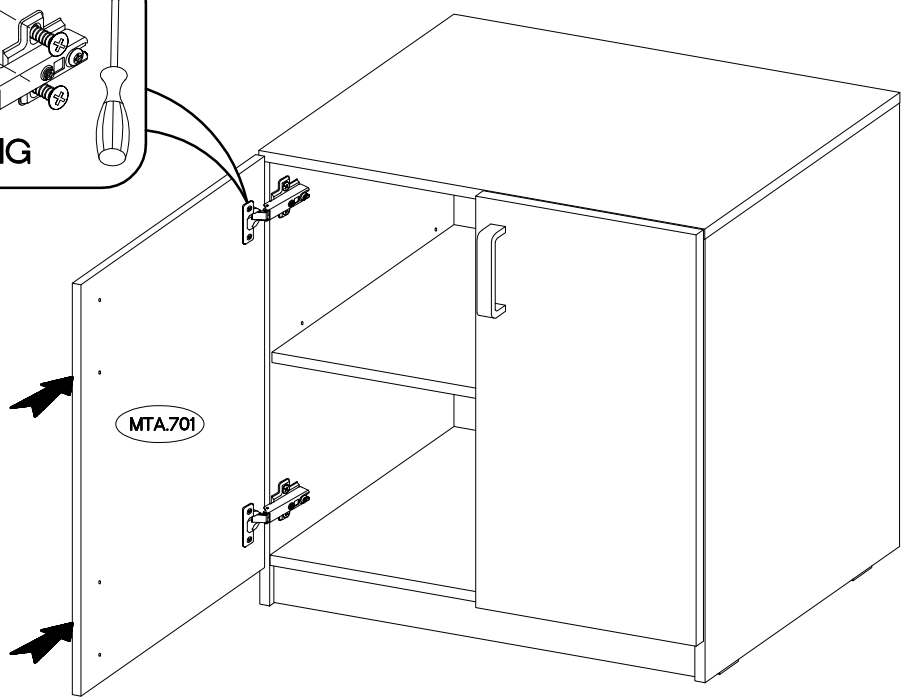
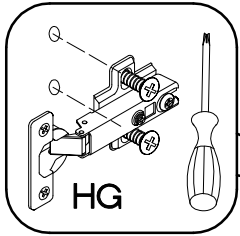
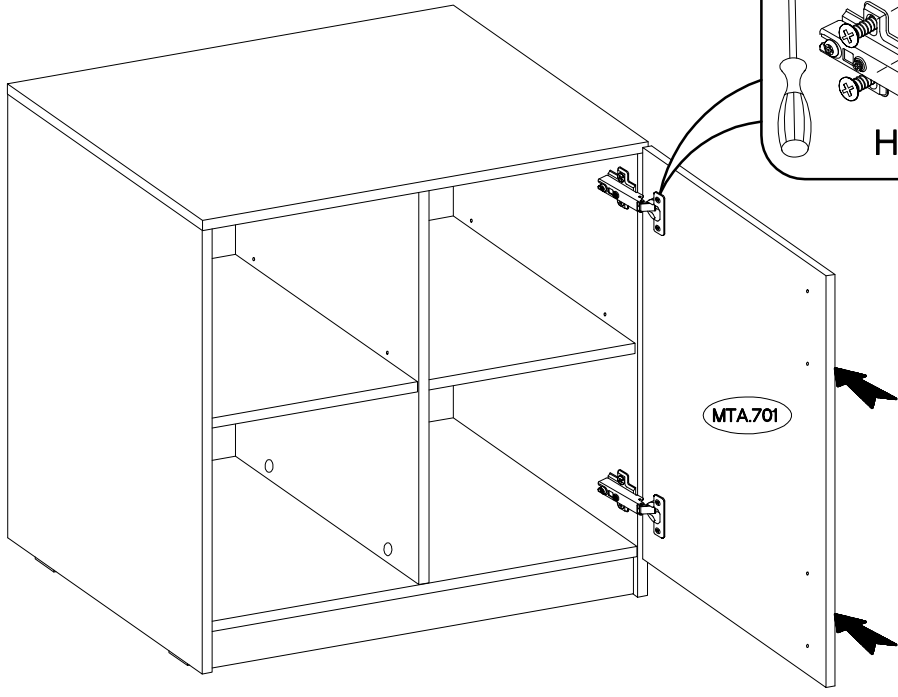
MTA.701 x2	726x395x16
------------	------------

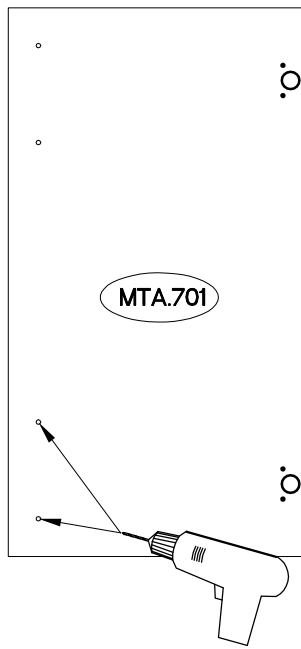
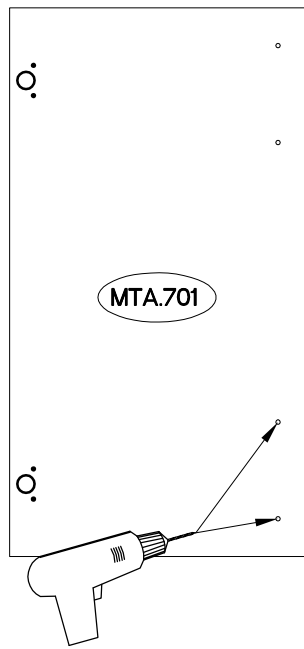
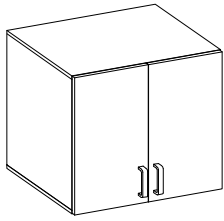
±35/0mm [CD] HG 4	±3.5x13mm P5 8
-------------------------	----------------------





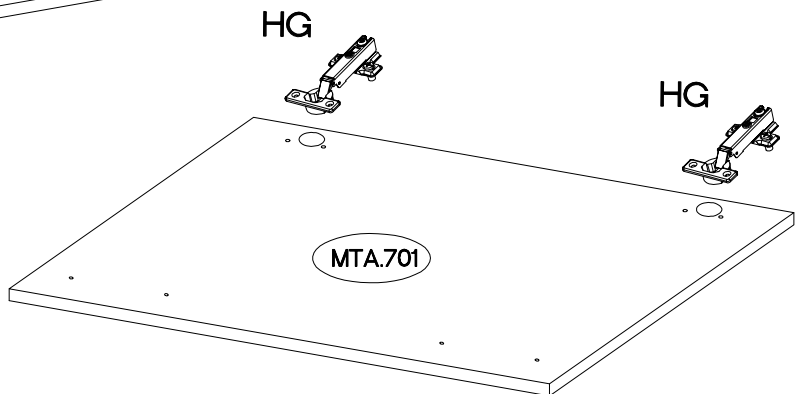
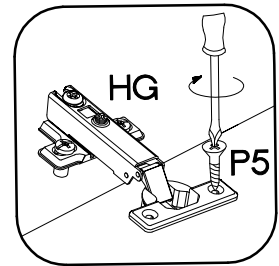
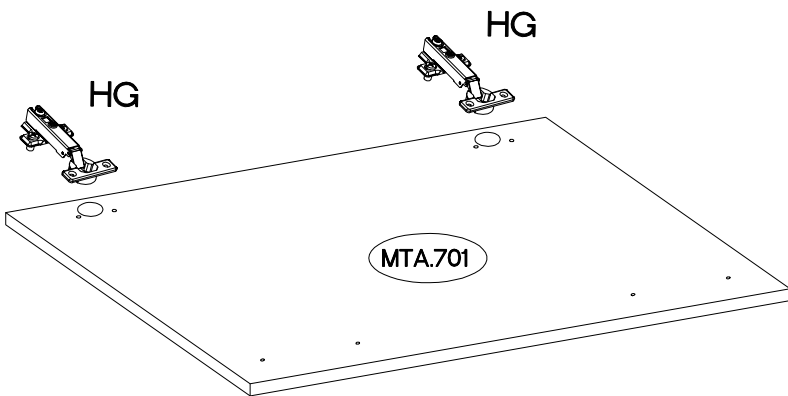
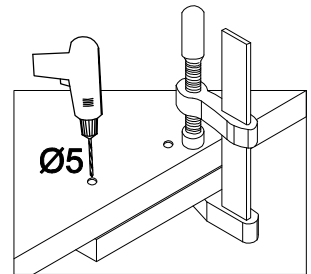
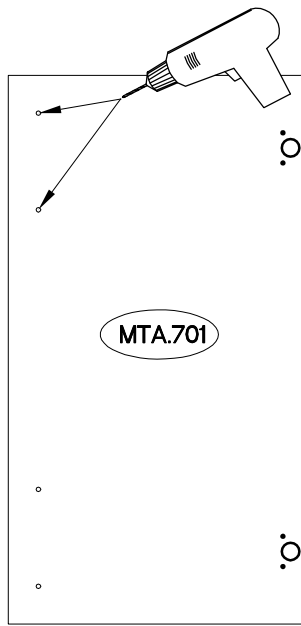
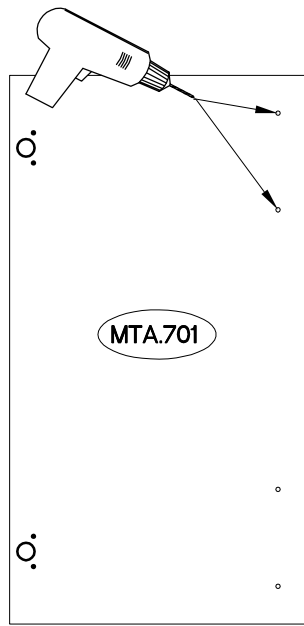
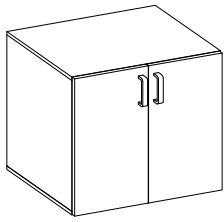
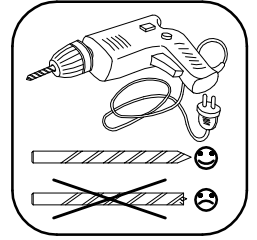
2

L=128mm	M4x22mm
	
S	U
2	4

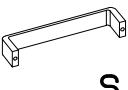



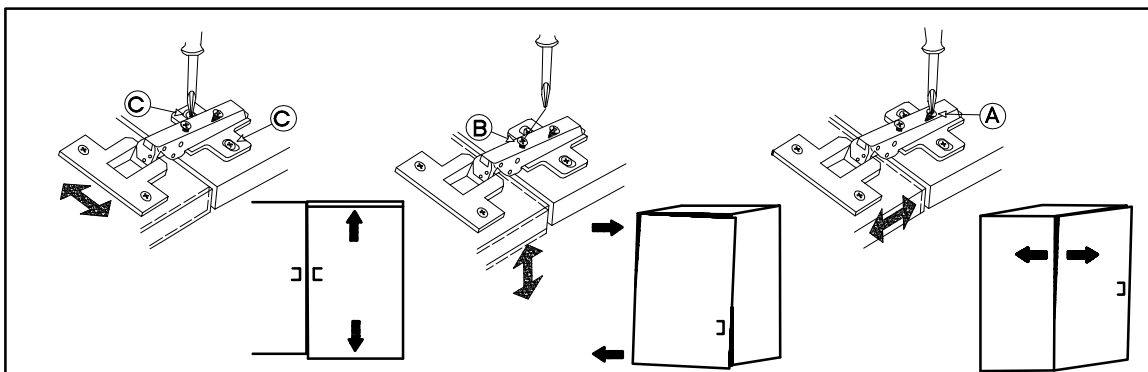
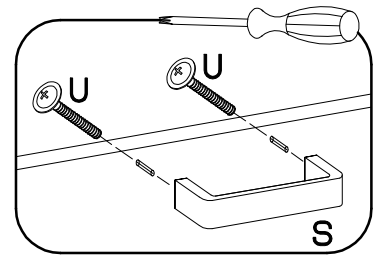
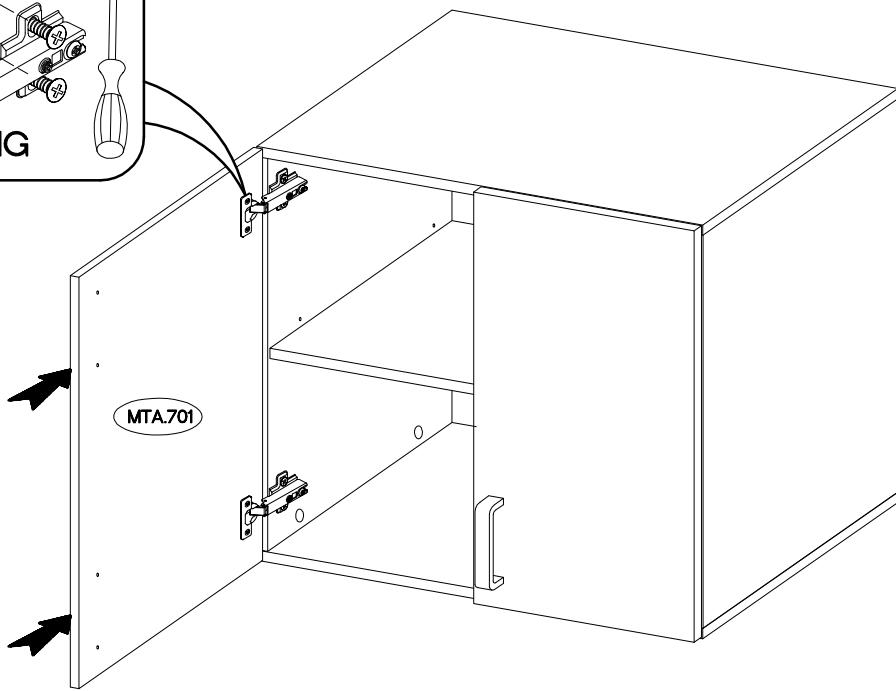
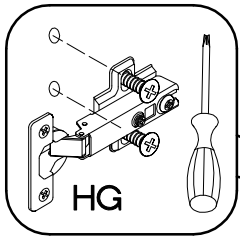
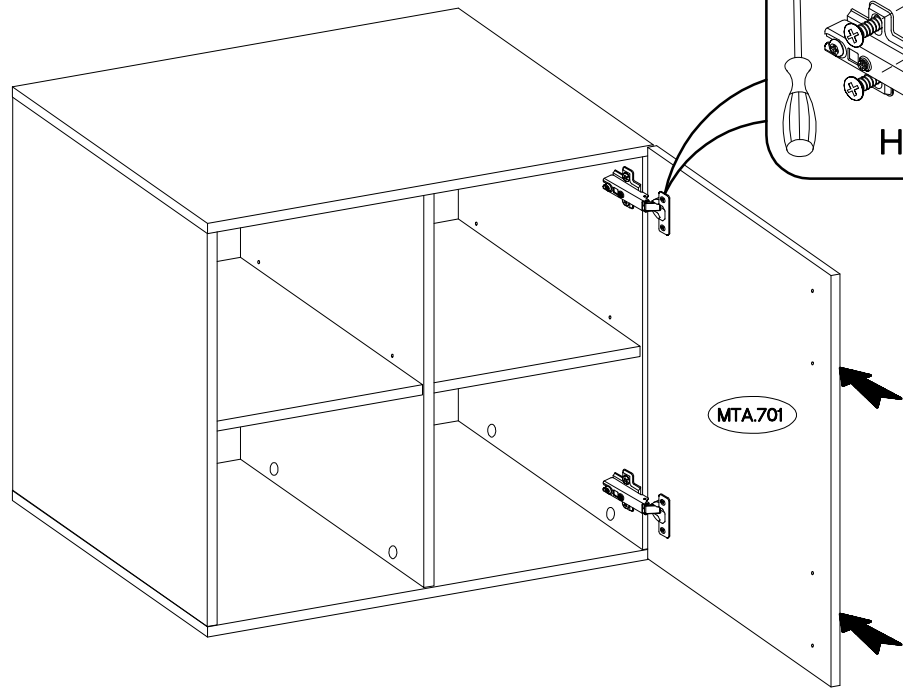


 $\varnothing 35/0mm$	 $\varnothing 3.5 \times 13mm$
[CD] HG	P5
4	8



4

L=128mm	M4x22mm
	
S	U
2	4



5

