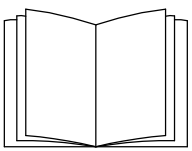
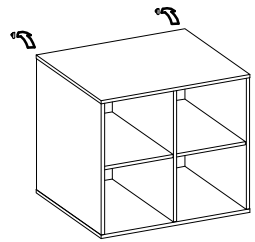
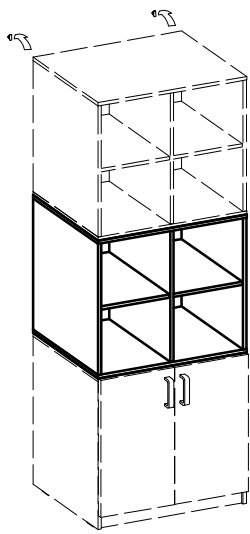
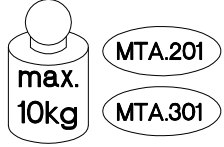
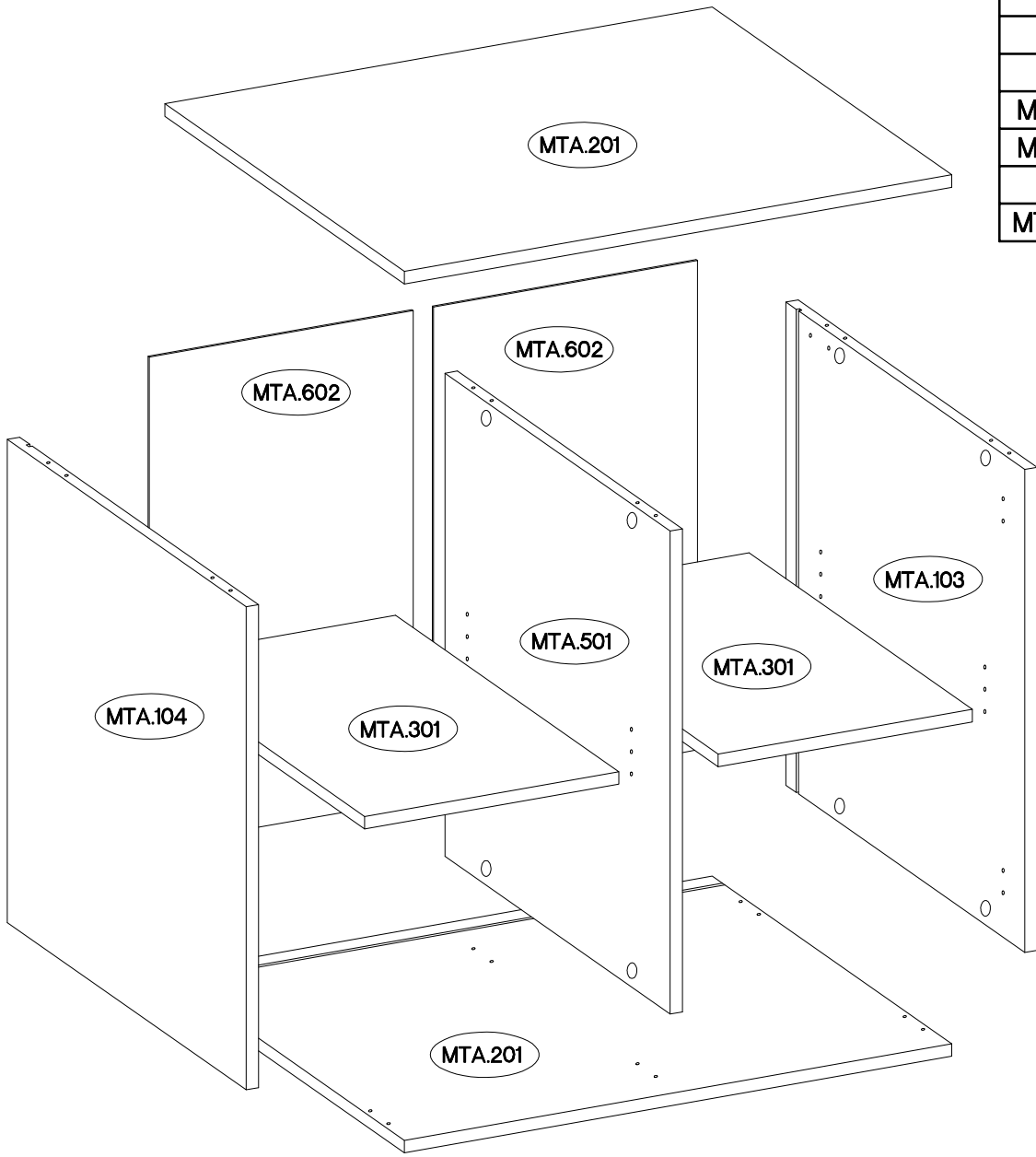


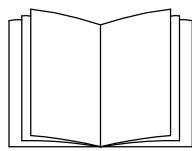
 <b>A</b> 12	 <b>C</b> 12	 <b>D2</b> 12	 <b>E11</b> 12	 <b>E13</b> 4
 <b>J3</b> 8	 <b>K9</b> 1	 <b>K10</b> 1	 <b>K11</b> 1	 <b>K12</b> 1

 <b>L</b> 10	 <b>L2</b> 5	 <b>M10</b> 2	 <b>O7</b> 2	 <b>O4</b> 2	 <b>P7</b> 5
--------------------	--------------------	---------------------	--------------------	--------------------	--------------------

MTA.103	394x419x18
MTA.104	394x419x18
MTA.201 x2	799x420x18
MTA.301 x2	371x392x18
MTA.501	694x395x18
MTA.602 x2	703x385x2,5

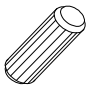




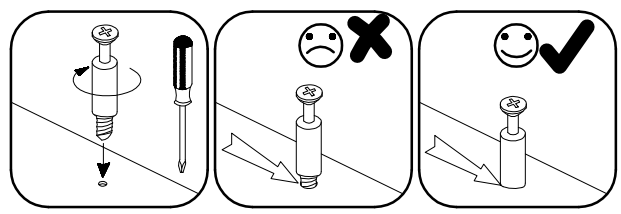
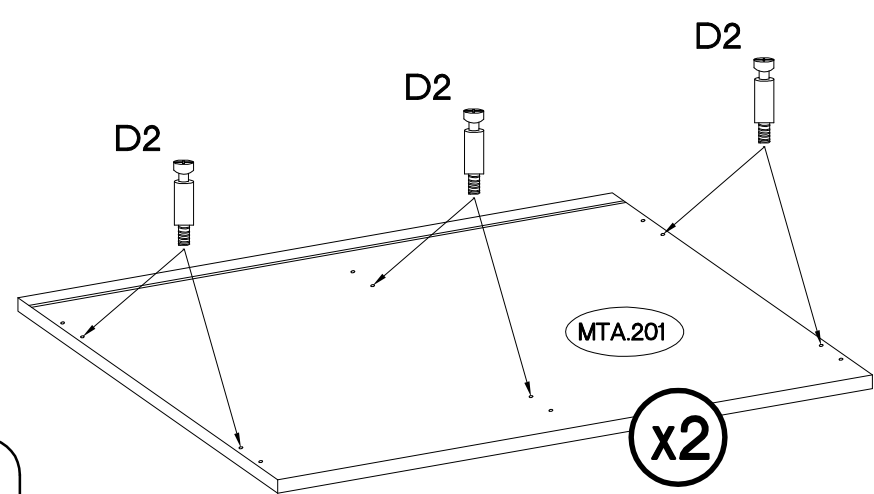
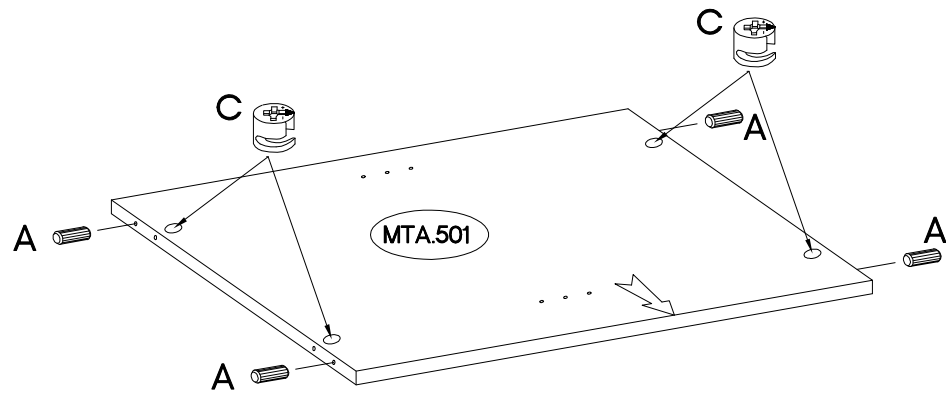
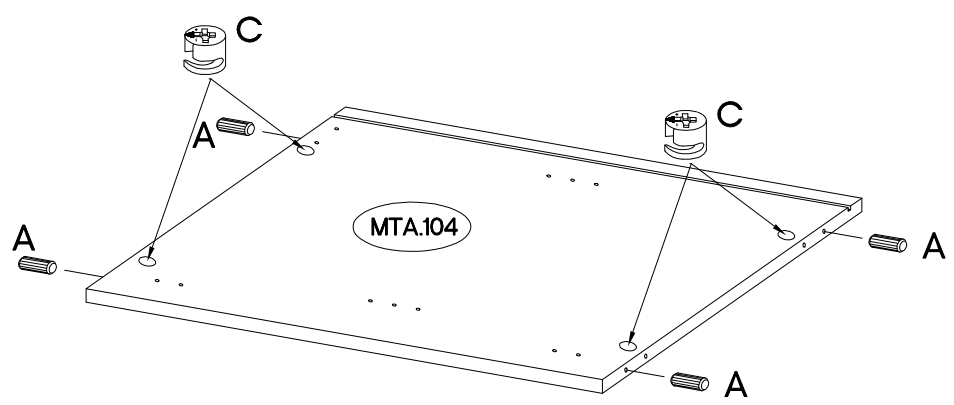
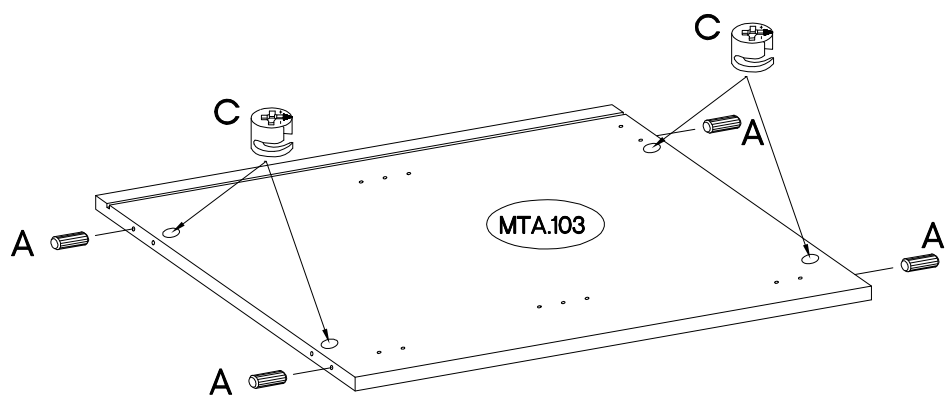
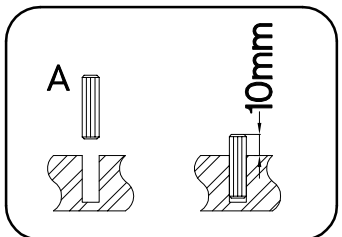
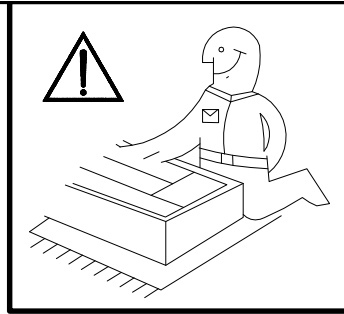
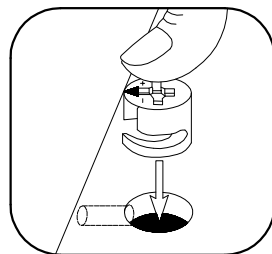
1 — 6



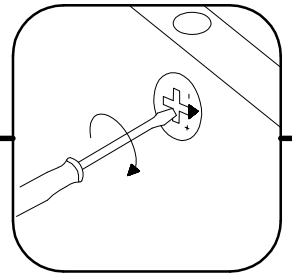
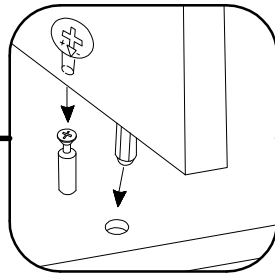
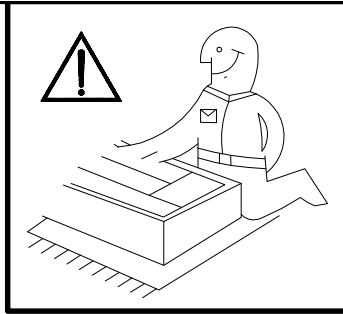
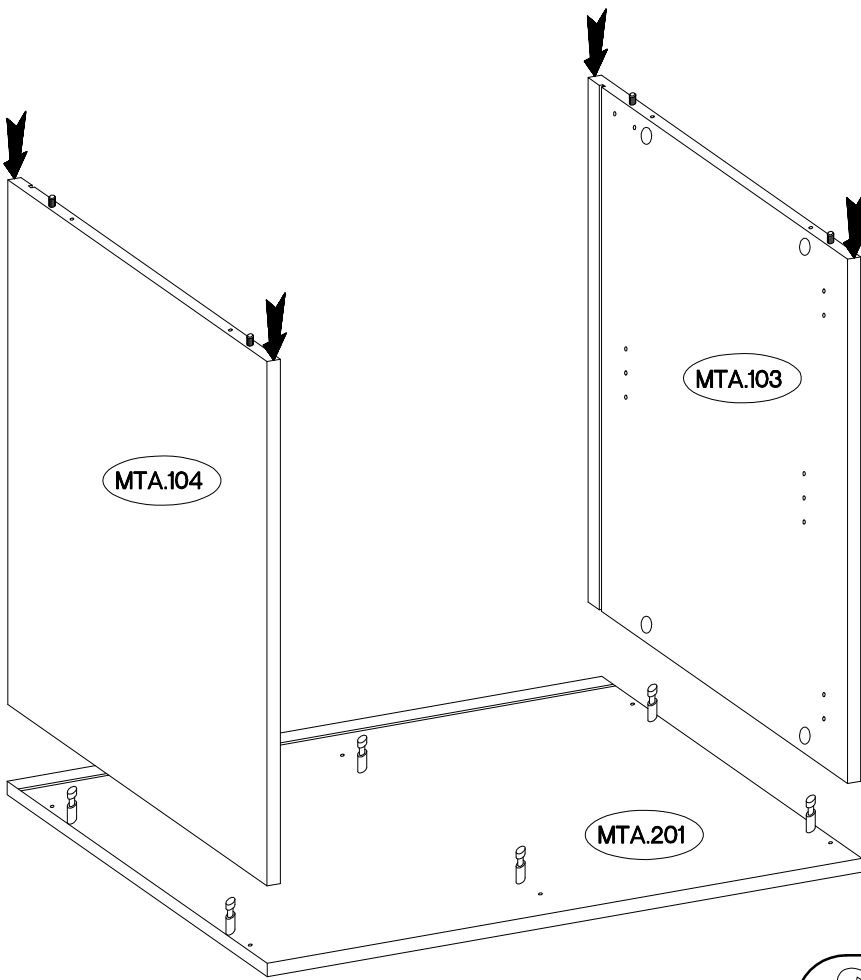
7 — 14

1

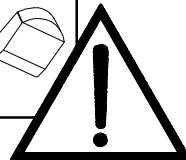
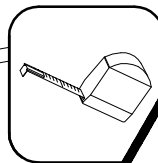
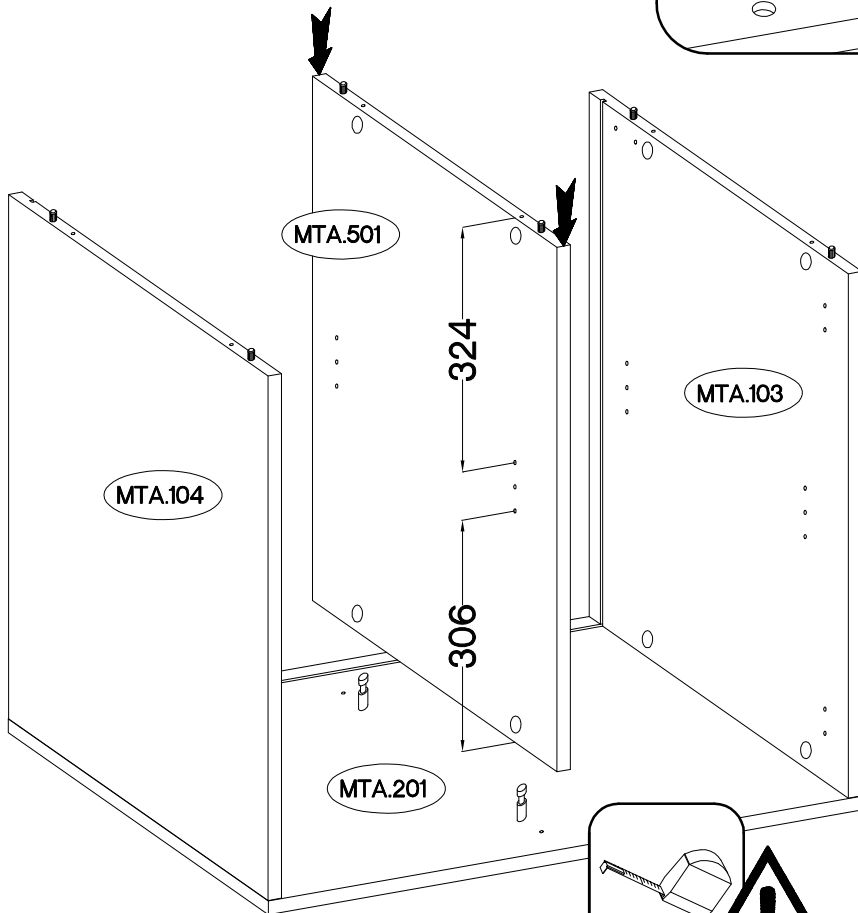
$\varnothing 8 \times 30 \text{mm}$  A 12	L=20mm  D2 12	$\varnothing 15/12 \text{mm}$  C 12
--	--	--




2

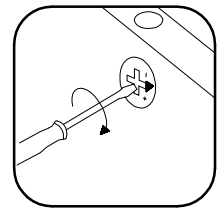
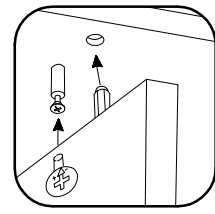
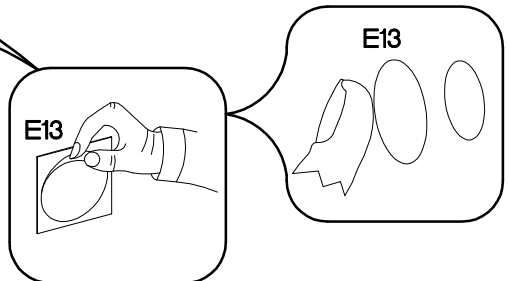
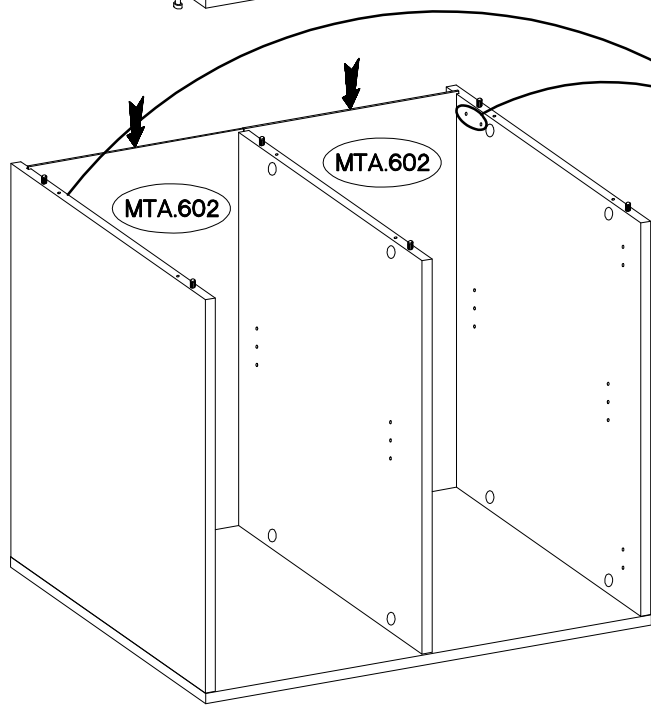
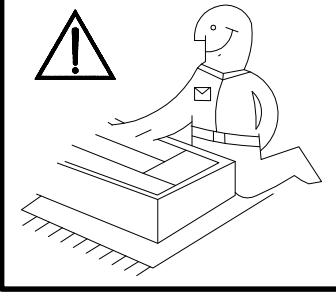
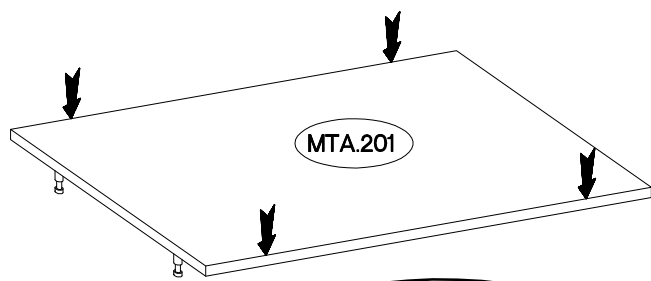


3


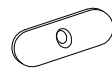
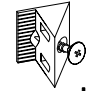


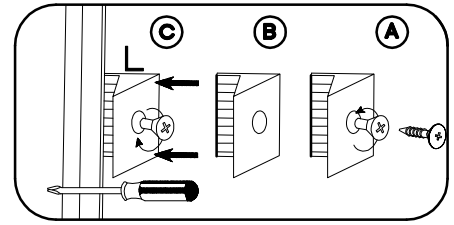
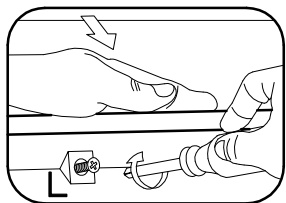
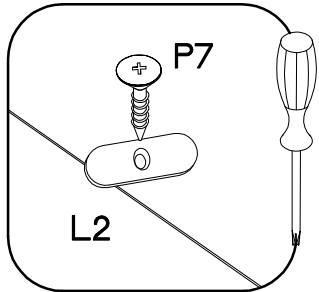
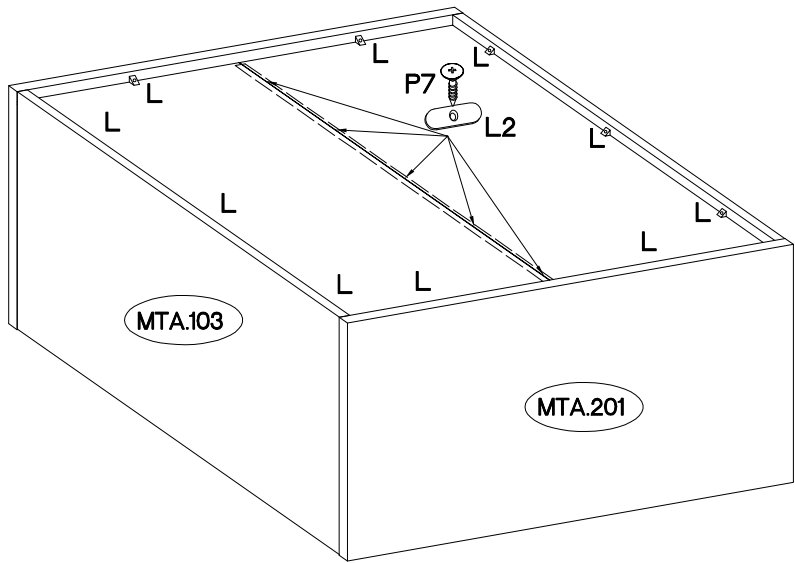
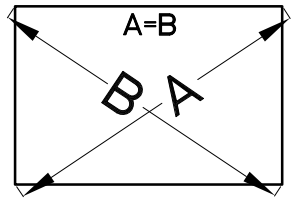
4

 †14 E13 4
---

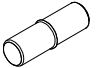
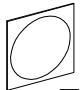


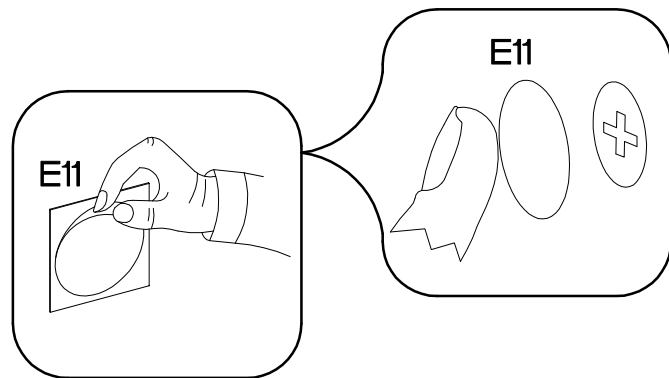
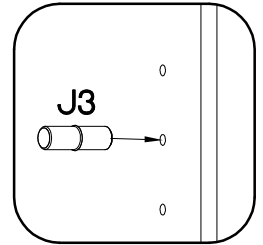
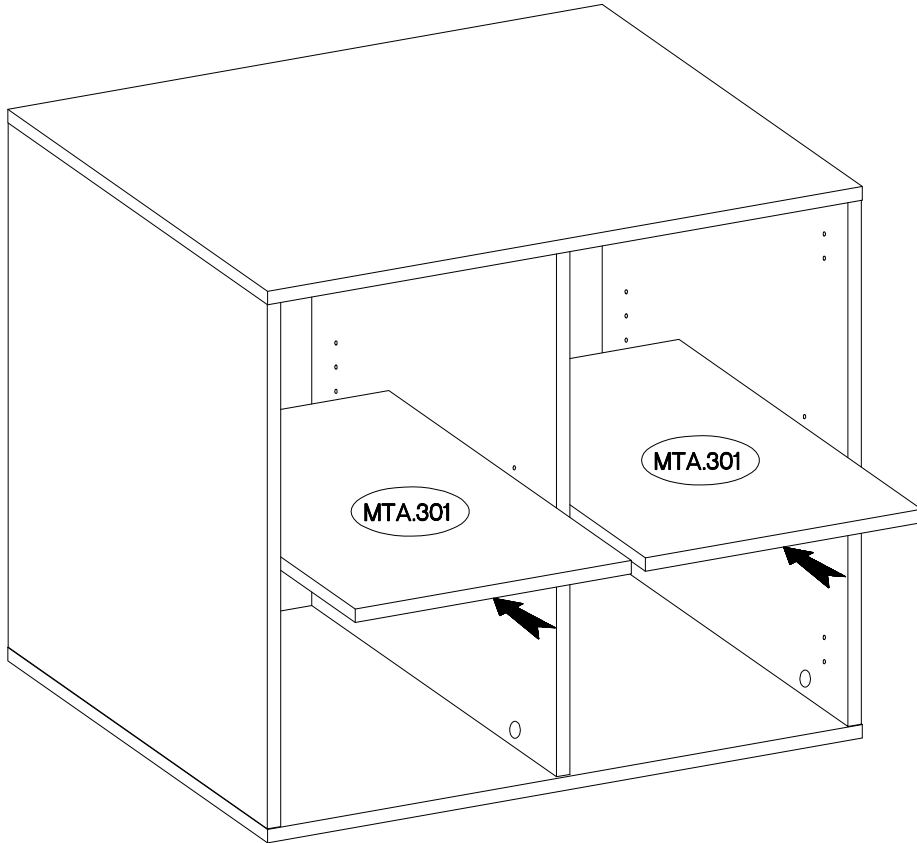
5

 †3.0x20mm P7 5	 L2 5	 L 10
---	--	--




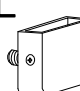
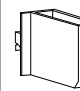


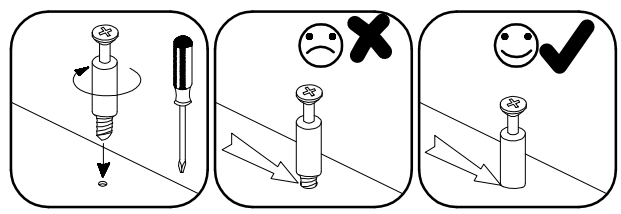
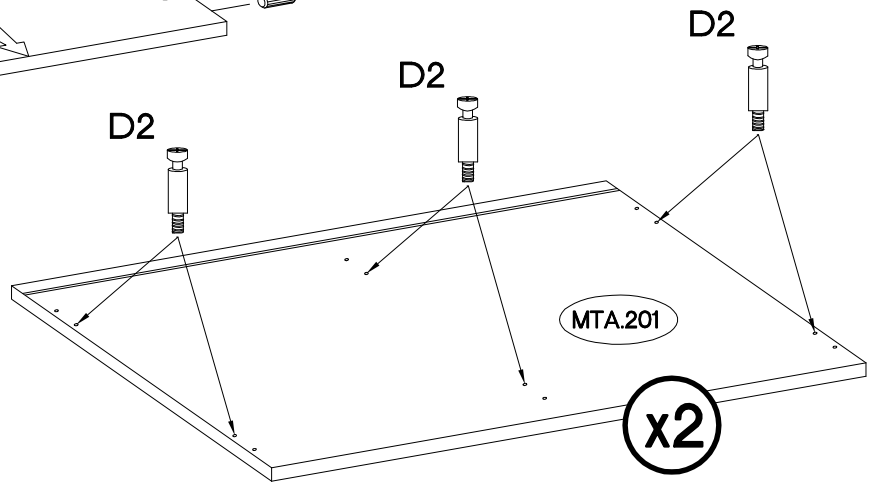
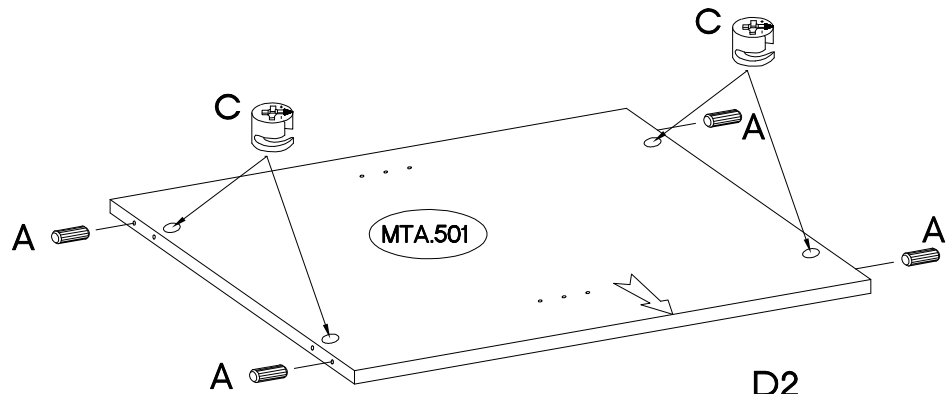
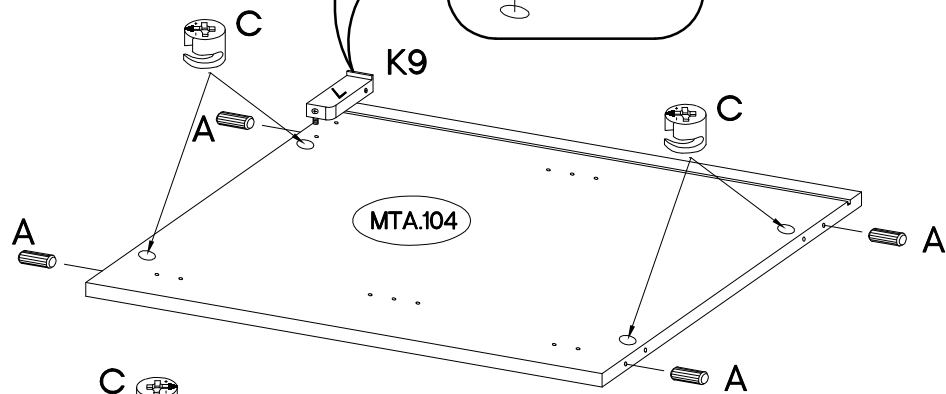
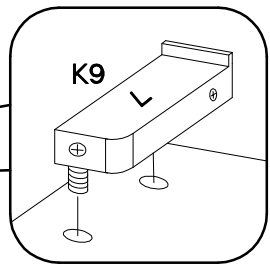
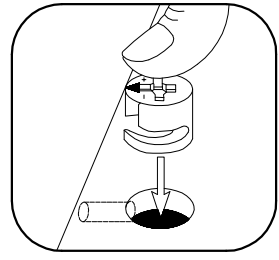
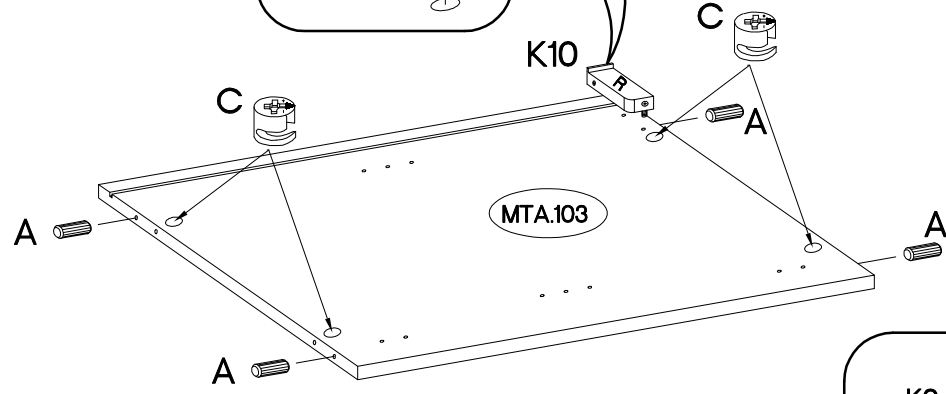
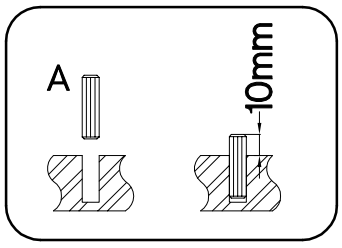
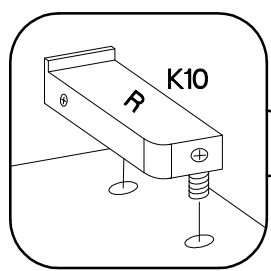
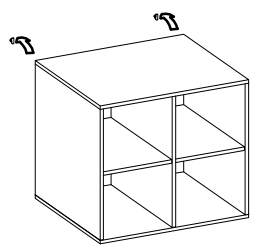
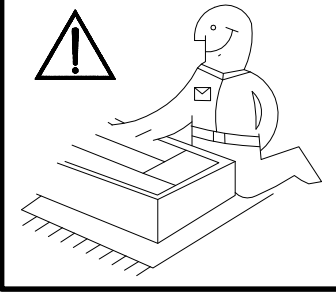
6

 J3	 E11
8	12

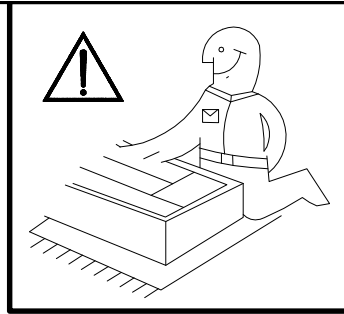
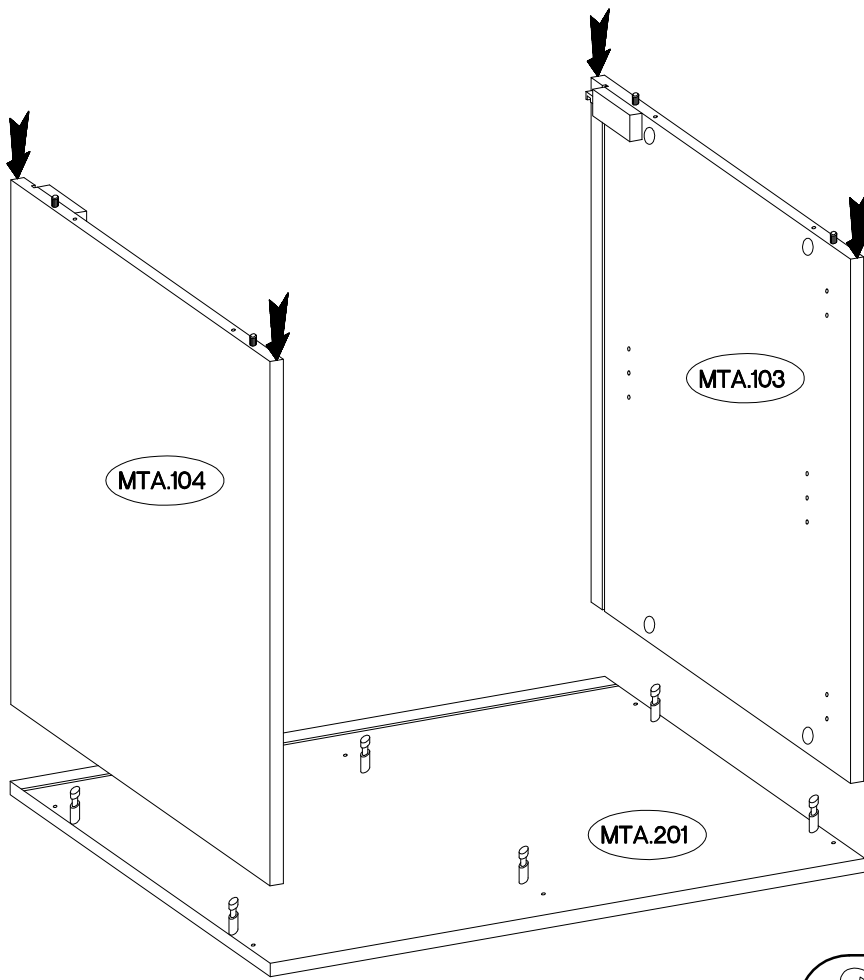


7

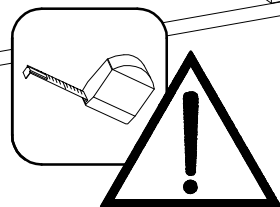
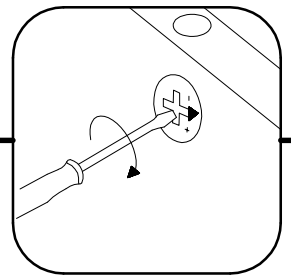
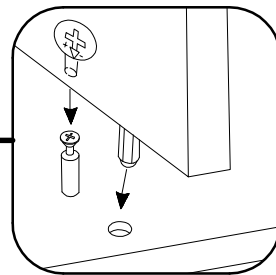
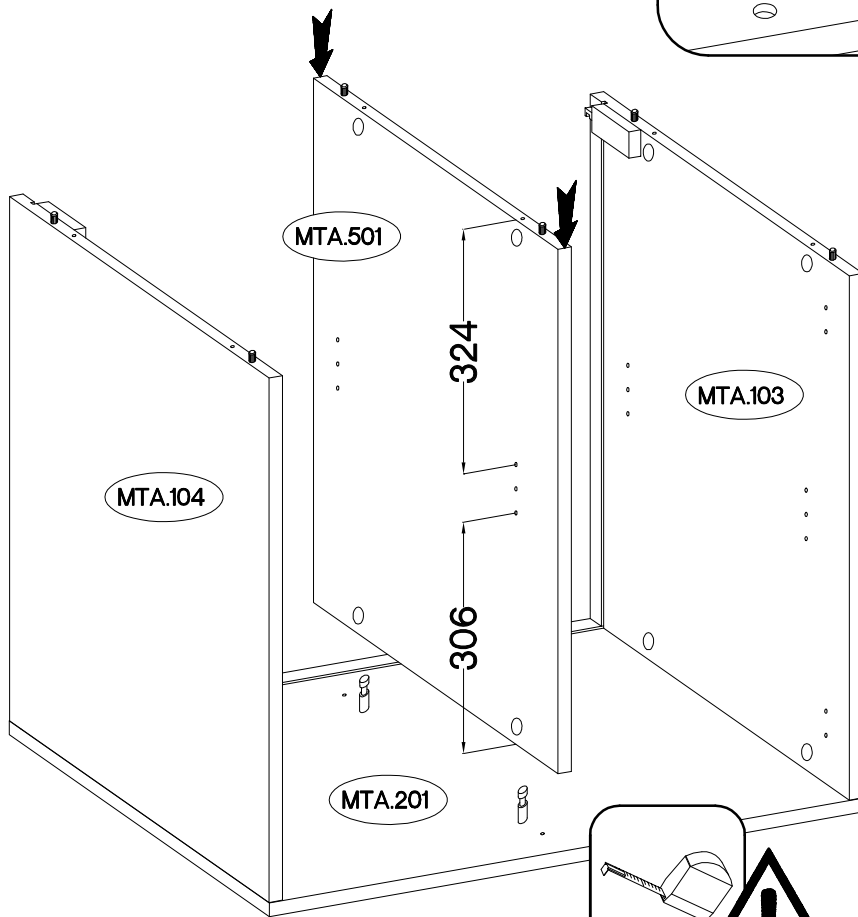
$\varnothing 8 \times 30\text{mm}$  A 12	L=20mm  D2 12	$\varnothing 15/12\text{mm}$  C 12	L  K9 1	R  K10 1
---	--	---	--	---



8

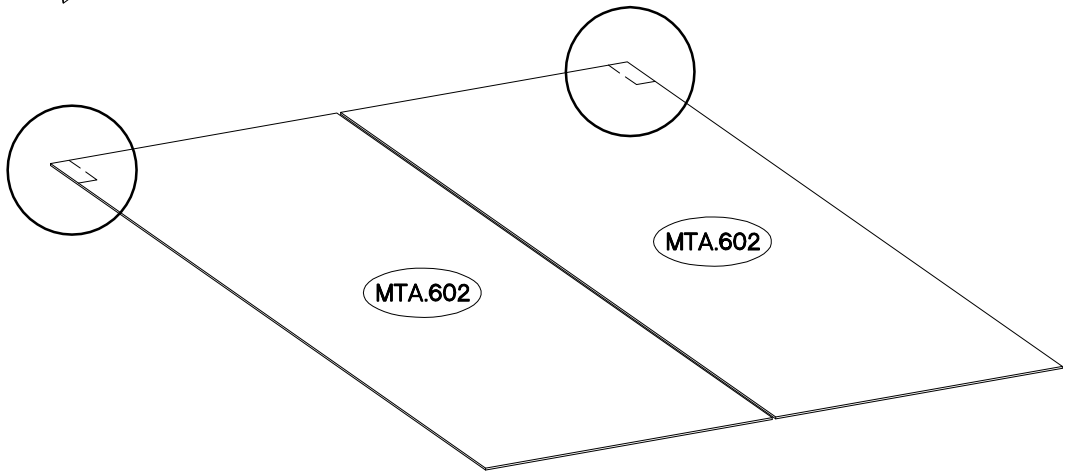
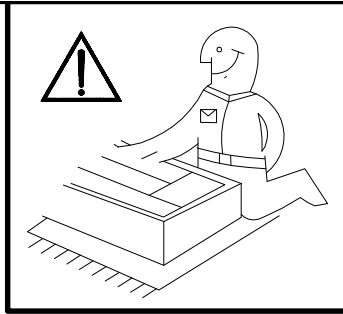
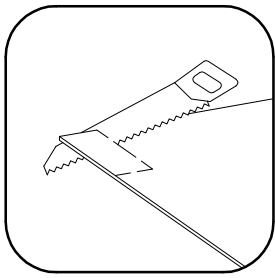
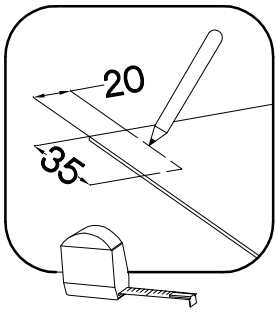


9

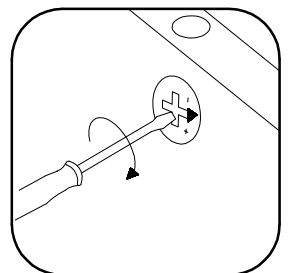
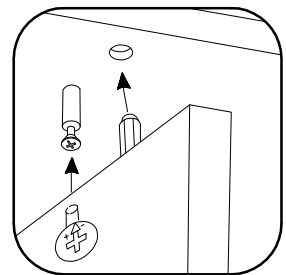
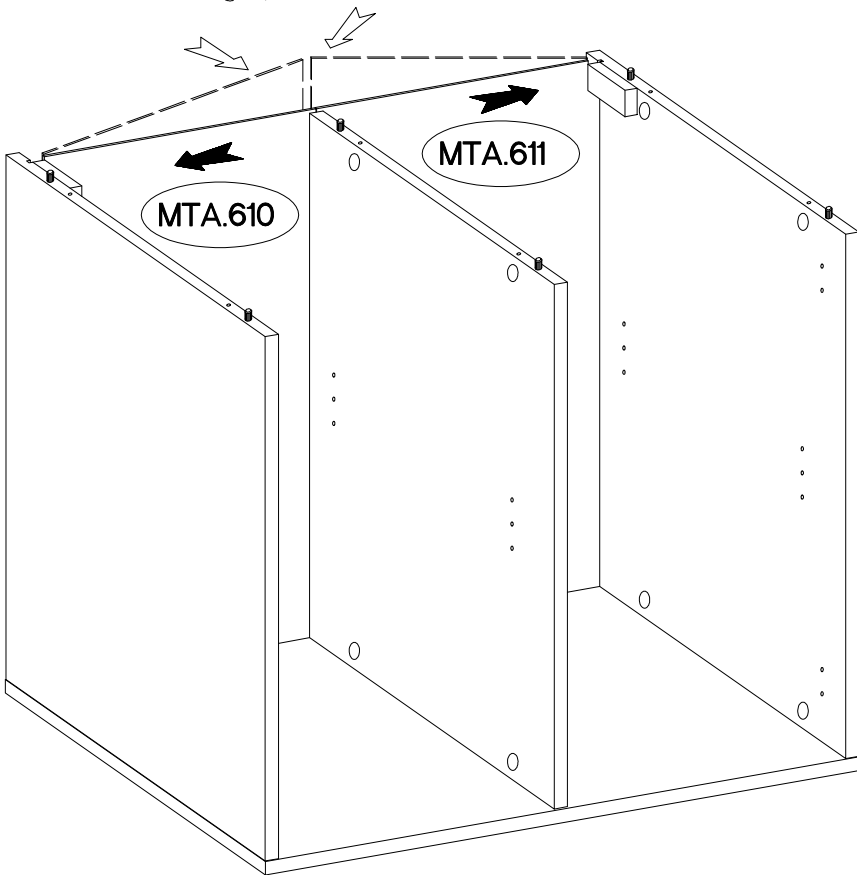
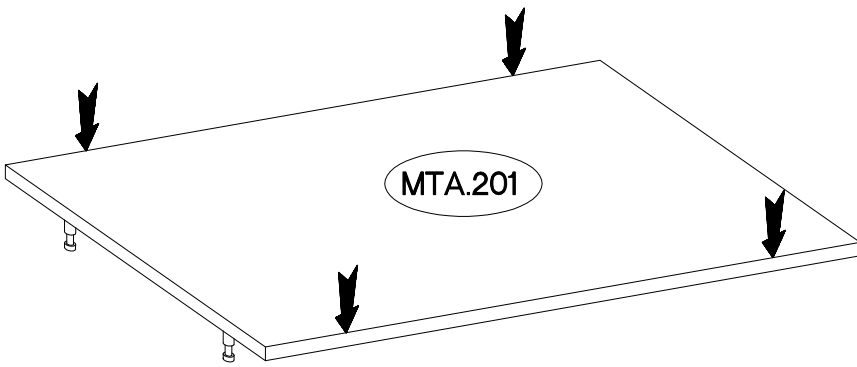



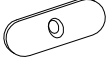
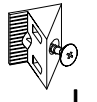


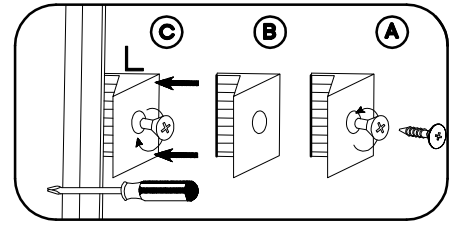
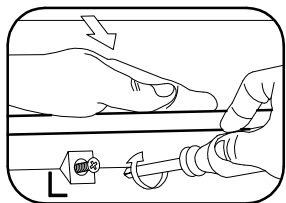
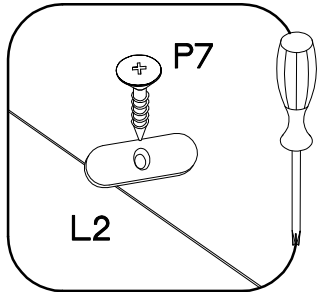
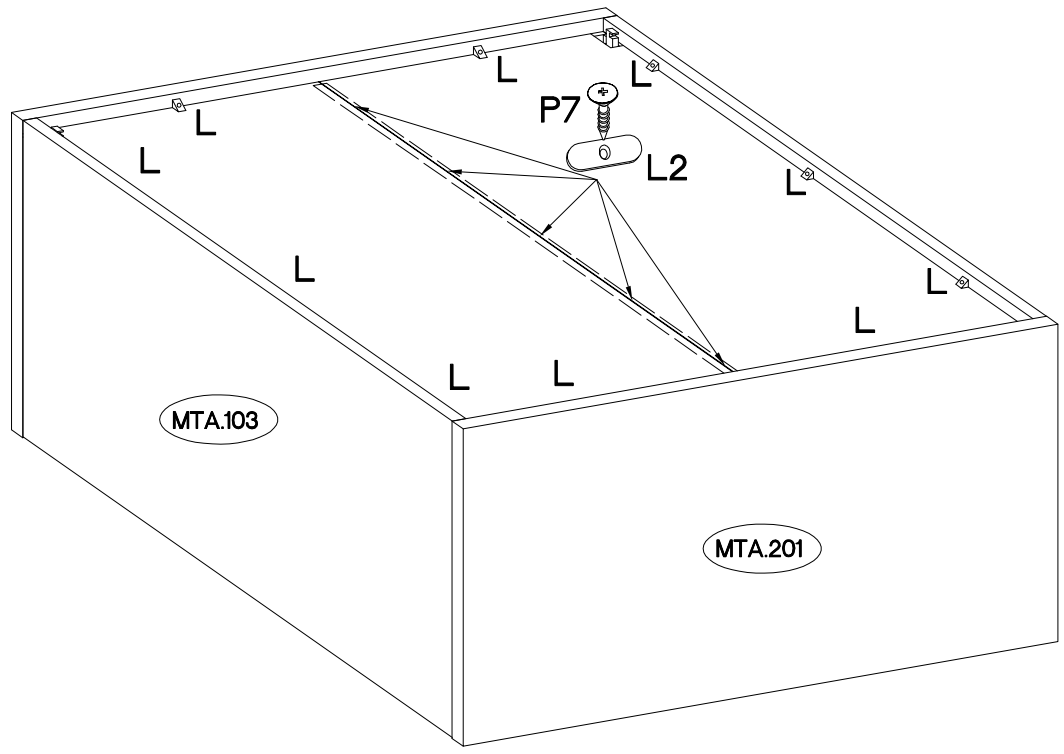
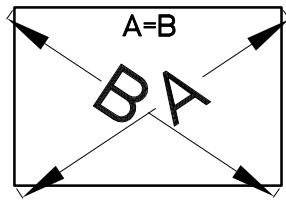
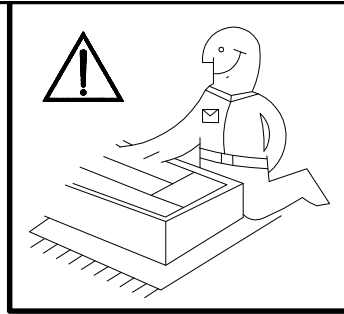
10



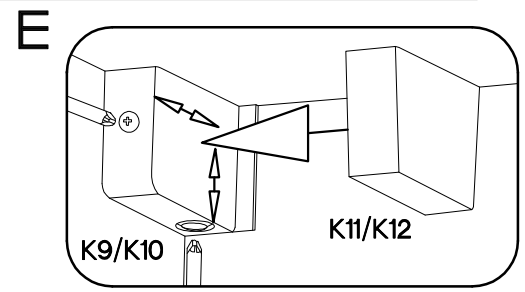
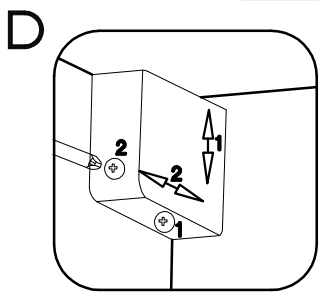
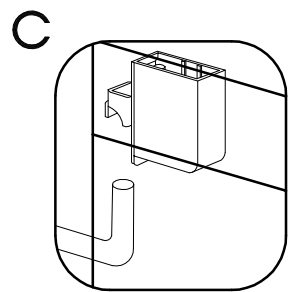
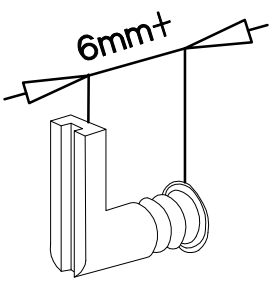
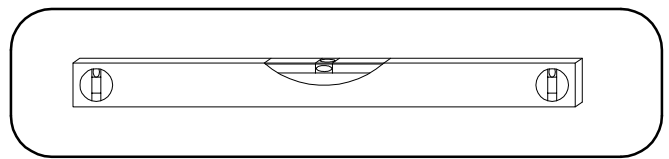
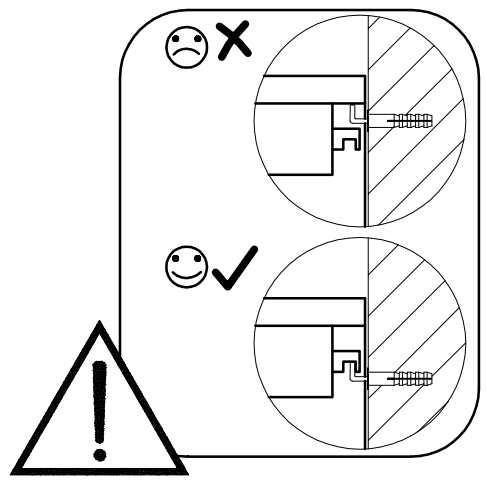
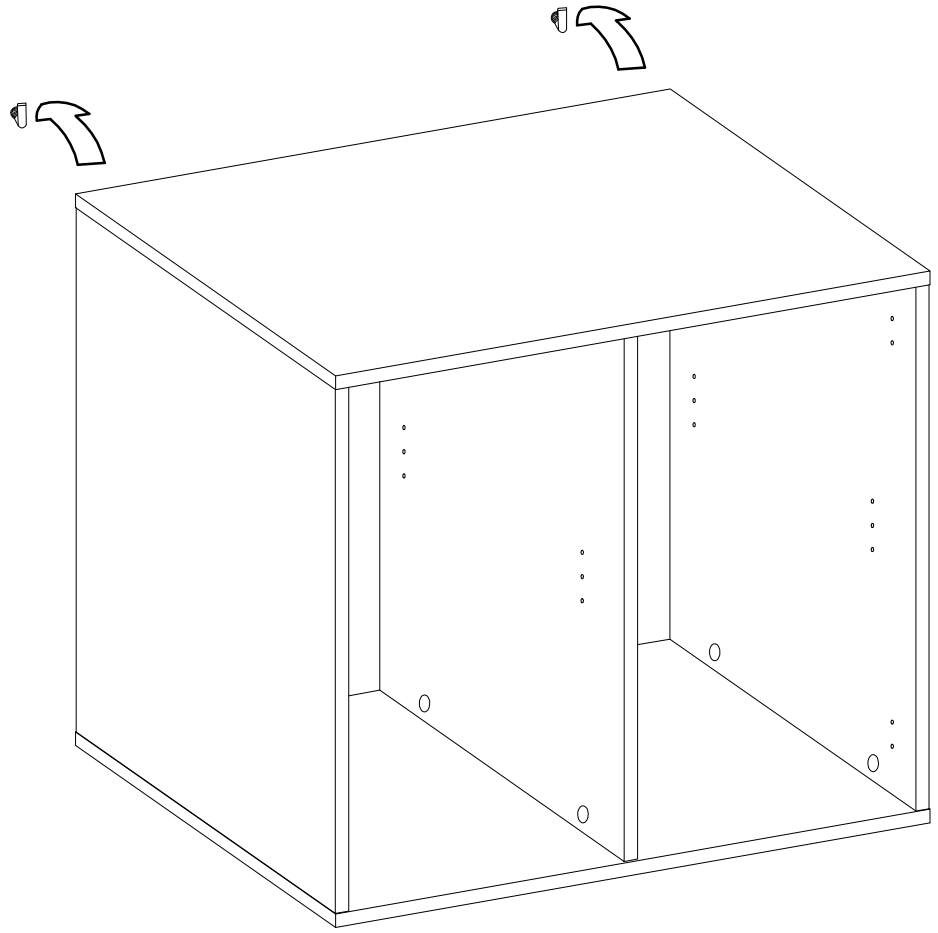
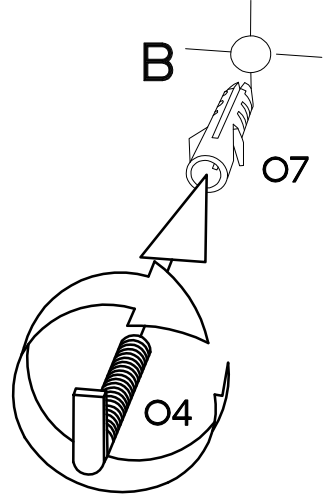
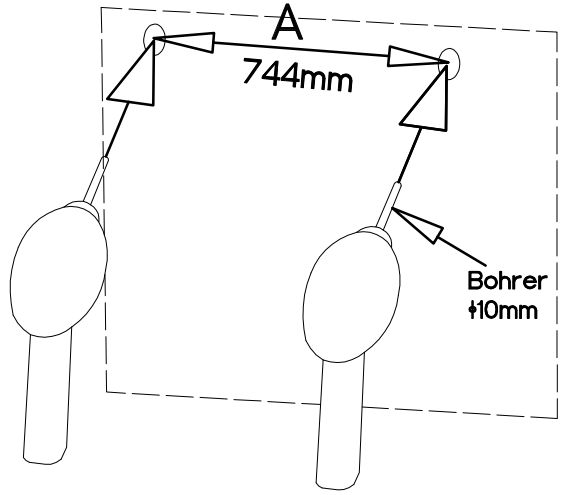
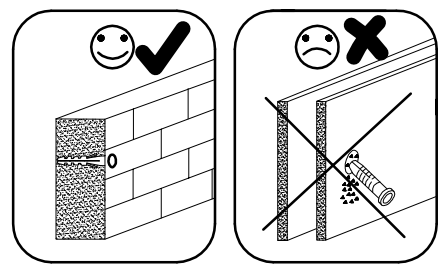
11

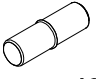
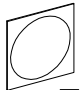


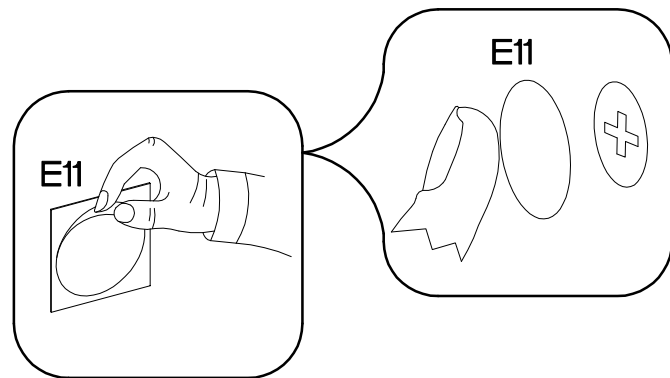
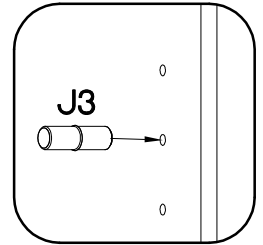
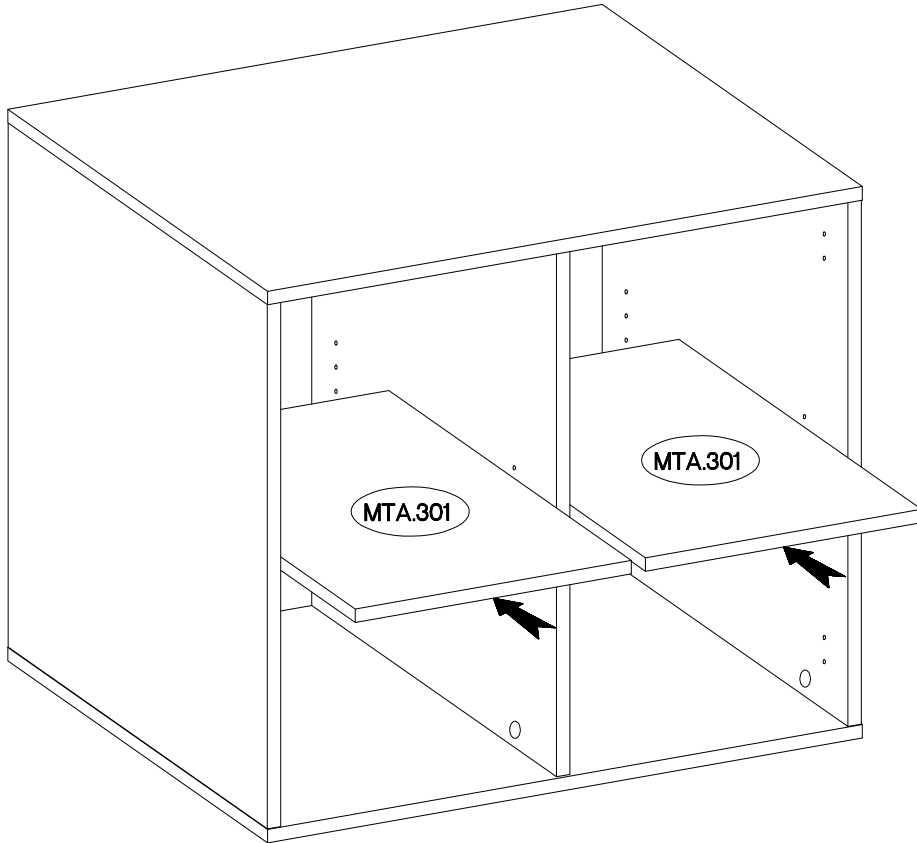
$\varnothing 3.0 \times 20 \text{mm}$  P7 5	 L2 5	 L 10
--	---	---



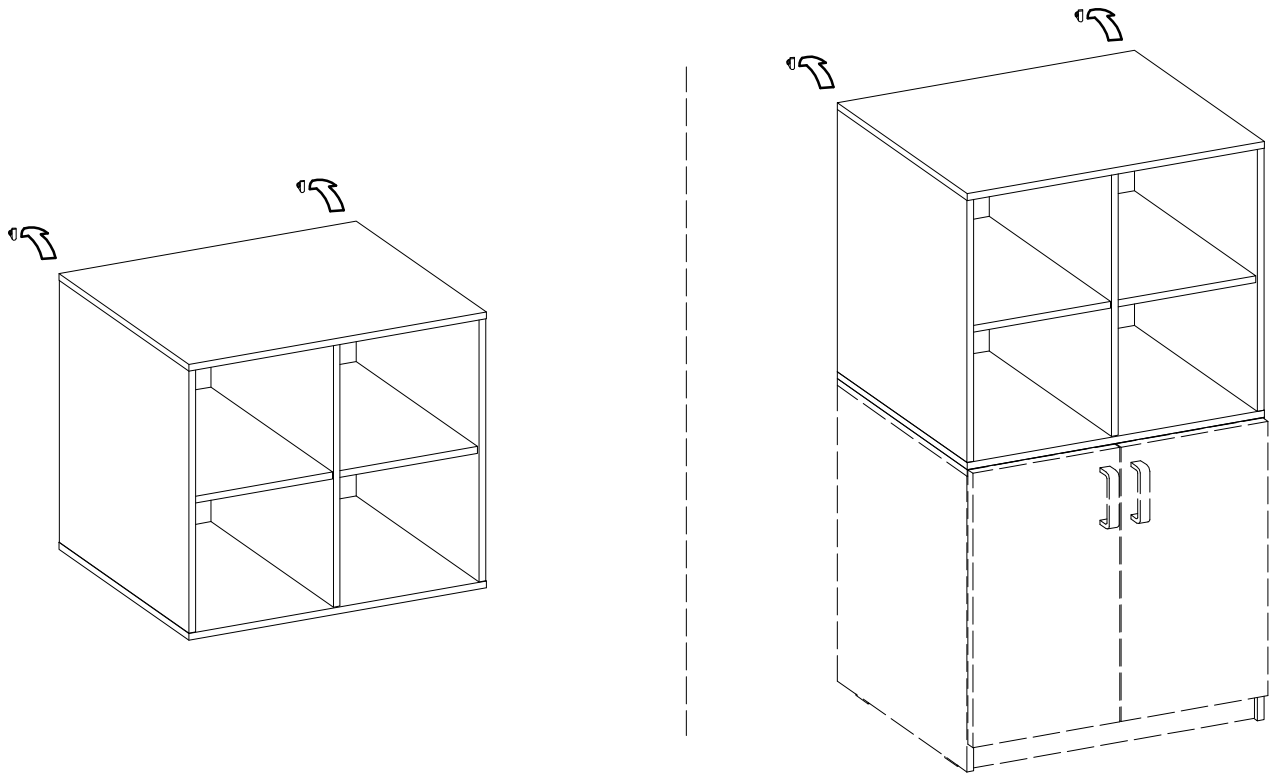
<p>Ø10x50mm O7</p>	<p>6,5/68mm O4</p>	<p>L K11</p>	<p>R K12</p>
2	2	1	1



$\pm 5/16\text{mm}$  J3 8	$\pm 20$  E11 12
--	---



15



16

