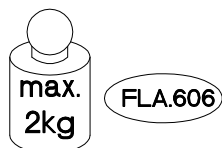
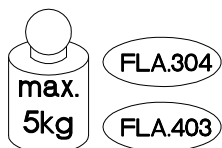
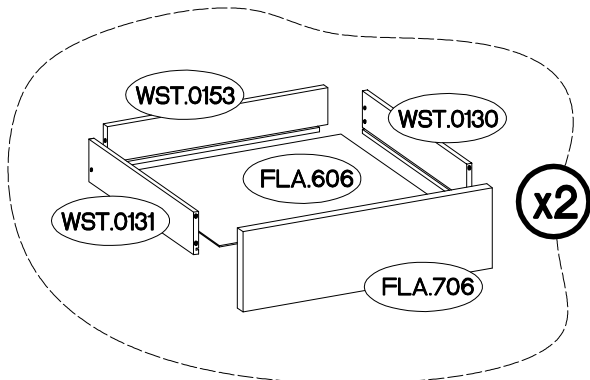
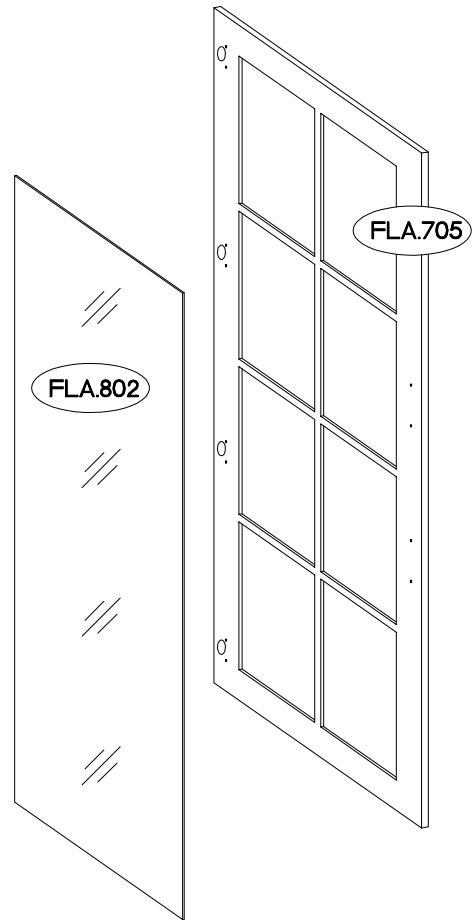
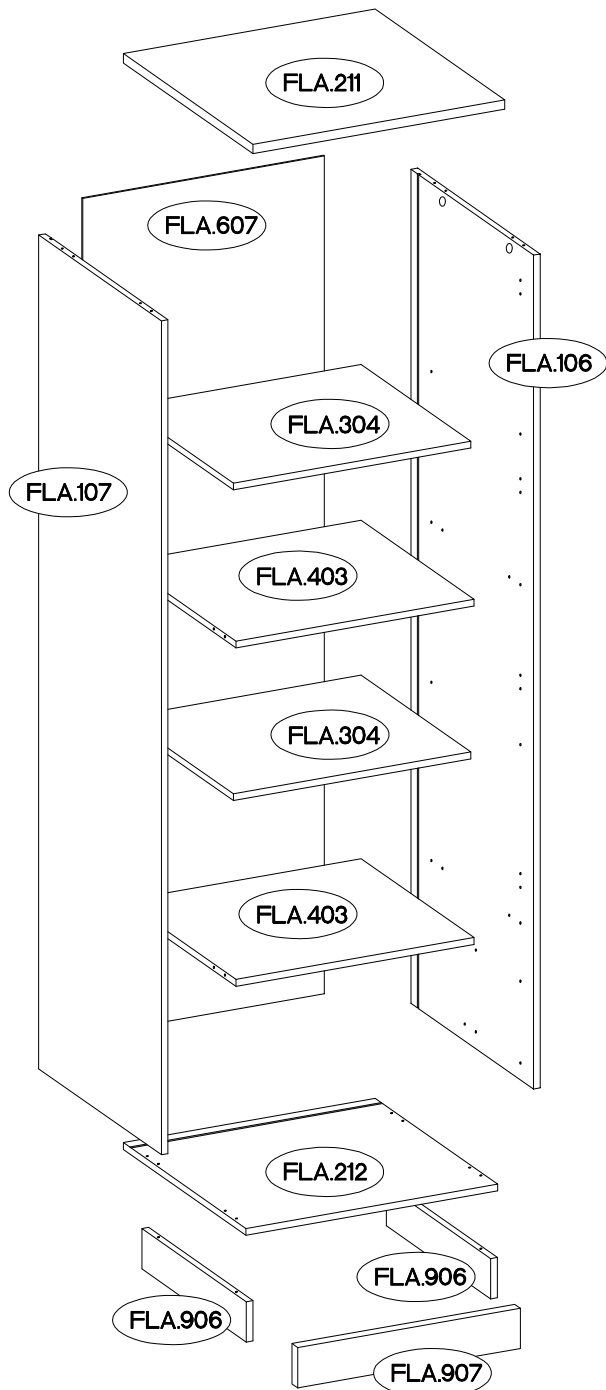


 +8x30mm A	 6,4 x 50mm B	 +6x42mm B2	
28	4	4	
 E	 E1	 6.5x48x16 F22	
12	4	4	
 +5/16mm J3	 J8	 L	 L19
8	12	14	1
 +3.5x13mm P5	 +3.0x20mm P7	 +3.0x16mm P11	 +5.0x60mm P12
10	14-15	12	1

 +15/12mm C	 +12/10mm C5	 L=20mm D2		
12	4	16		
 +35/0mm HG	 L=300mm L R	 I14		
4	2			
 +6.3x13mm M2	 O	 O1	 +10x50mm O7	 +4.0x16mm P1
12	1	1	1	6


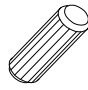

 S	 T3	 M4x22mm U
3	3	6

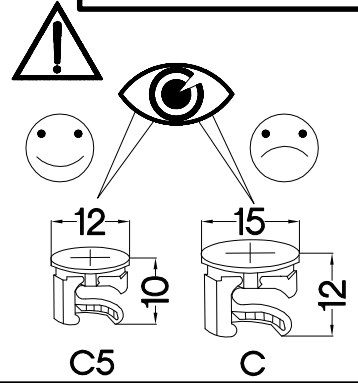
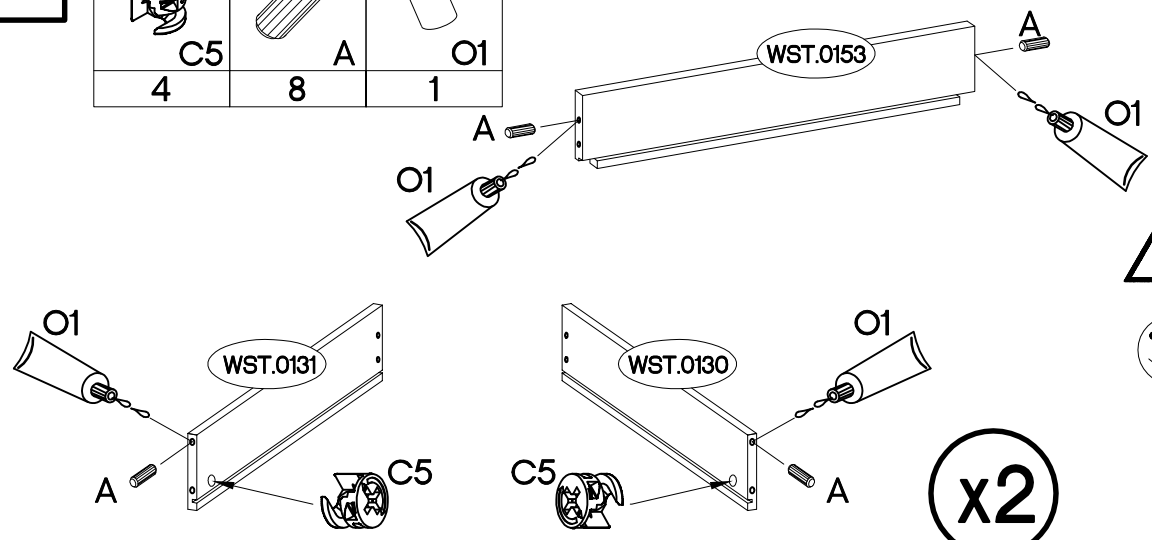
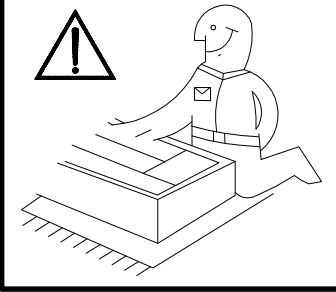


1/2	FLA.211	602x372x22
	FLA.212	602x352x16
	FLA.304 x2	567x315x16
	FLA.403 x2	568x324x16
	FLA.606 x2	296x537x2.5
	FLA.906 x2	300x95x16
	FLA.907	532x95x16
	WST.0130 x2	300x100x12
	WST.0131 x2	300x100x12
WST.0153 x2	527x100x12	

2/2	FLA.106	1962x352x16
	FLA.107	1962x352x16
	FLA.607	1971x577x2.5
	FLA.705	1588x596x16
	FLA.706 x2	189x596x16
	FLA.802	1474x482x4



1

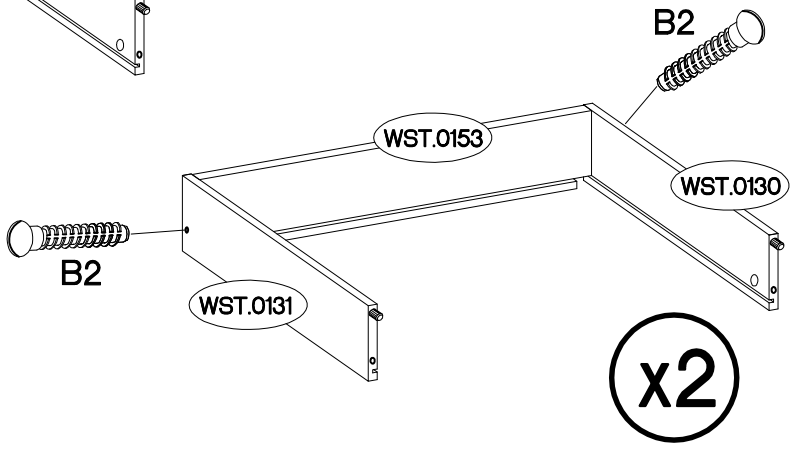
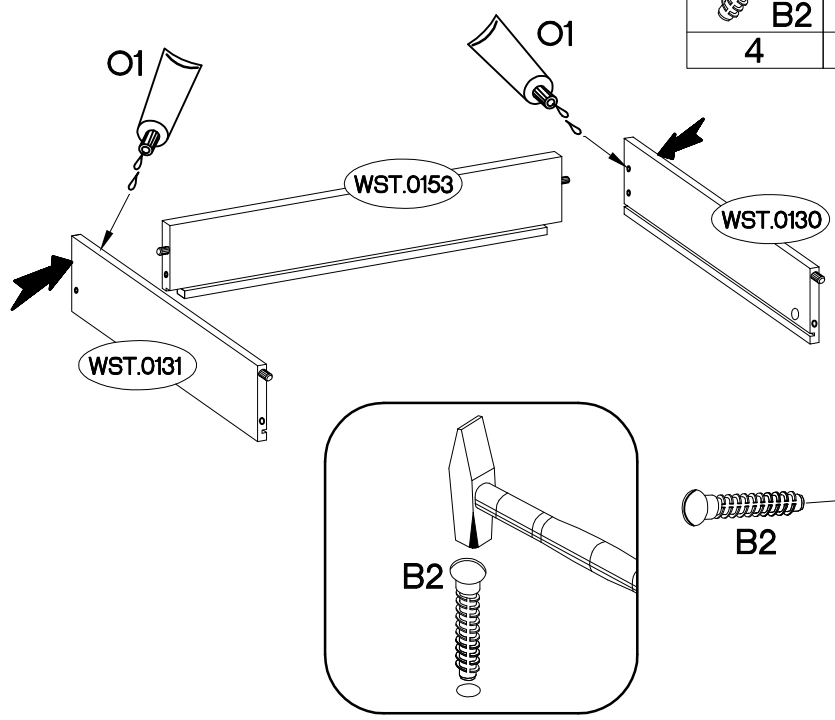
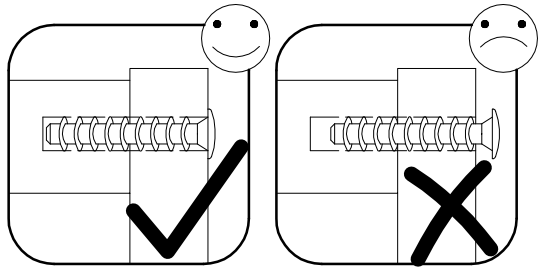
±12/10mm  C5 4	±8x30mm  A 8	 O1 1
---	---	---



x2


2

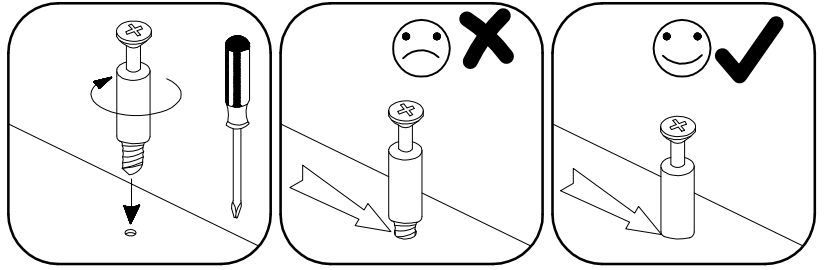
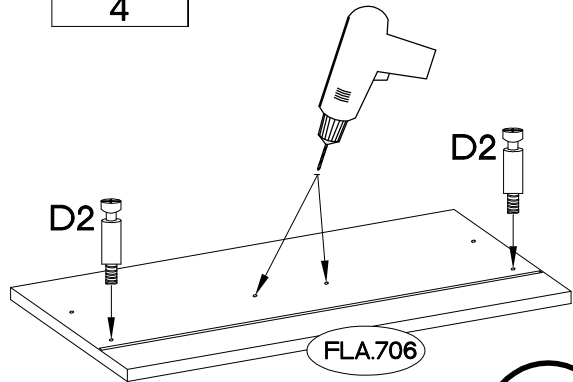
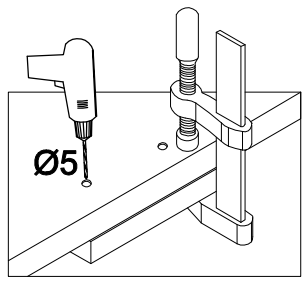
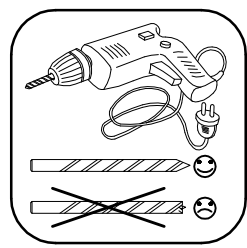
±6x42mm  B2 4	 O1 1
---	--



x2

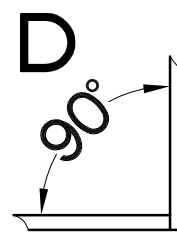
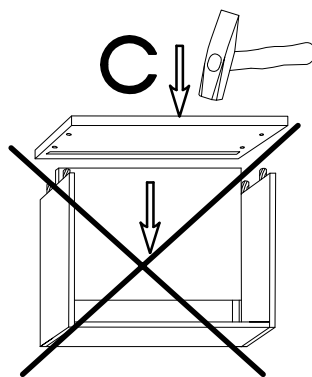
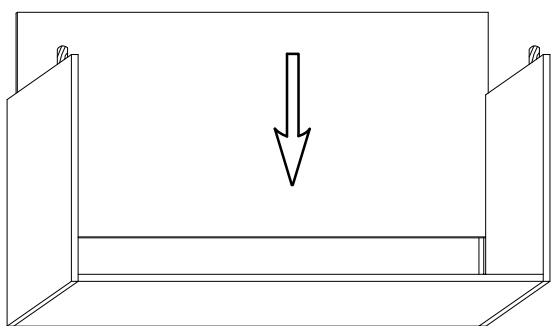
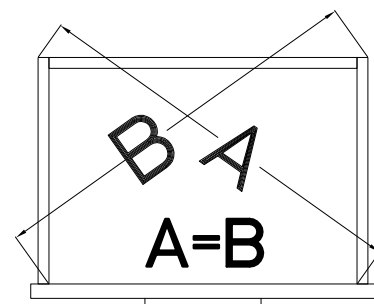
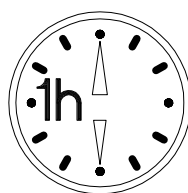
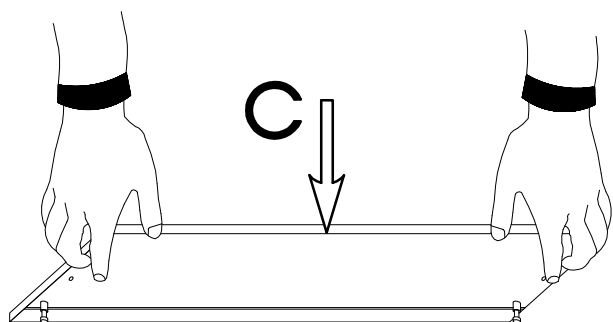
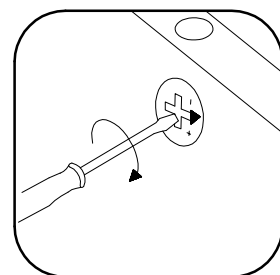
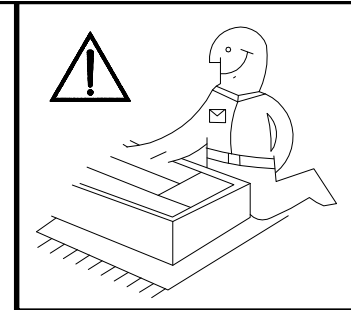
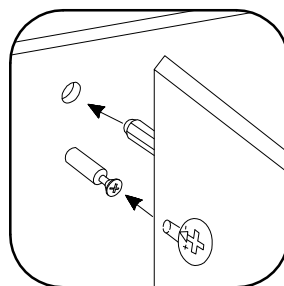
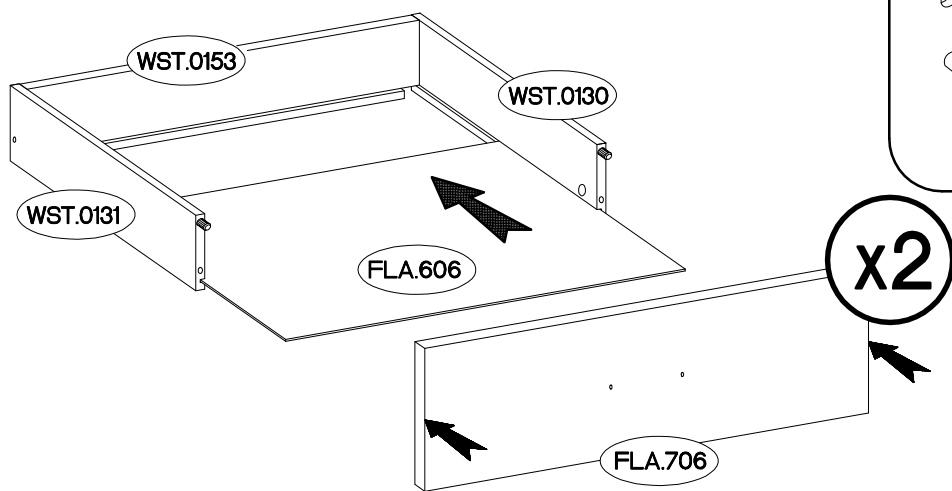
3

L=20mm  D2 4
--

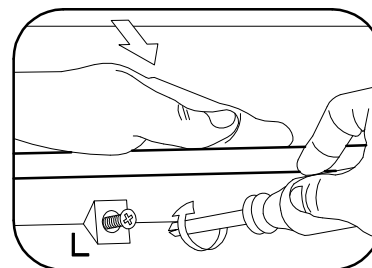
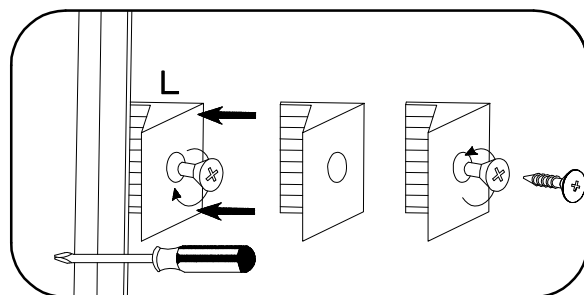
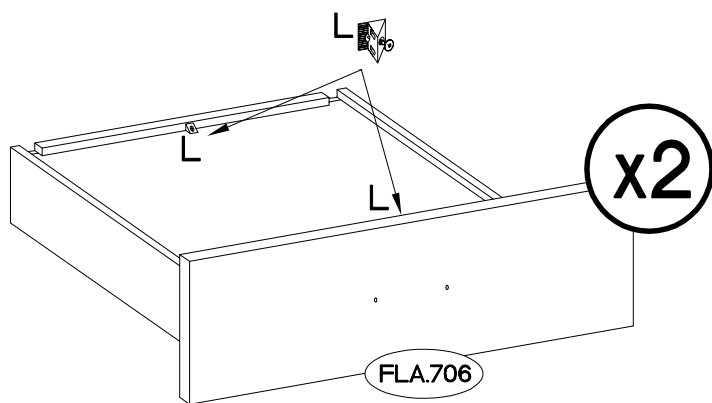
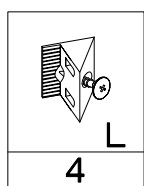


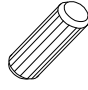

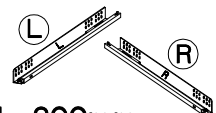


x2

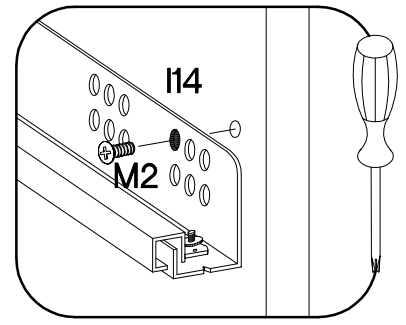
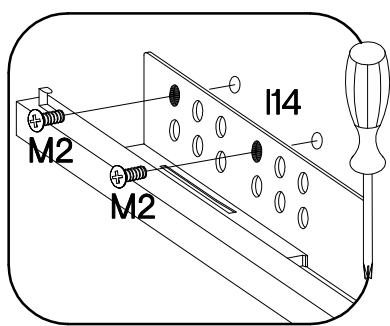
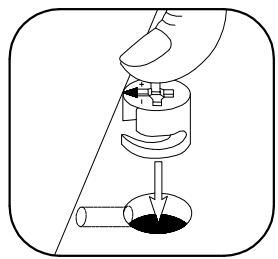
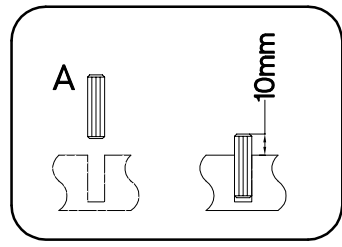
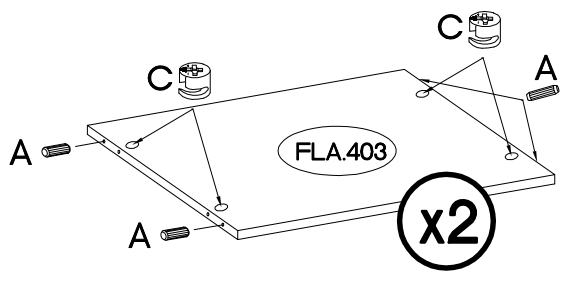
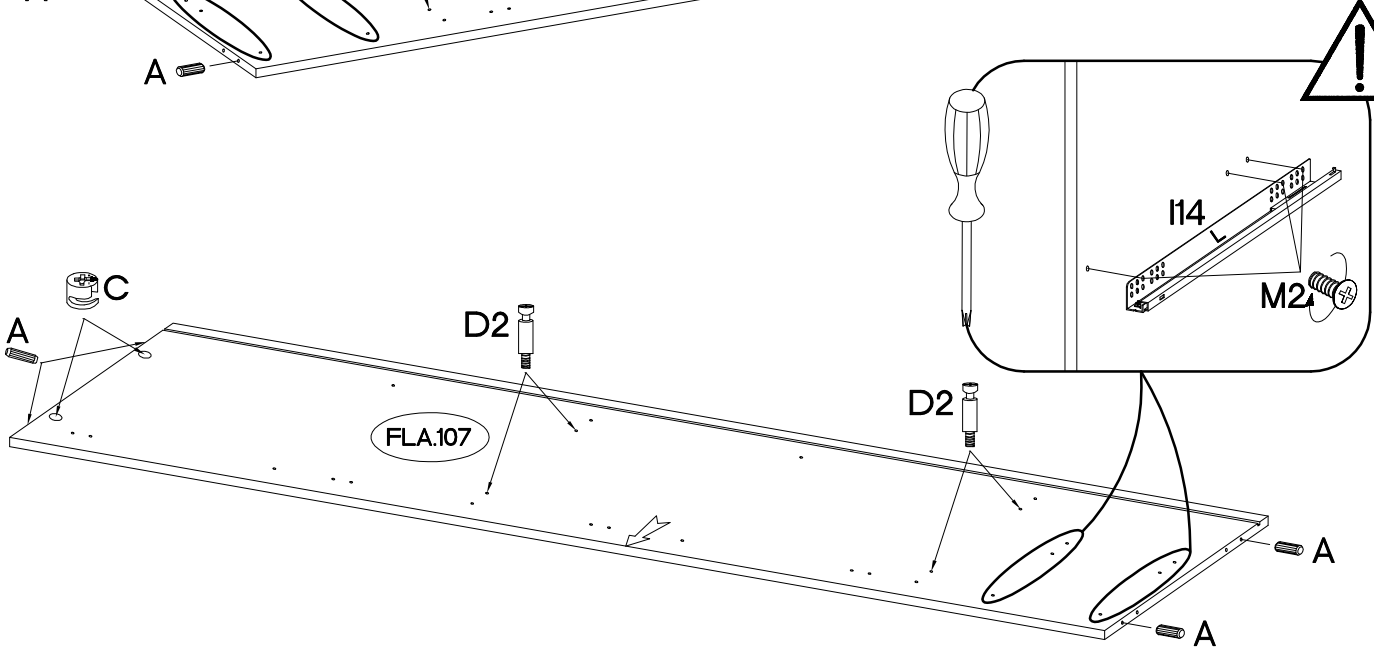
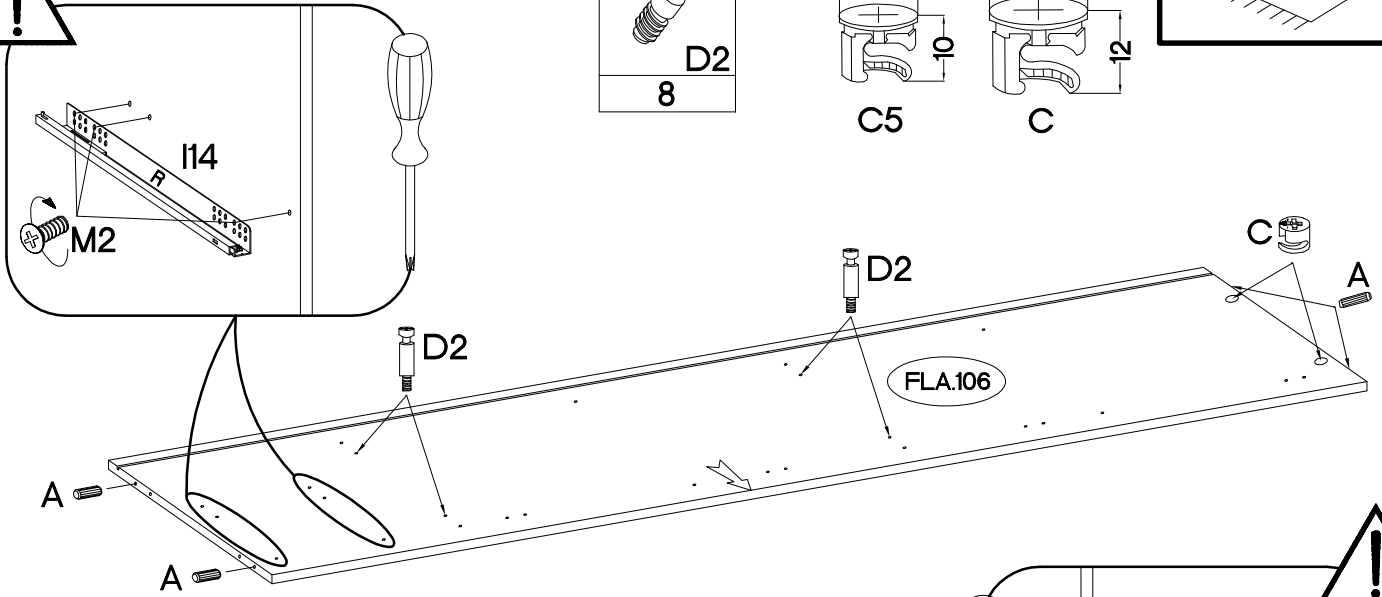
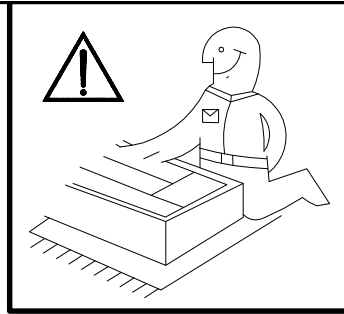
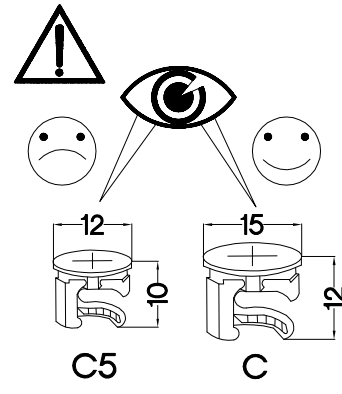
4



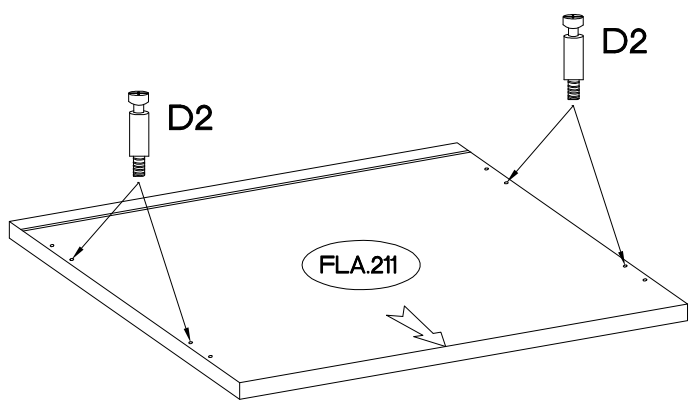
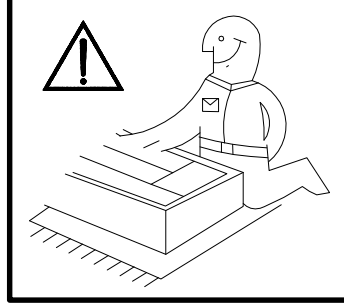
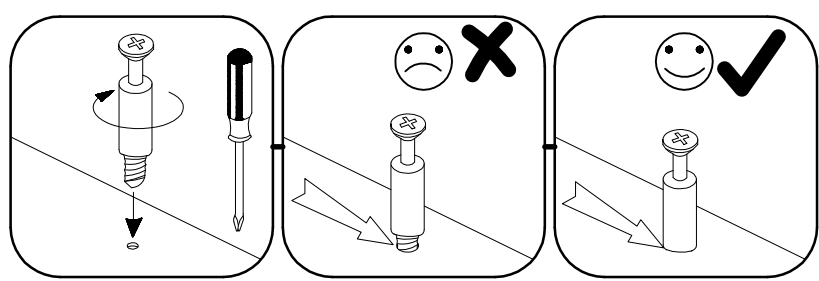
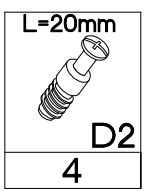
5



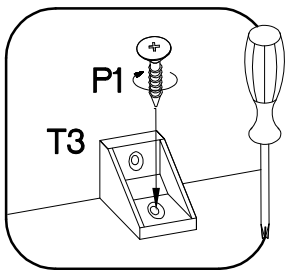
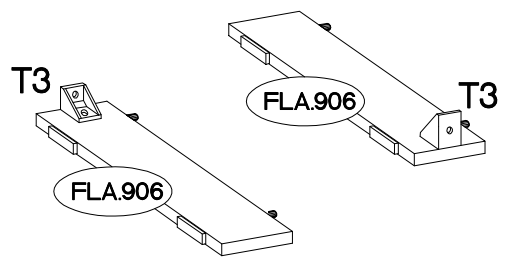
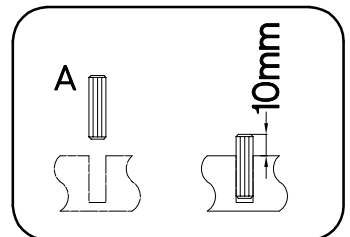
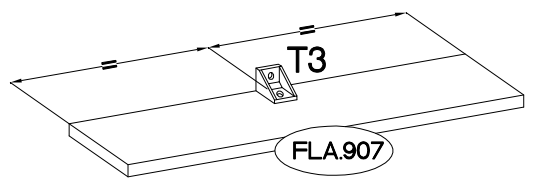
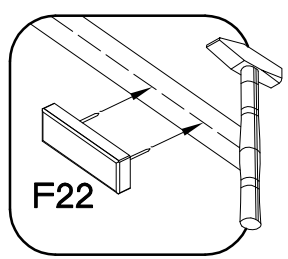
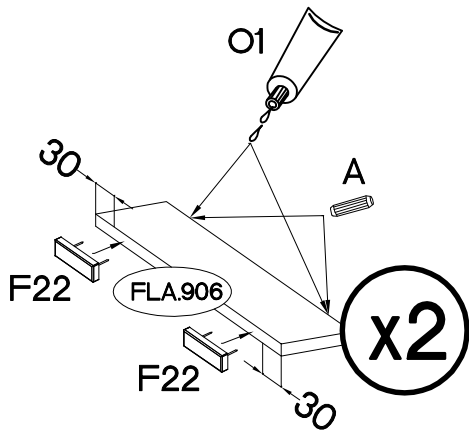
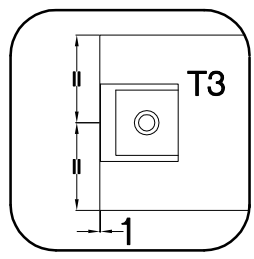
$\pm 8 \times 30 \text{mm}$  A 16	$\pm 15/12 \text{mm}$  C 12	$L=300 \text{mm}$  I14 2	$\pm 6.3 \times 13 \text{mm}$  M2 12
			$L=20 \text{mm}$  D2 8



7

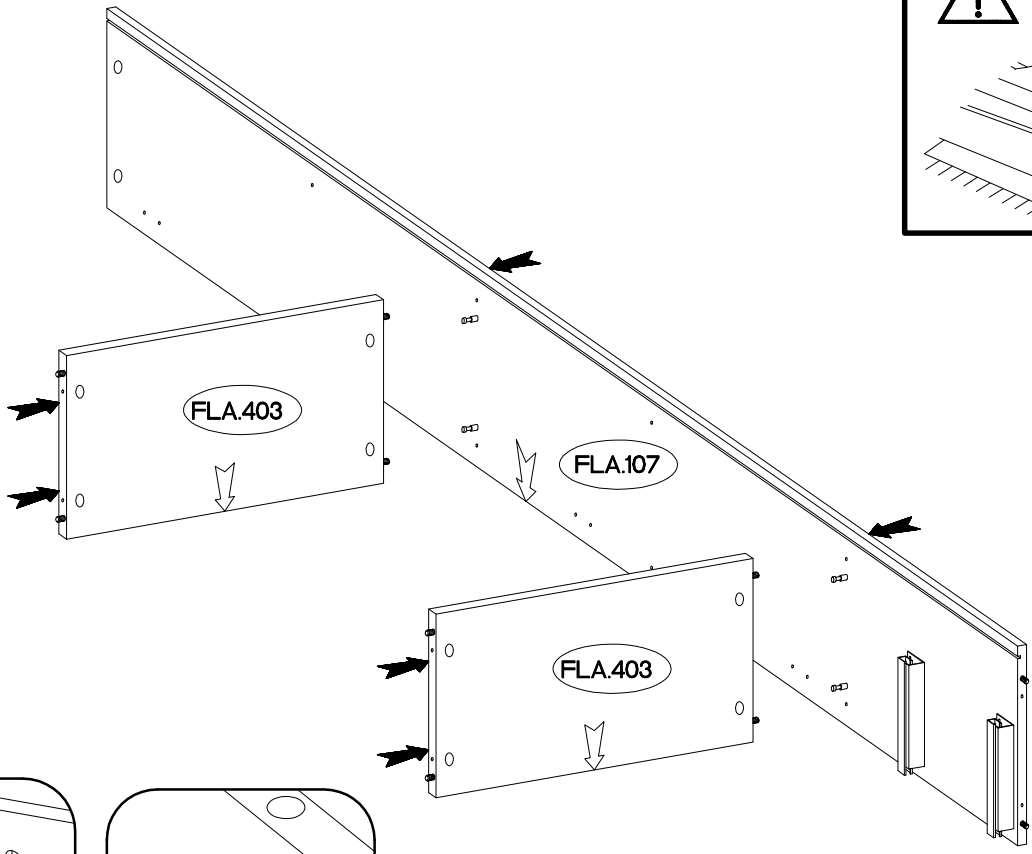
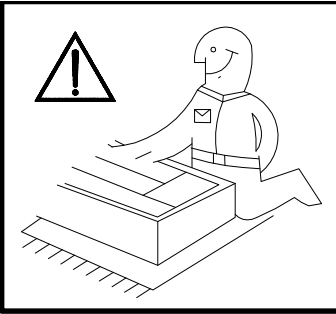


8

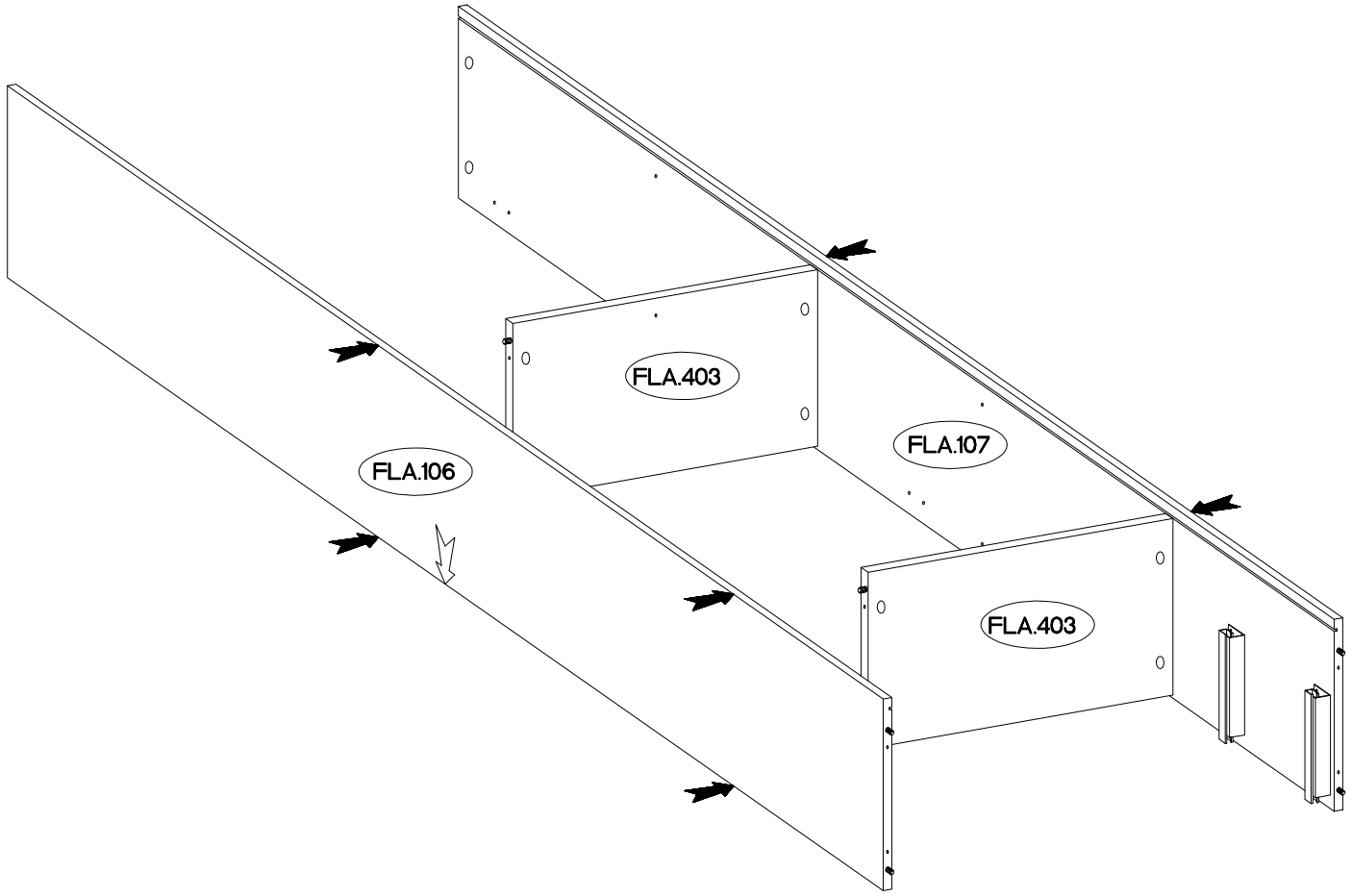
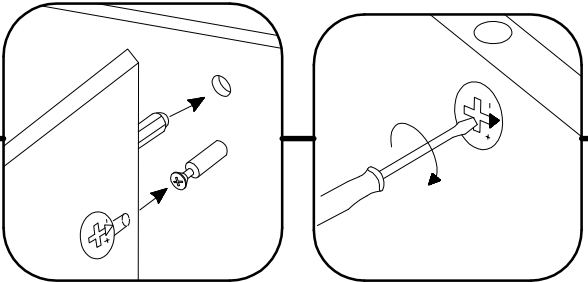


T3	P1	F22	O1	A
3	3	4	1	4

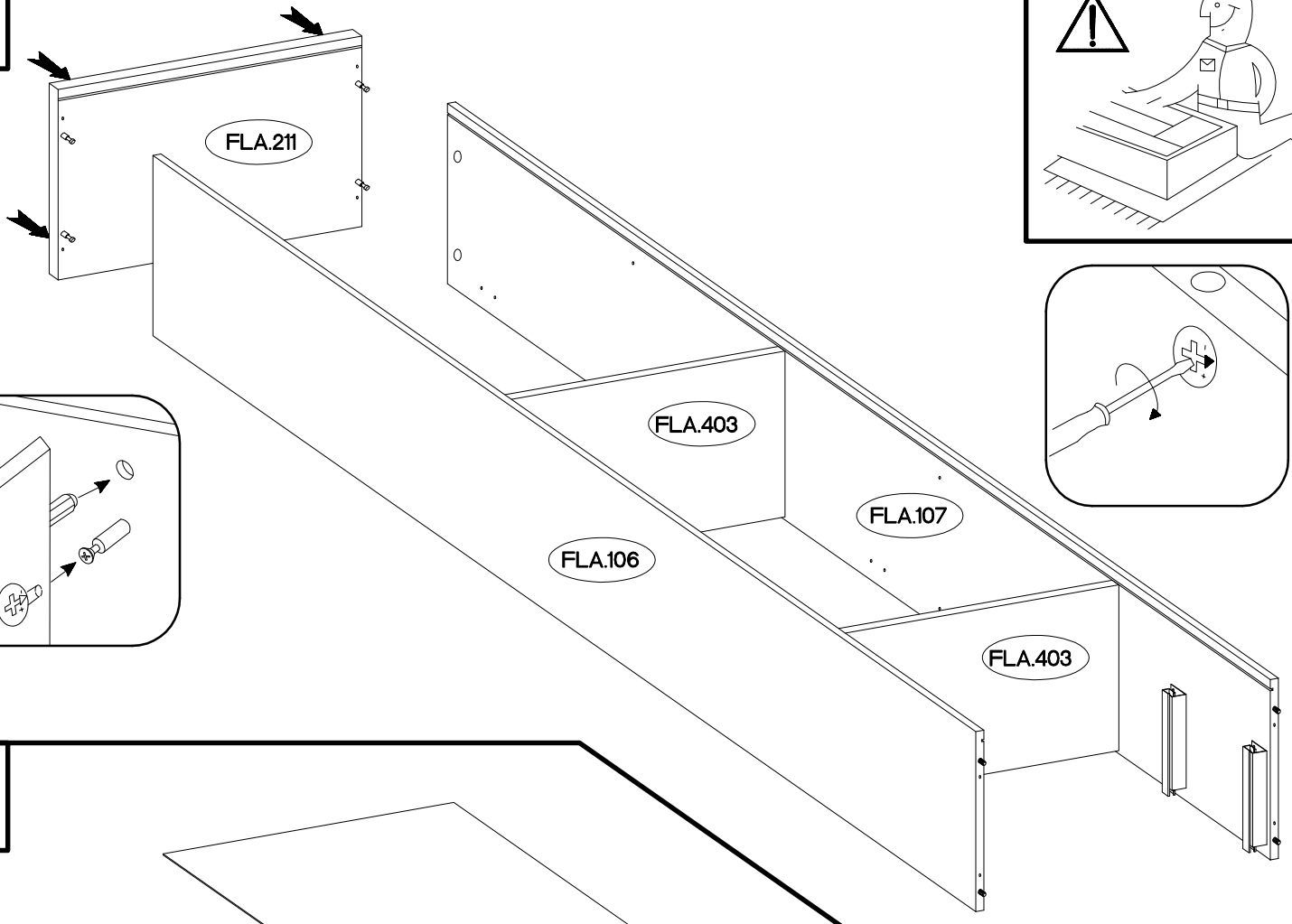
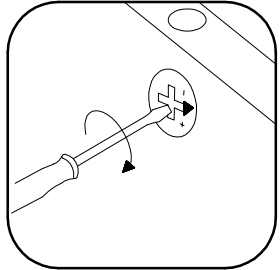
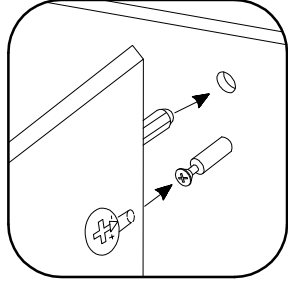
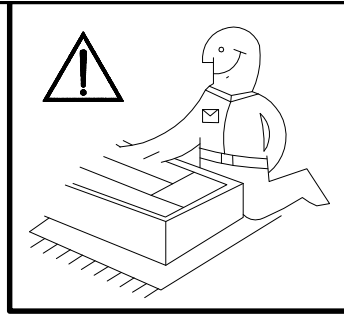
9



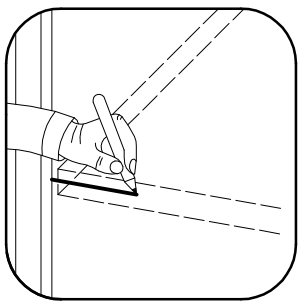
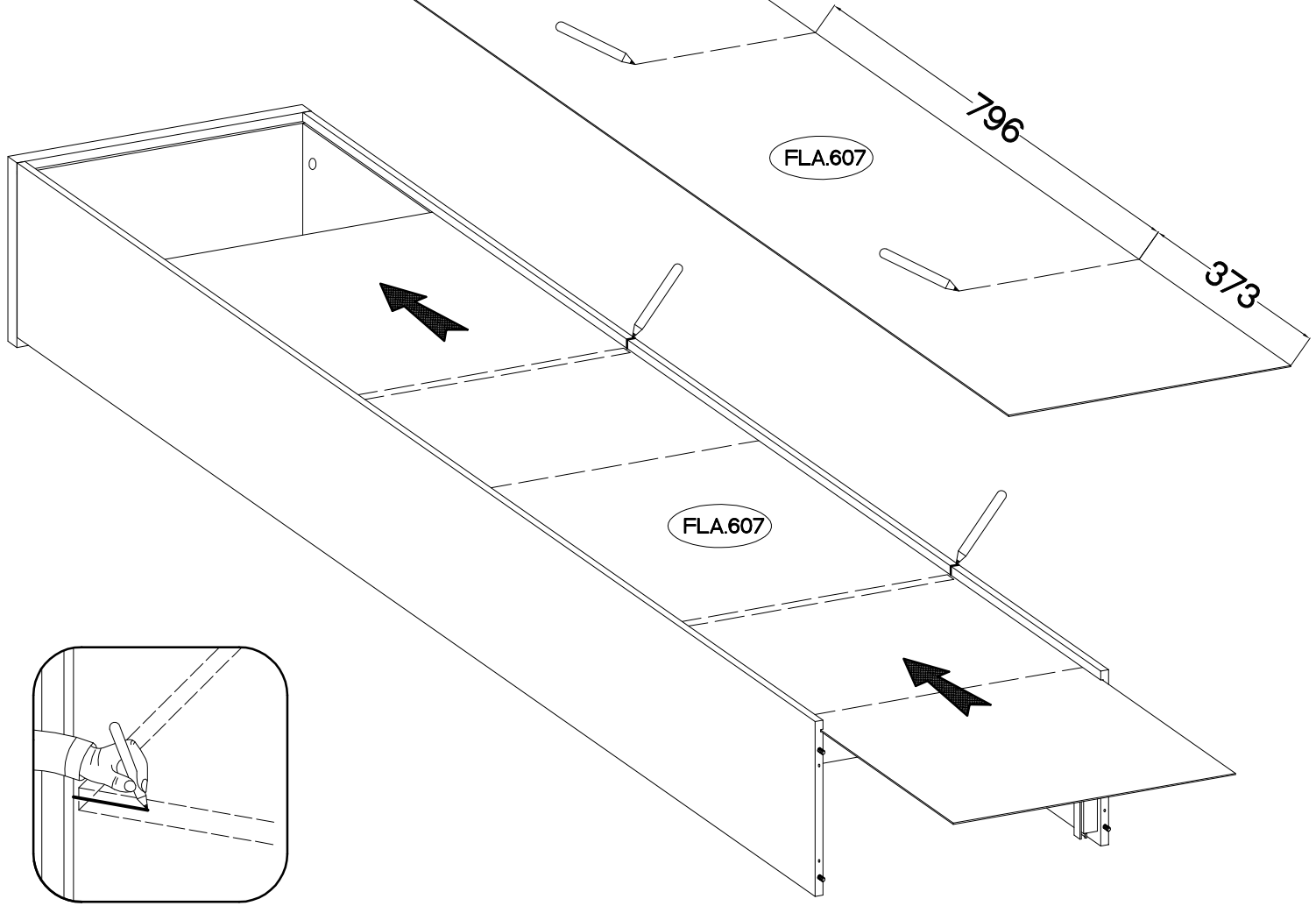
10



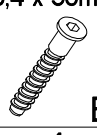
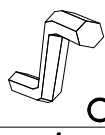

11

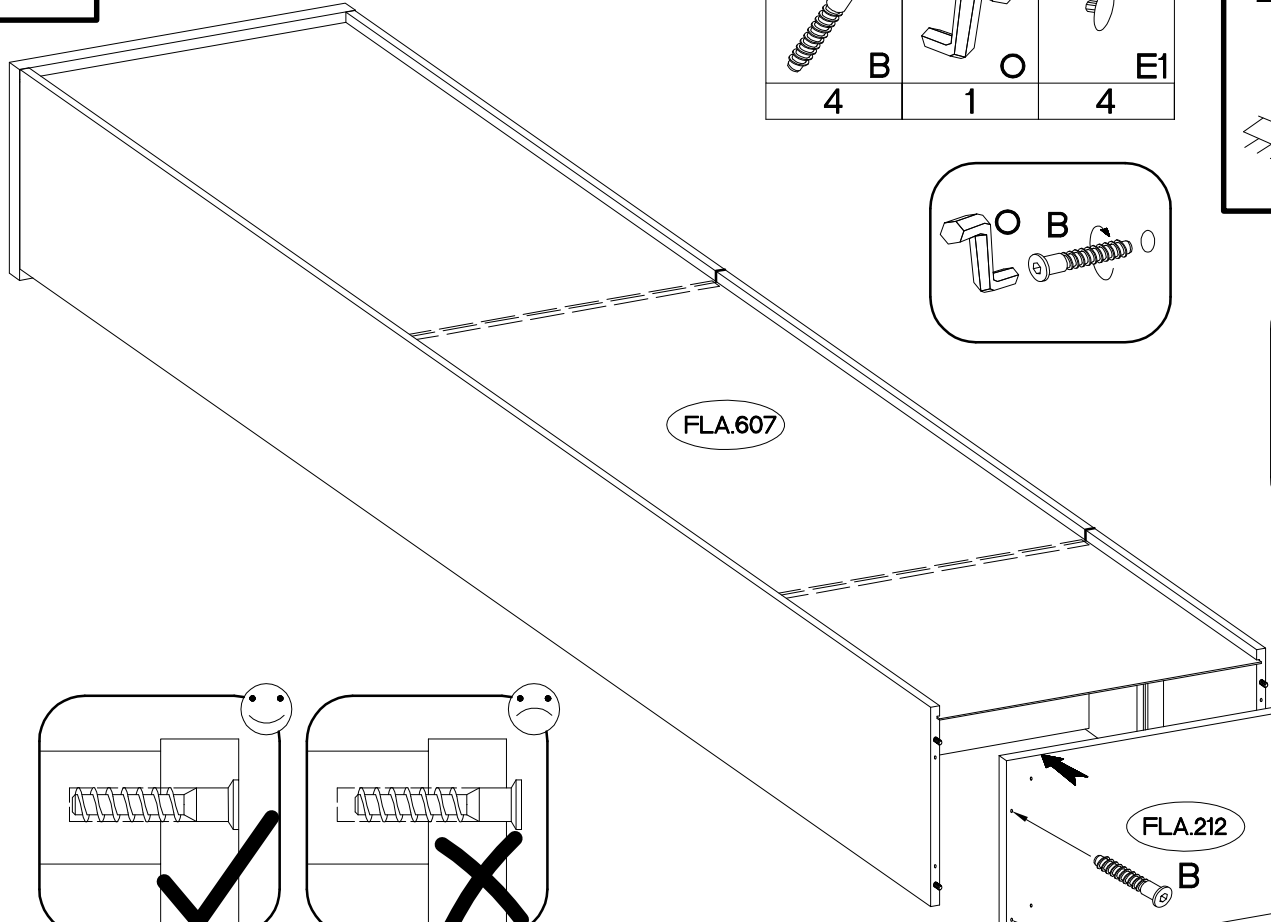
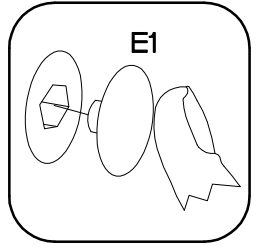
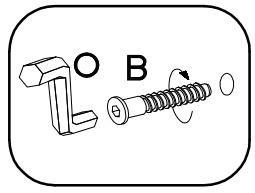
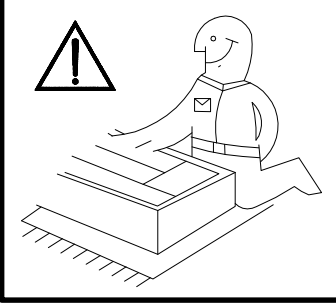


12



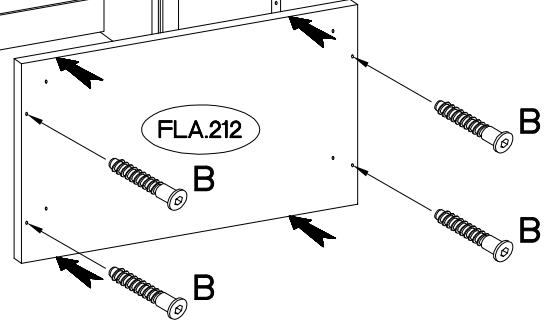
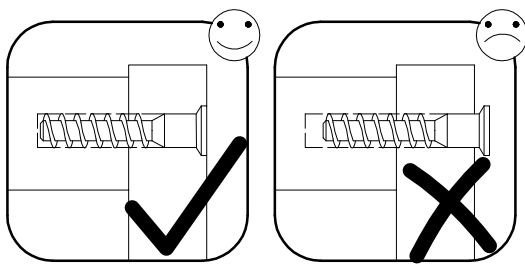
13

6,4 x 50mm		
		
B	O	E1
4	1	4

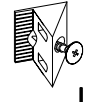


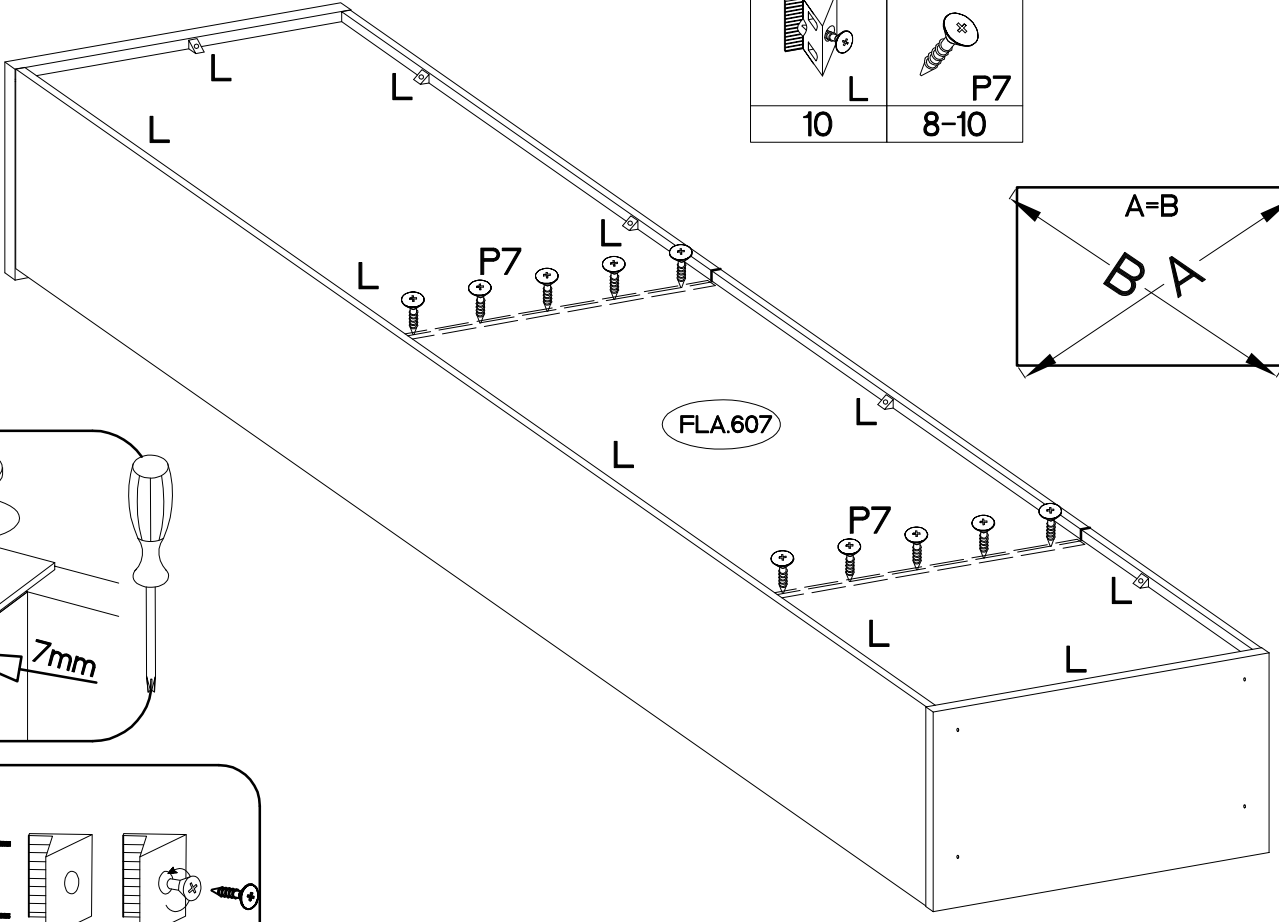
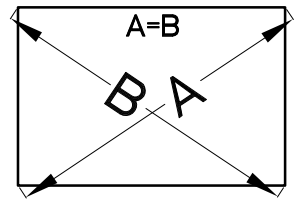
FLA.607

FLA.212

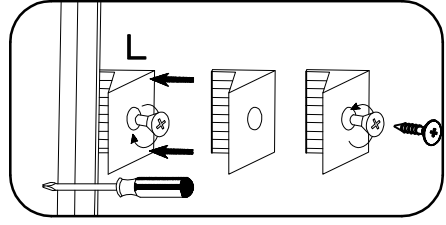
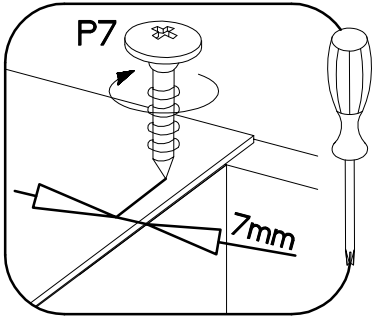




14

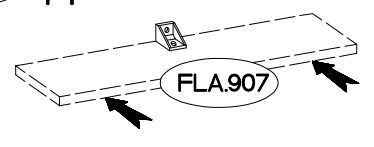
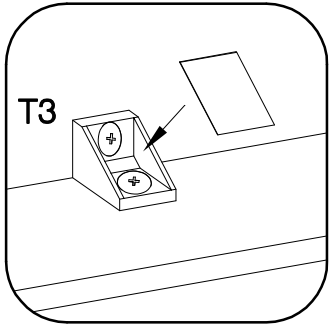
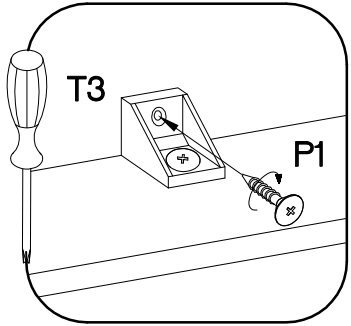
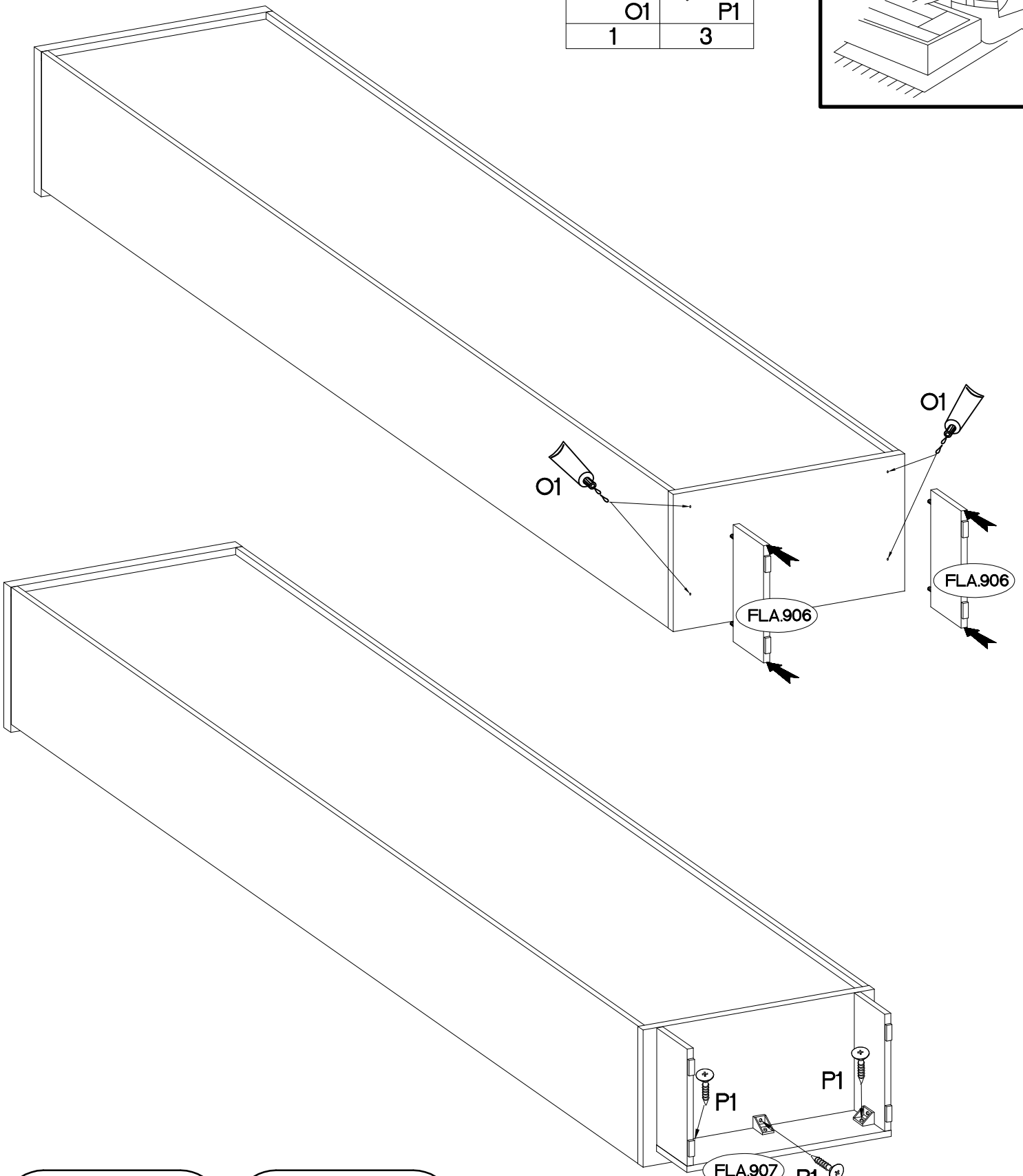
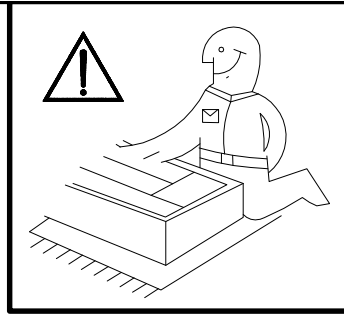
	$\pm 3.0 \times 20 \text{mm}$
L	P7
10	8-10

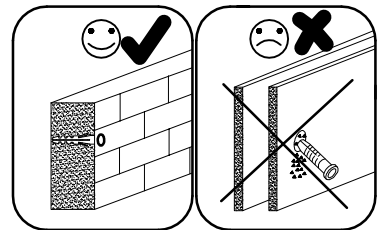
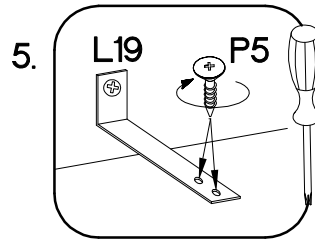
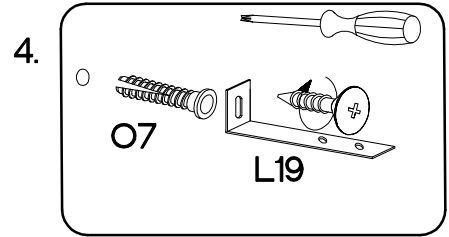
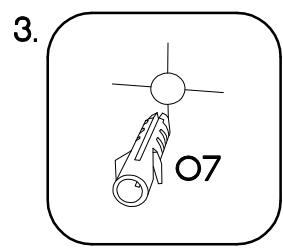
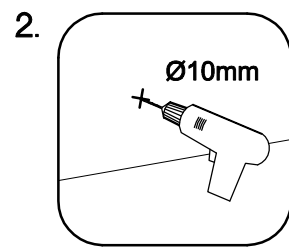
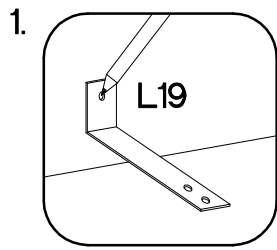
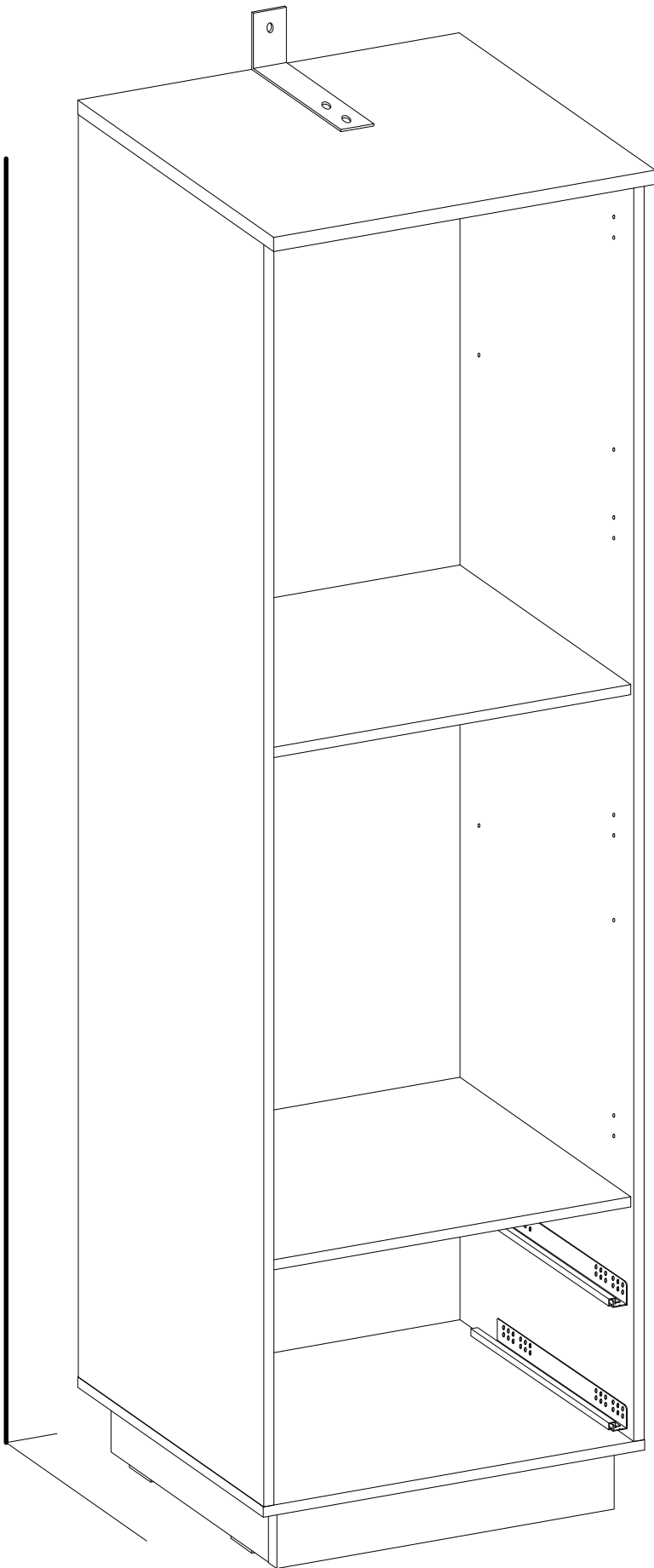


FLA.607

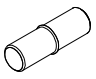



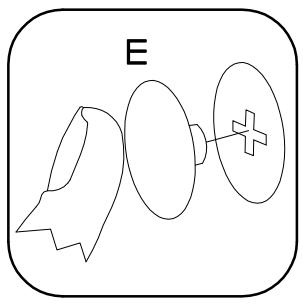
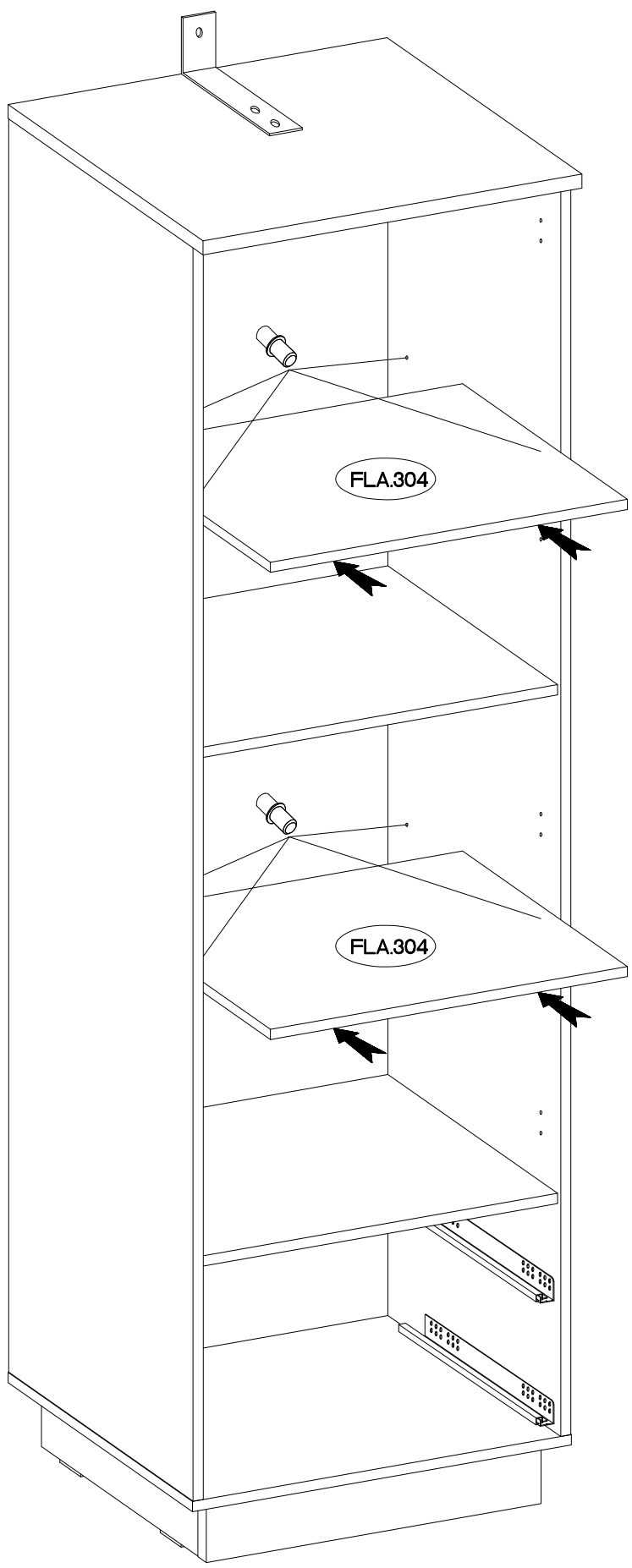
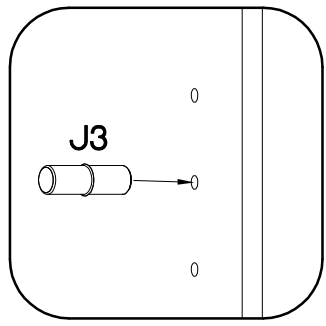
	
O1	P1
1	3



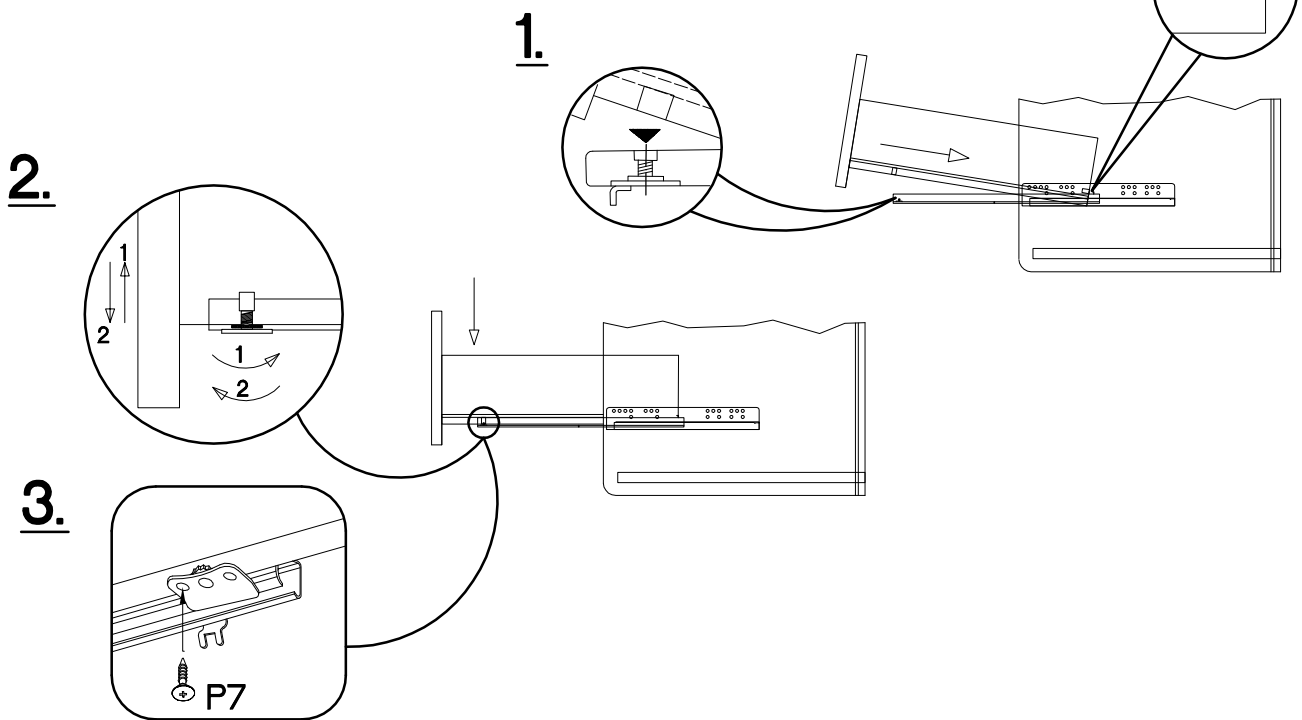
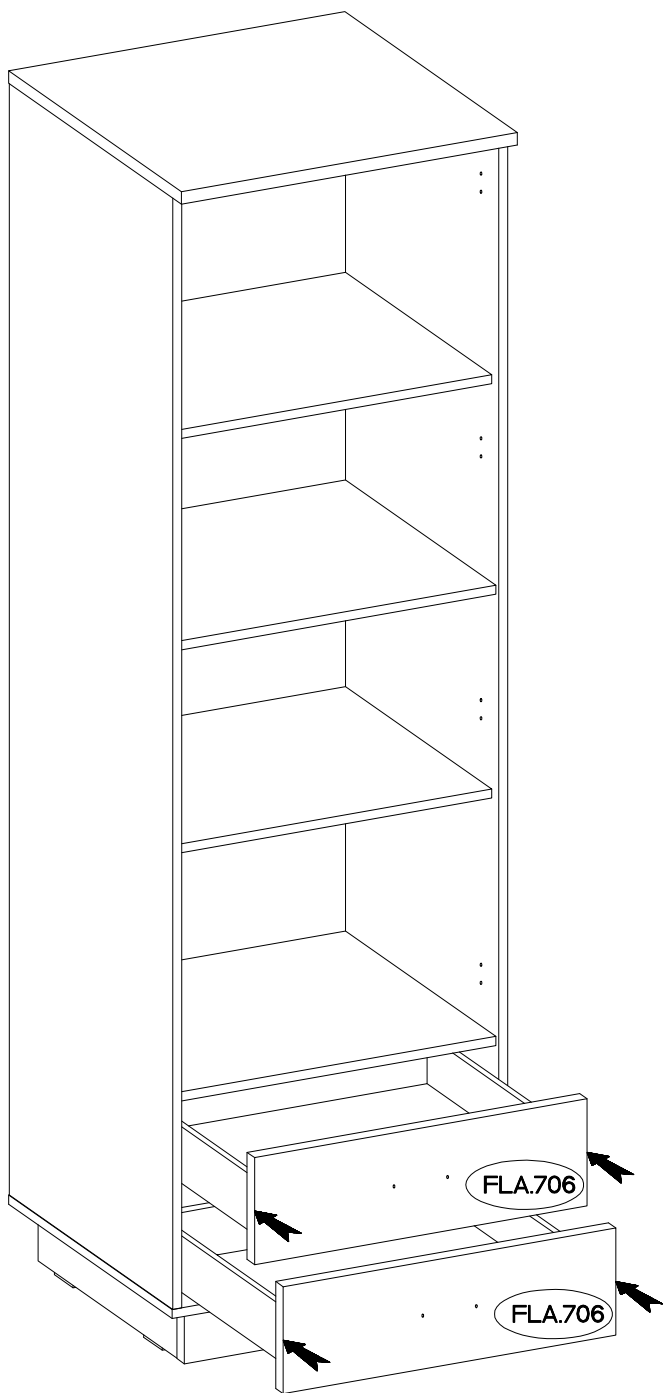


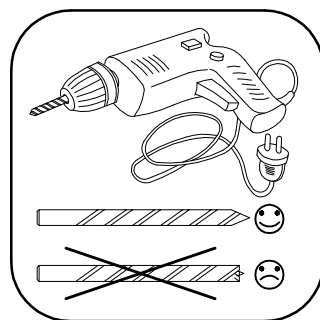
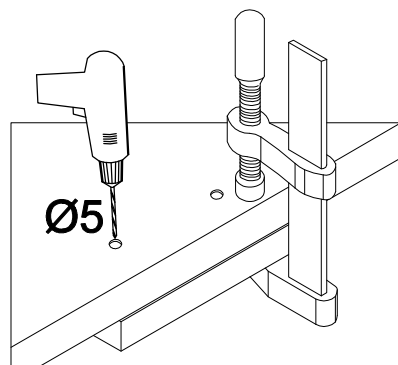
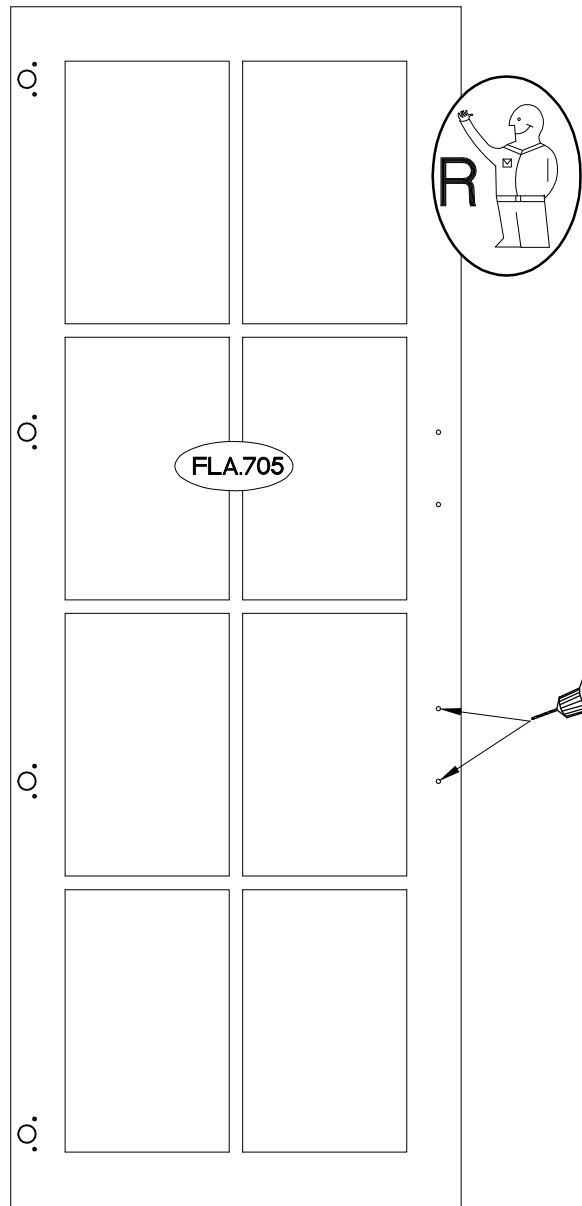
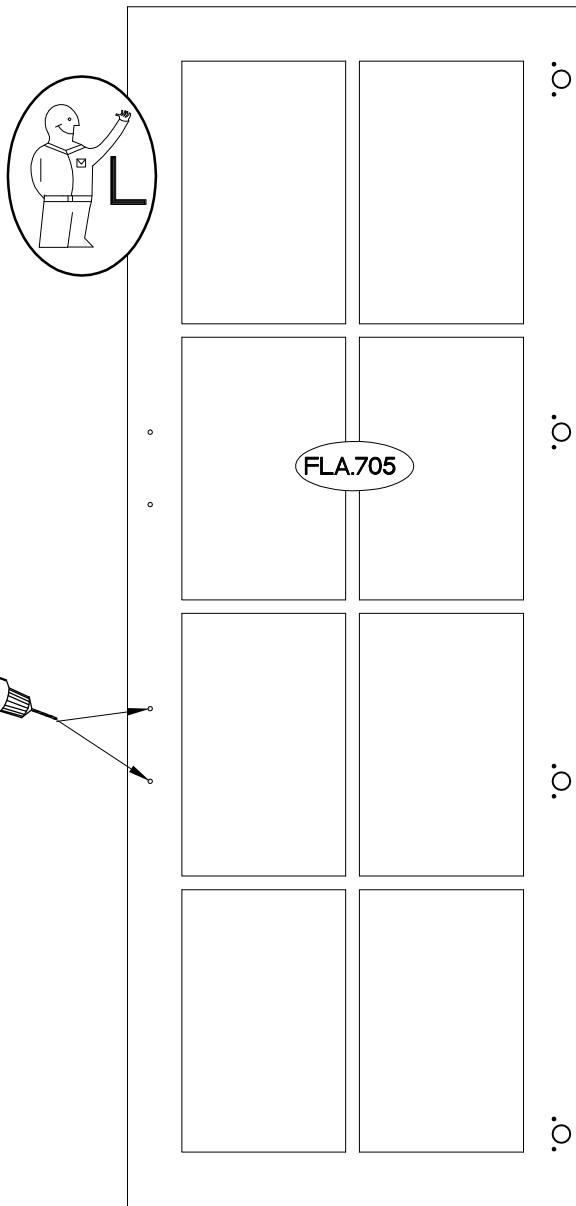
	±3.5x13mm	±5.0x60mm	±10x50mm
L19	P5	P12	O7
1	2	1	1

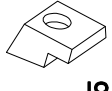

±5/16mm		
	J3	E
8		12

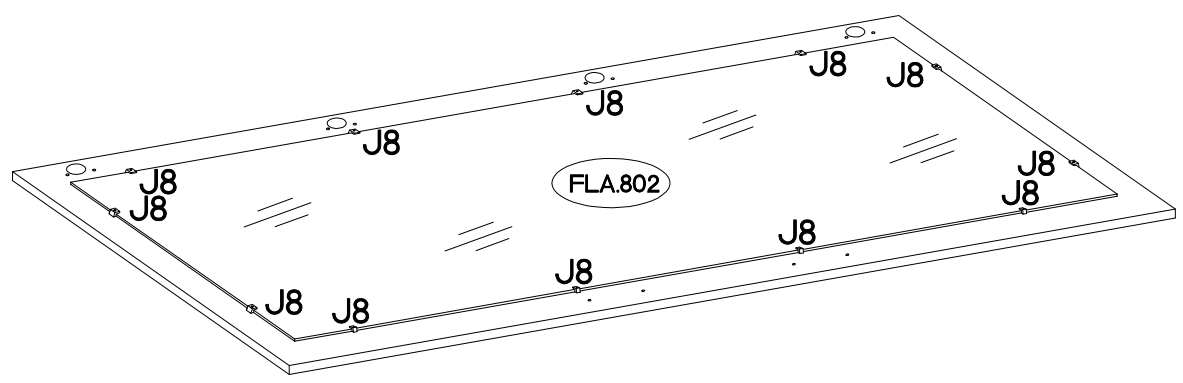
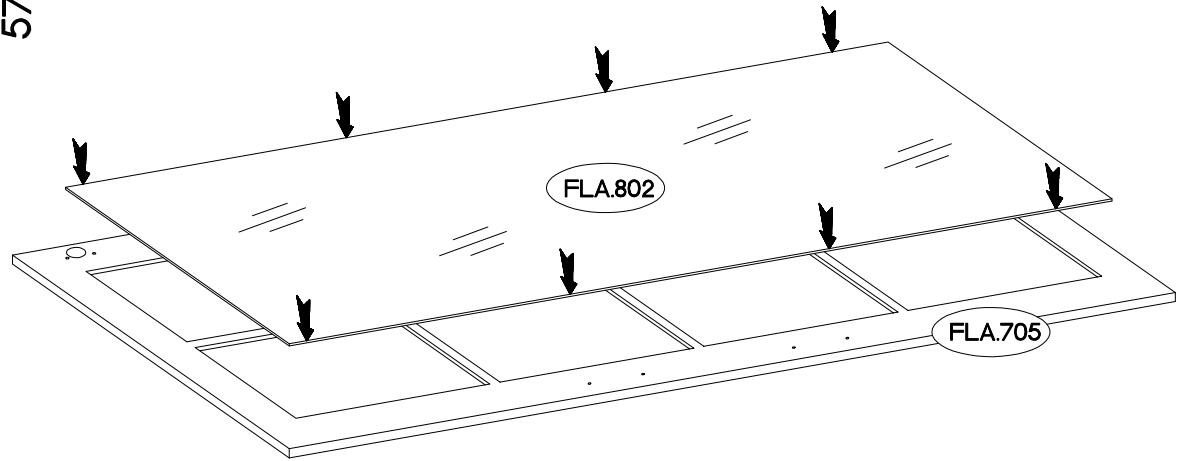
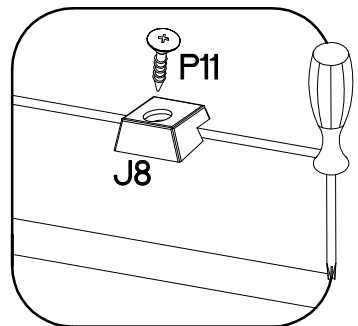
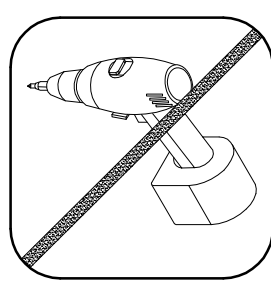
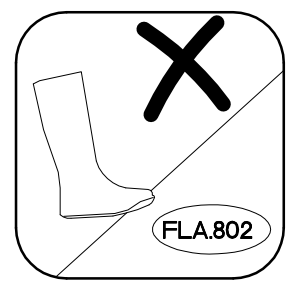
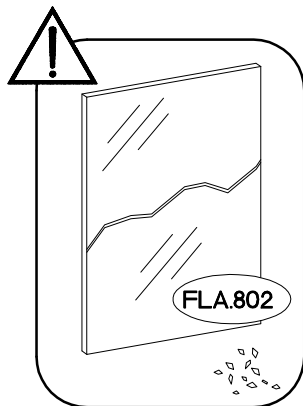
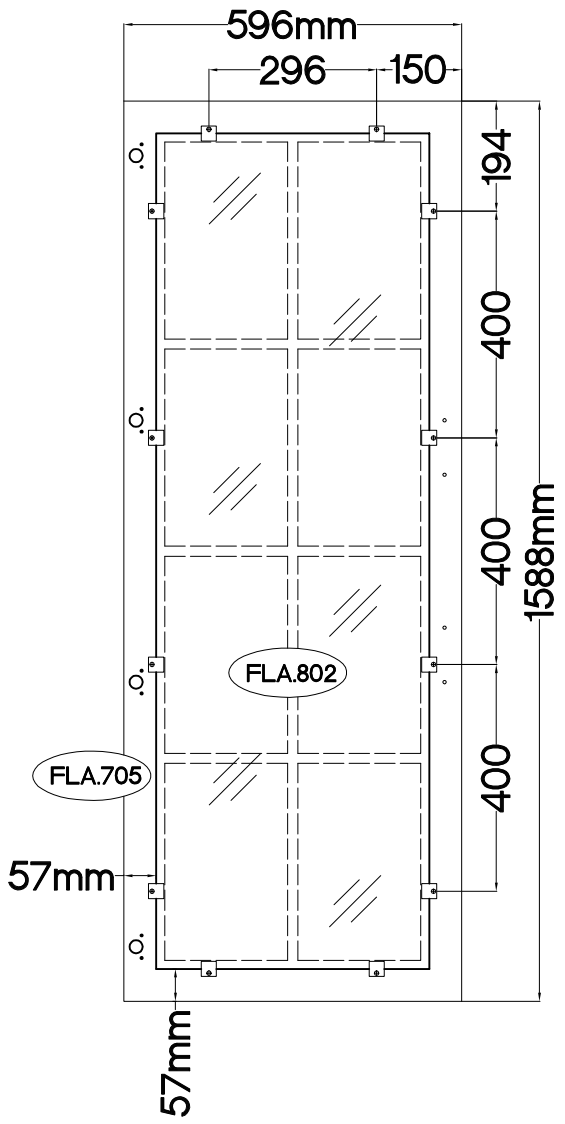
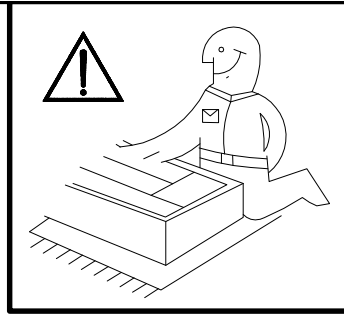


±3.0x20mm
P7
4



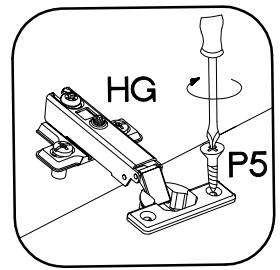
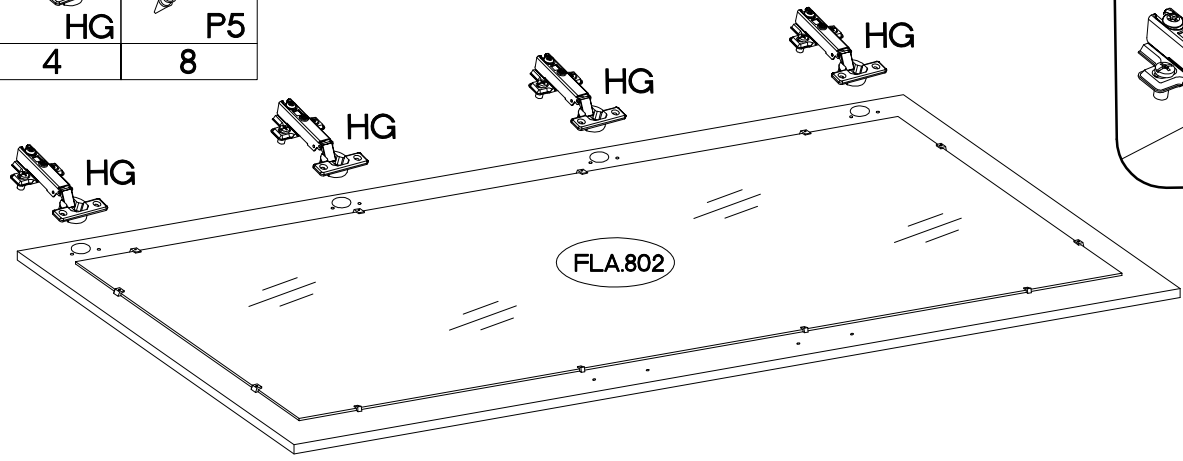


	±3.0x16mm 
J8 12	P11 12



21

±35/0mm	±3.5x13mm
HG	P5
4	8



22

M4x22mm	
	S
U	S
6	3

