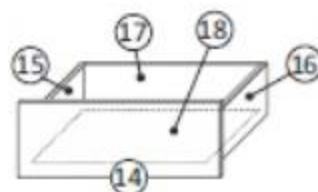
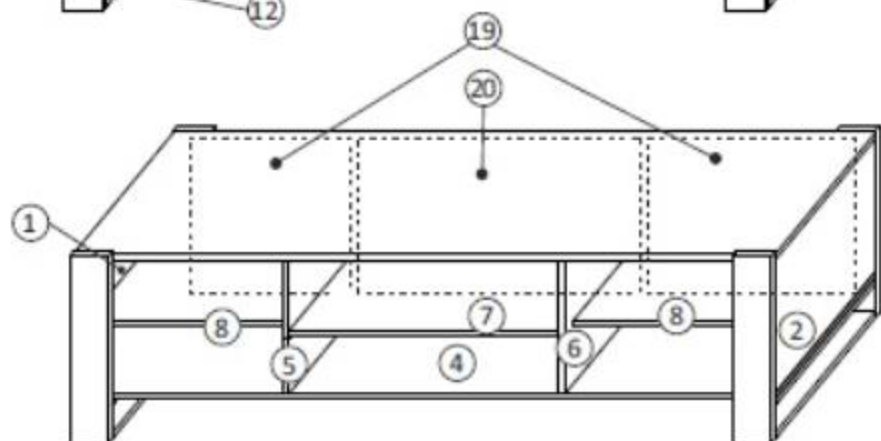
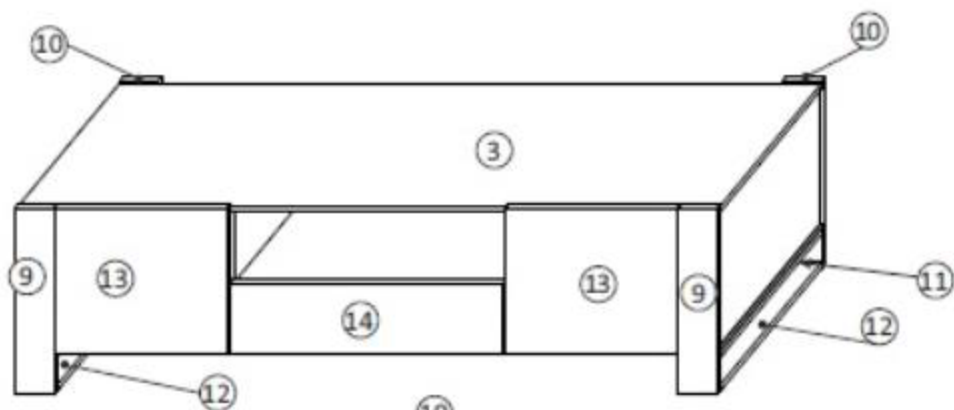
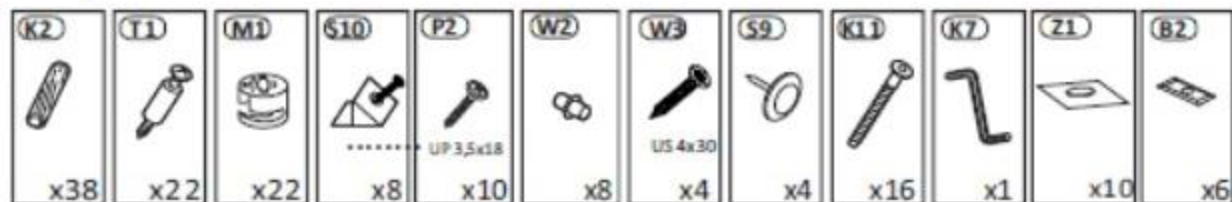


1/6

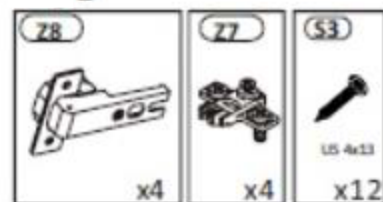
8 5 kg 3 15 kg



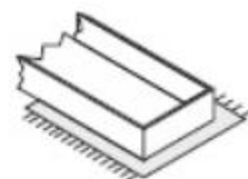
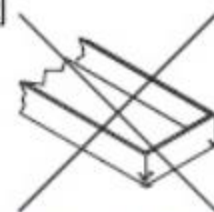
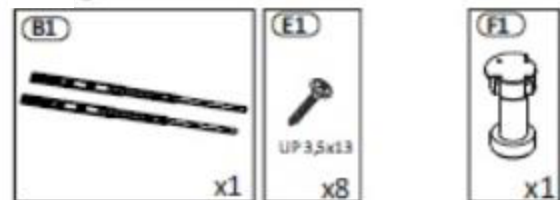
1



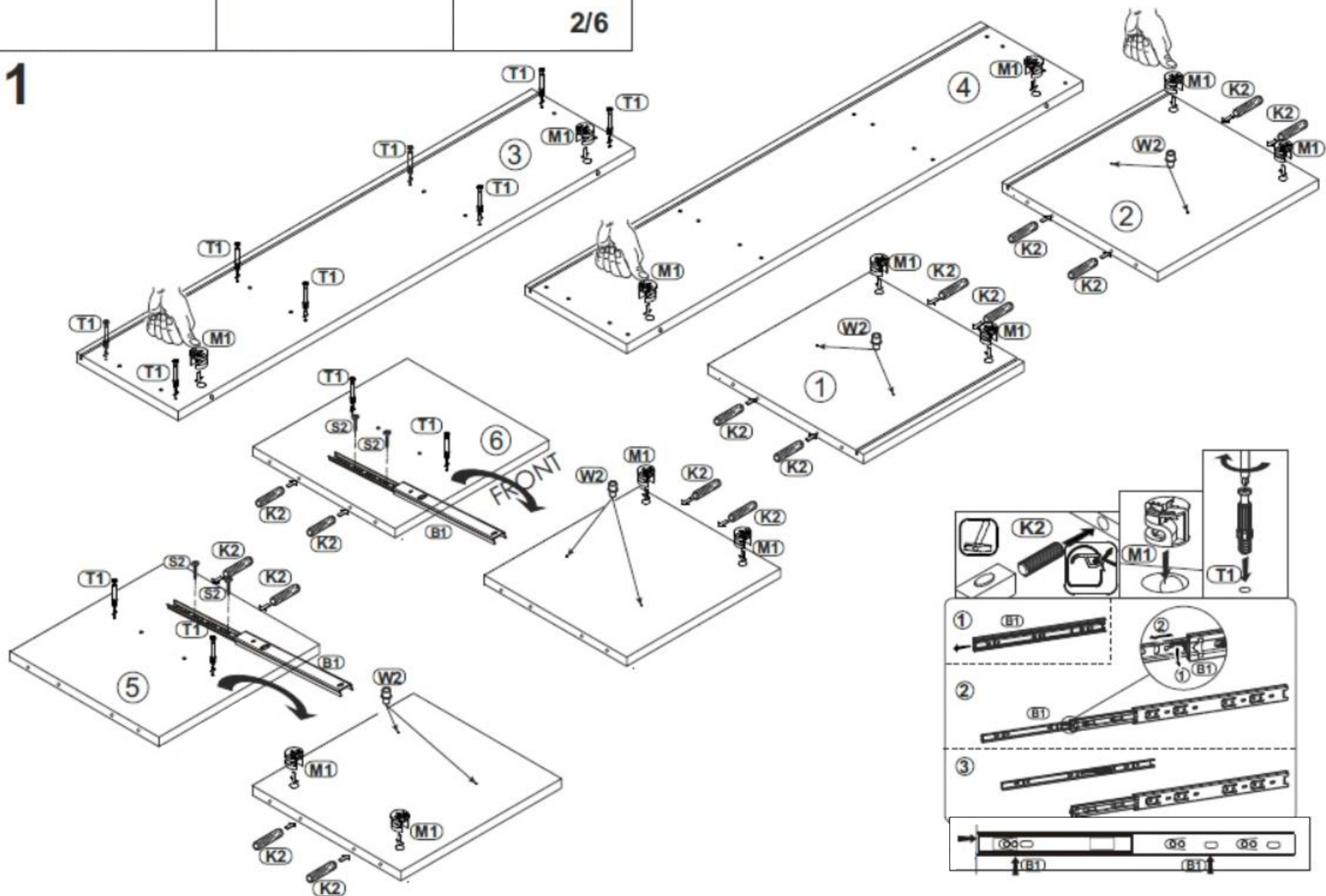
2



3

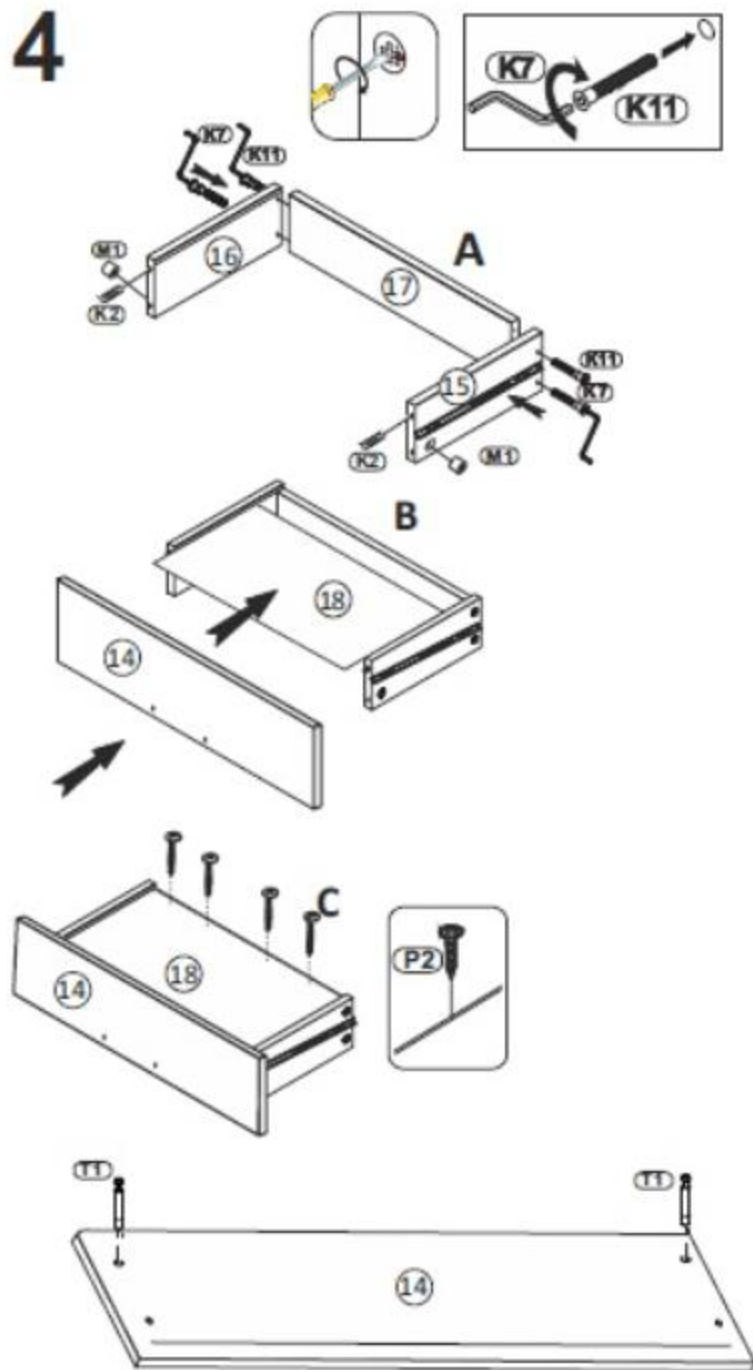


1

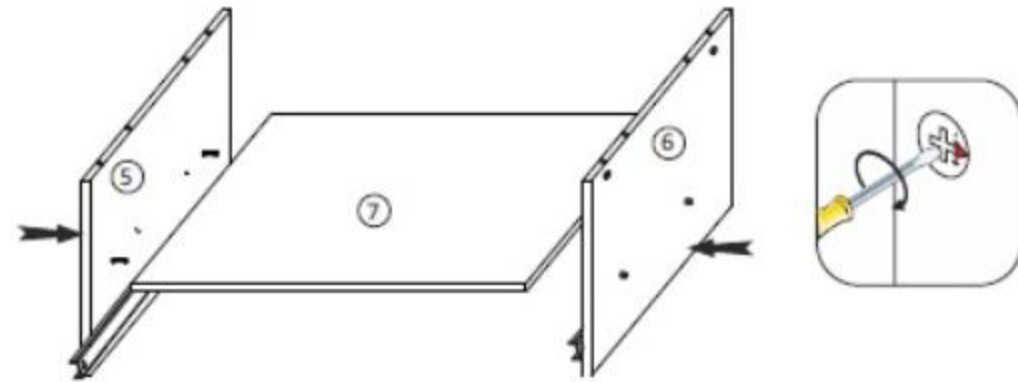




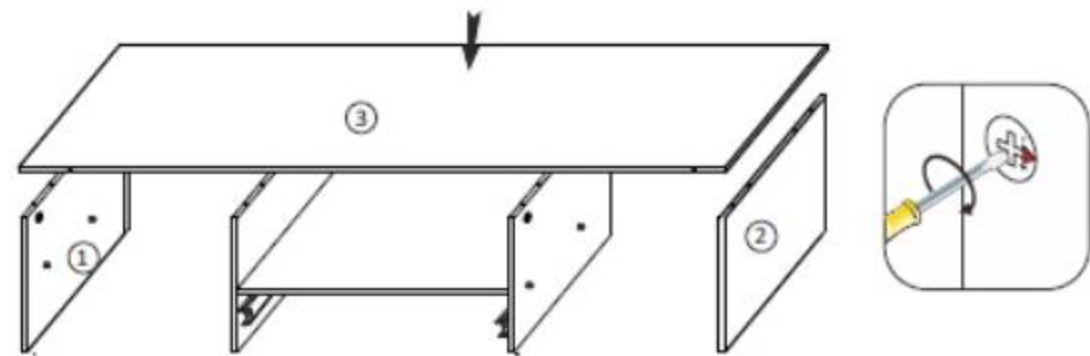
4



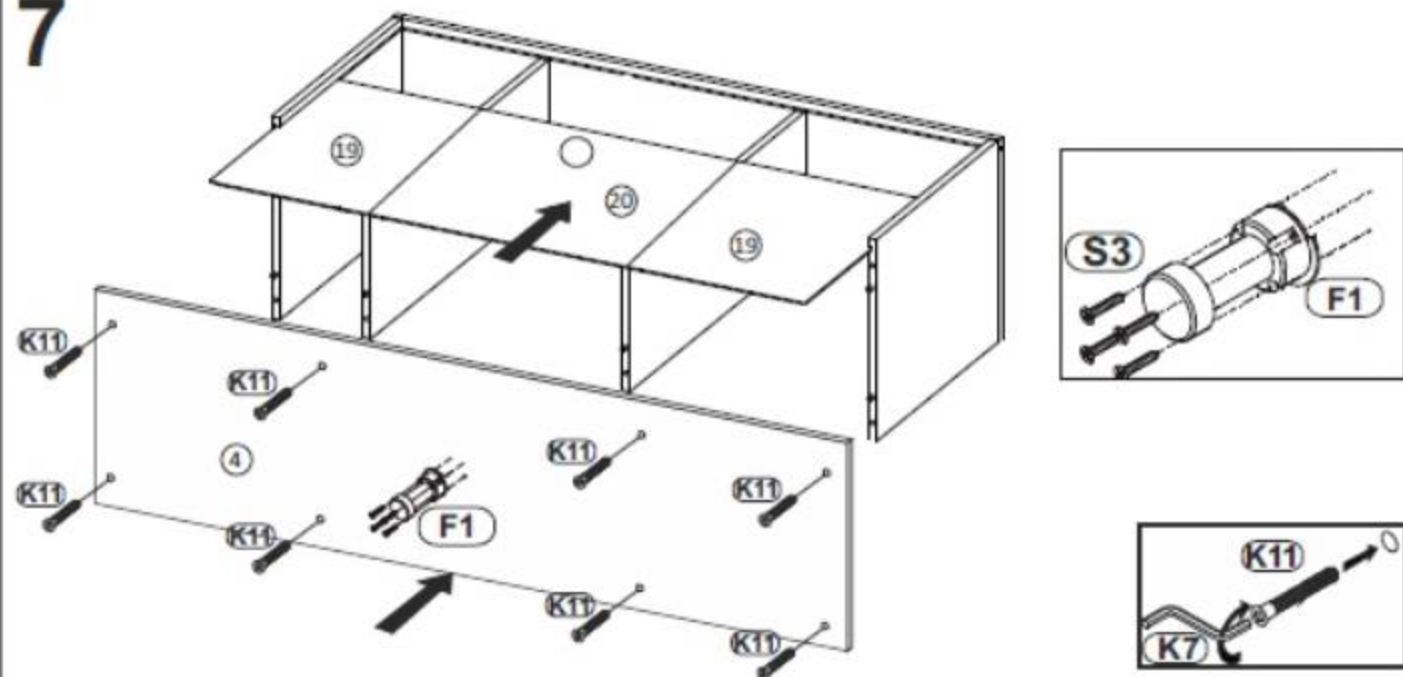
5



6

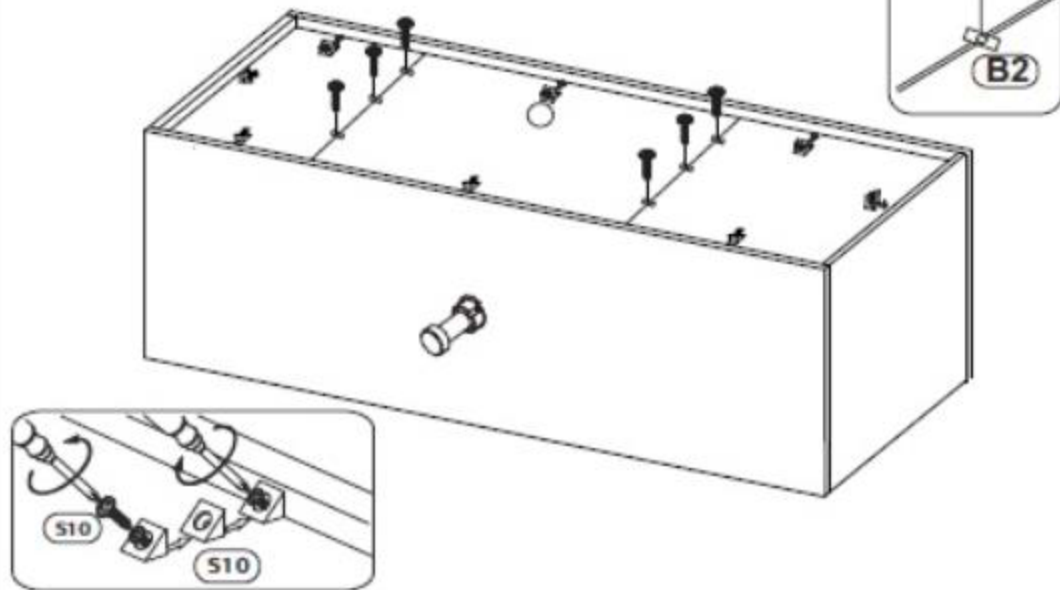


7

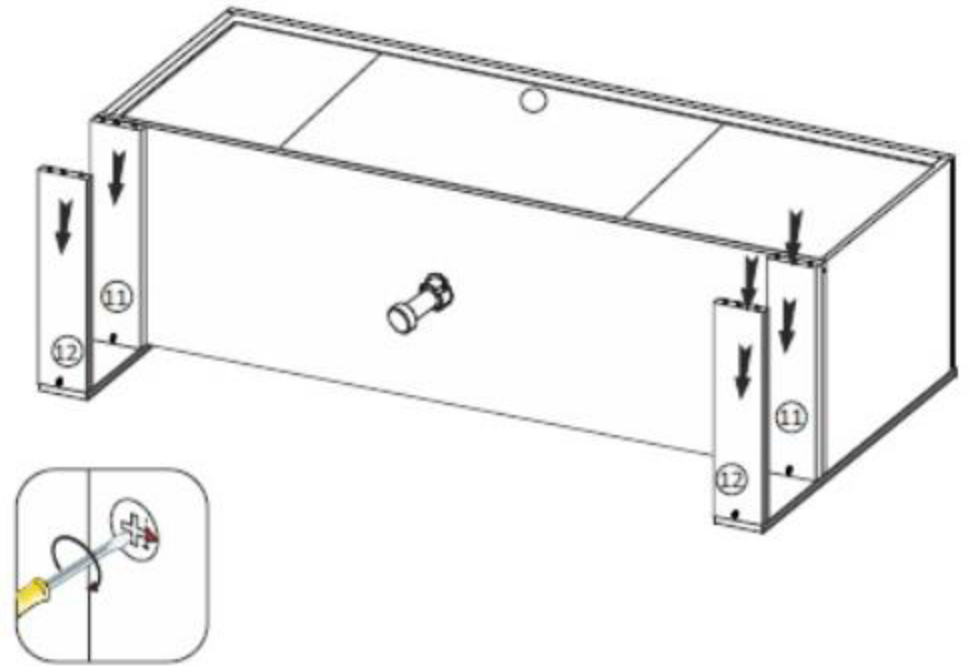


5/6

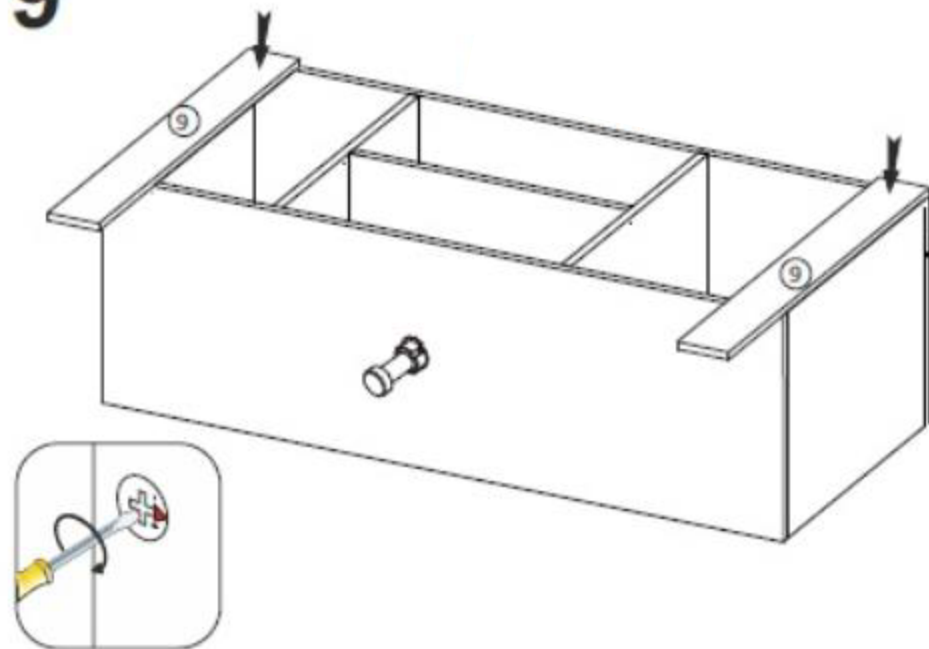
8



10



9



11

