

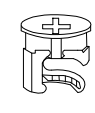
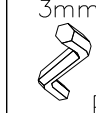
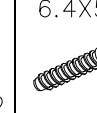
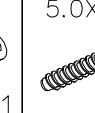
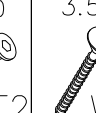

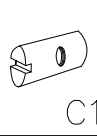




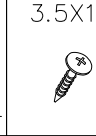
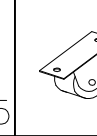
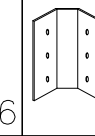

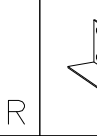
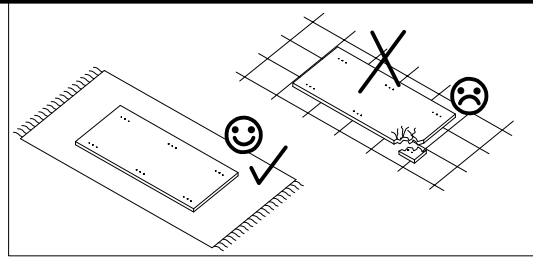
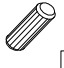

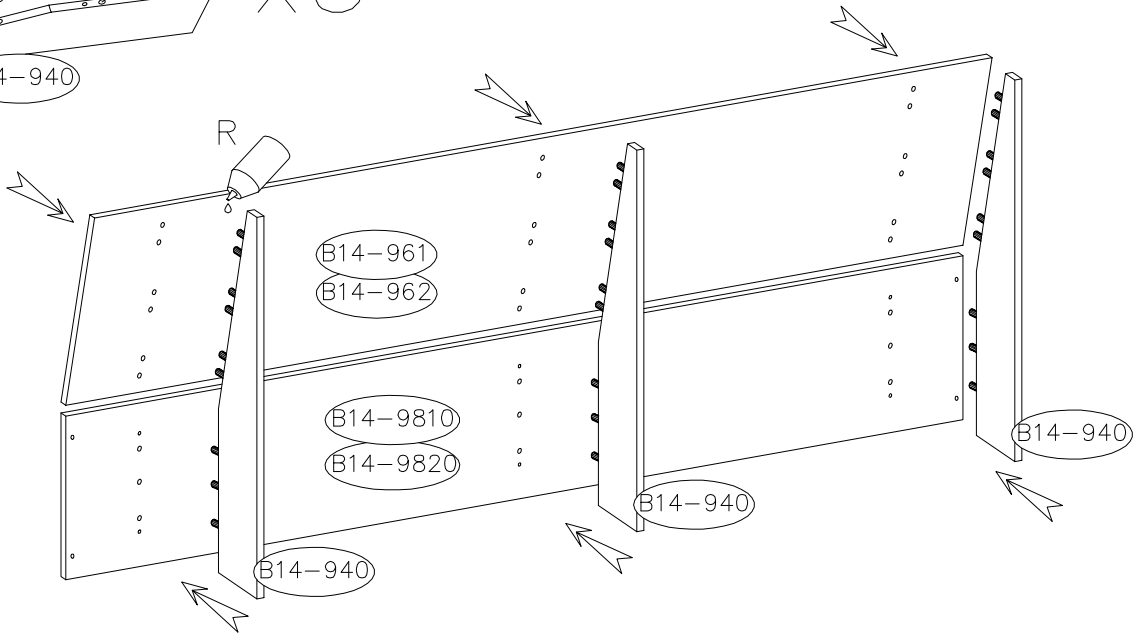
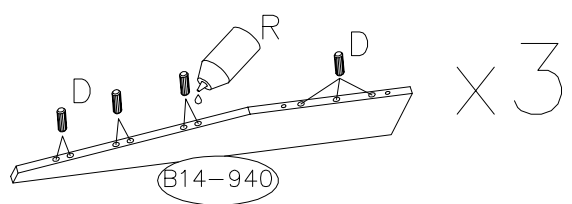
	8.0X30 	6.3X13 		3mm 	6.4X50 	5.0X50 	3.5x50 		
34	22	34	43	14	12	1	6	12	10		
		10X35 	4mm 	4.0X20 	3.5X30 	3.5X13 					
4	4	24	1	8	34	16	8	2	4	2	

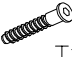

1

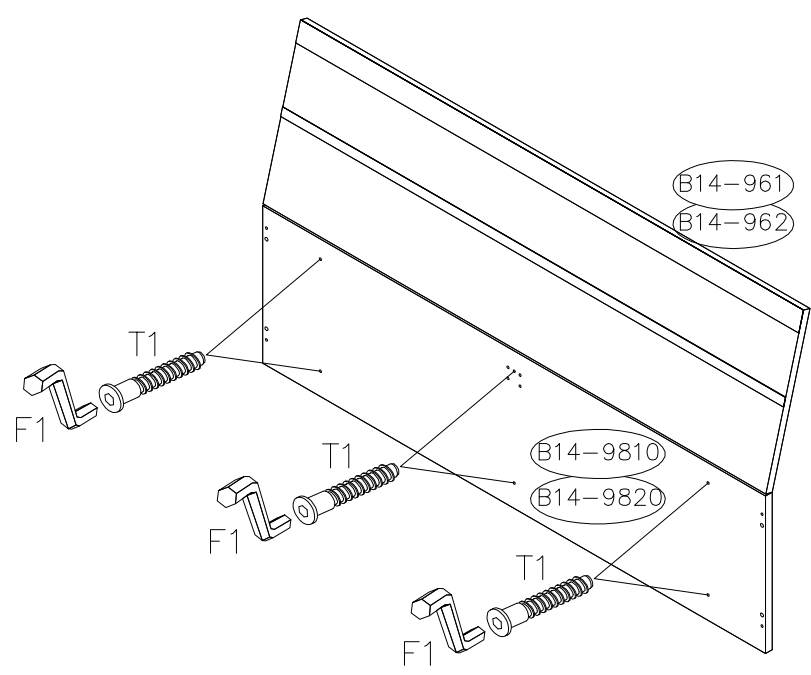


8.0X30  D	 R
27	2

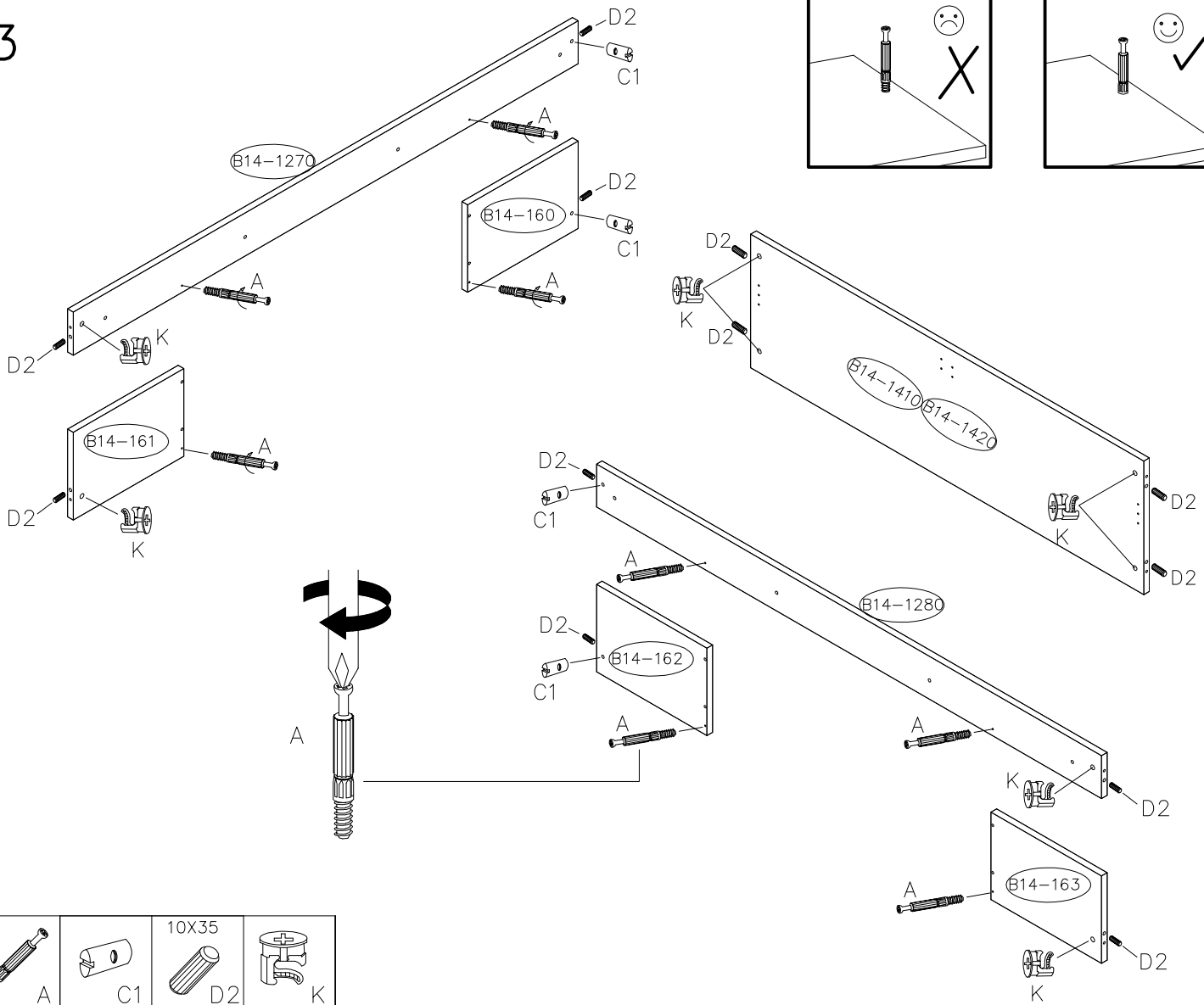


2

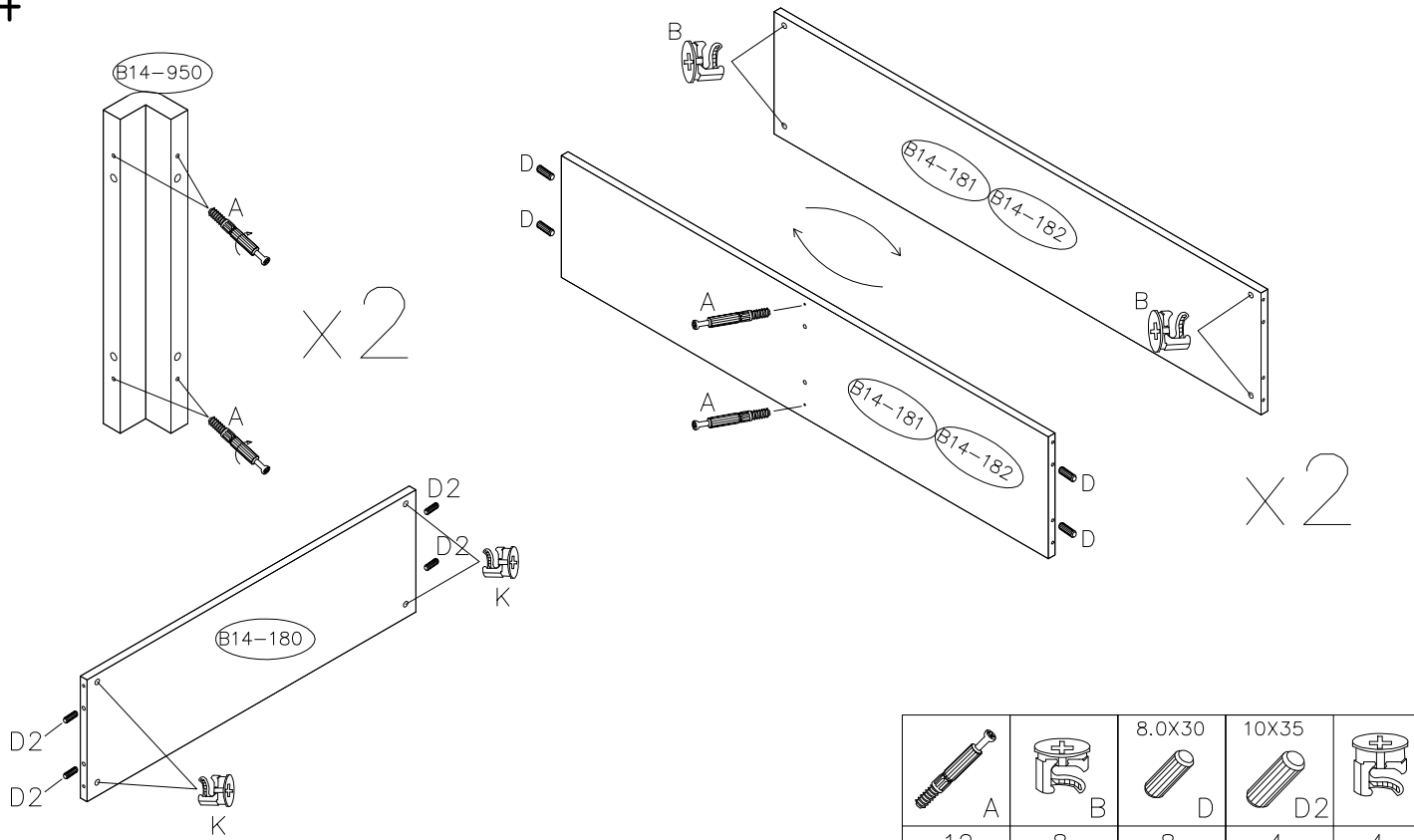
6.4X50  T1	4mm  F1
6	1



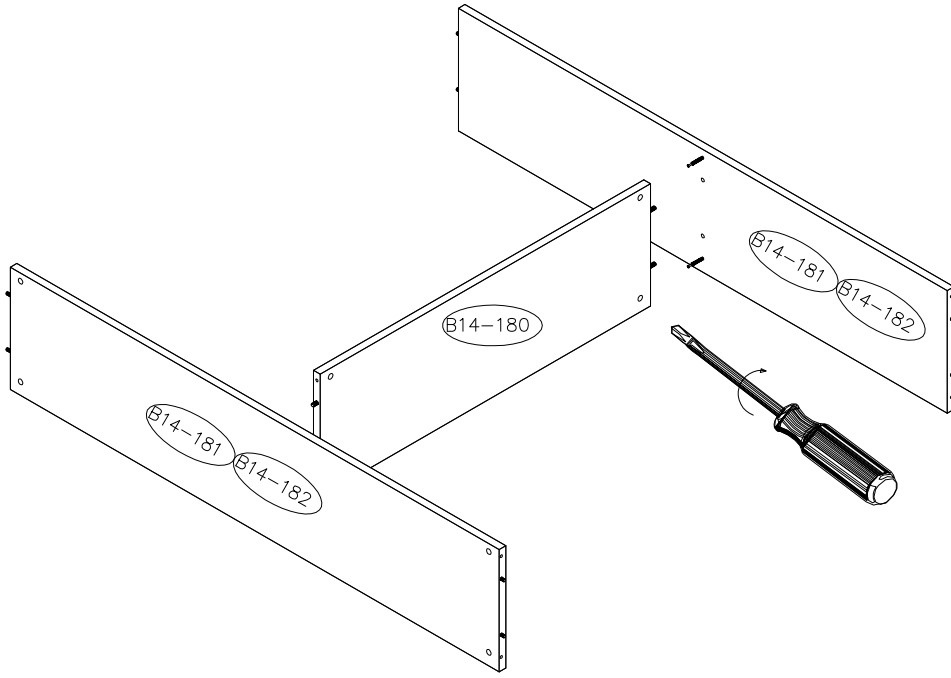
3



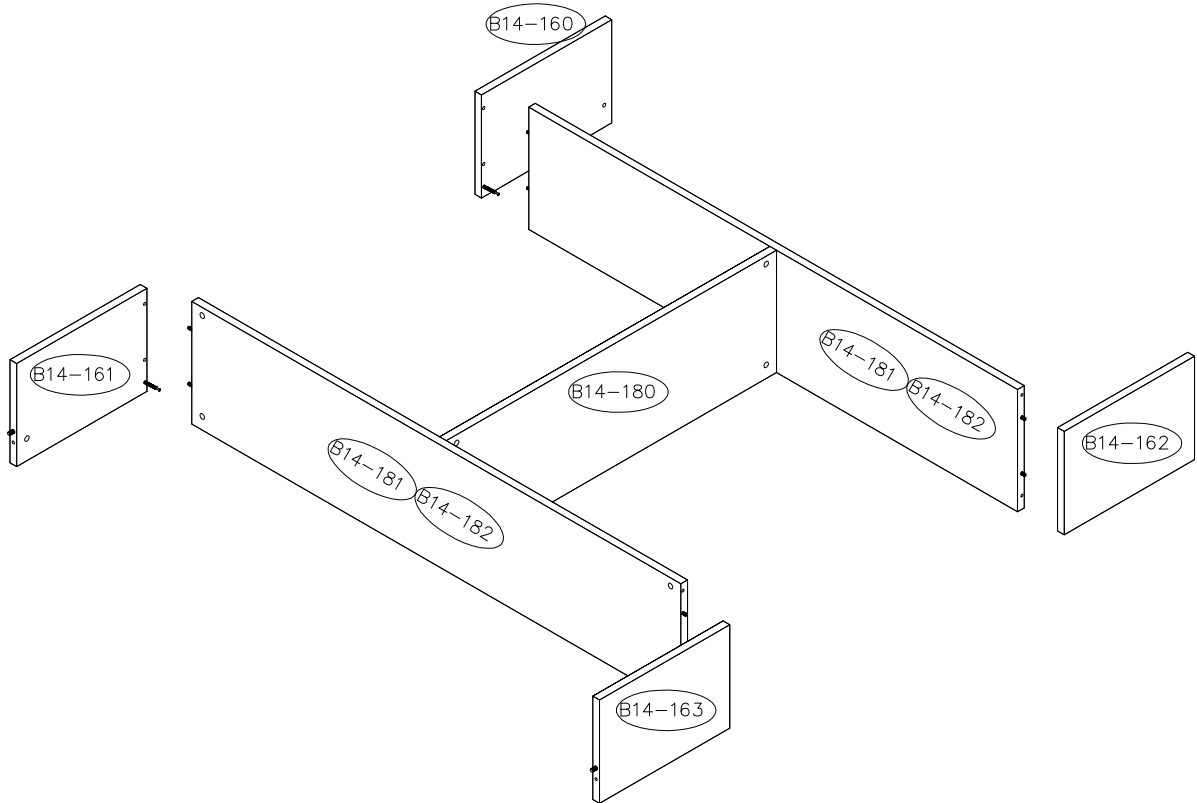
4



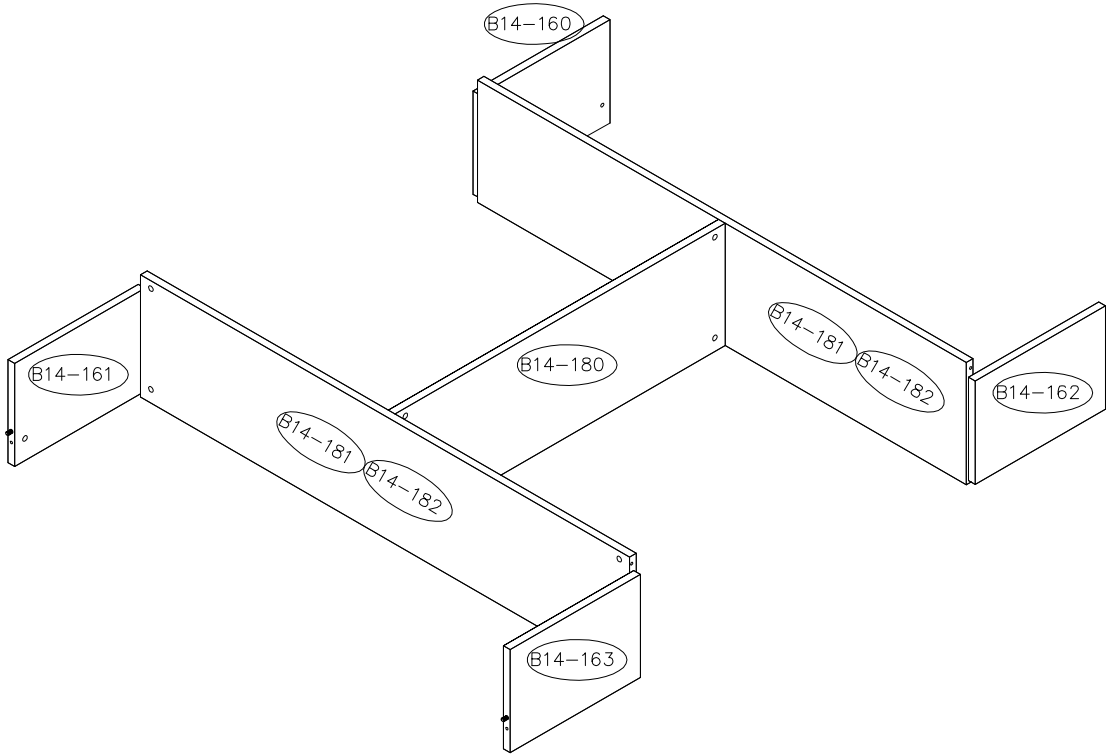
5



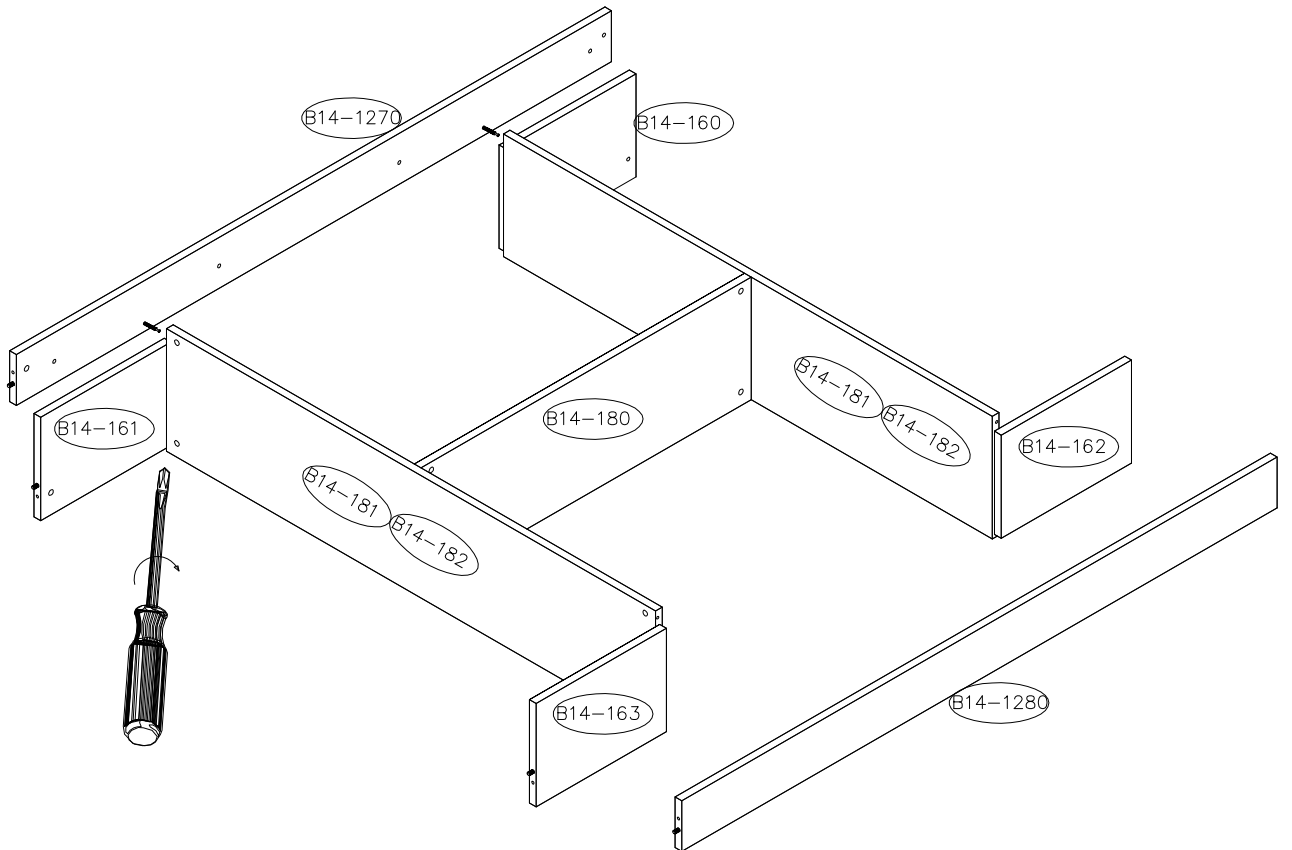
6



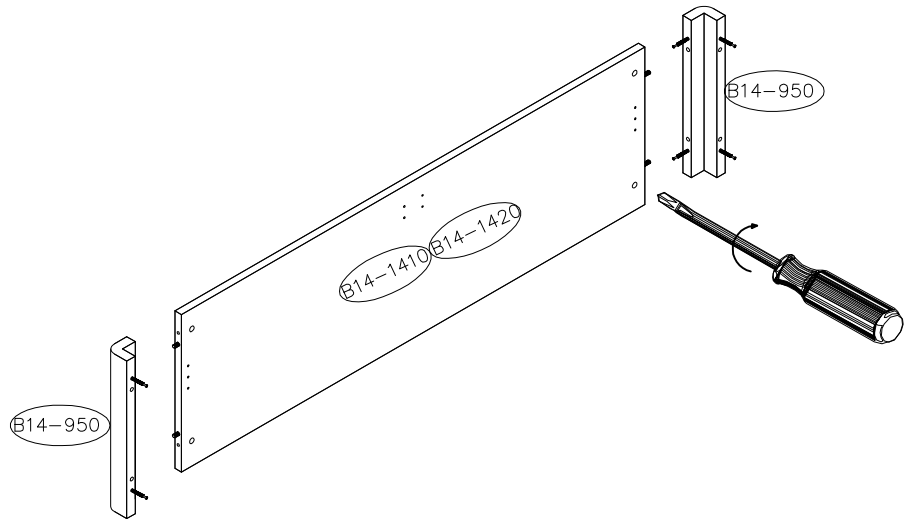
7



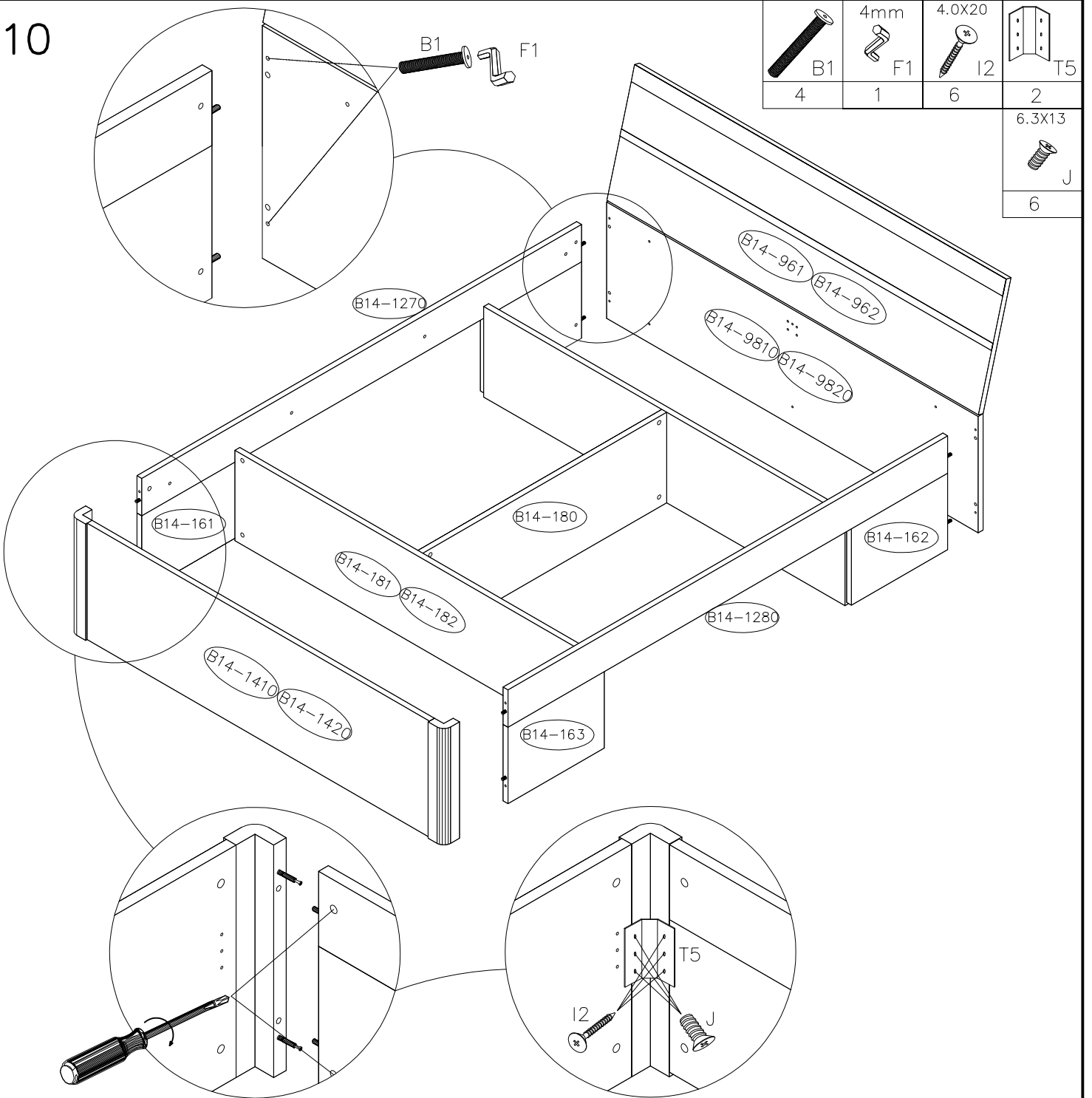
8

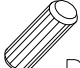



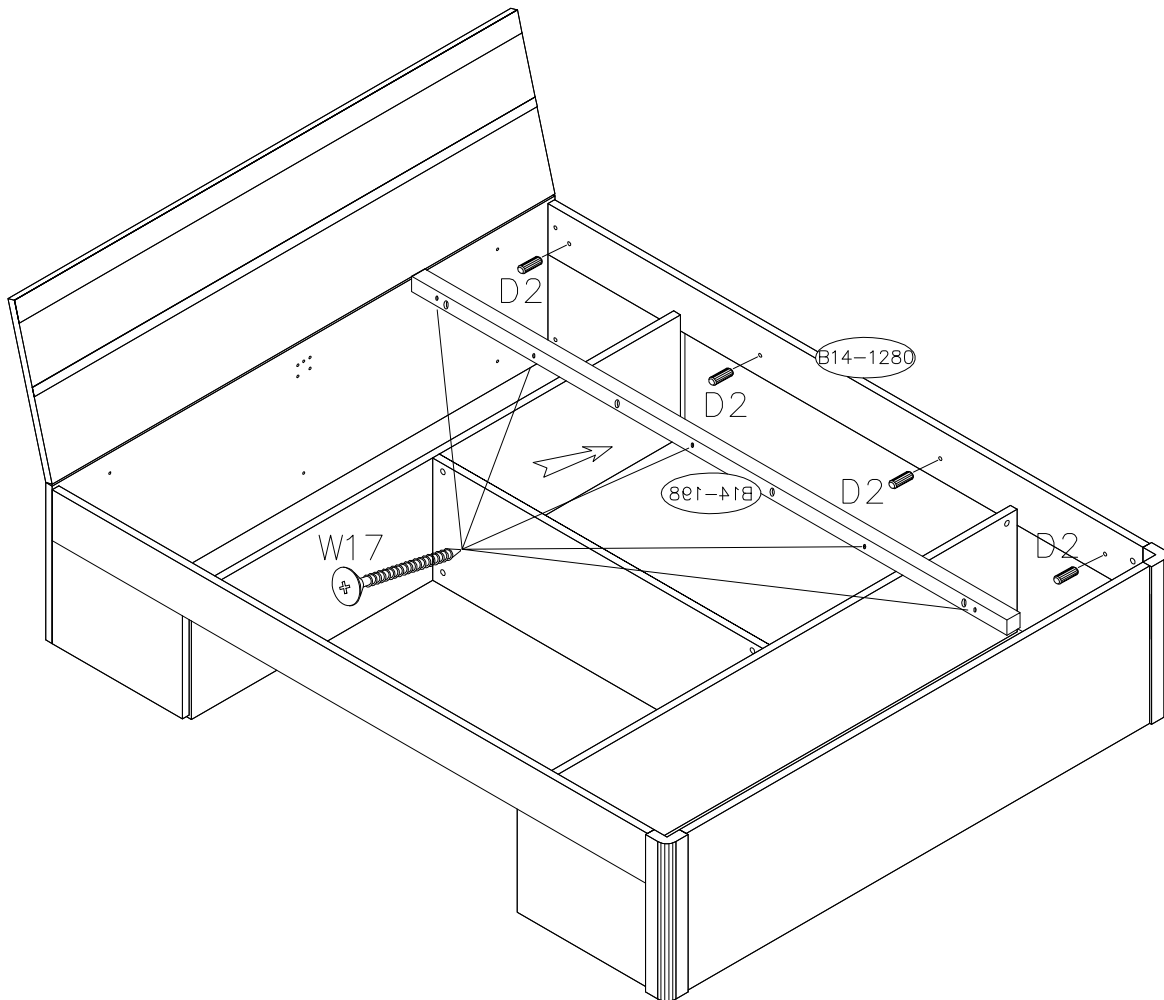
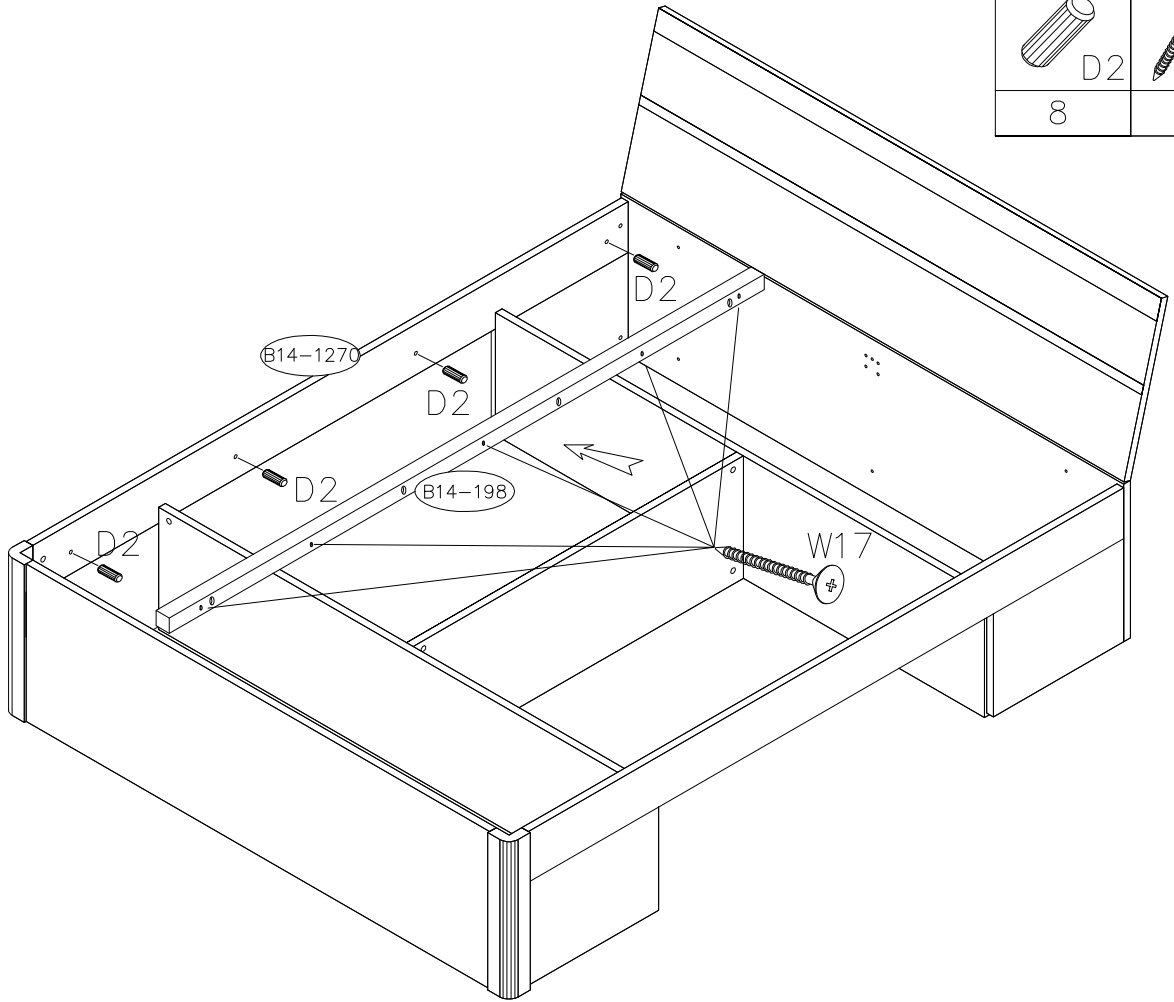
9


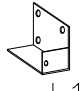
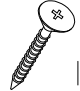


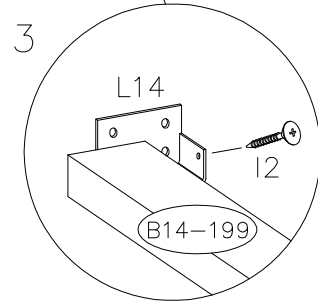
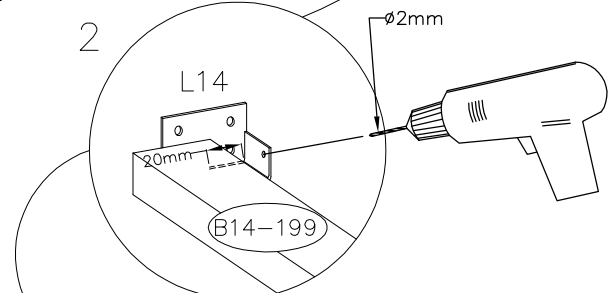
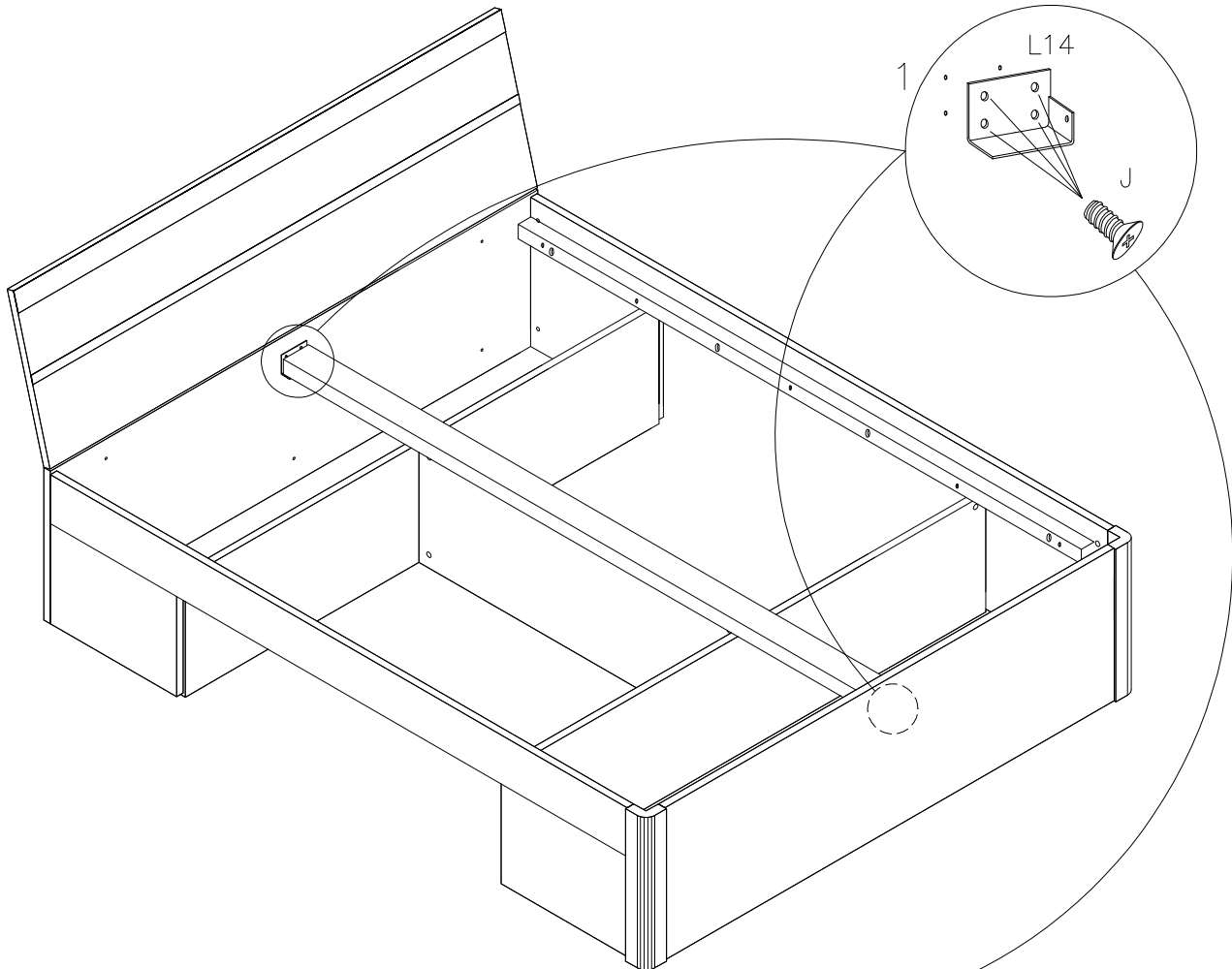
10





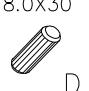


10X35  D2	3.5x50  W17
8	10

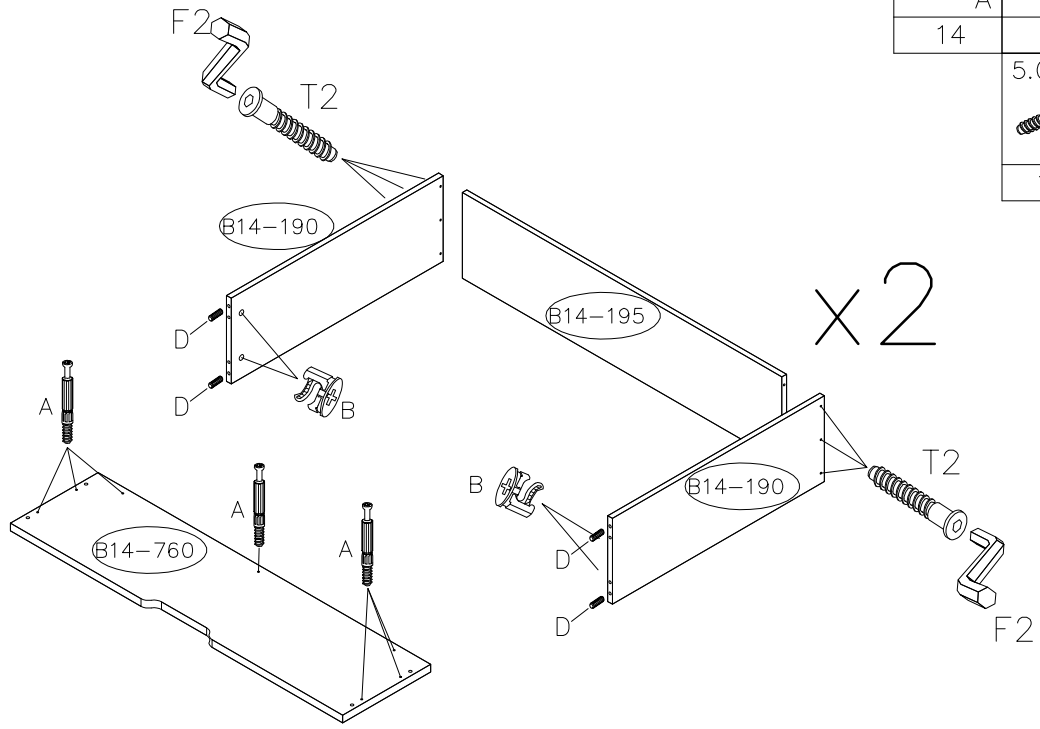


6.3x13  J	 L14	4.0x20  I2
8	2	2

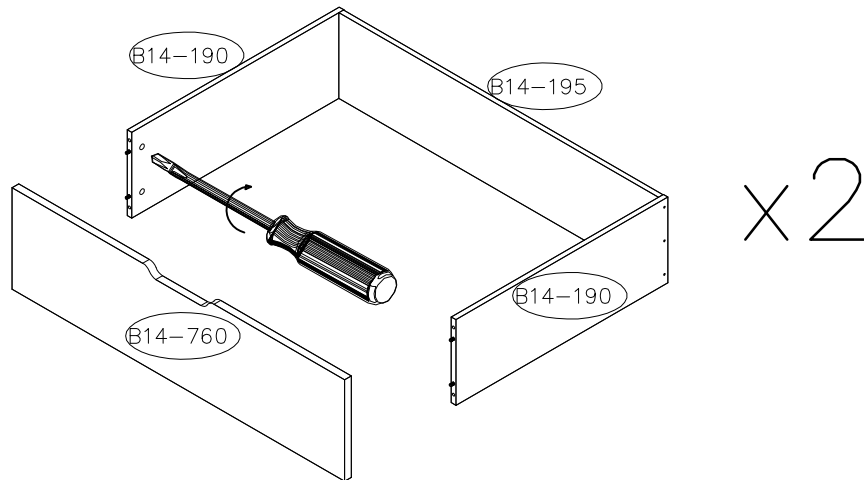


13


		
A	B	D
14	8	8
		
T2	F2	
12	1	

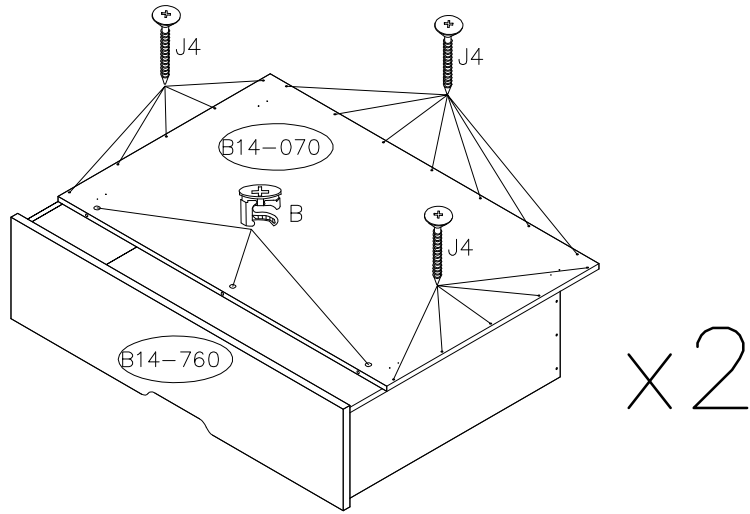


14





15

	3.5X30
B	J4
6	34



16

	3.5X13	
C	J5	J6
34	16	8

