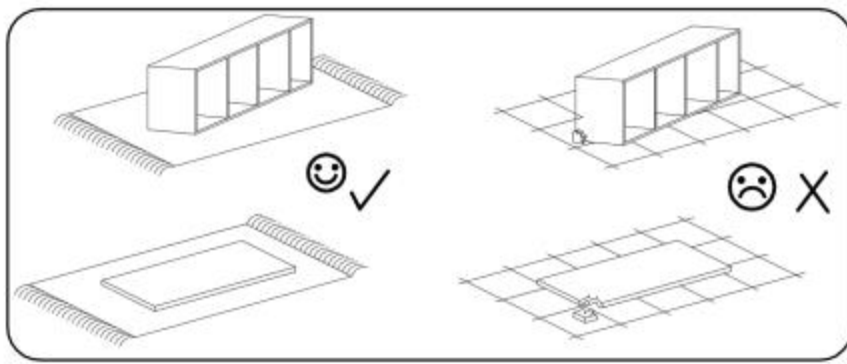



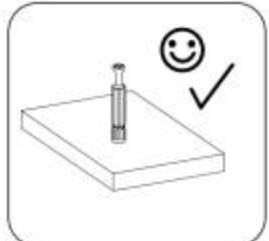


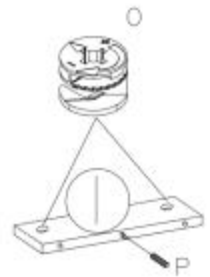
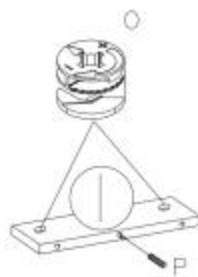
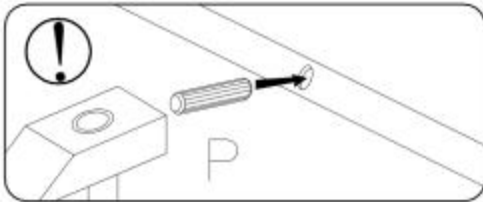
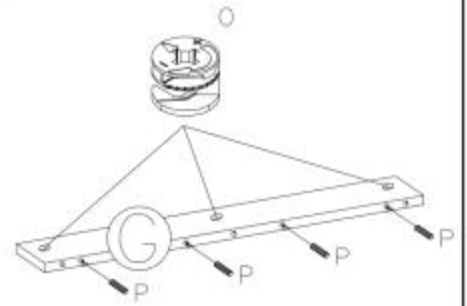
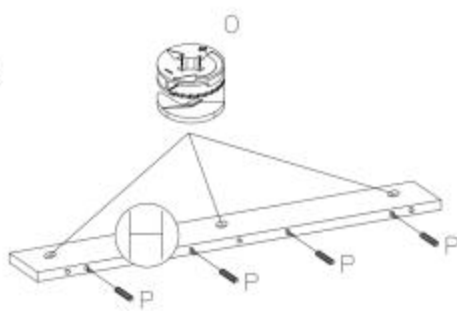
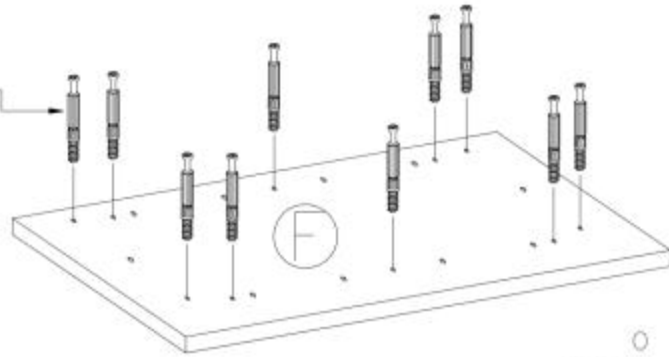
1



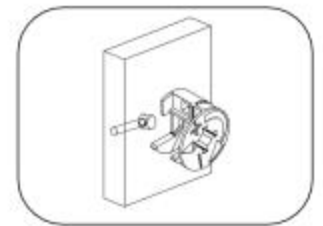
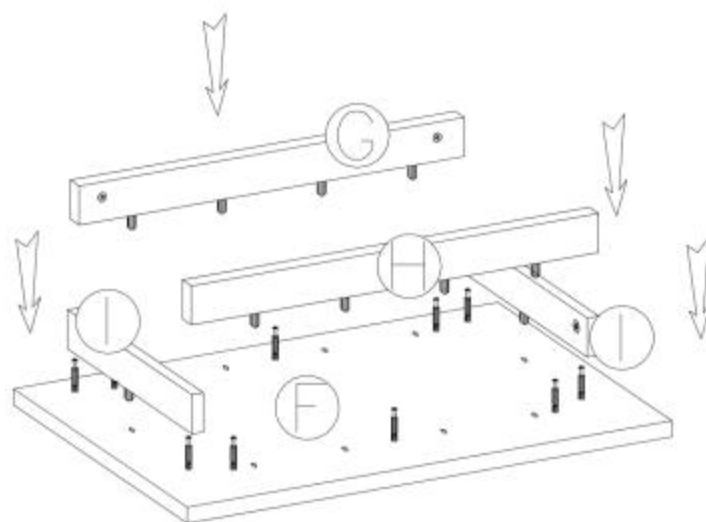
O		10x
P		10x
K		10x



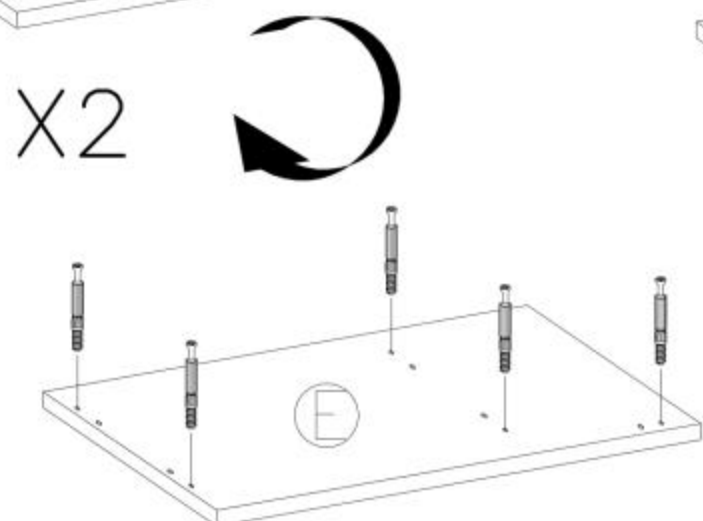
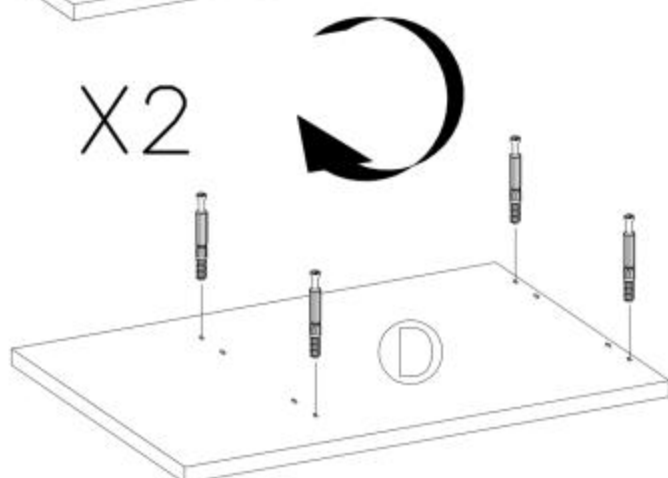
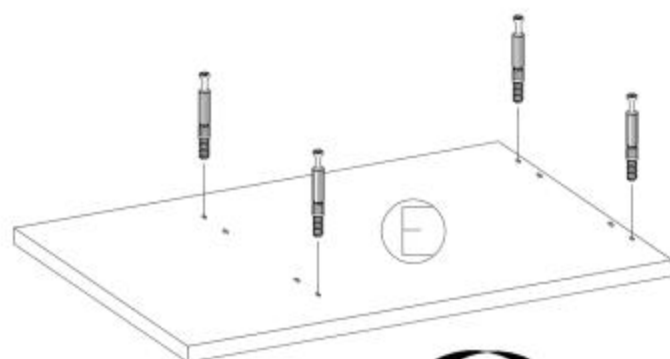
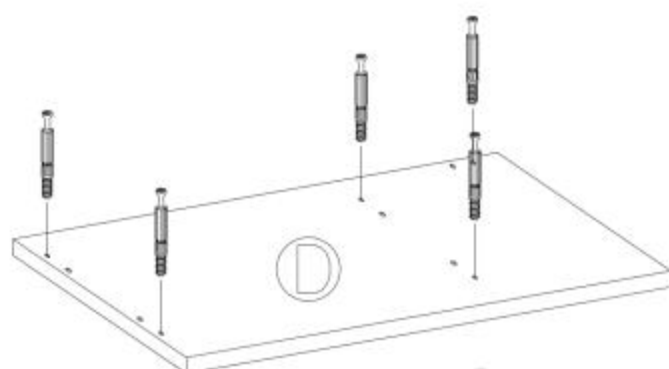
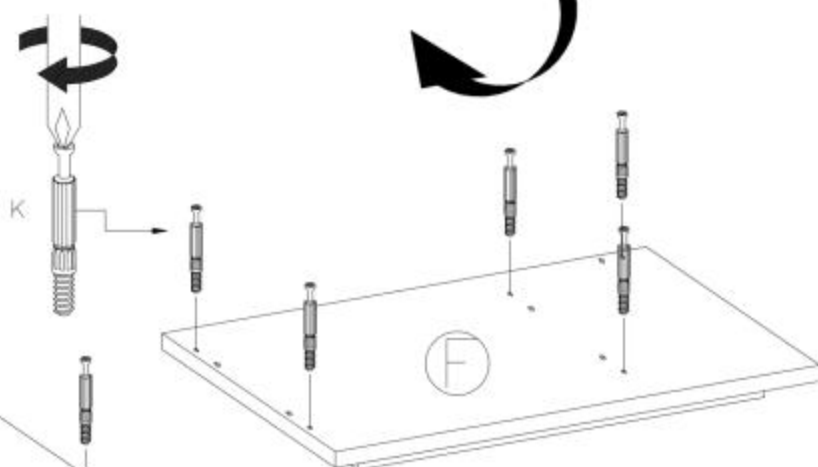
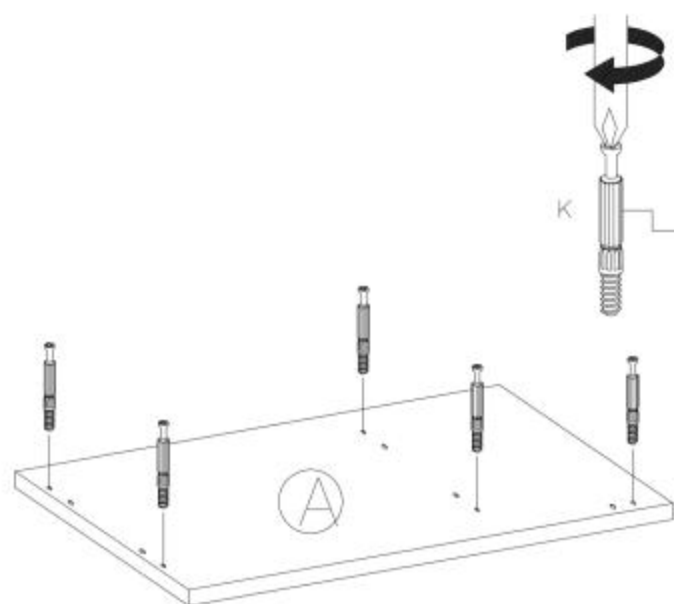
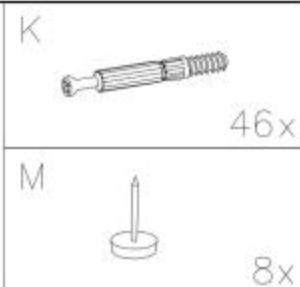
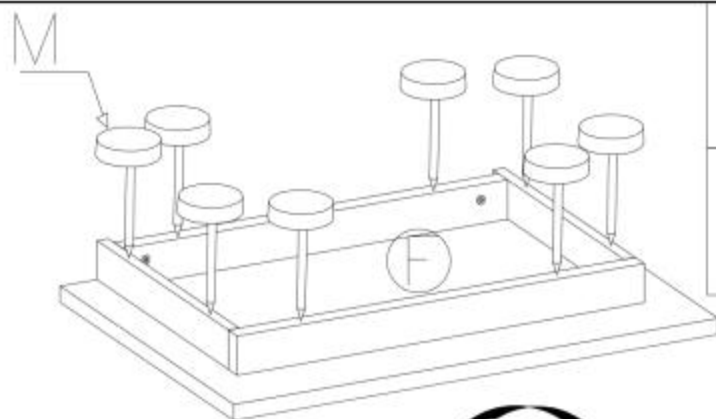
K



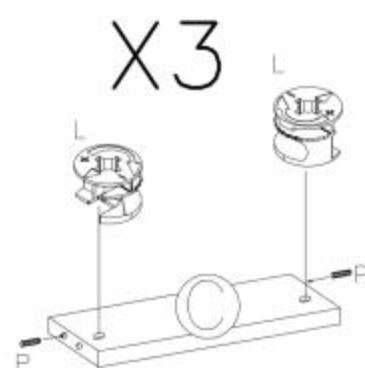
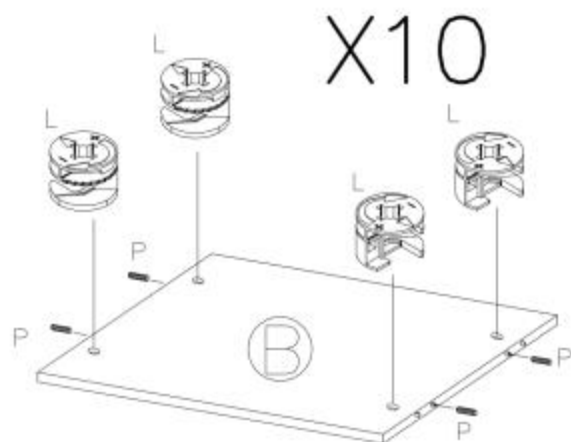
2



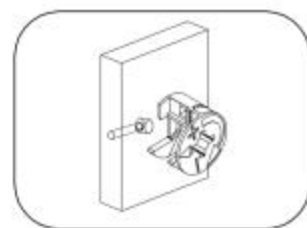
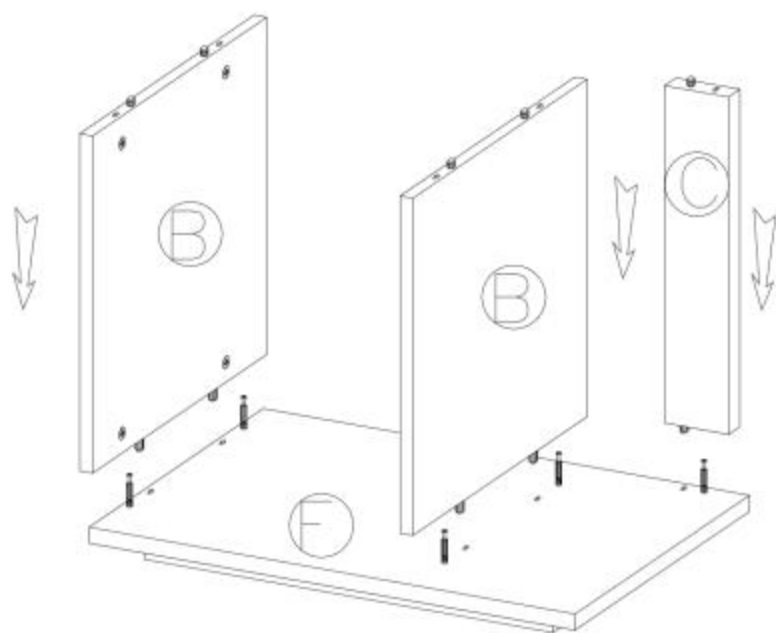
3



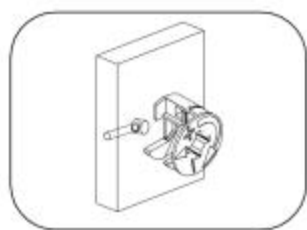
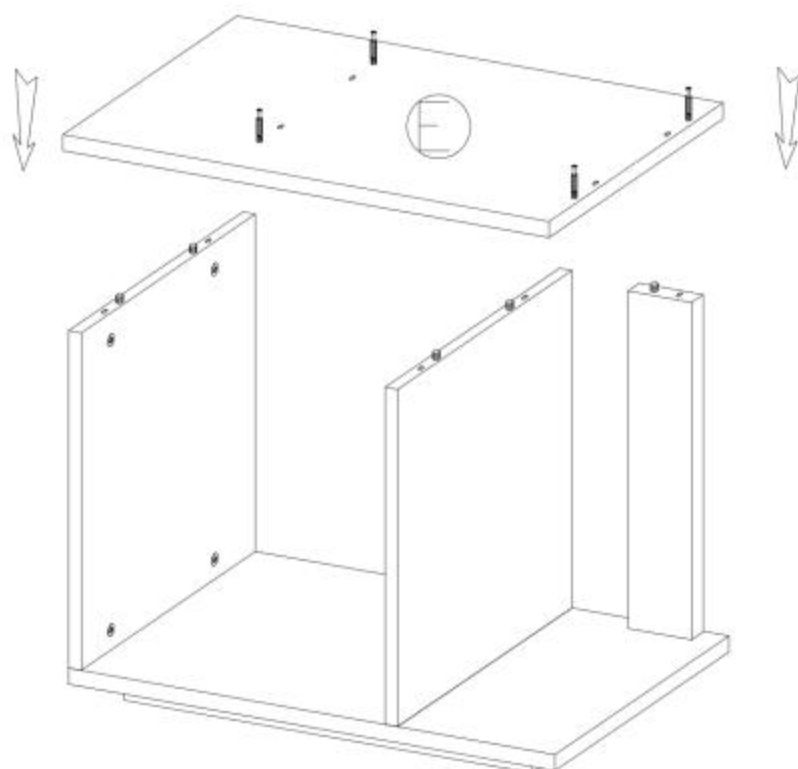
4



5



6



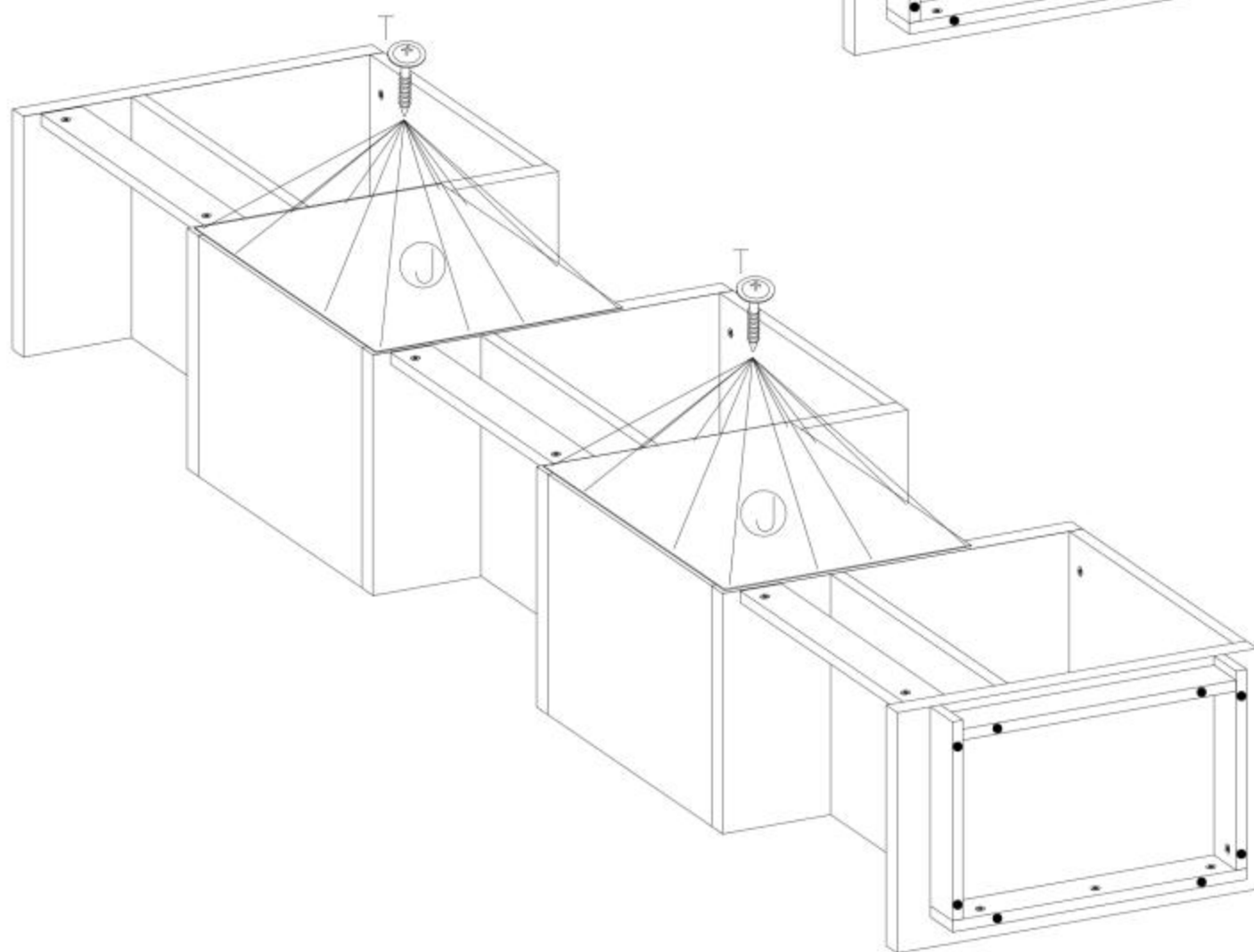
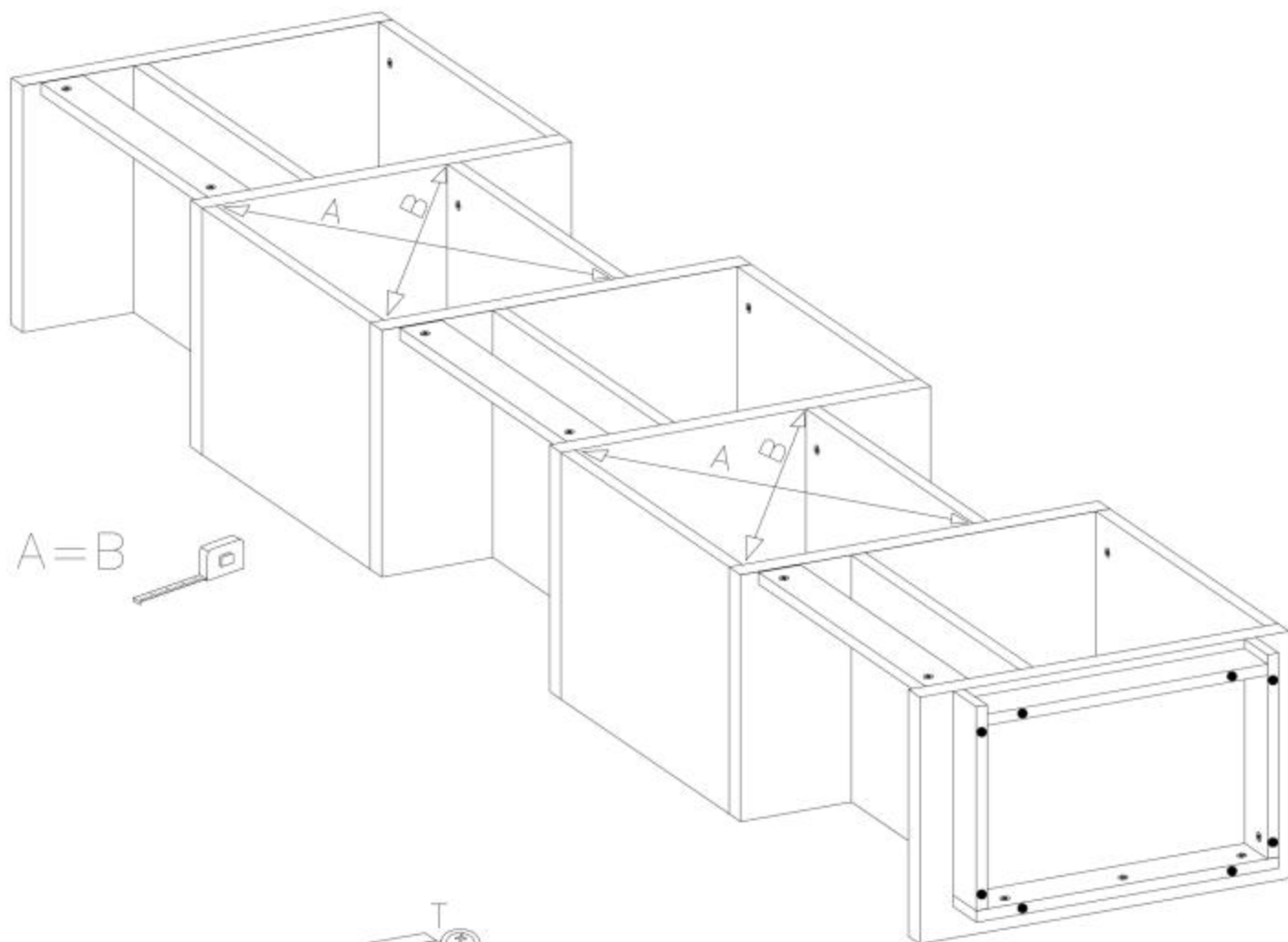
8

T



3x16

24x



9

N		R		S		U		
	2x	4x40		2x	4x16	4x	ø8x40	2x

