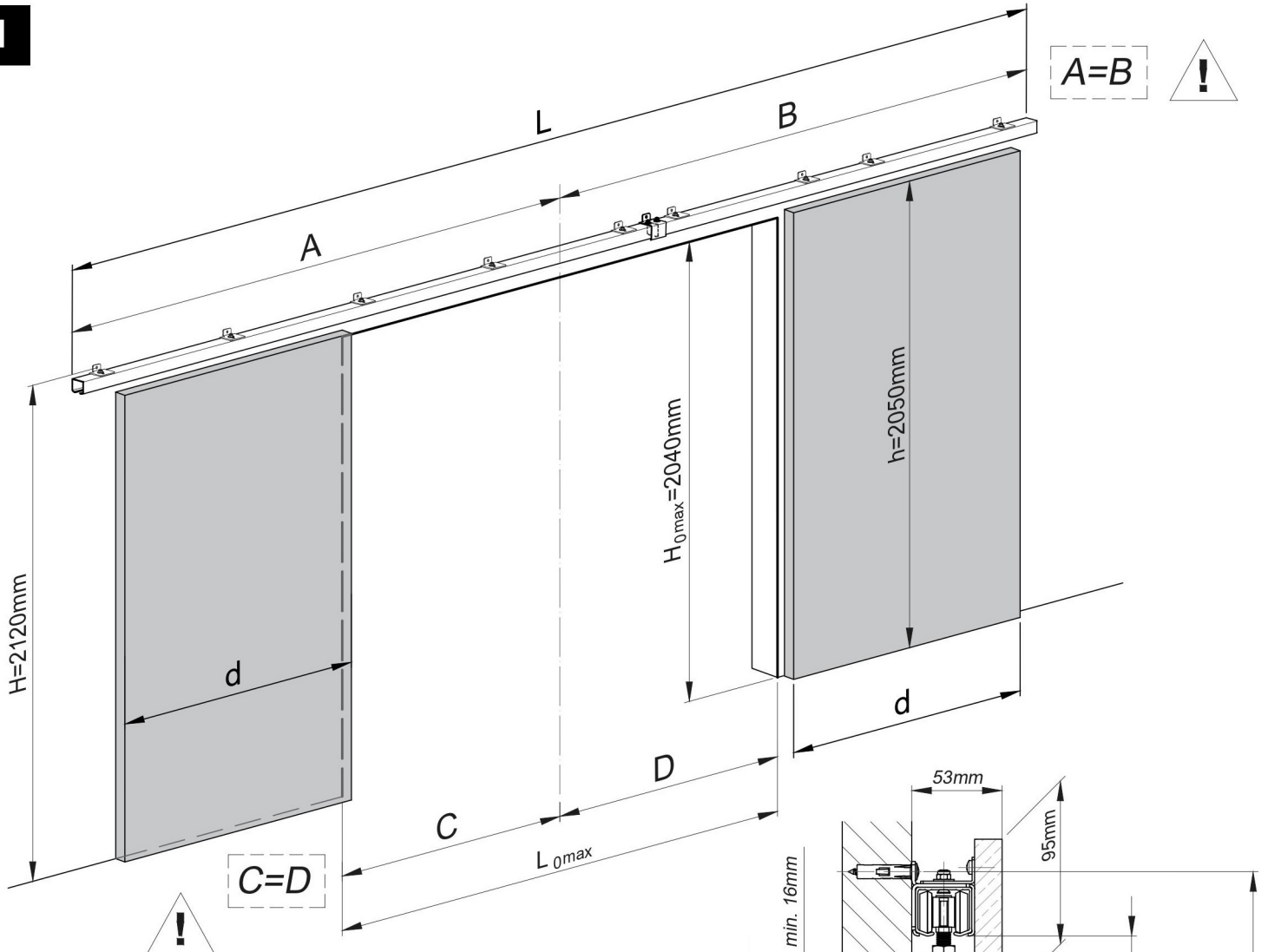
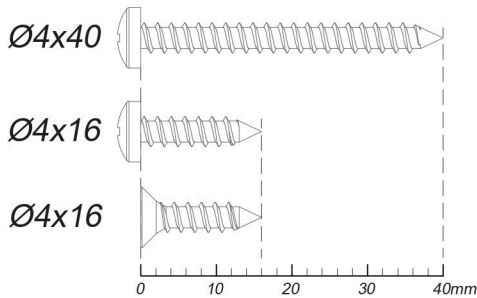
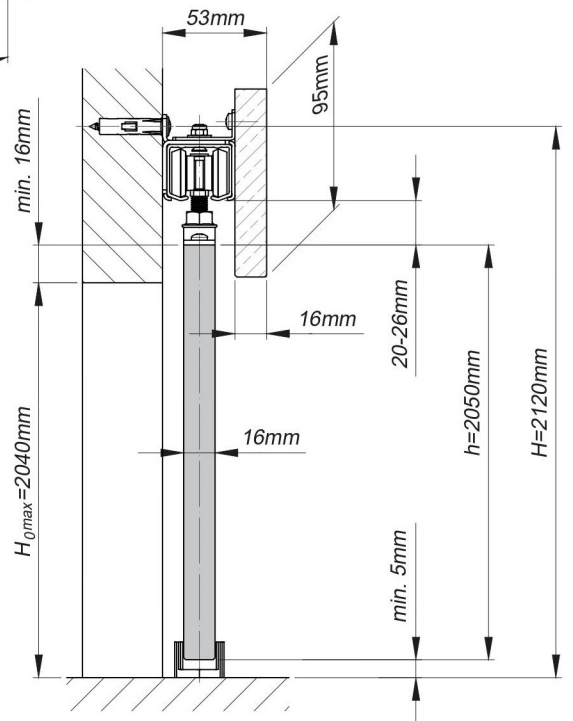
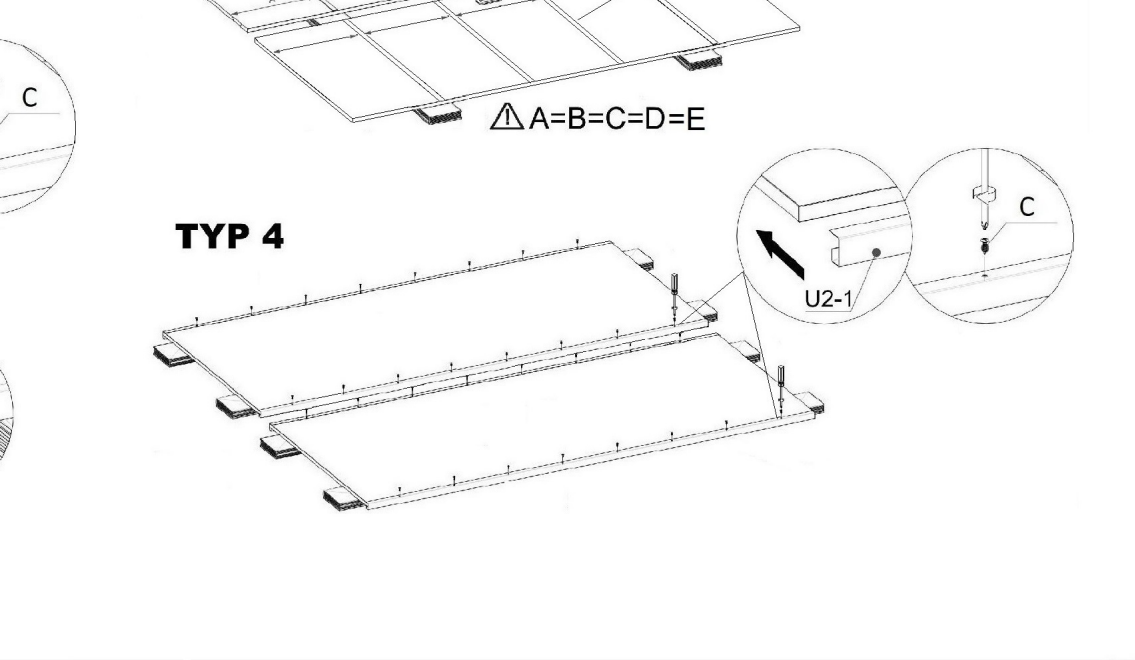
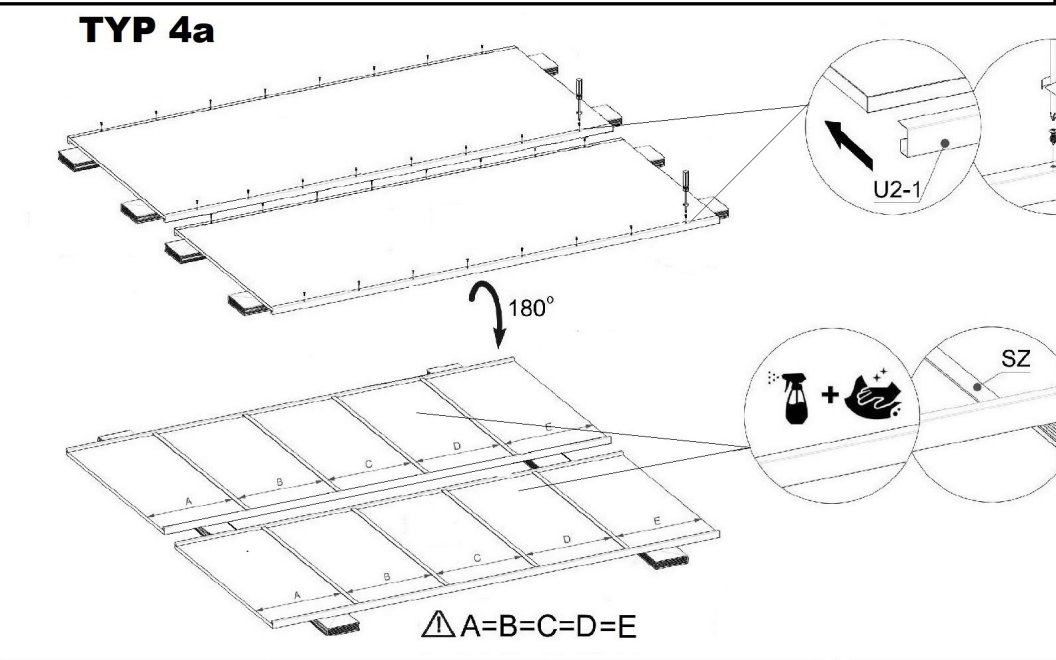
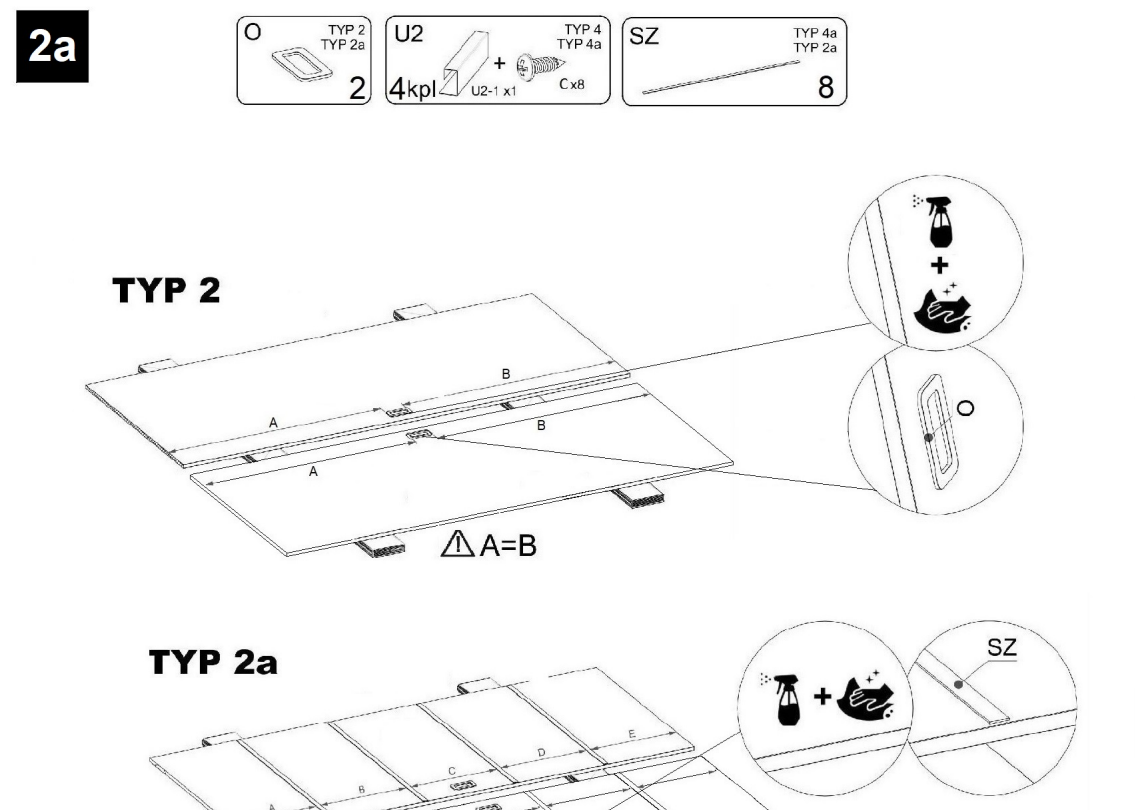
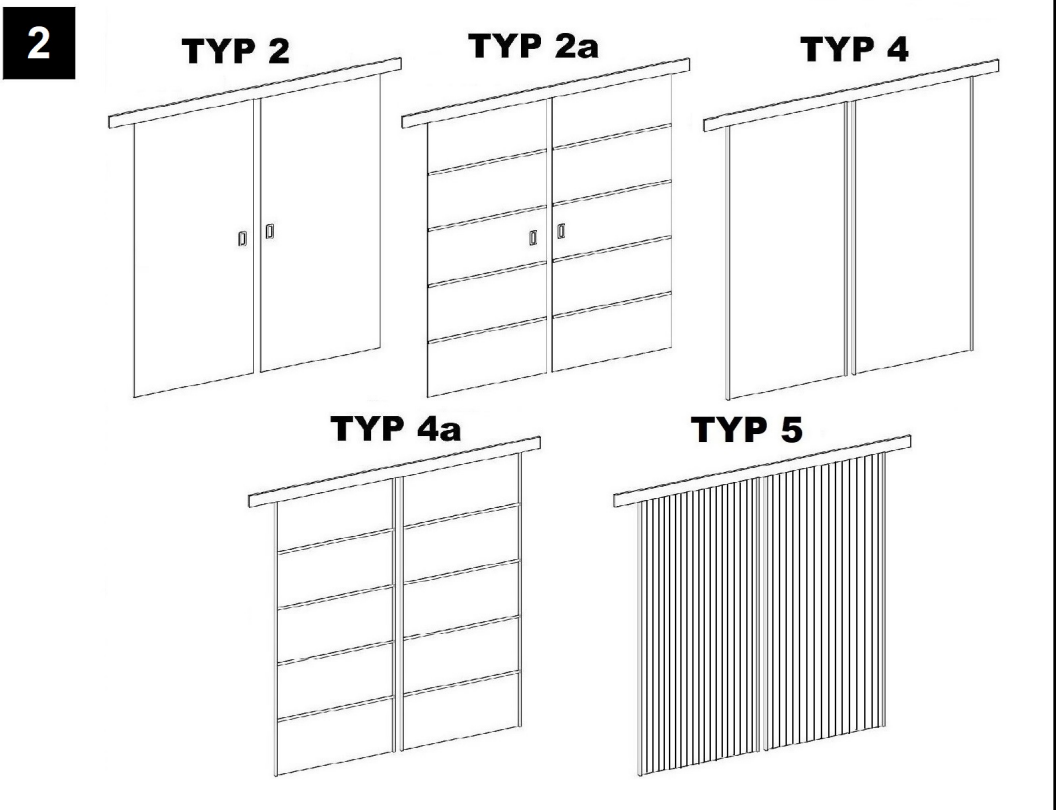


**1**



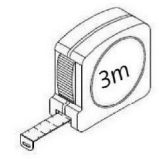
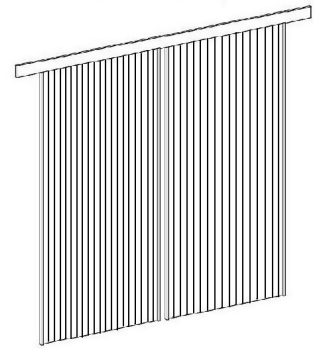
L [mm]	2570	2970	3370	4000	
d [mm] x2	660 "120"	760 "140"	860 "160"	960 "180"	1060 "200"
L <sub>0max</sub> [mm]	1260	1460	1660	1860	2060



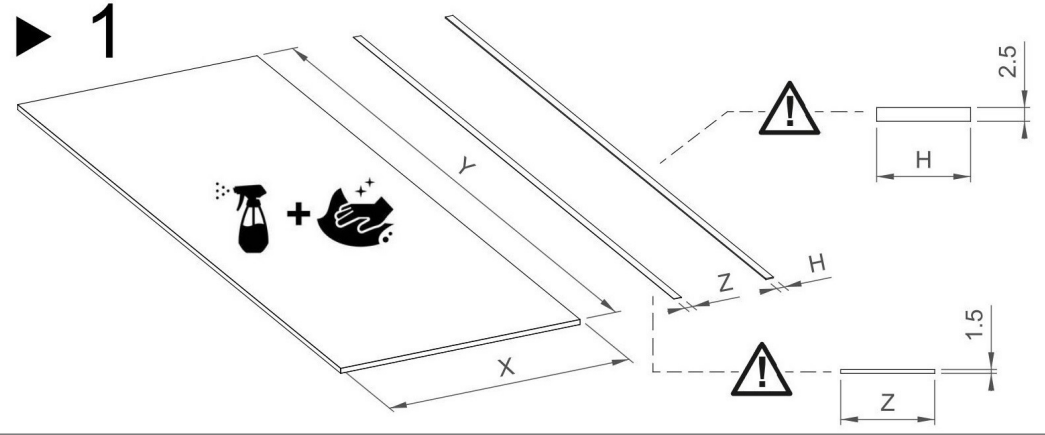


2b

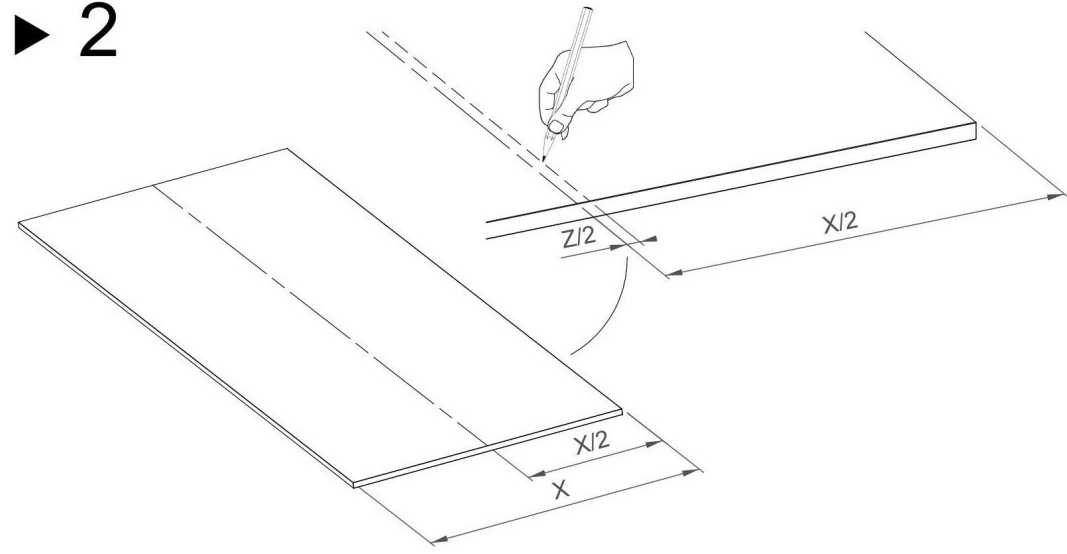
TYP 5



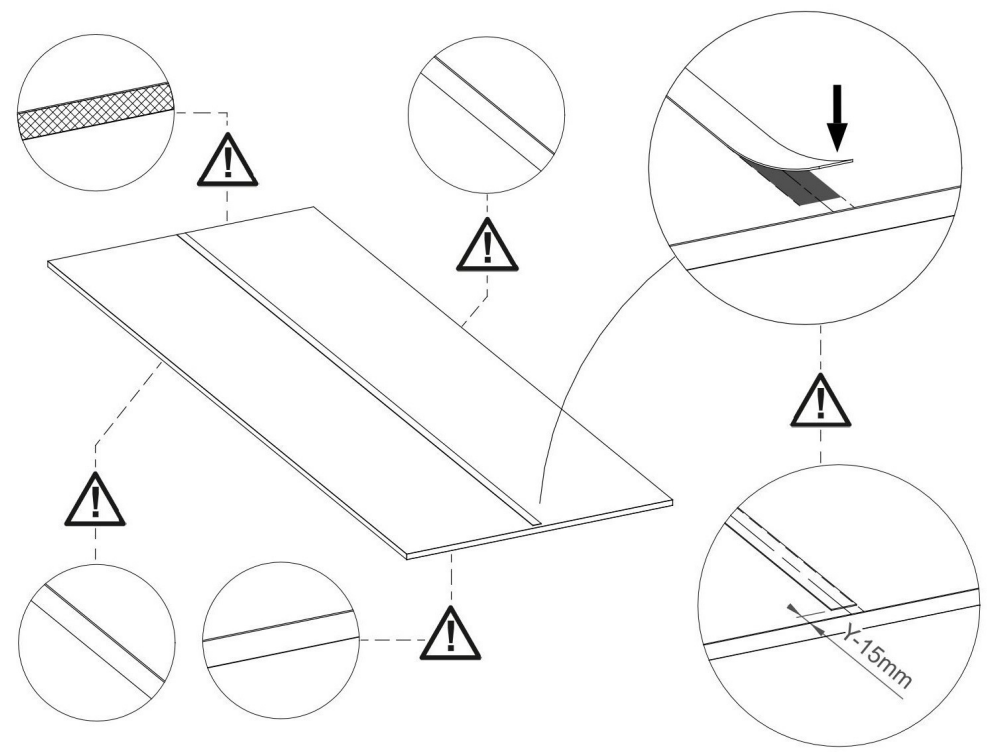
▶ 1



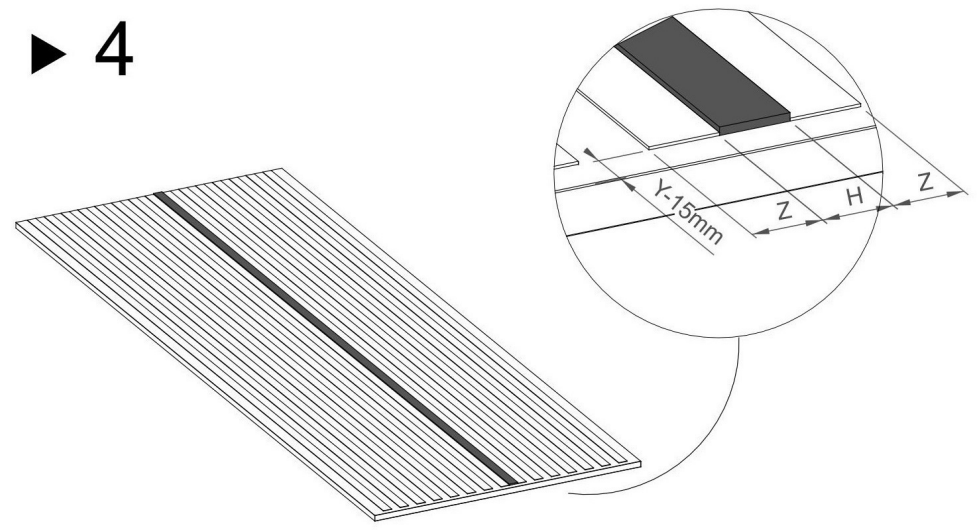
▶ 2



▶ 3



▶ 4

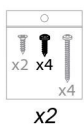




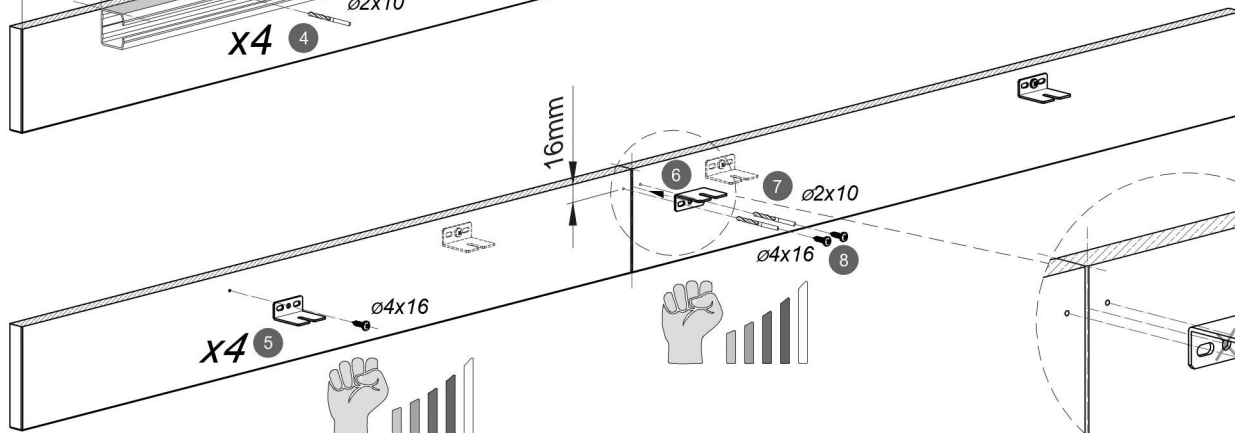
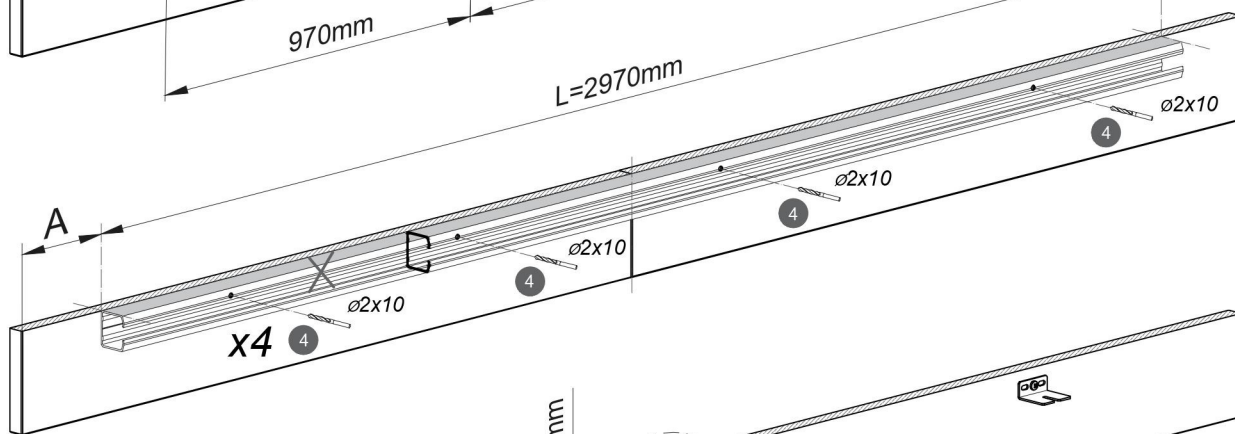
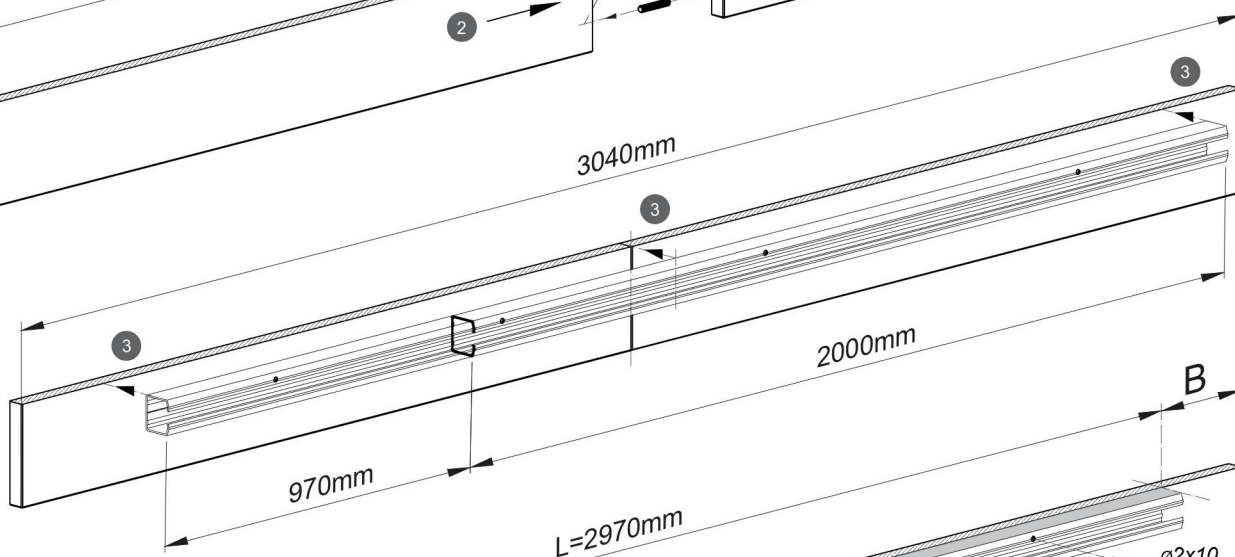
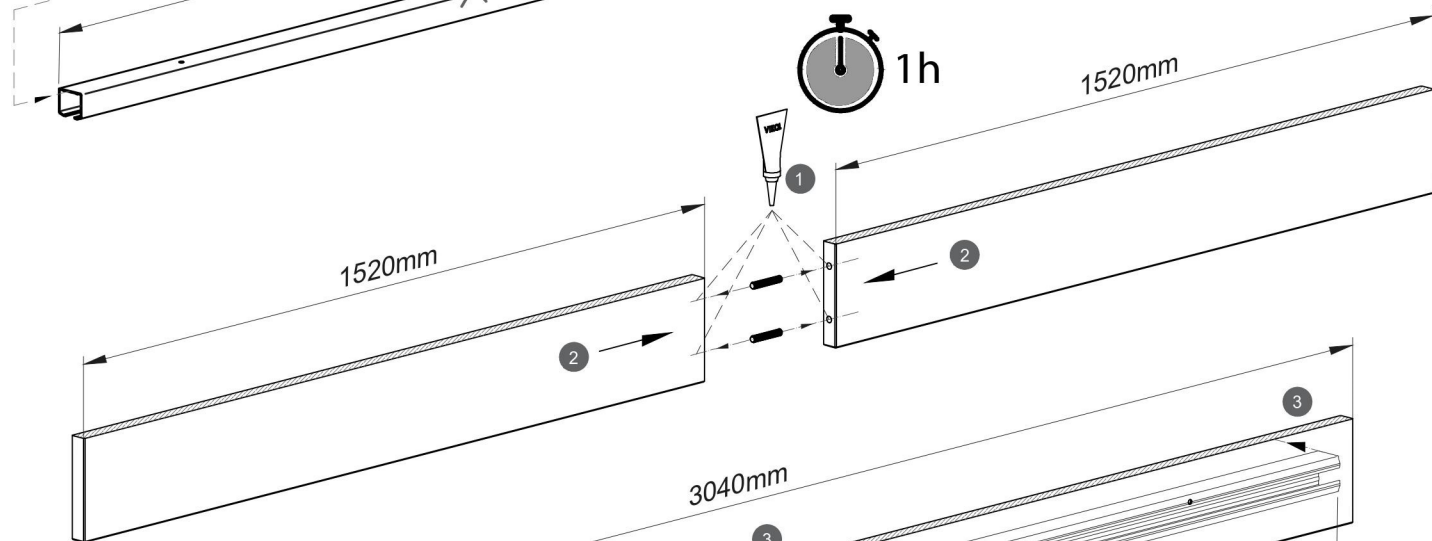
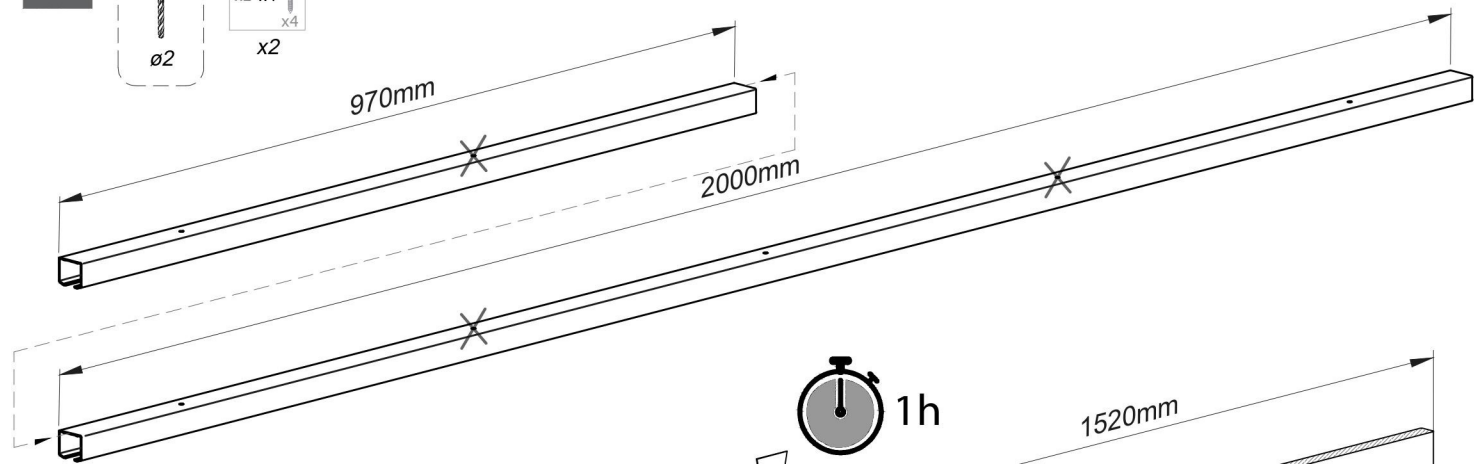


3b

"140"

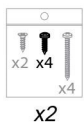


x2

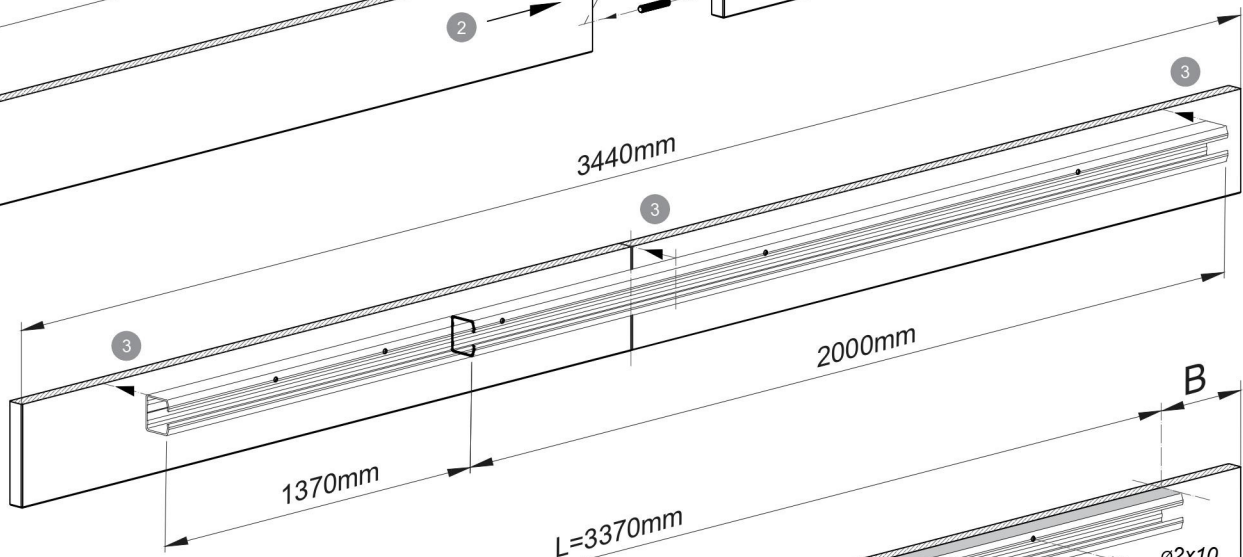
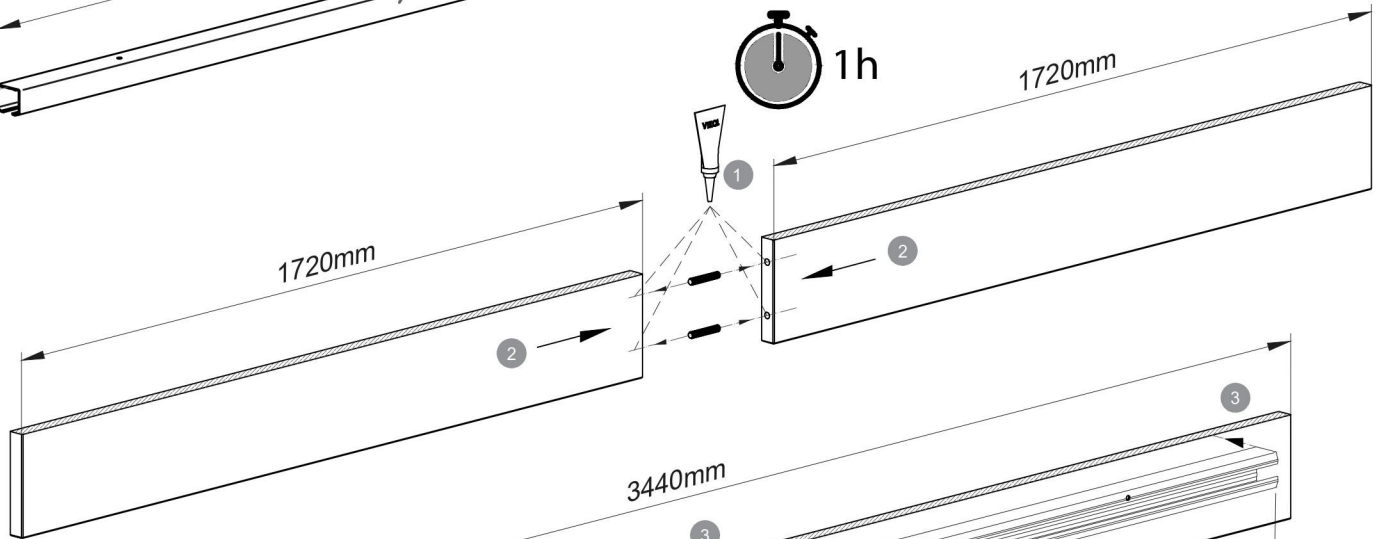
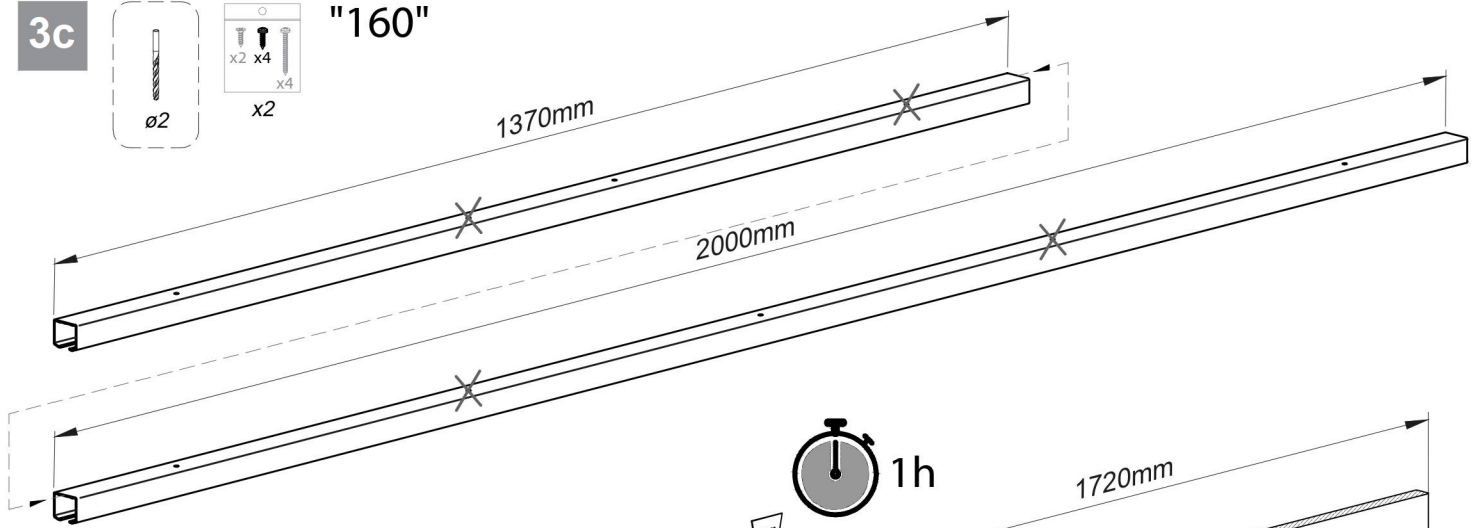


A=B

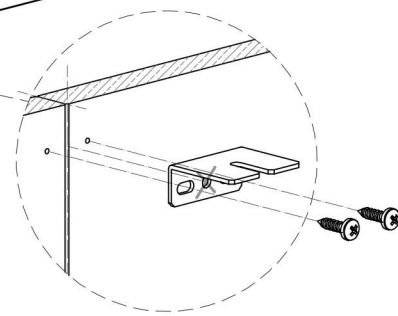
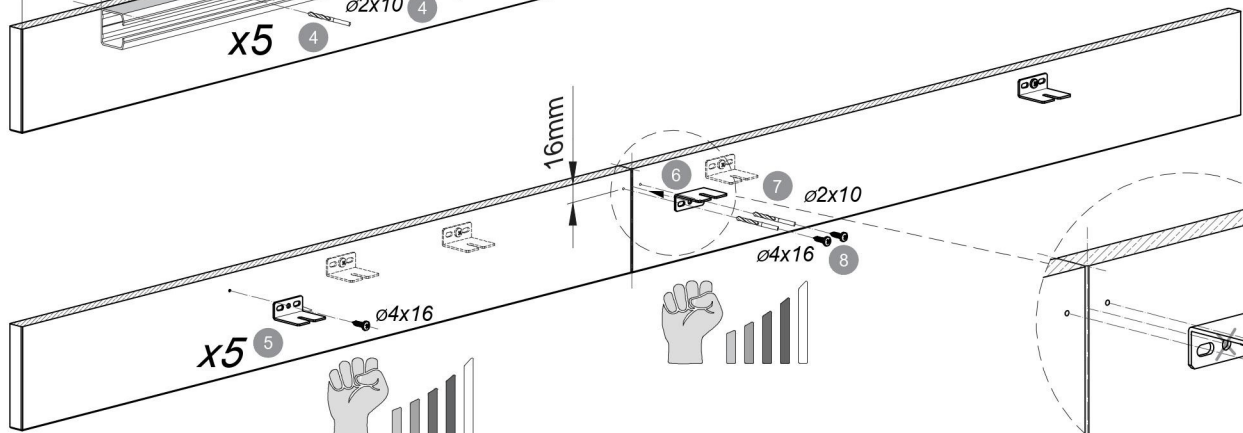
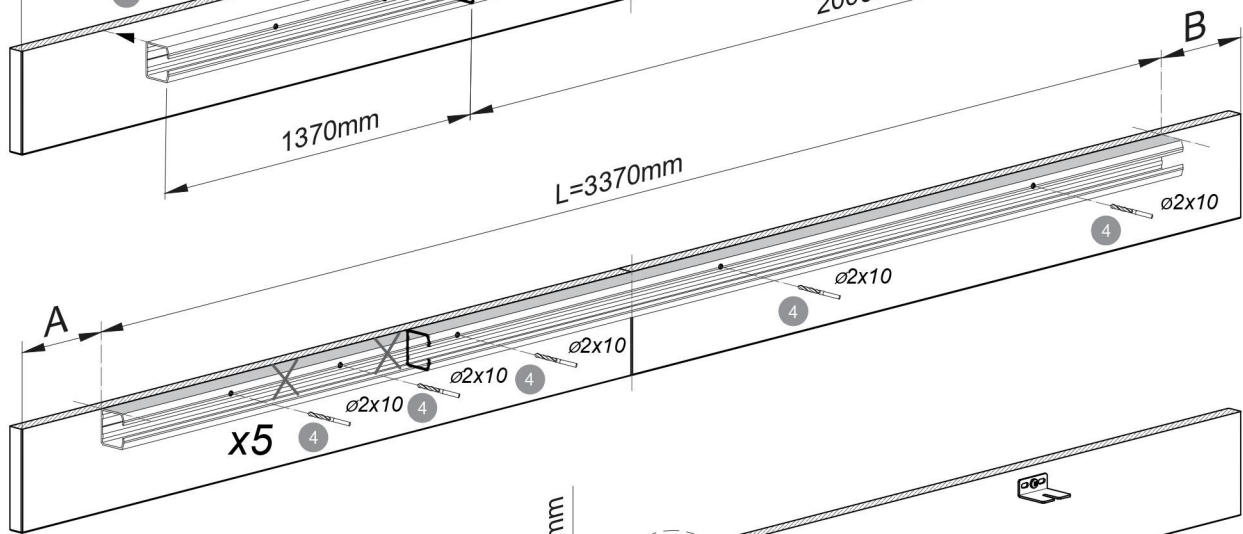
3c



"160"



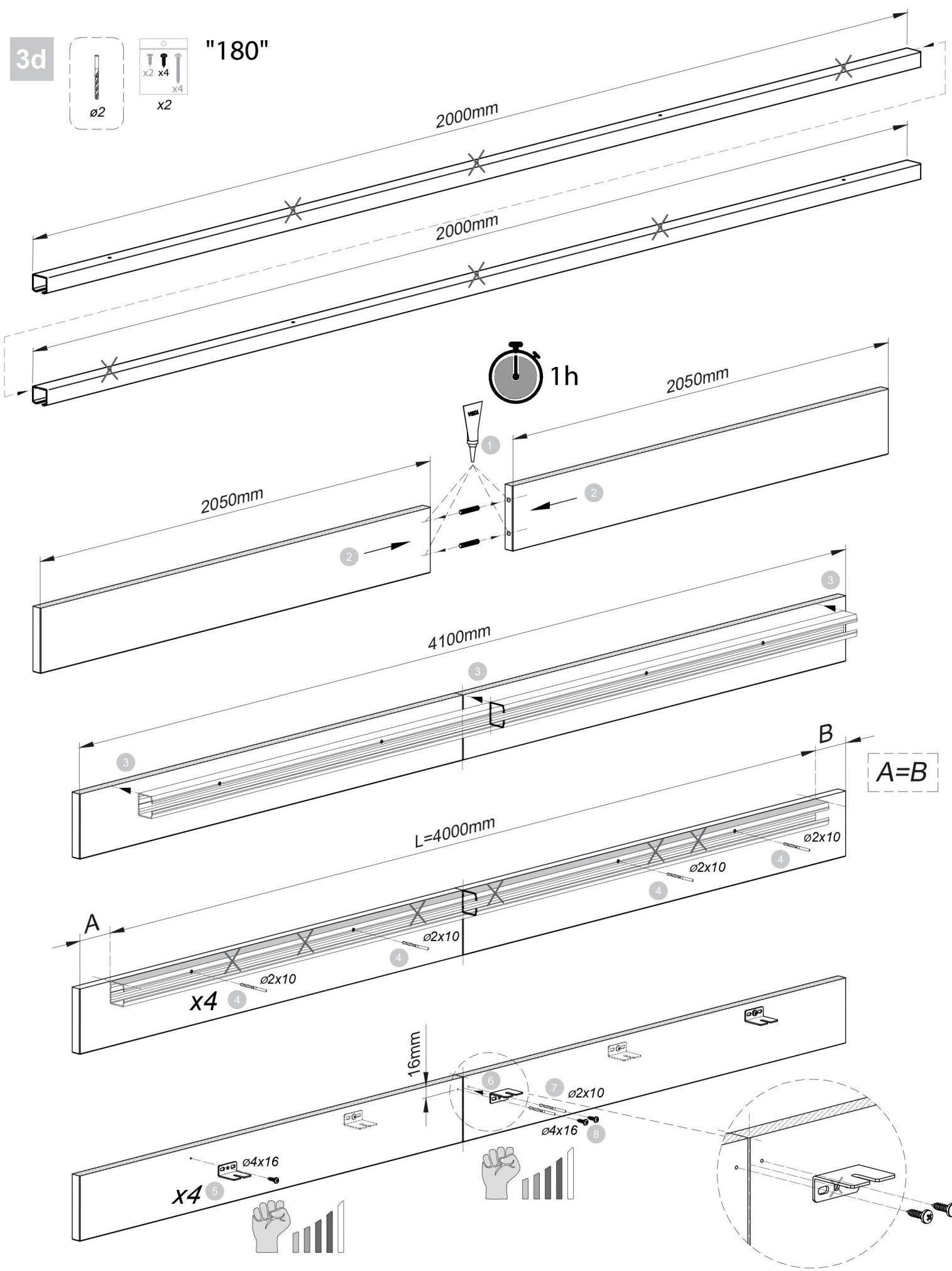
A=B



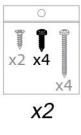
3d



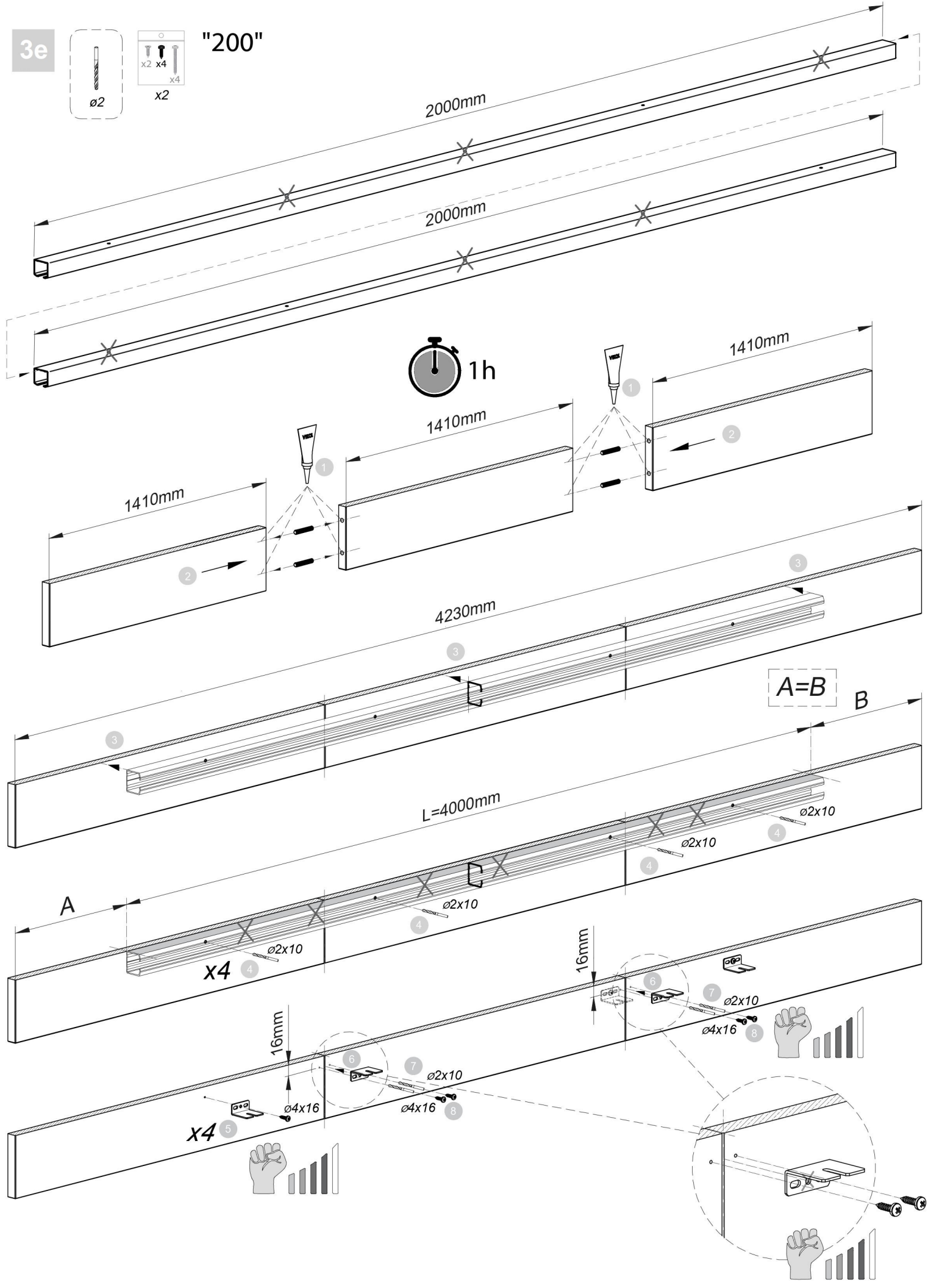
"180"



3e

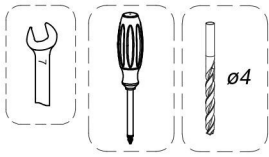


"200"





4a

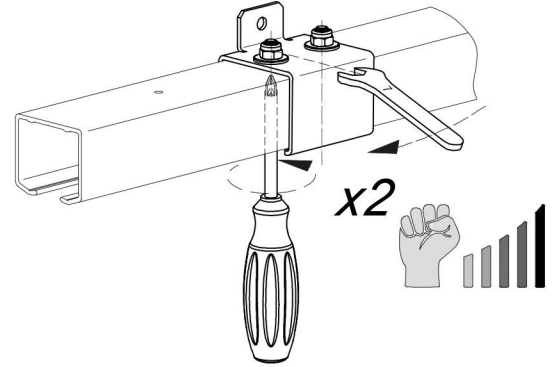
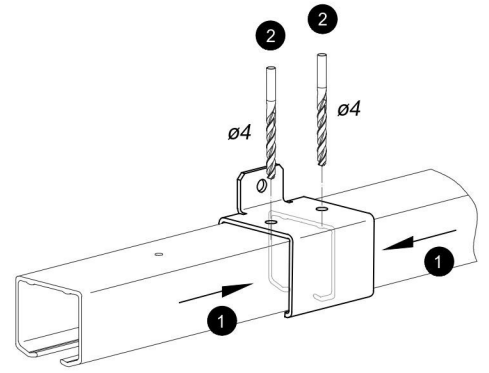
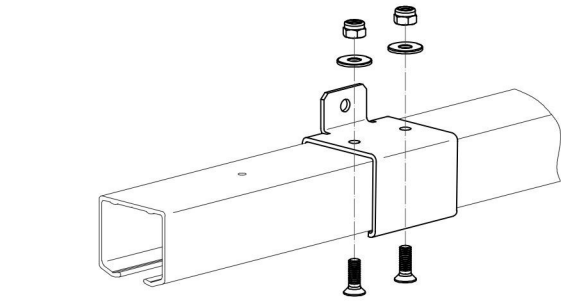
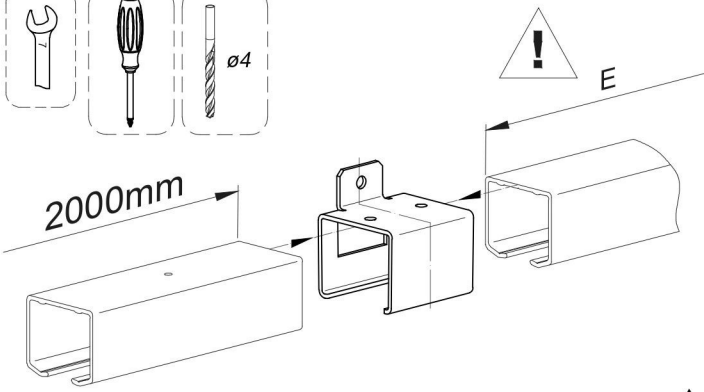


4b

4c

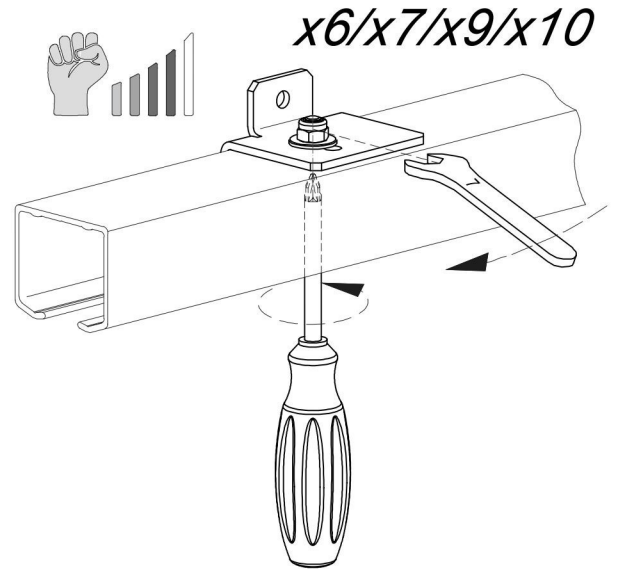
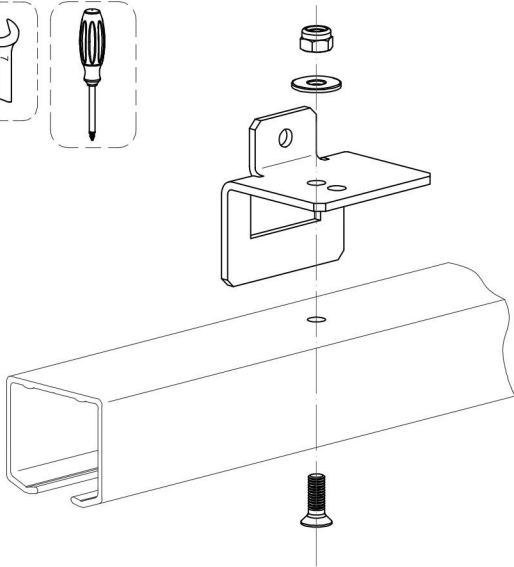
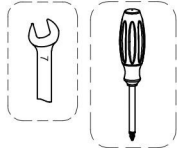
4d

4e

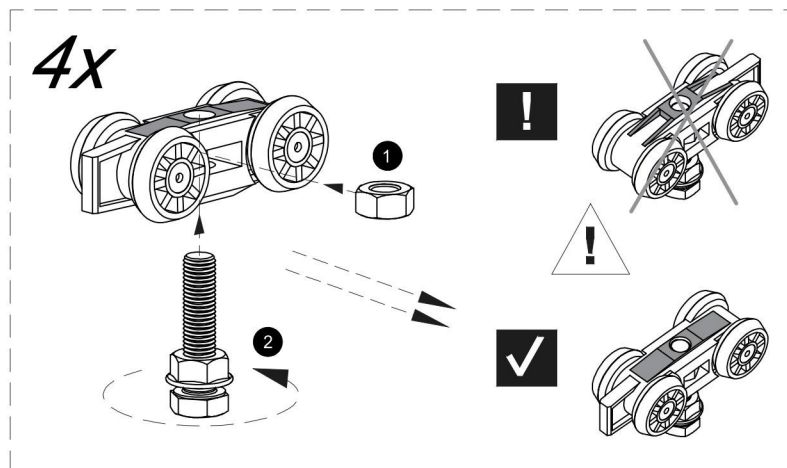


	"120"	"140"	"160"	"180"	"200"
E [mm]	570	970	1370	2000	

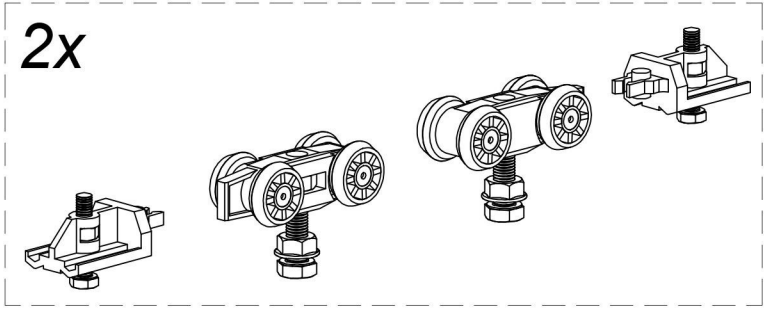
5



6



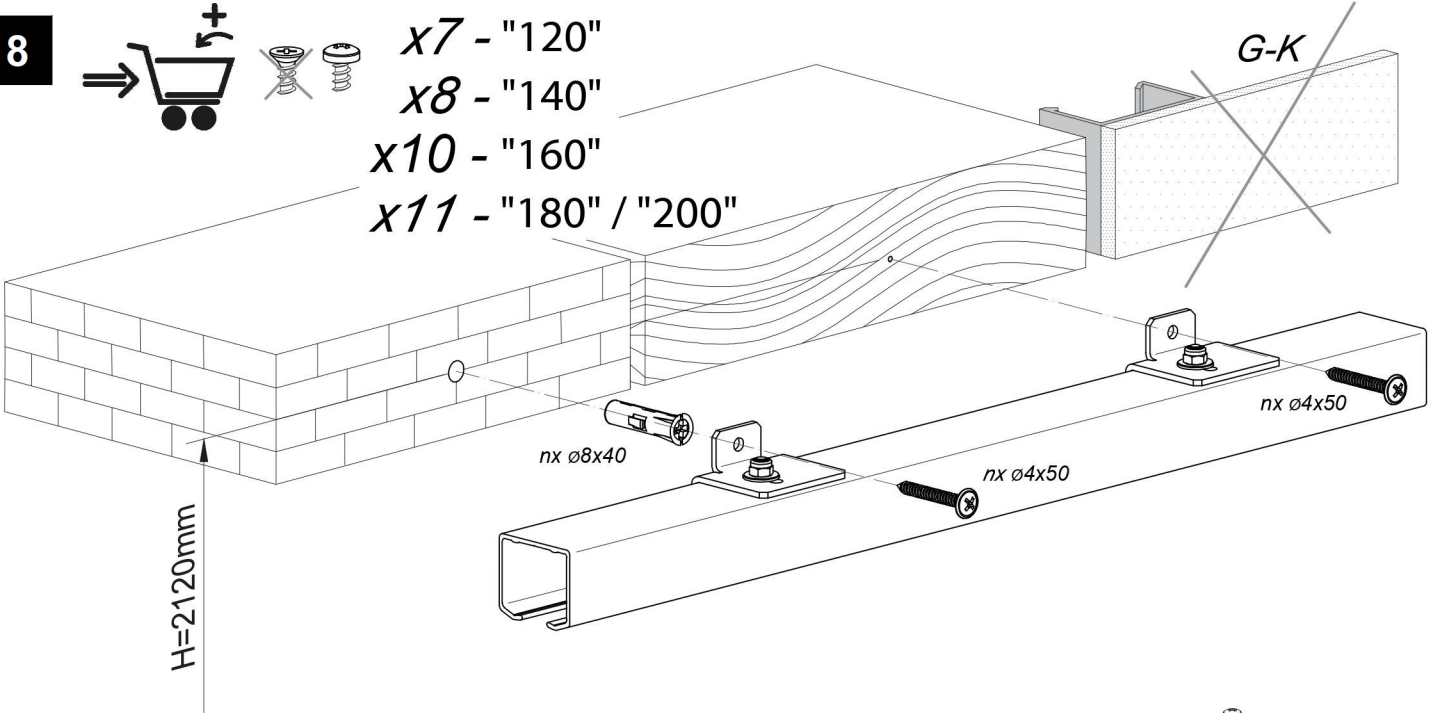
7



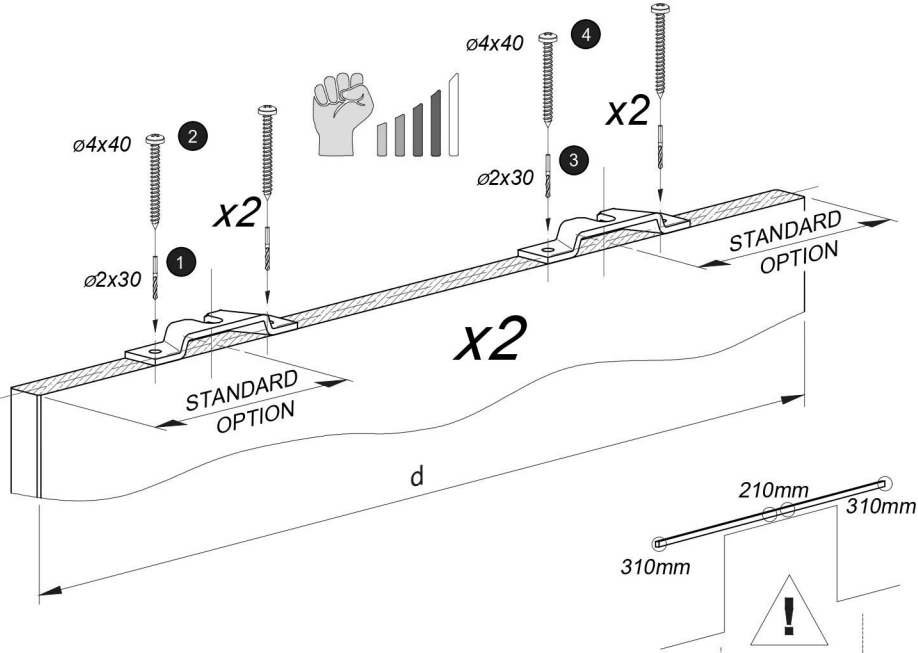
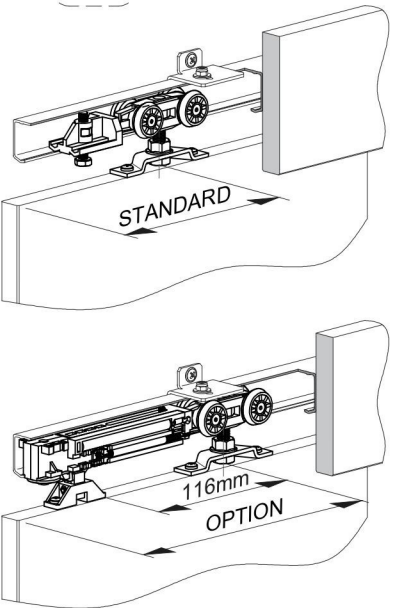
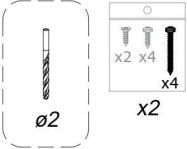
8



- x7 - "120"
- x8 - "140"
- x10 - "160"
- x11 - "180" / "200"

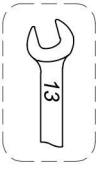


9

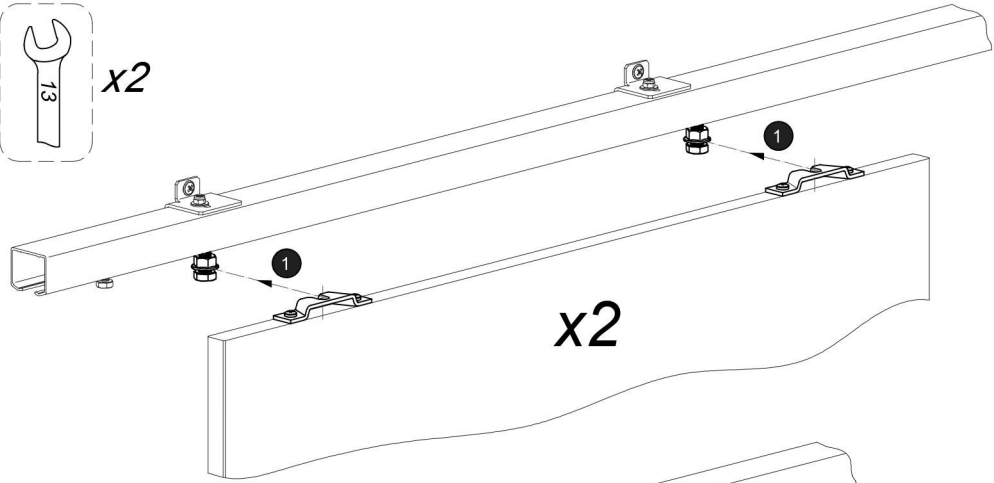


	d [mm]	660 "120"	760 "140"	860 "160"	960 "180"	1060 "200"
STANDARD [mm]			100			160
OPTION [mm]			180			210/310

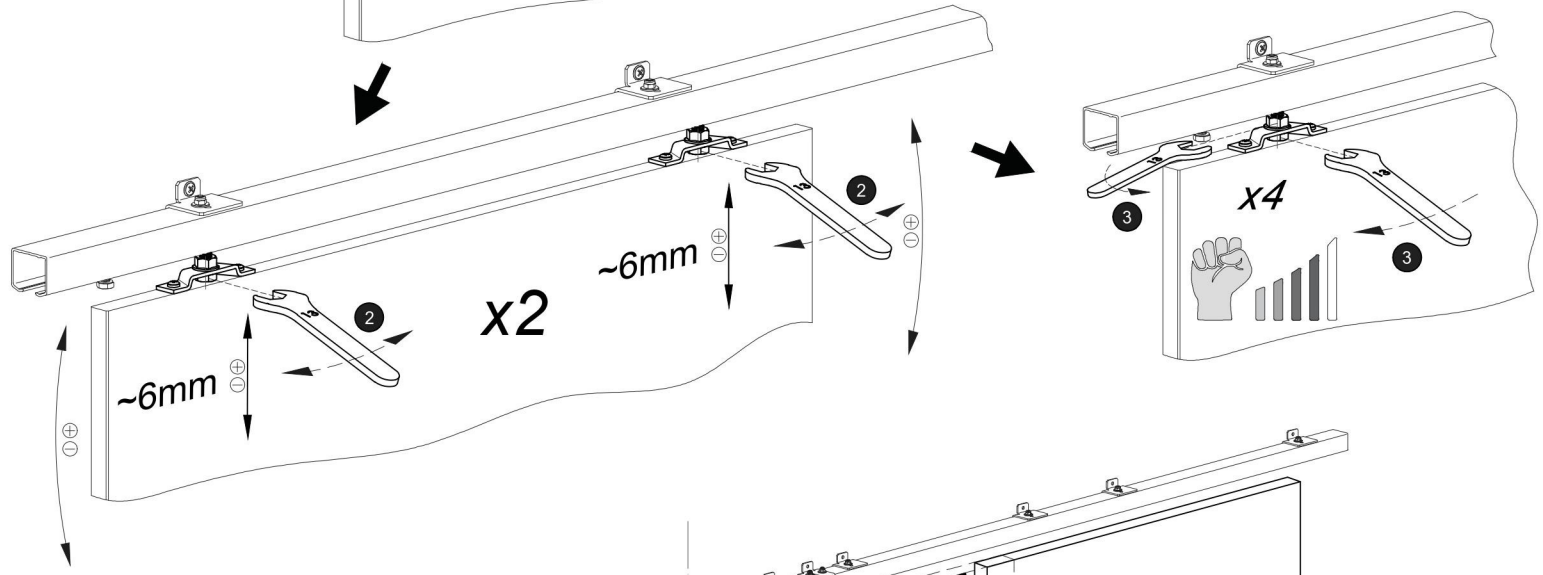
10



x2

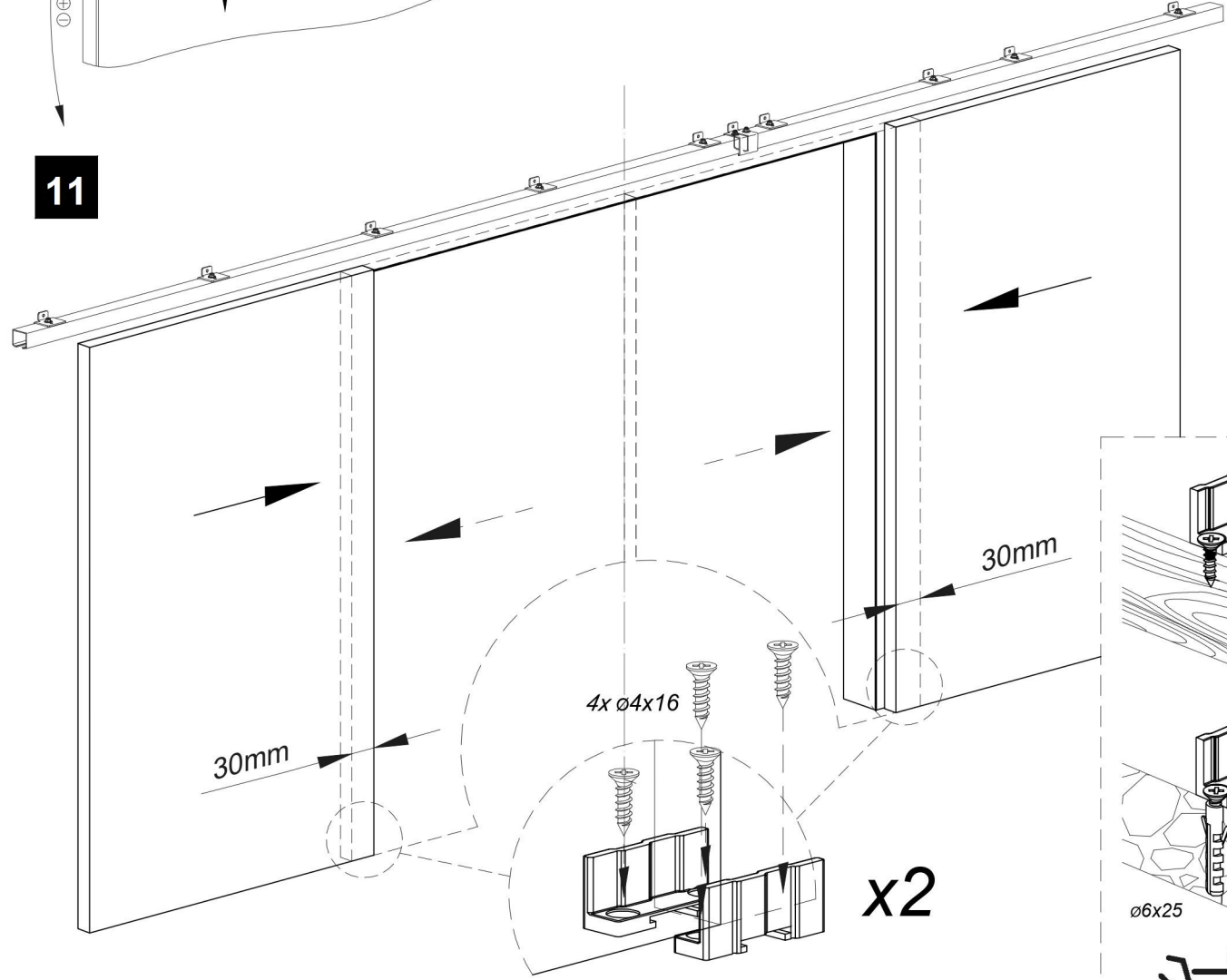


x2

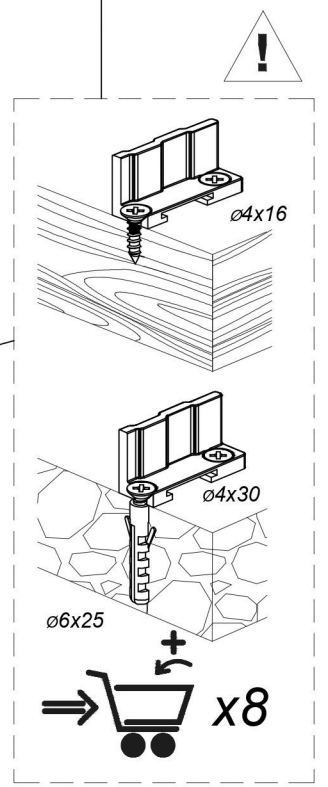


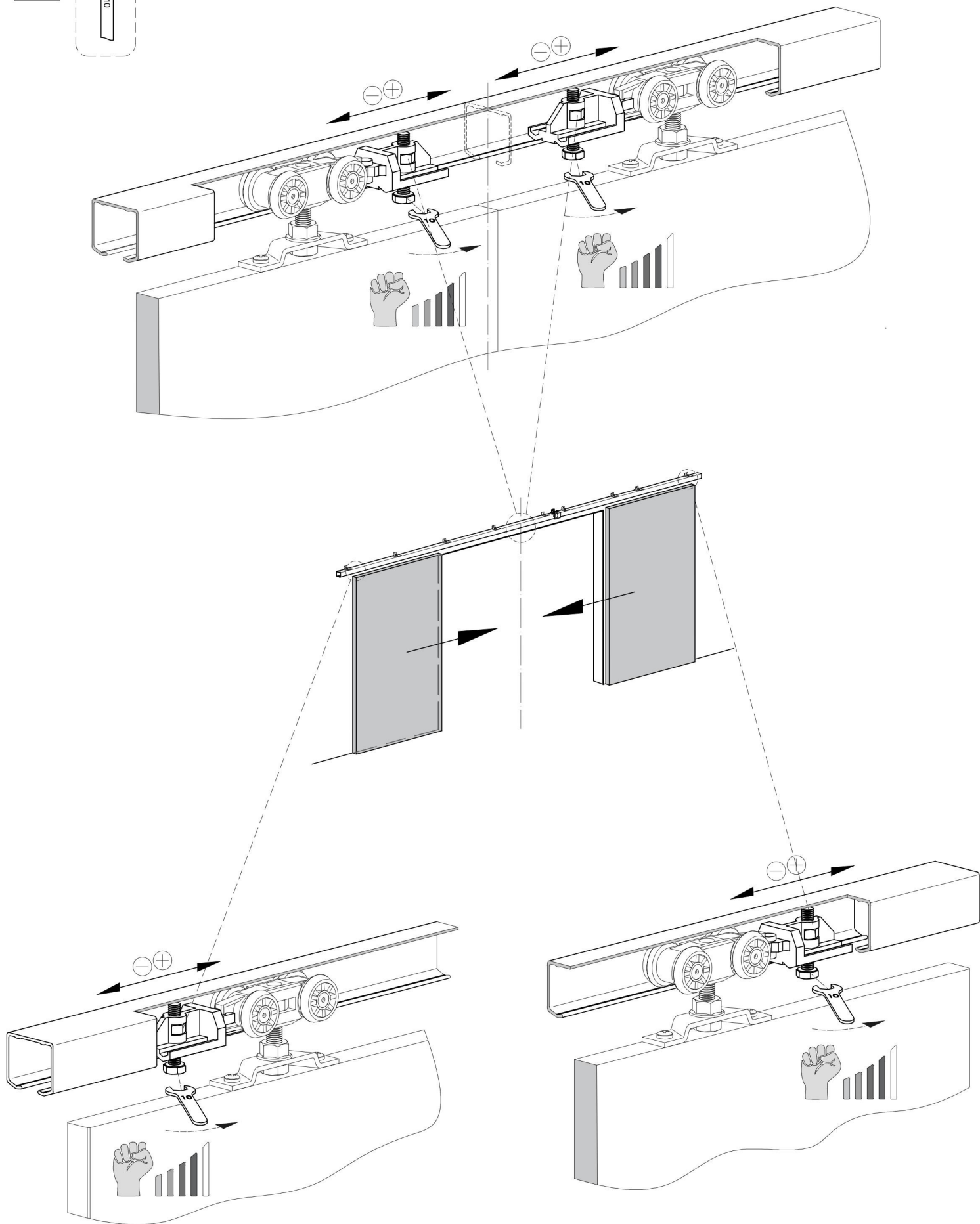
x2

11



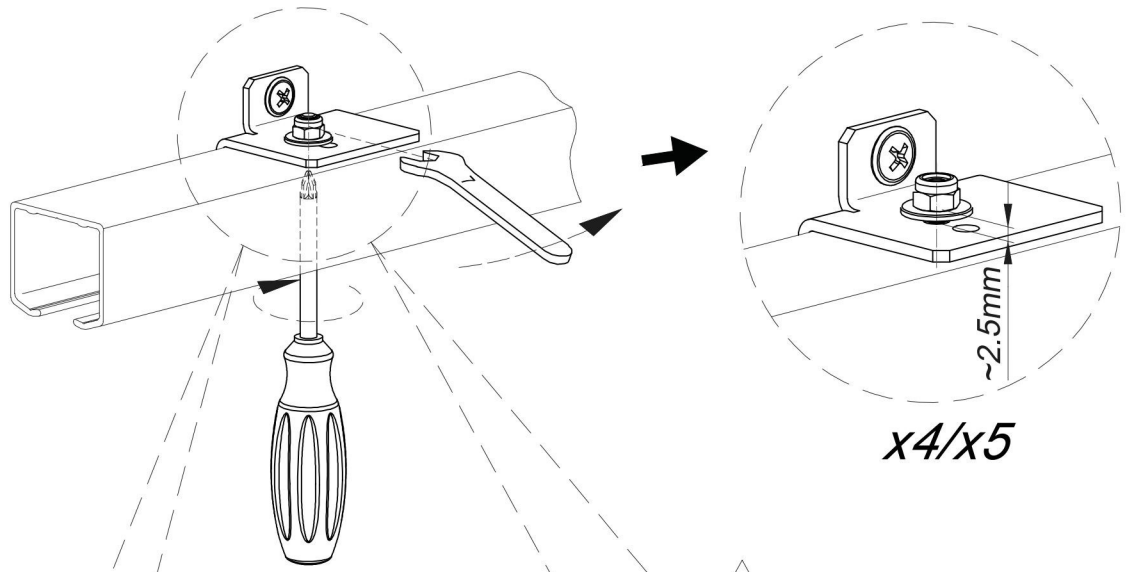
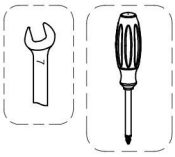
x2







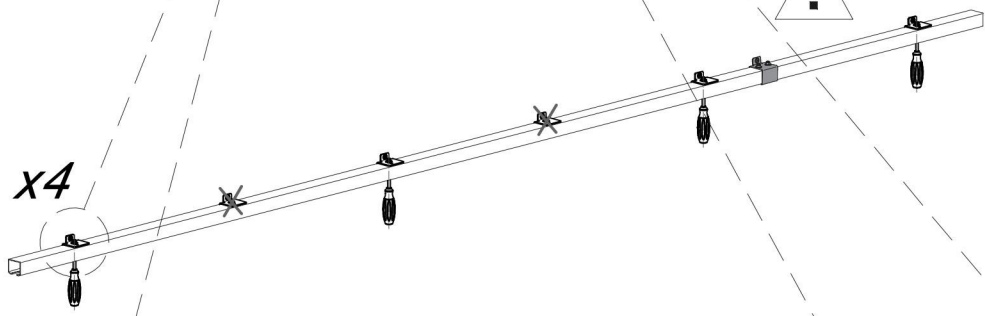
13



13a

"120"

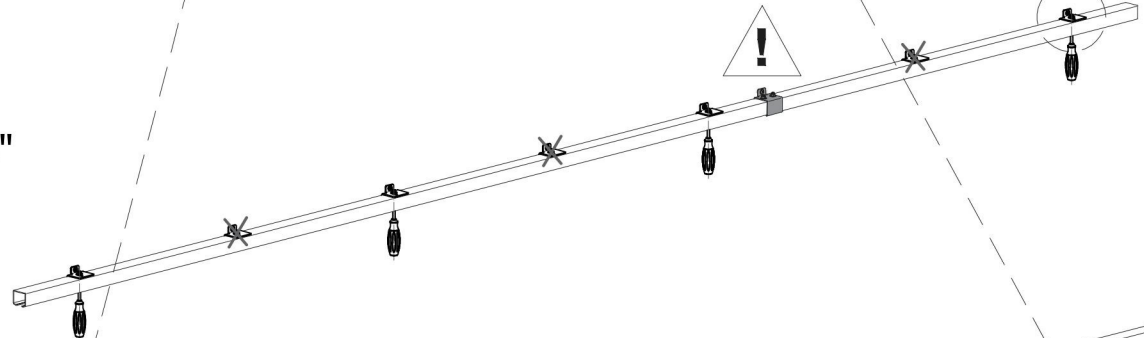
x4



13b

"140"

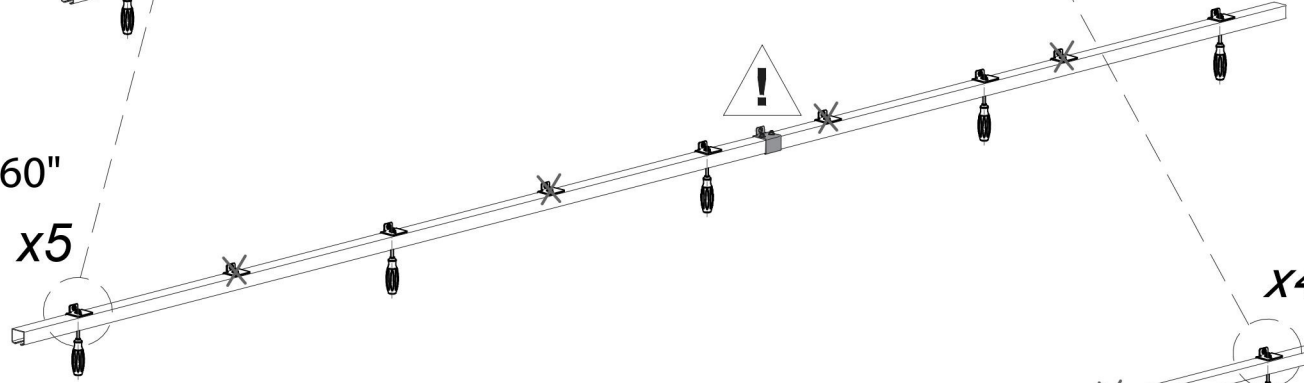
x4



13c

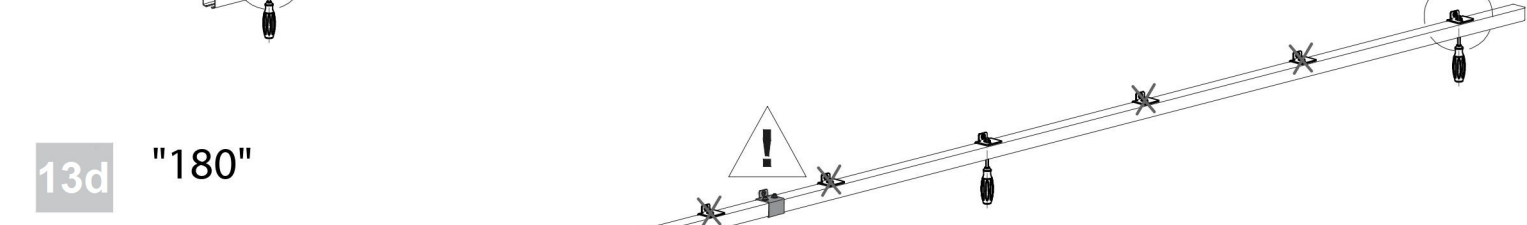
"160"

x5



13d

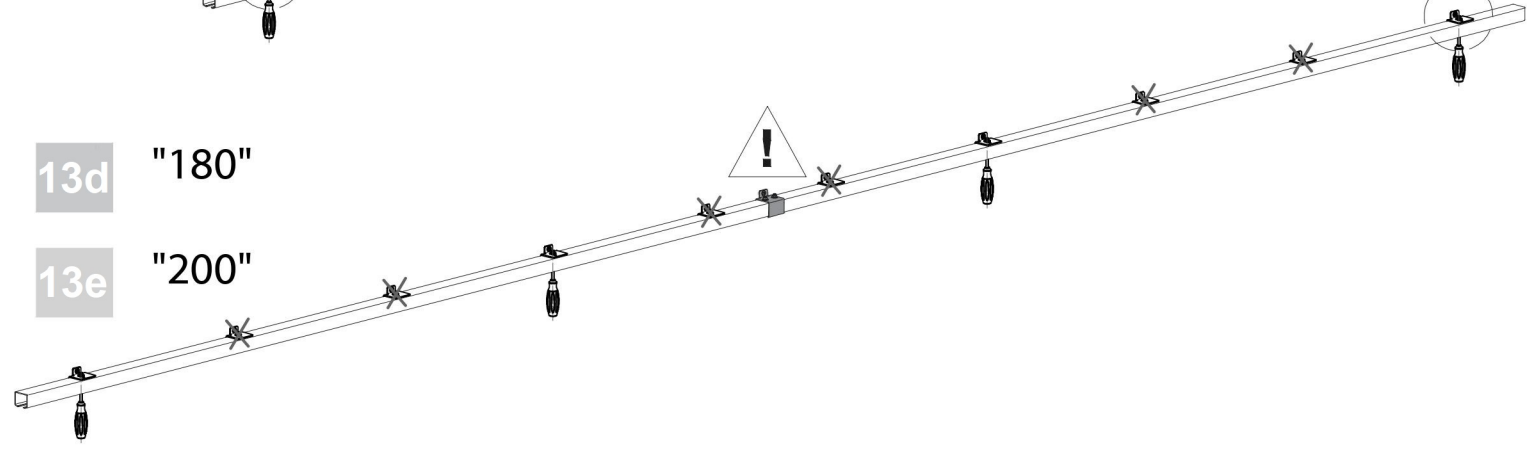
"180"



13e

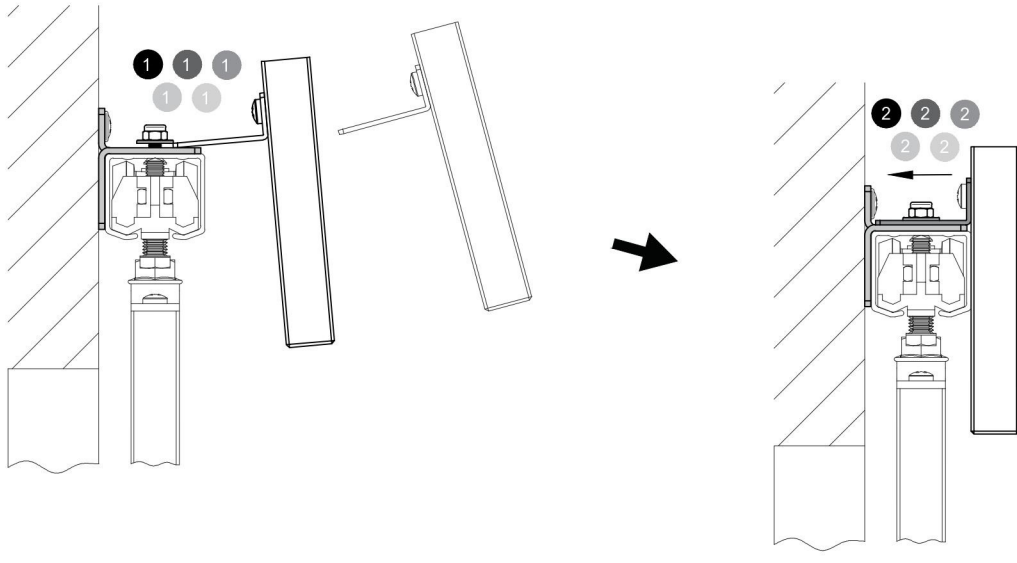
"200"

x4



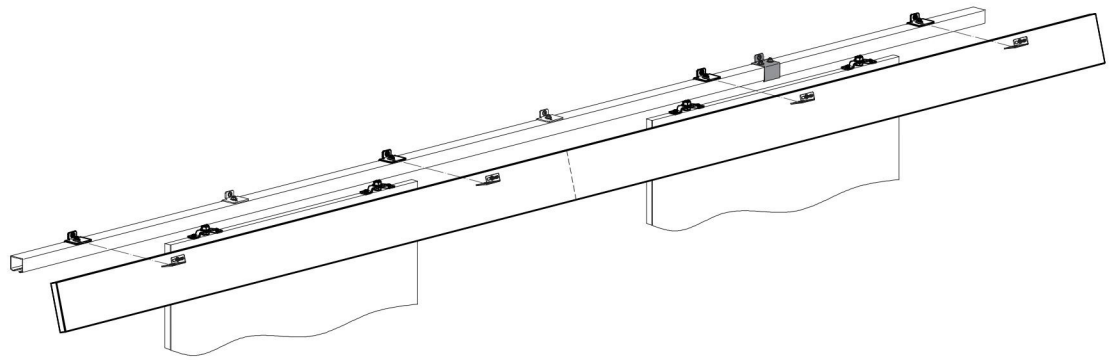
14

x4/x5



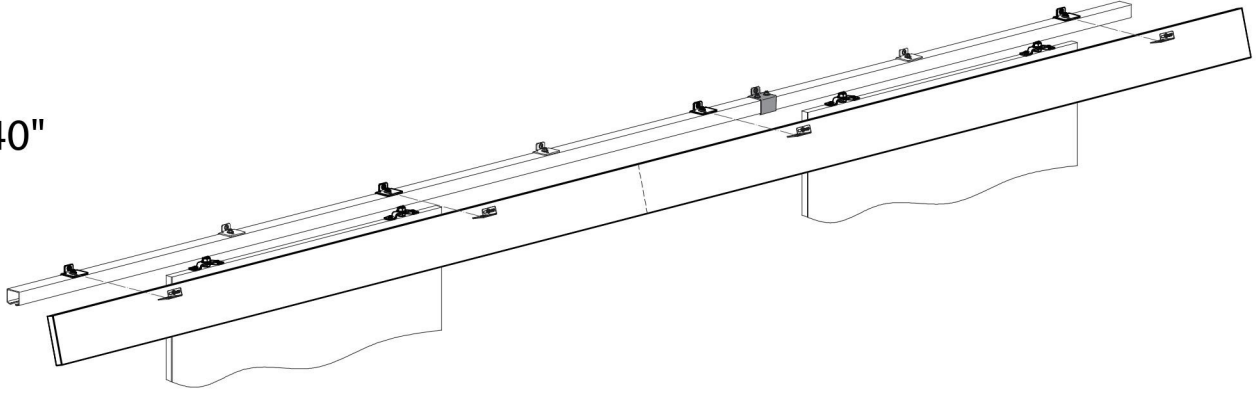
14a

"120"



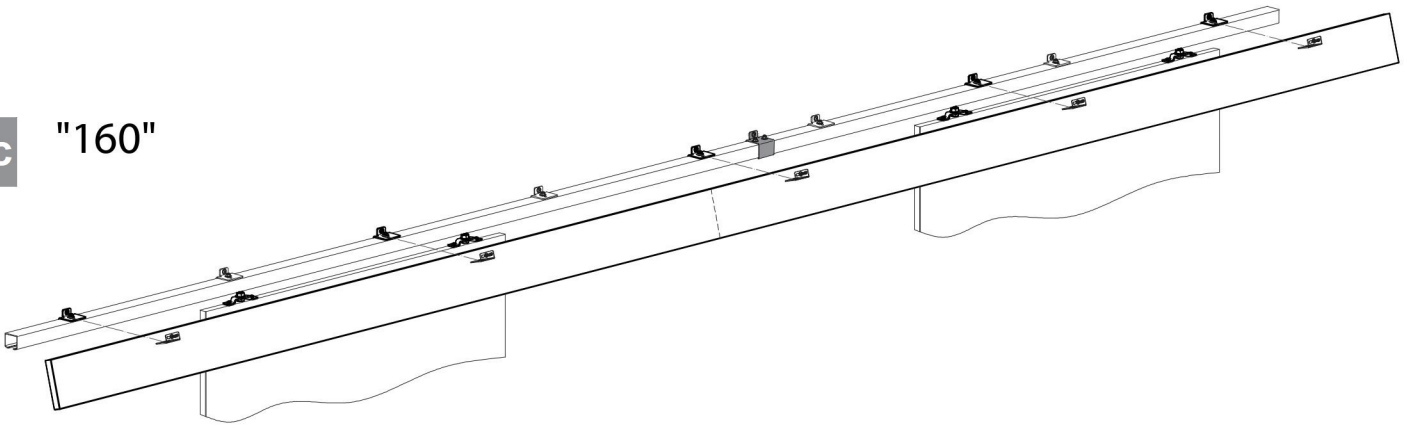
14b

"140"

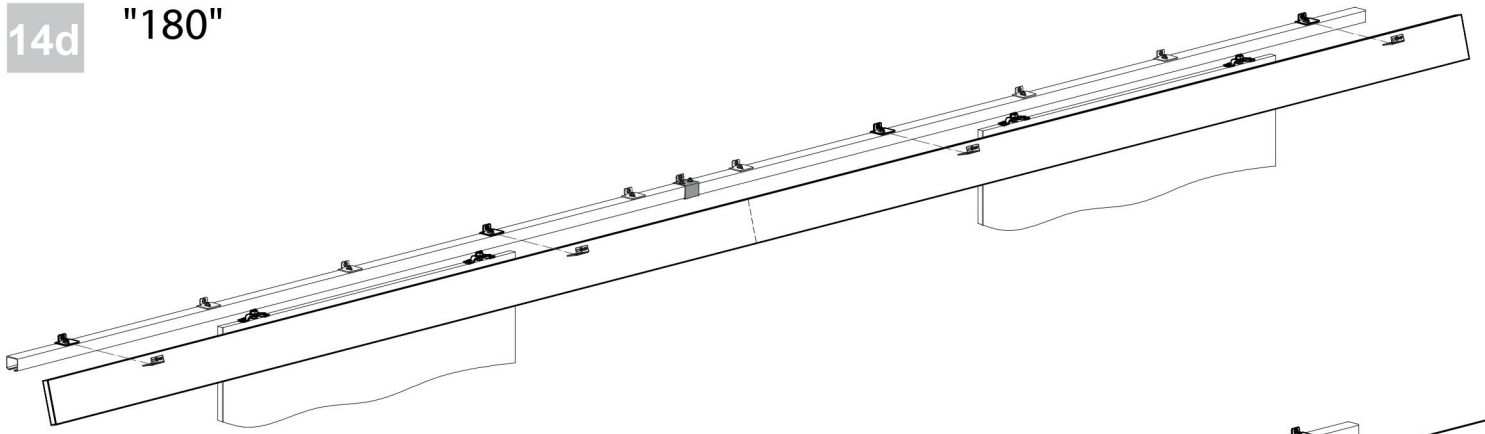


14c

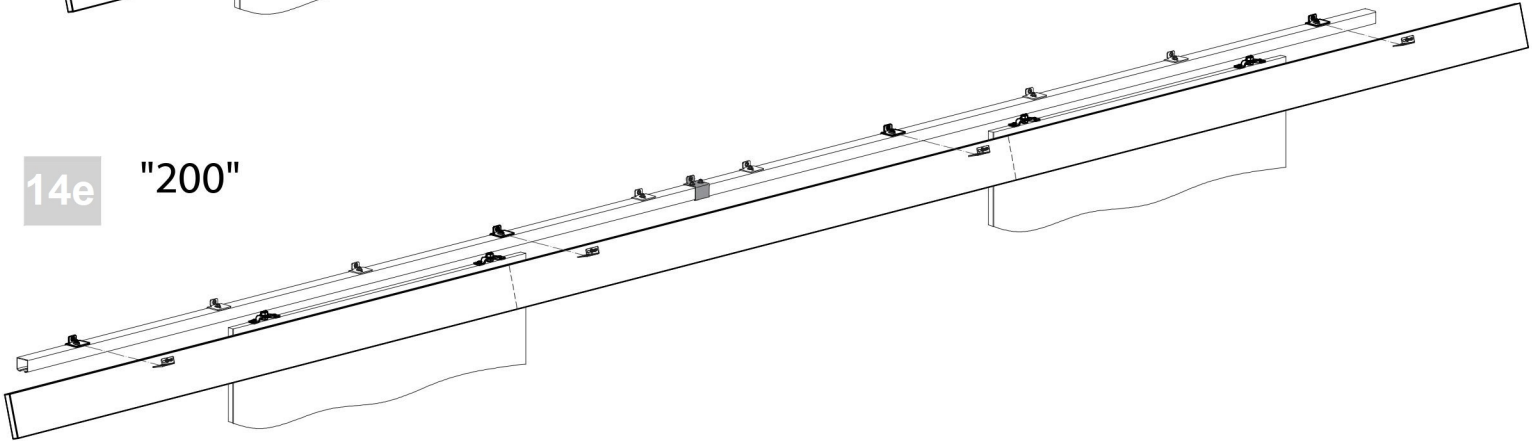
"160"



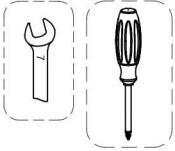
14d "180"



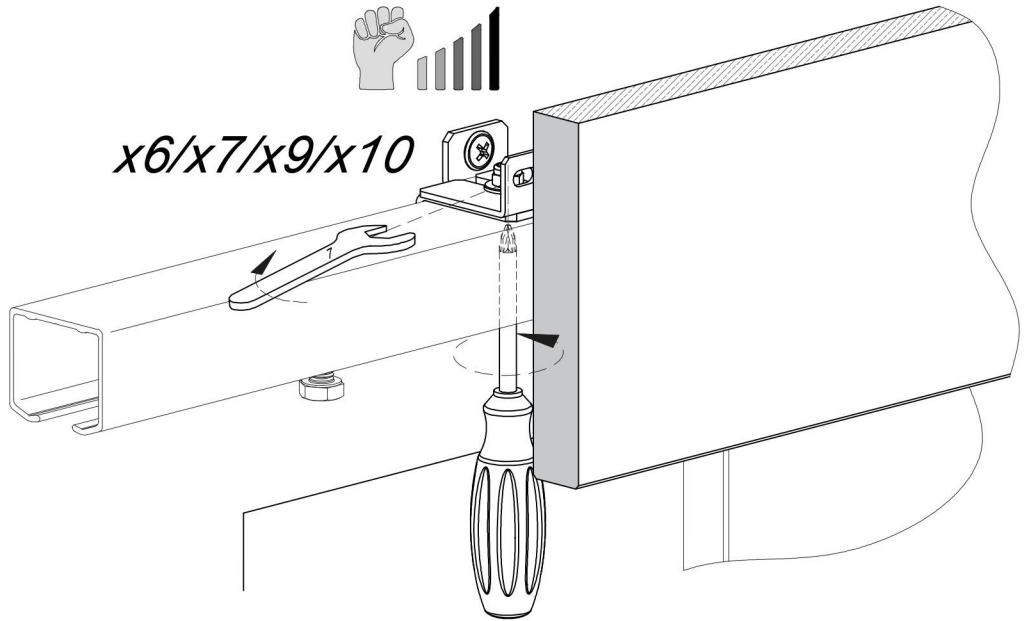
14e "200"



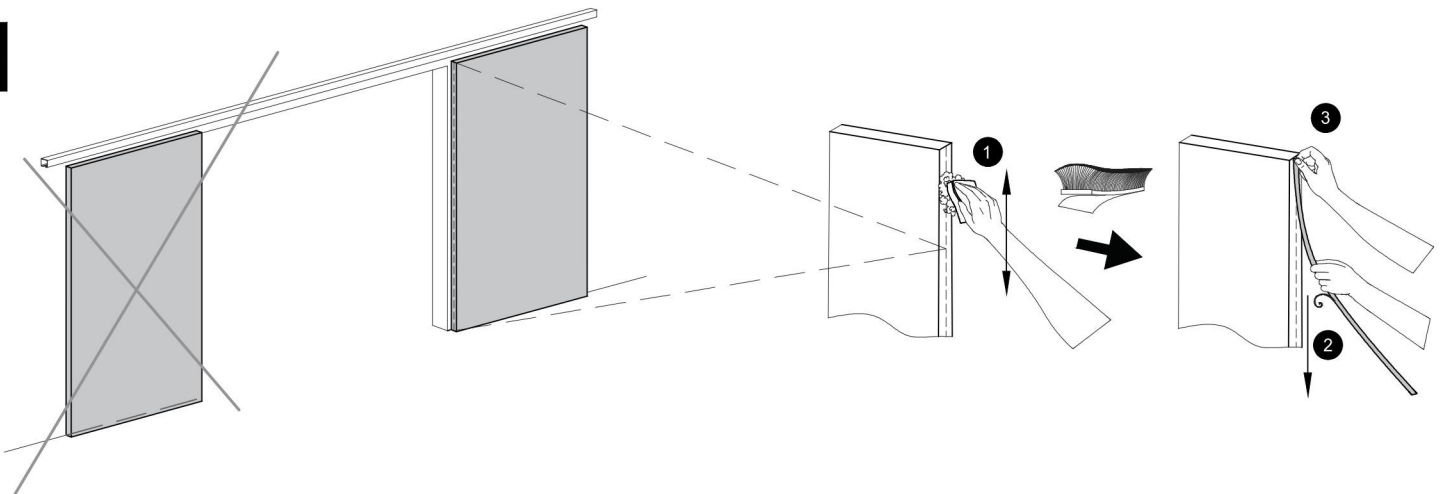
15

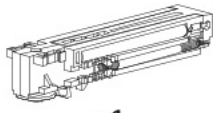


x6/x7/x9/x10



16





x1



x1



x2



x1

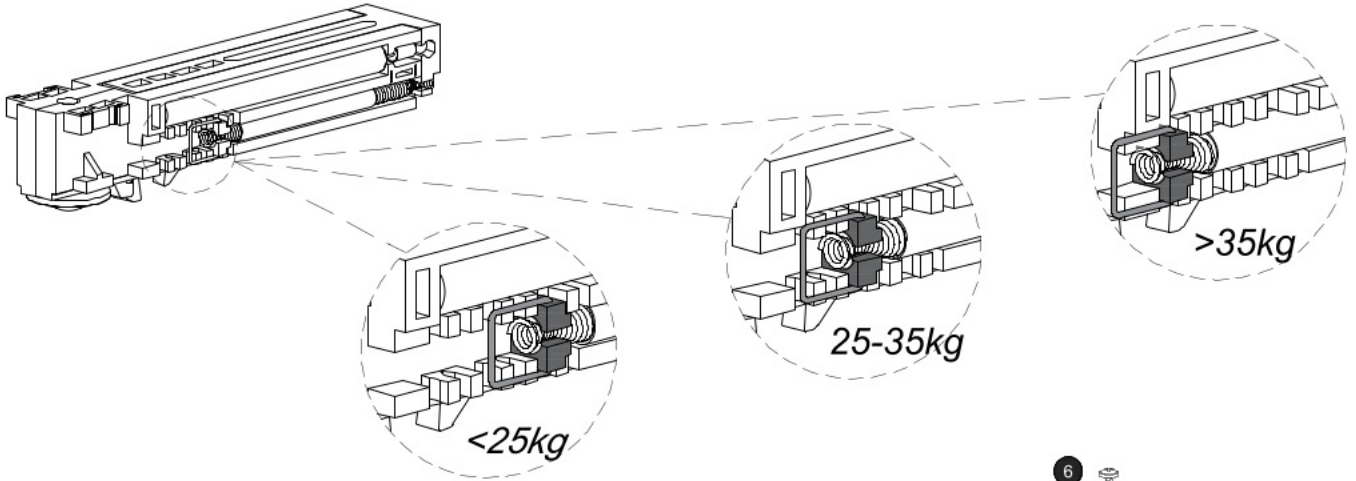


x1

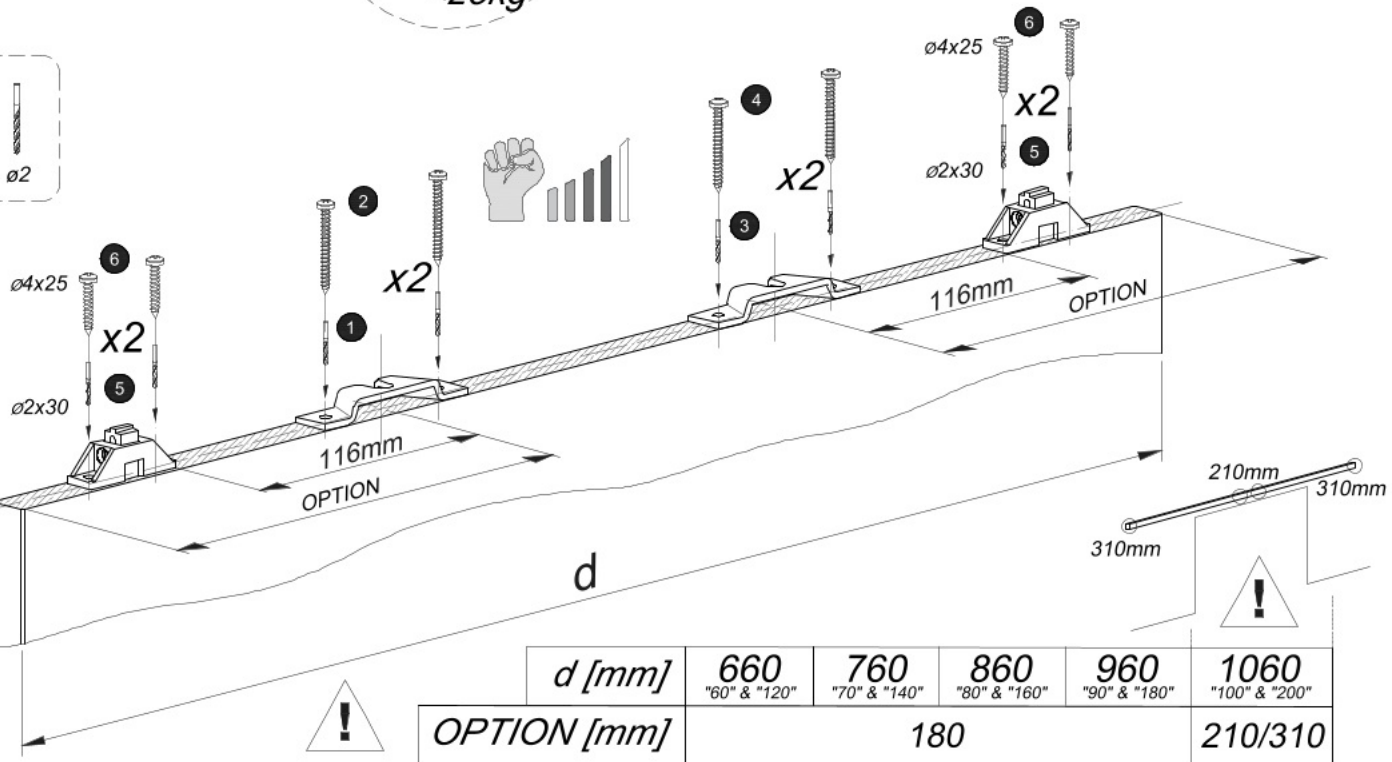


x1

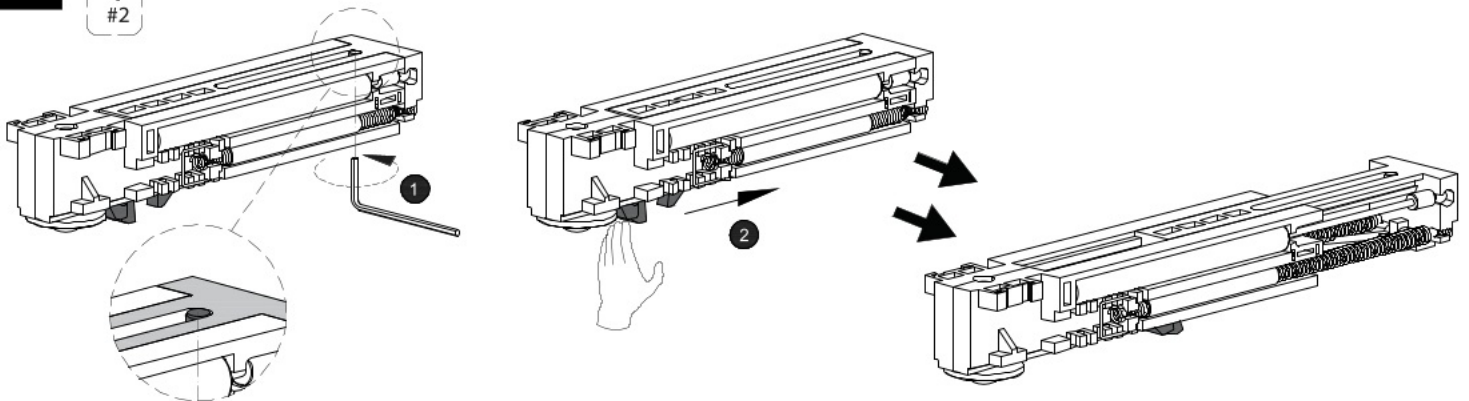
1



2

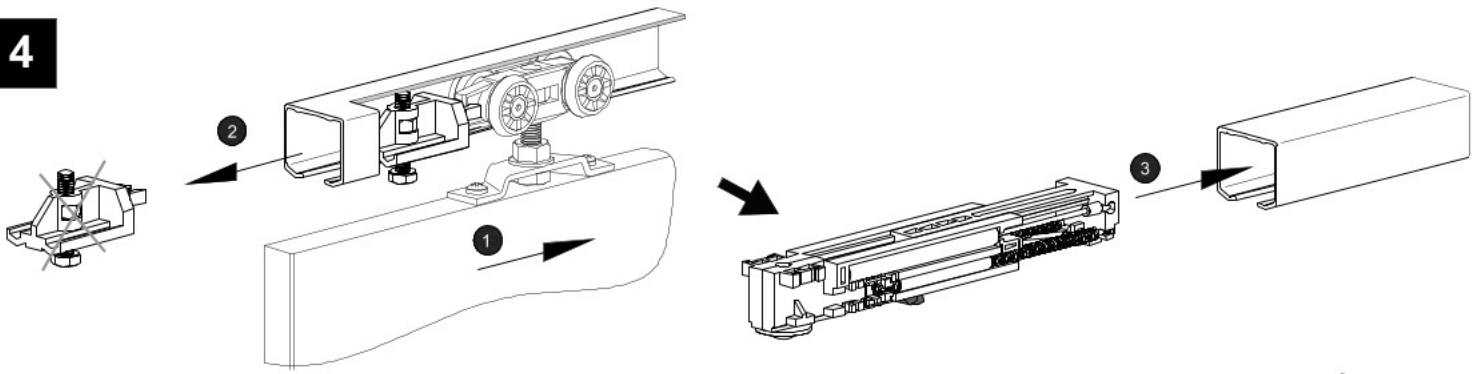


3

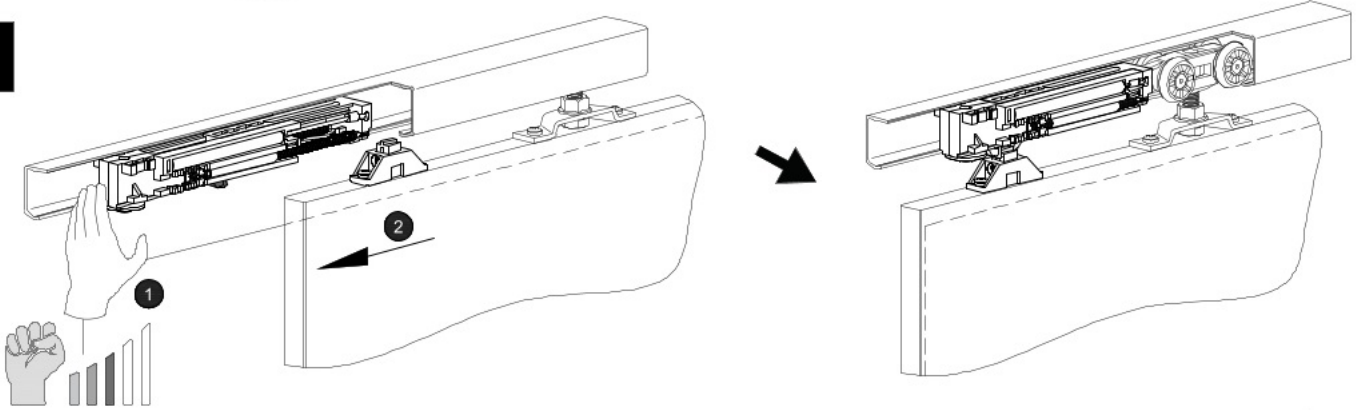




4

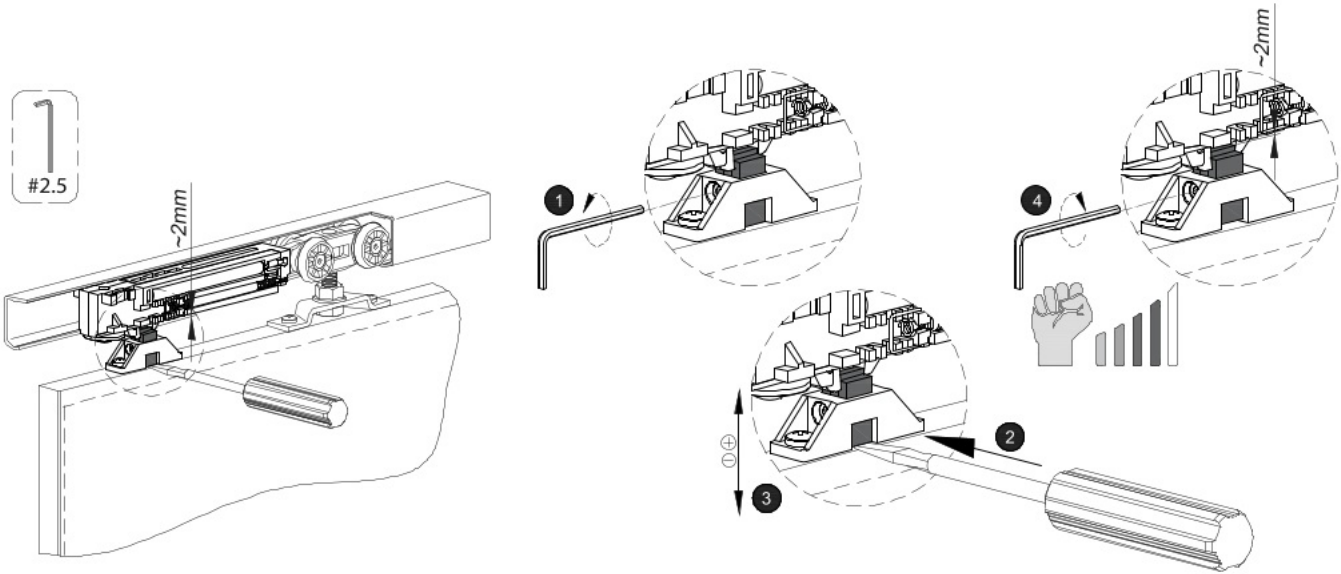


5



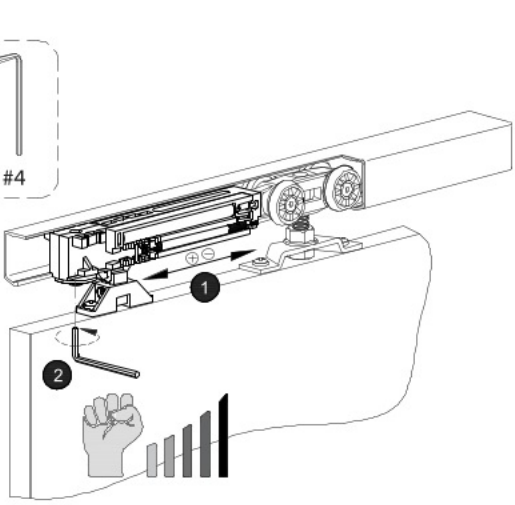
7

#2.5



8

#4



9

#2

