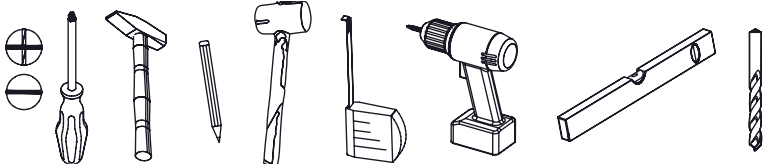
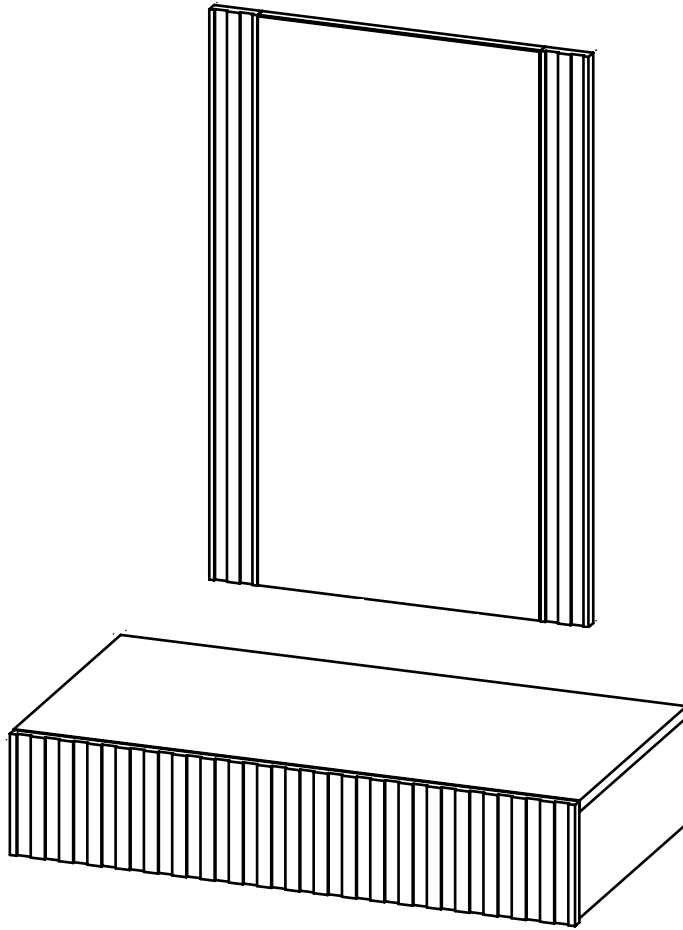
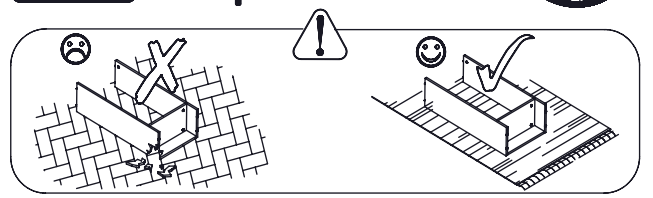
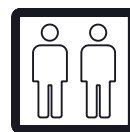


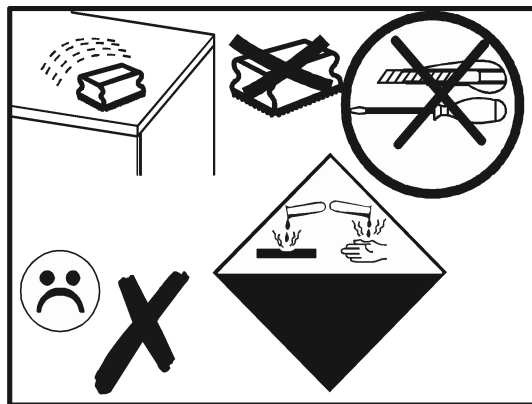
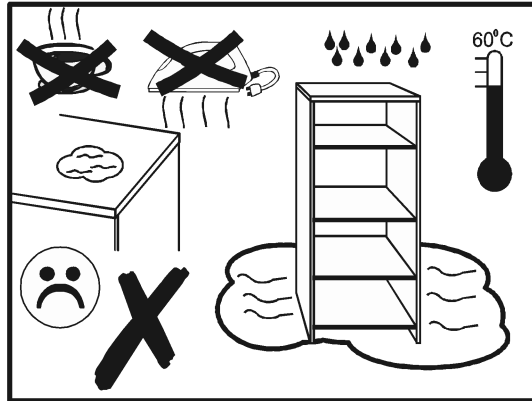
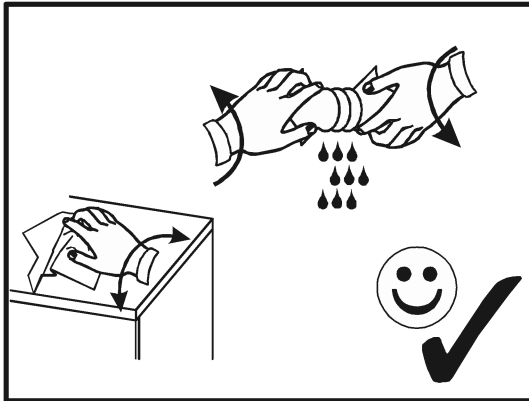
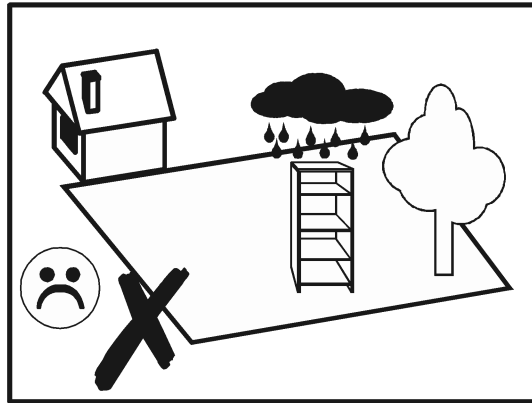
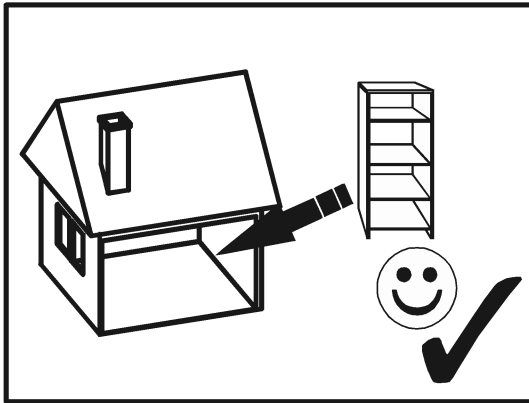
10  
9  
8  
7  
6  
5  
4  
3  
2  
1  
0



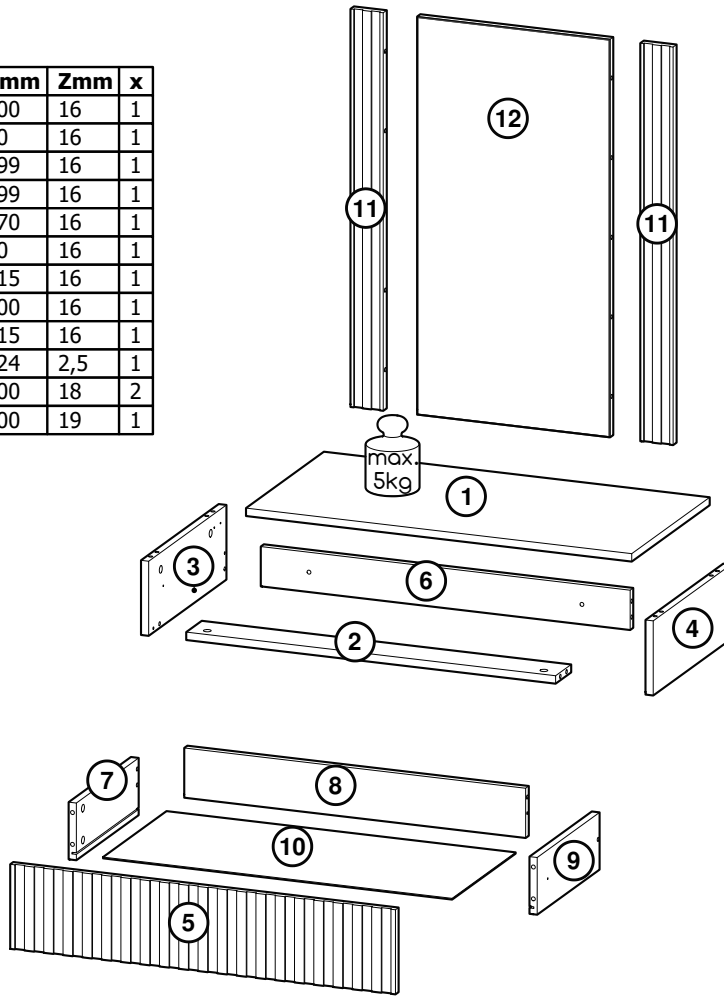
[ 1 ]



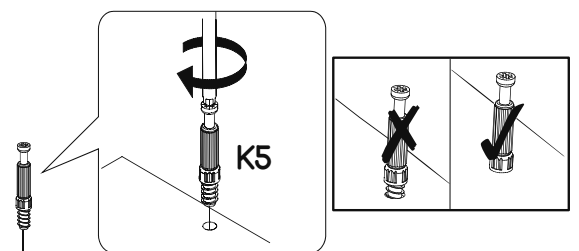
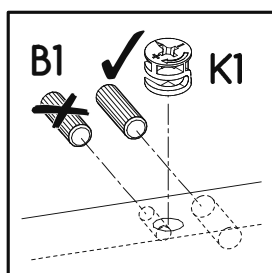
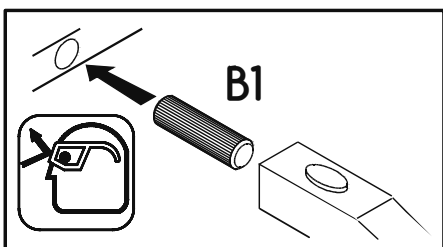
v 1.0



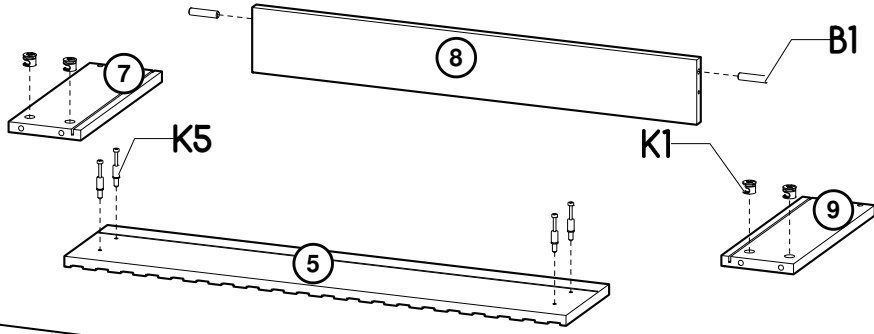
Nr	Xmm	Ymm	Zmm	x
1	800	400	16	1
2	766	80	16	1
3	150	399	16	1
4	150	399	16	1
5	799	170	16	1
6	766	80	16	1
7	320	115	16	1
8	708	100	16	1
9	320	115	16	1
10	326	724	2,5	1
11	68	800	18	2
12	400	800	19	1



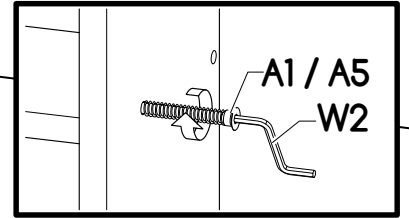
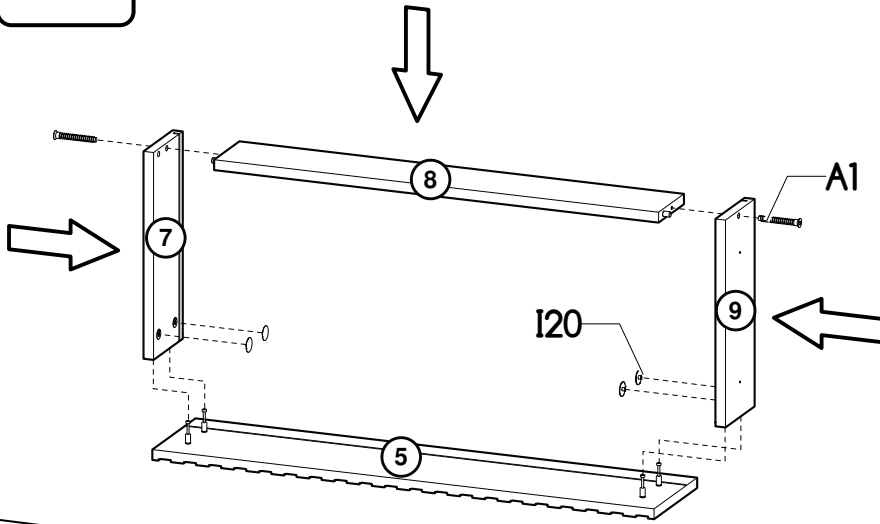
<b>U8</b> 6x Ø10x50 	<b>U14</b> 2x L52mm 	<b>A1</b> 6x Ø7x50 	<b>A2</b> 2x Ø7x70 	<b>I12</b> 2x Ø4/Ø11 	<b>U7</b> 2x 
<b>U6</b> 2x Ø8x40 	<b>B1</b> 10x Ø8x35 	<b>K5</b> 12x 34mm 	<b>K1</b> 24x Ø15x12 	<b>W2</b> 1x 4mm 	<b>G20</b> 8x Ø5x13 
<b>I20</b> 4x Ø4/Ø17 	<b>H12</b> 2x 300mm 	<b>W4</b> 8x 	<b>G3</b> 4x 4x30 	<b>U2</b> 2x 	<b>K6</b> 6x 65mm 
<b>G6</b> 4x 3x13 	<b>B3</b> 4x Ø8x50 				



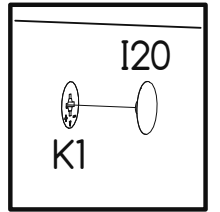
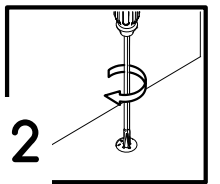
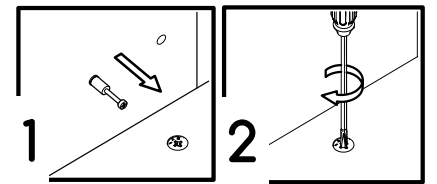
I



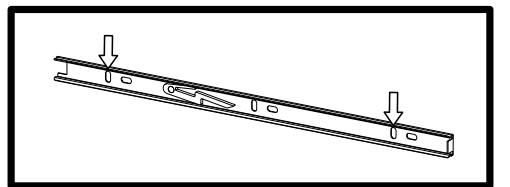
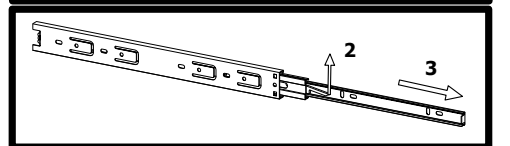
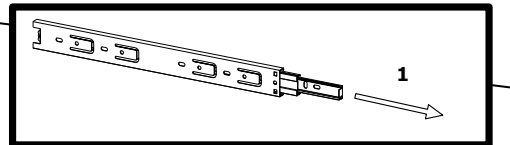
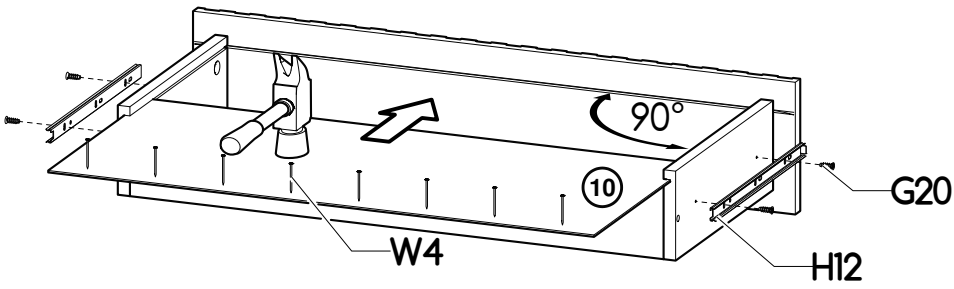
II



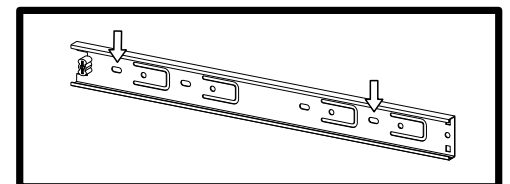
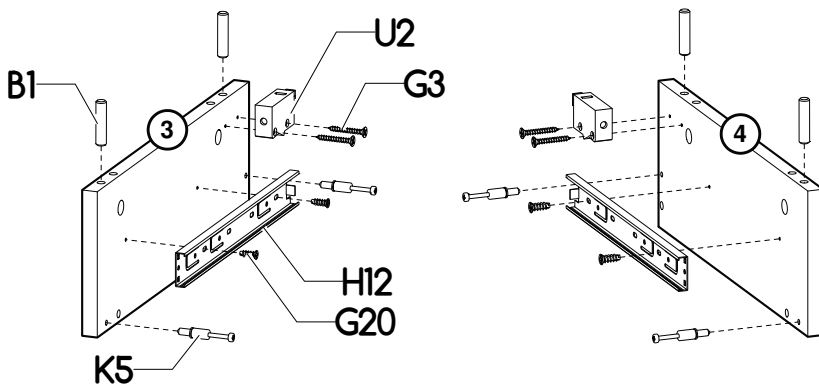
**i**



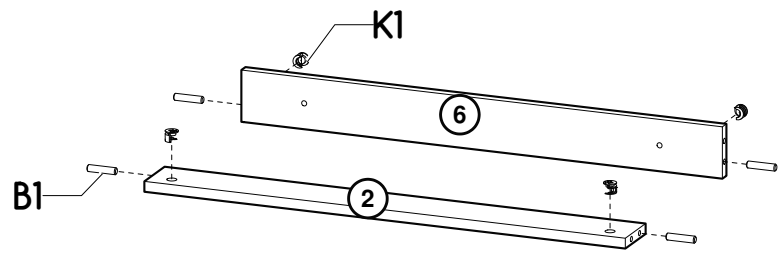
III



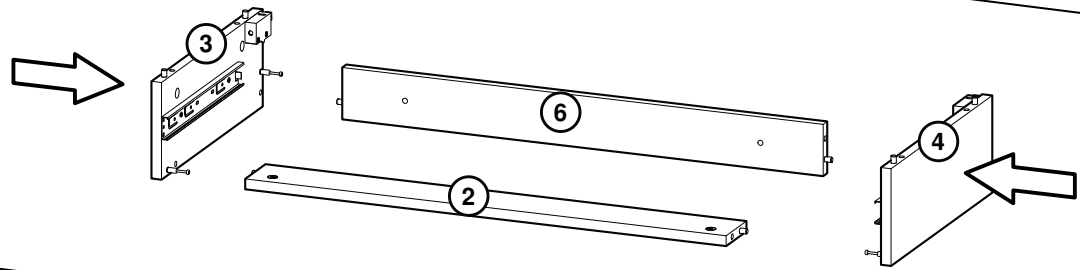
IV



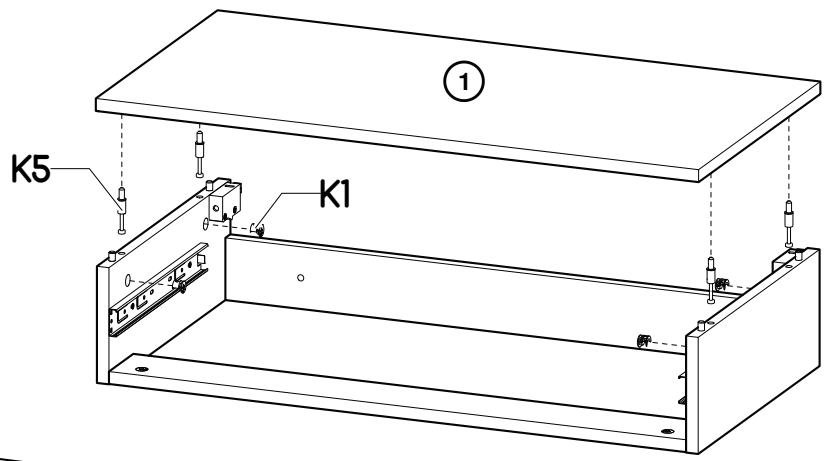
V



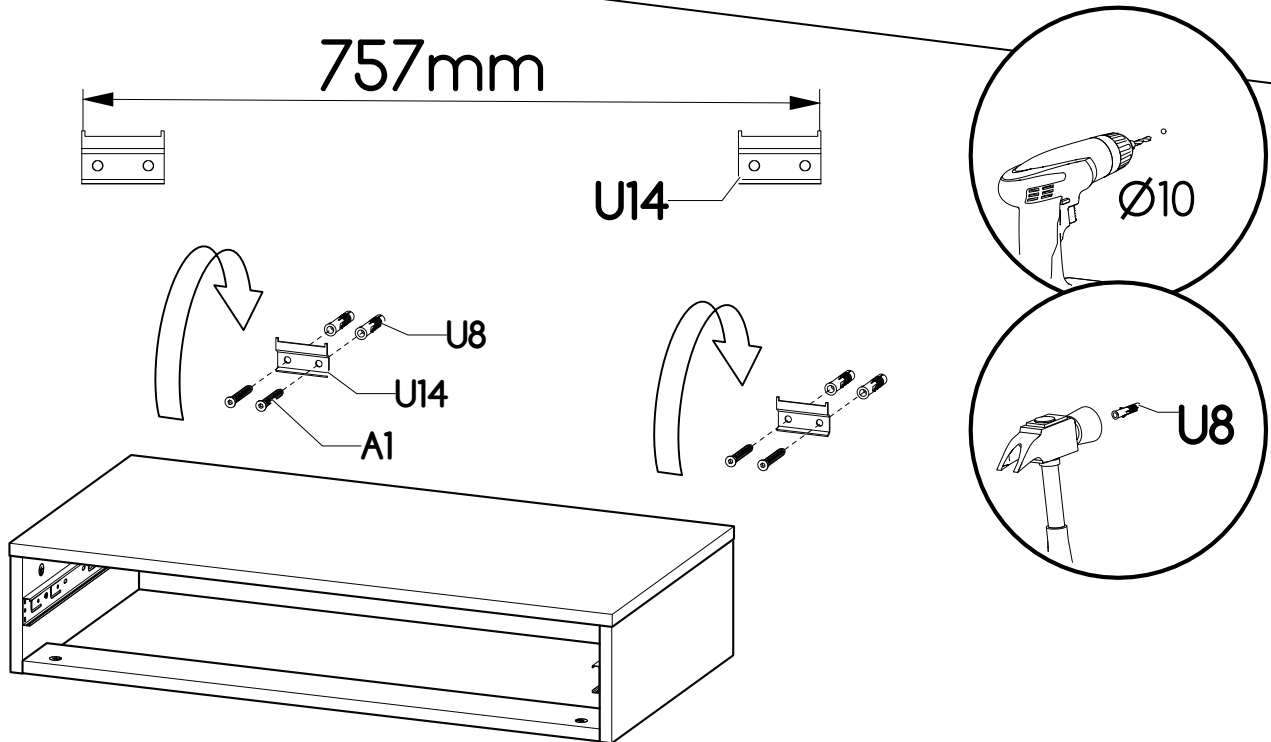
VI



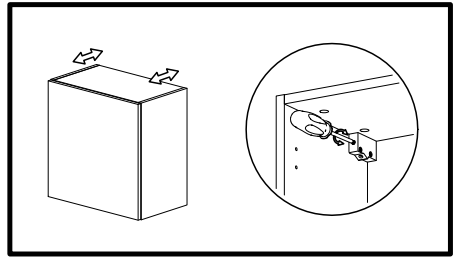
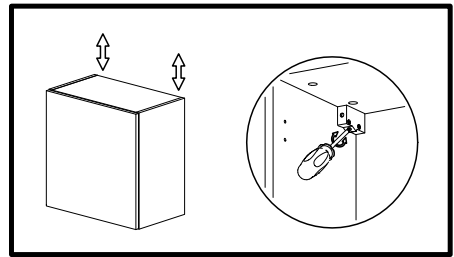
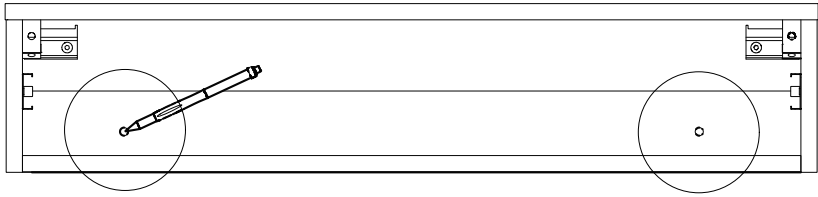
VII



VIII



**IX**



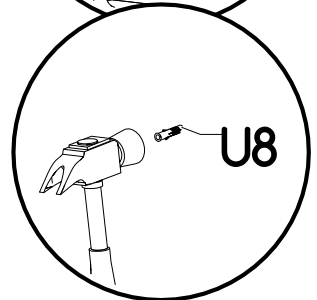
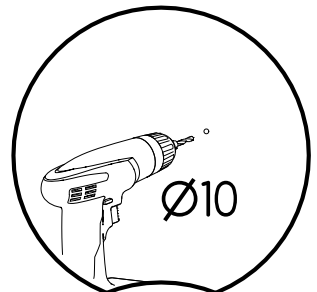
**X**



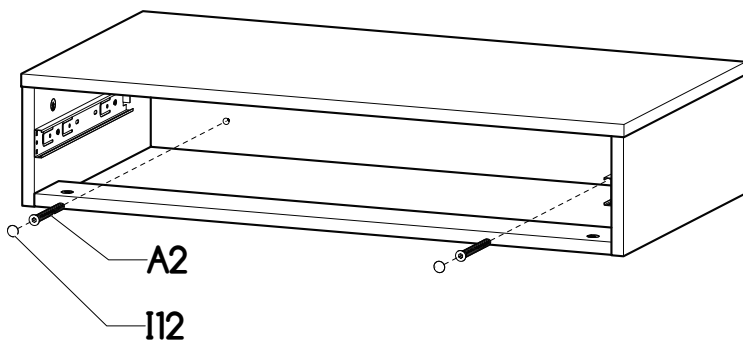
+



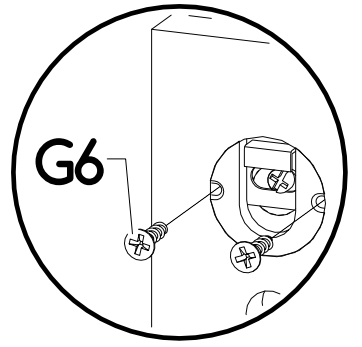
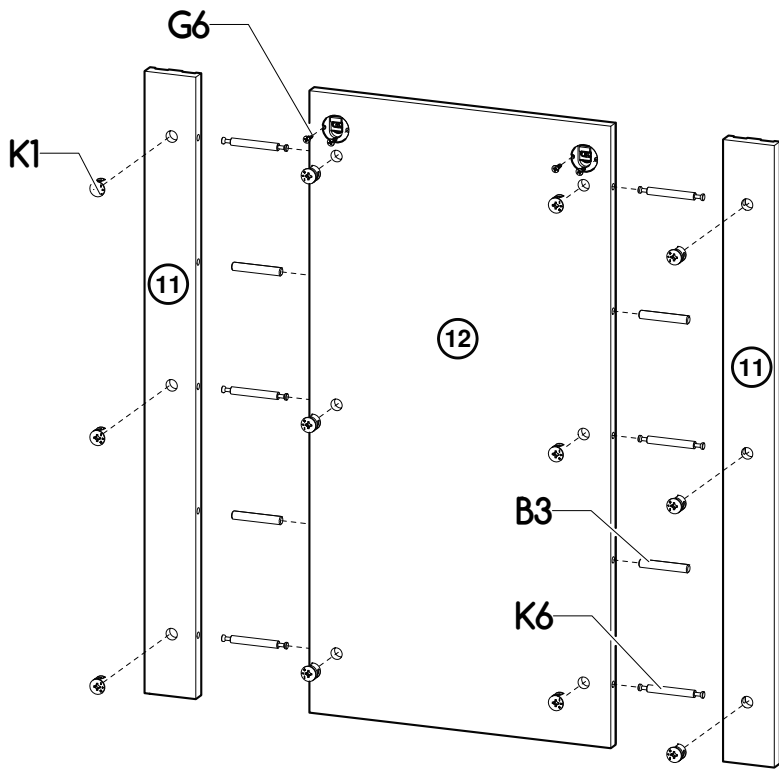
+



**XI**



XII



XIII

330mm

