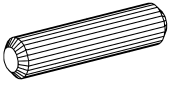
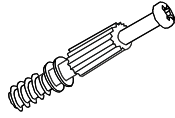
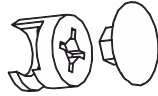
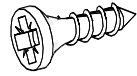
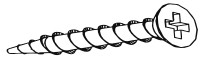
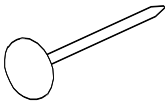

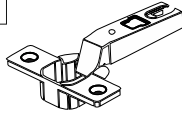
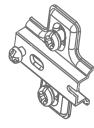
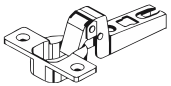
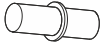

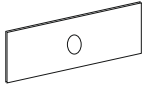

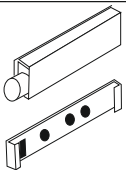

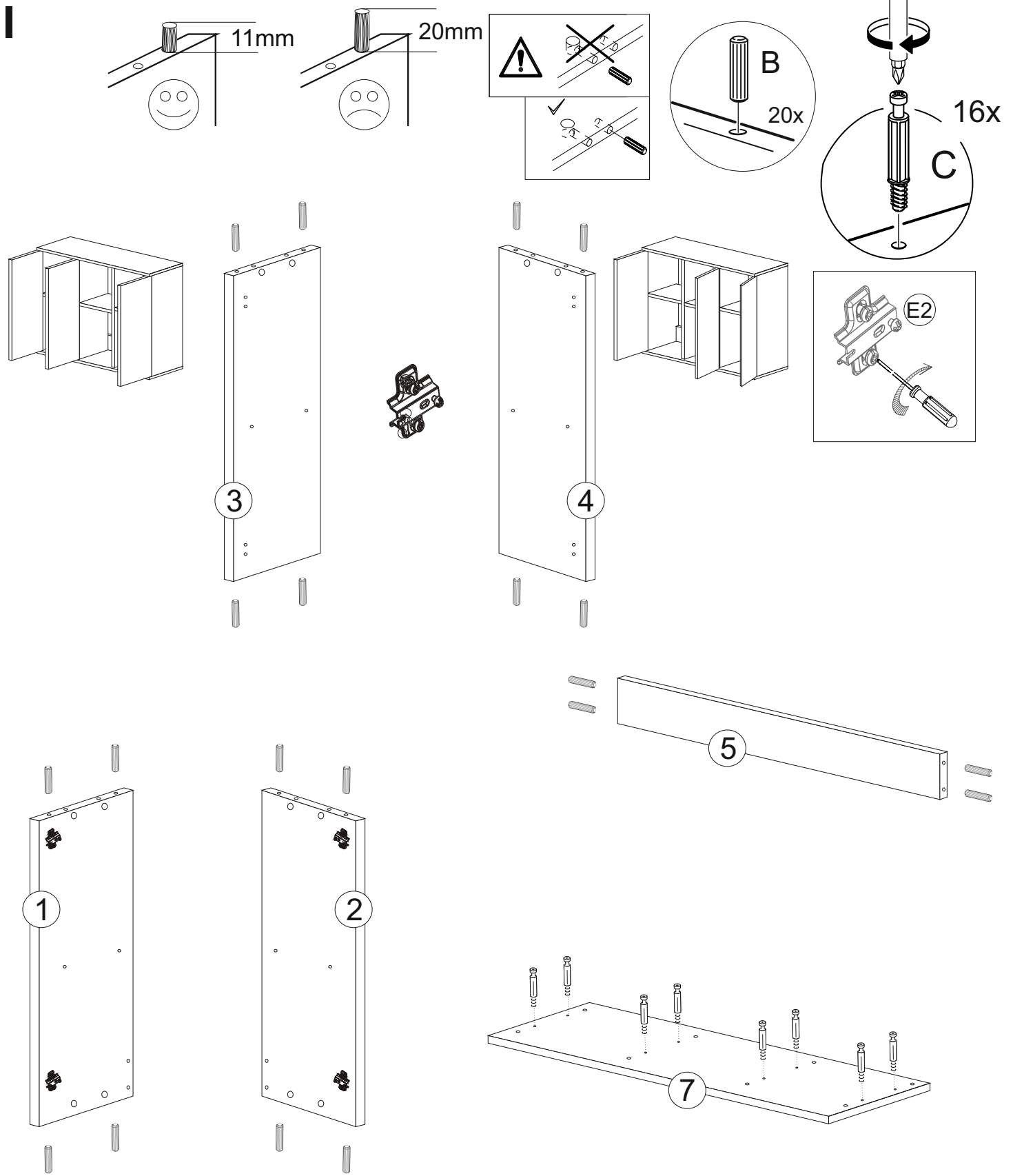
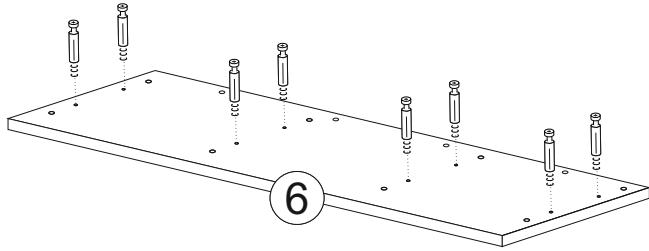
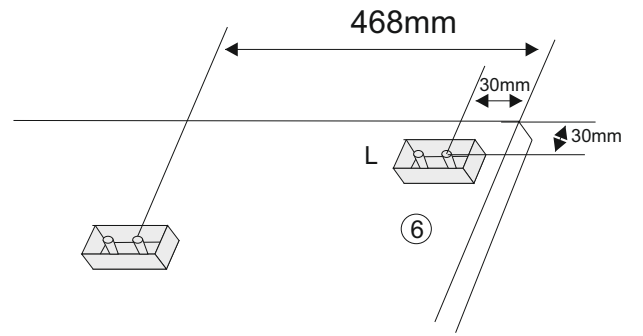
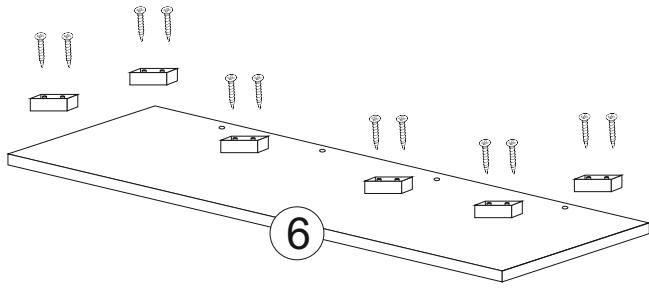
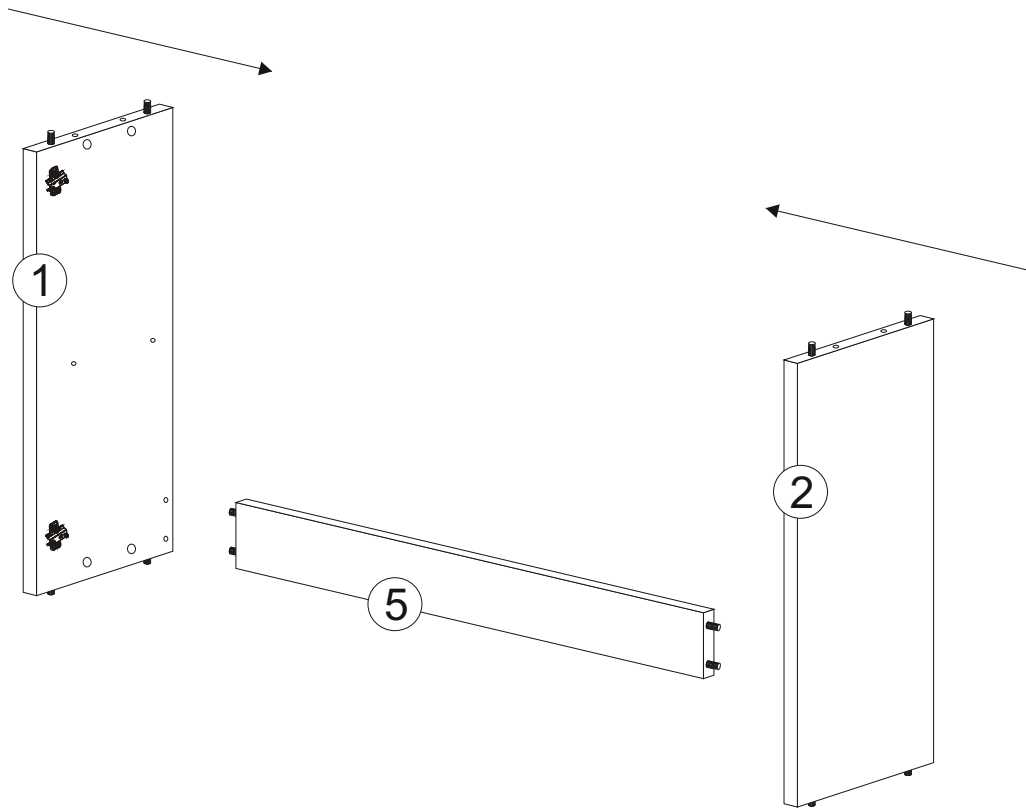


<b>B</b>  x20	<b>C</b>  x16	<b>D</b>  x16	<b>W1 3.5x16</b>  x25	<b>W3 4x20</b>  x12
<b>G</b>  x40	<b>A</b>  x1	<b>E1</b>  x4	<b>E2</b>  x6	<b>E3</b>  x2
<b>J</b>  x12	<b>N</b>  x6	<b>Y</b>  x6	<b>L</b>  x4	<b>W</b>  x3
<b>EE</b>  x4				

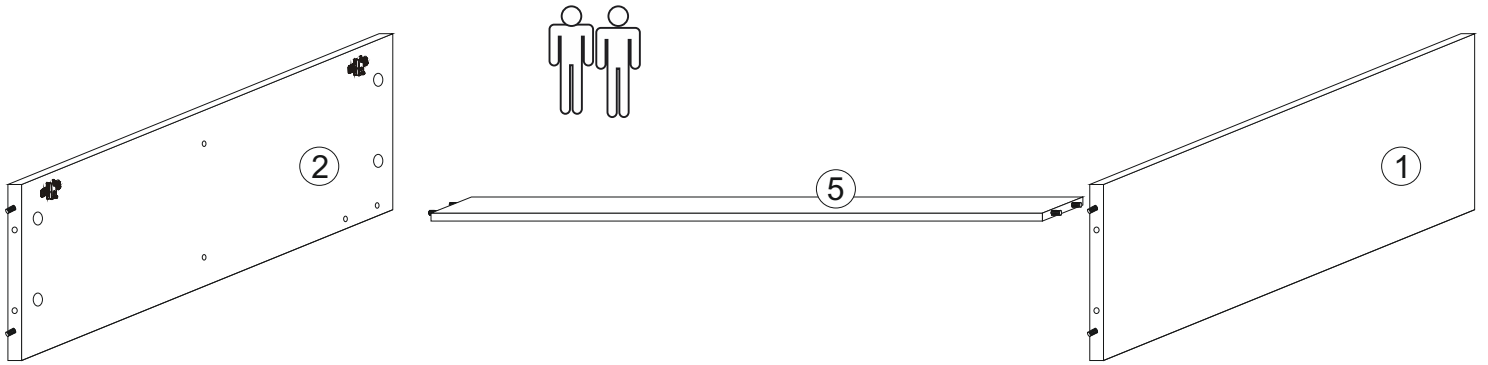




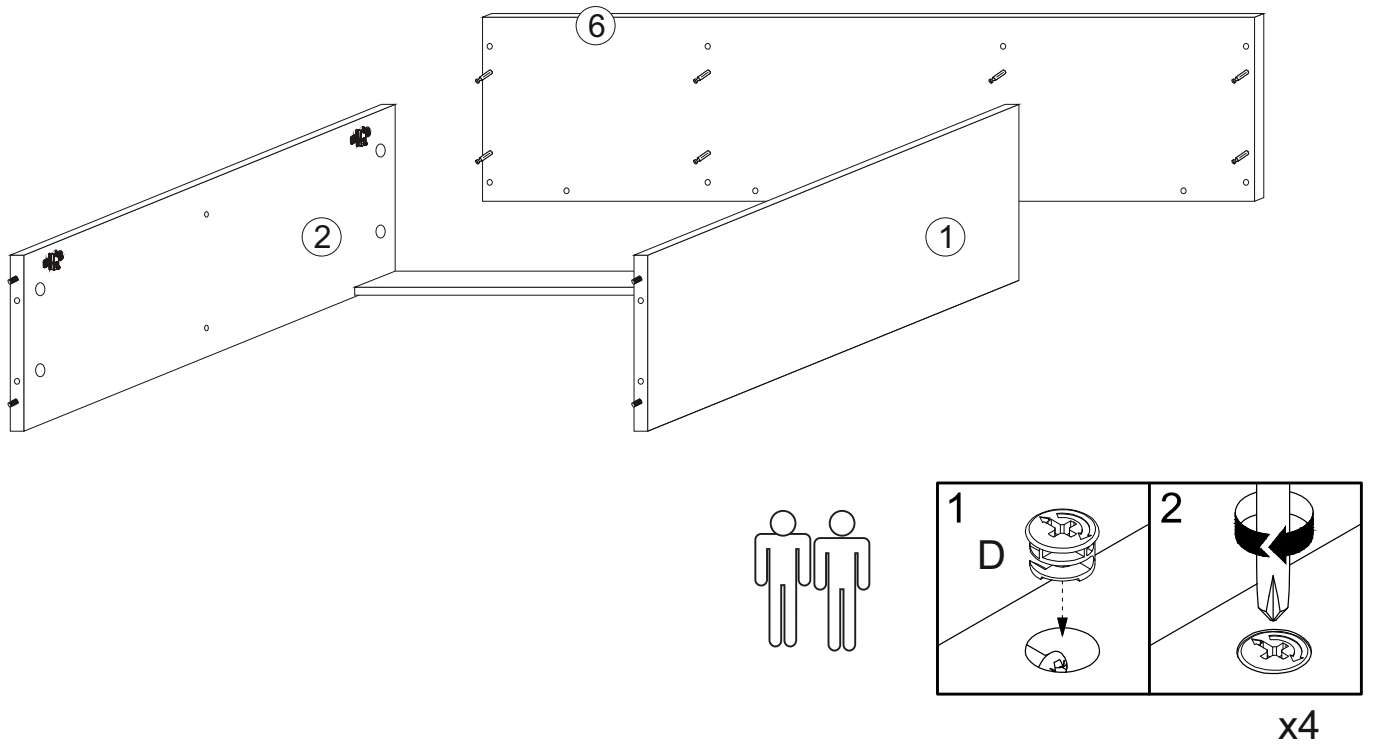
II



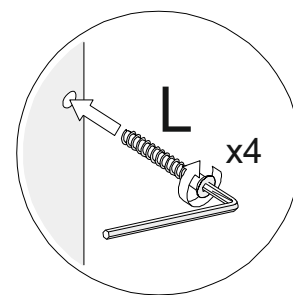
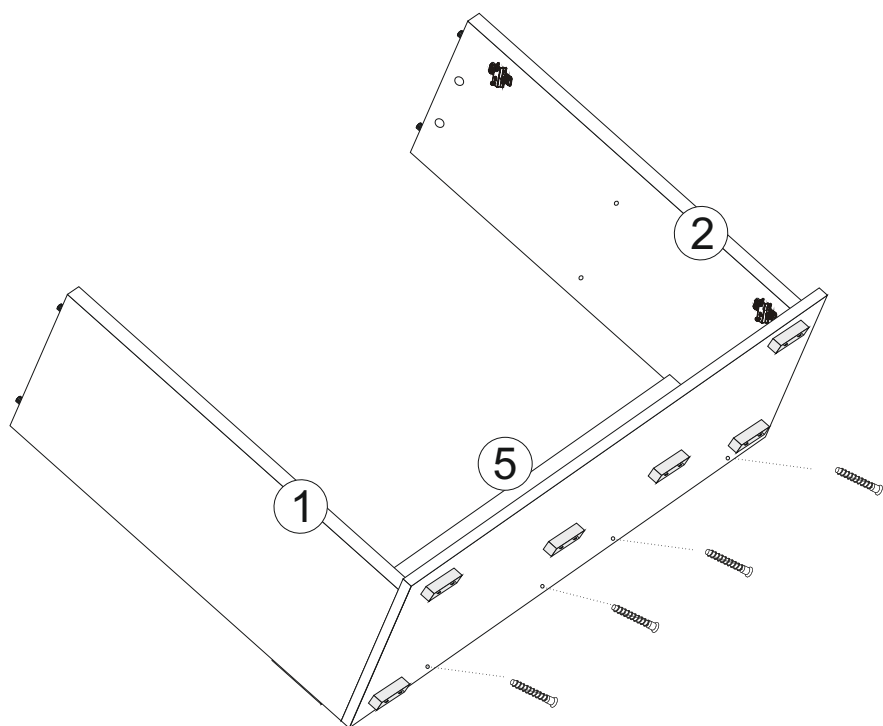
### III



### IV

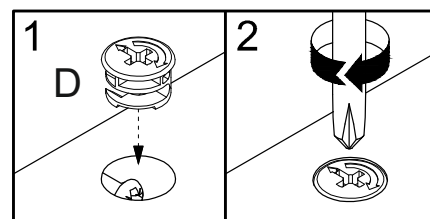
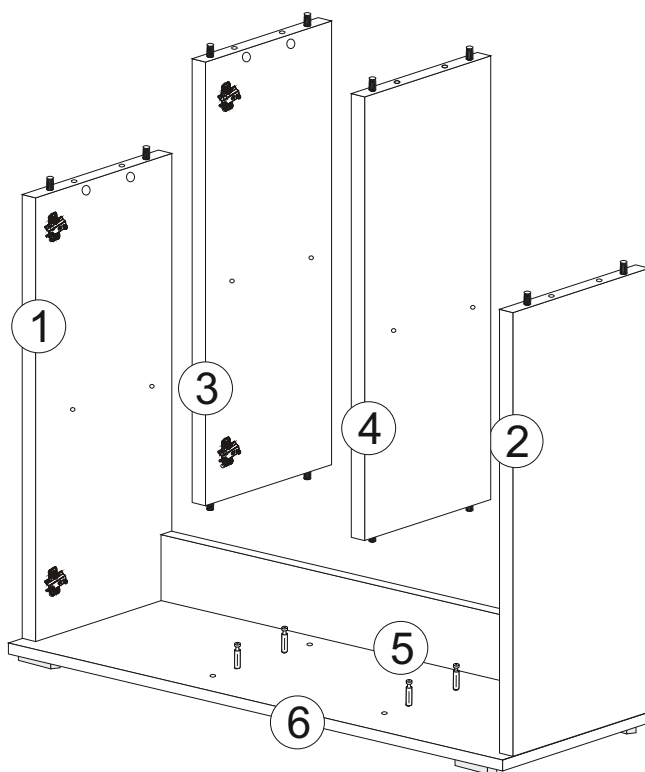


V



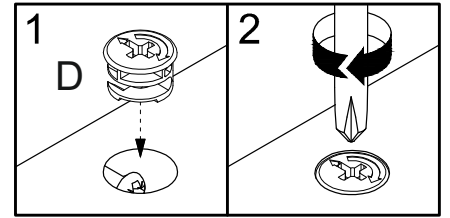
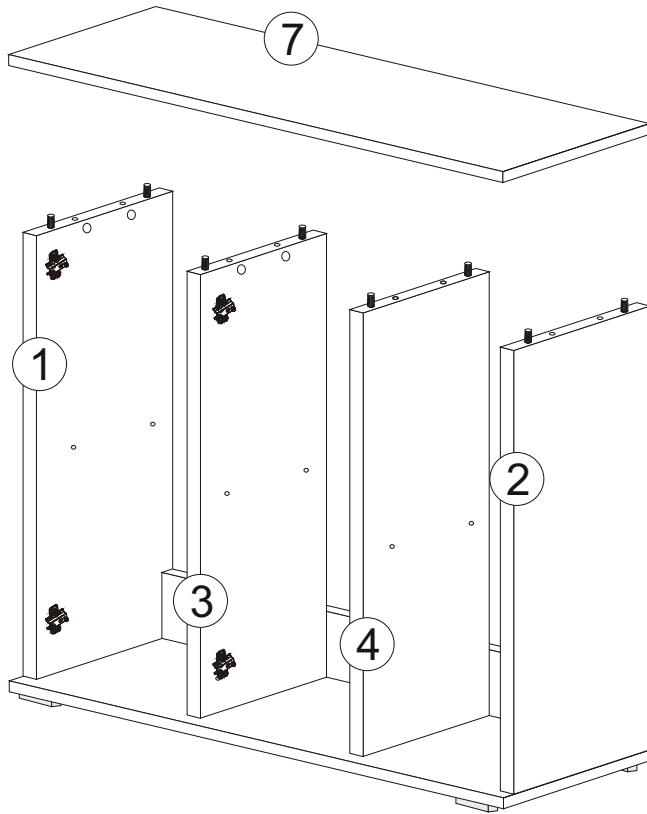
L

VI



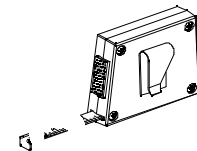
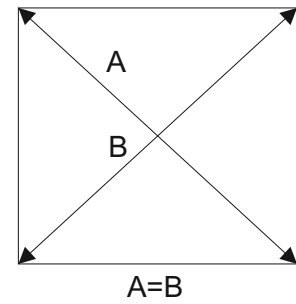
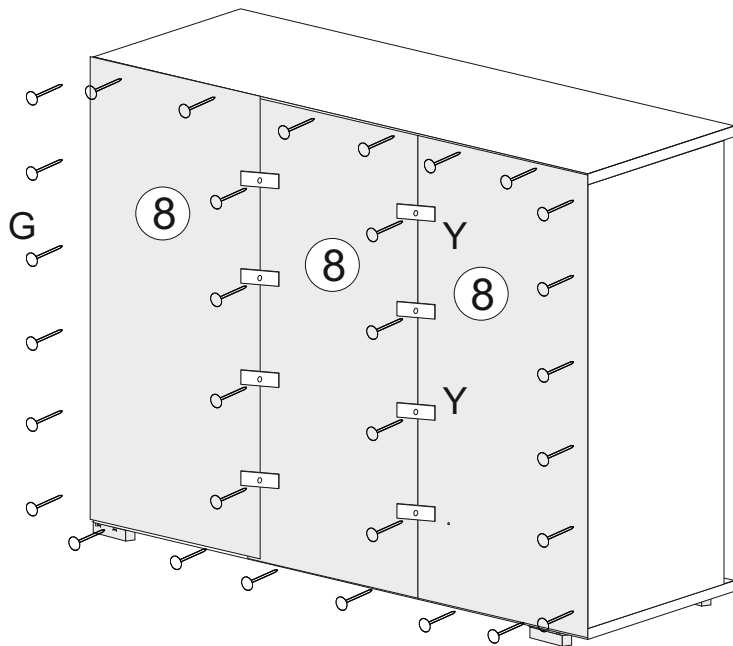
x4

# VII

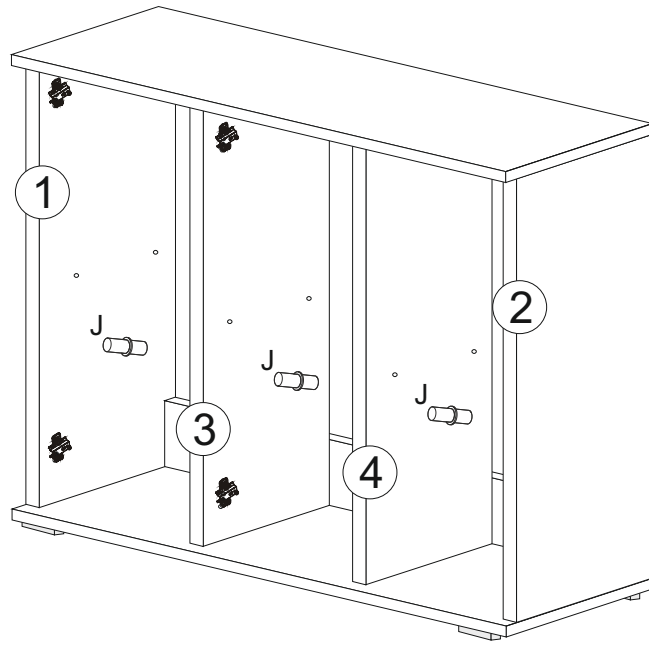


x8

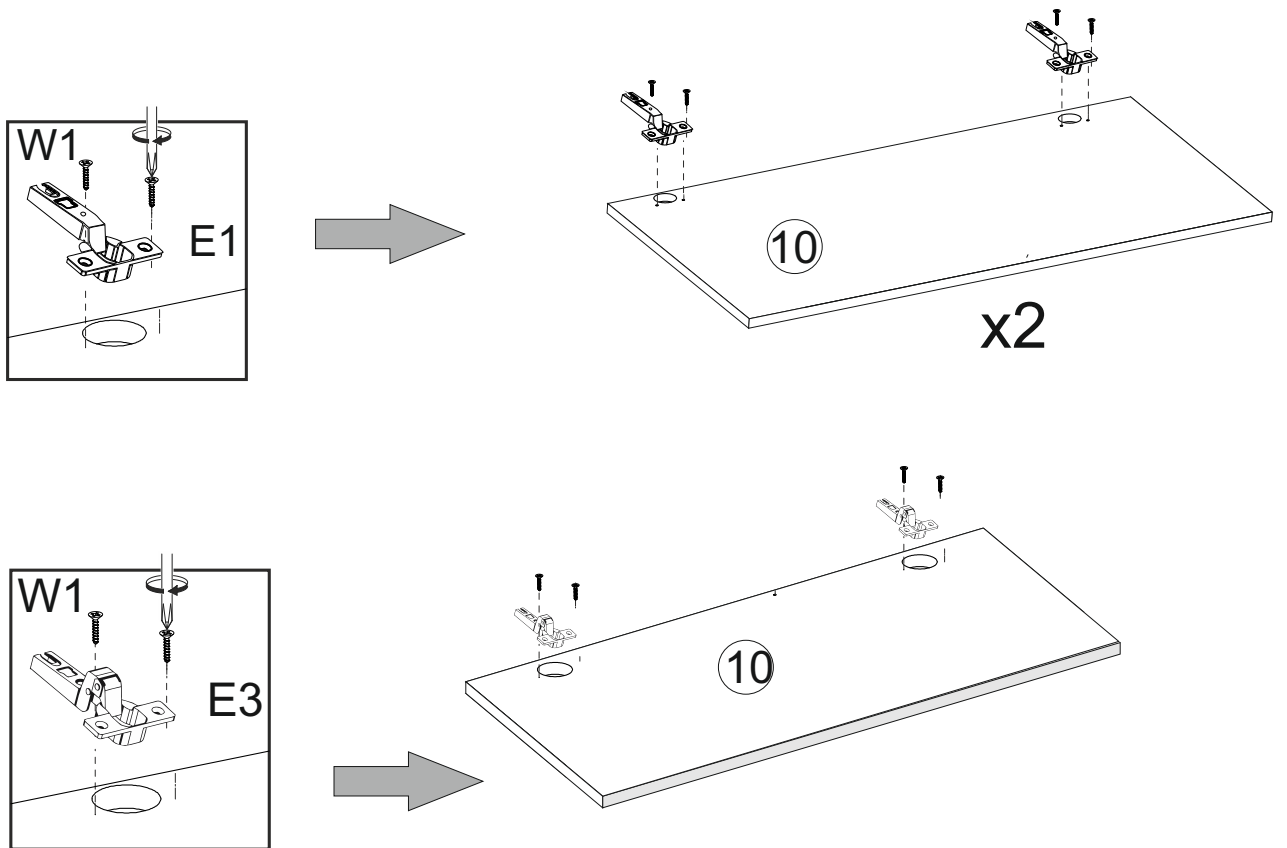
# VIII



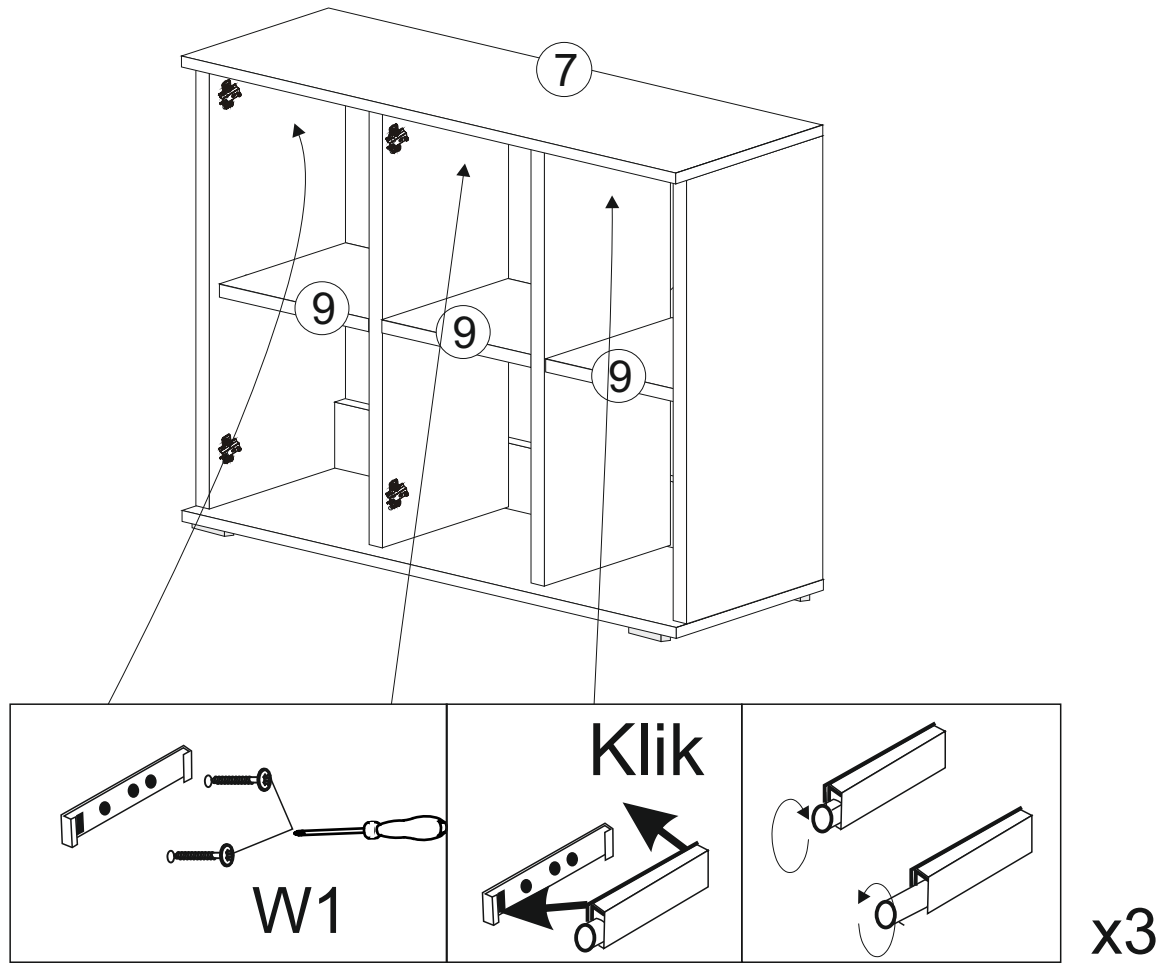
# IX



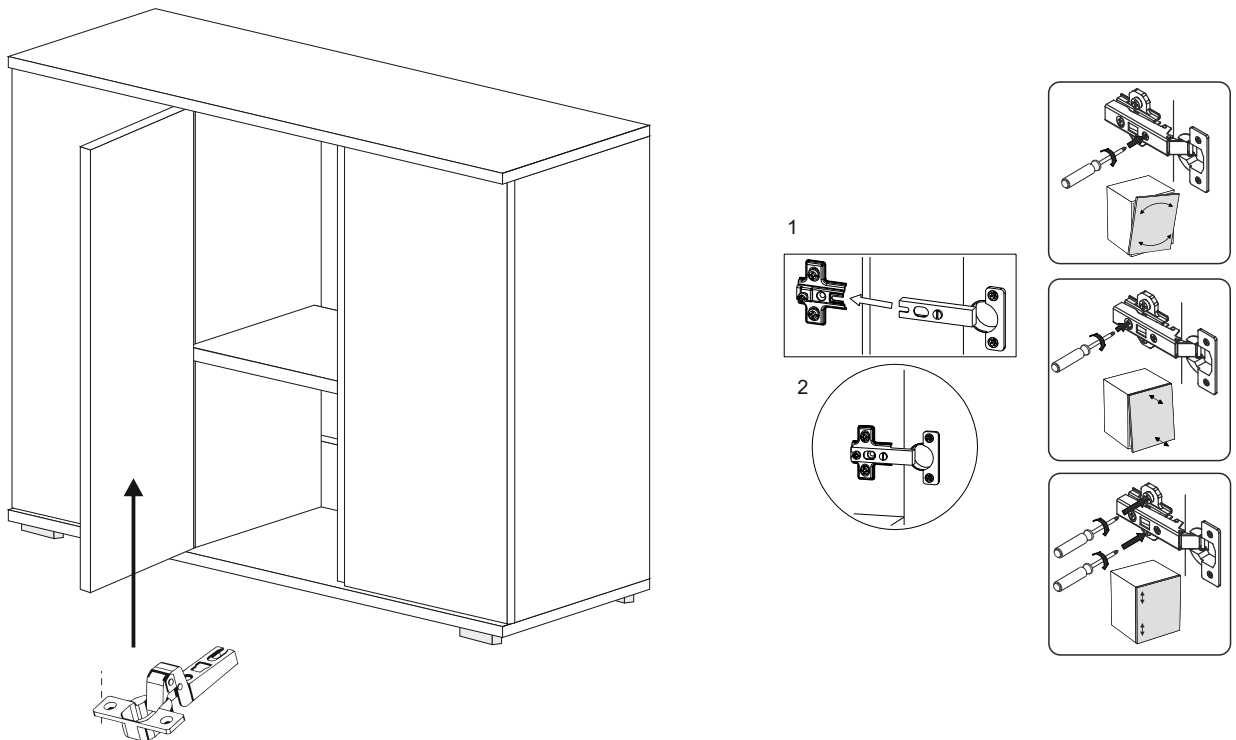
# X



# XI



# XII





# XIII

