

Y



x1

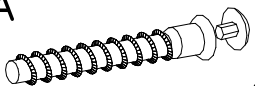
T



4 x 16

x4

A



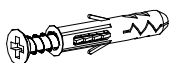
x4

B



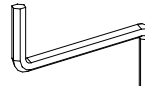
x4

L



x2

Z



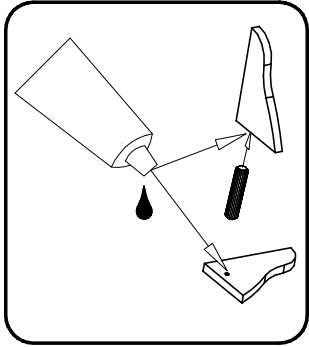
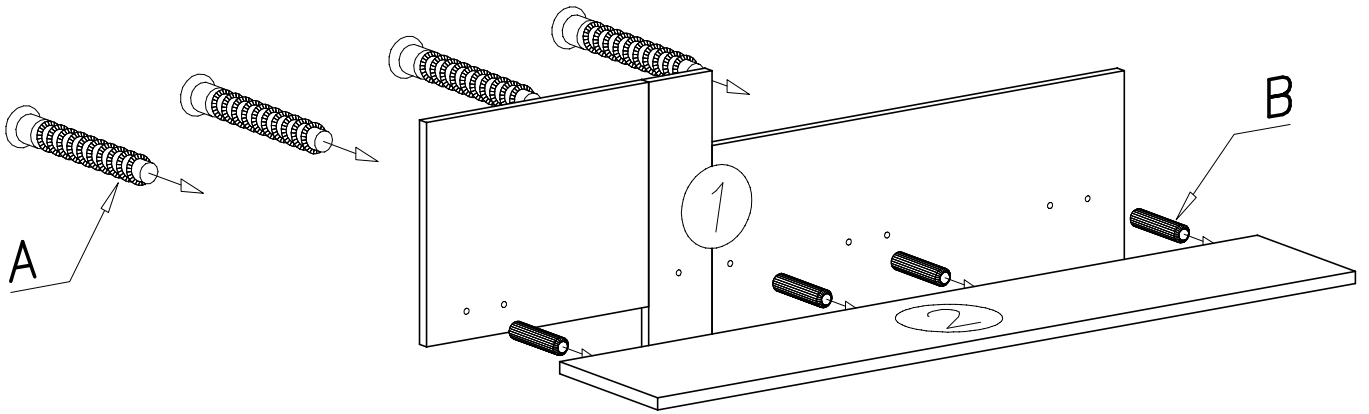
x1

G

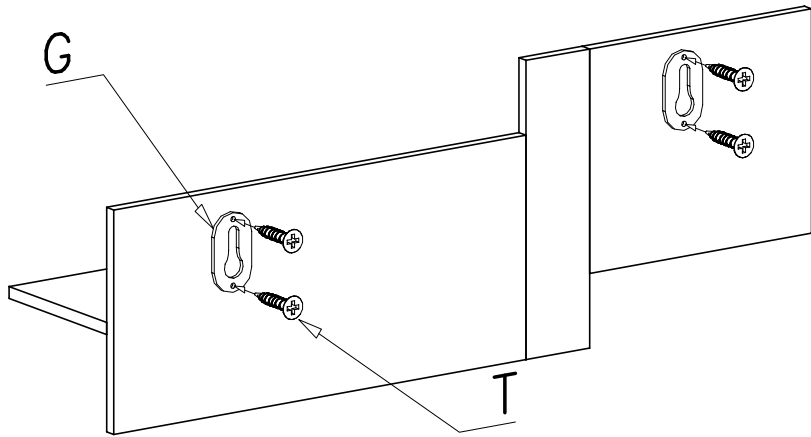


x2

I



II



III

