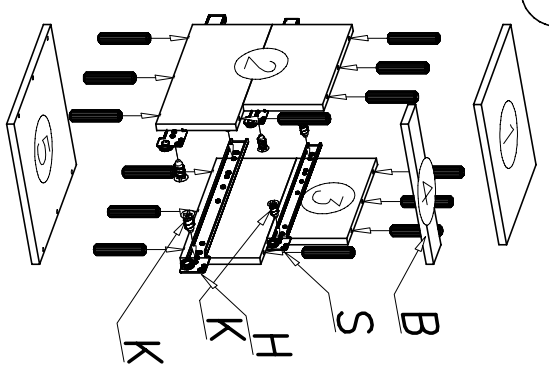
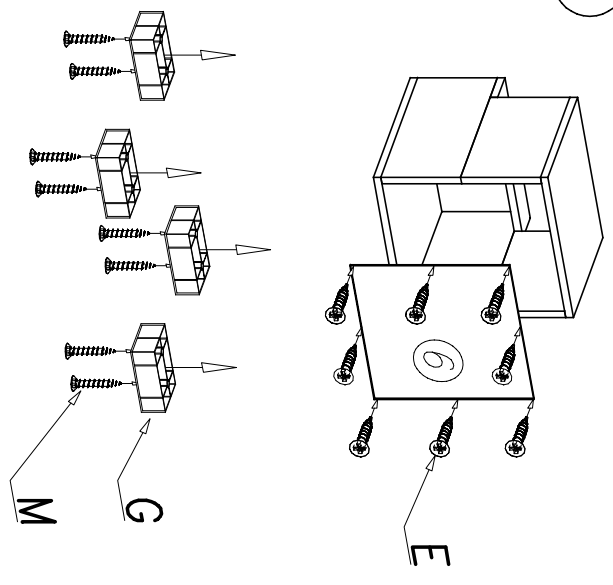


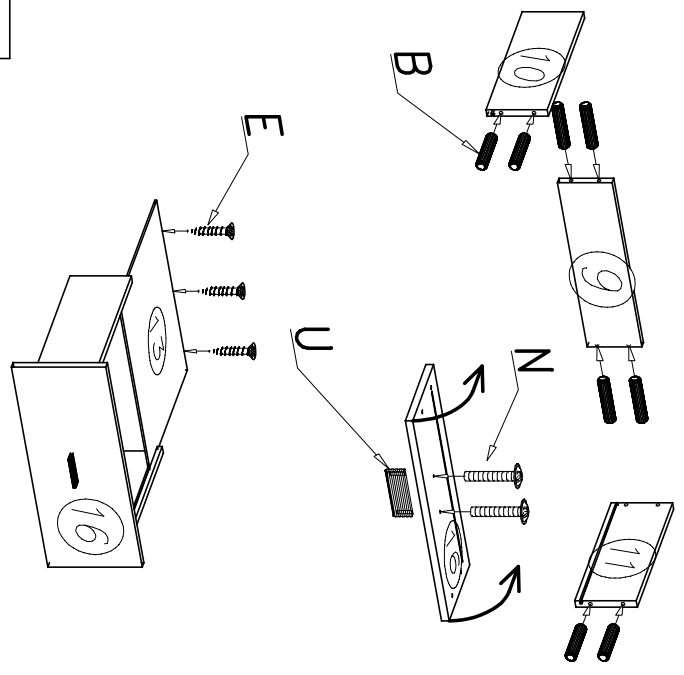
I



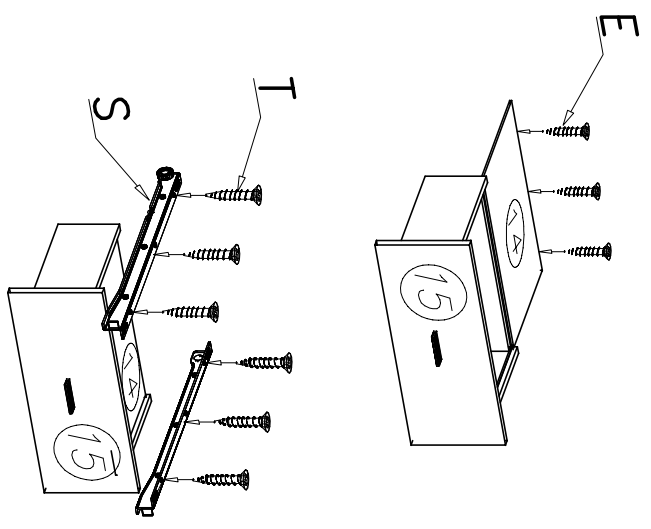
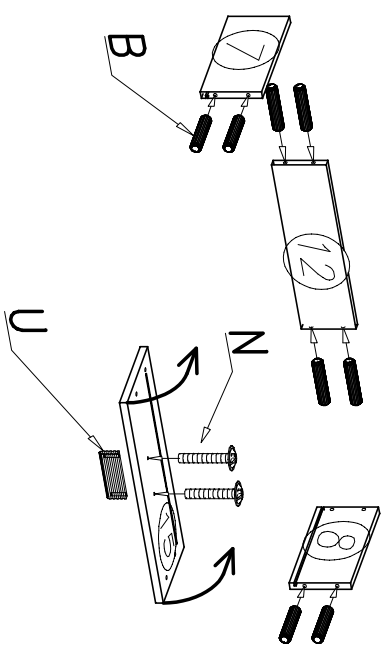
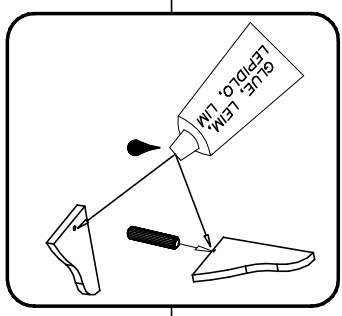
II



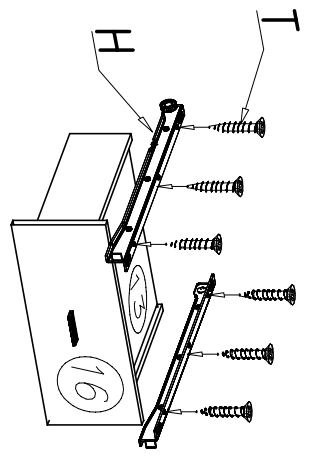
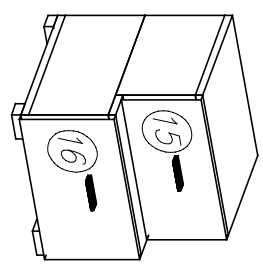
III

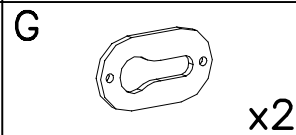
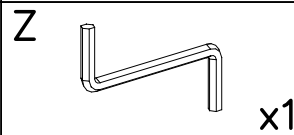
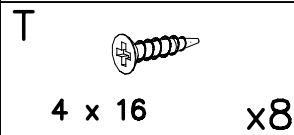
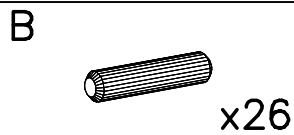
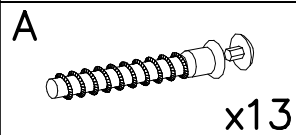
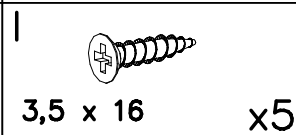
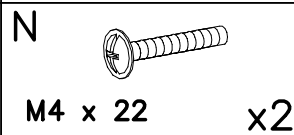
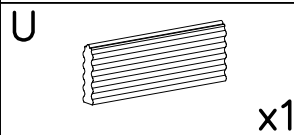
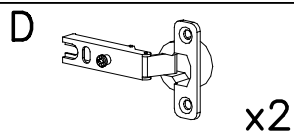
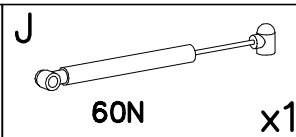
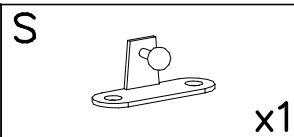
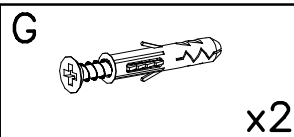
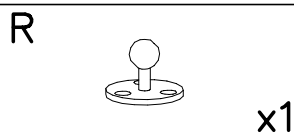
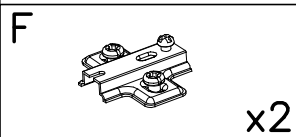
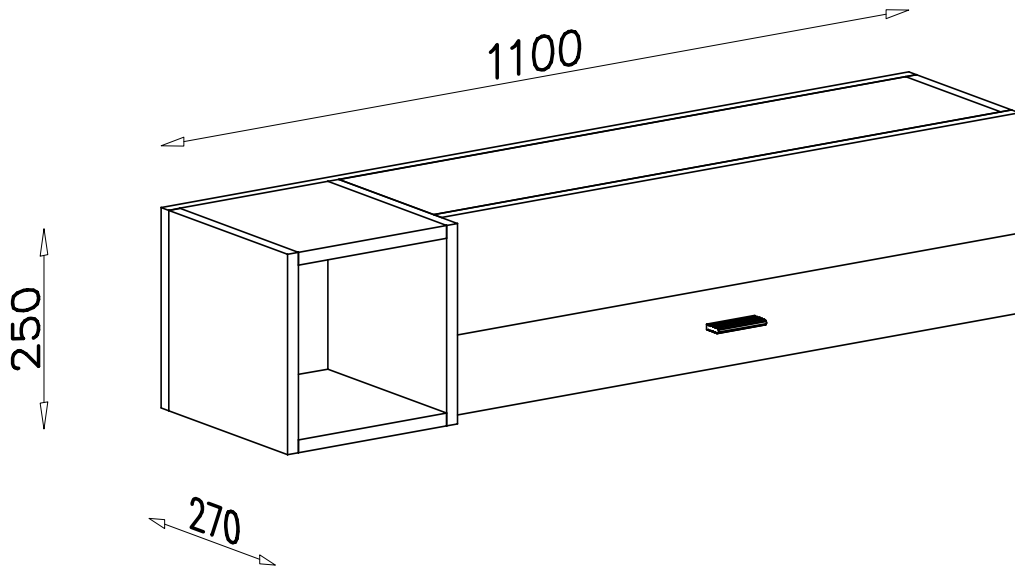
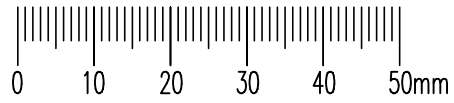
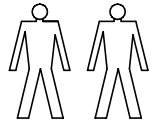
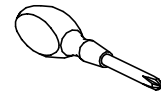
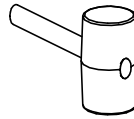
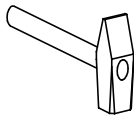
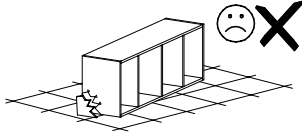
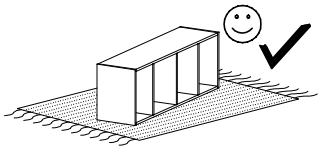


IV

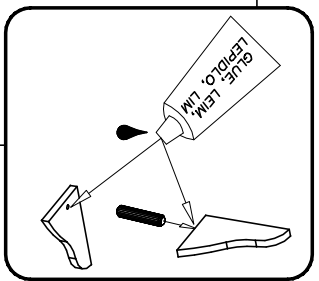
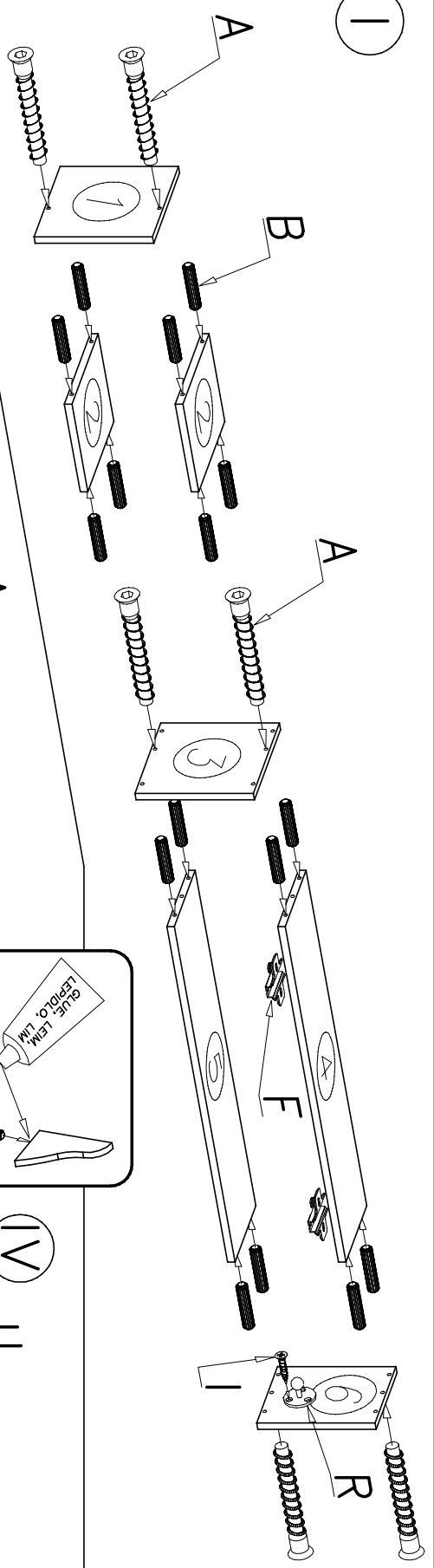


V

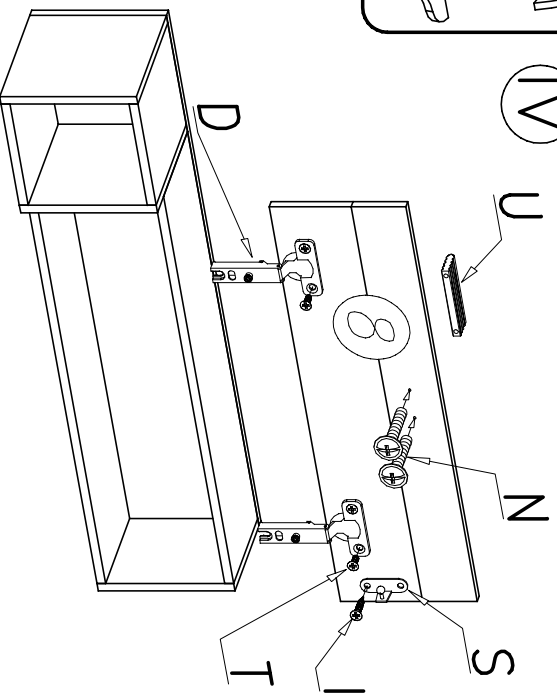




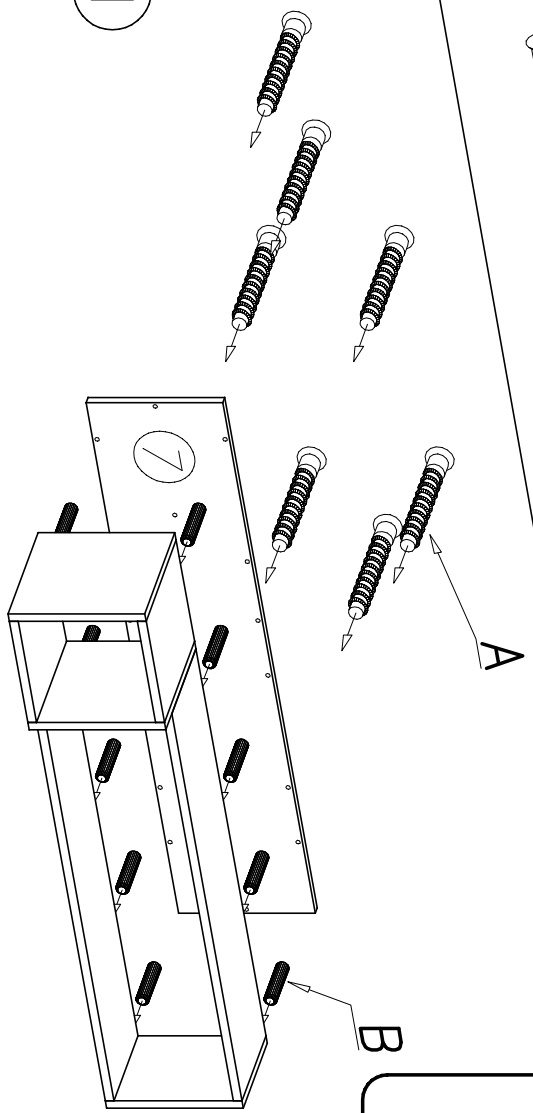
1



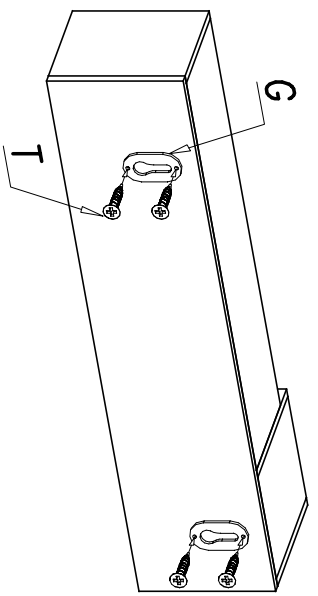
IV



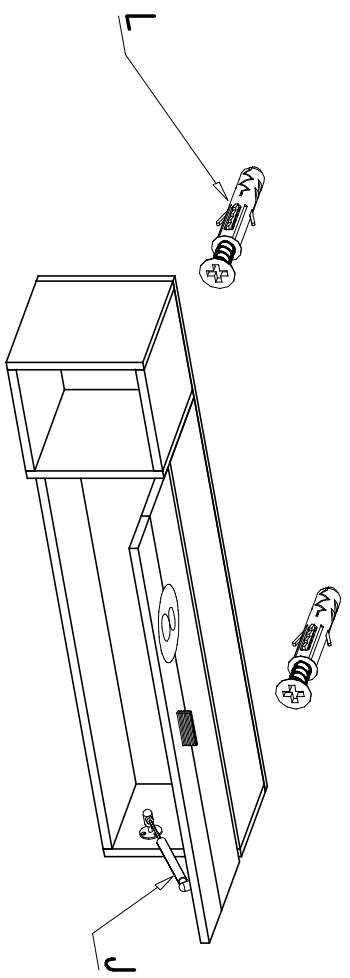
II

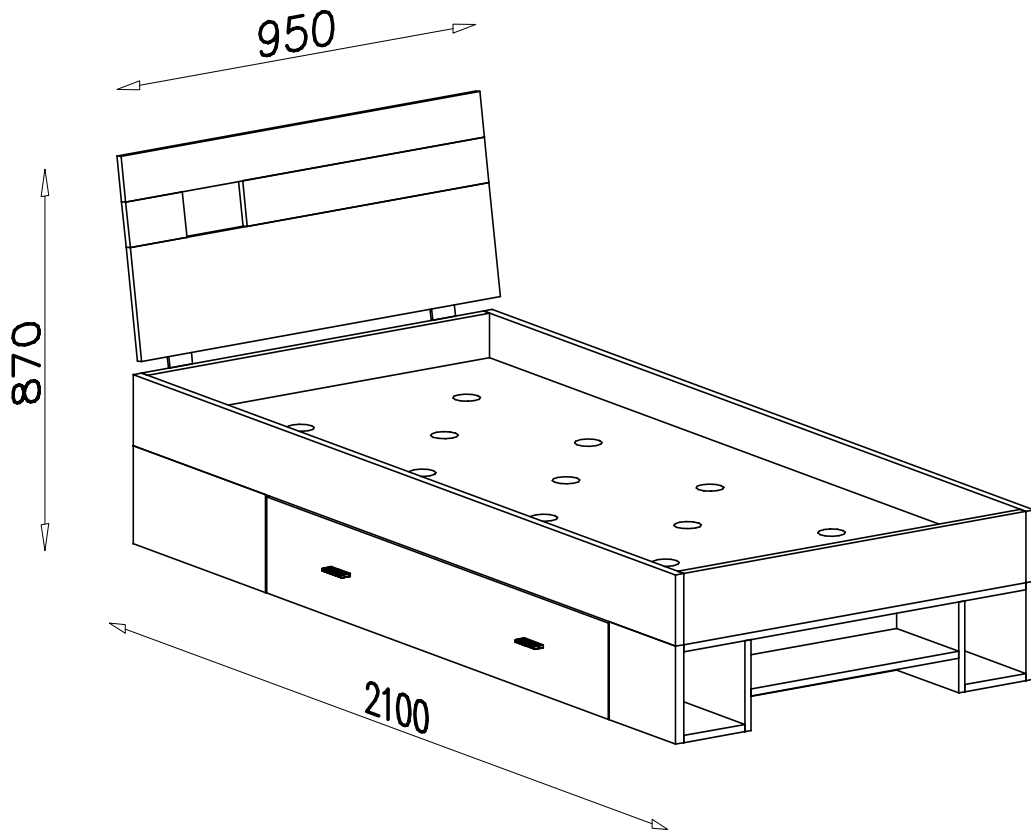
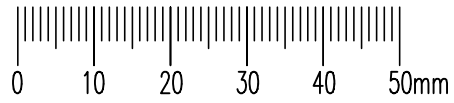
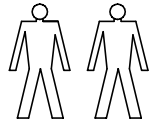
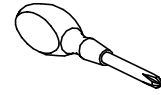
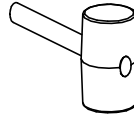
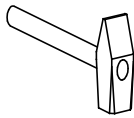
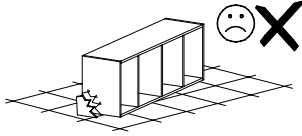
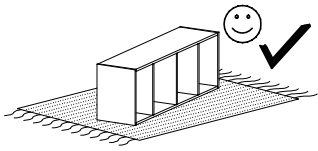


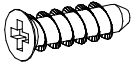
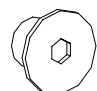
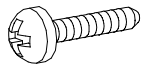
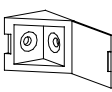


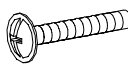
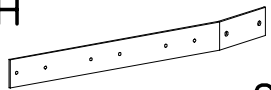
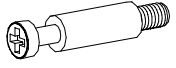
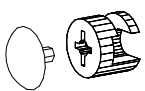
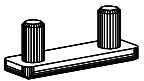


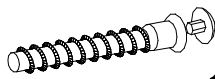
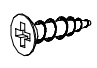

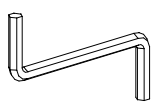
III

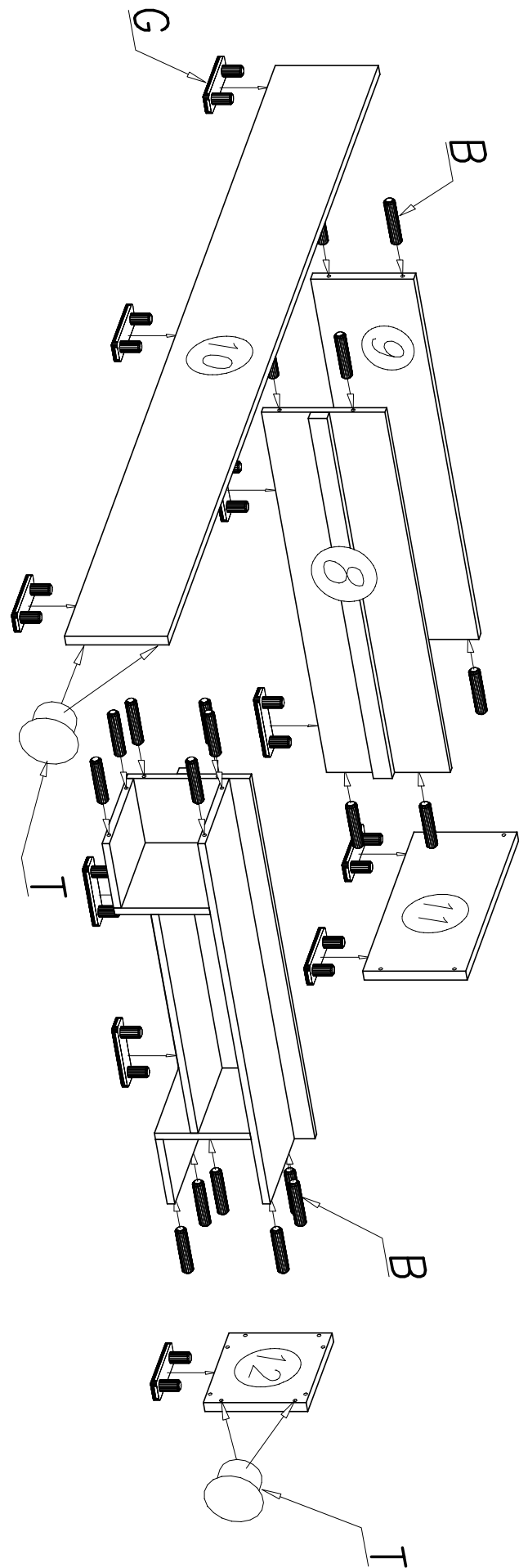
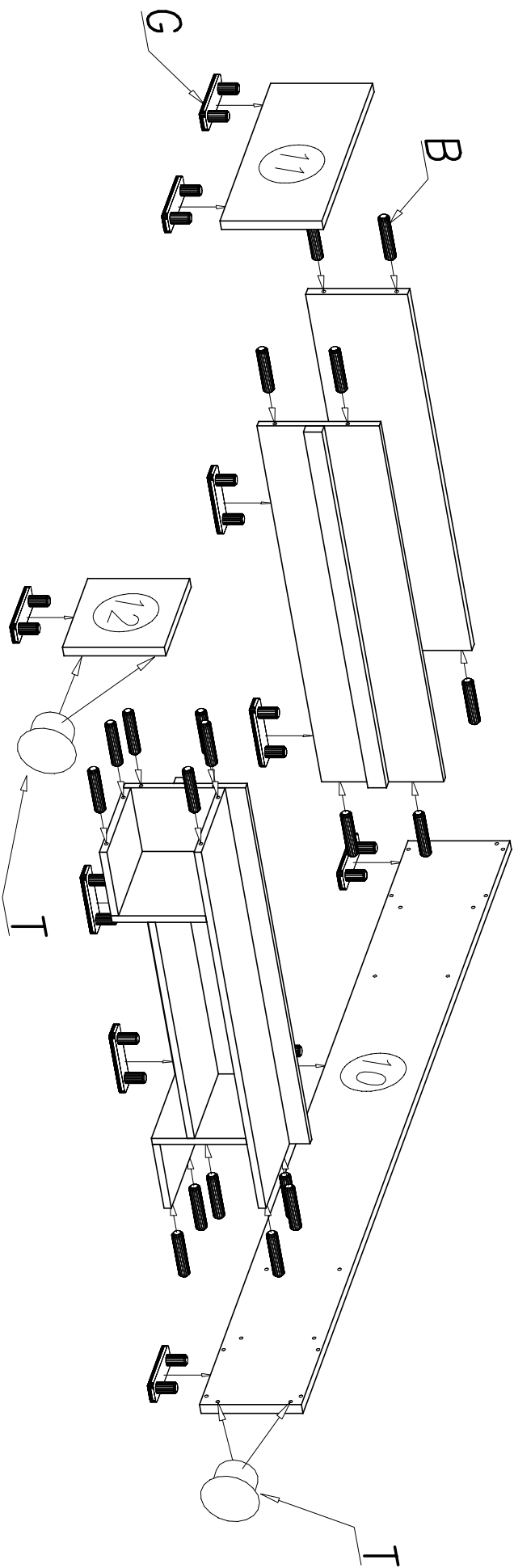


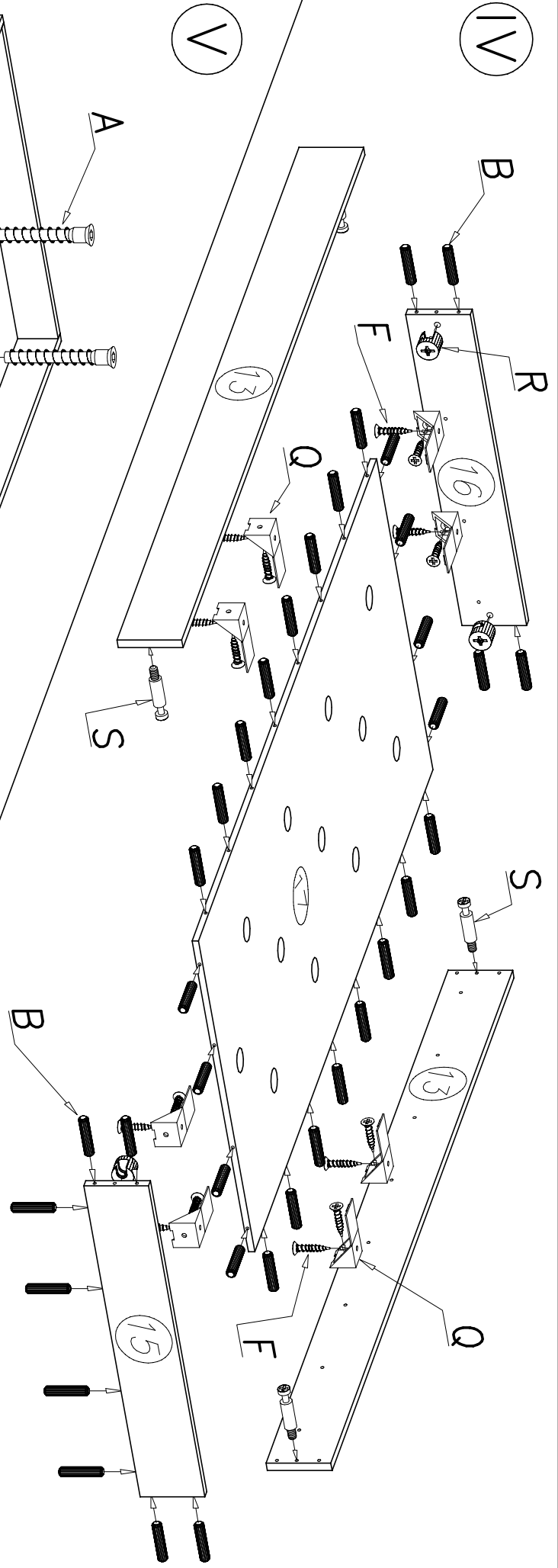
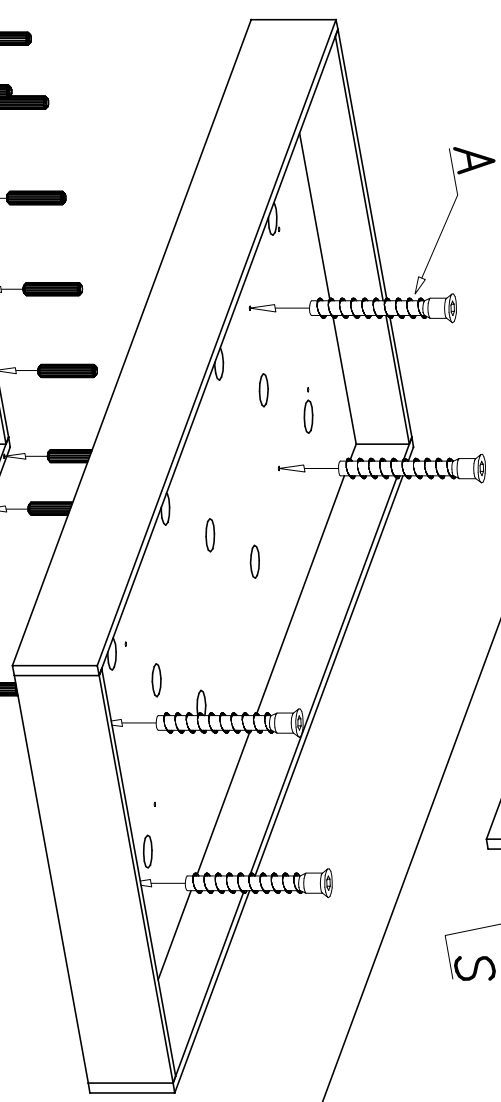
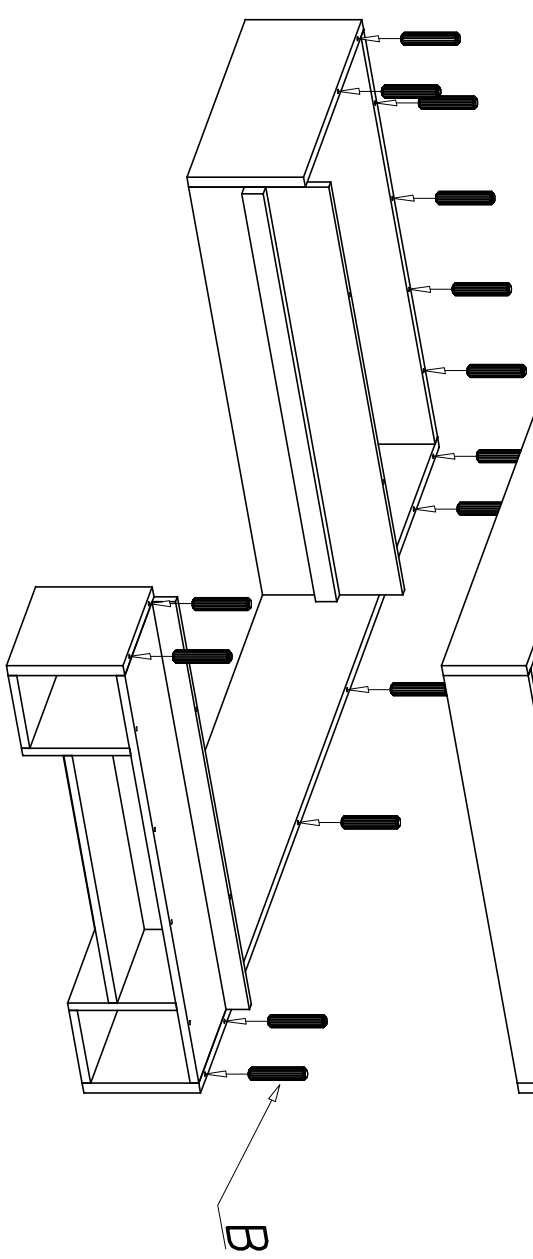
V





J  6,3 x 16 x12	D  x4	P  M6 x 20 x4	Q  x8	T  ø8 x4
E  x4	N  M4 x 30 x4	H  x2	S  x4	R  x4
G  x12	U  x2	B  x102	A  x18	F  4x16 x24
			Y  x1	Z  x1

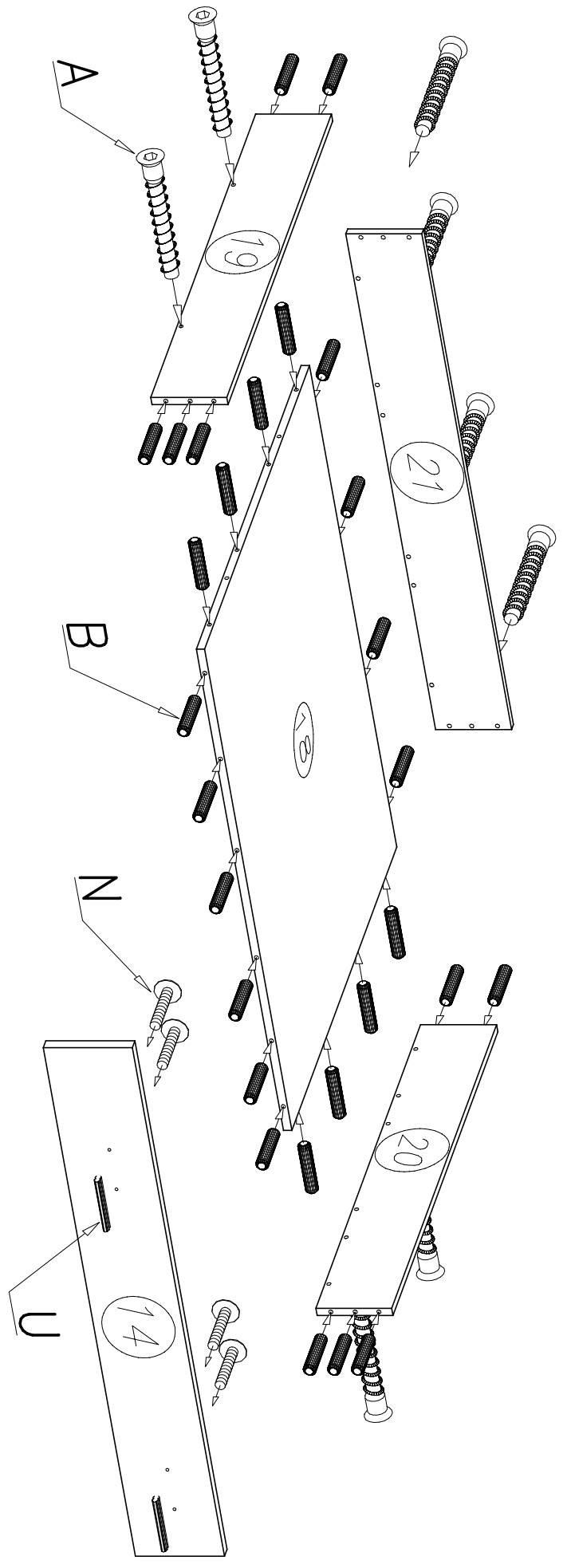




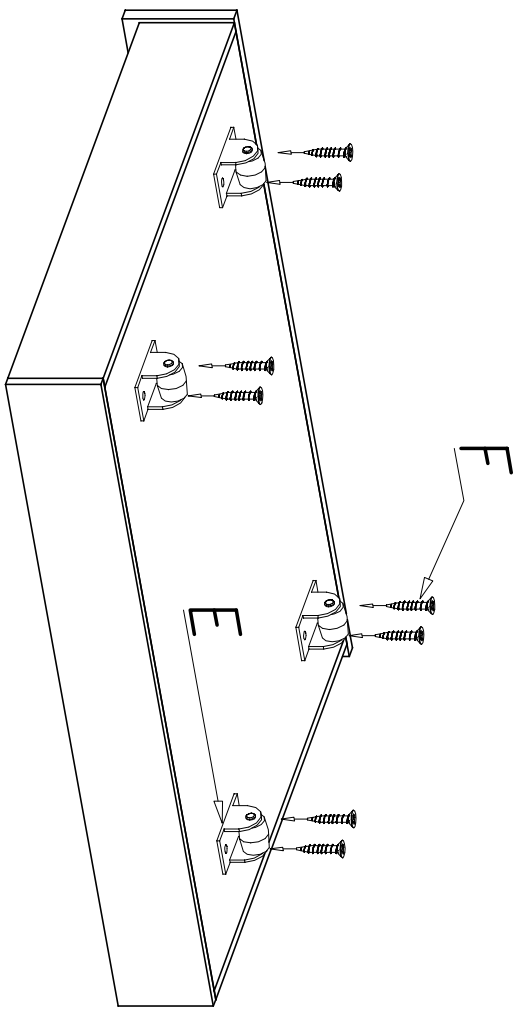
(V)

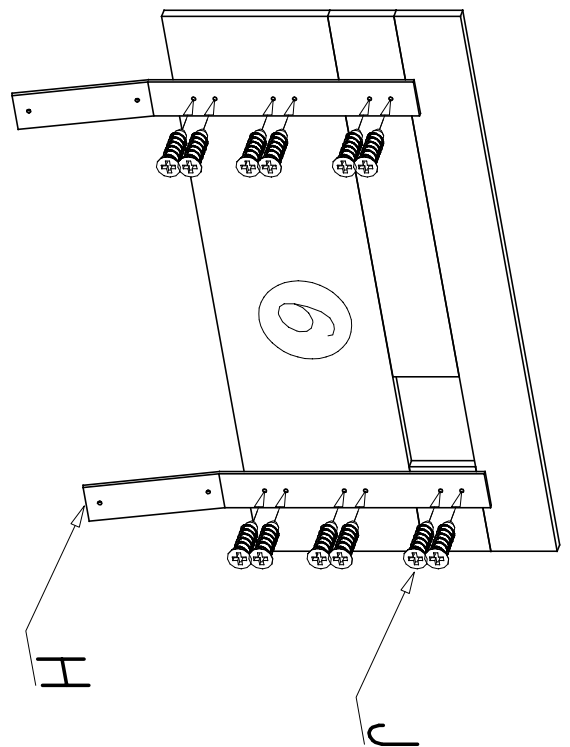
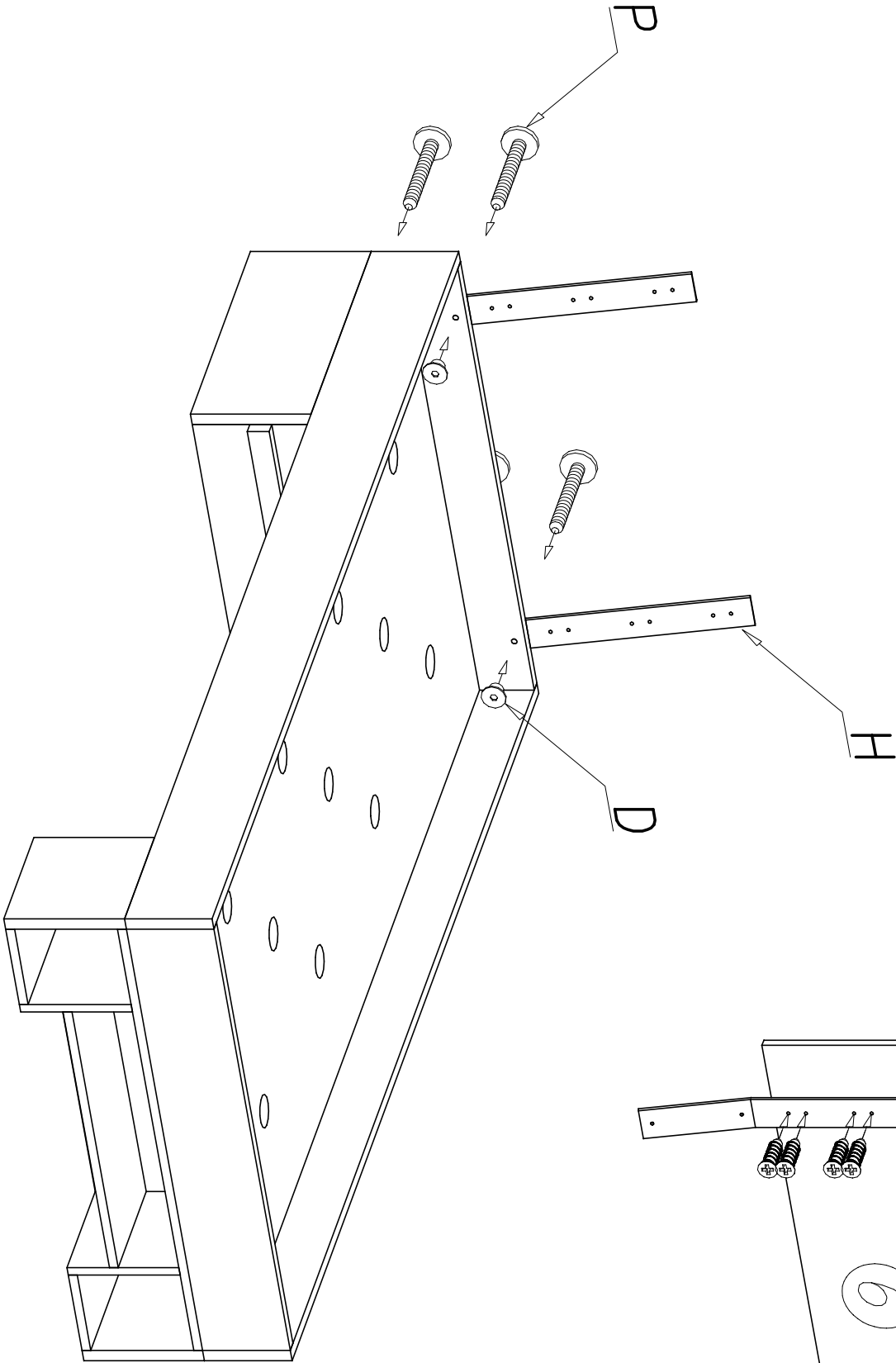
(IV)

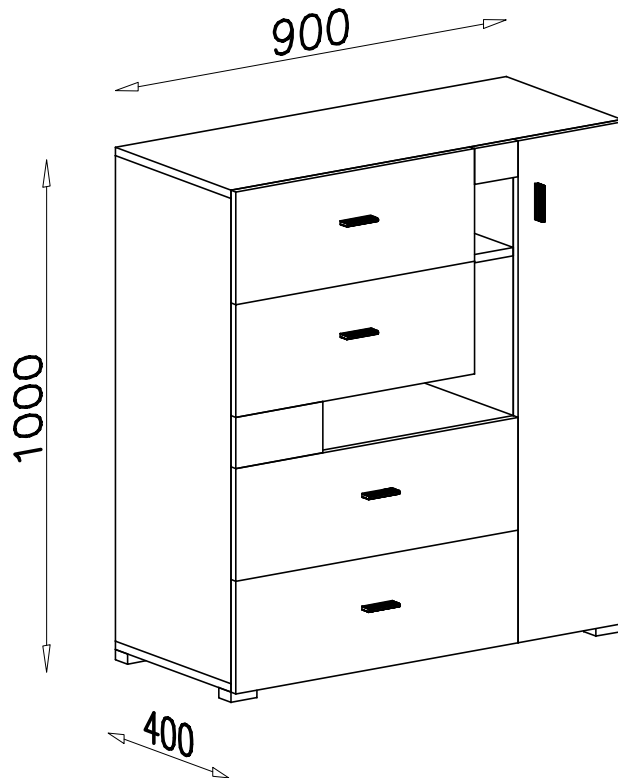
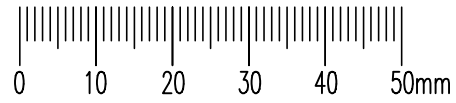
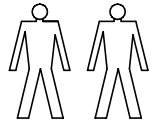
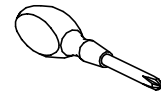
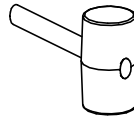
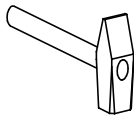
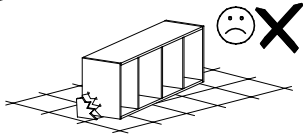
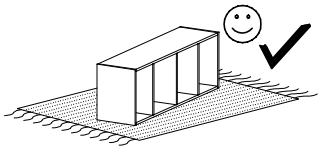
VI


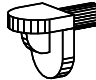

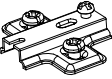
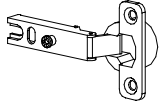
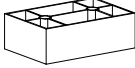
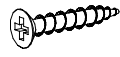


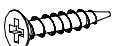

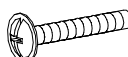
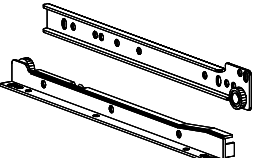
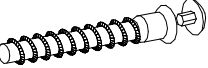





VII

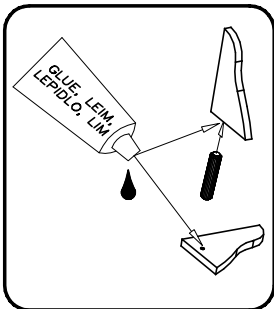
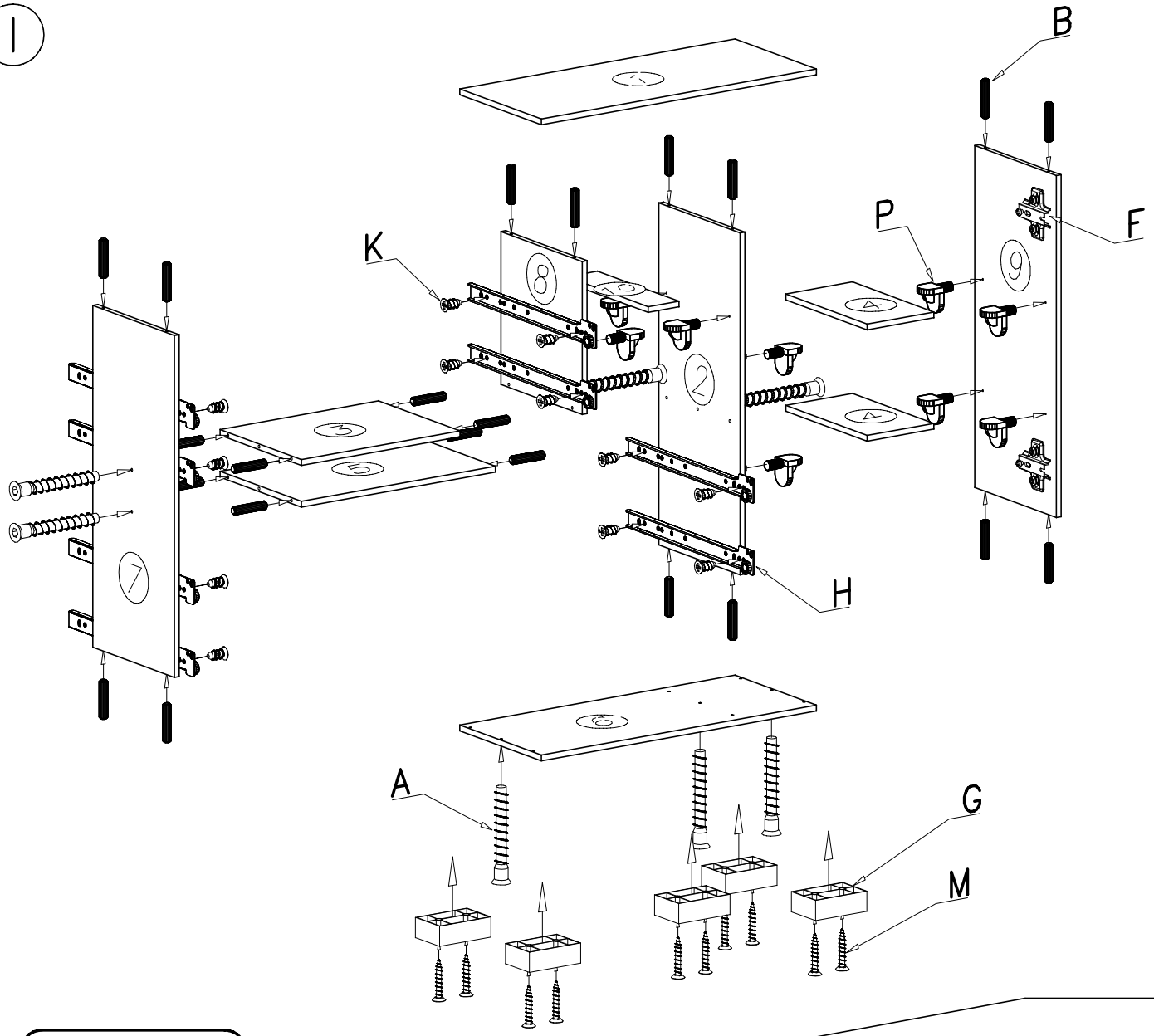




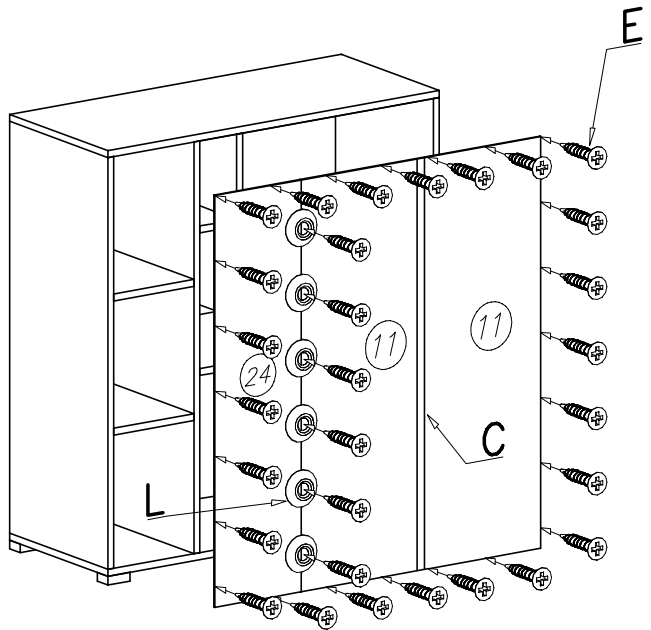


		C  945mm x1	P  x12	L  x9
F  x2	D  x2	G  x5	M  4 x 25 x10	K  6 x 13 x16
W  x3	E  3 x 20 x80	U  x5	N  M4 x 22 x10	H  35cm x4
A  x7	B  x58	T  4 x 16 x28	Z  x1	

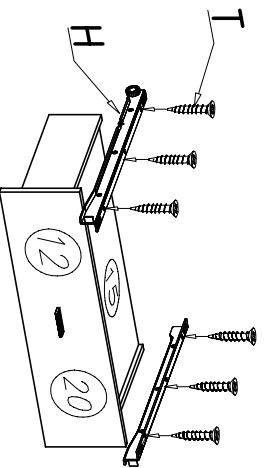
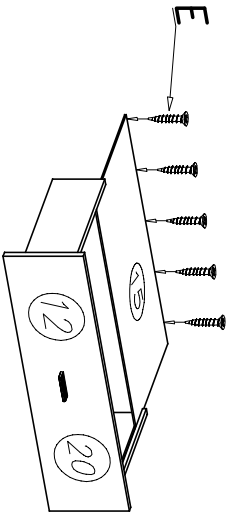
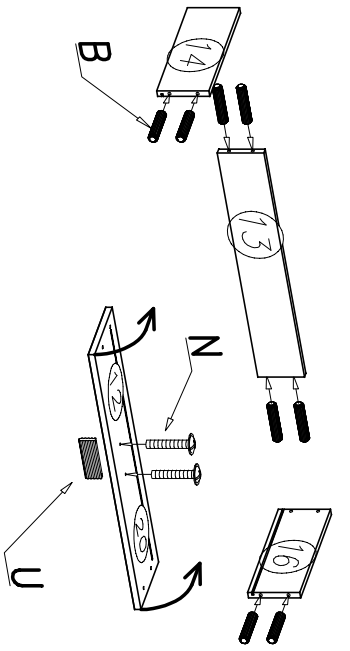
I



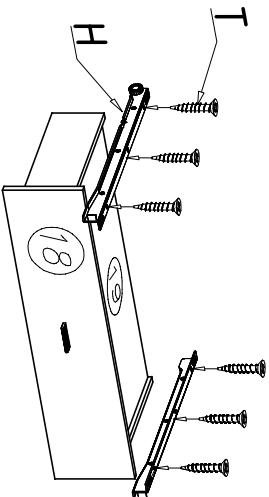
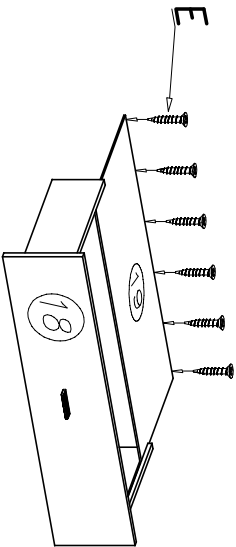
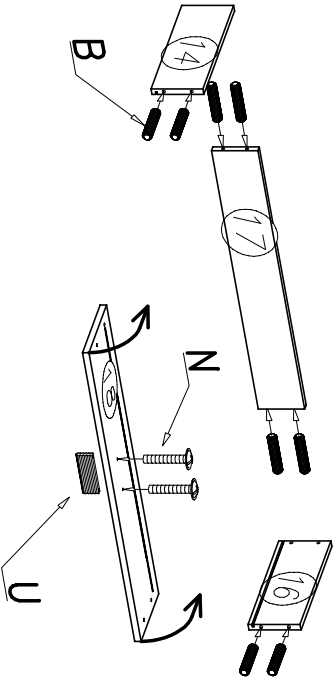
II



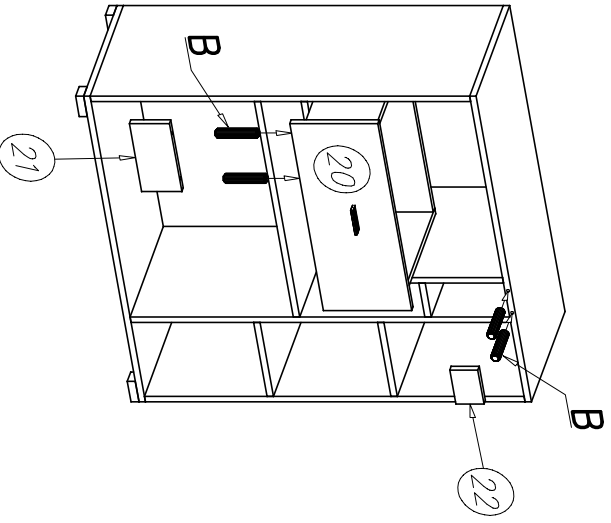
III



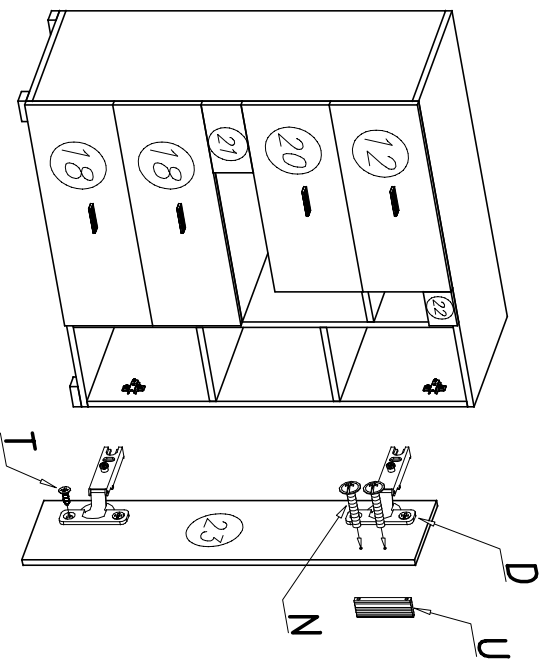
IV

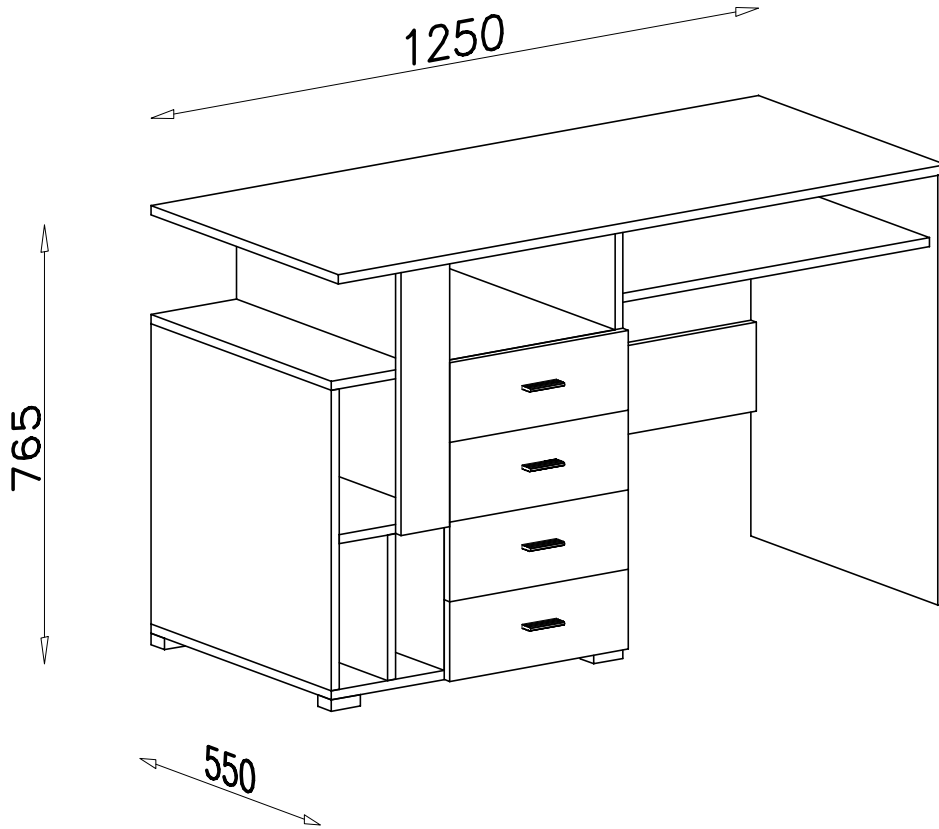
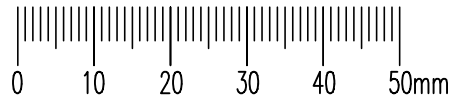
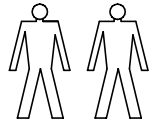
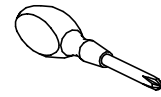
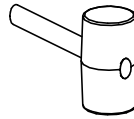
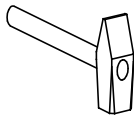
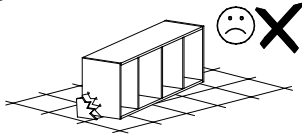
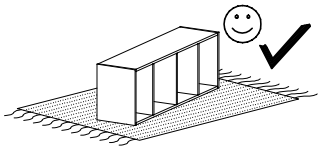


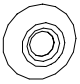
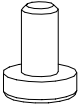
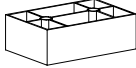





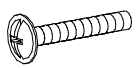

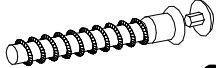




V



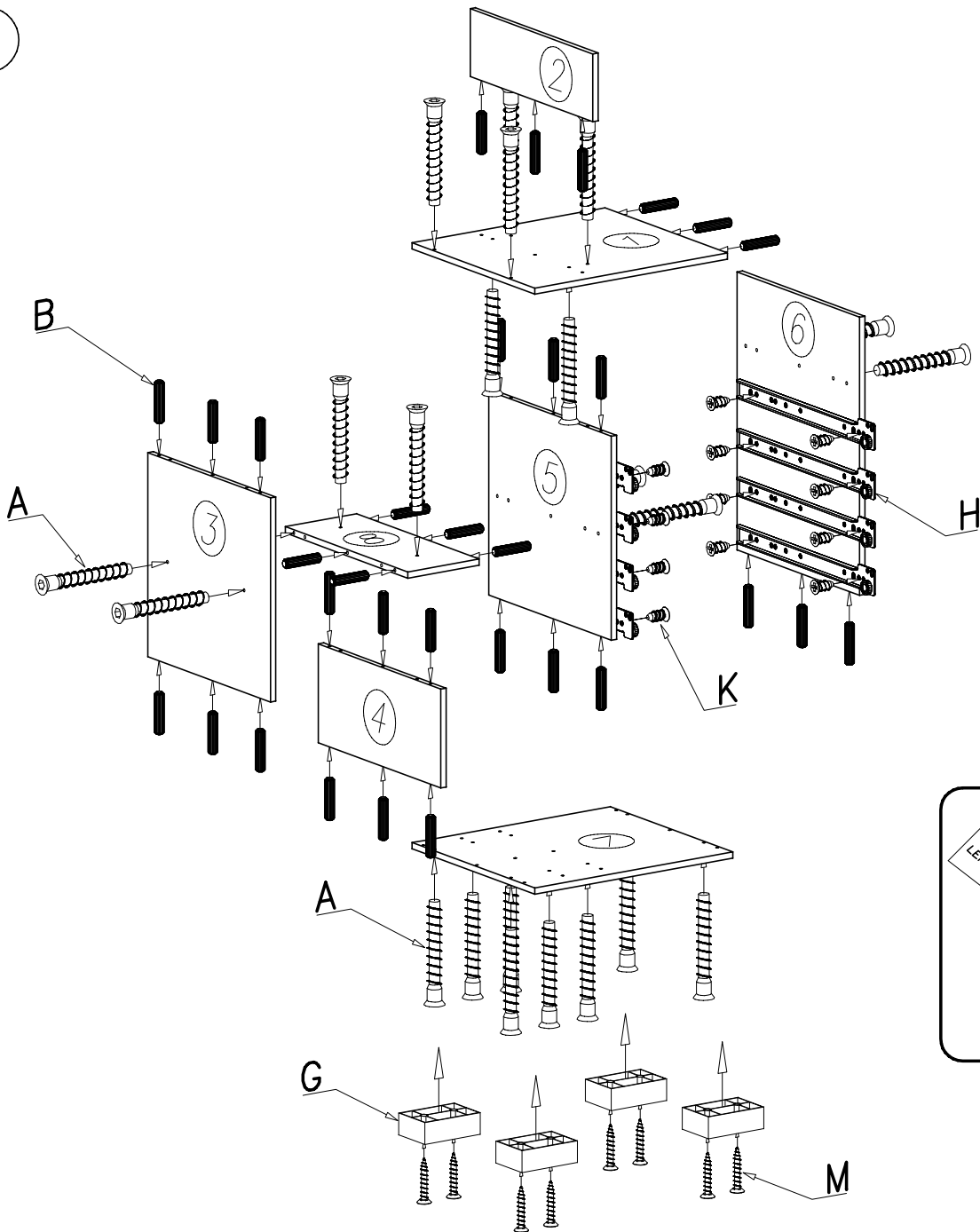
VI



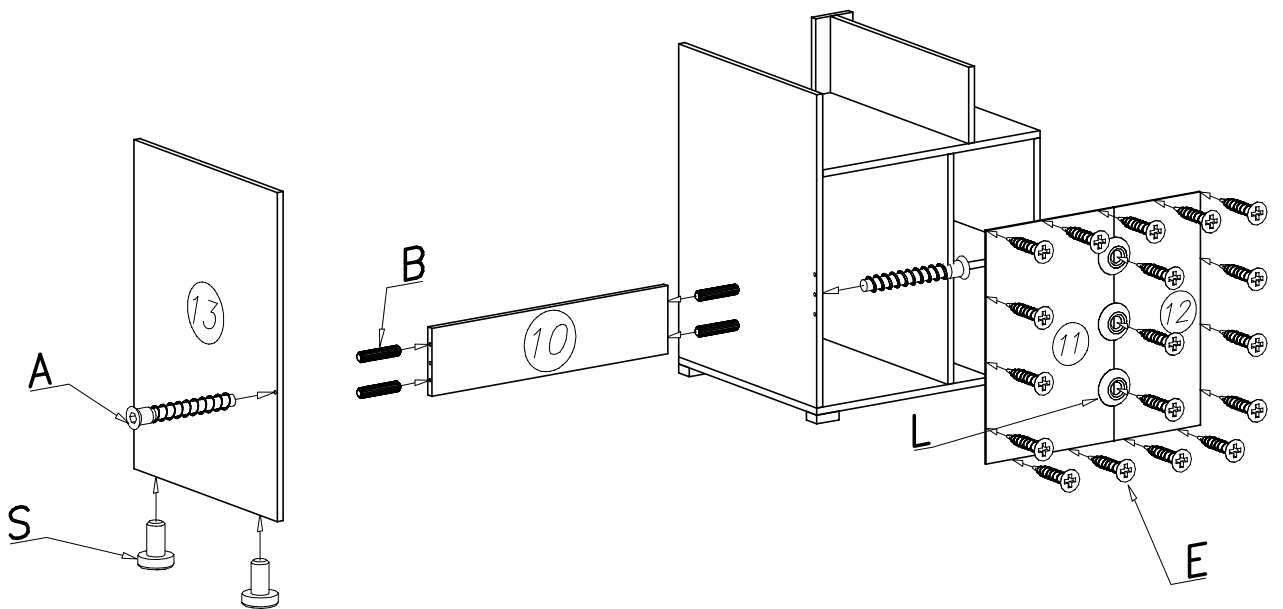


L	 x5	S	 x2	G	 x4	M	 4 x 25 x8	K	 6 x 13 x20
W	 GLUE KLEJ x4	E	 3 x 20 x40	U	 x4	N	 M4 x 22 x8	H	 x5
A	 x24	B	 x80	T	 4 x 16 x30	Z	 x1		 40cm x5

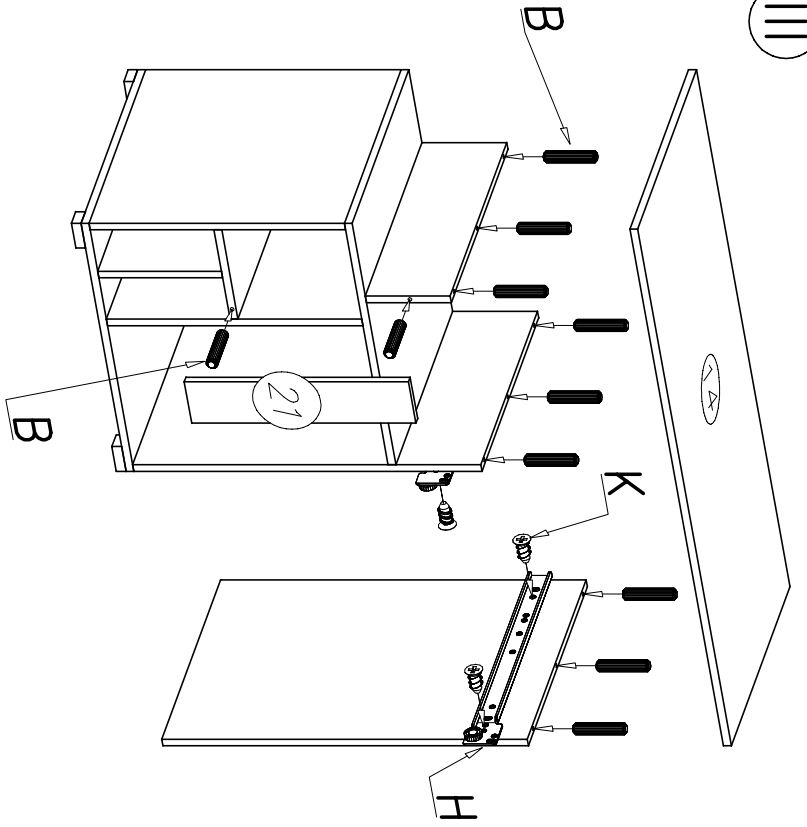
I



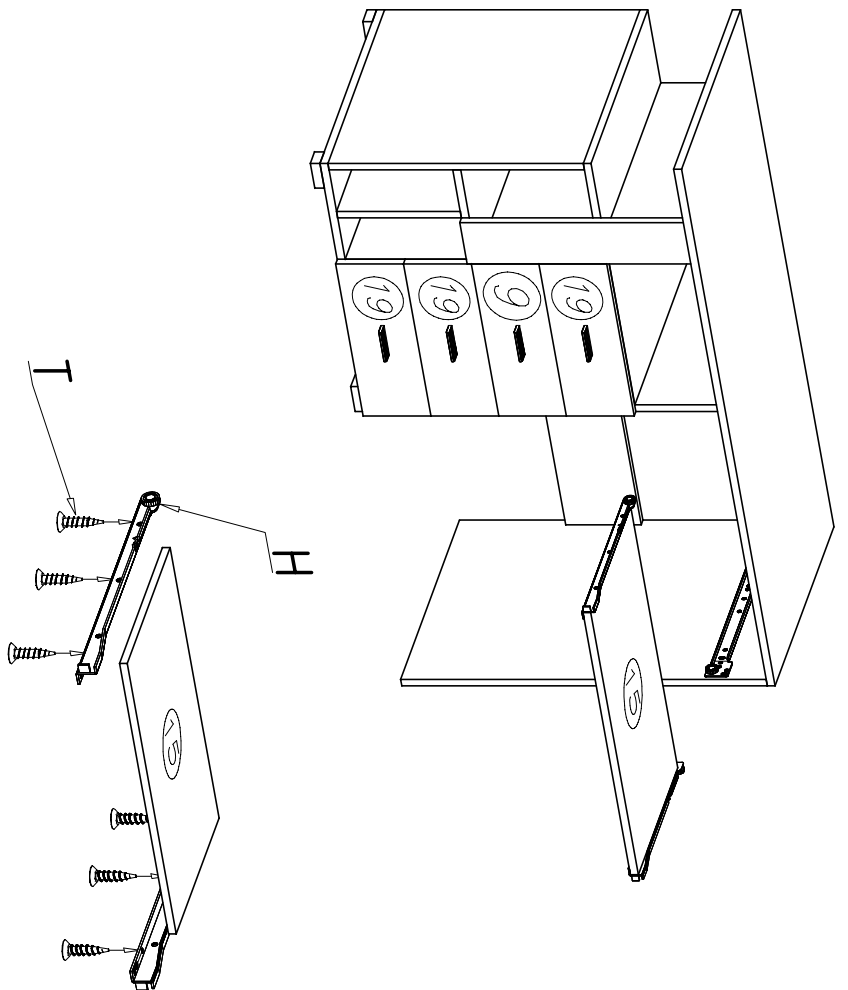
II



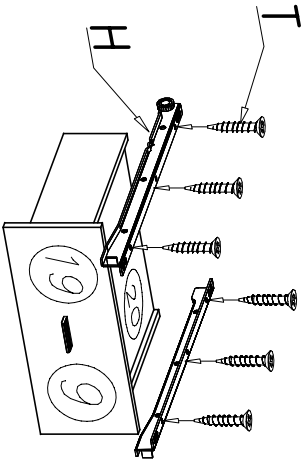
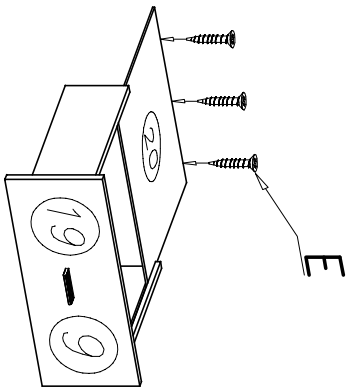
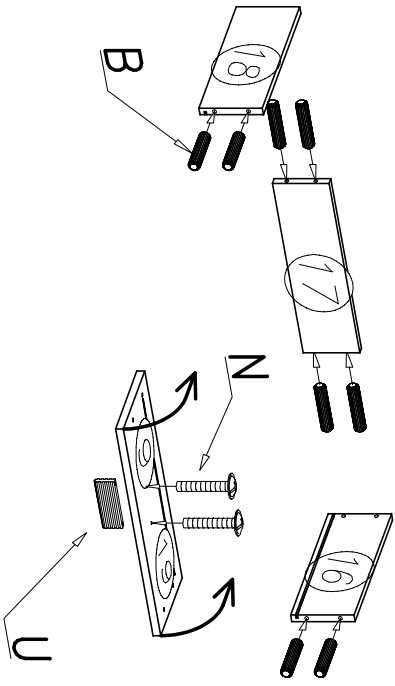
III

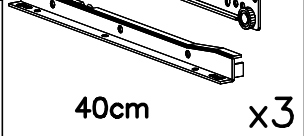
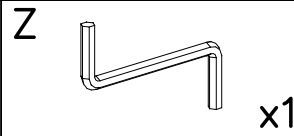
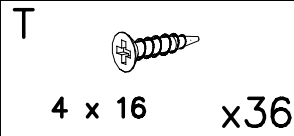
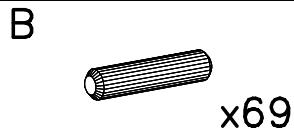
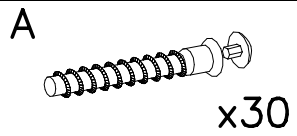
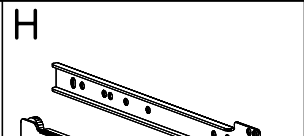
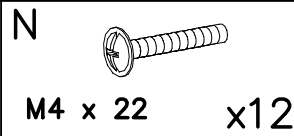
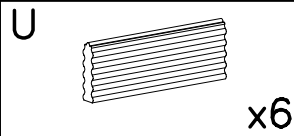
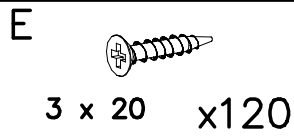
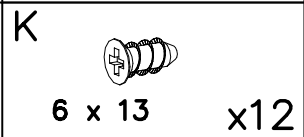
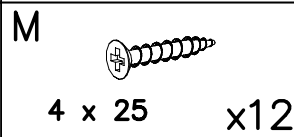
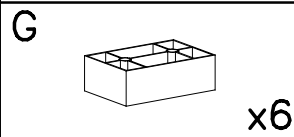
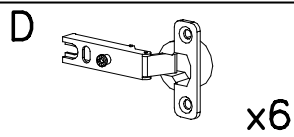
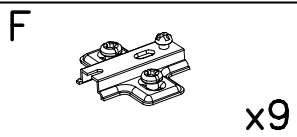
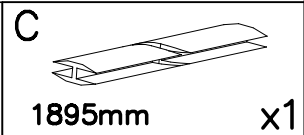
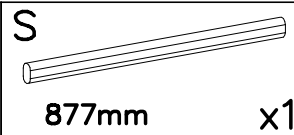
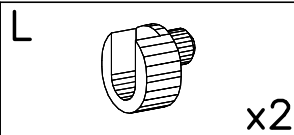
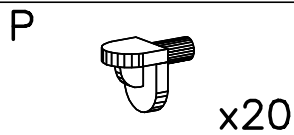
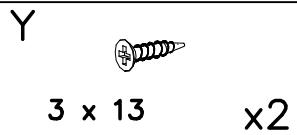
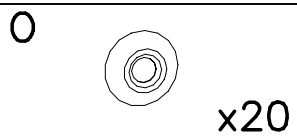
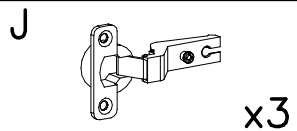
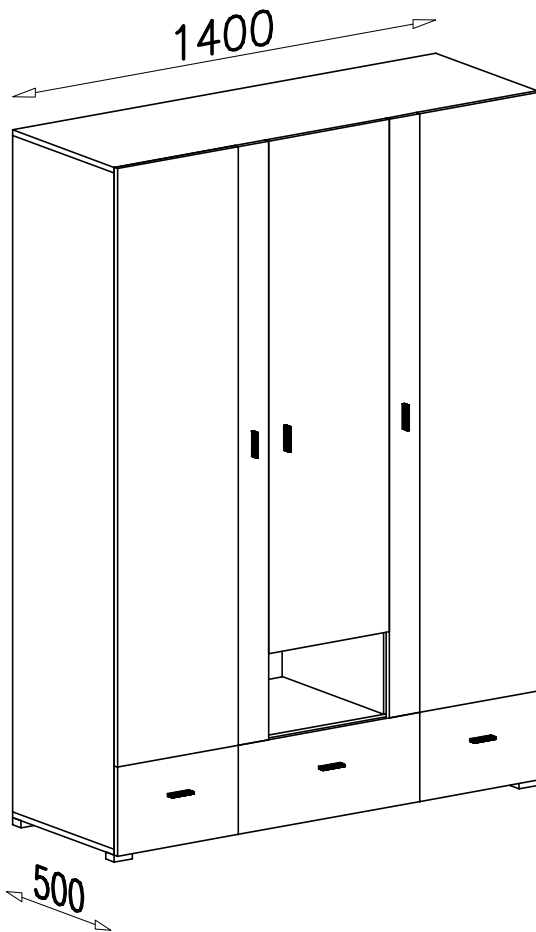
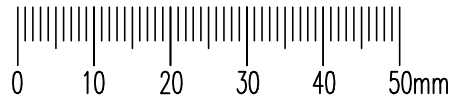
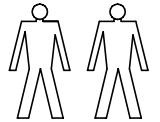
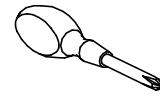
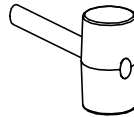
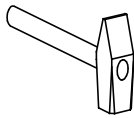
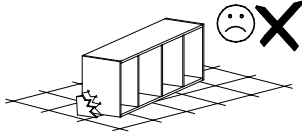
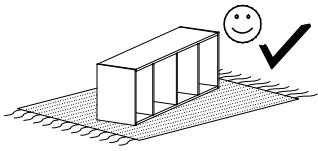


V

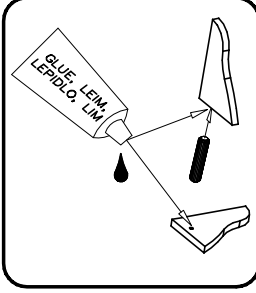
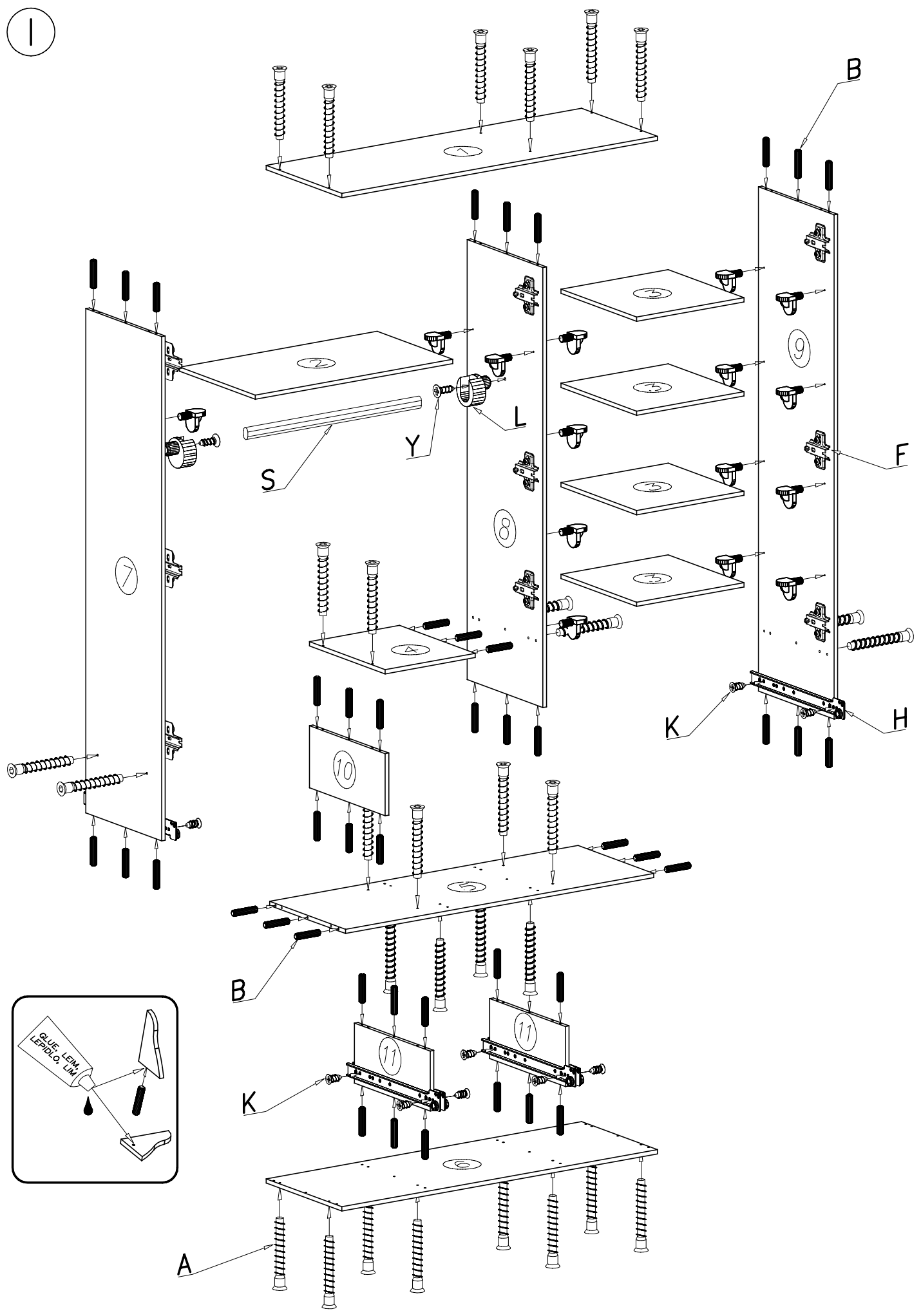


IV

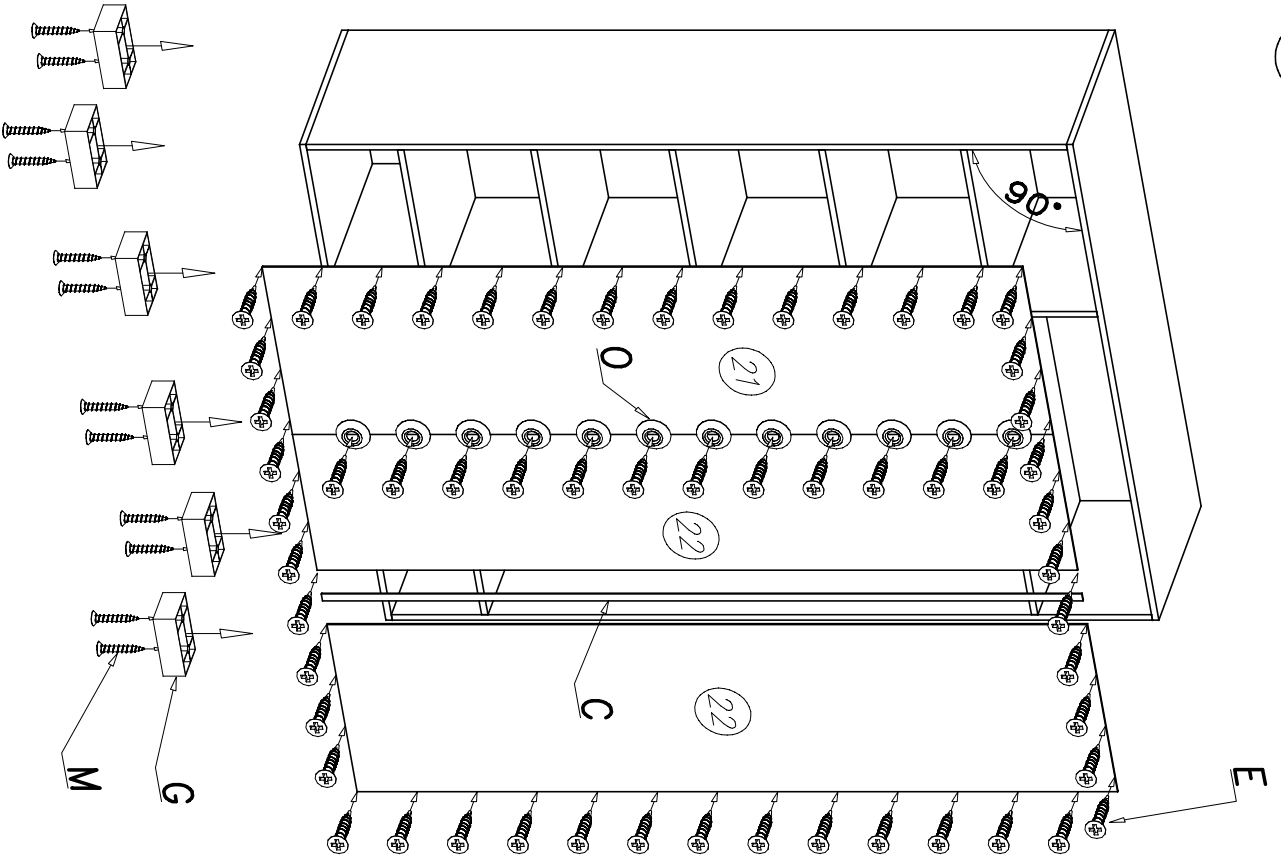




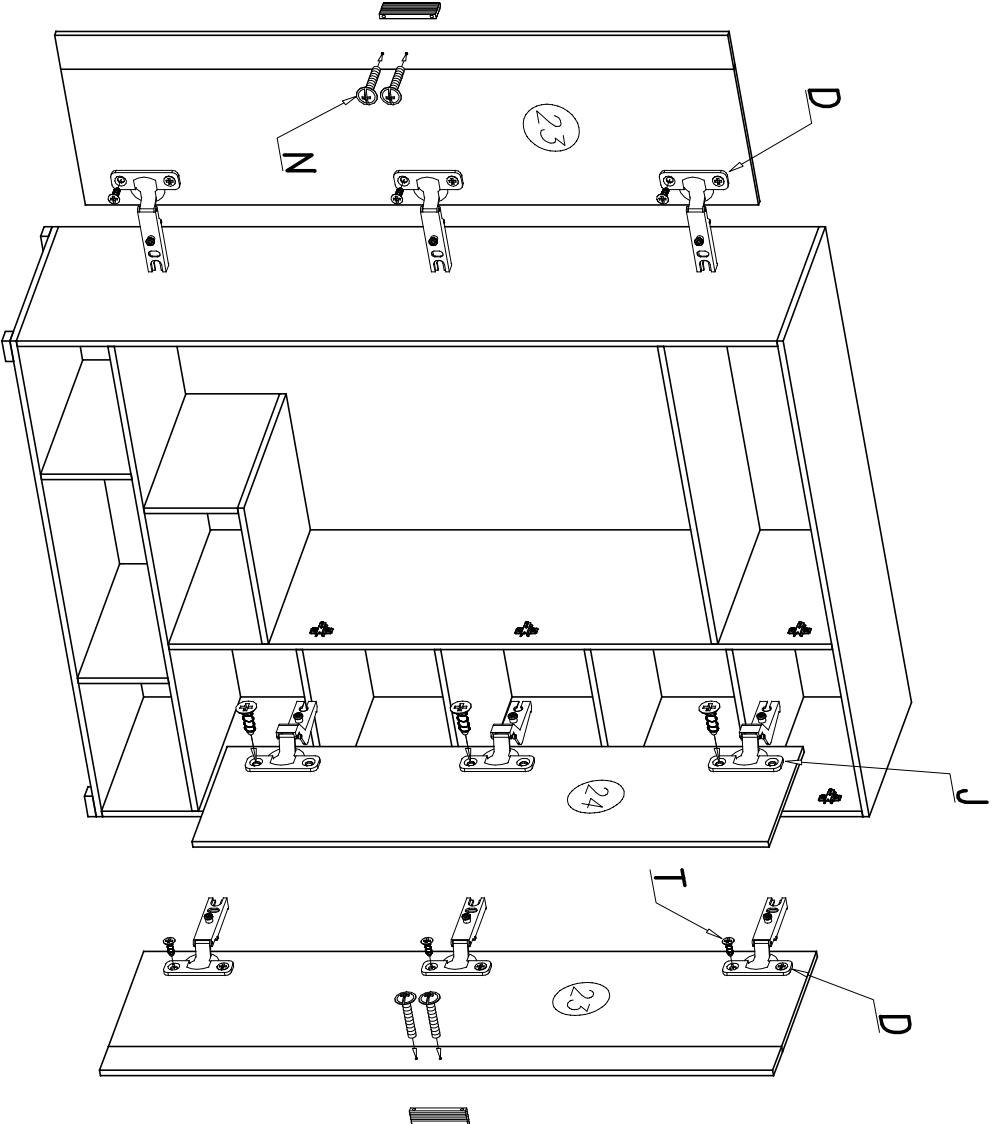
I



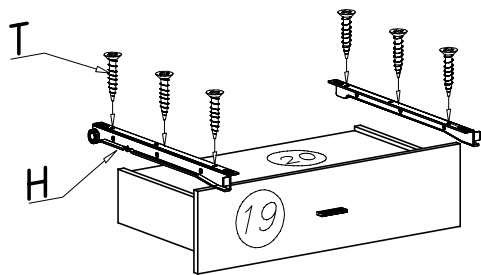
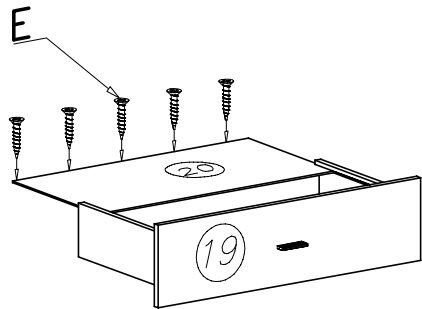
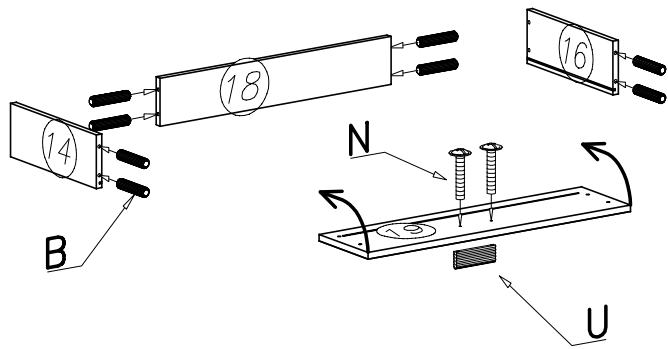
II



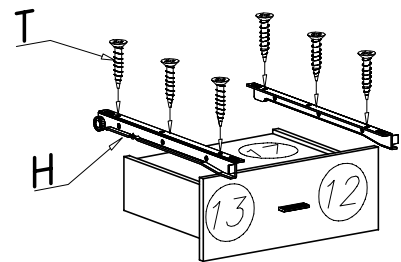
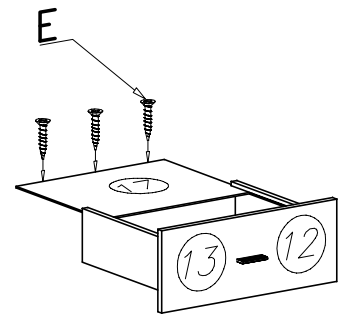
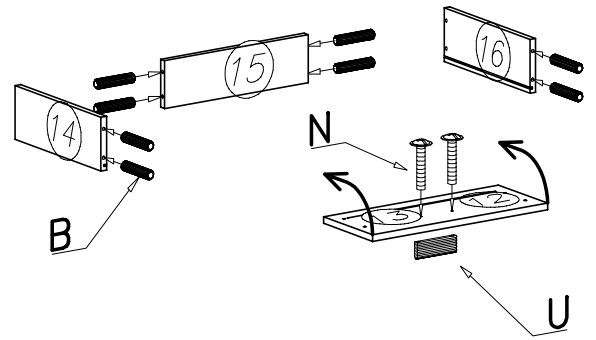
III



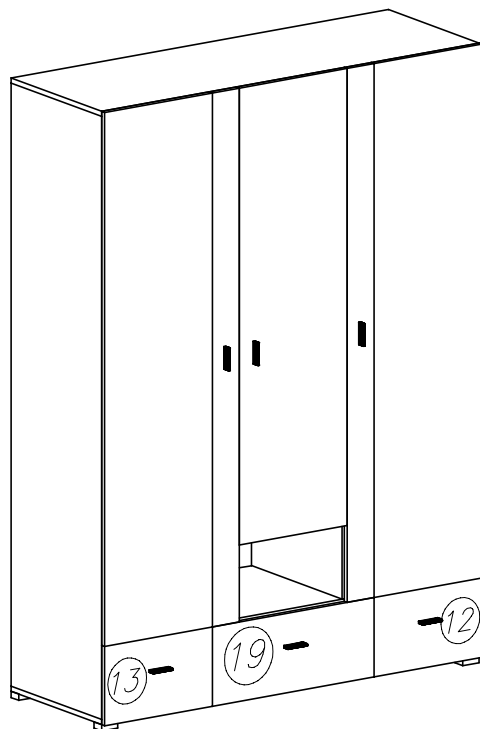
IV

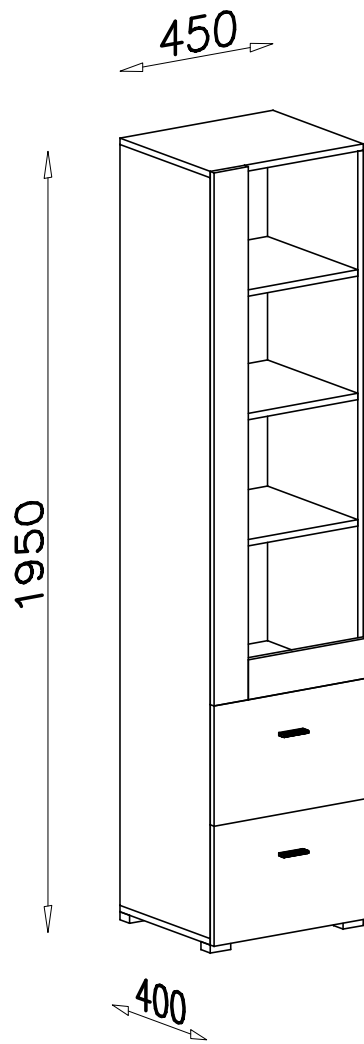
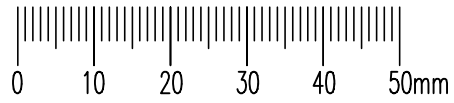
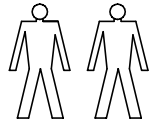
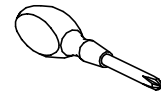
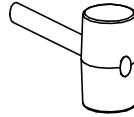
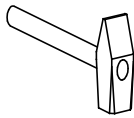
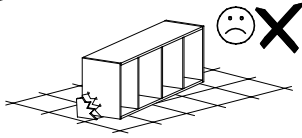
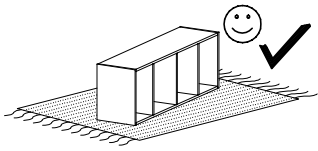



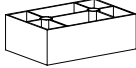





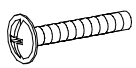
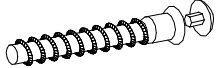




V



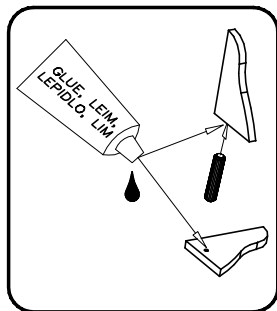
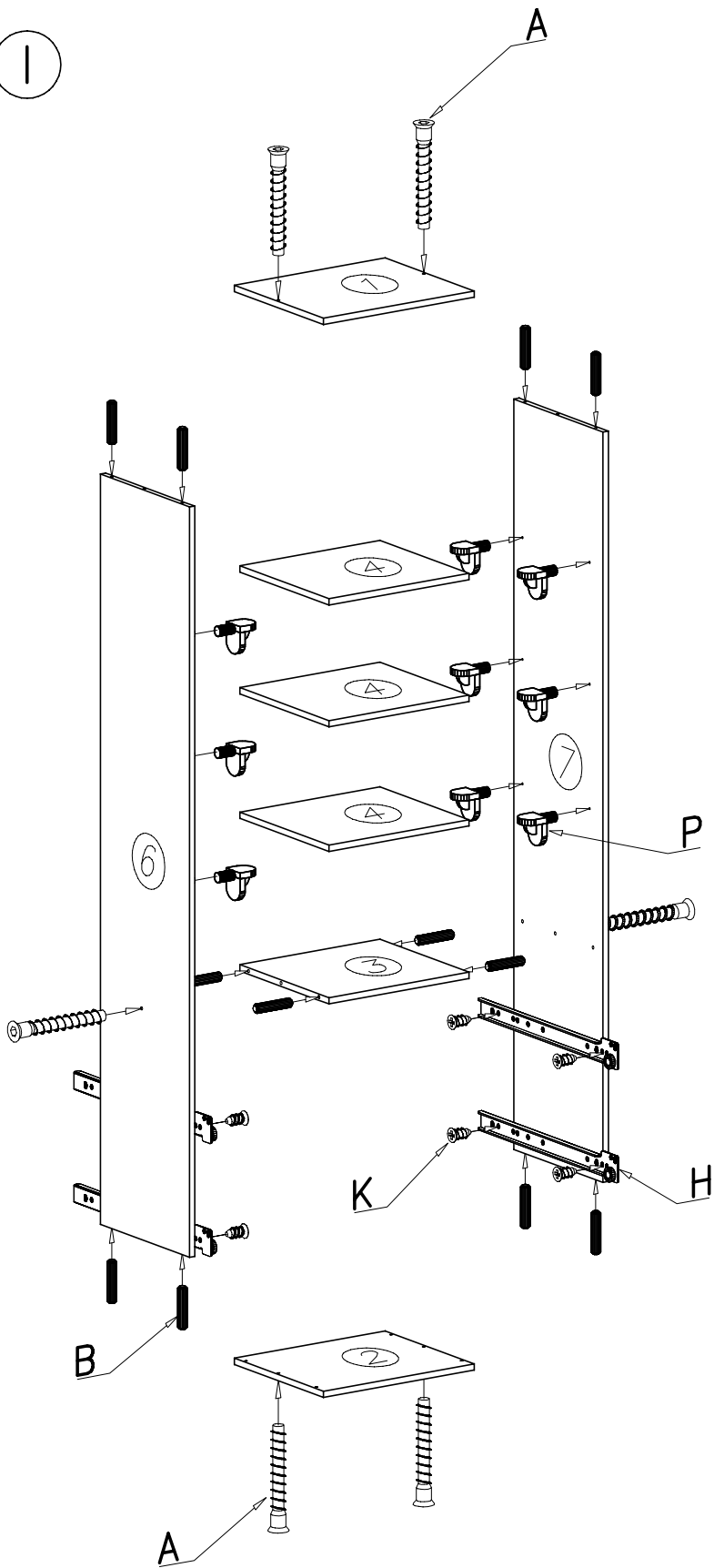
VI



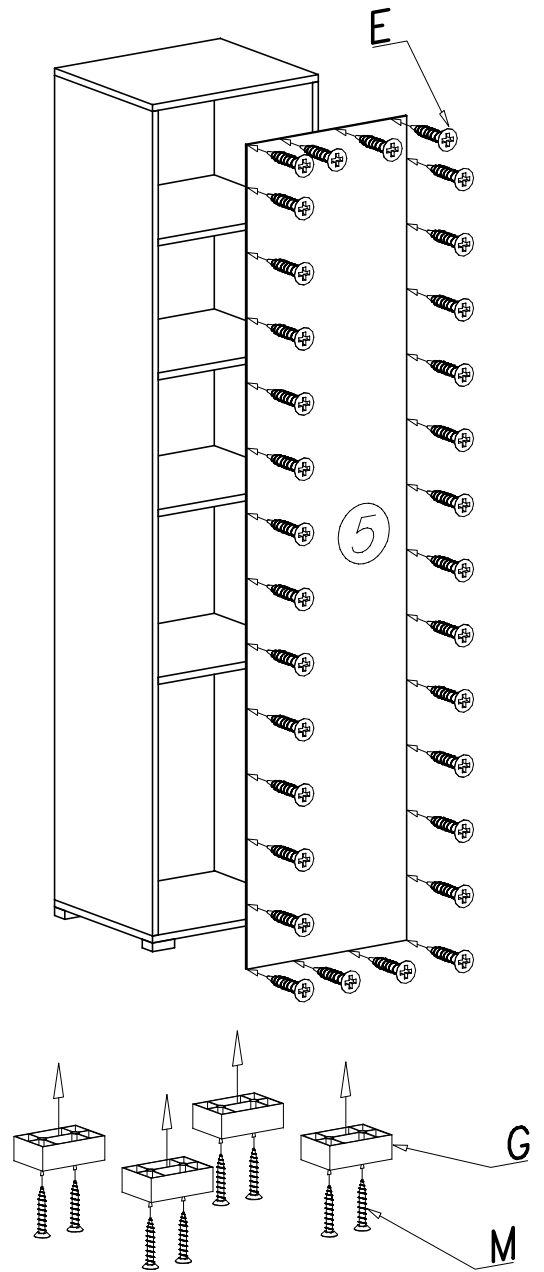


K  6 x 13 x8	G  x4	M  4 x 25 x8	P  x12
W  x2	E  3 x 20 x60	U  x2	N  M4 x 22 x4
A  x6	B  x37	T  4 x 16 x12	Z  x1
			H  35cm x2

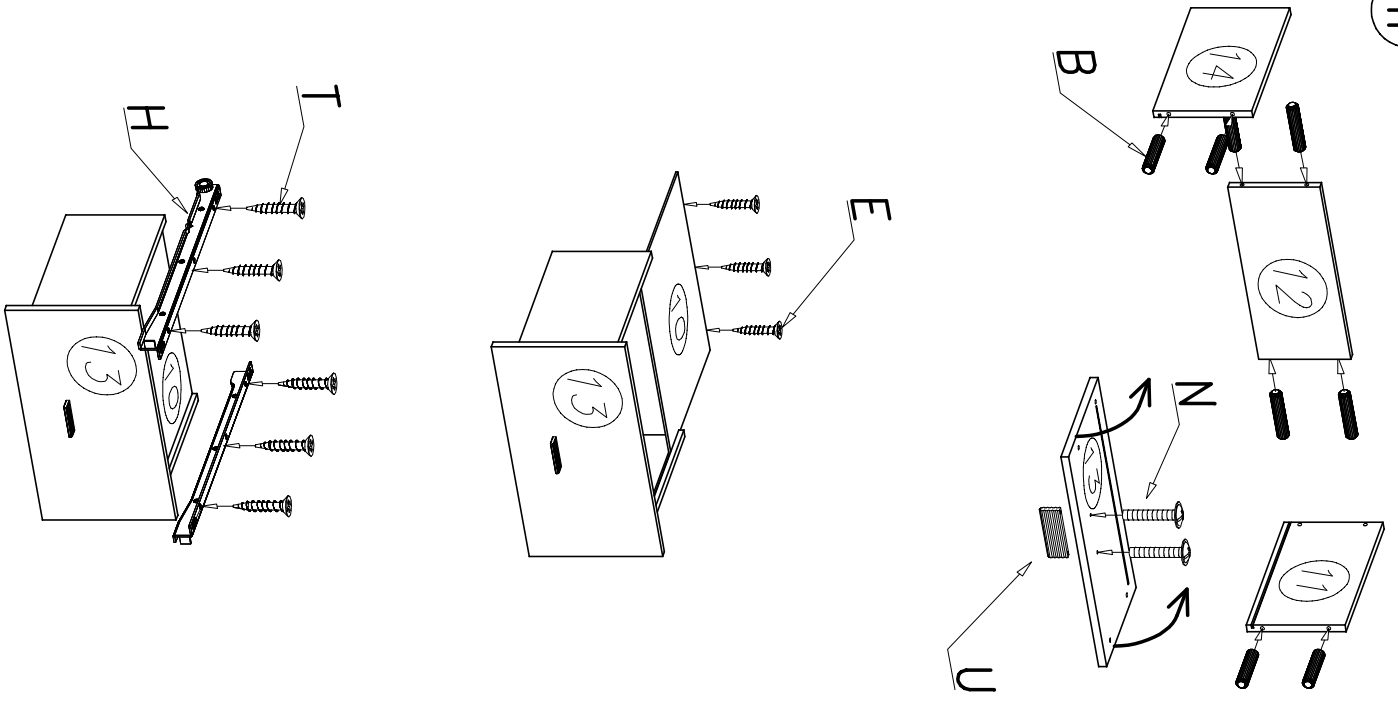
I



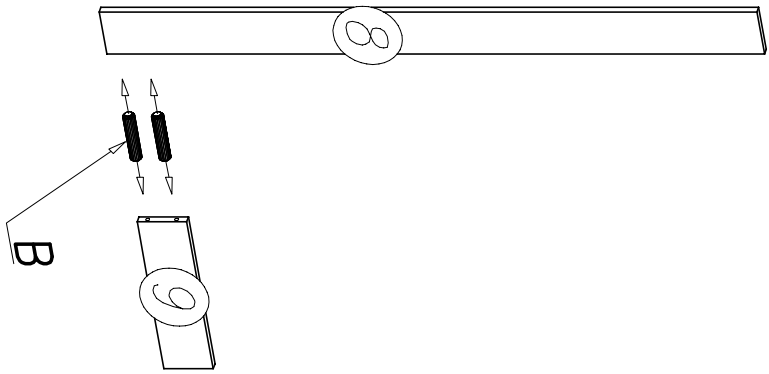
II



III



IV



V

