


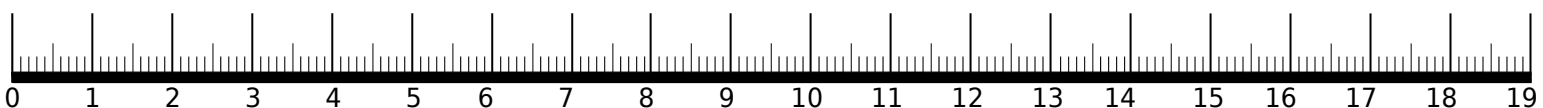
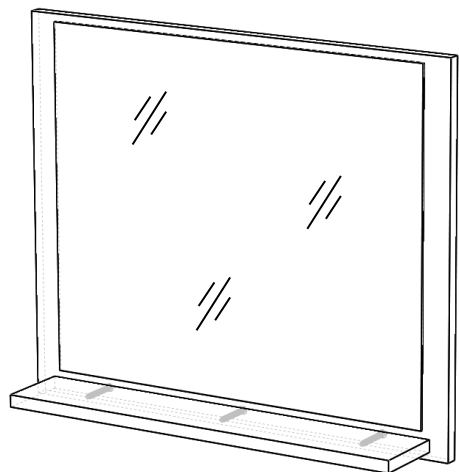
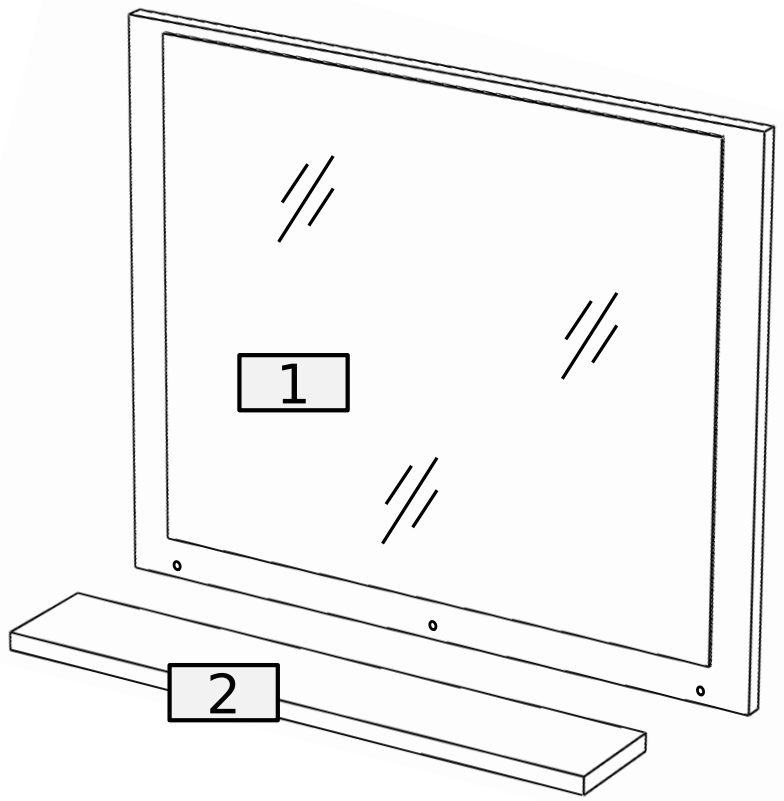


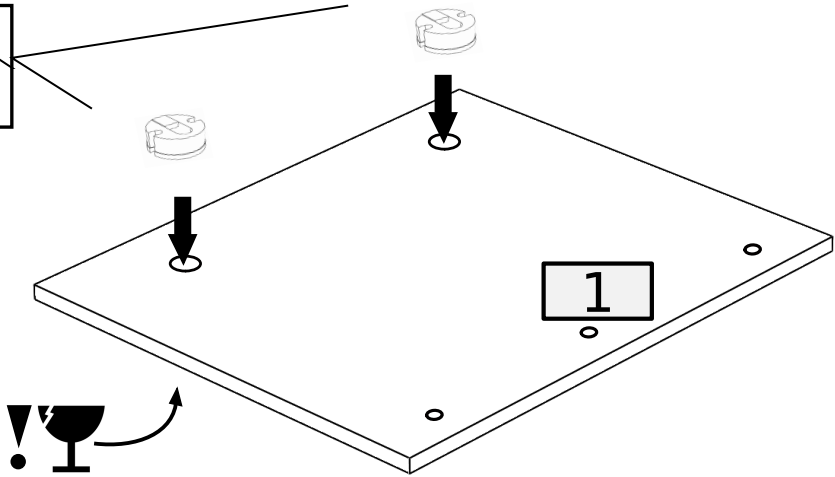
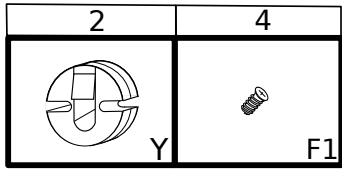
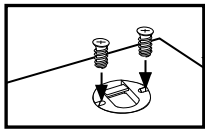
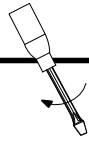
2	4	3
 Y	 F1	 O



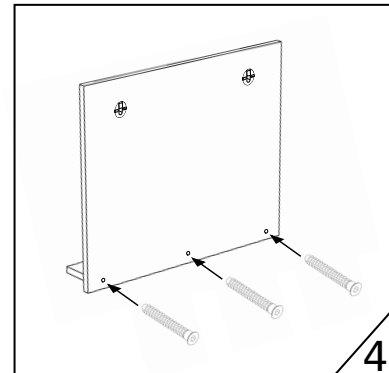
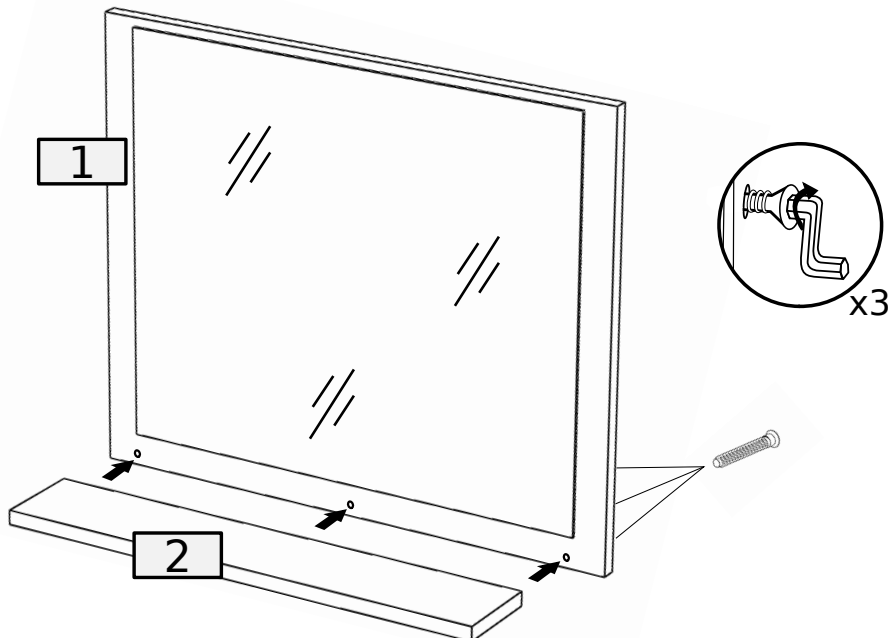
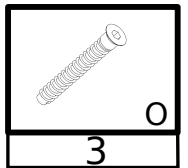
No.	Pcs.	L	W	D	Pac
1	1	600	500	16	1/1
2	1	548	100	16	1/1



①

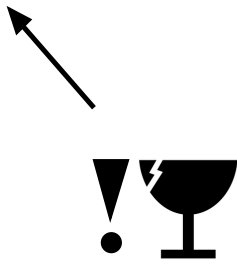
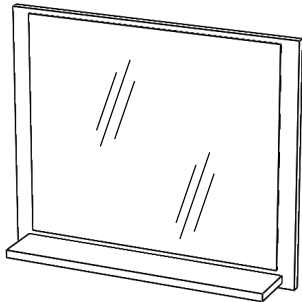
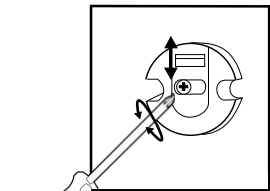
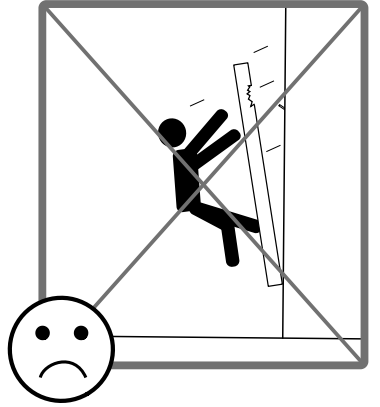
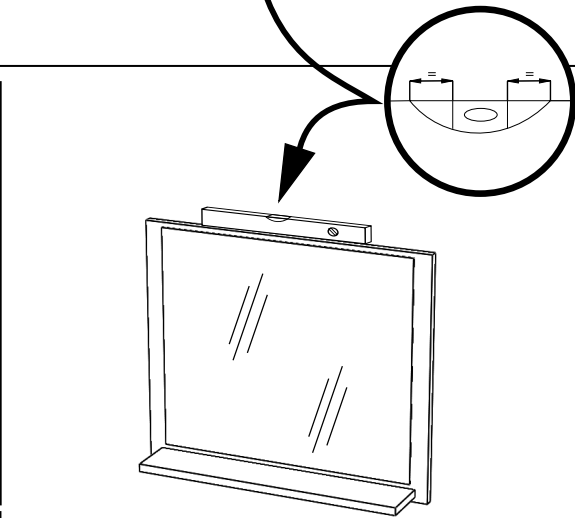
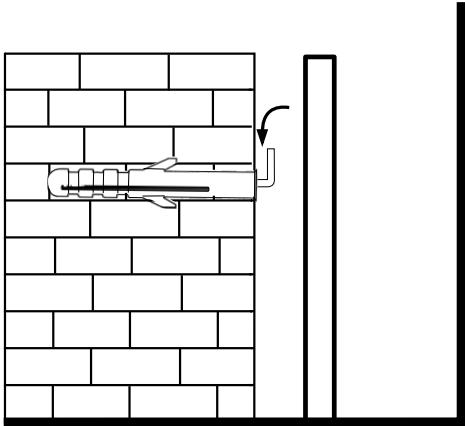
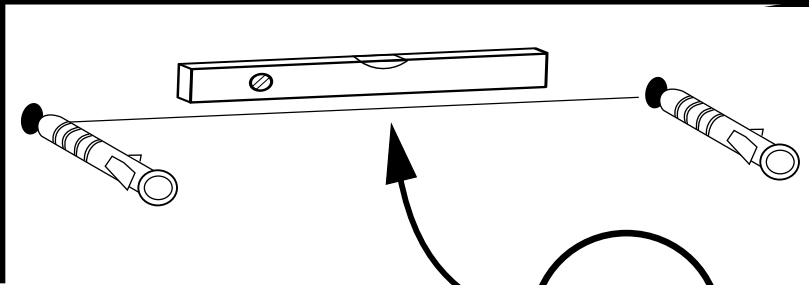
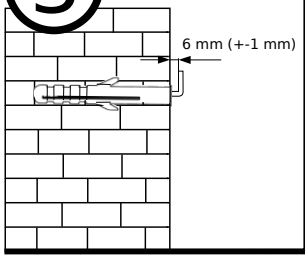


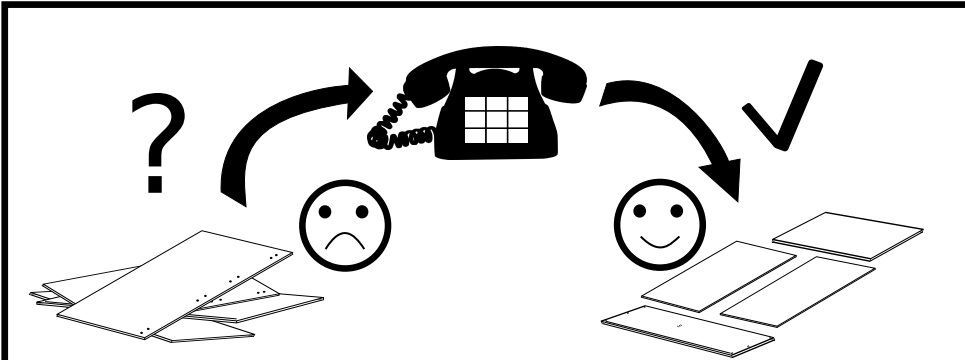
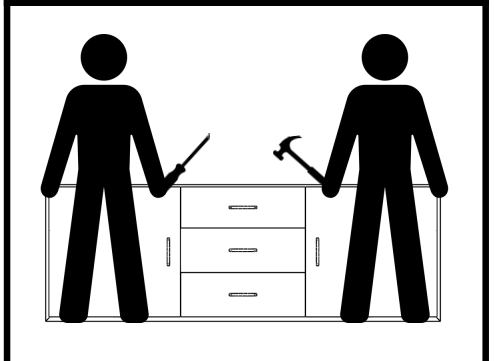
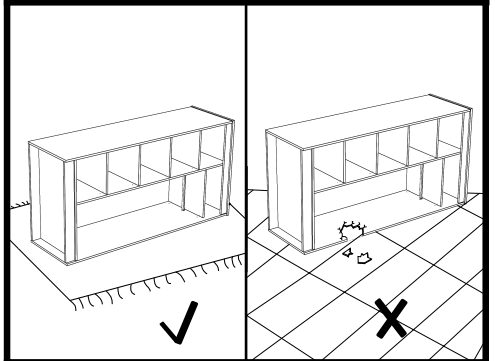
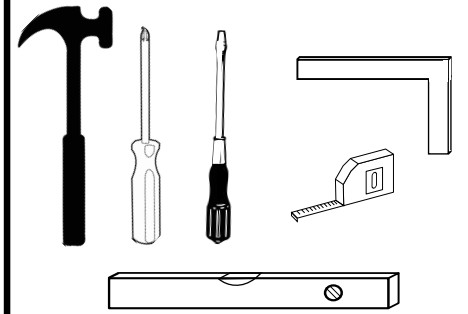
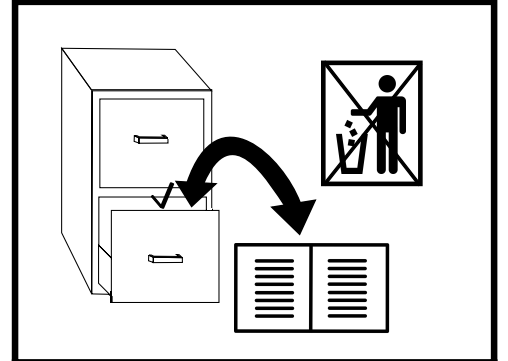
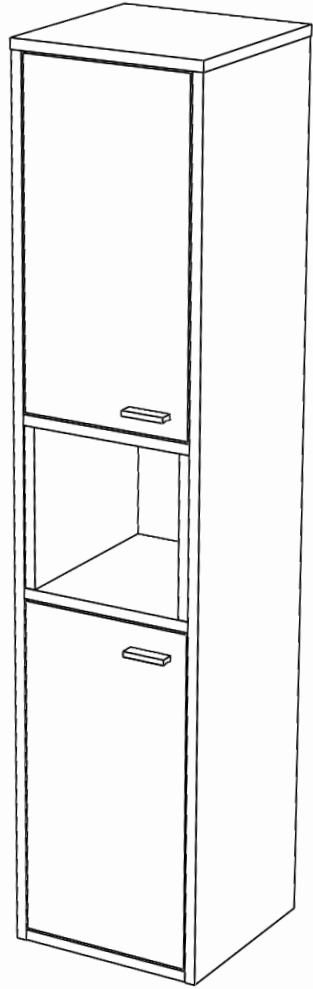
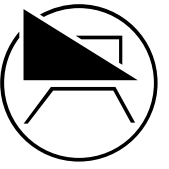
②

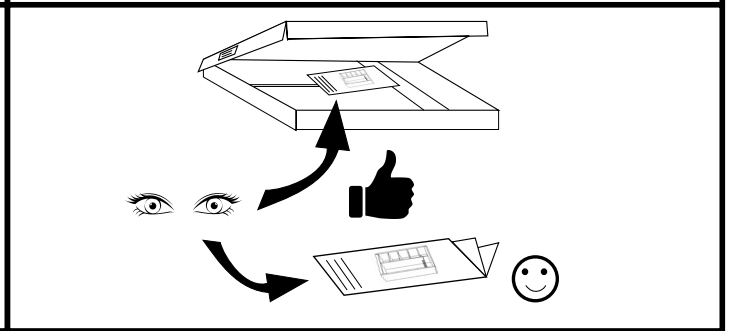
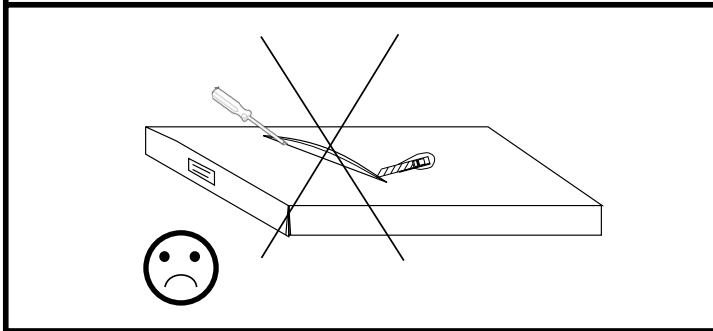
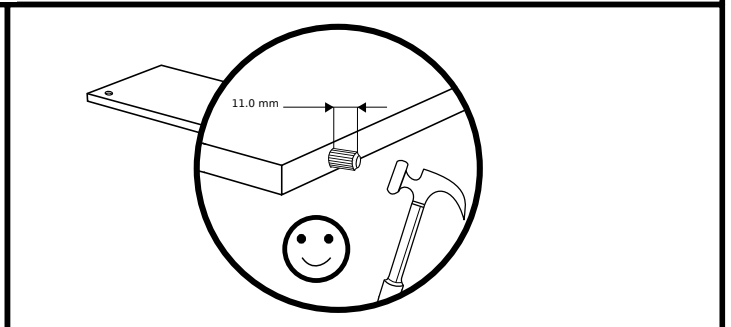
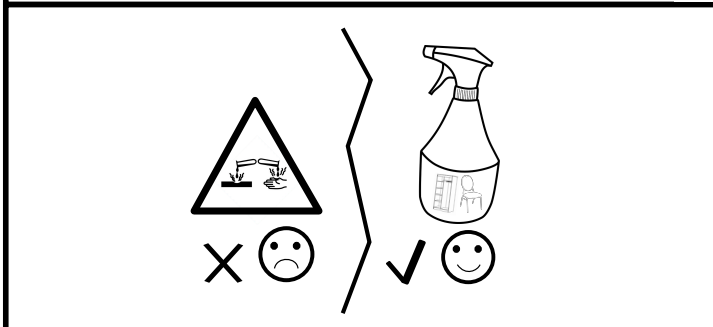
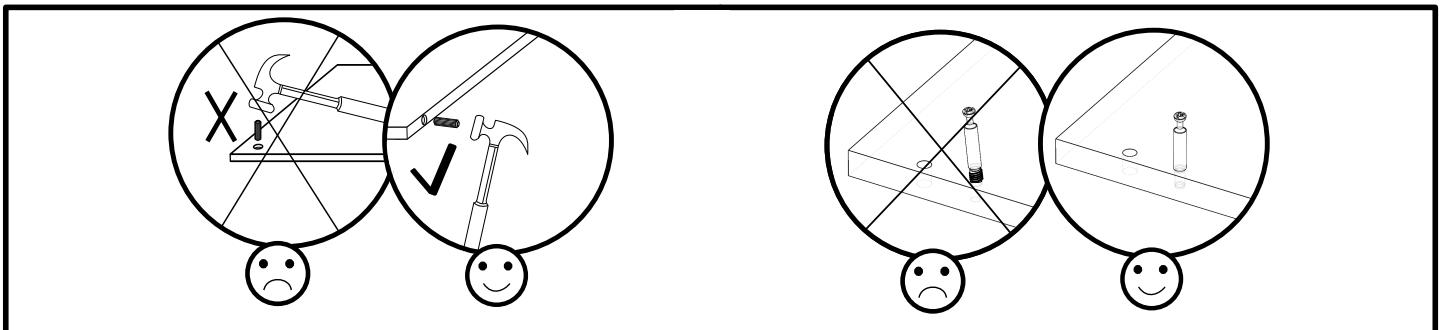



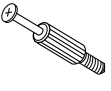
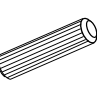

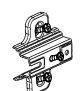

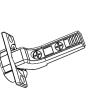
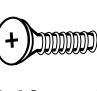
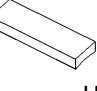

4

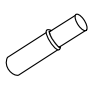

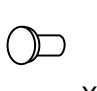
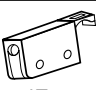
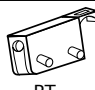

3

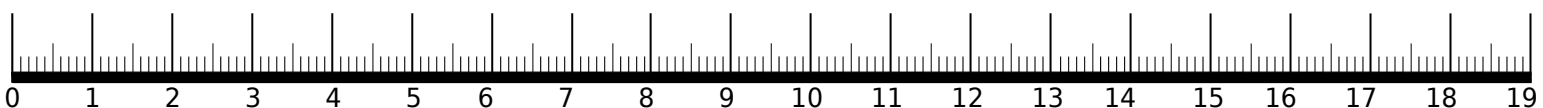
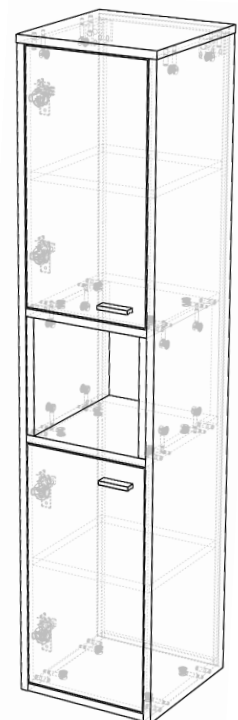


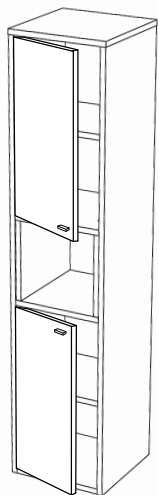




24	24	16	4	4
				
B	A	8.0x35	D 3.5x25	PZ
				
X	Z	3.5x16	UO	G
12	4	8	2	6

8	8	8
		
S3	I	X2
		
LT	RT	4.0x30
W	W	W8
1	1	4

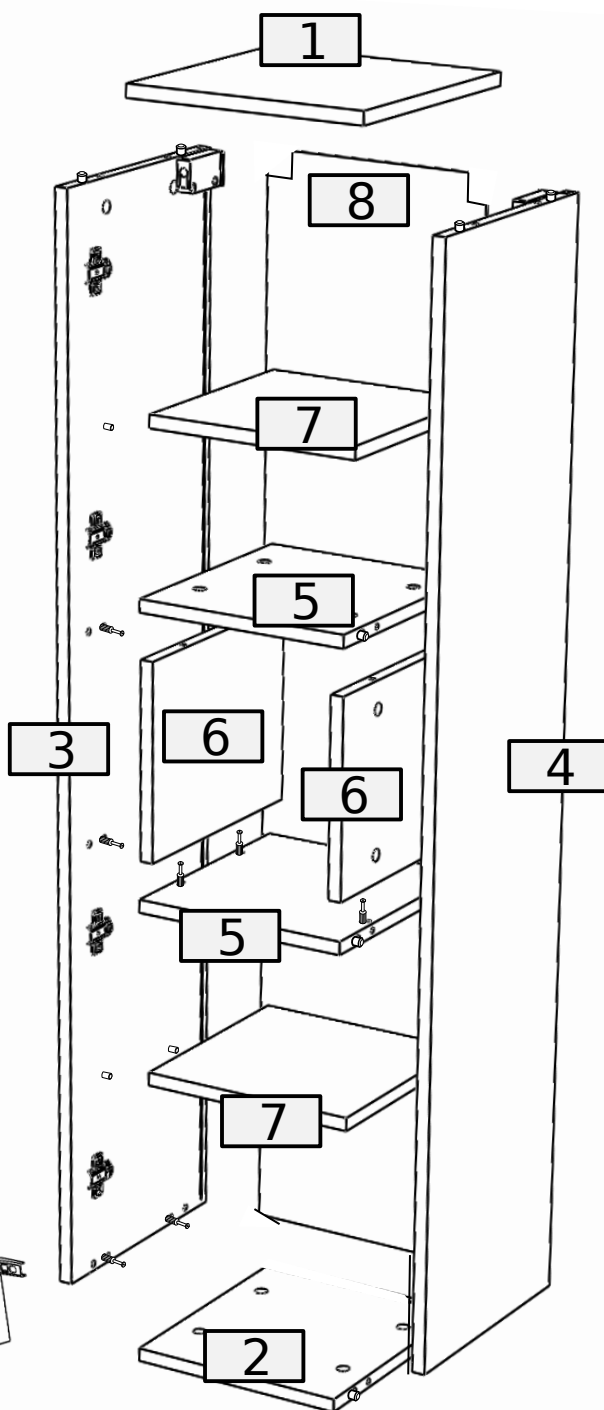
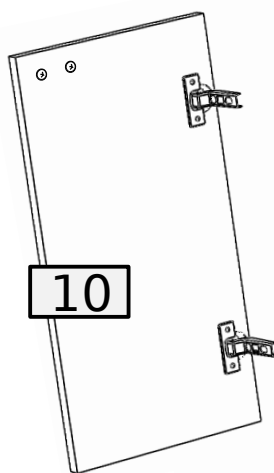
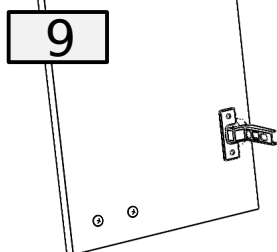




A

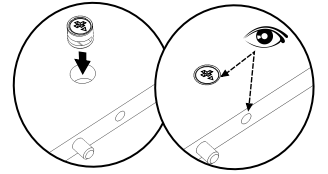
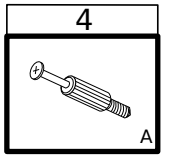
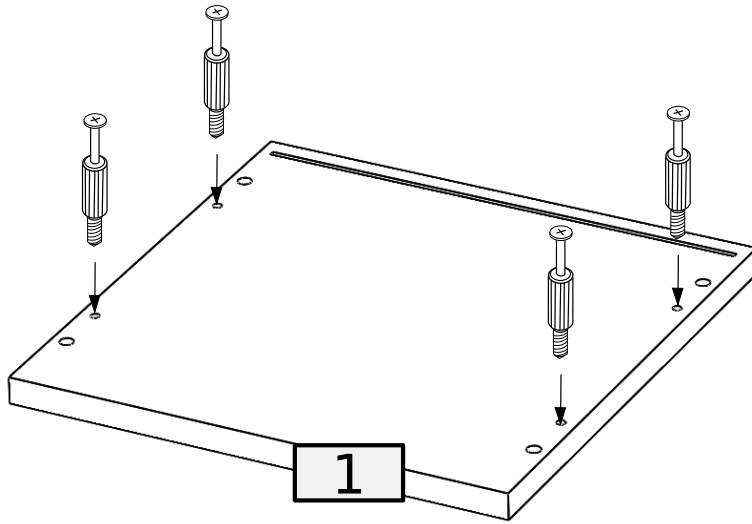


B

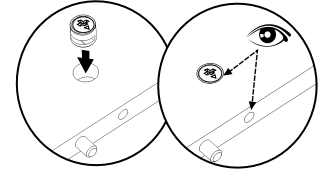
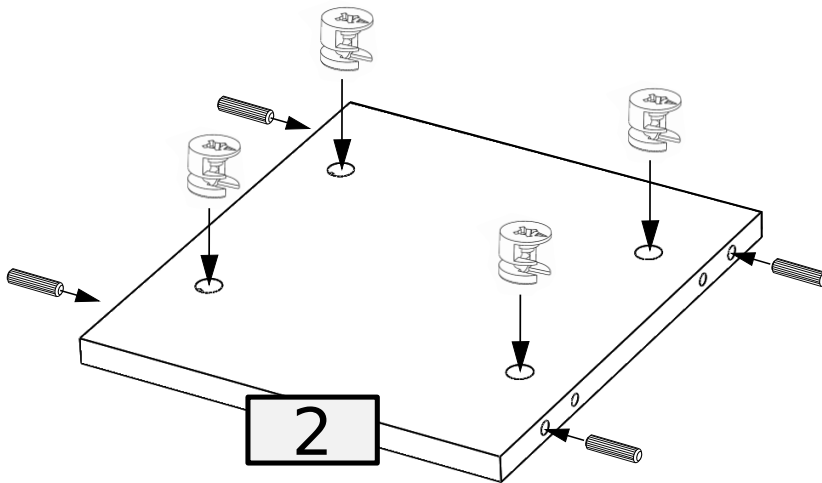
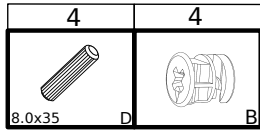


No.	Pcs.	L	W	D	Pac
1	1	300	300	16	1/1
2	1	278	266	16	1/1
3	1	1313	298	16	1/1
4	1	1313	298	16	1/1
5	2	277	266	16	1/1
6	2	276	240	16	1/1
7	2	260	266	16	1/1
8	1	1320	280	3	1/1
9	1	506	260	16	1/1
10	1	506	260	16	1/1

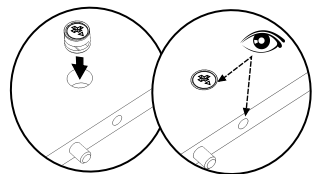
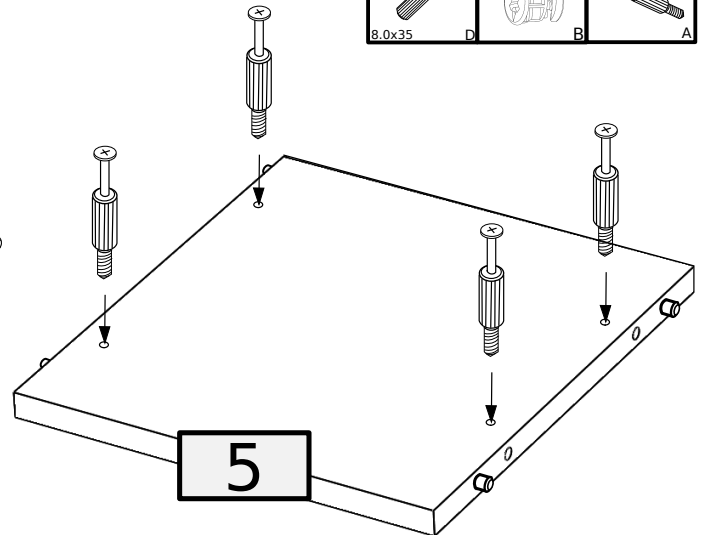
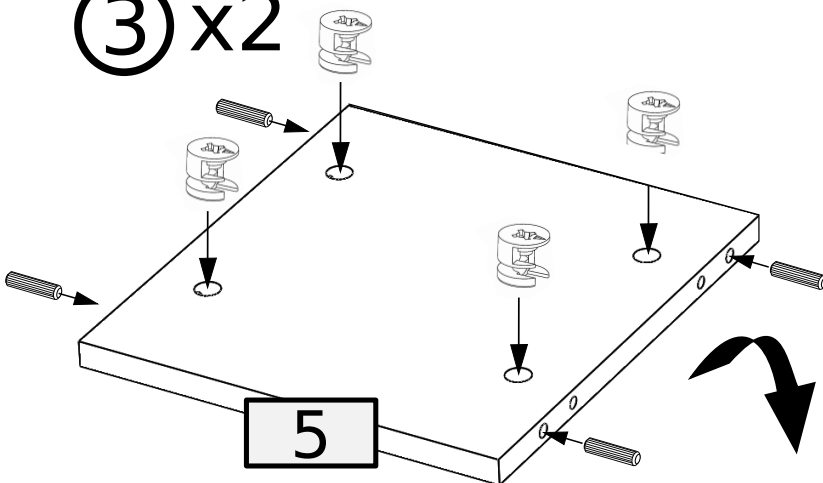
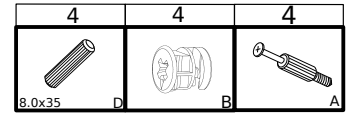
①



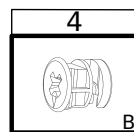
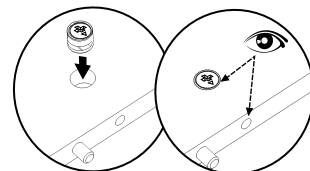
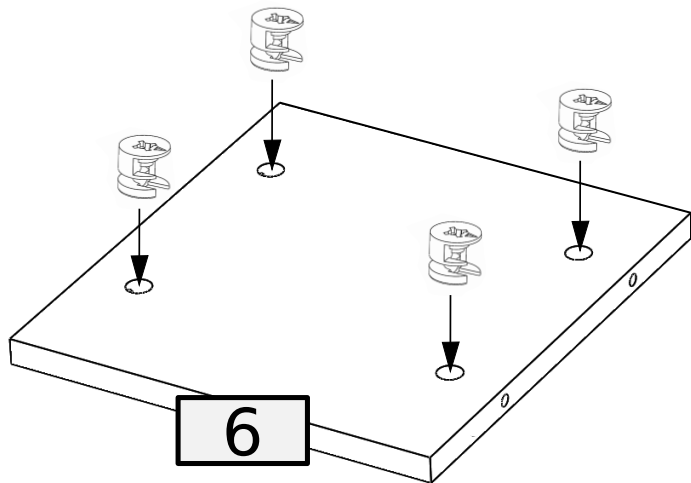
②



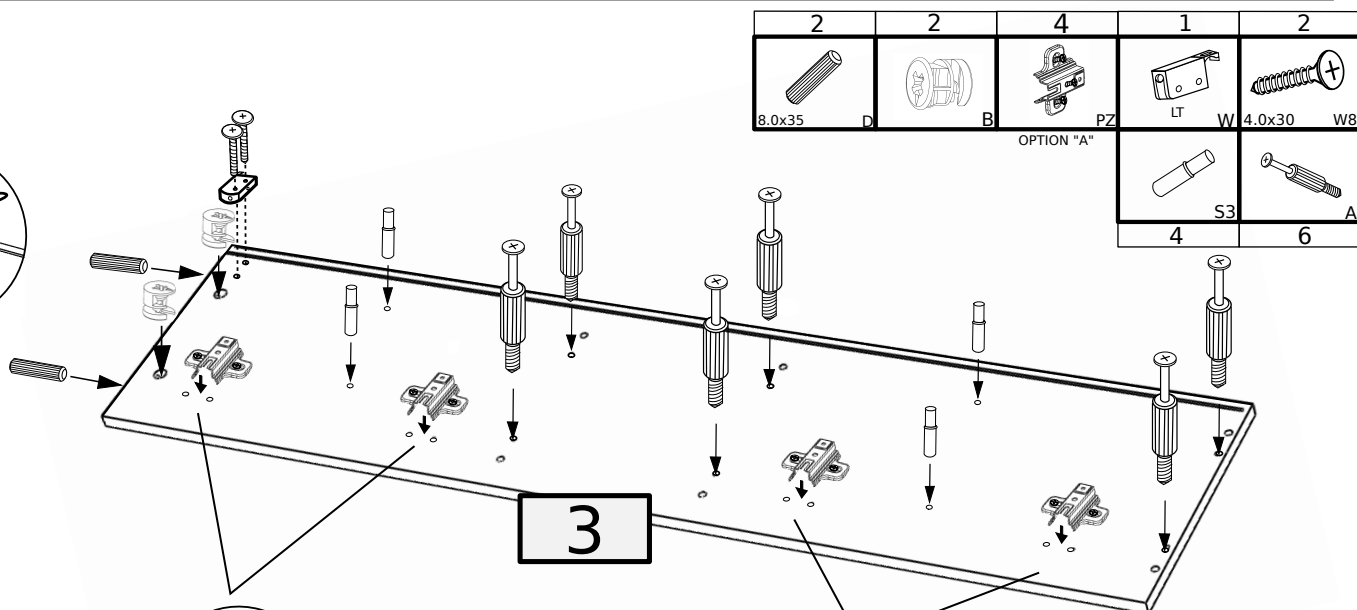
③ x2



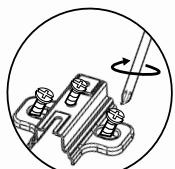
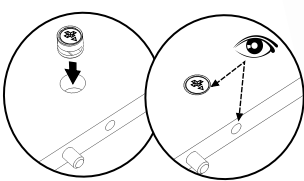
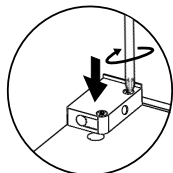
④ x2



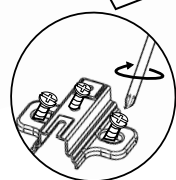
⑤



2	2	4	1	2
8.0x35	D	B	PZ	LT
OPTION "A"				
			W	4.0x30
				W8
			S3	A
			4	6

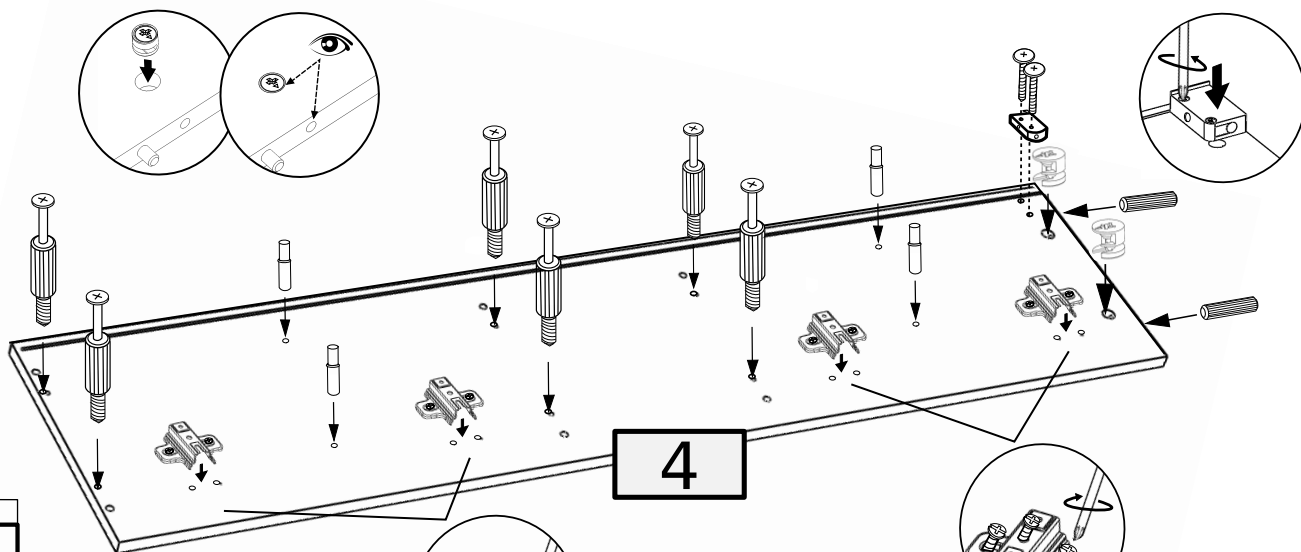


"A"



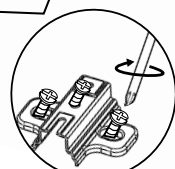
"A"

⑥

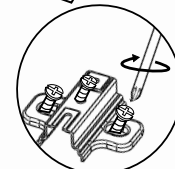


4	6
S3	A

2	2	4	1	2
8.0x35	D	B	RT	W
OPTION "A"				
				4.0x30
				W8





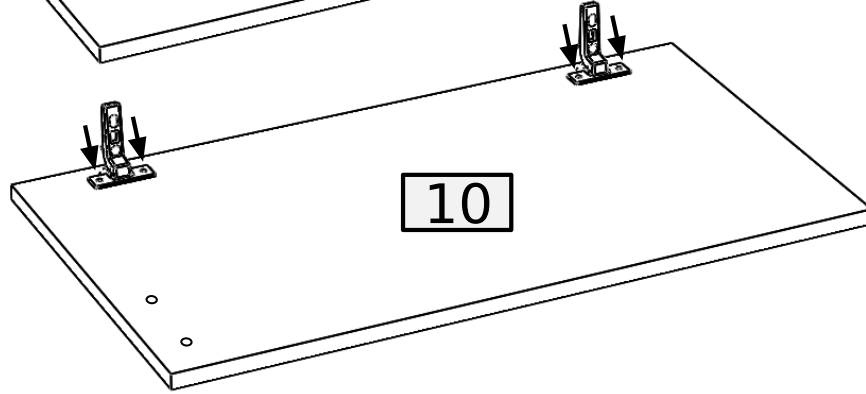
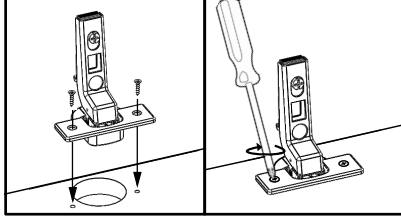
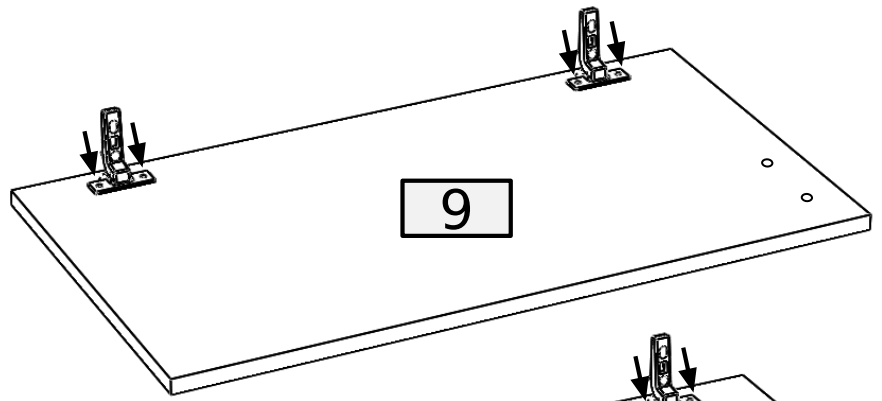
"B"



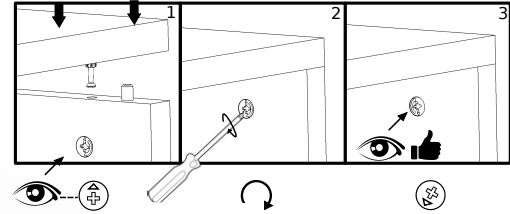
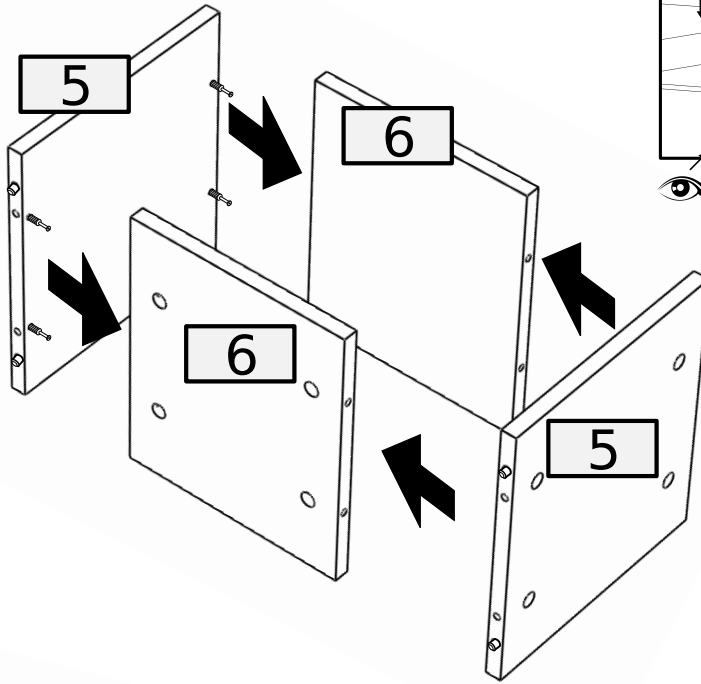
"B"

7

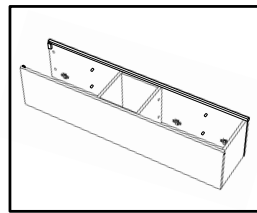
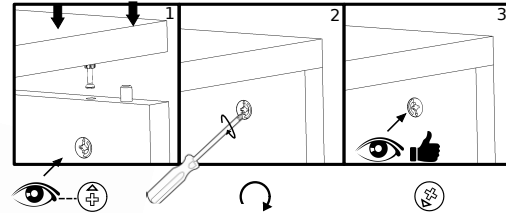
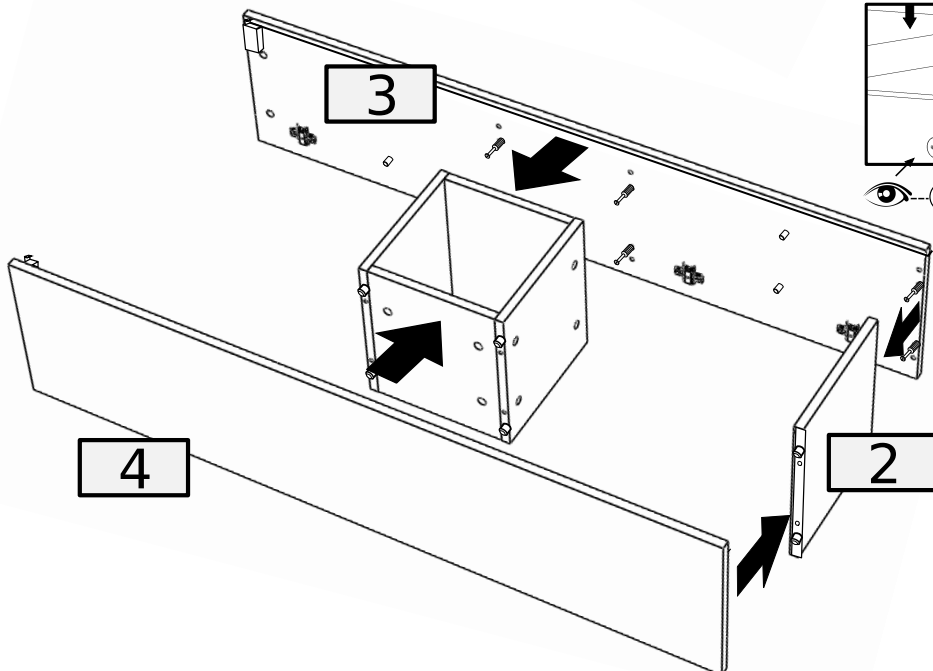
	
3.5x16	W2 Z
4	2



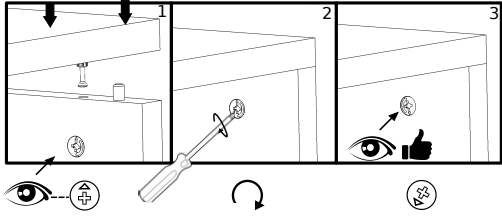
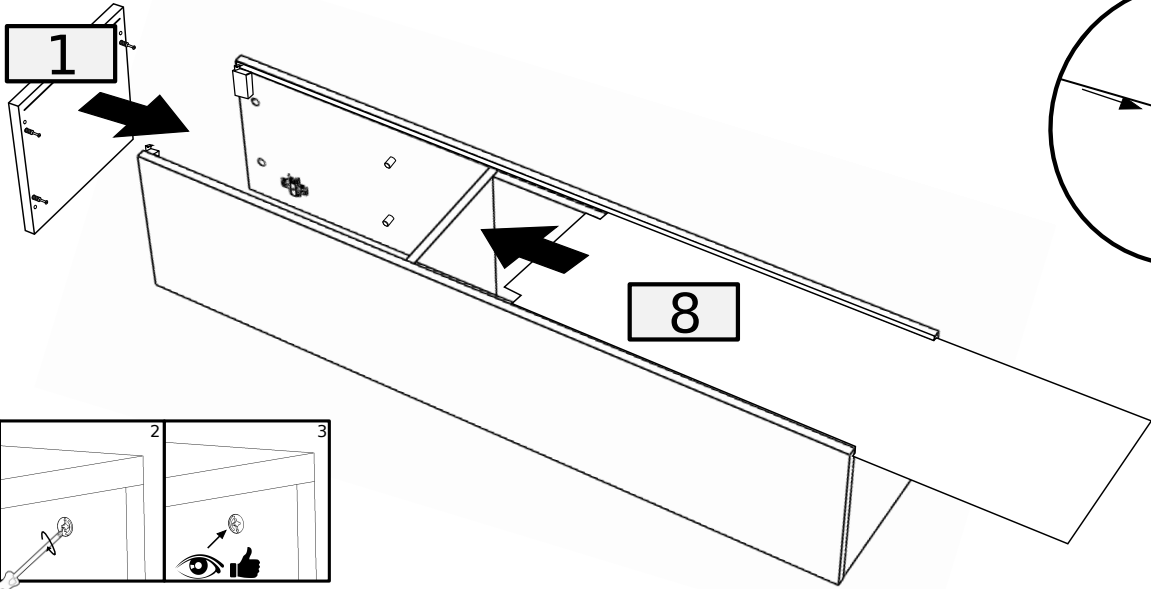
8



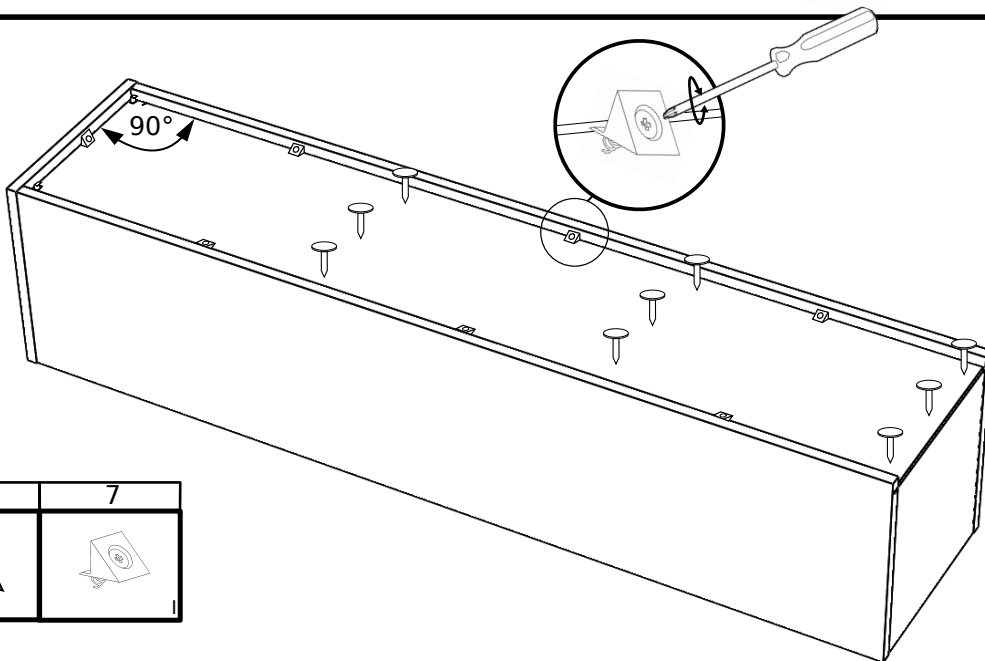
9



10

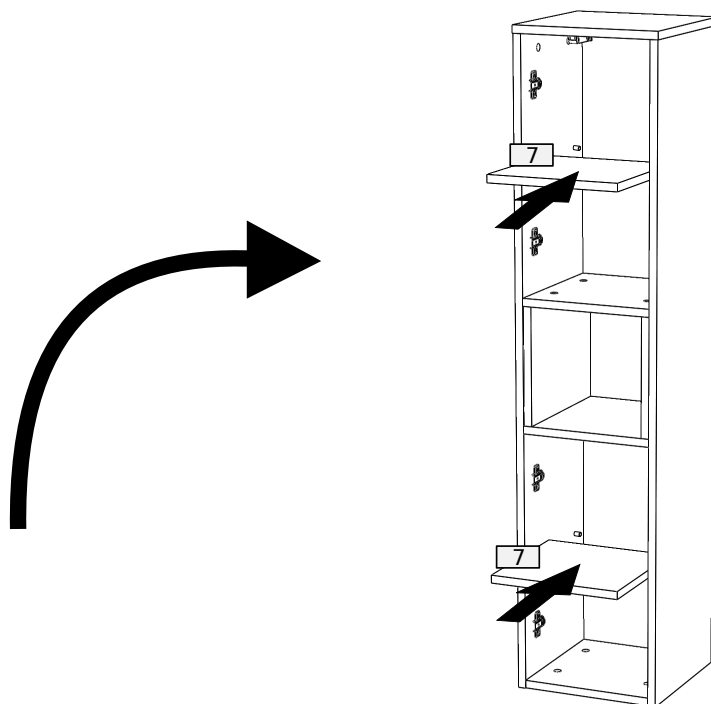


11



9	7
G	I

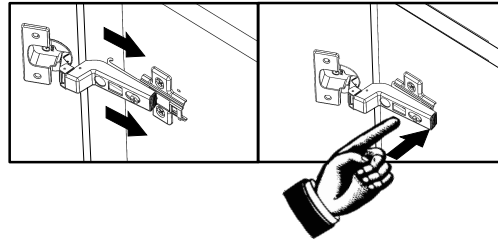
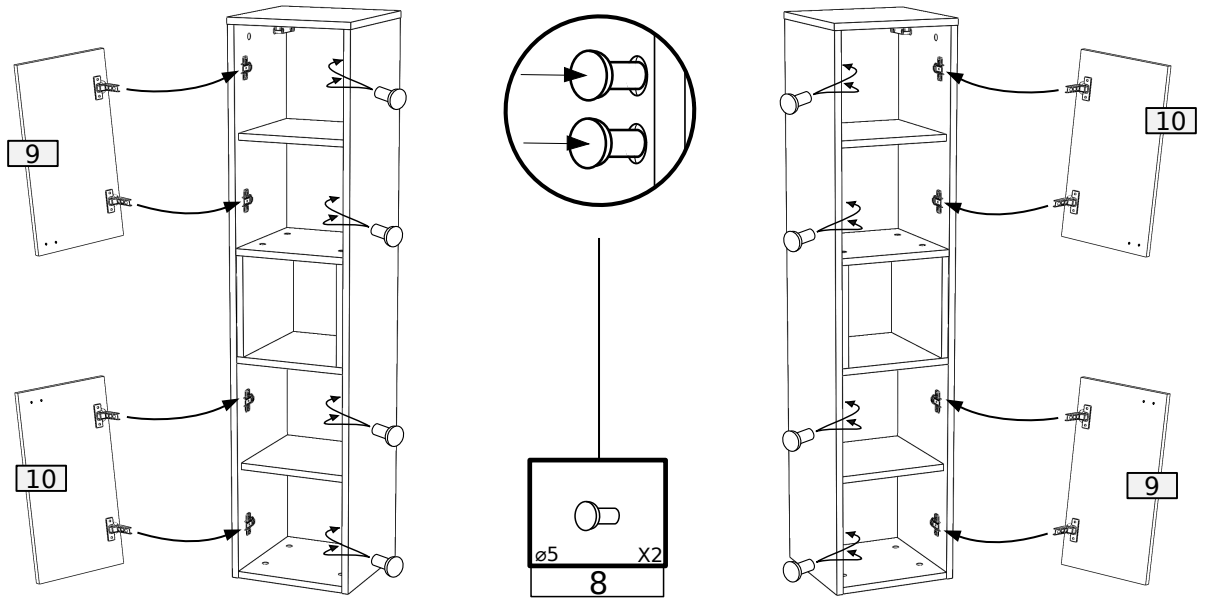
12



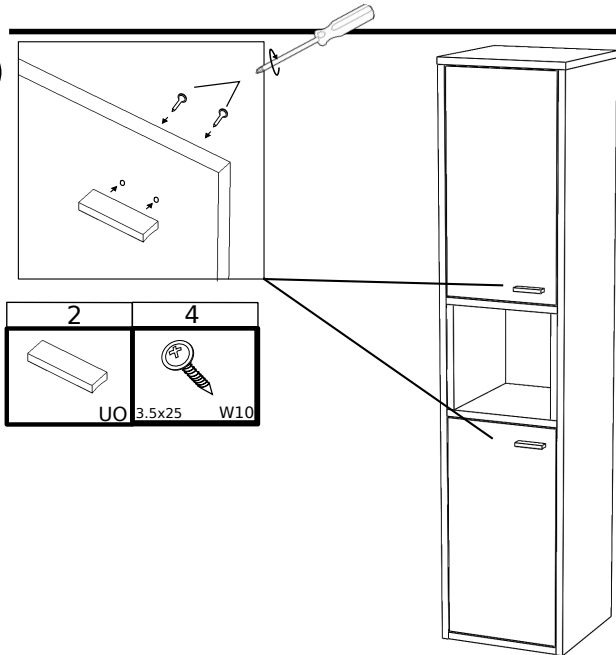
13

"A"

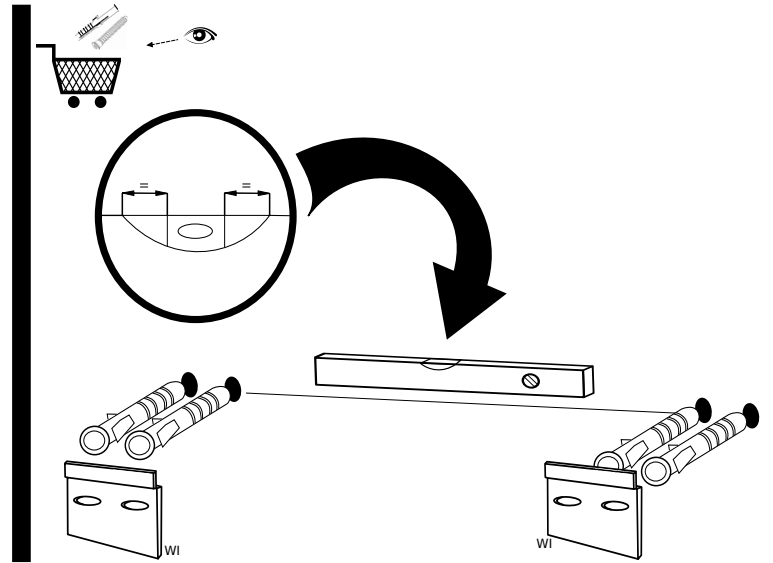
"B"



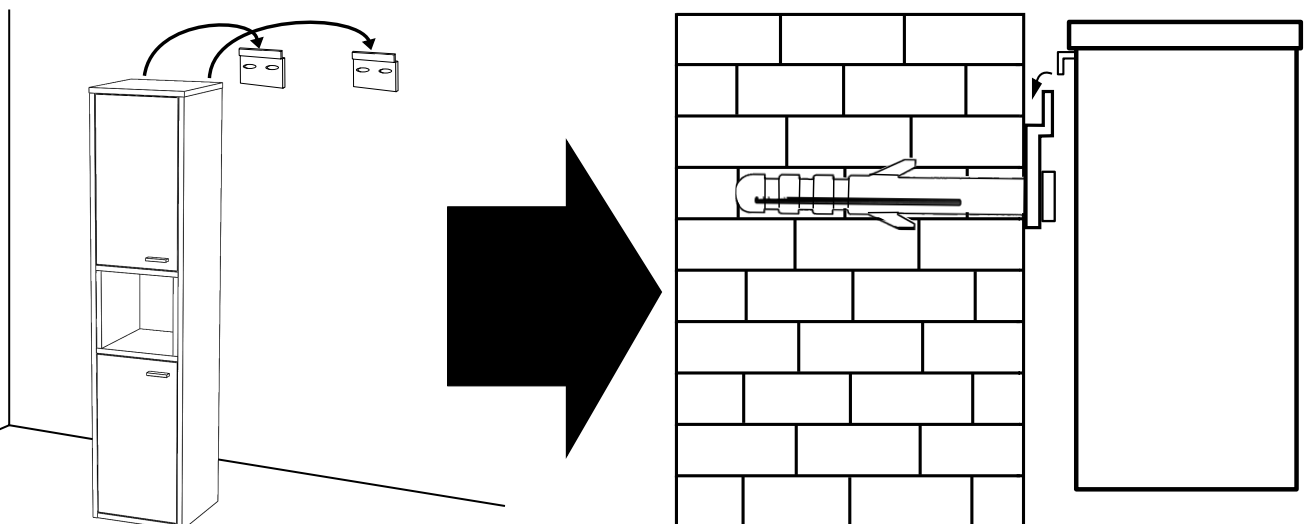
14



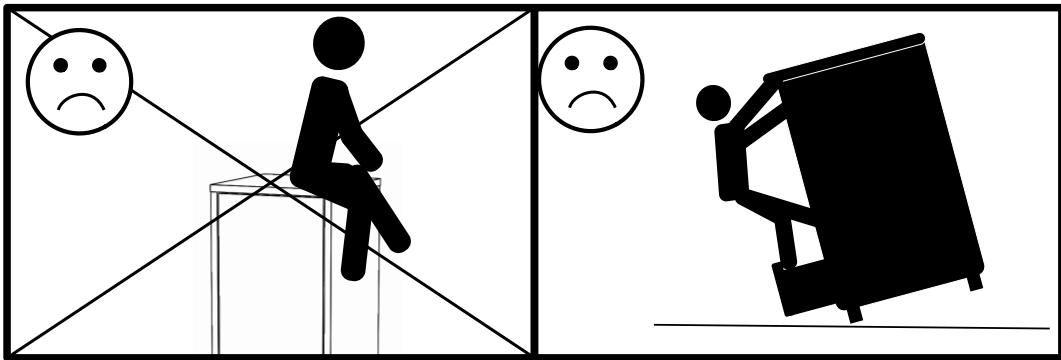
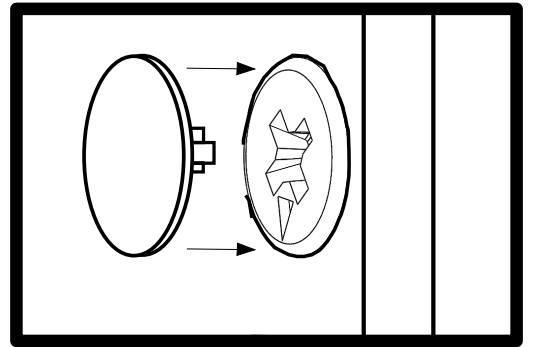
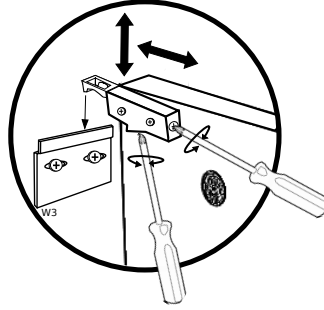
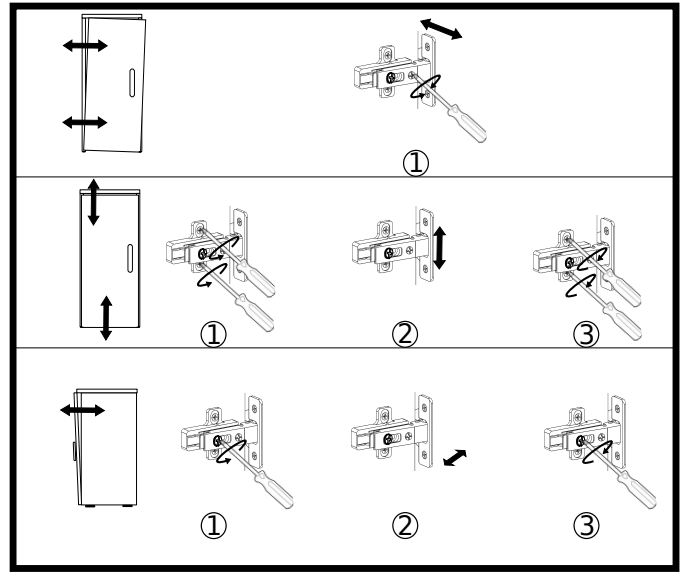
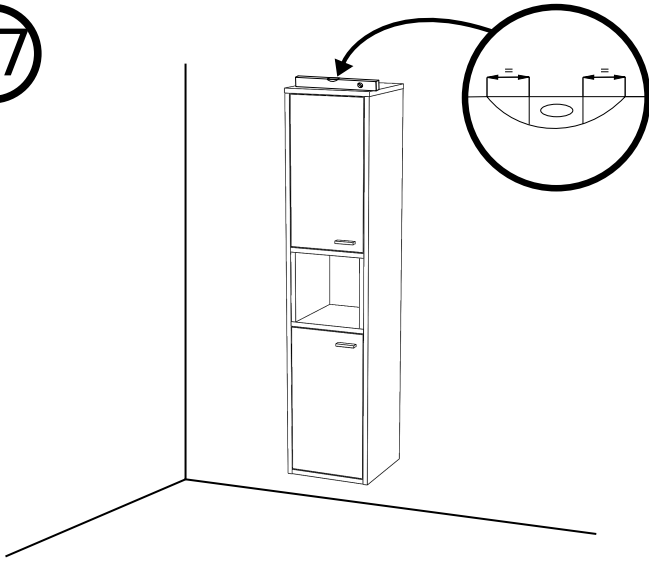
15

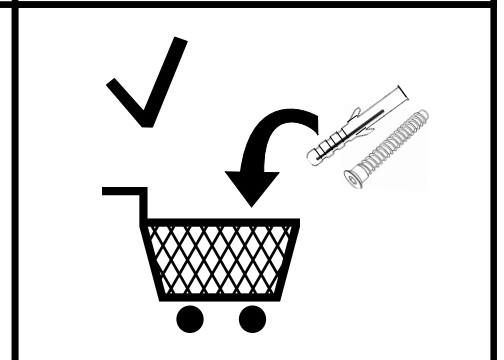
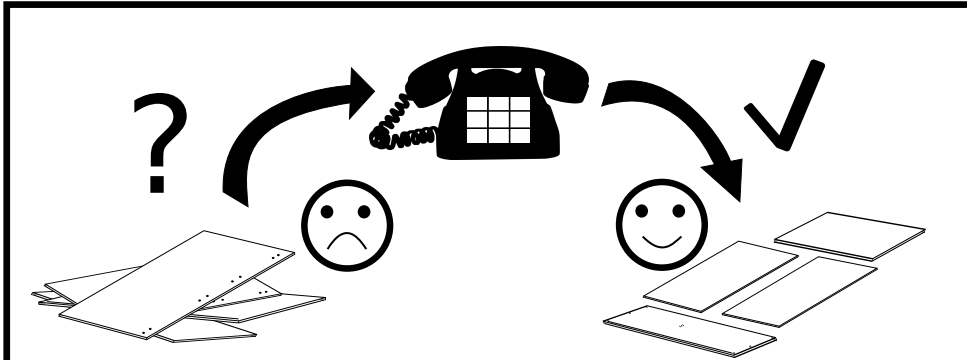
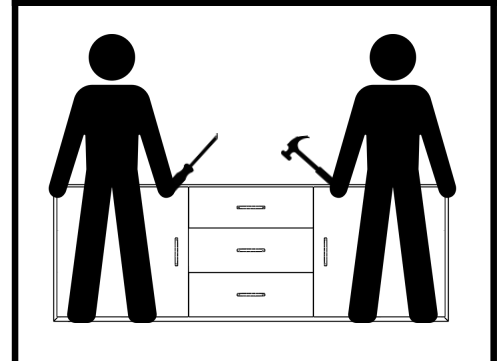
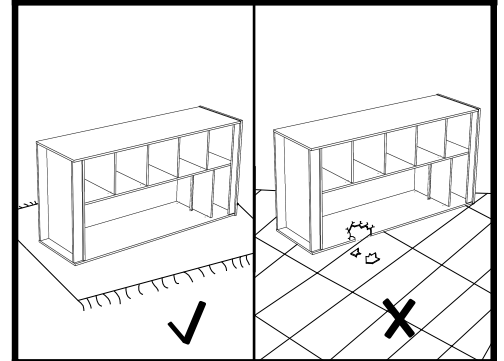
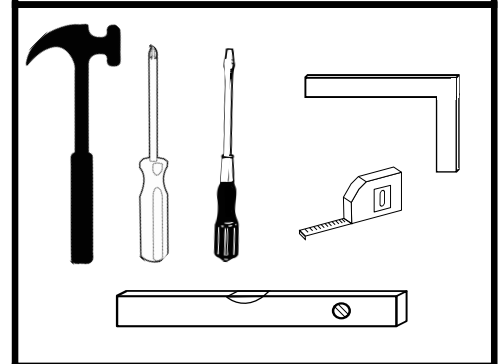
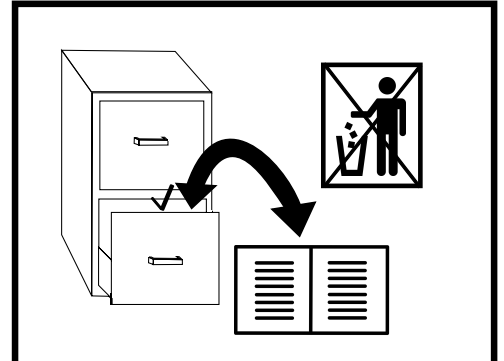
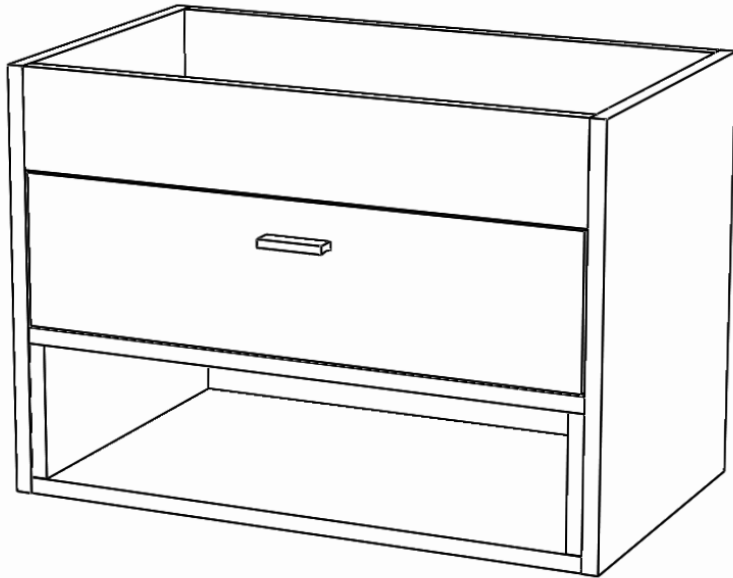
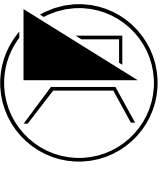


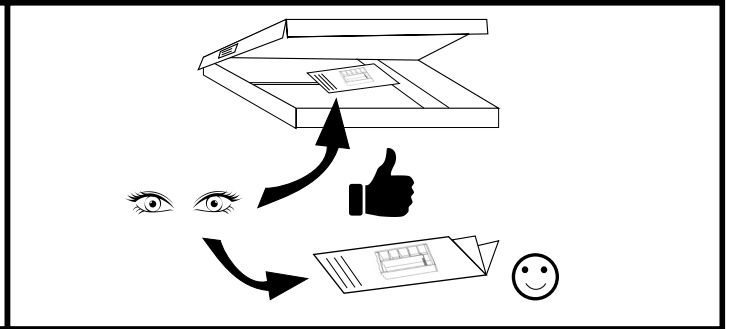
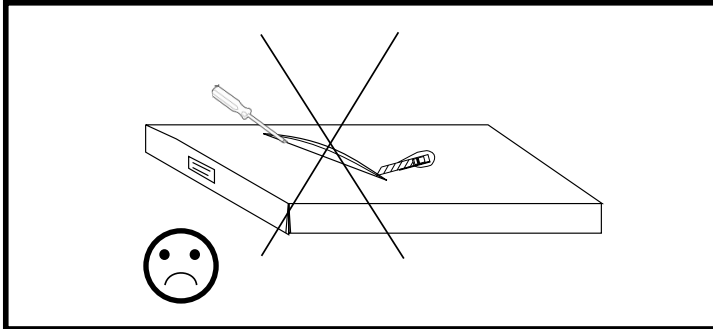
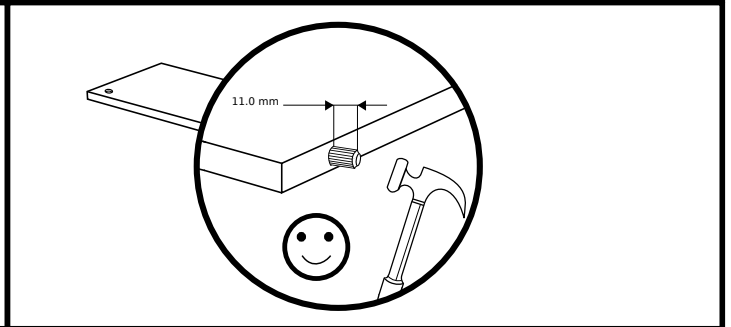
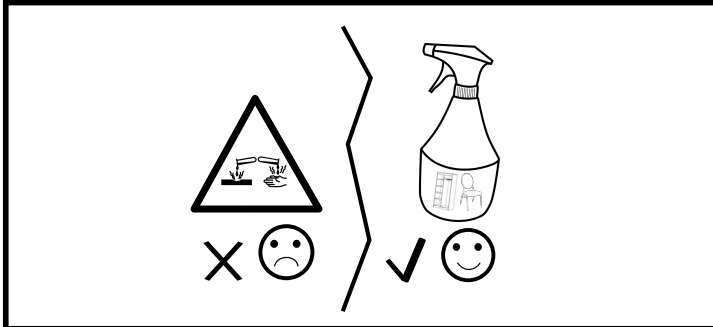
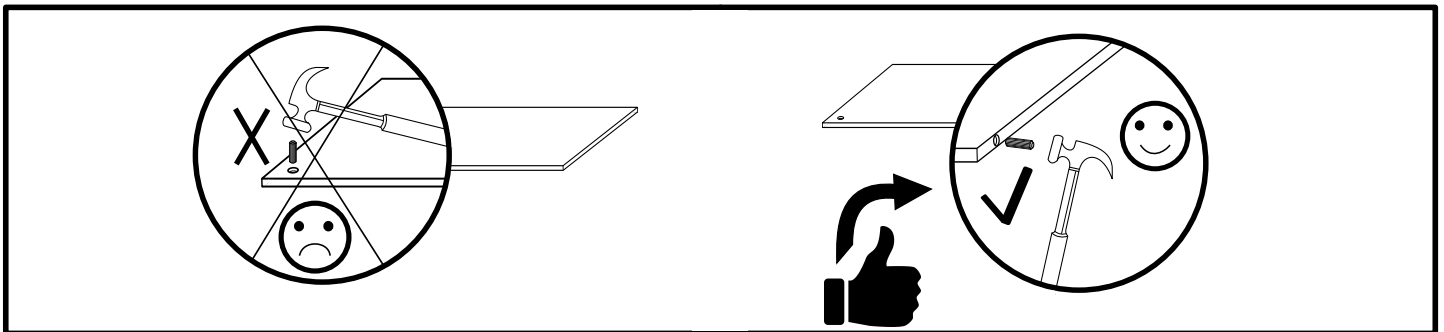
16



17

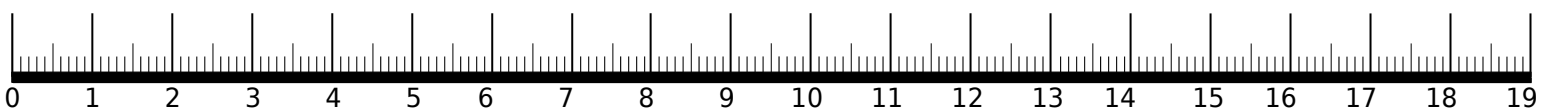
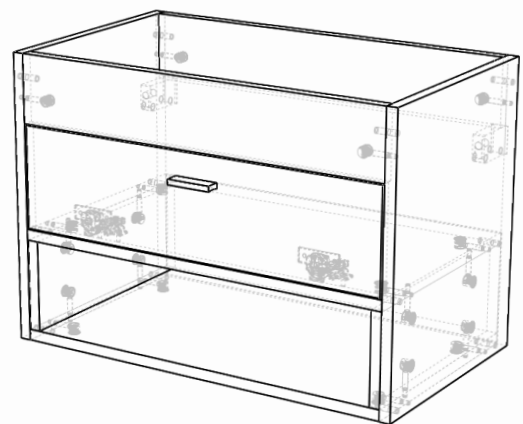


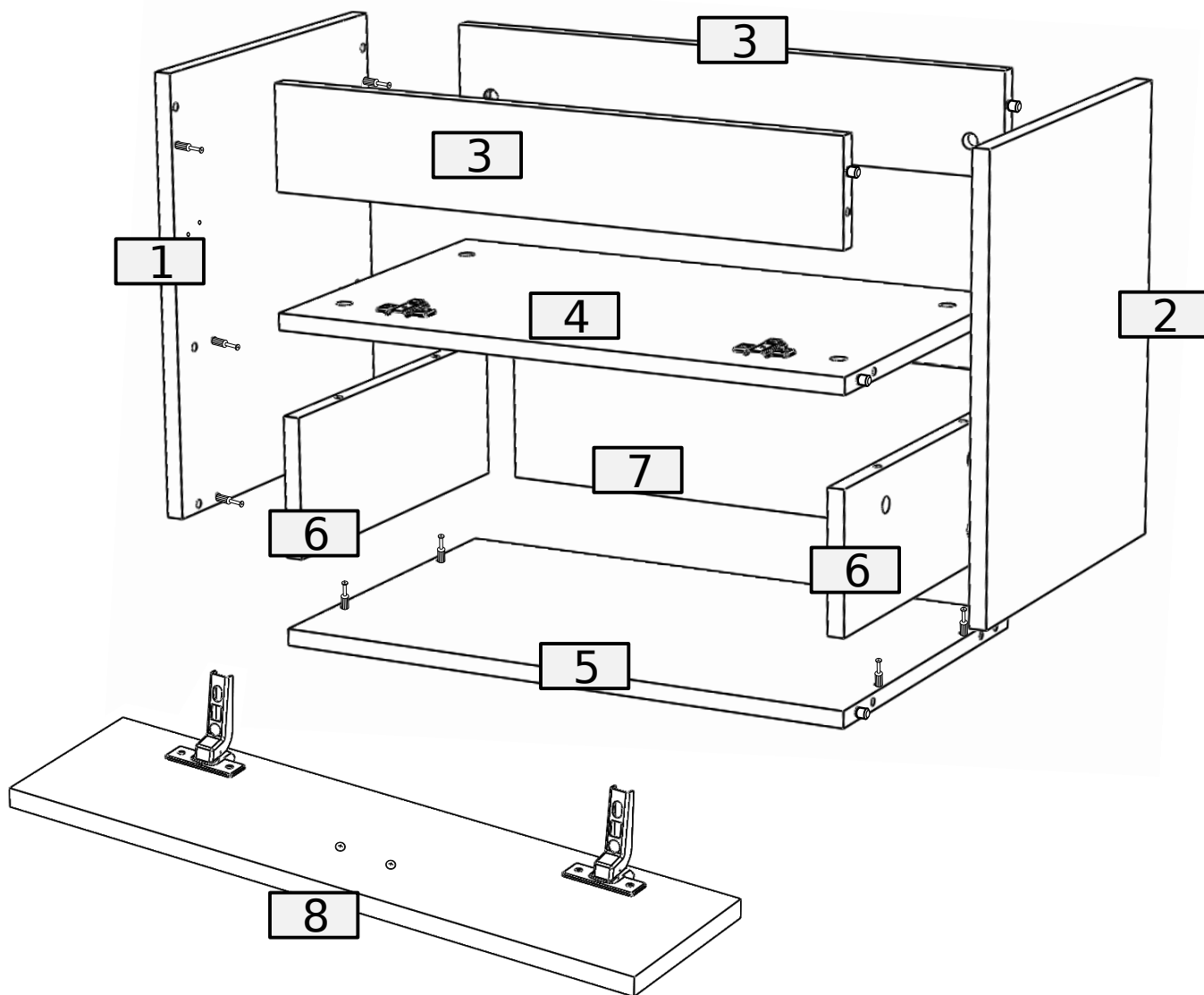




20	20	12	2
B	A	8.0x35	D
X	Z	3.5x16	W2 G
8	2	9	10

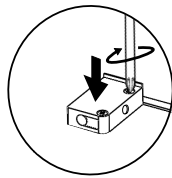
1	2	1	2
R	3.5x25	W10	UO
LT	RT	W	4.0x30
W	W	W8	S4
1	1	4	1



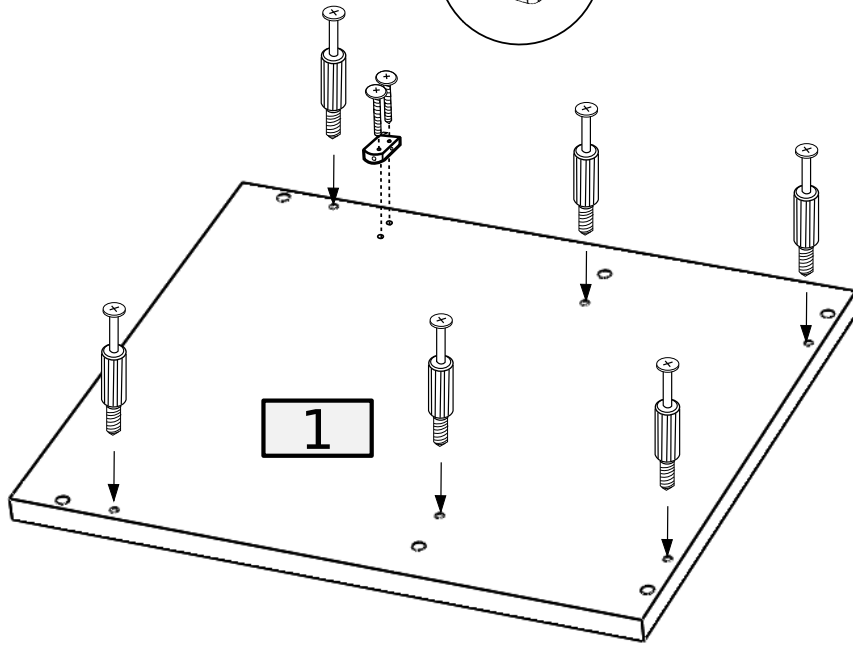


No.	Pcs.	L	W	D	Pac
1	1	450	350	16	1/1
2	1	450	350	16	1/1
3	2	568	100	16	1/1
4	1	568	346	16	1/1
5	1	568	346	16	1/1
6	2	345	134	16	1/1
7	1	567	165	3	1/1
8	1	562	178	16	1/1

①

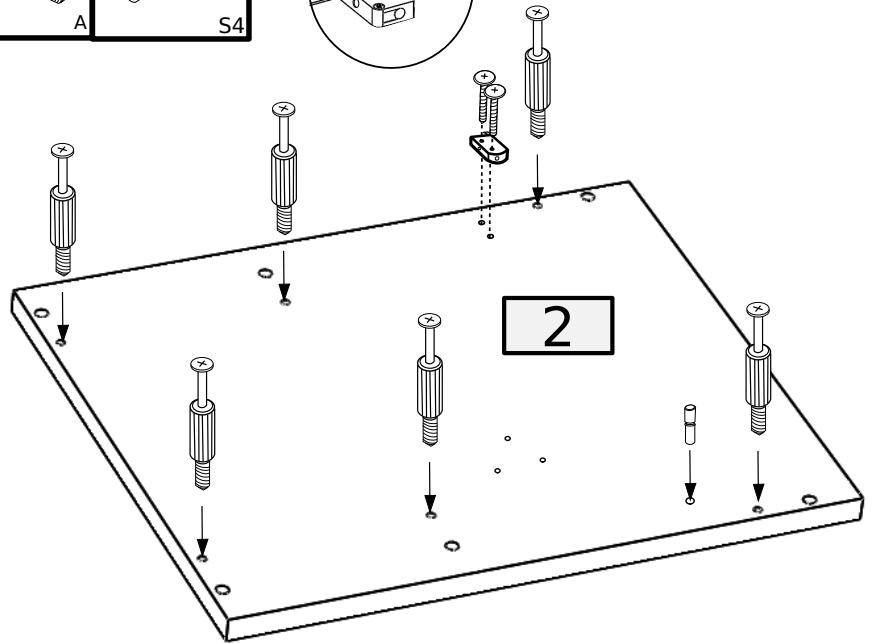
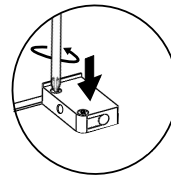


1	2	6
LT	W 4.0x30 W8	A



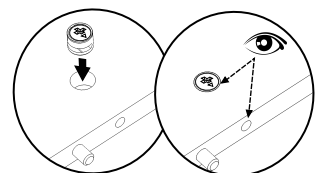
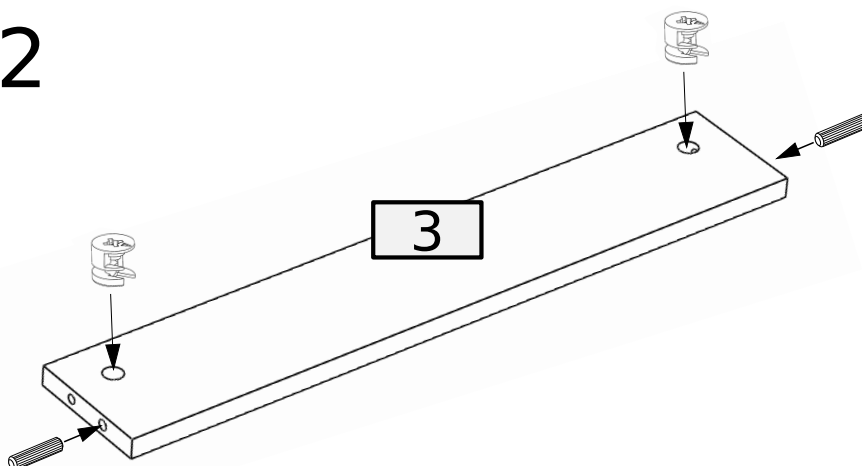
②

1	2	6	1
RT	W 4.0x30 W8	A	S4

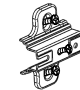
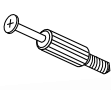




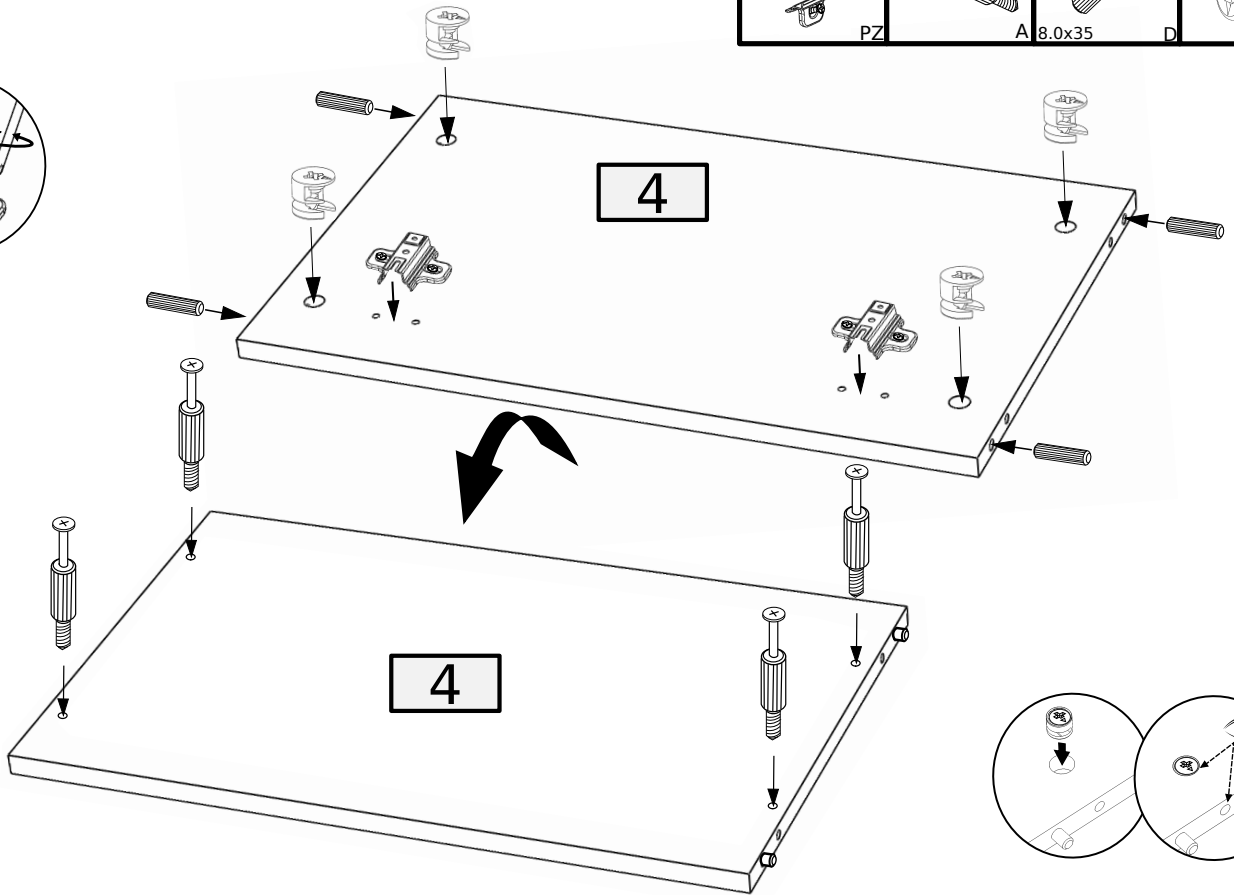
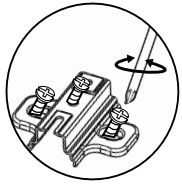
③ x2

2	2
8.0x35 D	B

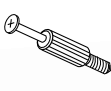




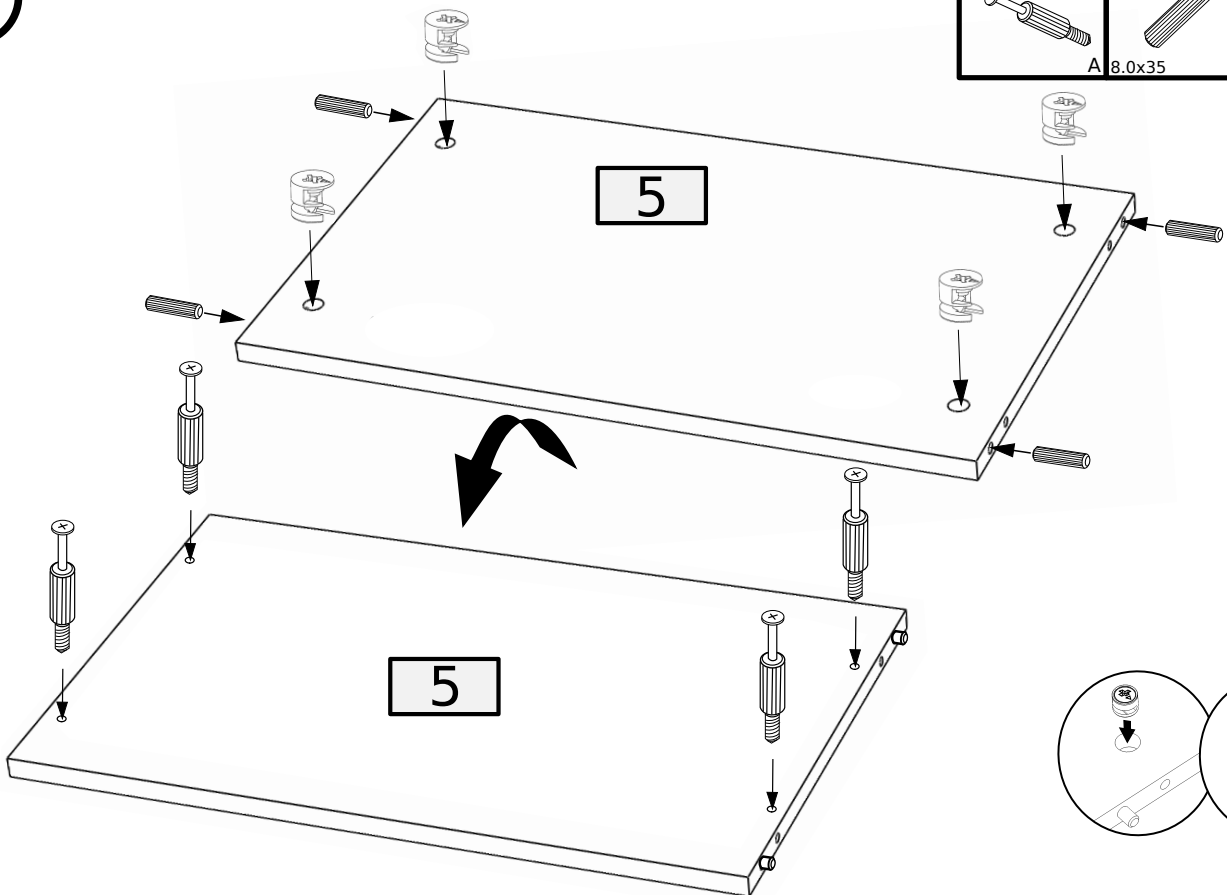
4

2	4	4	4
			
PZ	A	8.0x35	D
			B

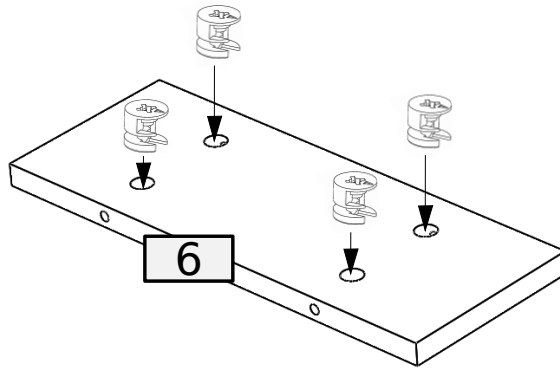
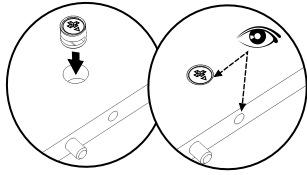
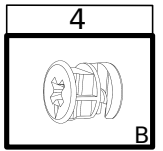


5

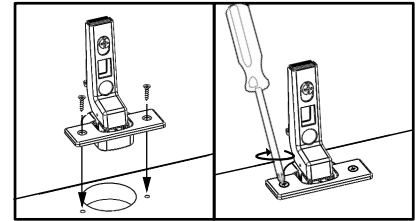
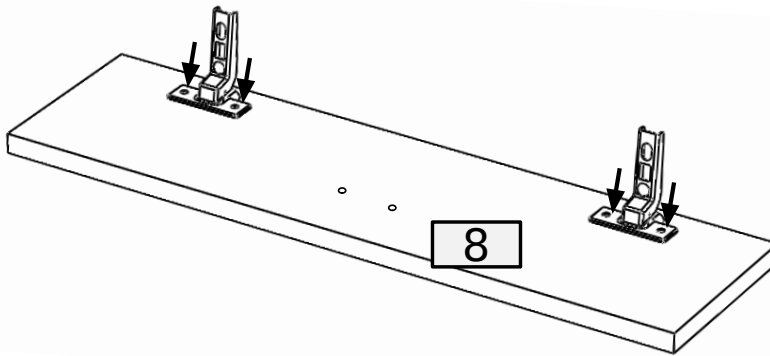
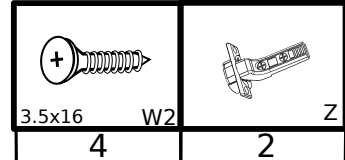
4	4	4
		
A	8.0x35	D
		B



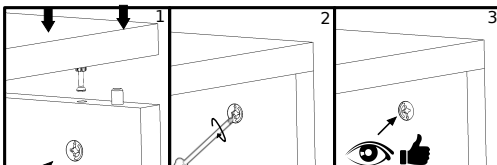
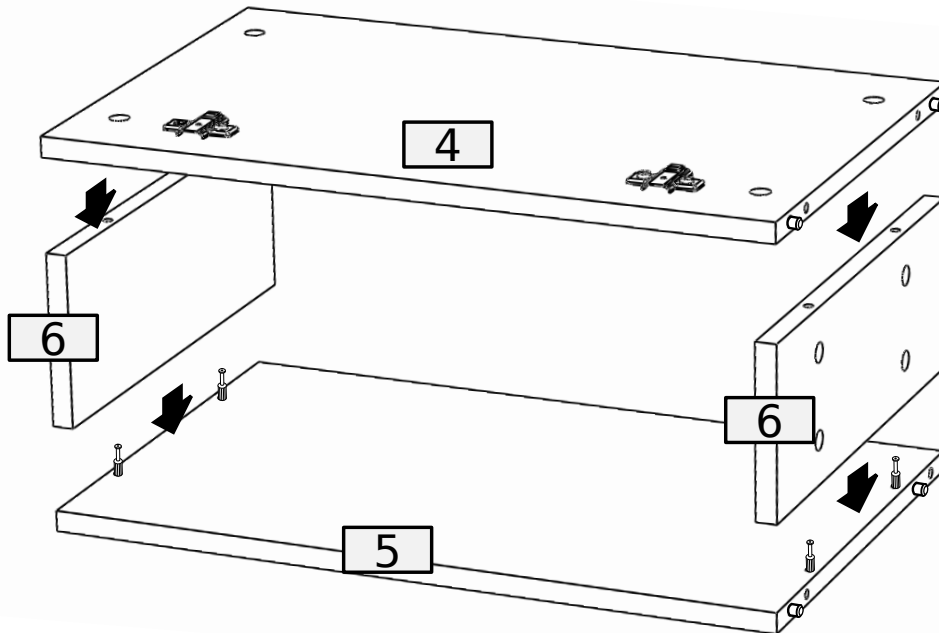
⑥ x2



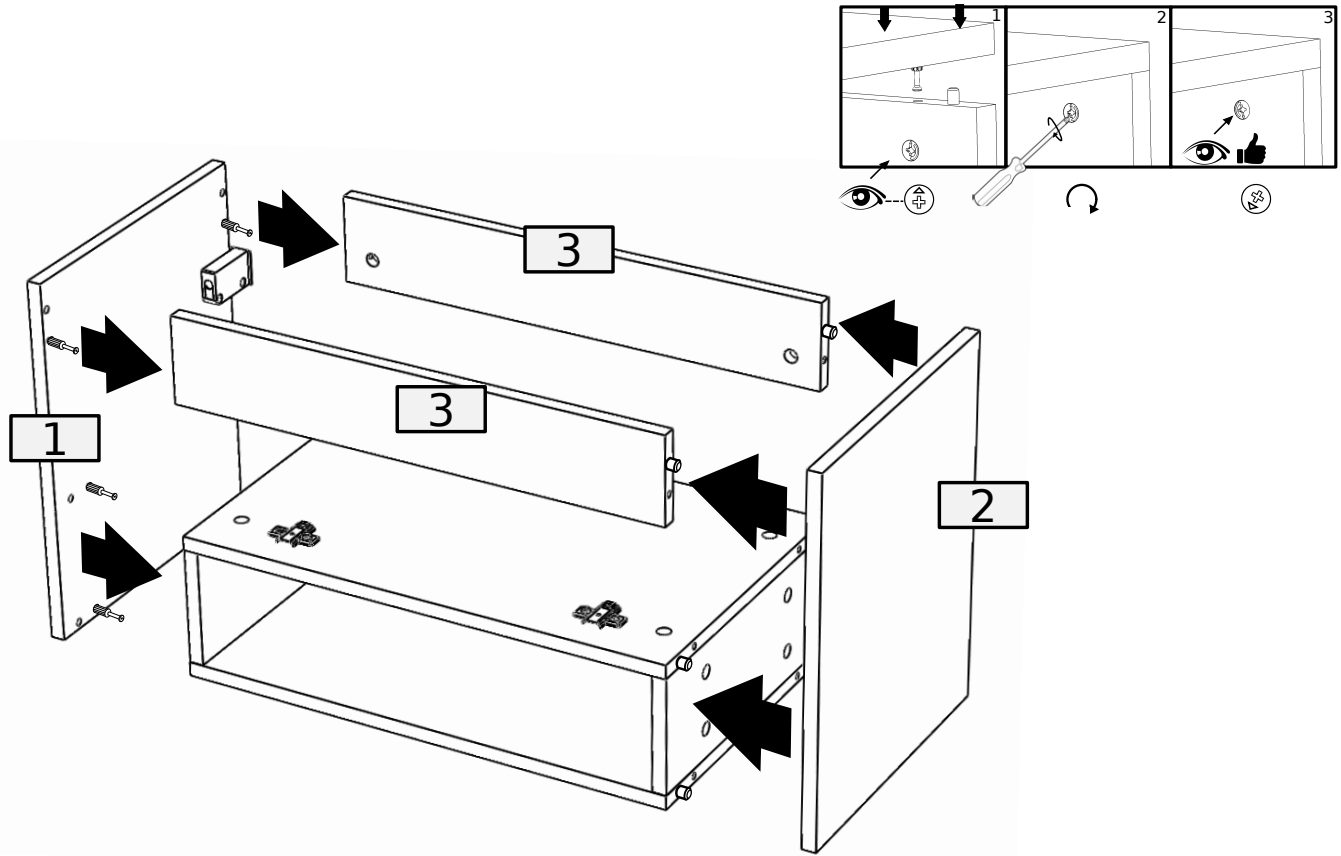
⑦



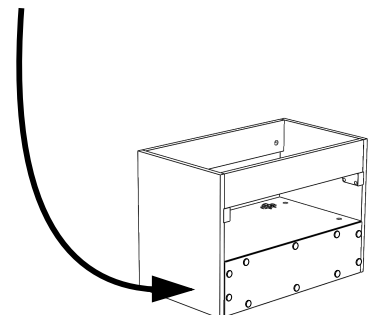
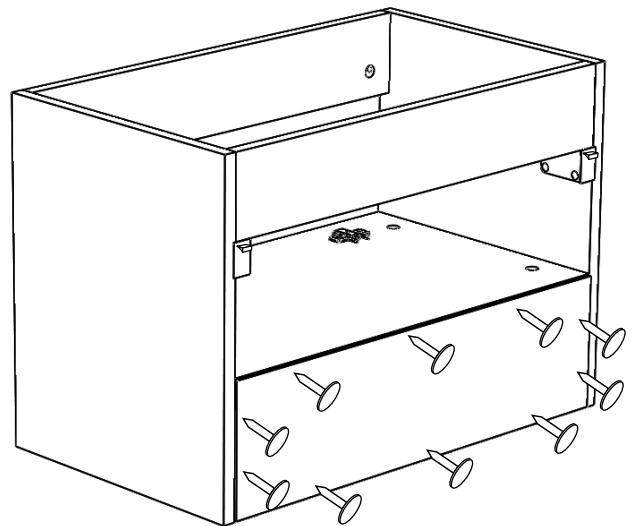
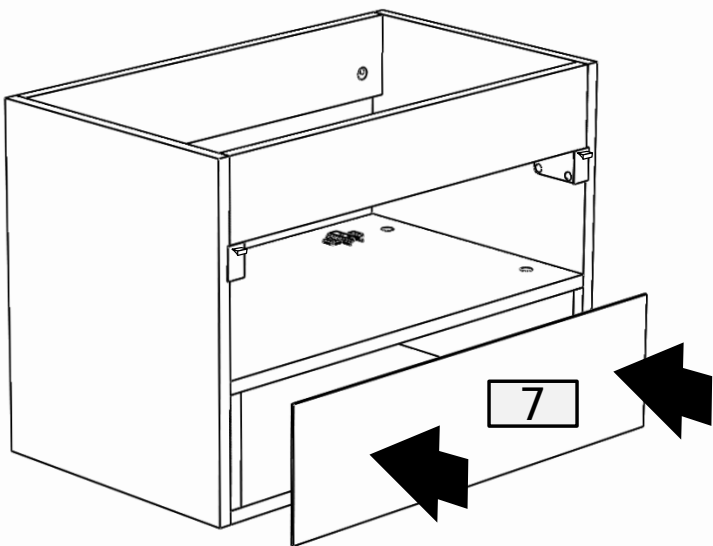
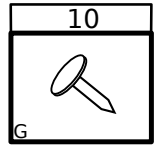
⑧



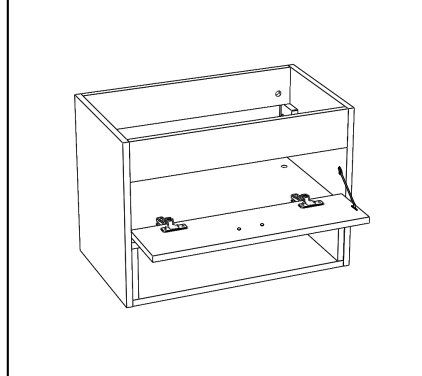
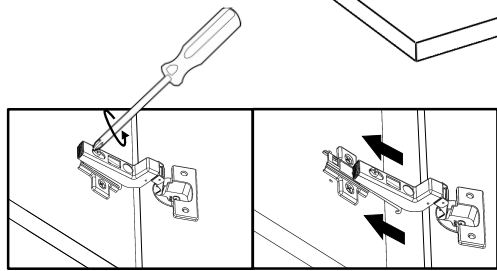
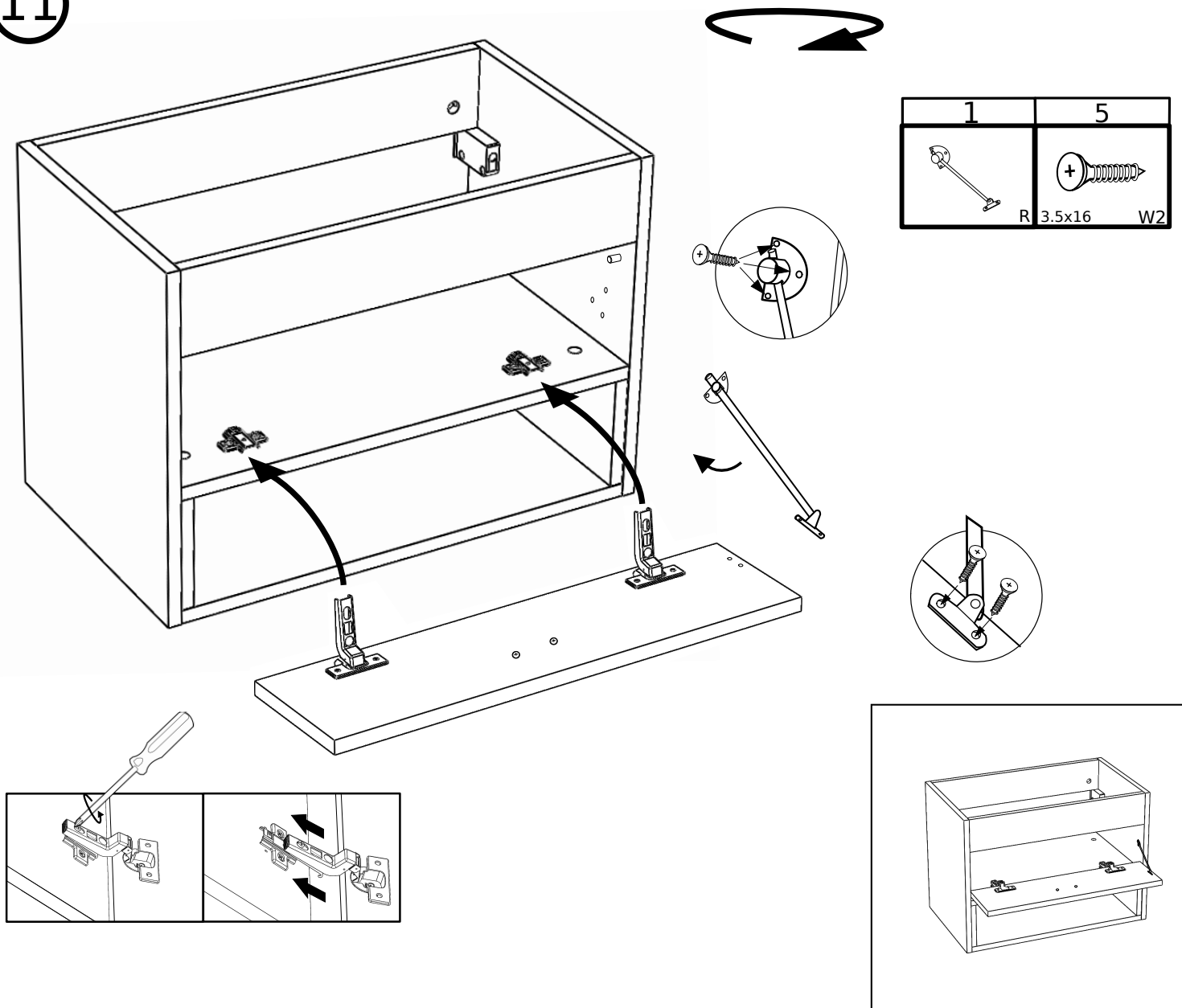
9



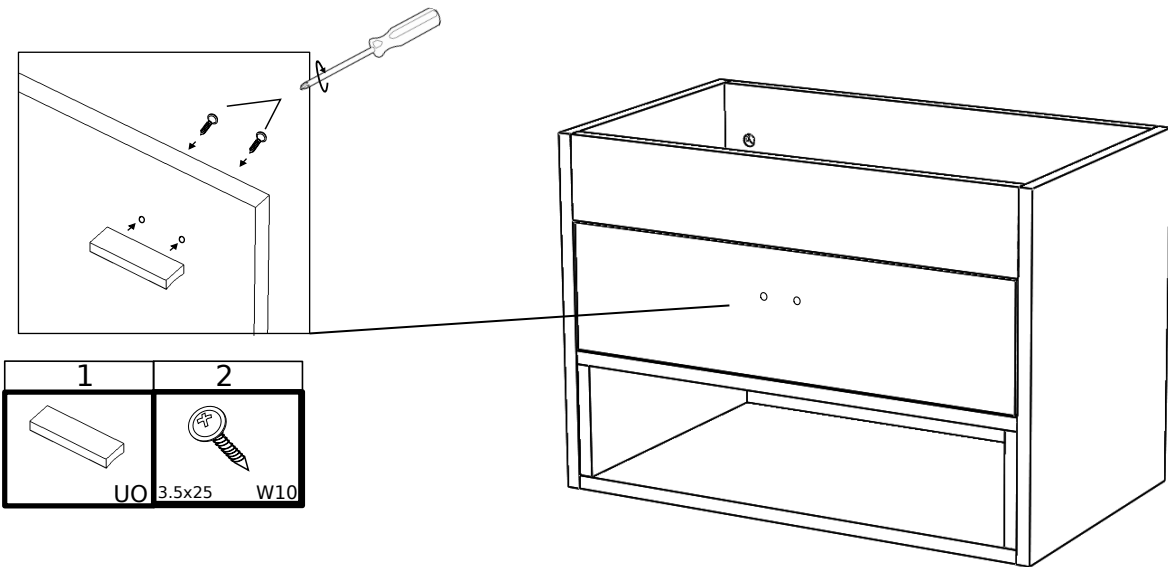
10

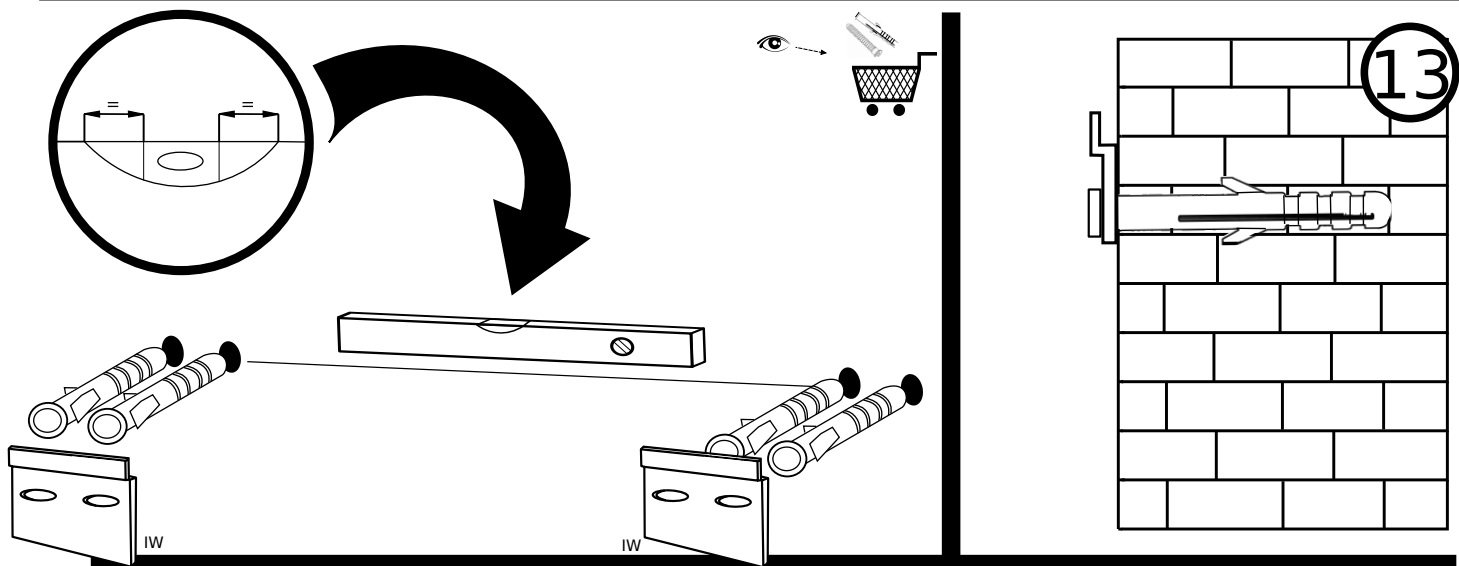


11

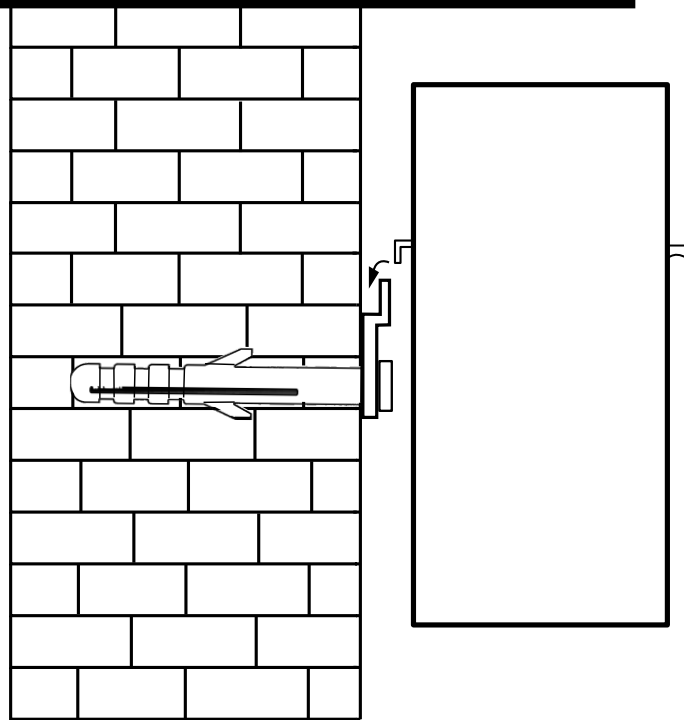
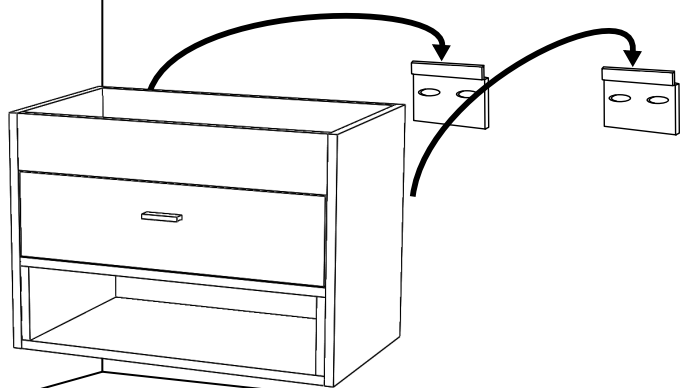


12

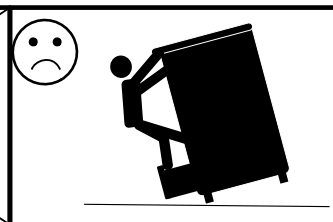
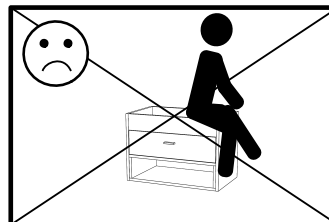
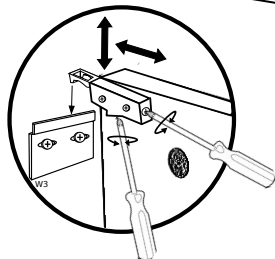
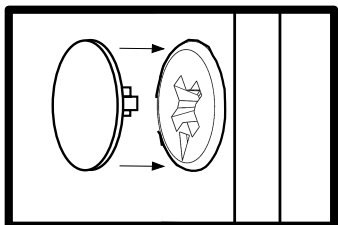
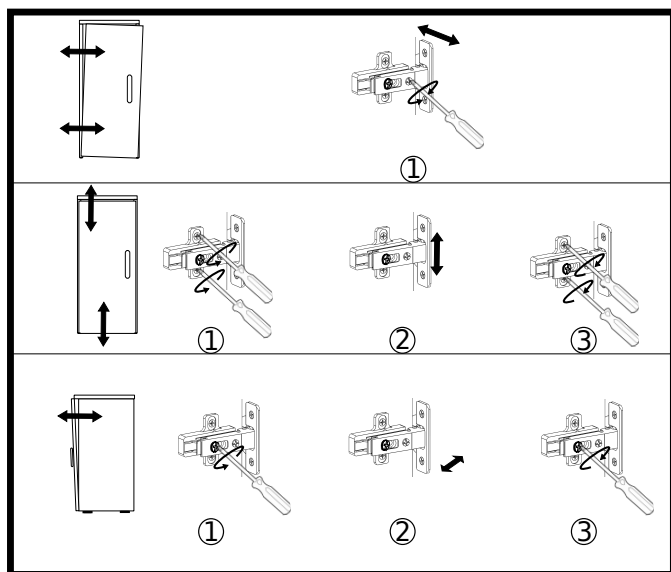
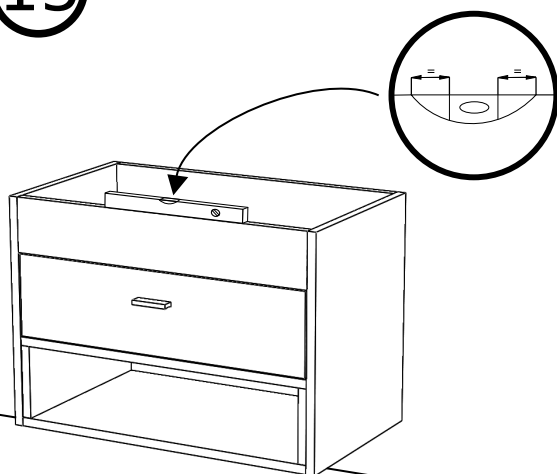




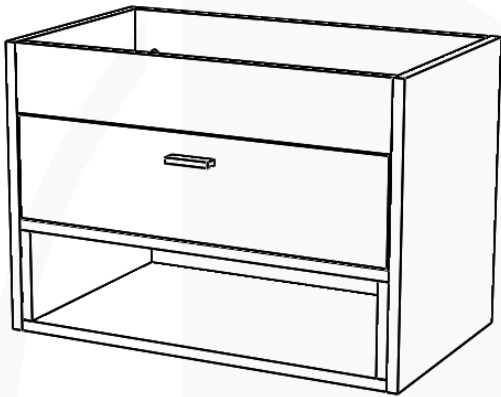
14



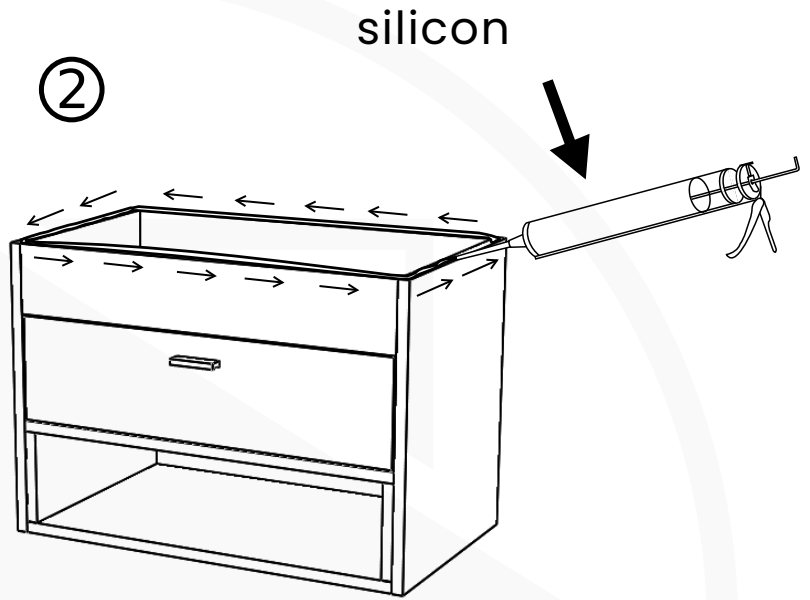
15



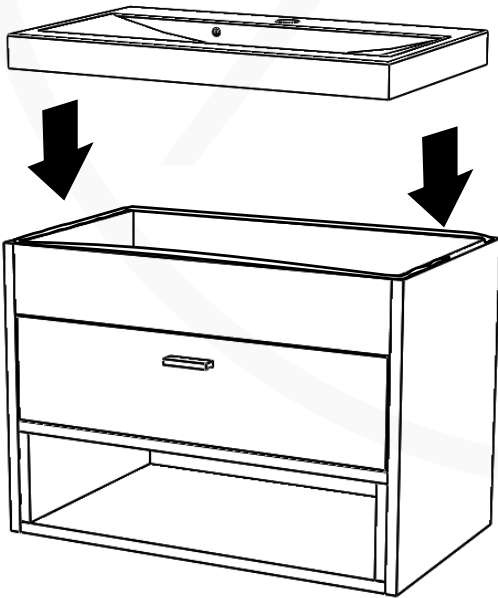
①



②



③



④

