
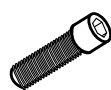

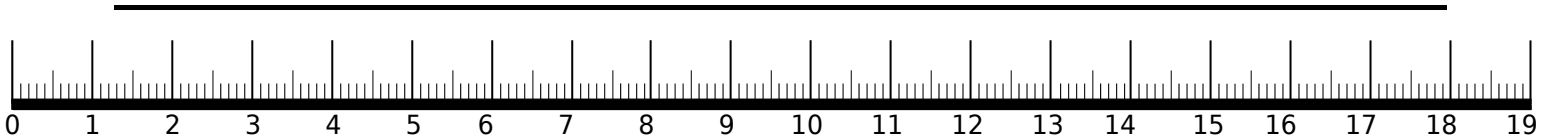
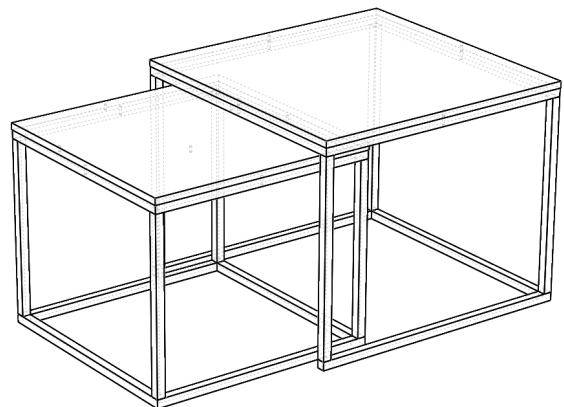
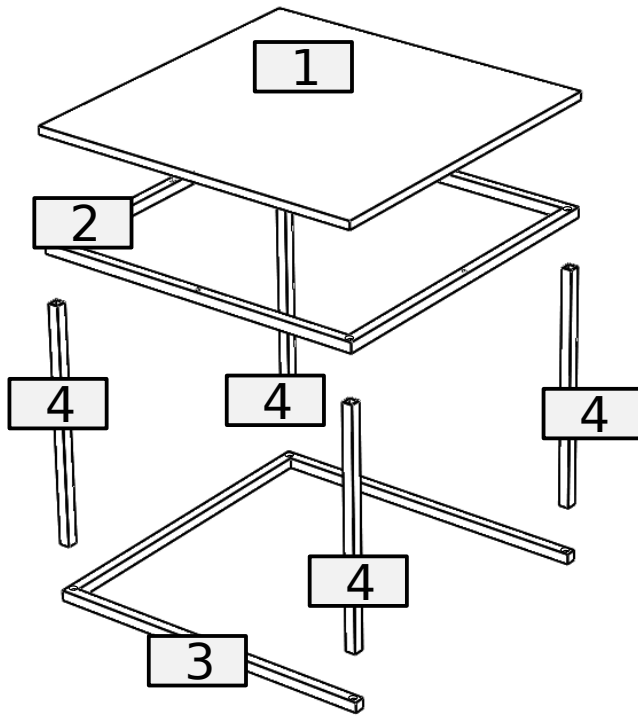

G4	4.0x16 W12
8	8

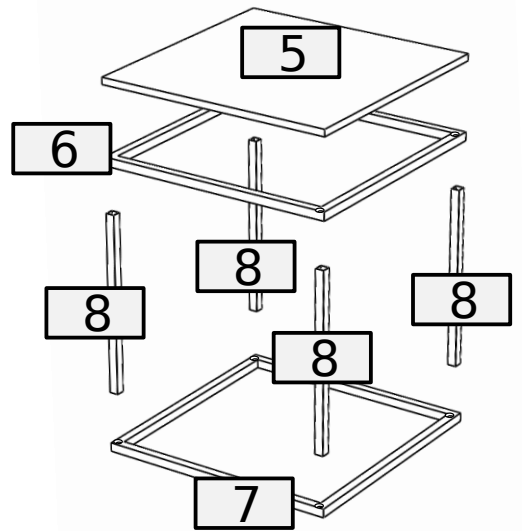
		
U1	US	ZS
1	16	8



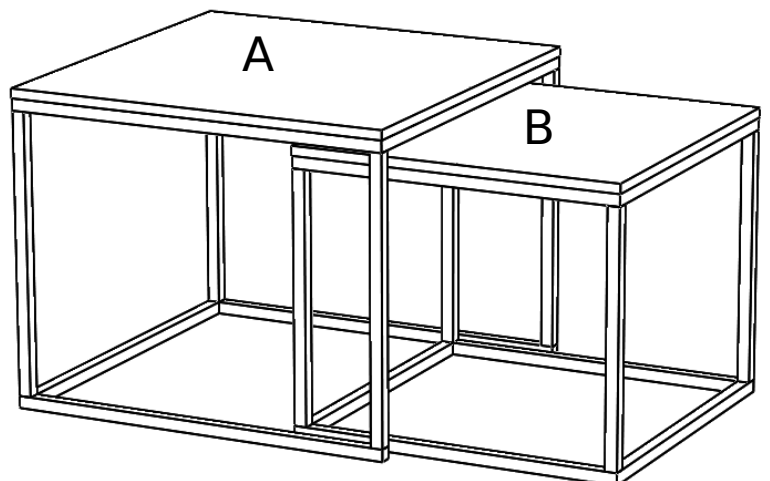
A



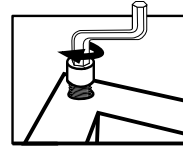
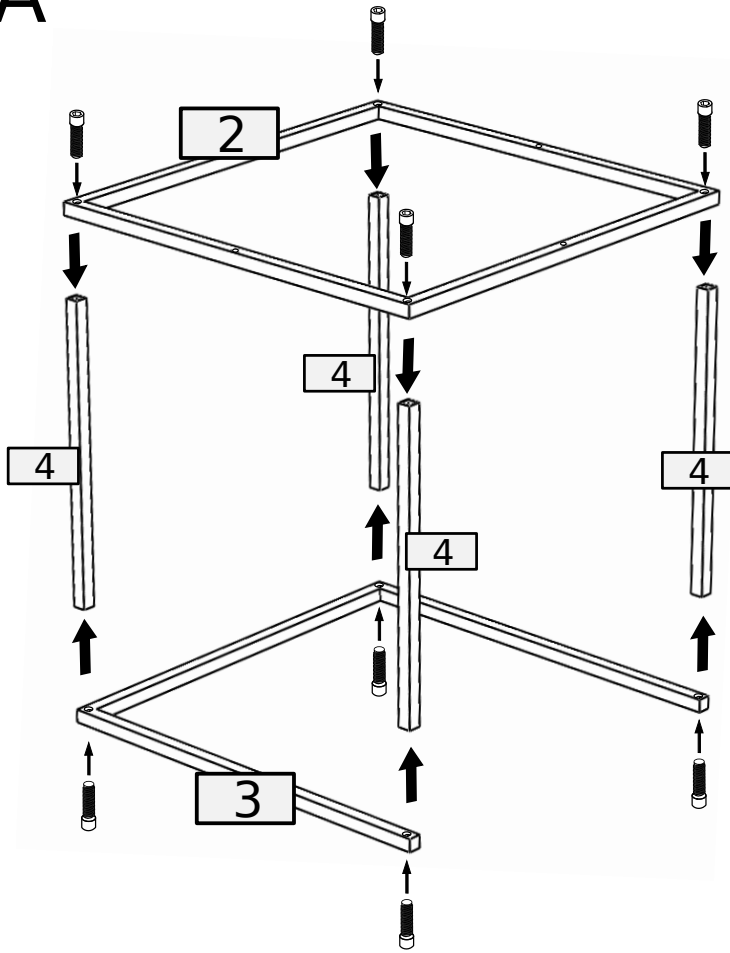
B



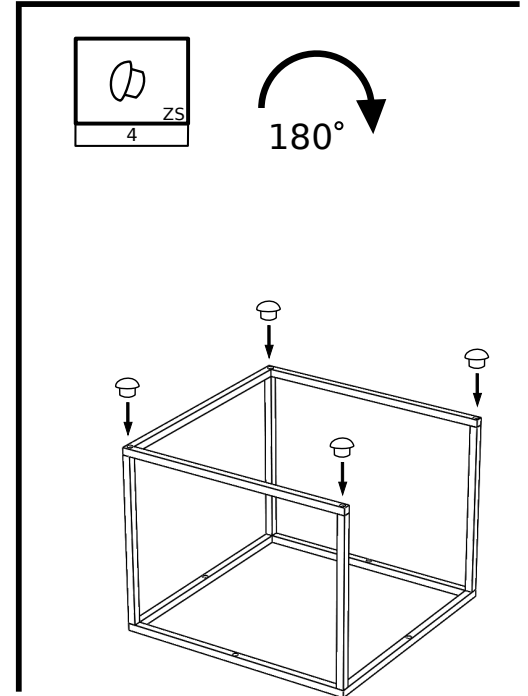
No.	Pcs.	L	W	D	Pac
1	1	650	650	16	1/1
2	1	648	648	20	1/1
3	1	648	648	20	1/1
4	4	468	20	20	1/1
5	1	550	550	16	1/1
6	1	548	548	20	1/1
7	1	548	548	20	1/1
8	4	414	20	20	1/1



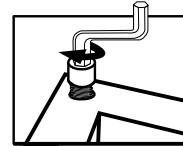
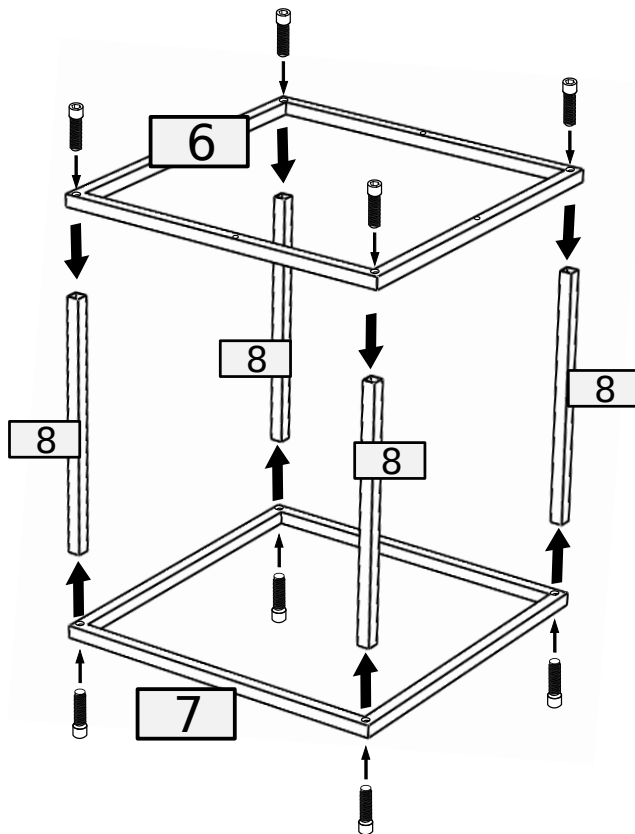
① A



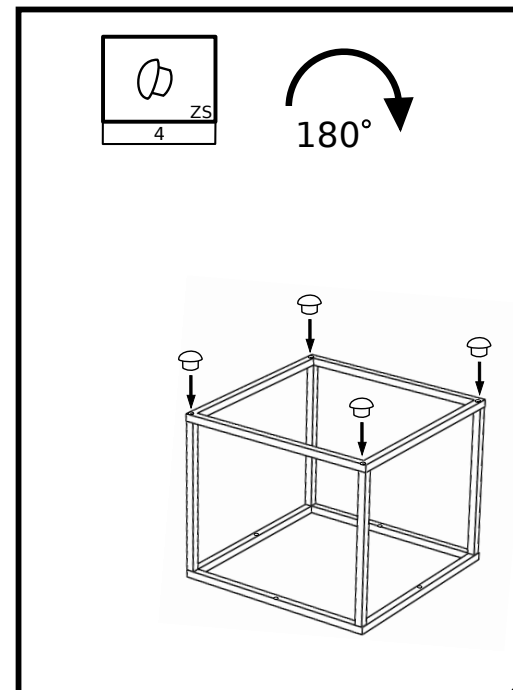
1	8
U1	US

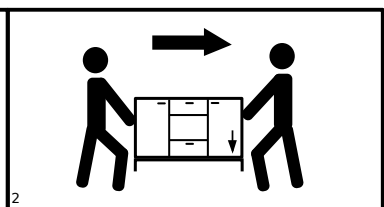
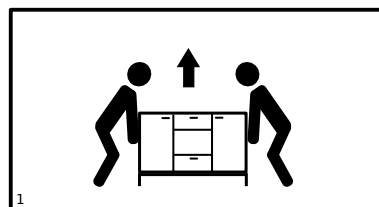
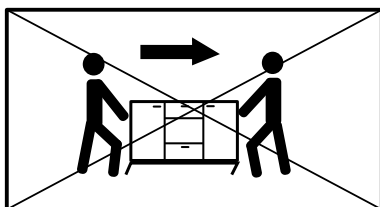
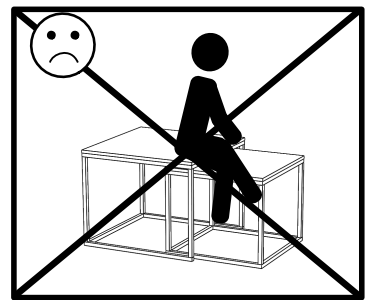
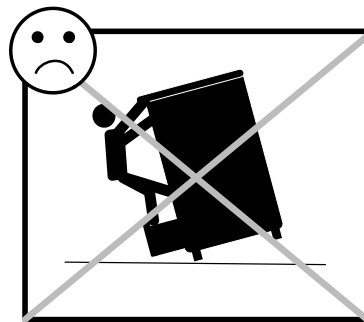
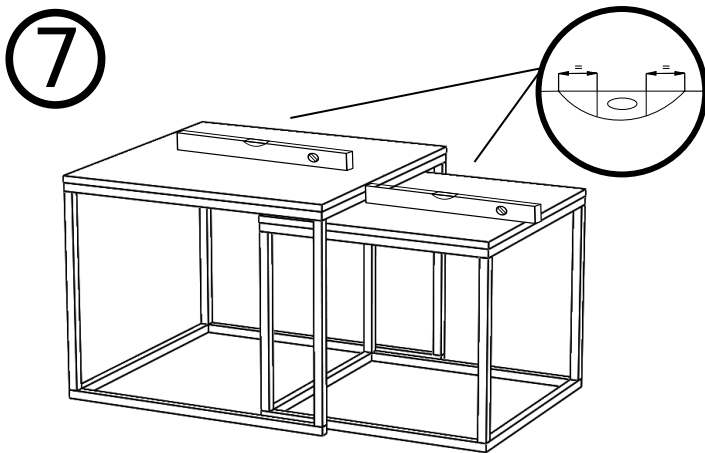
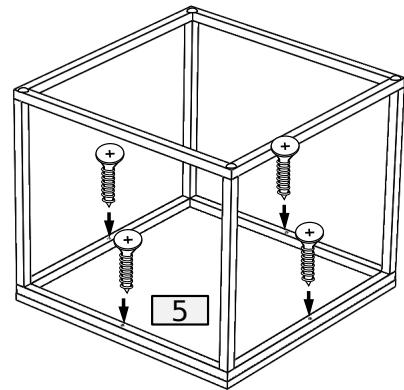
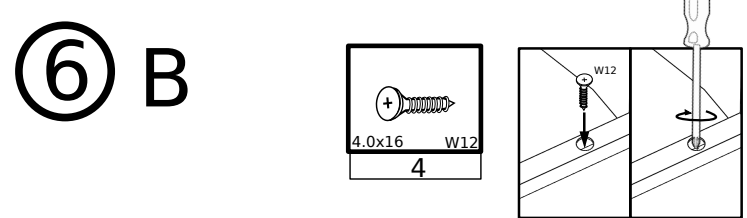
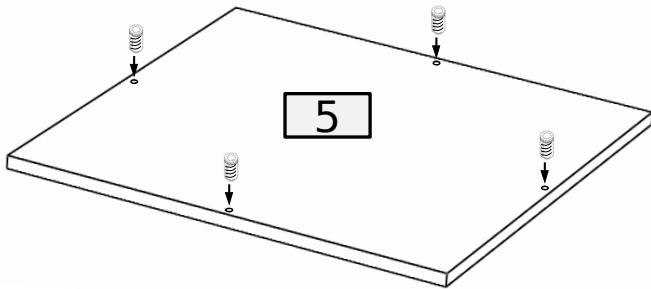
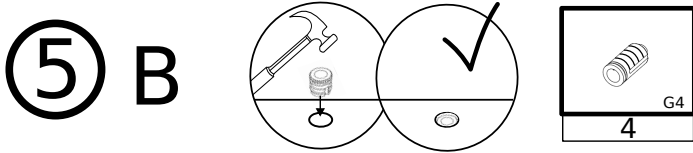
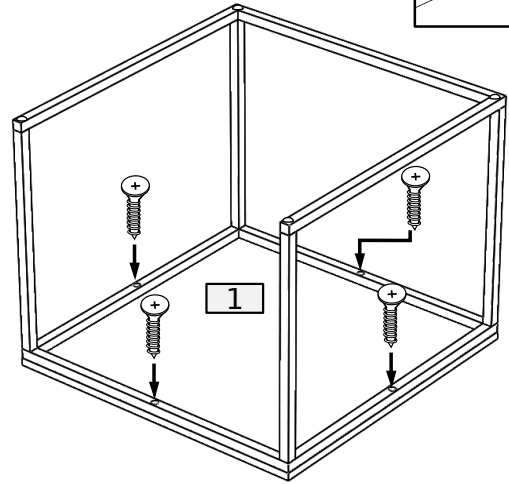
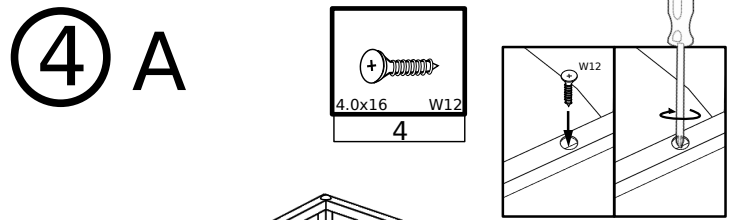
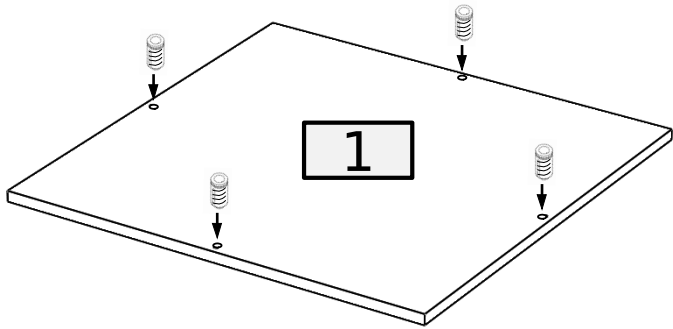
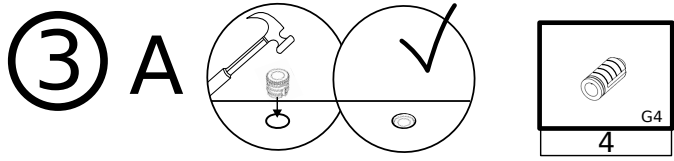


② B



1	8
U1	US





×

✓