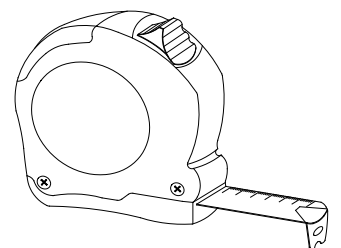
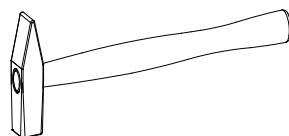
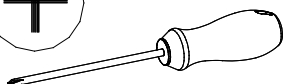
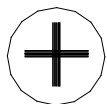
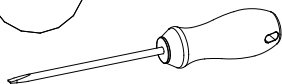
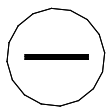
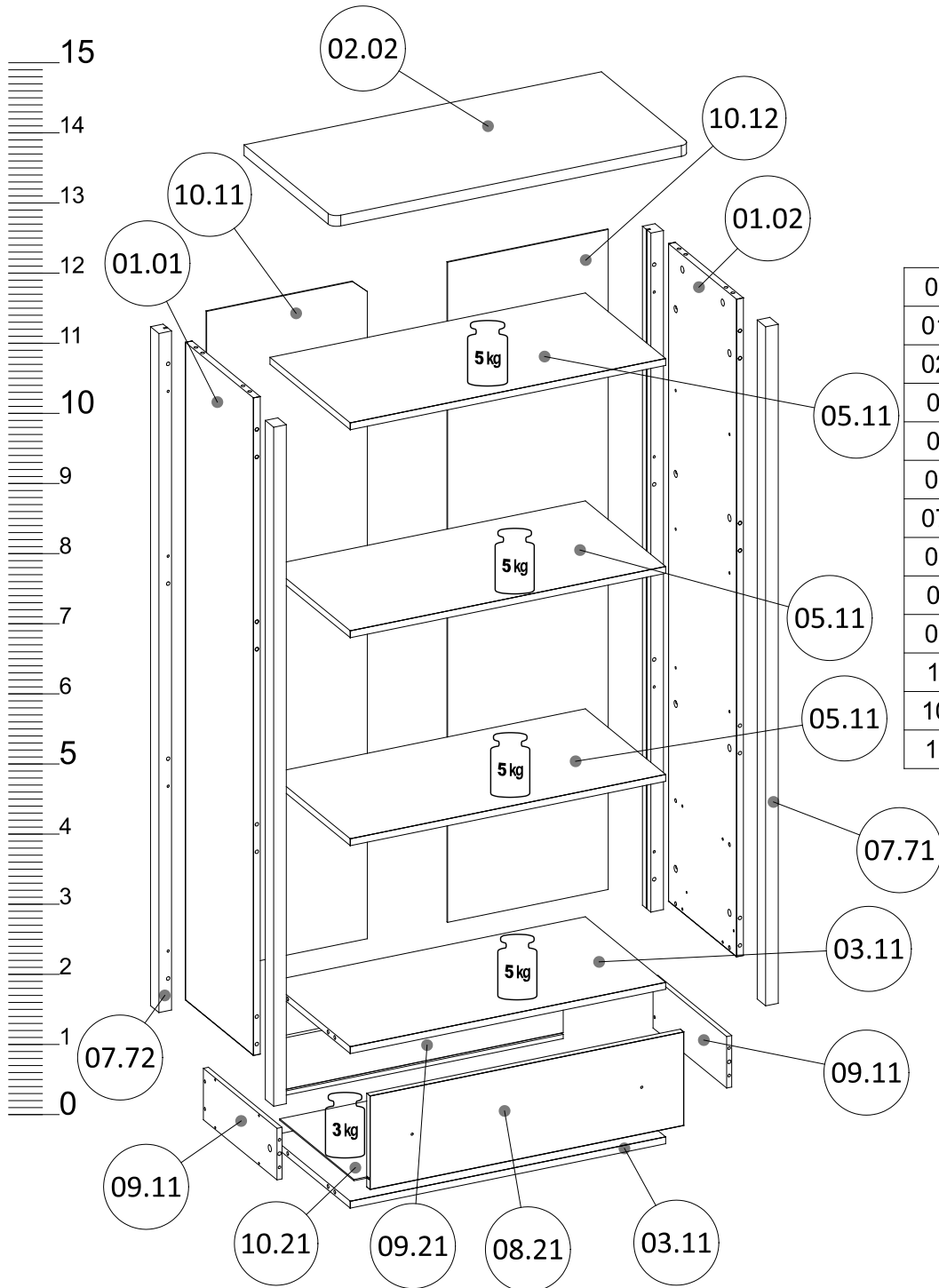


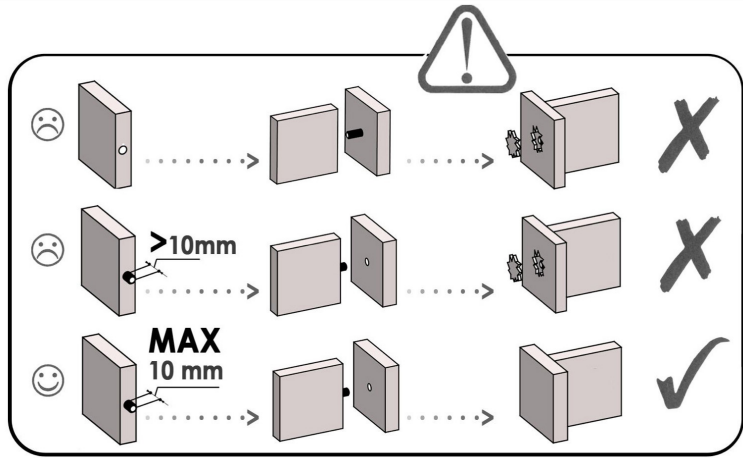
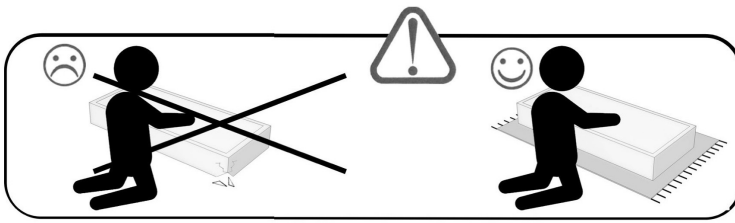
90 min



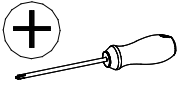
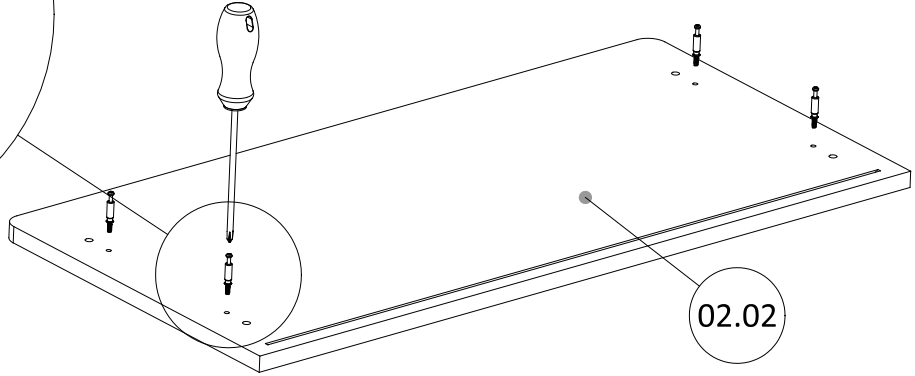
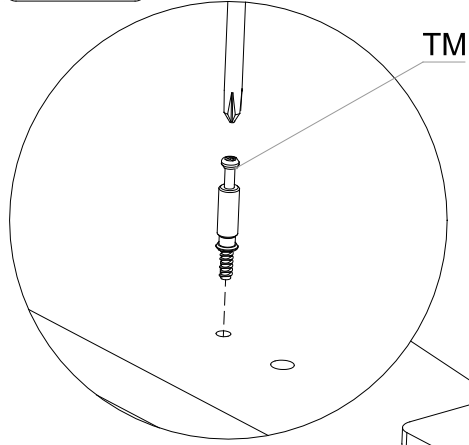
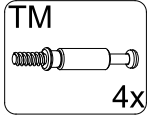


01.01	1532.0	324.0	1	1/2
01.02	1532.0	324.0	1	1/2
02.02	850.0	420.0	1	2/2
03.11	750.0	382.0	2	2/2
05.11	750.0	382.0	3	2/2
07.71	1582.0	30.0	2	1/2
07.72	1582.0	30.0	2	1/2
08.21	746.0	218.0	1	1/2
09.11	350.0	120.0	2	1/2
09.21	701.0	134.0	1	1/2
10.11	1538.0	382.0	1	1/2
10.12	1538.0	382.0	1	1/2
10.21	725.0	353.0	1	2/2

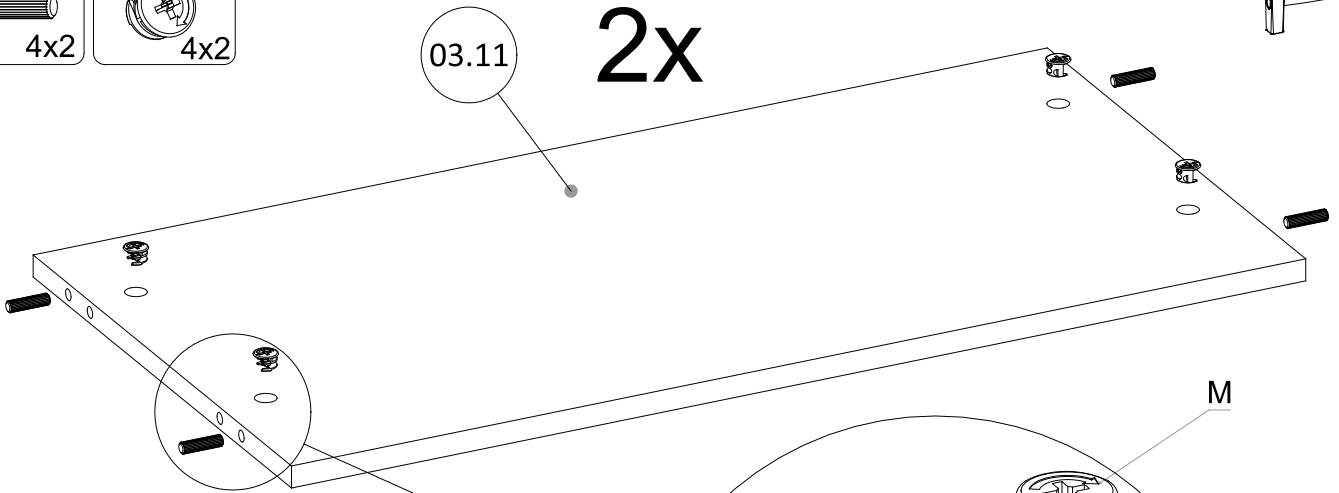
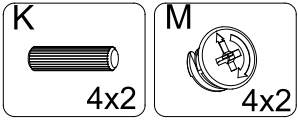
- |                           |                          |                               |                            |                          |                                   |
|---------------------------|--------------------------|-------------------------------|----------------------------|--------------------------|-----------------------------------|
| <b>W34</b> 4x16<br><br>1x | <b>KA</b><br><br>1x      | <b>PR3 L/R</b> L350<br><br>1x | <b>TK</b><br><br>14x       | <b>G2</b> 2x20<br><br>6x | <b>NA20</b> 318<br>Ø20<br><br>18x |
| <b>SG</b><br><br>4x       | <b>U</b> Ø26<br><br>2x   | <b>PPD</b><br><br>12x         | <b>W3</b> 5x13<br><br>4x   | <b>W4</b> 5x9<br><br>4x  | <b>W5</b> M4x25<br><br>2x         |
| <b>K</b> 8x30<br><br>28x  | <b>K1</b> 6x30<br><br>4x | <b>M</b> Ø15x12<br><br>28x    | <b>M1</b> Ø15x10<br><br>2x | <b>TM</b><br><br>30x     | <b>KP</b><br><br>4x               |



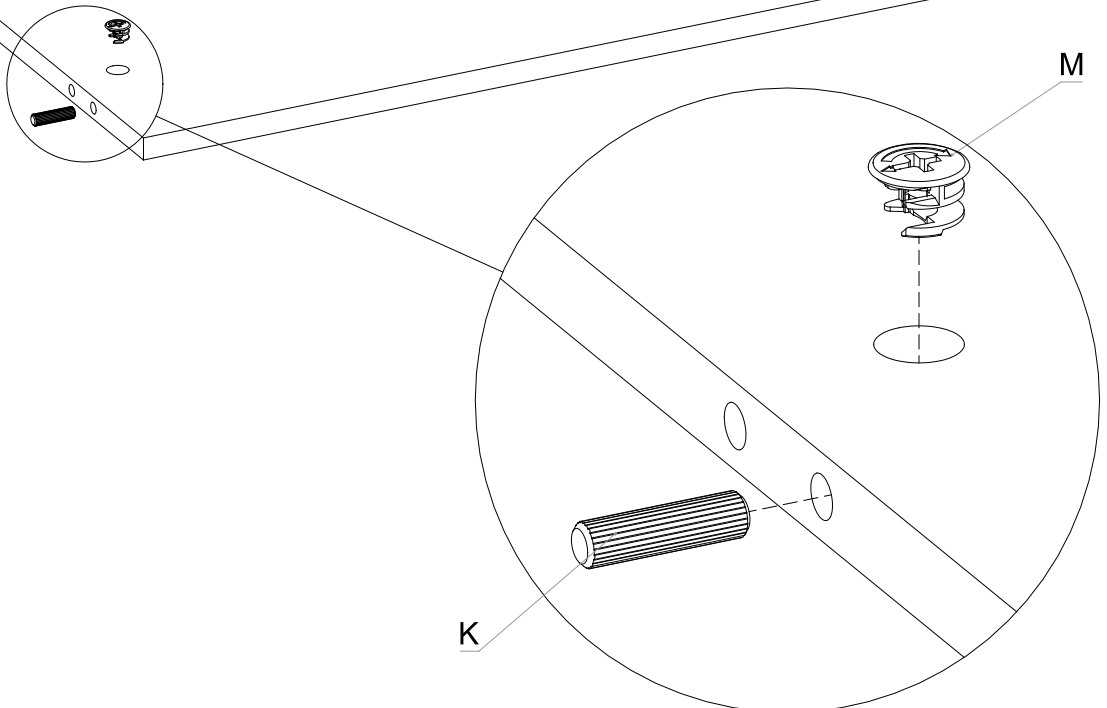
1



2

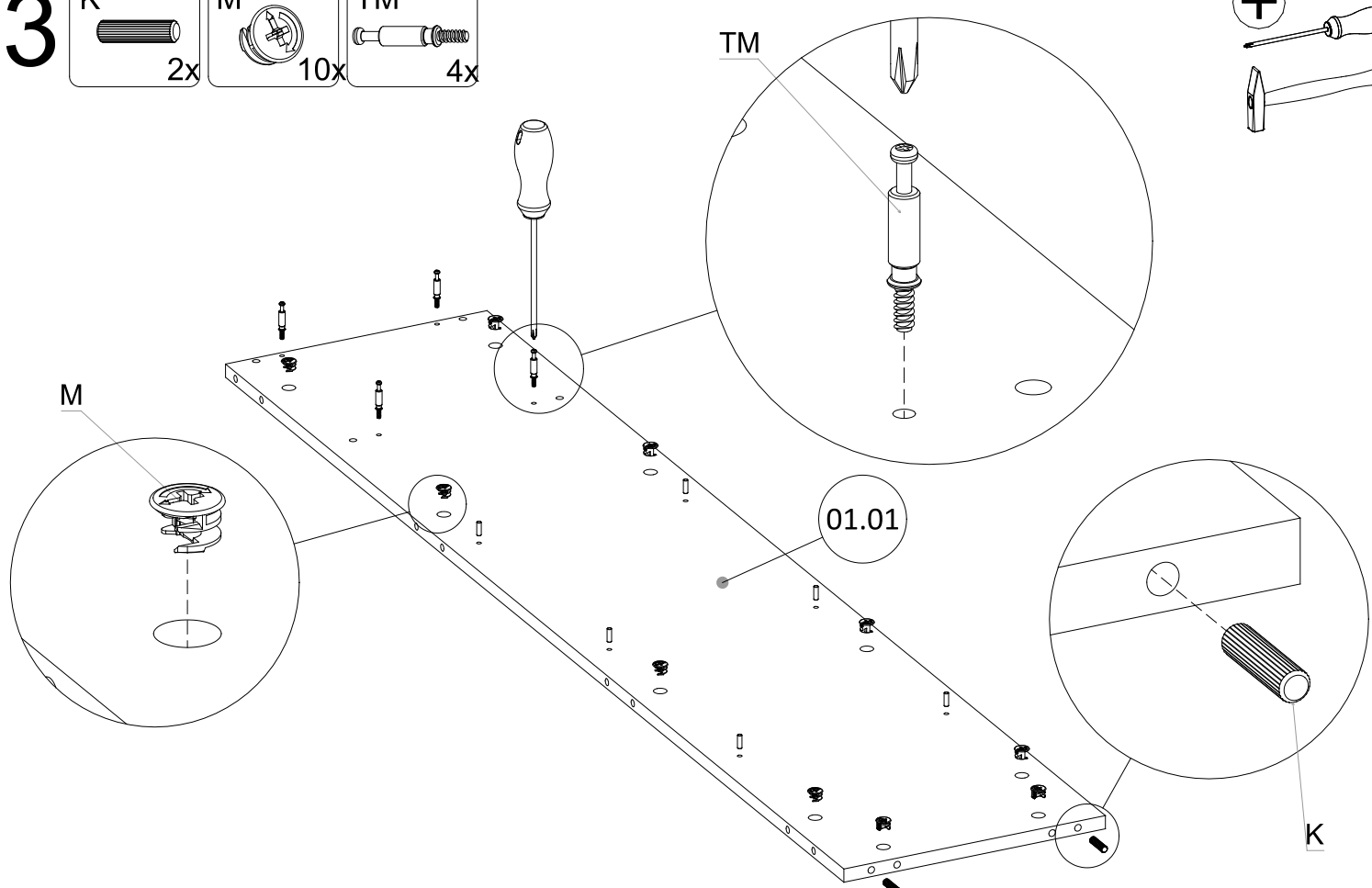
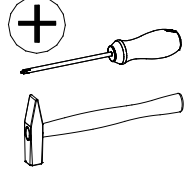
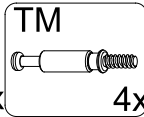
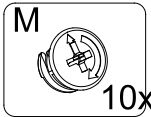
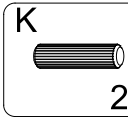


2x

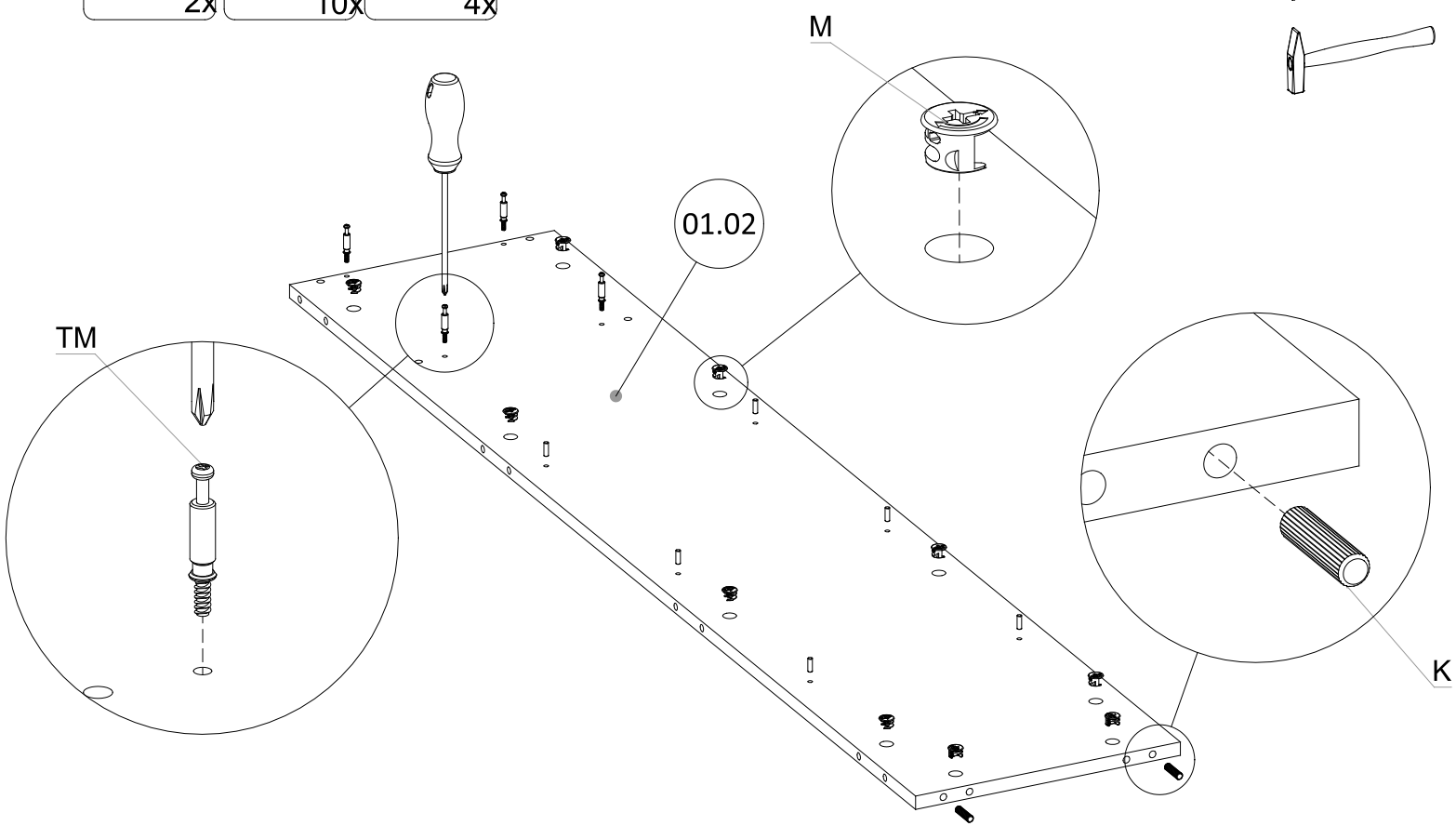
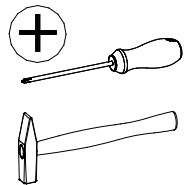
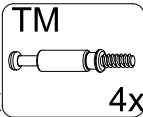
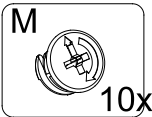
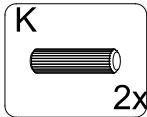


3

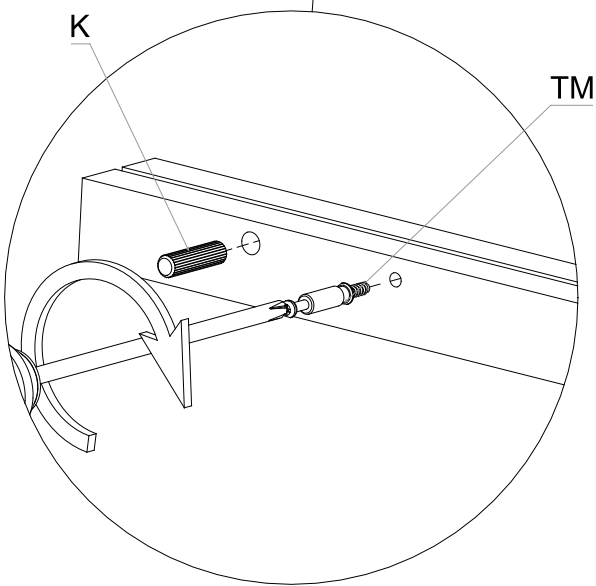
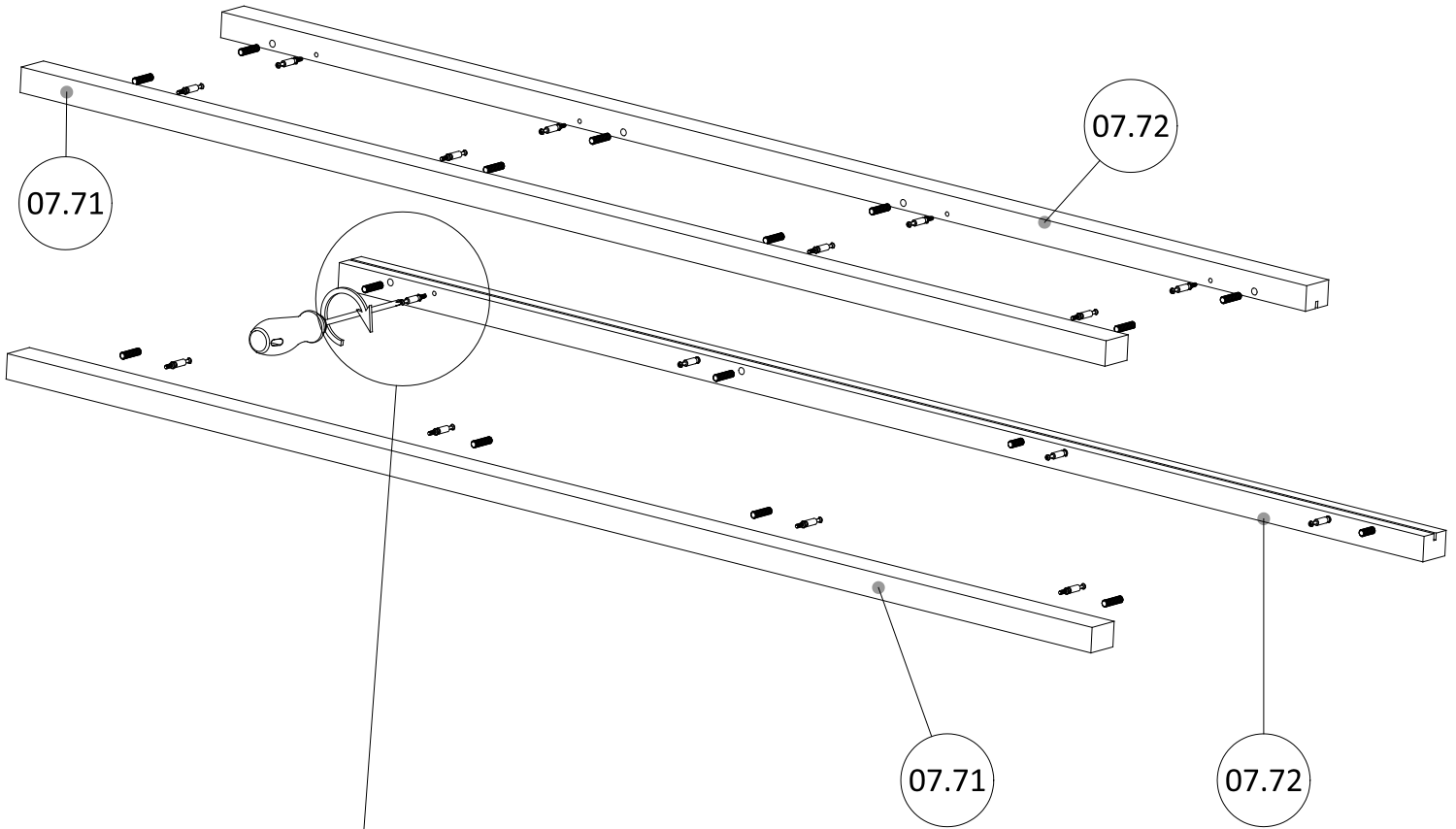
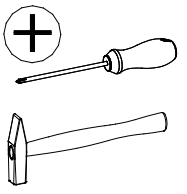
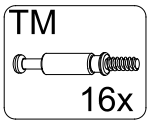
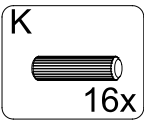
# 3



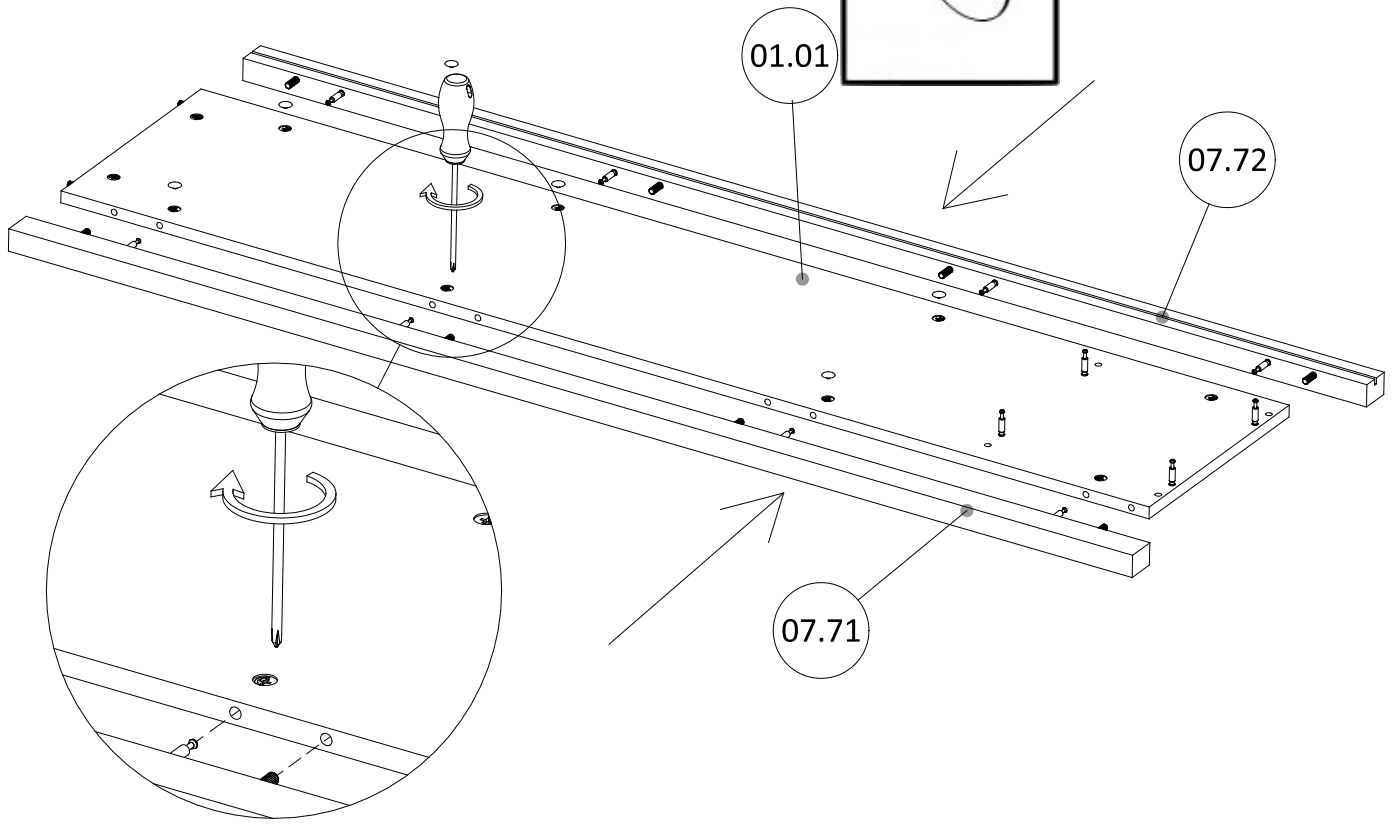
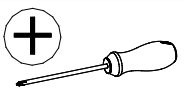
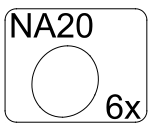
# 4



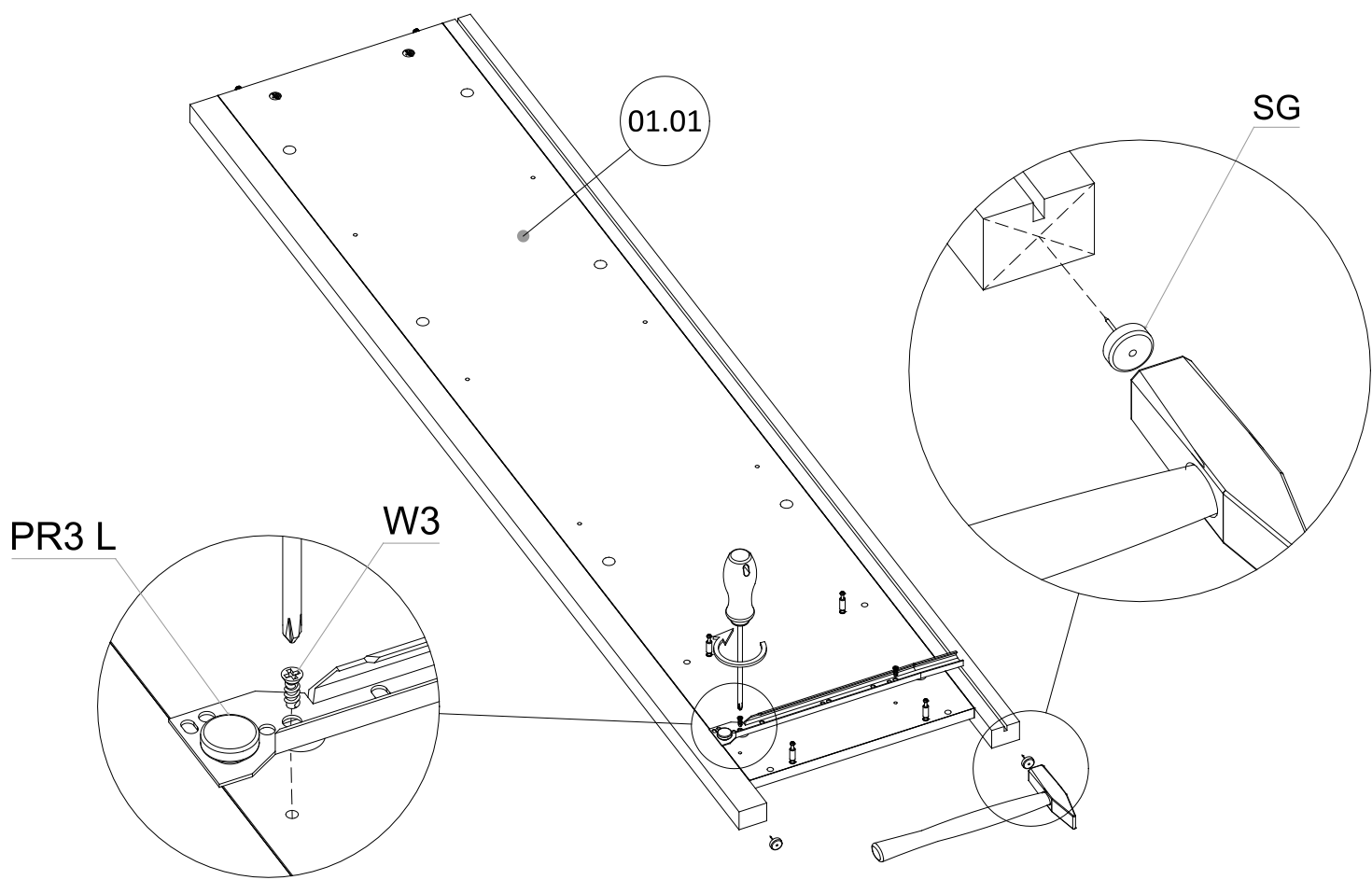
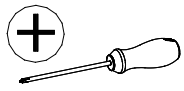
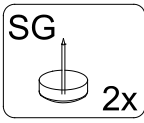
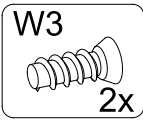
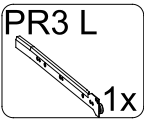
5



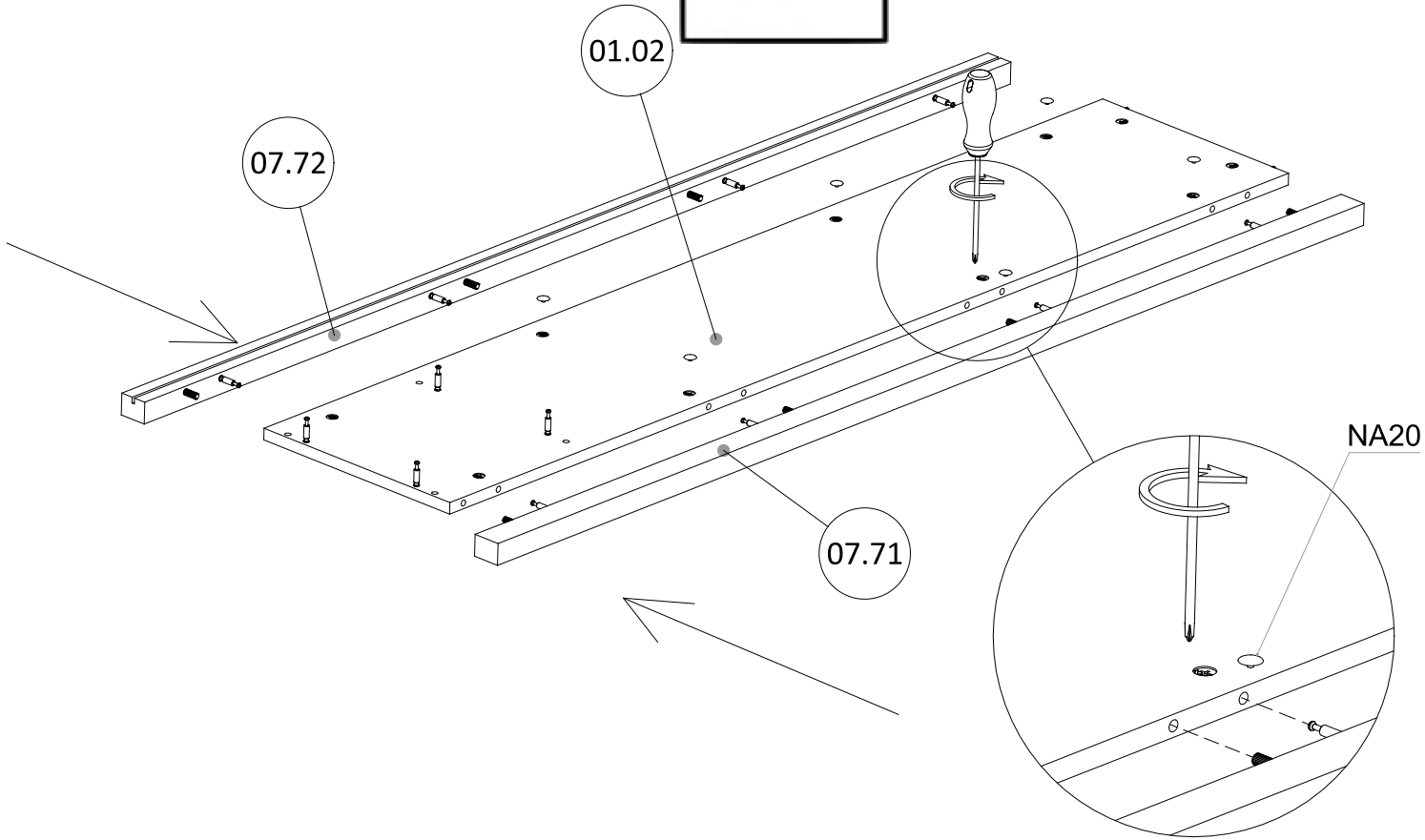
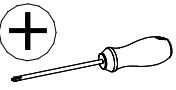
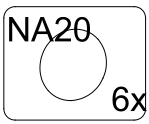
6



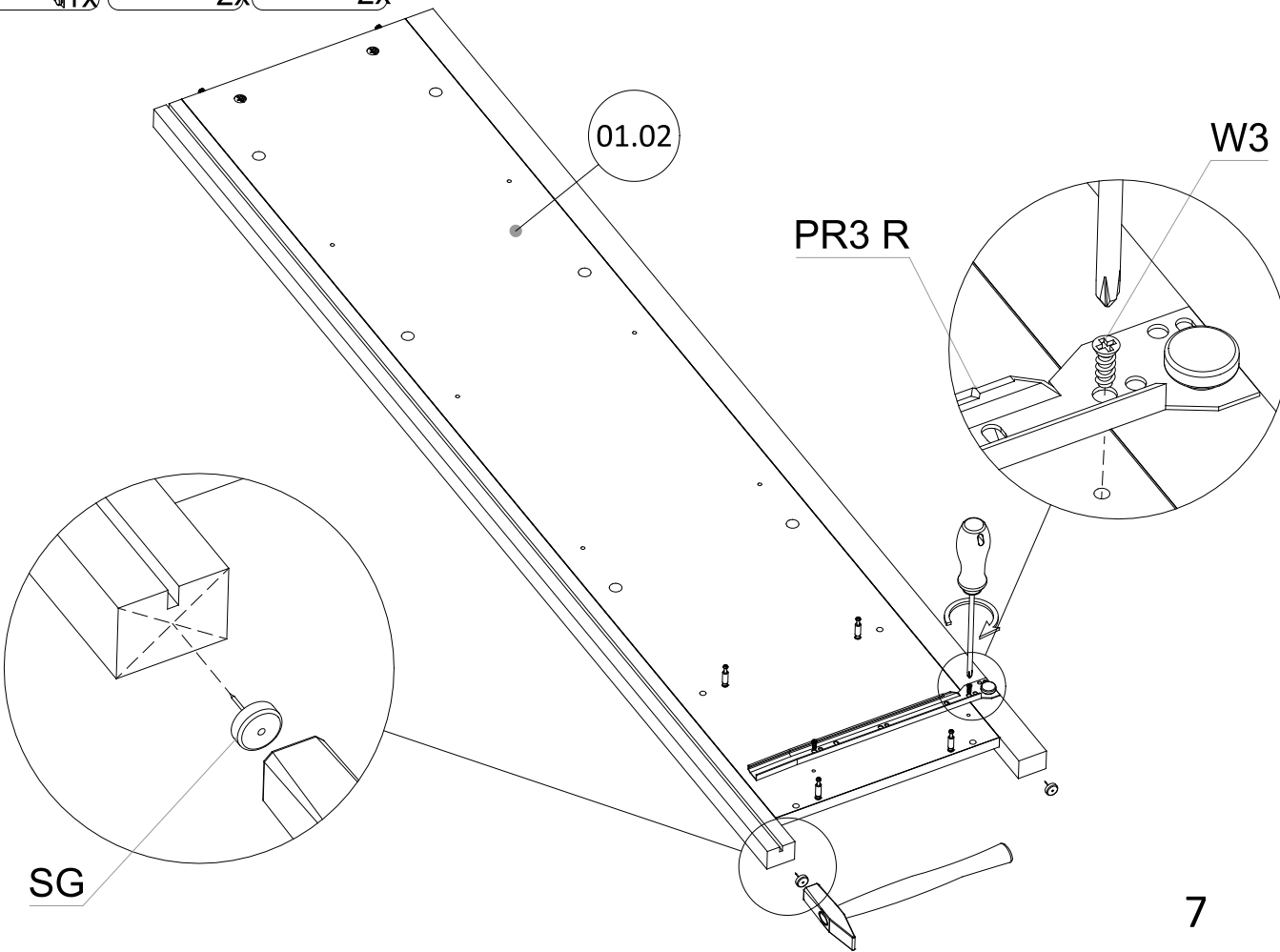
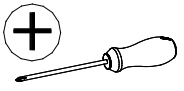
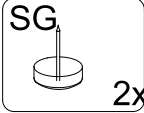
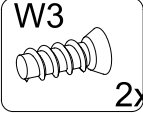
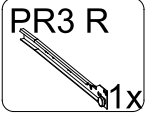
7



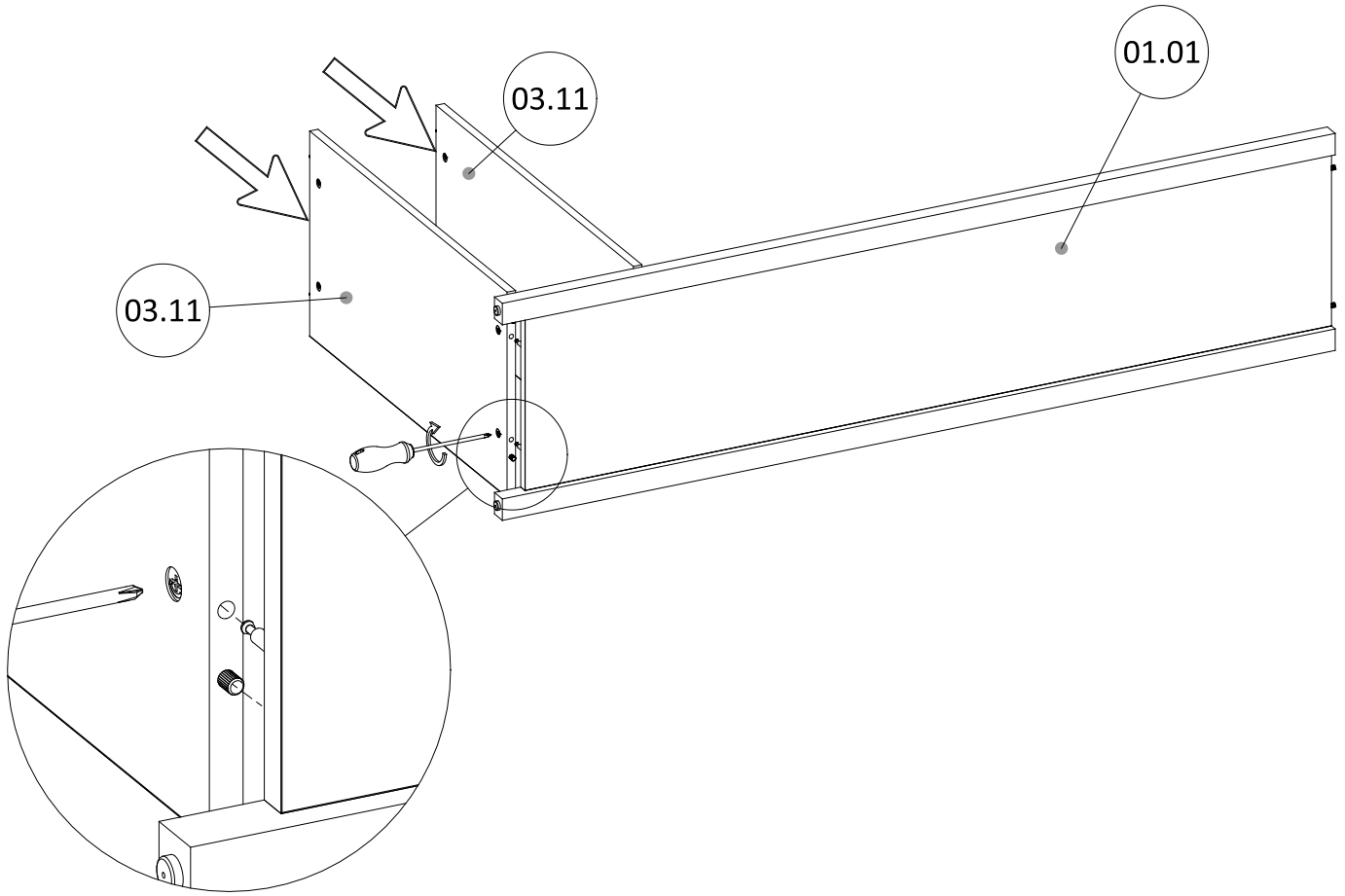
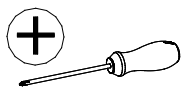
8



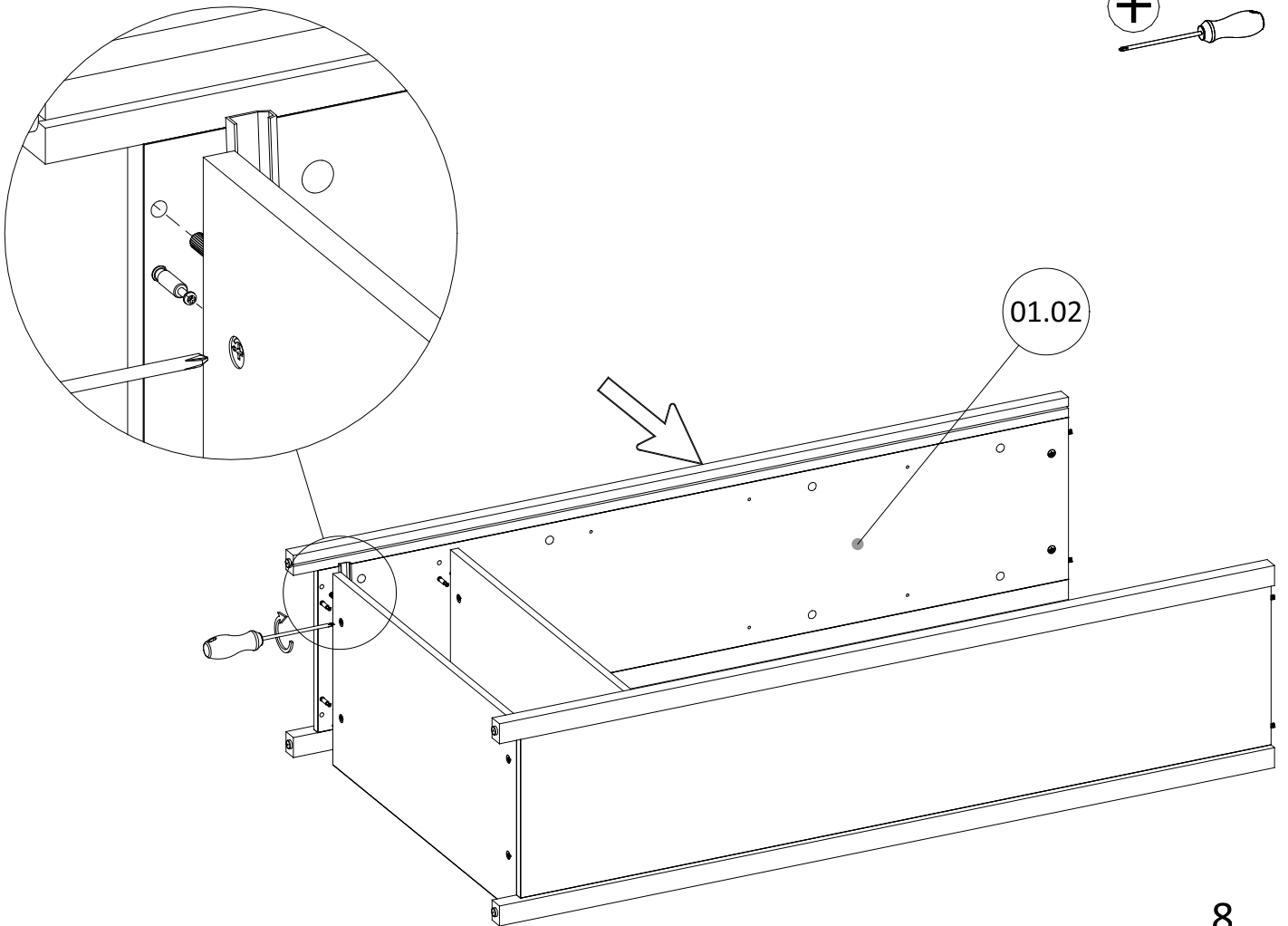
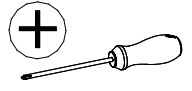
9



# 10



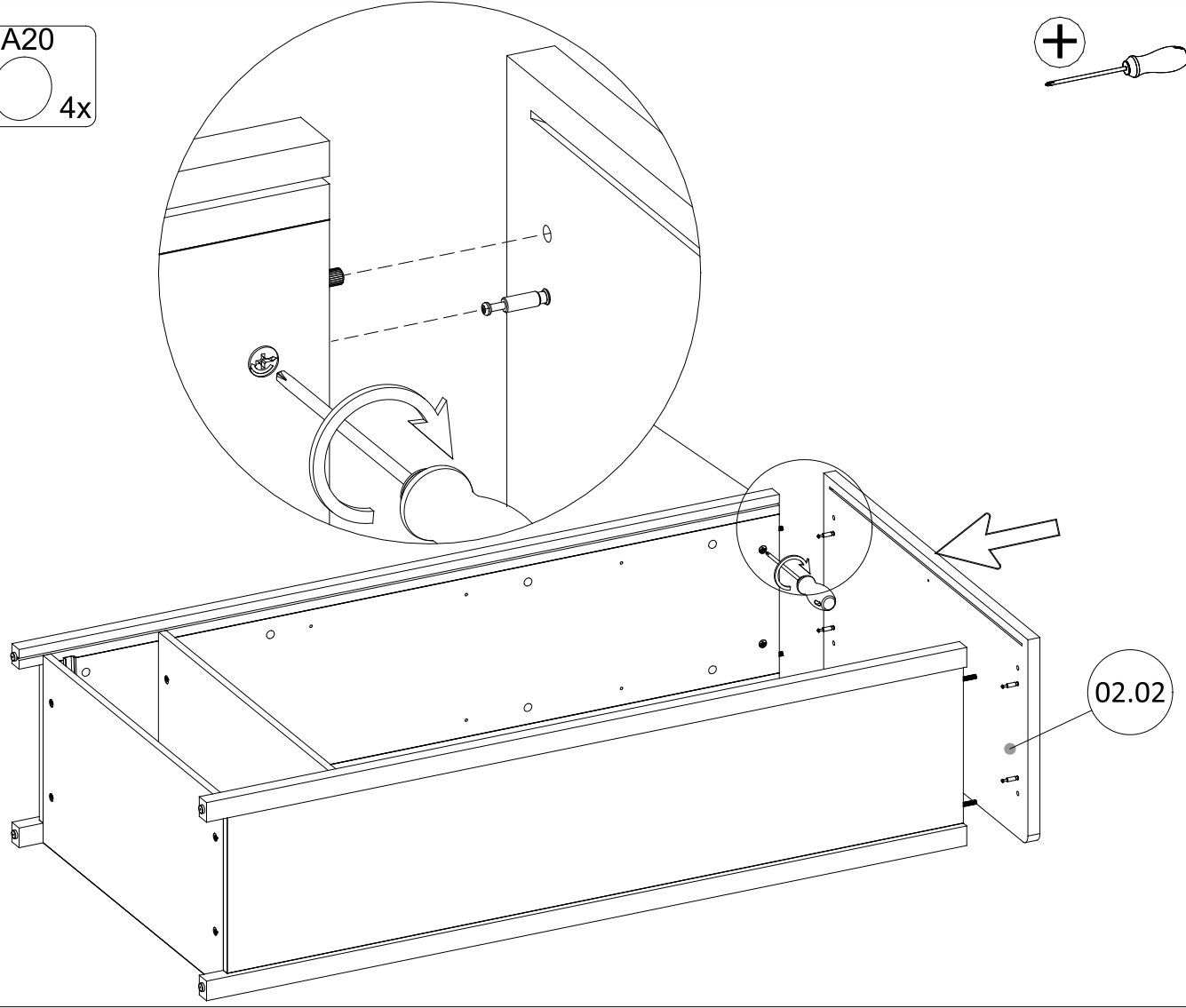
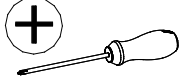
# 11



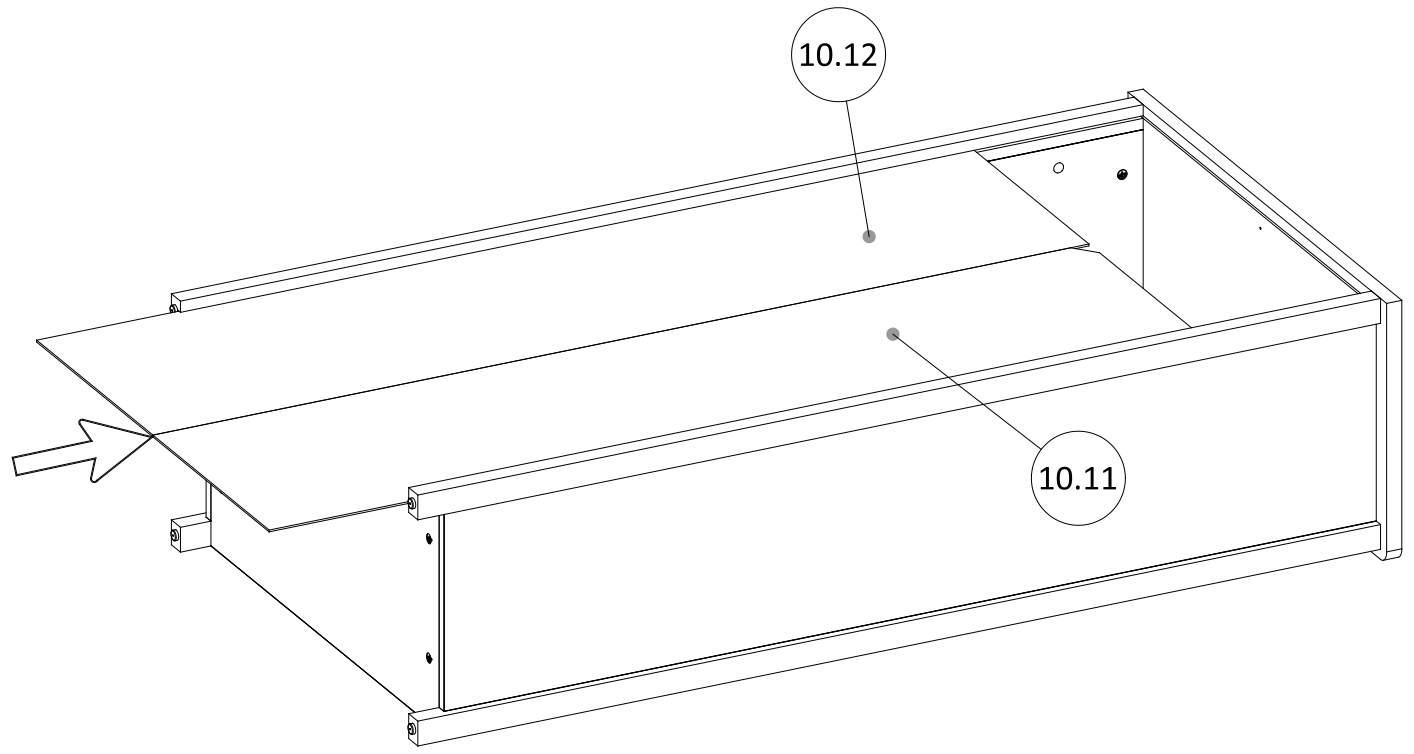


# 12

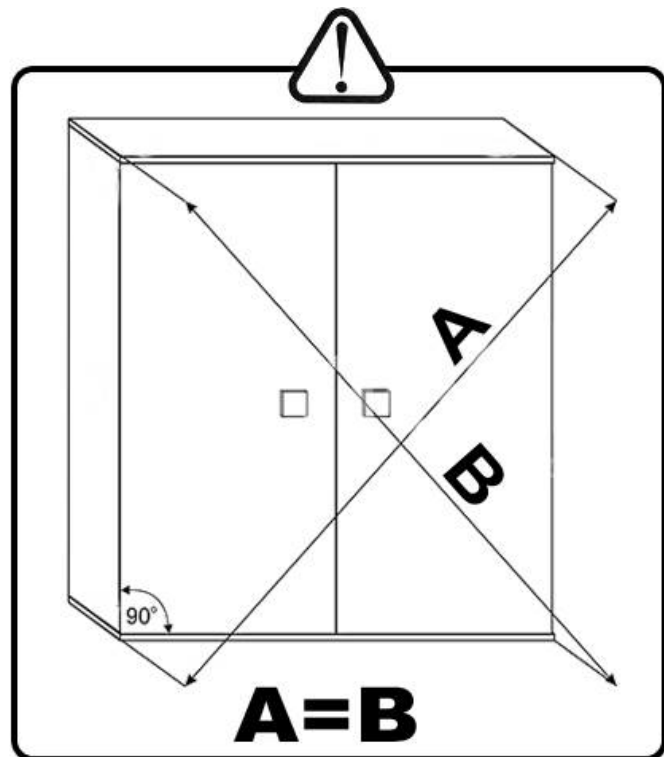
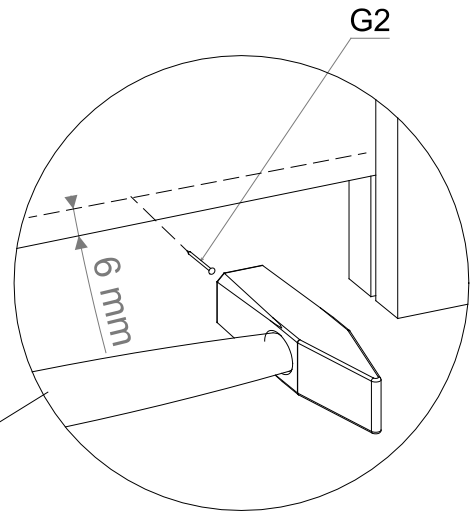
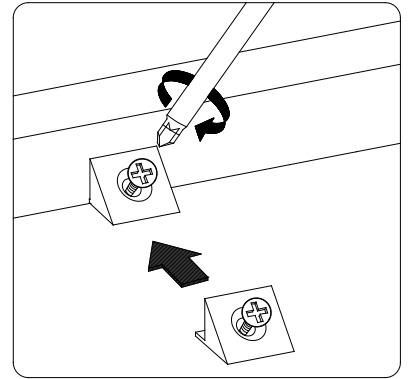
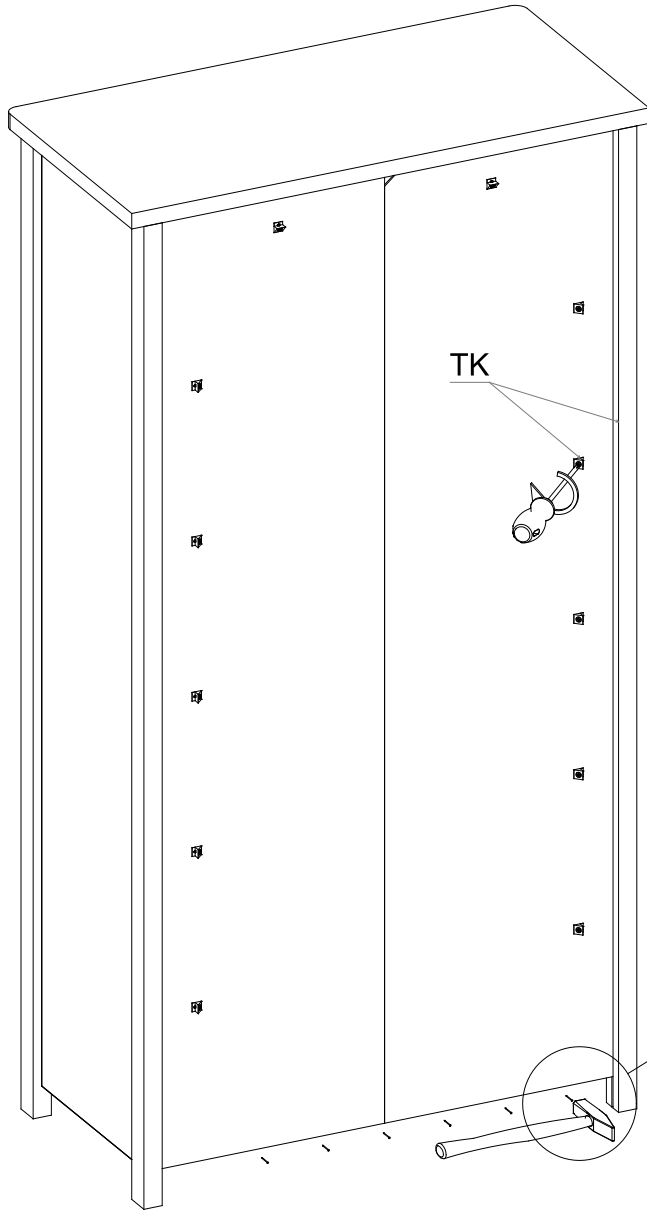
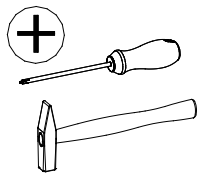
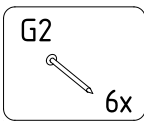
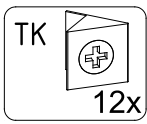
NA20  
4x



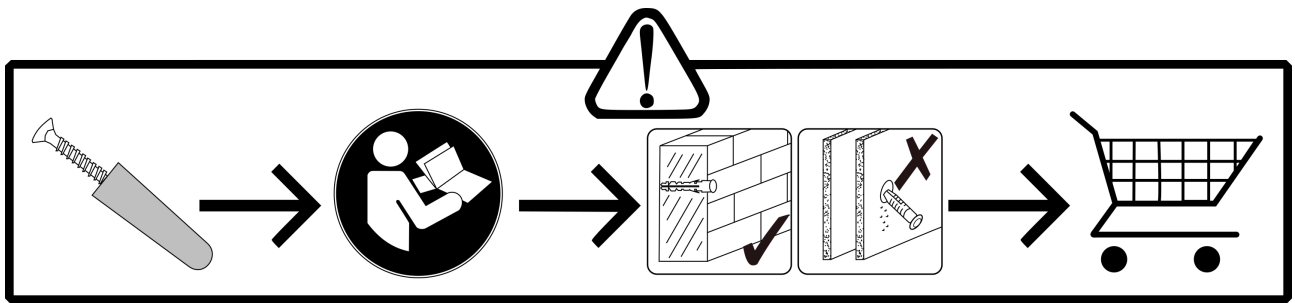
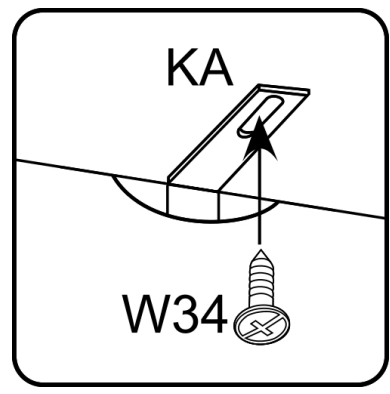
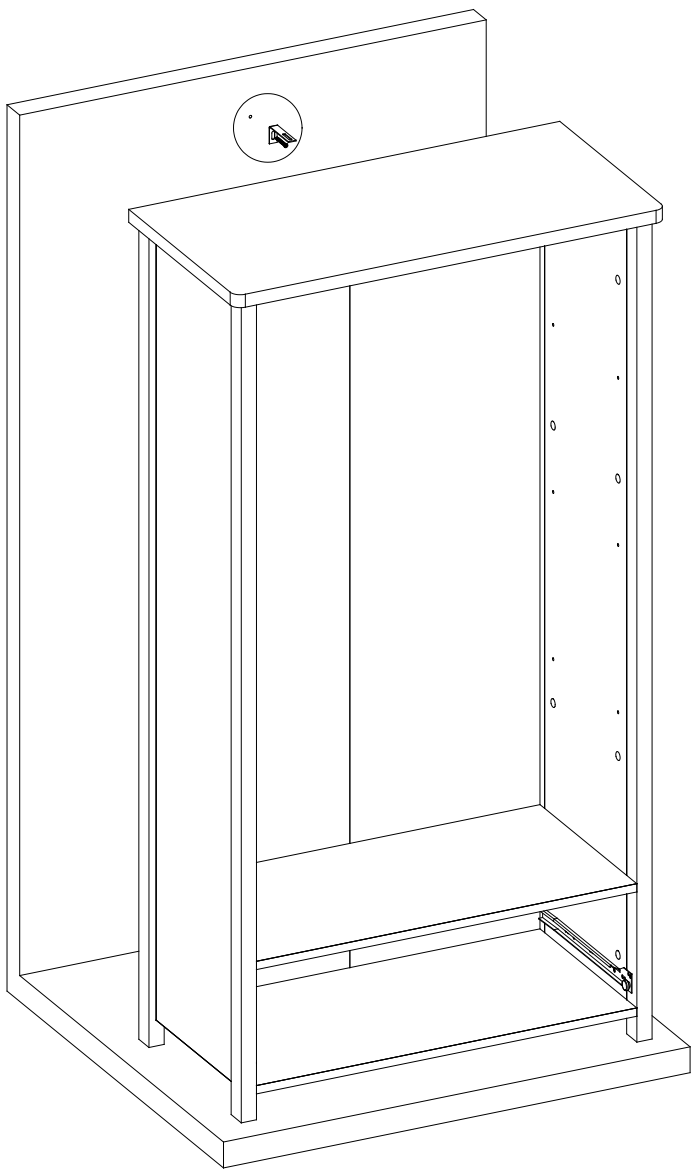
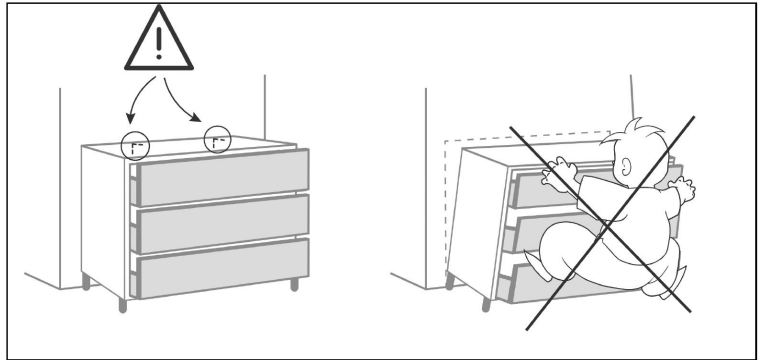
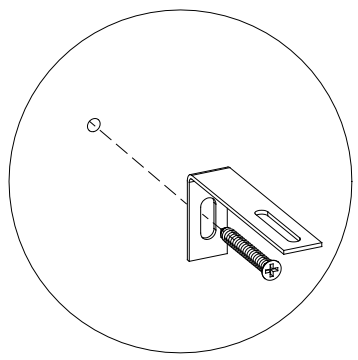
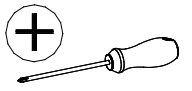
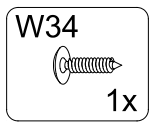
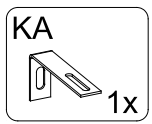
# 13



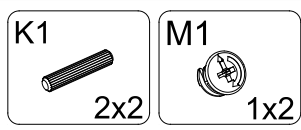
# 14



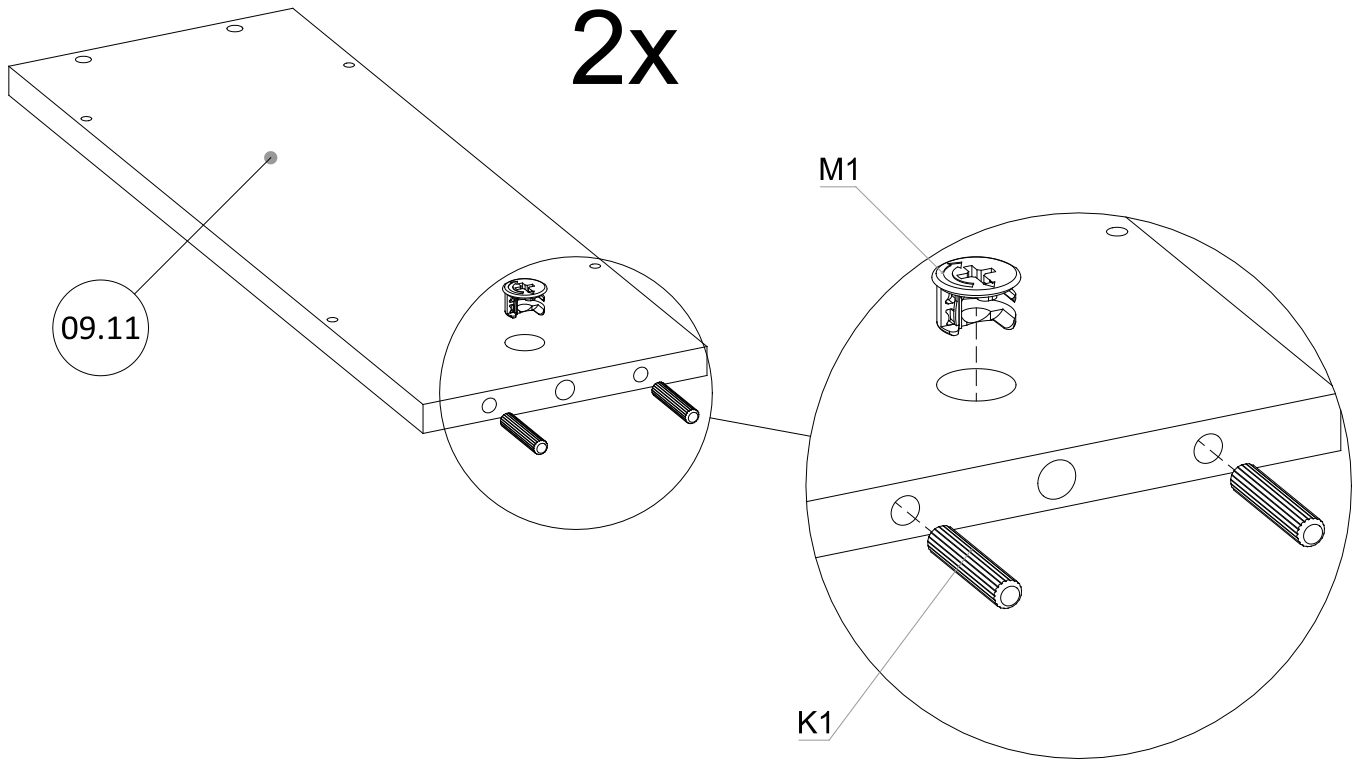
# 15



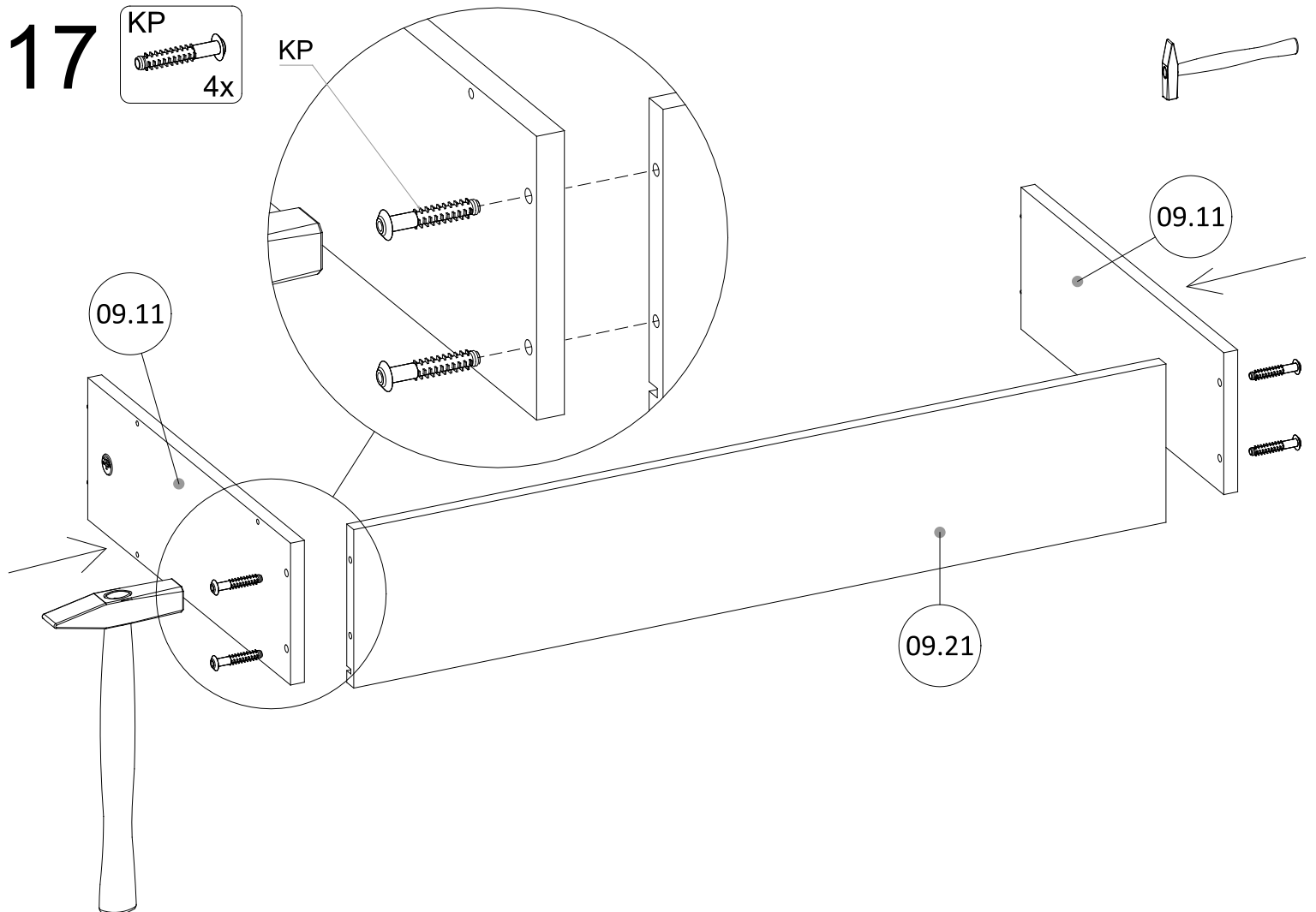
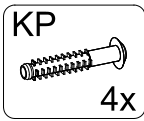
# 16



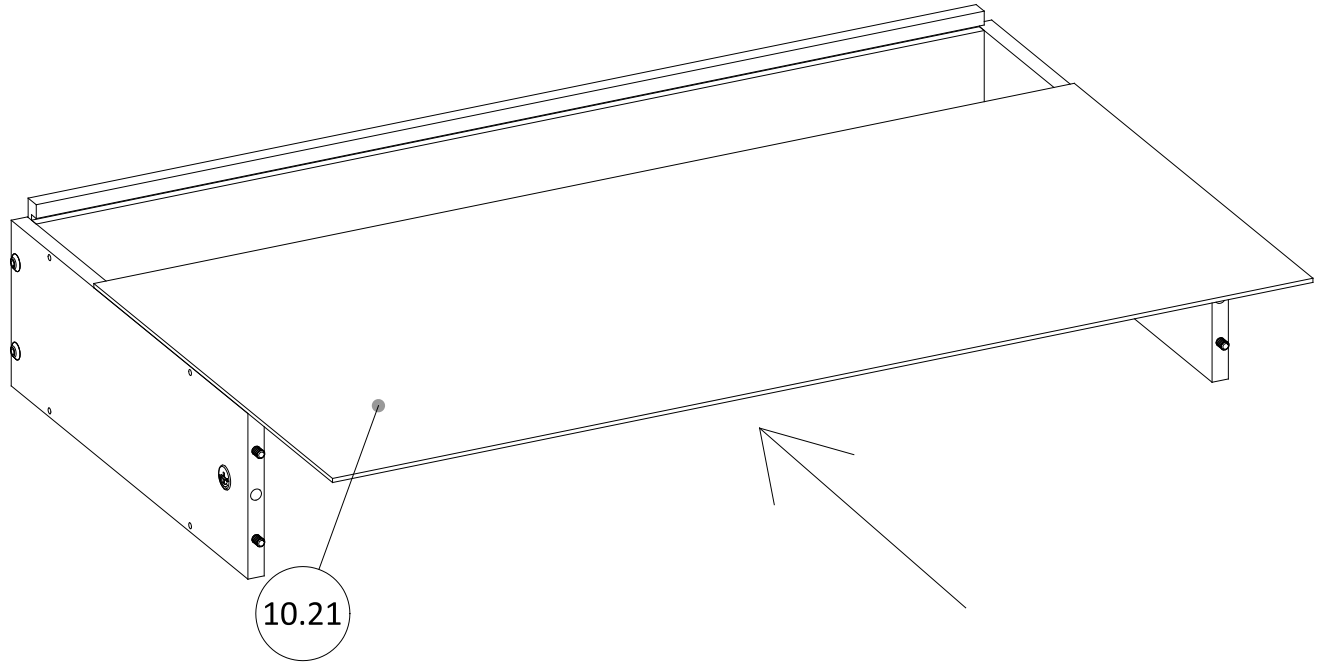
## 2x



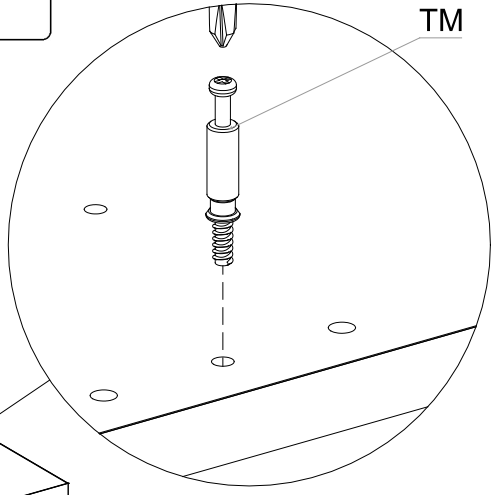
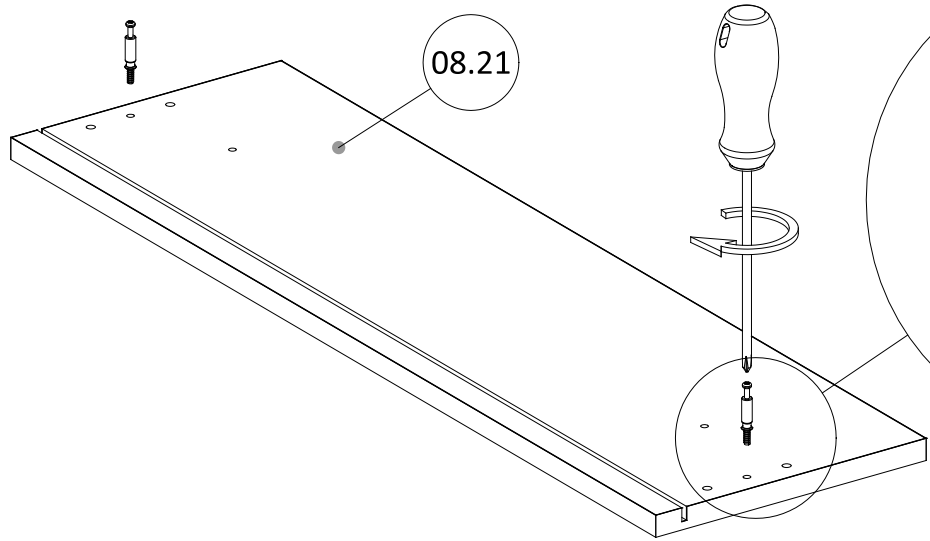
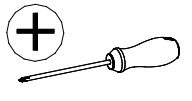
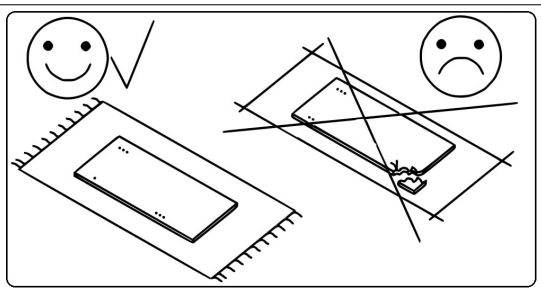
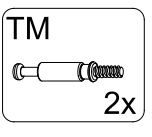
# 17



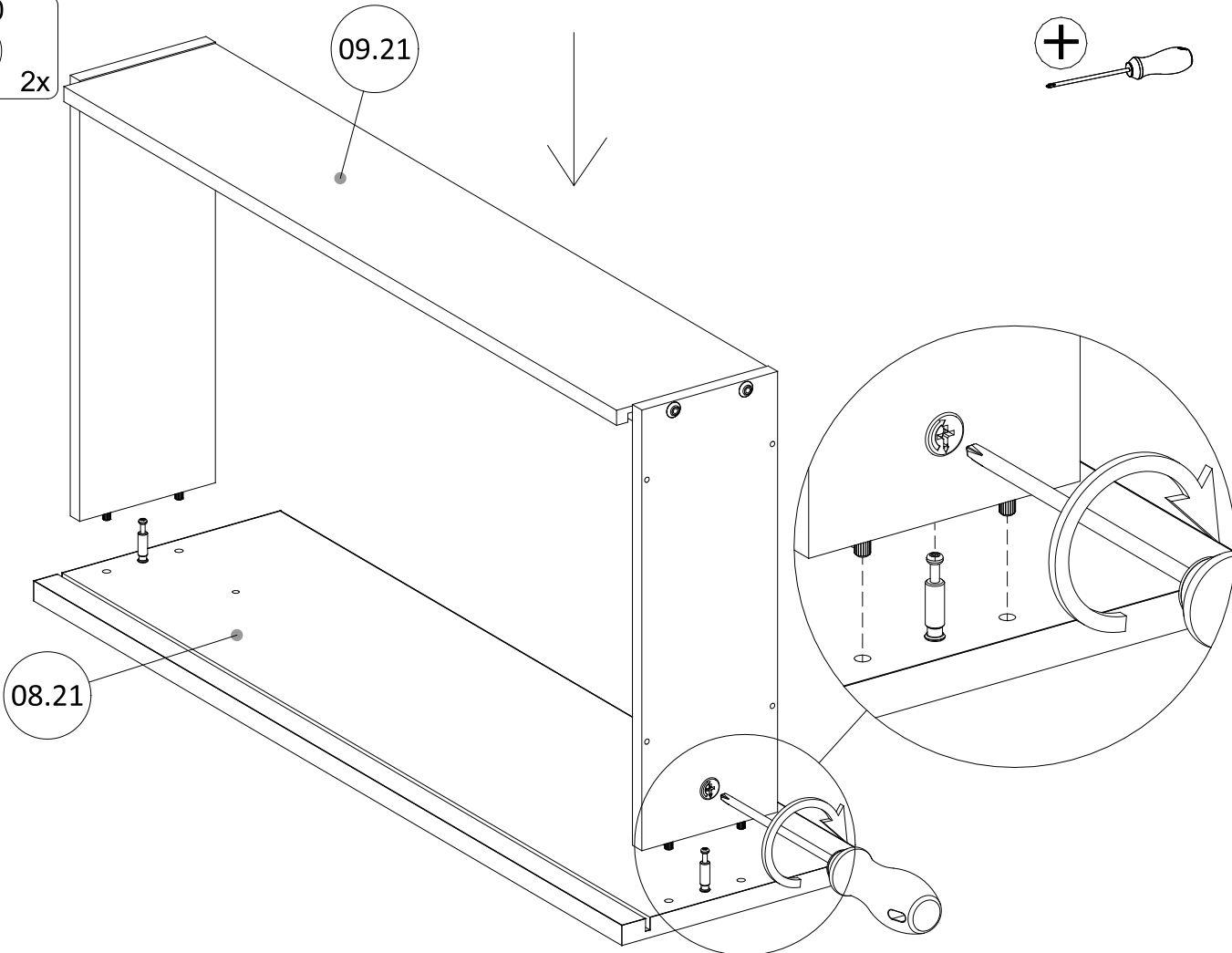
# 18



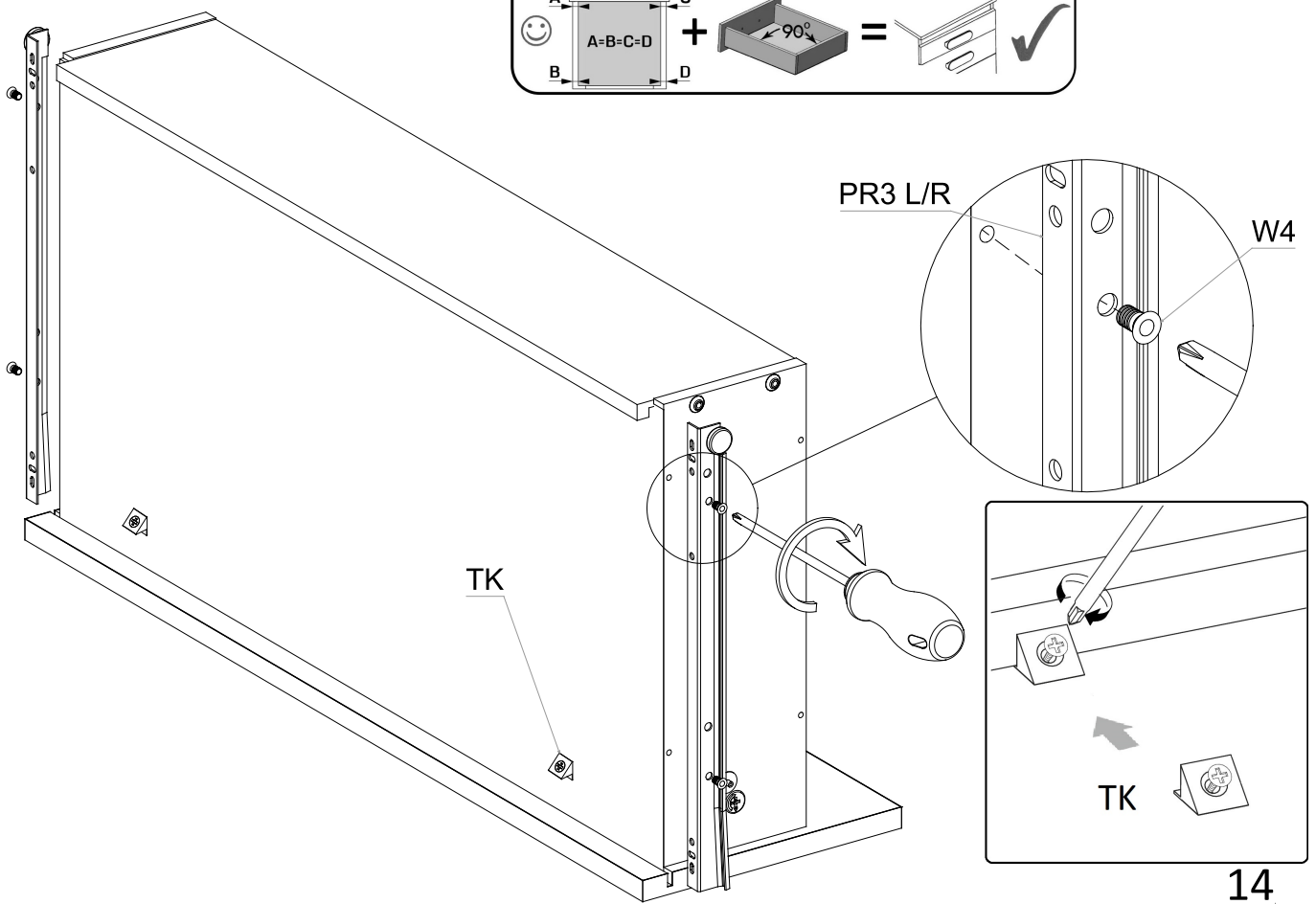
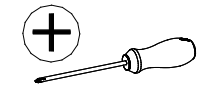
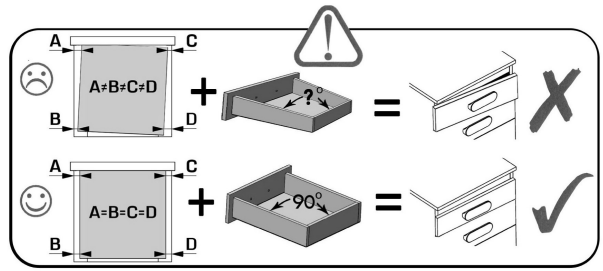
# 19



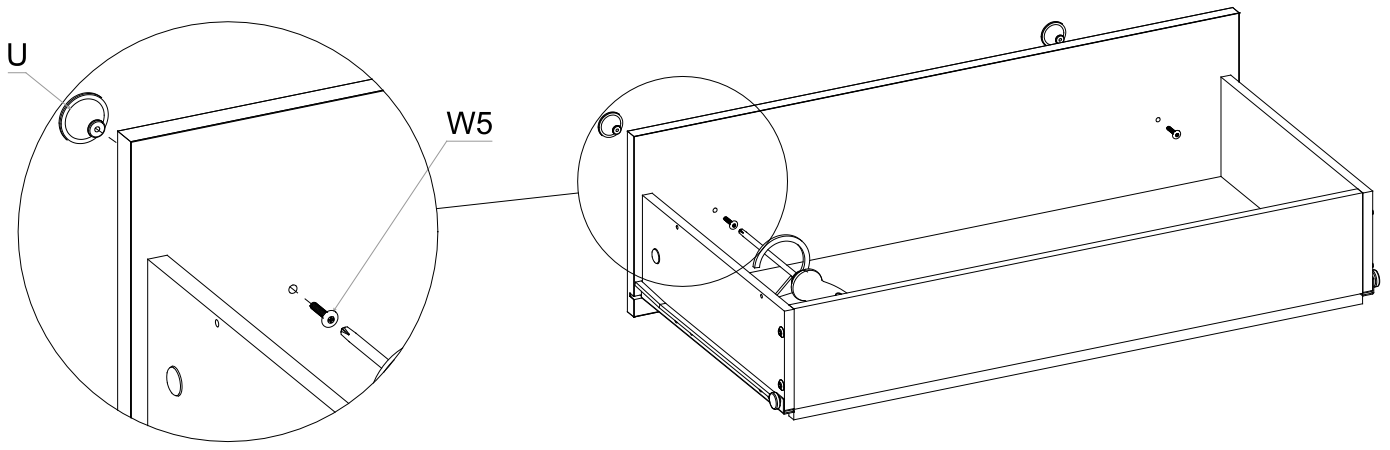
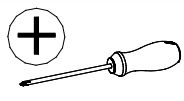
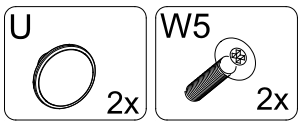
20 NA20 2x



21 PR3 L/R 2x W4 4x TK 2x



# 22



# 23

