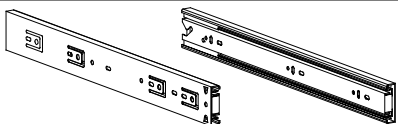

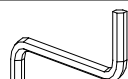
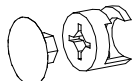


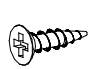
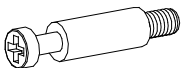

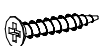
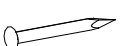

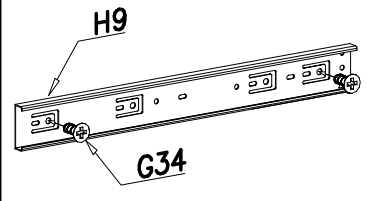
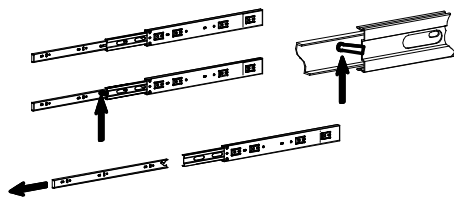
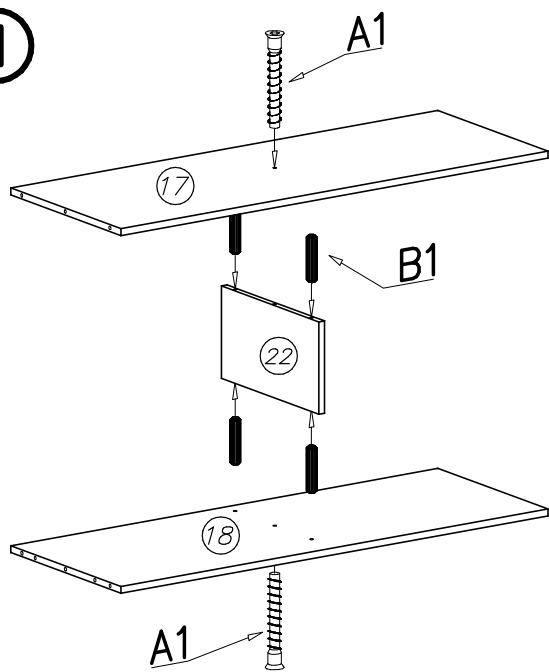
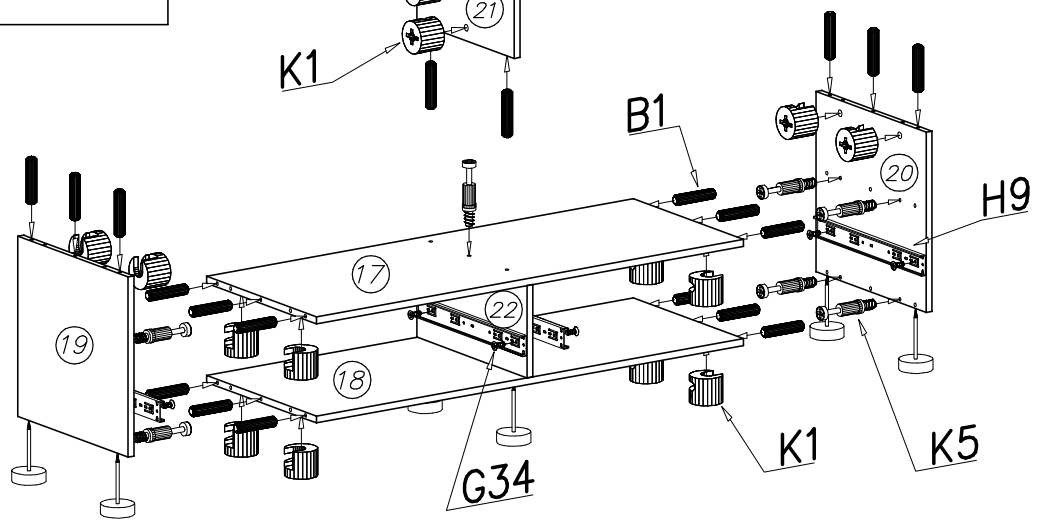
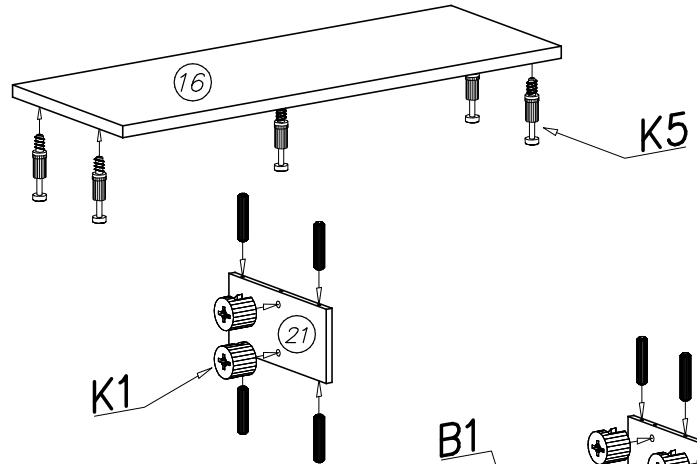


	H9  x3	A1  ø7x50 x2	W2  4mm x1
K1  ø15x12 x10	G8  4x25 x6	B1  ø8x35 x42	G34  3,5x16 x16
K5  x10	W1  GLUE, LEIM, LEPIDLO, LIM x1	G2  3x20 x30	W4  1,6x20 x50
			E7  x2

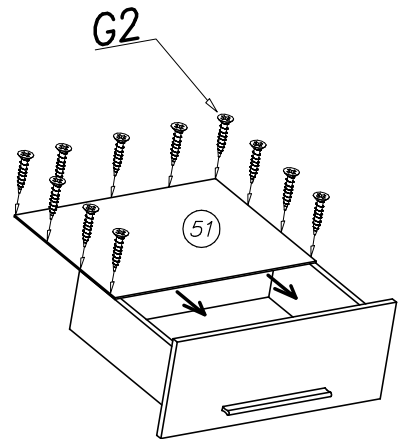
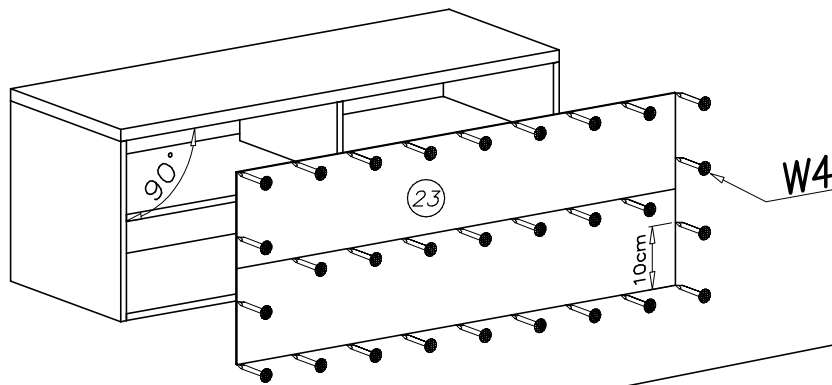
1



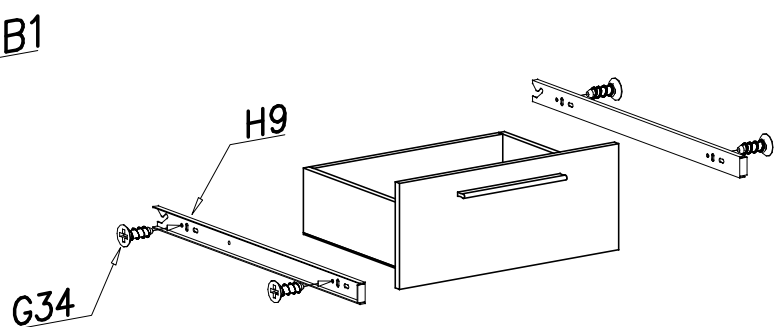
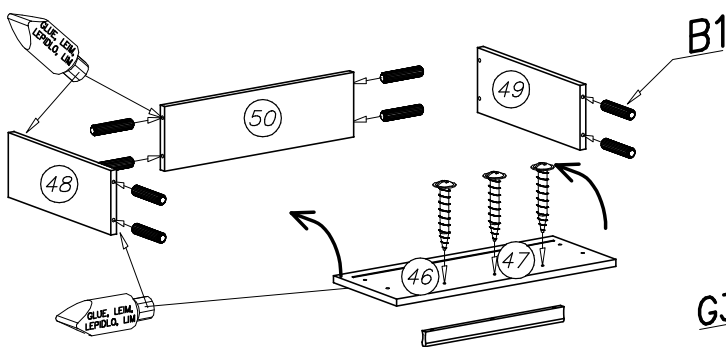
2

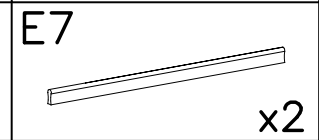
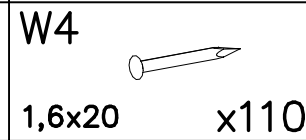
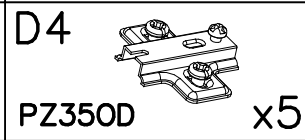
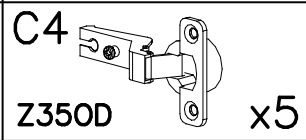
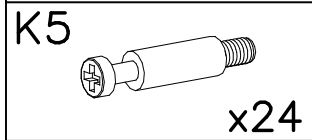
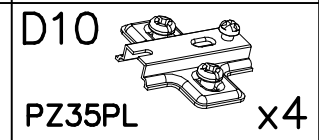
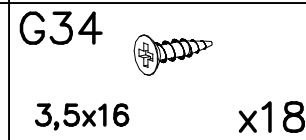
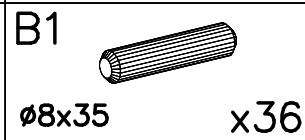
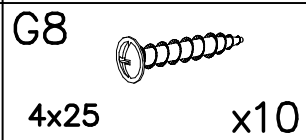
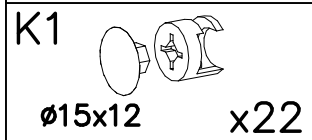
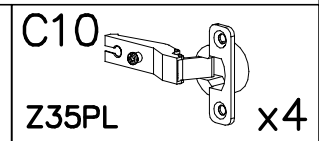
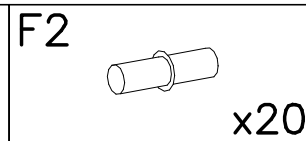
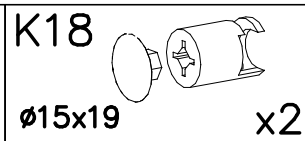
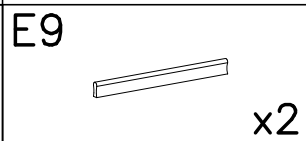
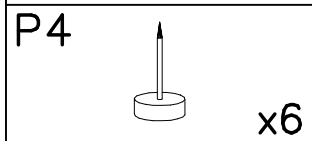
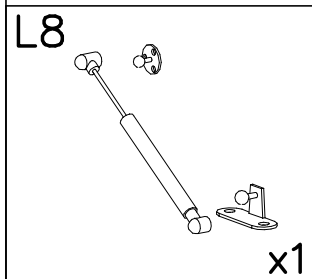
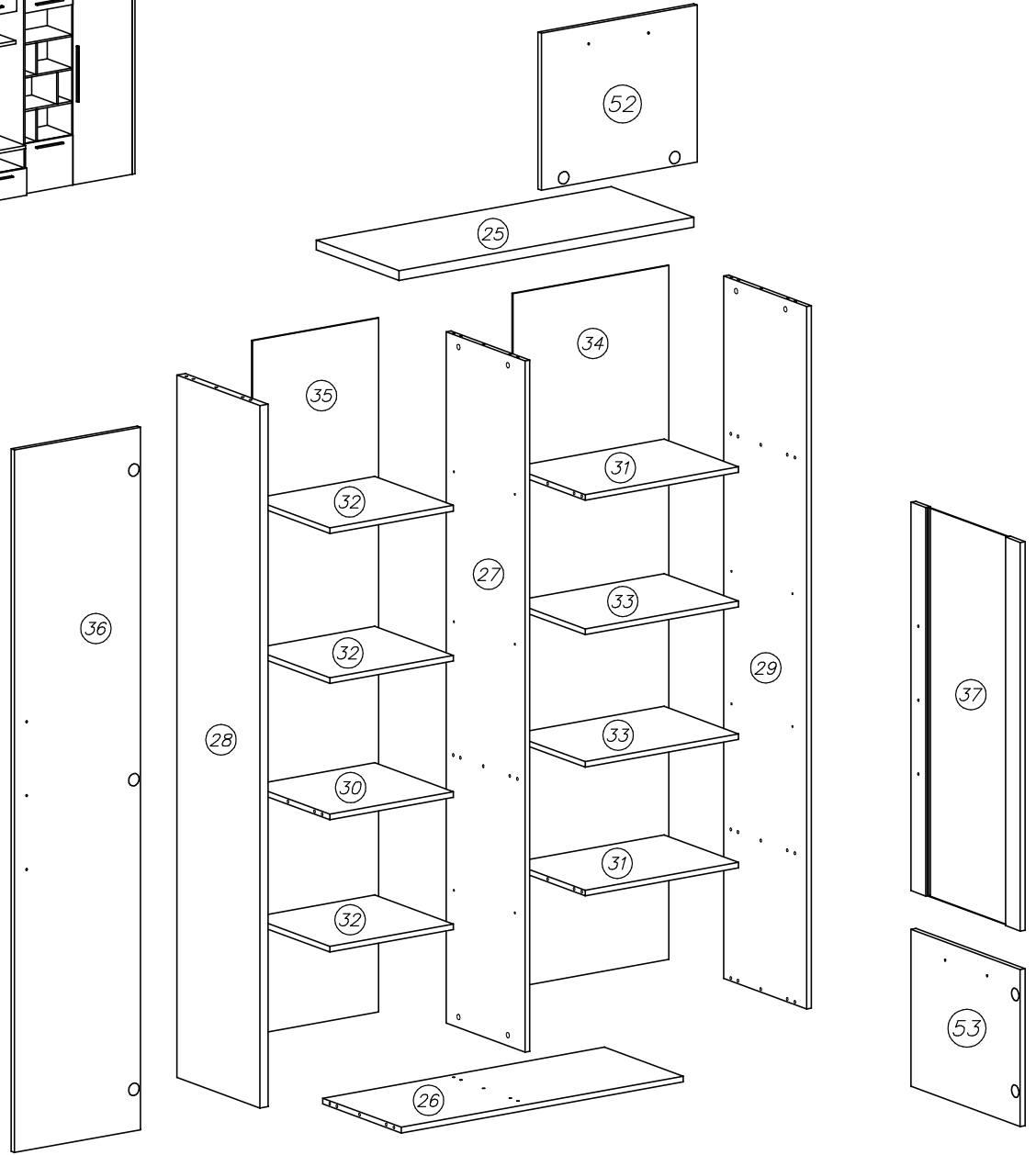
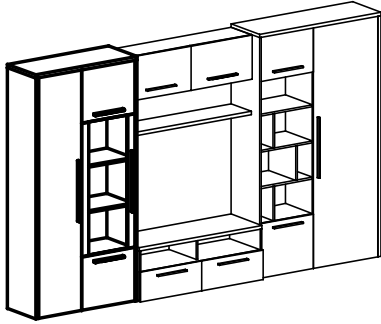
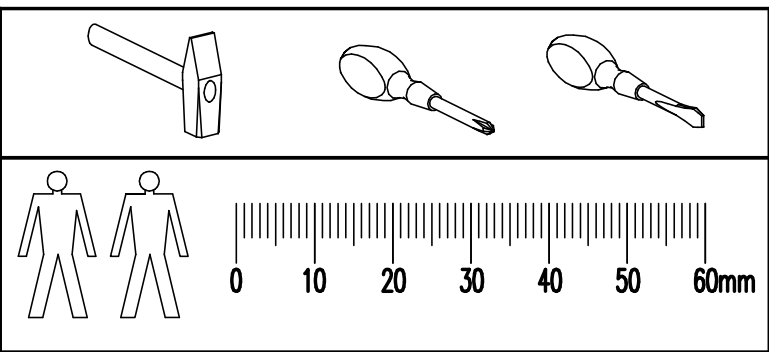
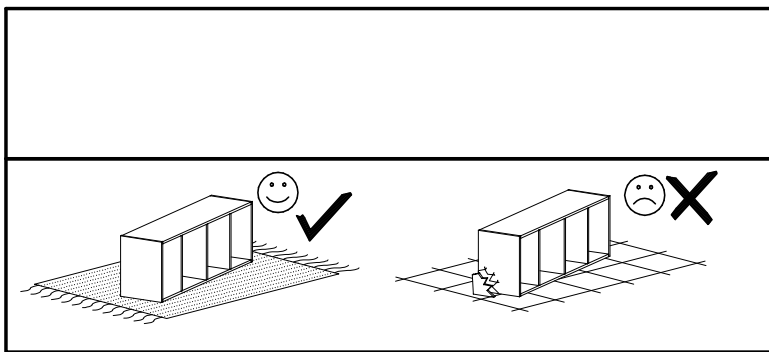


3

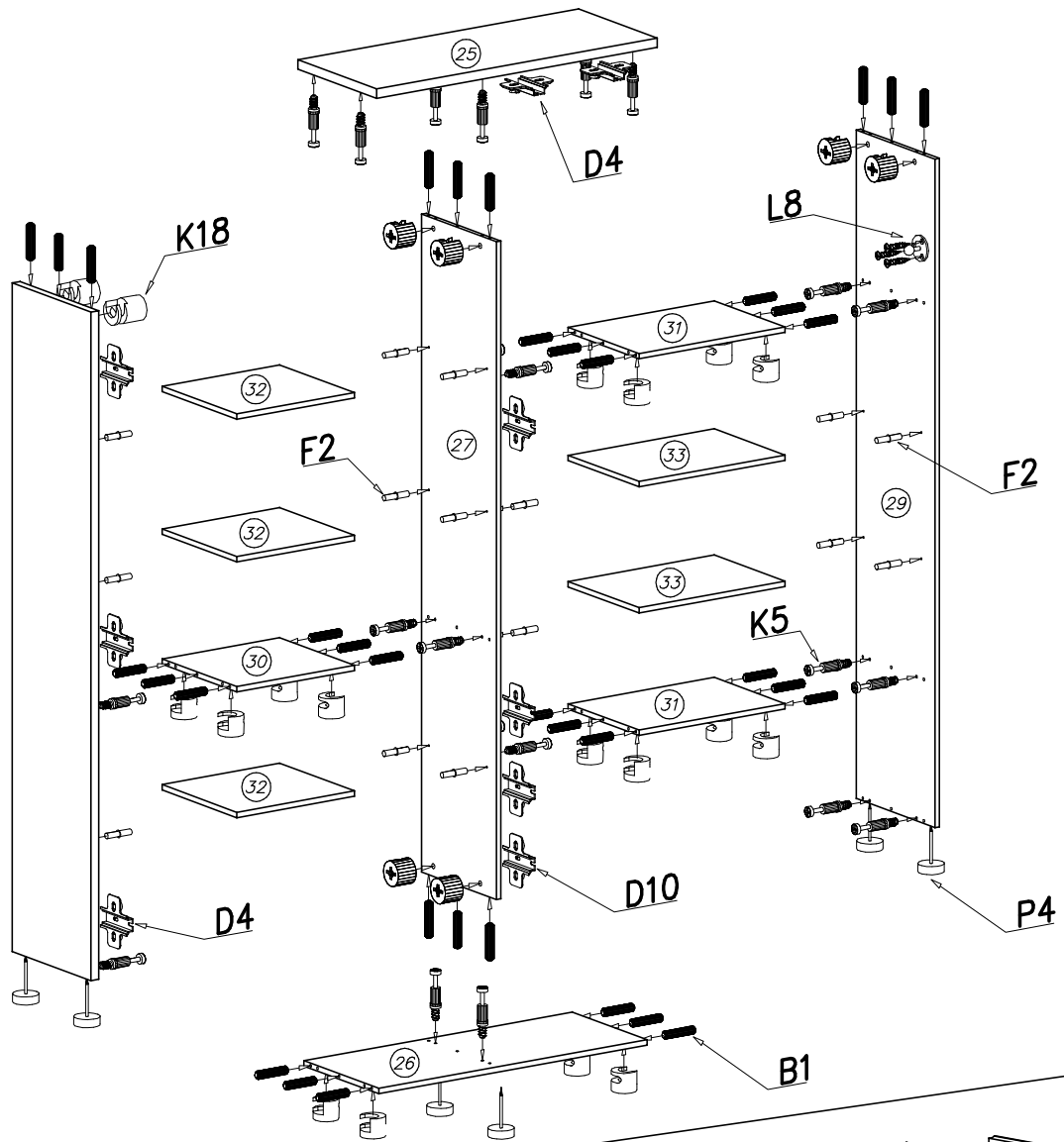


4

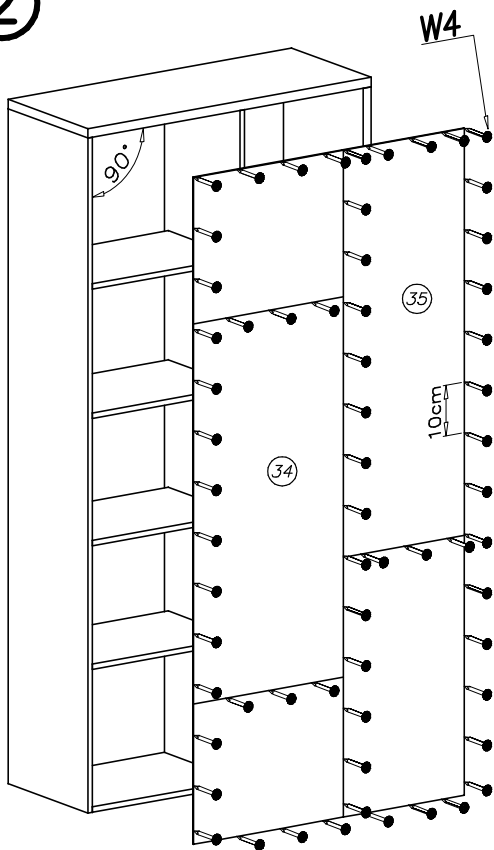




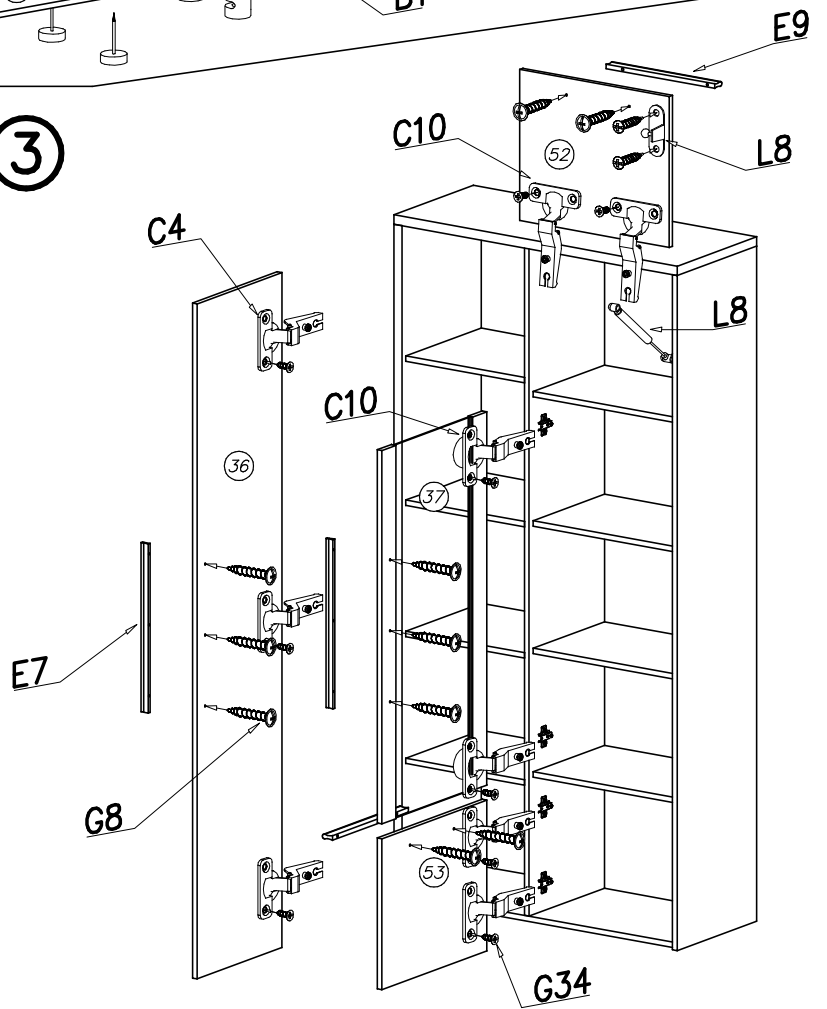
1

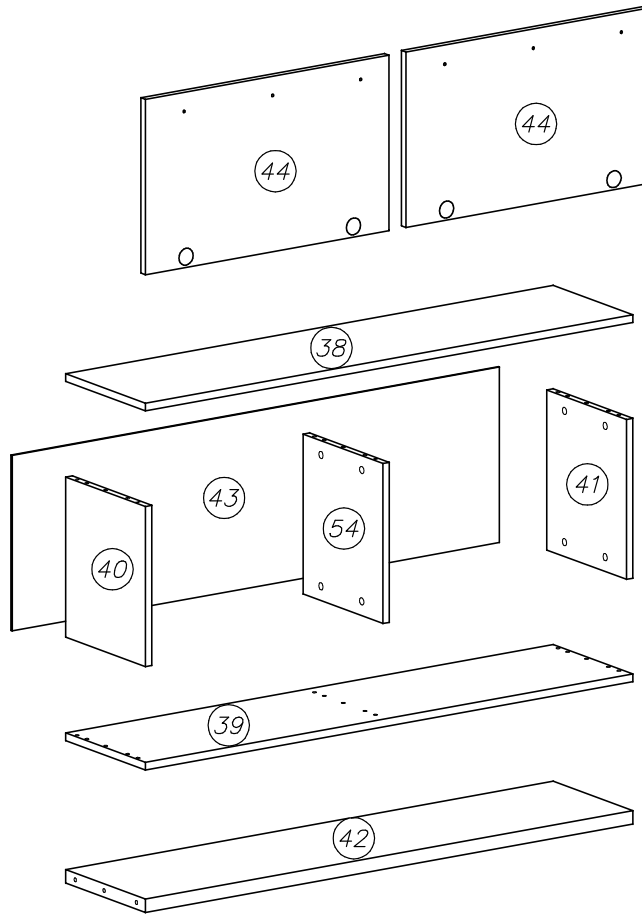
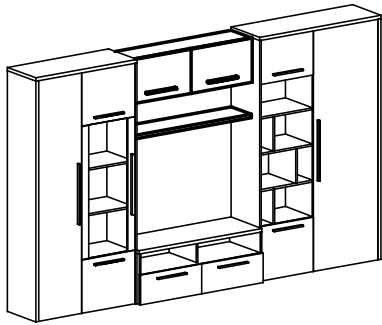
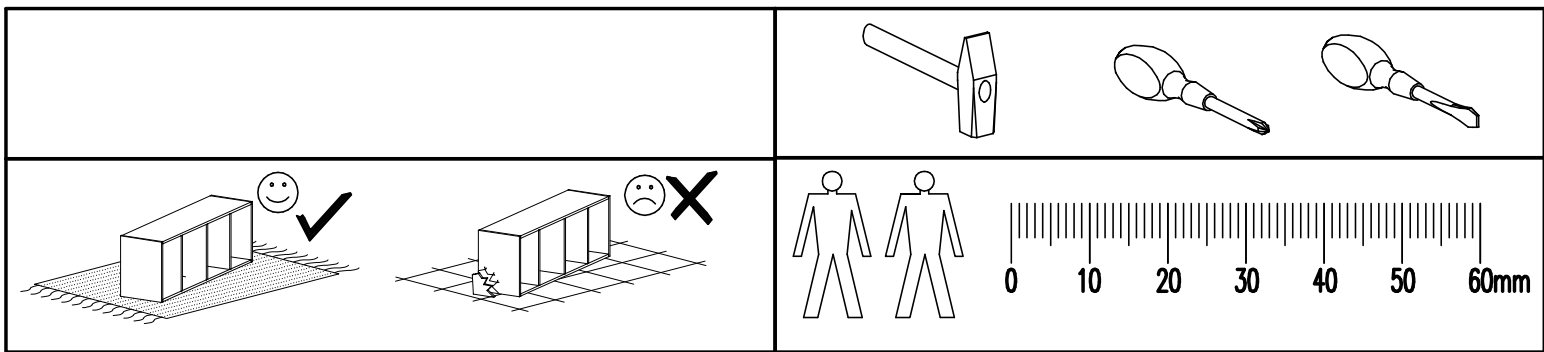


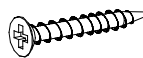
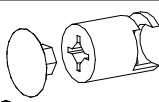
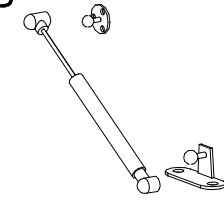
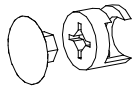



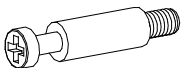

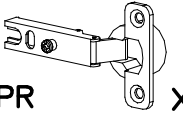


2



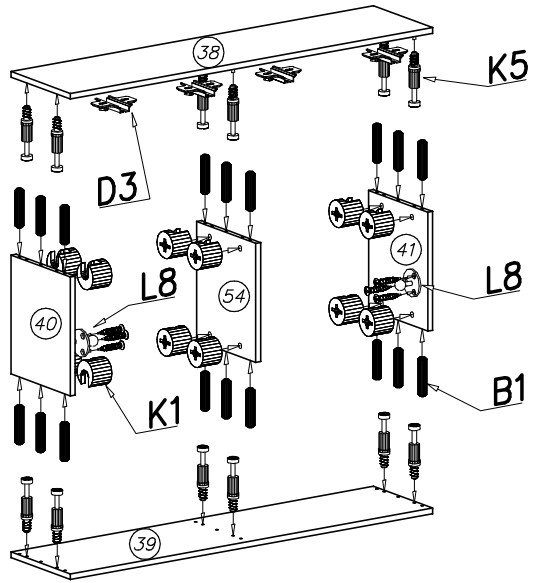
3



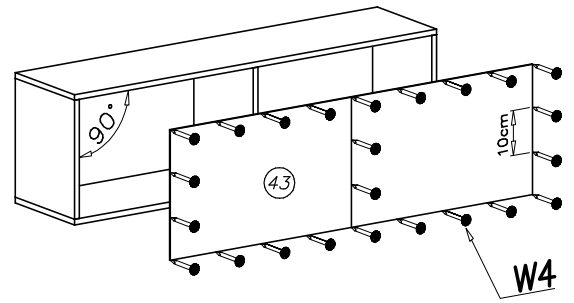


		G3  4x30 x6	K18  ø15x19 x2	L8  x2
K1  ø15x12 x14	G8  4x25 x6	B1  ø8x35 x22	G34  3,5x16 x8	
K5  x14	D3  PZ35PR x4	C3  Z35PR x4	W4  1,6x20 x30	E7  x2

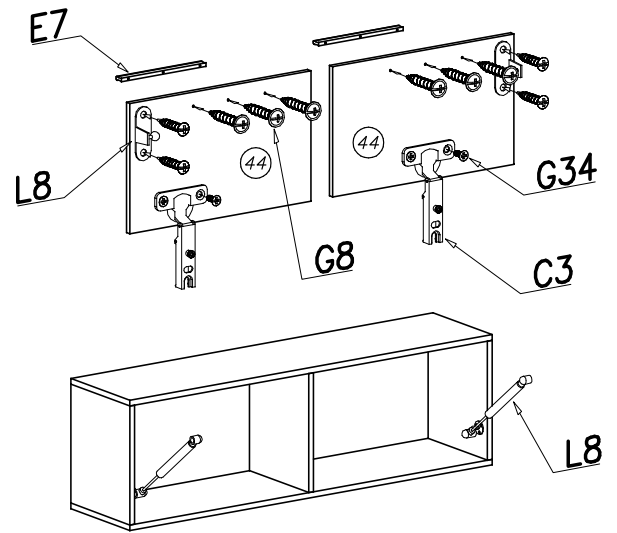
1



2



3



4

