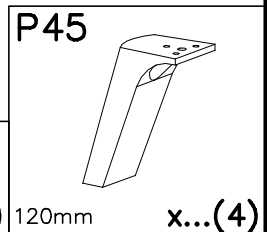
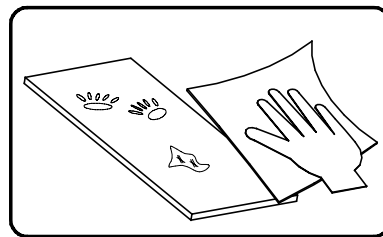
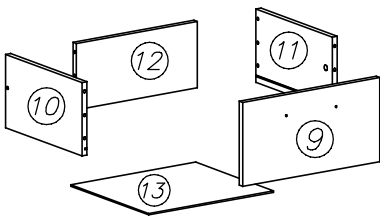
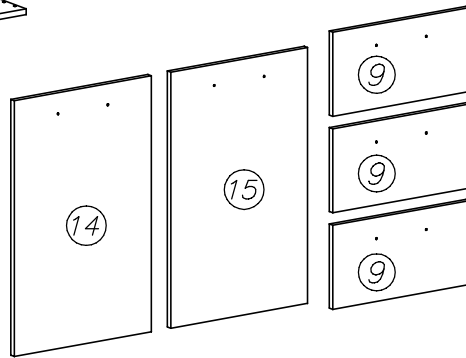
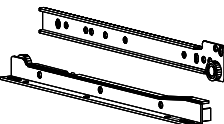

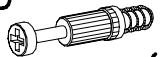
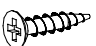

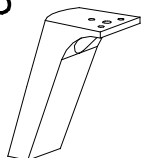
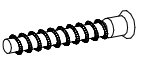


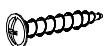
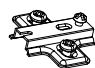
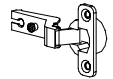


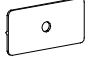
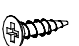


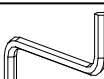

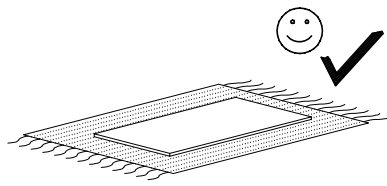


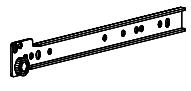
No.	L[mm]	W[mm]	T[mm]	Stc.
1	411	1382	16	1
2	411	1382	16	1
3	704	410	16	1
4	704	410	16	1
5	704	406	16	1
6	386	886	16	1
7	451	722	2,5	2
8	463	722	2,5	1
9	229	440	16	3
10	200	350	16	3
11	200	350	16	3
12	180	388	16	3
13	403	358	2,5	3
14	697	440	16	1
15	697	440	16	1

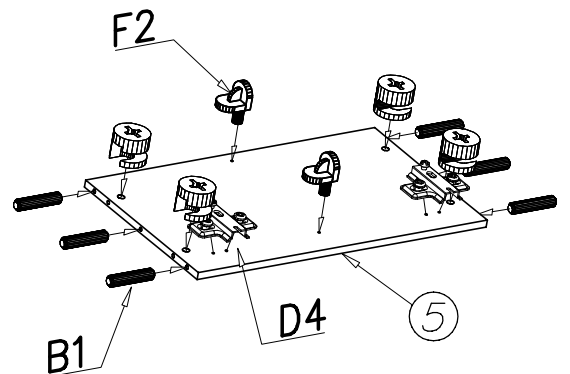
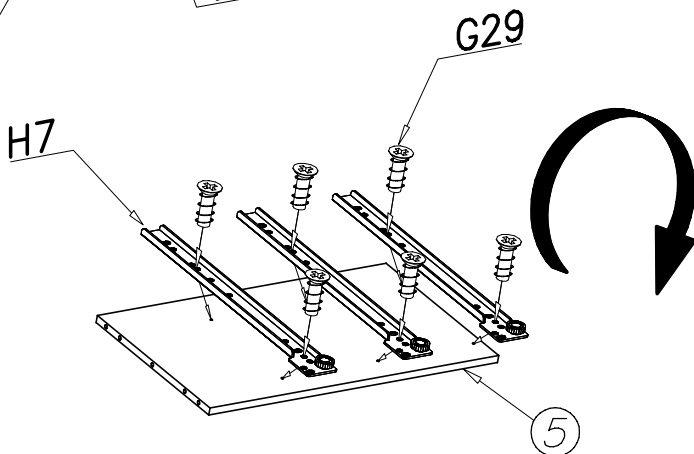
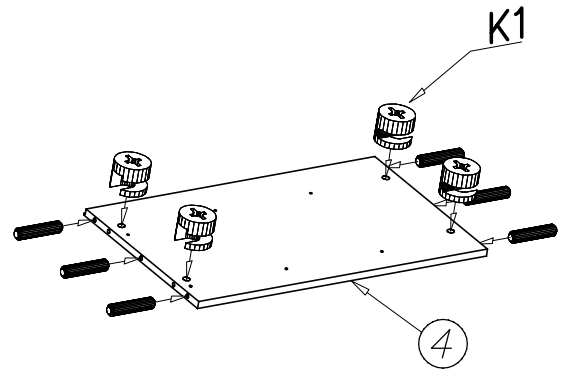
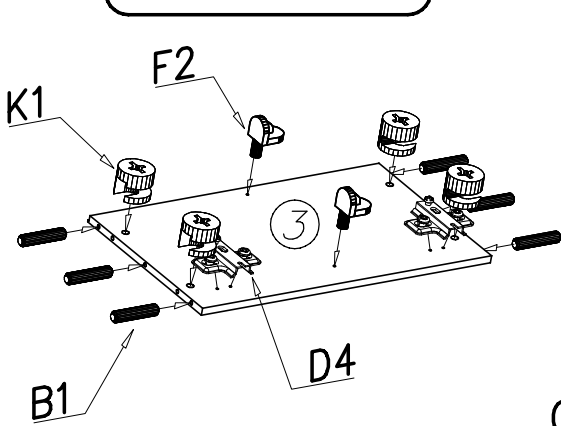
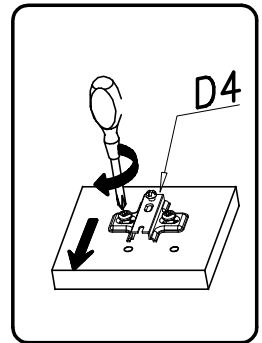
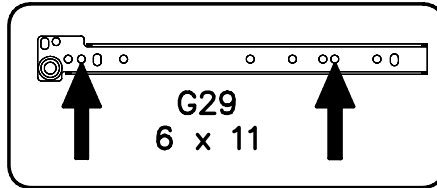
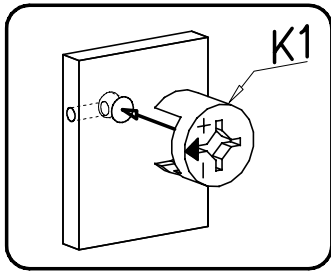
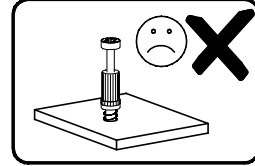
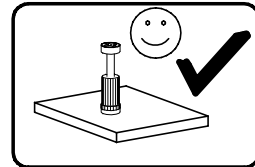
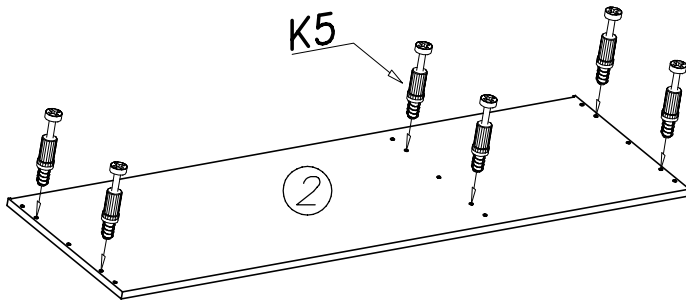
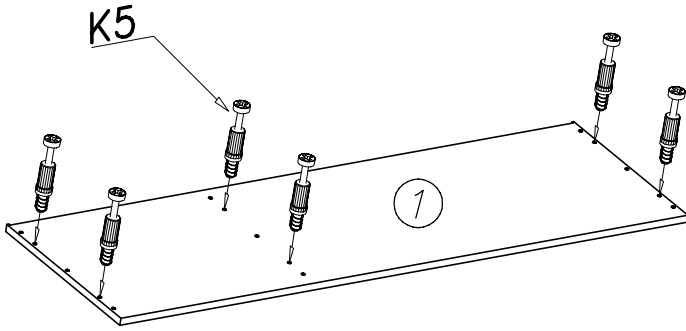


H7  x...(3)	K1  ø15x12 x...(18)	K5  x...(18)	G9  4x20 x...(12)	E17  160mm x...(5)	P45  120mm x...(4)
A1  ø7x50 x...(6)	G29  6x11 x...(12)	F1  x...(4)	G8  4x30 x...(10)	D4  x...(4)	C4  x...(4)
S1  x...(1)	B1  ø8x35 x...(42)	S17  x...(6)	G36  3,5x13 x...(12)	I12  x...(18)	W4  x...(70)
			W2  x...(1)	G4  4x16 x...(8)	

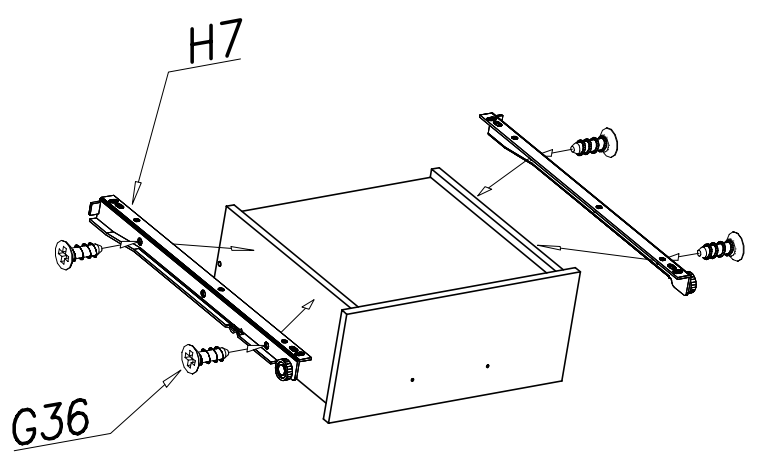
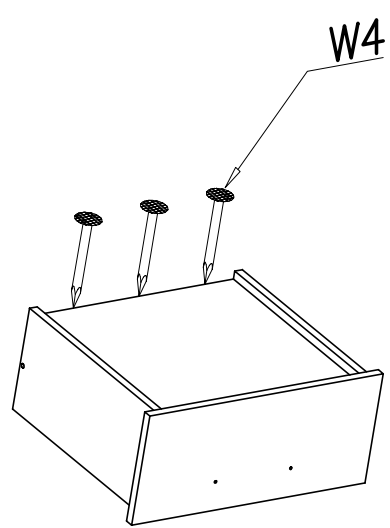
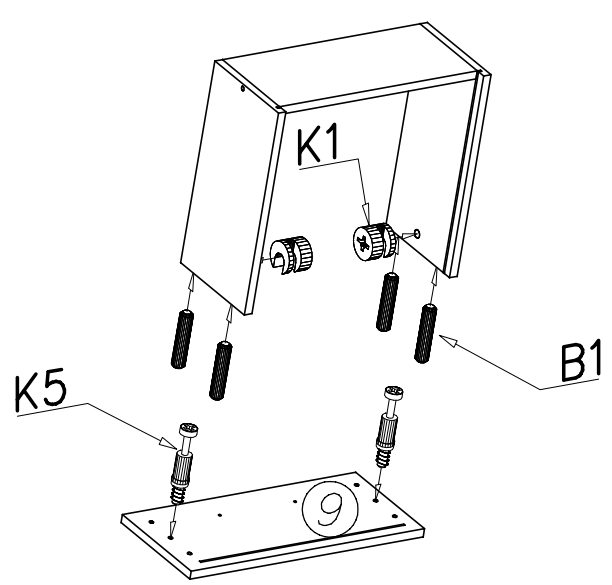
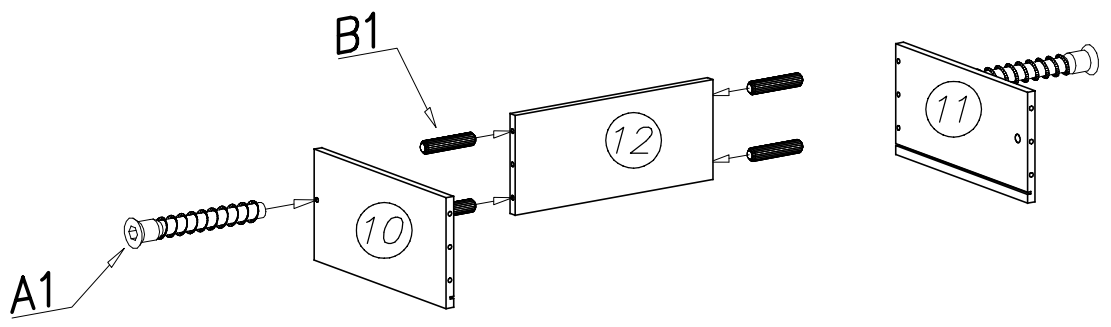
I



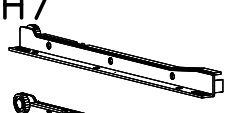
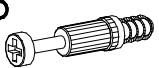

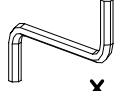

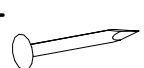


K1 ø15x12 x...(12)	K5 x...(12)
H7 L	D4 x...(4)
	B1 ø8x35 x...(18)
x...(3)	G29 6x11 x...(6)
	F1 x...(4)

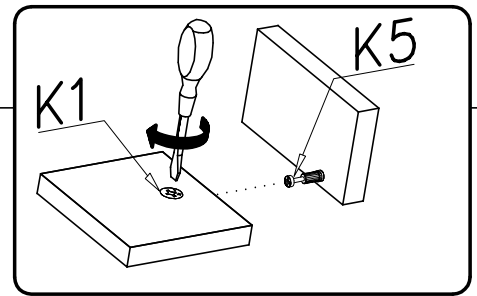
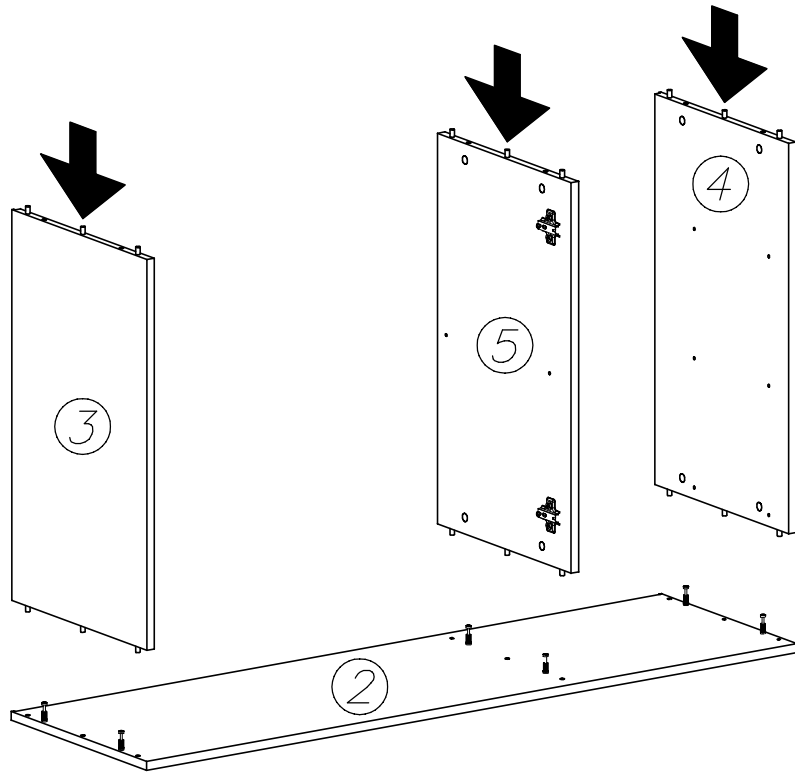


II x3

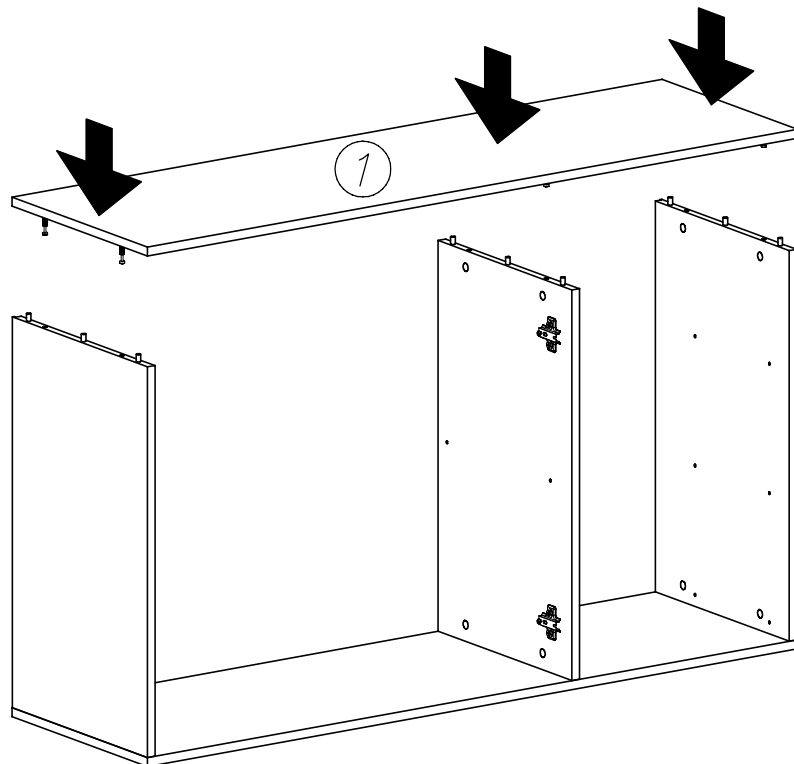


<p>A1</p>  <p>∅7x50 x...(6)</p>	<p>G36</p>  <p>3,5x13 x...(12)</p>	<p>H7</p>  <p>x...(3)</p>	<p>K5</p>  <p>x...(6)</p>	<p>B1</p>  <p>∅8x35 x...(24)</p>
<p>W2</p>  <p>x...(1)</p>	<p>K1</p>  <p>∅15x12 x...(6)</p>	<p>W4</p>  <p>x...(12)</p>		

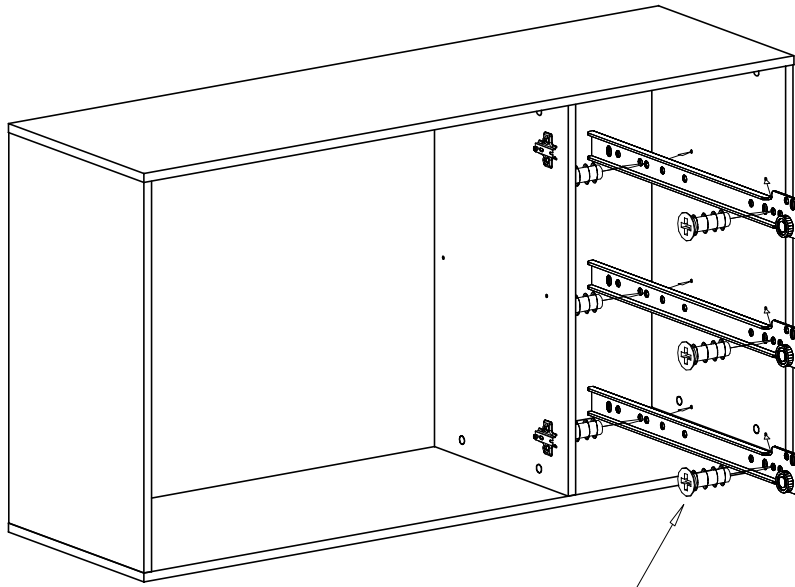
III



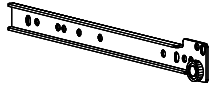
IV



V



H7 R



x...(3)

G29



6x11

x...(6)

H7

G29



VI

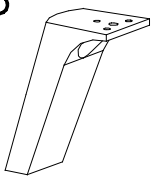
G9



4x20

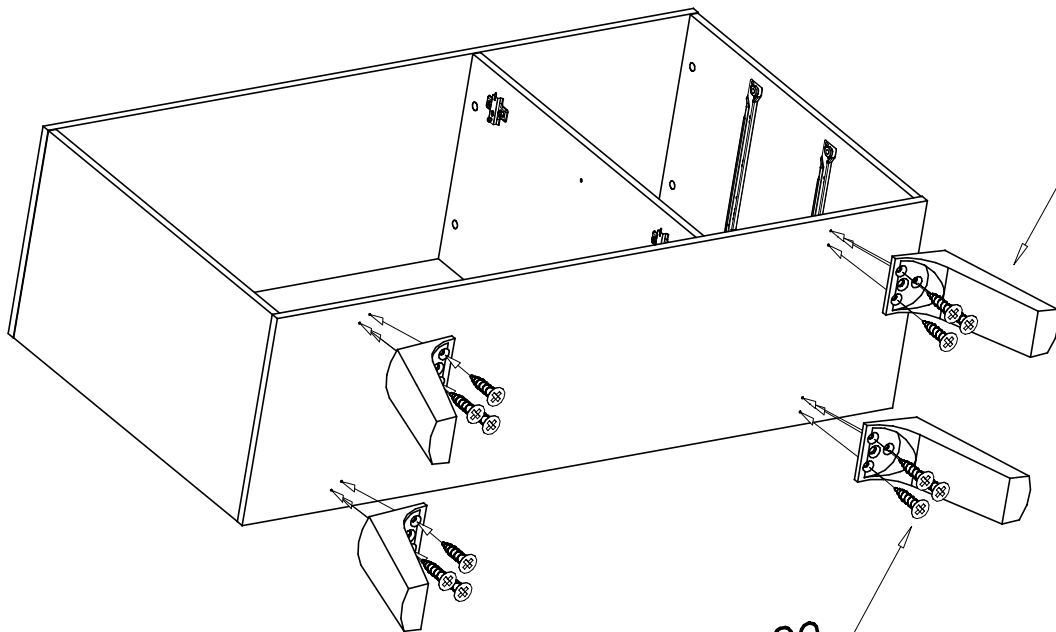
x...(12)

P45



120mm

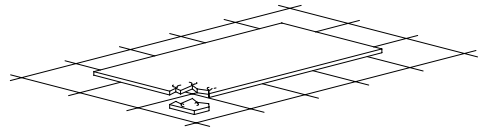
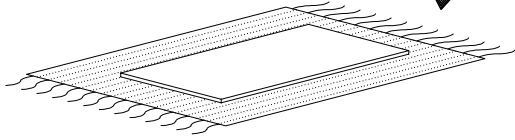
x...(4)



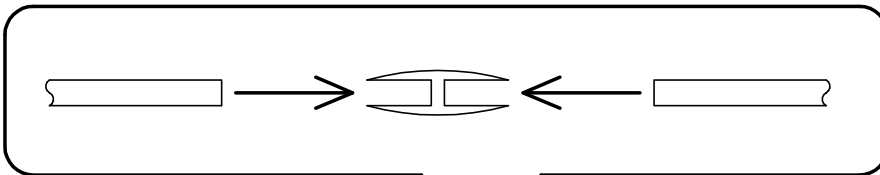
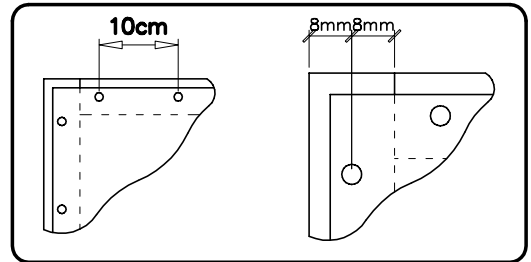
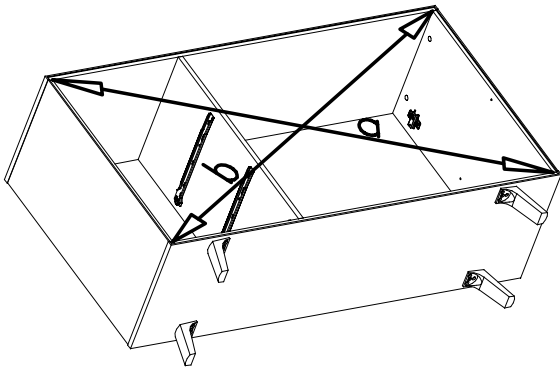
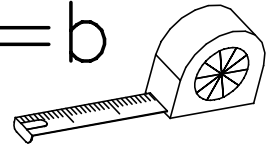
P45

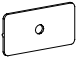


G9

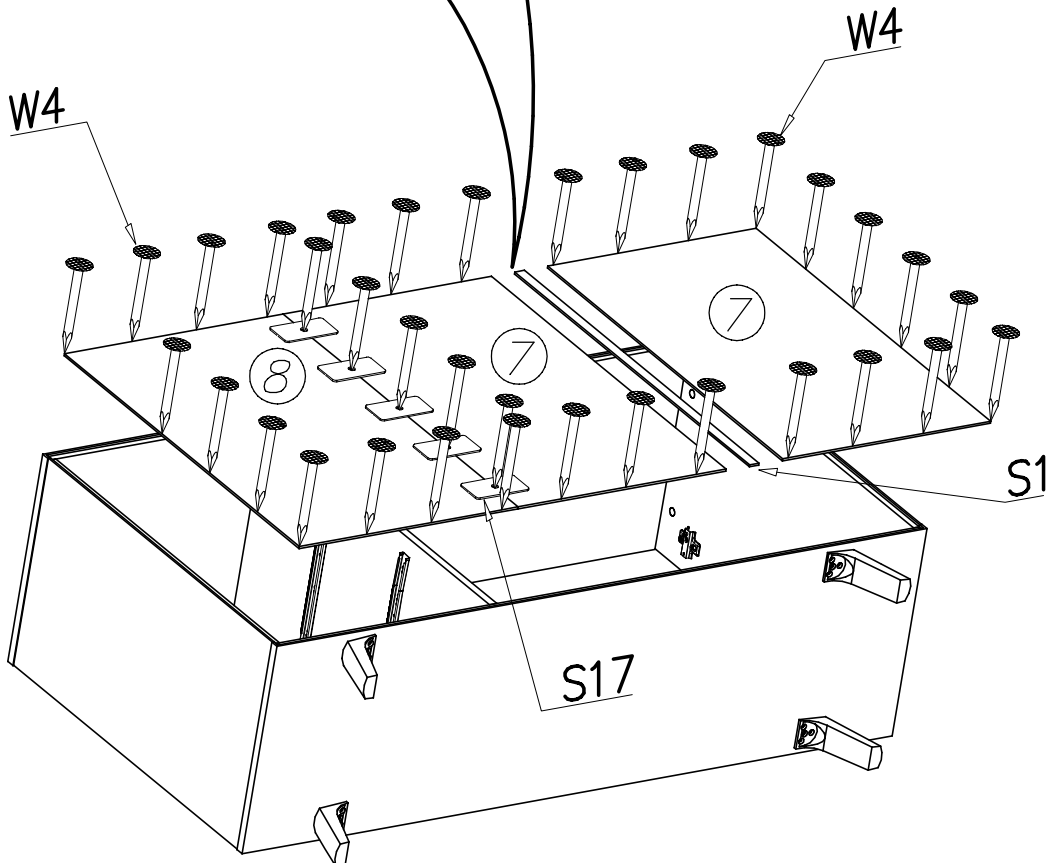
VII



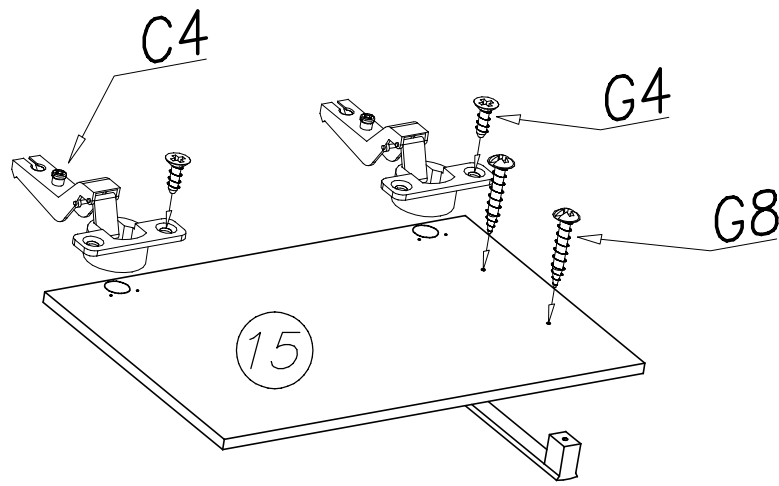
$a = b$



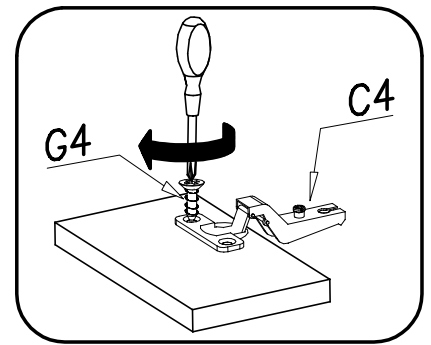
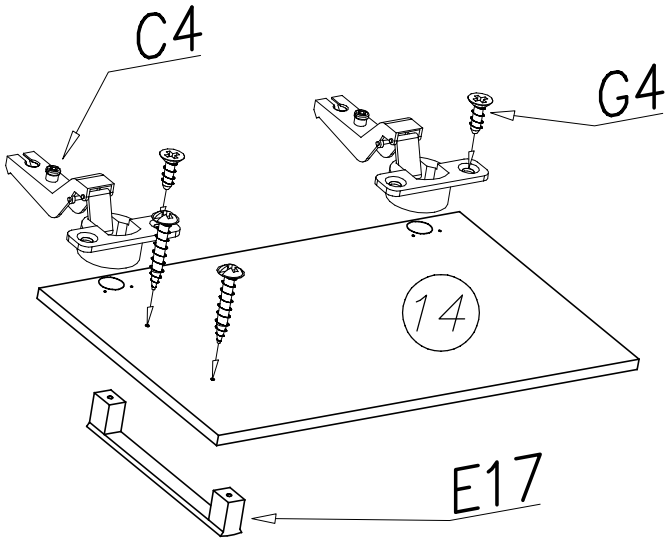
- S17  x...(6)
- S1  x...(1)
- W4  x...(58)



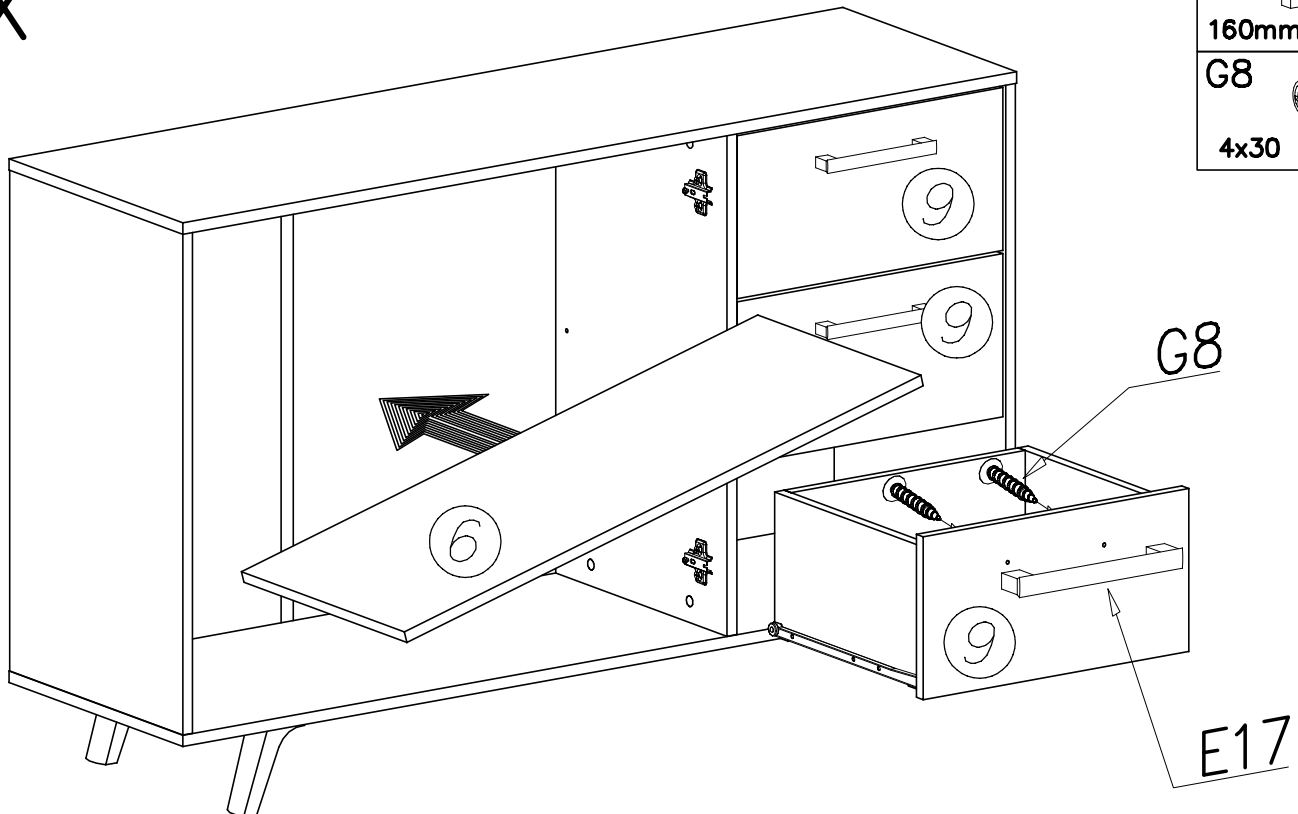
VIII



C4		x...(2)
G4		4x16 x...(8)
E17		160mm x...(2)
G8		4x30 x...(4)



IX



E17		160mm x...(3)
G8		4x30 x...(6)

X

I12



x...(18)

