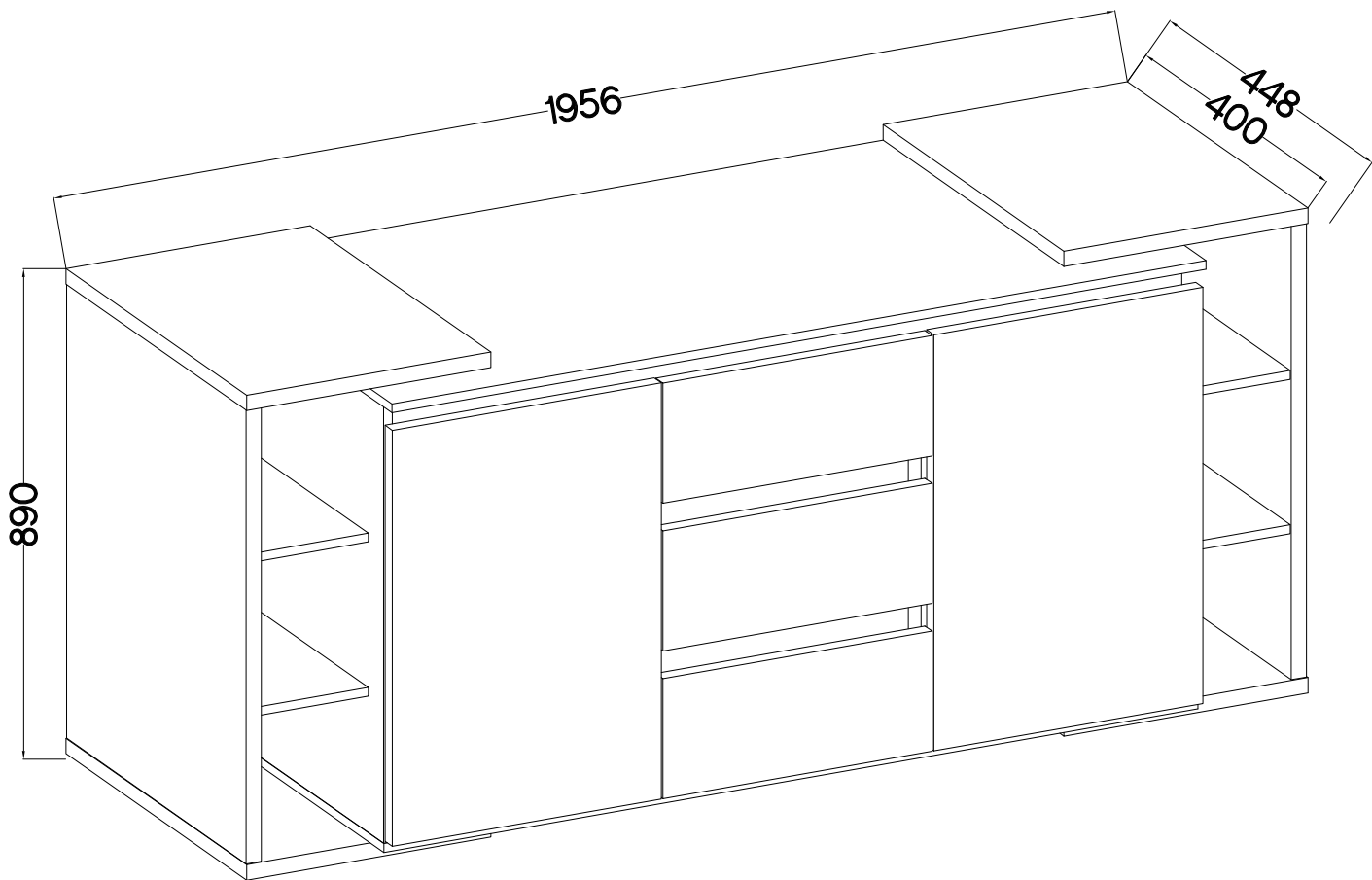
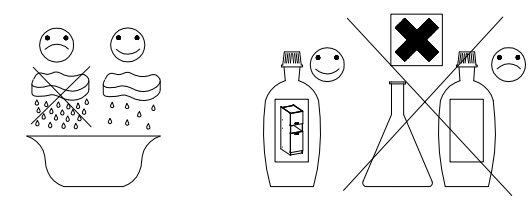
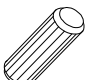
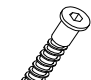




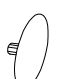


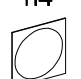





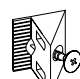
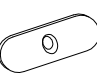








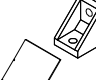



150 min


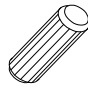



$\pm 8 \times 30 \text{mm}$  A	$6,4 \times 50 \text{mm}$  B	$\pm 6 \times 42 \text{mm}$  B2	$\pm 15 / 12 \text{mm}$  C	$\pm 12 / 10 \text{mm}$  C5
60	6	6	46	6

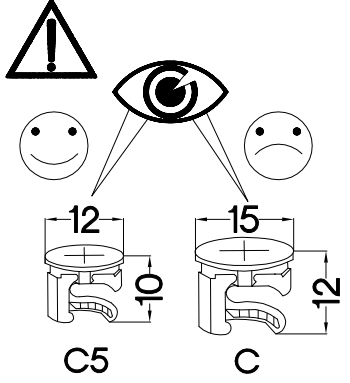
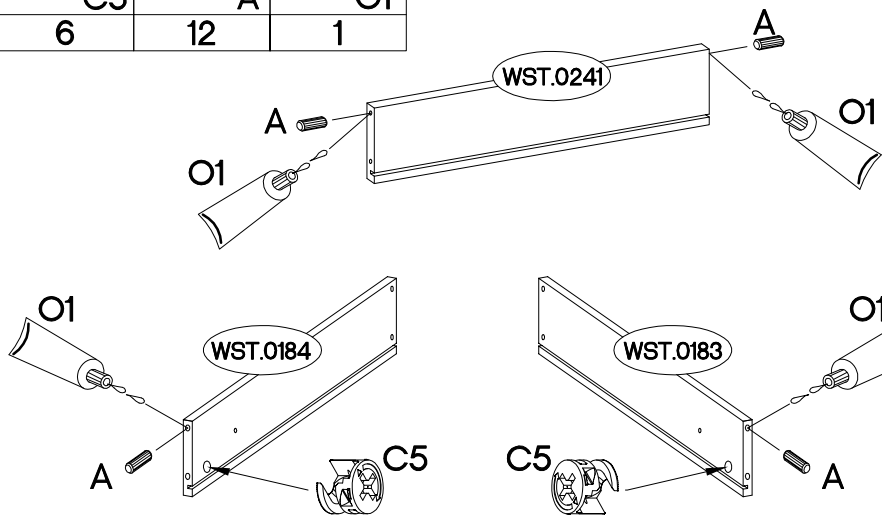
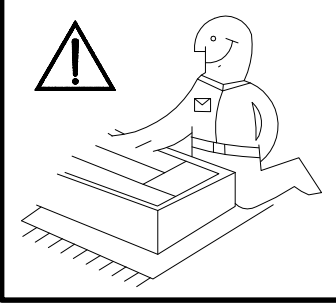
$L=20 \text{mm}$  D2	 E ant.	 E szar.	 E1	 E13	$60 \times 49 \times 10$  F28	$\pm 35 / 0 \text{mm}$  HG	$27 / 310 \text{mm}$  I4	$\pm 5 / 16 \text{mm}$  J3	$\pm 6,3 \times 13 \text{mm}$  M2	 L
52	14	28	4	4	8	4	3	8	12	24
 L2	 L9	 O	 O1	$\pm 10 \times 50 \text{mm}$  O7	$\pm 4,0 \times 16 \text{mm}$  P1	$\pm 3,5 \times 13 \text{mm}$  P5	$\pm 3,0 \times 20 \text{mm}$  P7	$\pm 3,5 \times 25 \text{mm}$ BLACK  P25	 T3	$M4 \times 9 \text{mm}$  U1
10	2	1	1	2	20	10	10	8	2	6





1

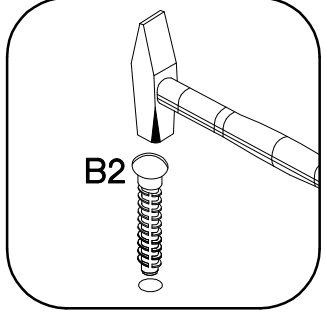
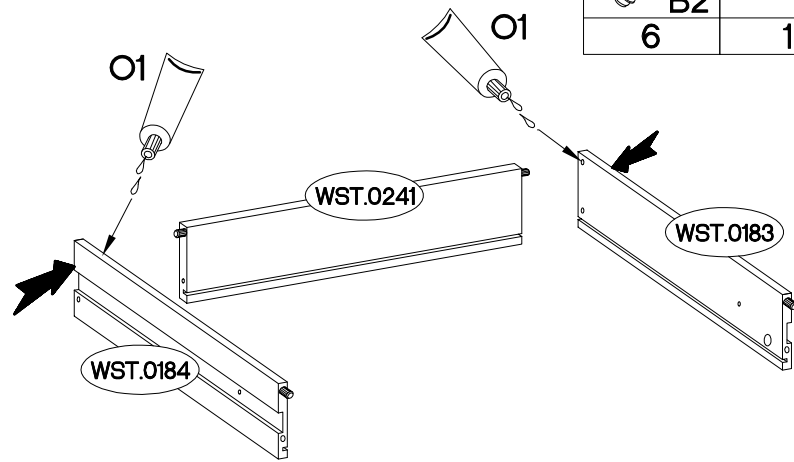
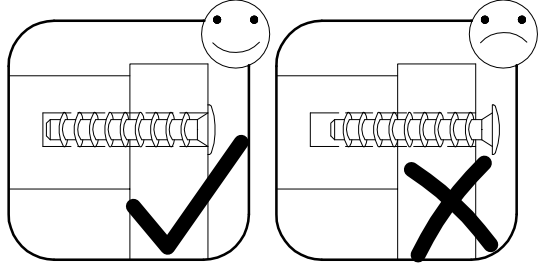
±12/10mm  C5 6	±8x30mm  A 12	 O1 1
---	--	---

x3

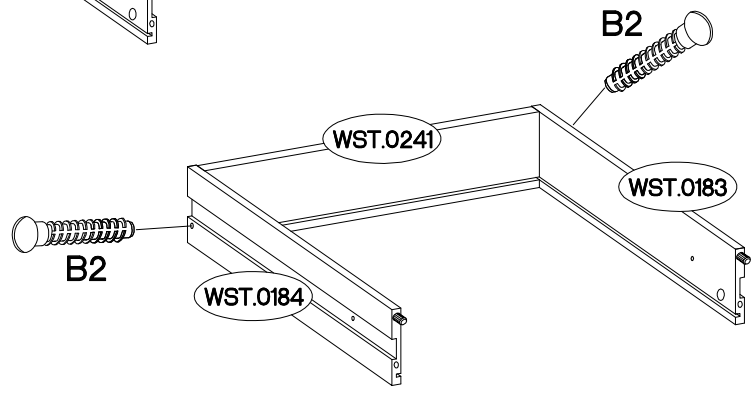


2

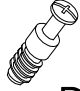
±6x42mm  B2 6	 O1 1
---	--

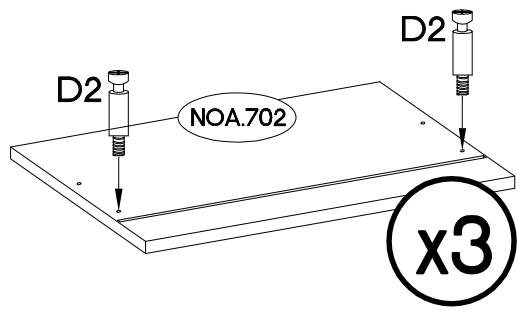
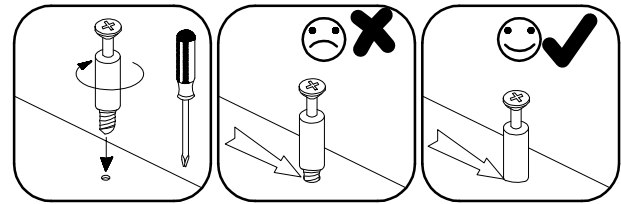


x3



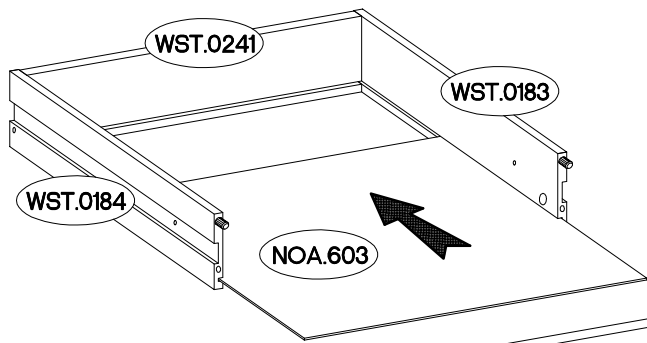
3

L=20mm  D2 6
--

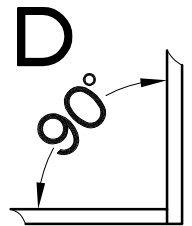
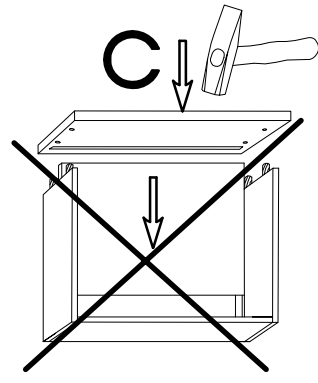
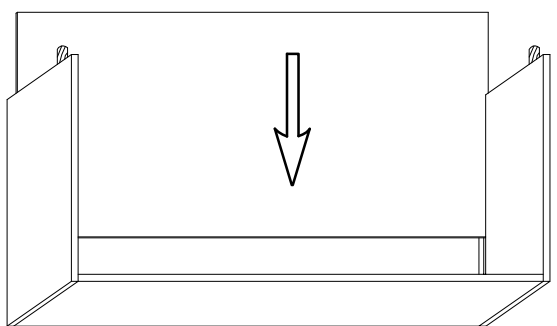
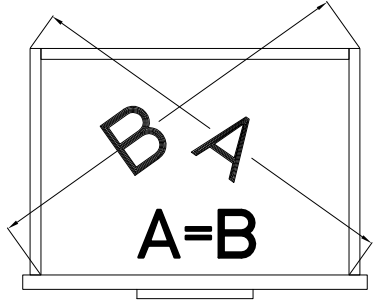
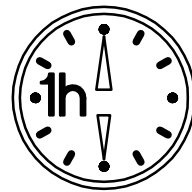
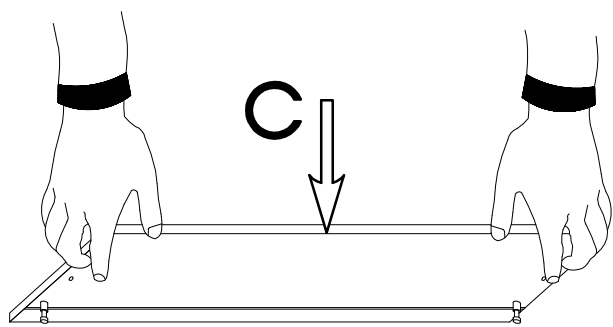
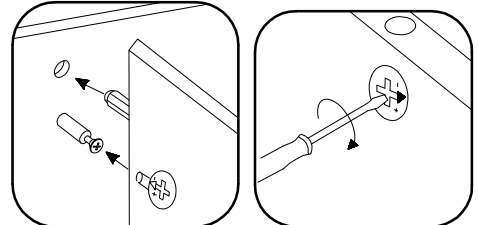
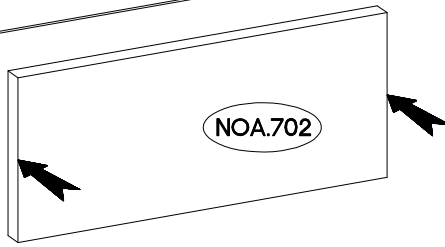
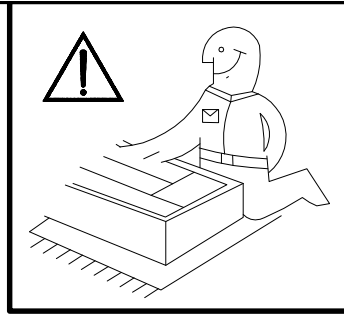


x3

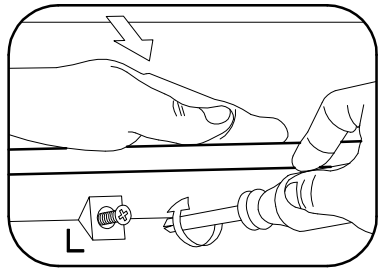
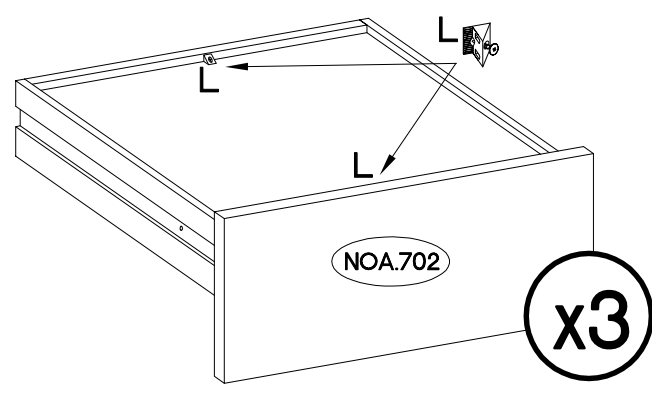
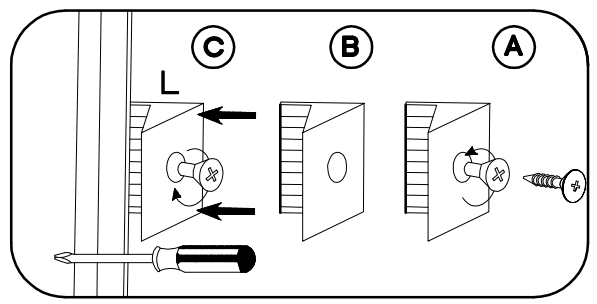
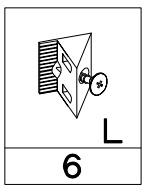
4






x3

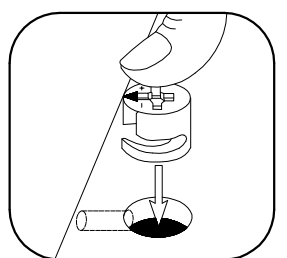
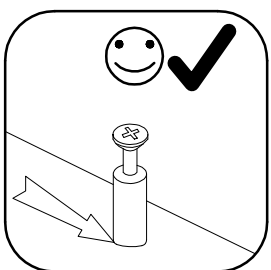
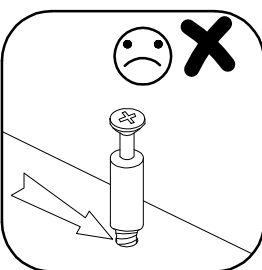
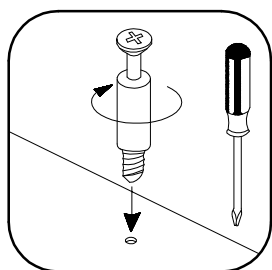
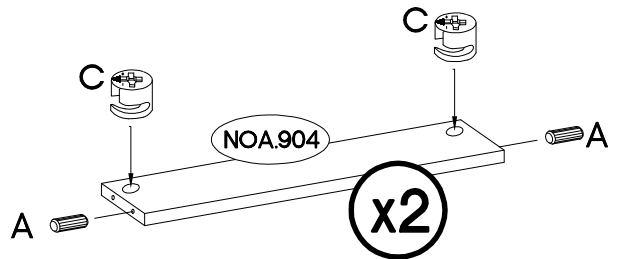
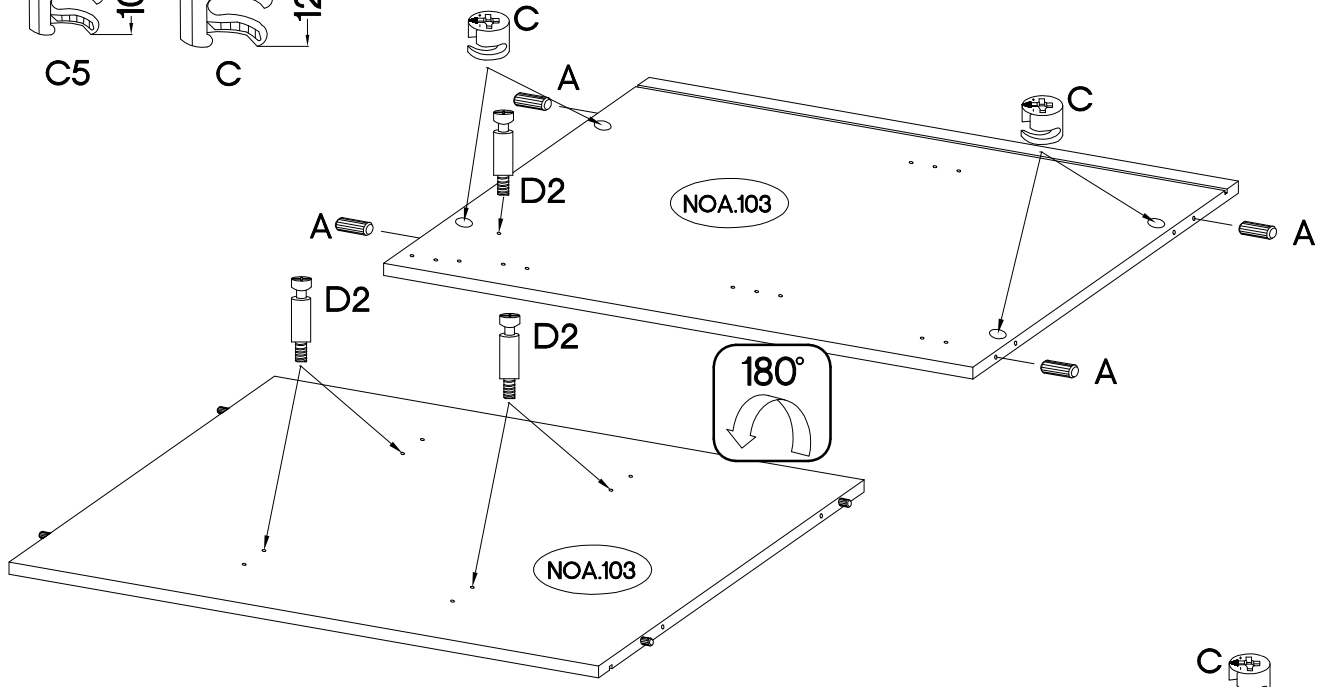
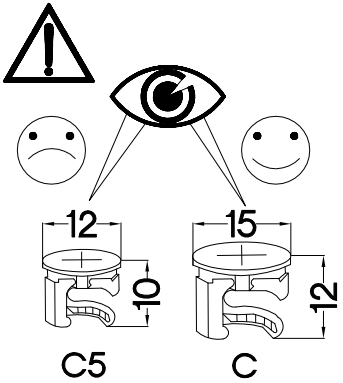
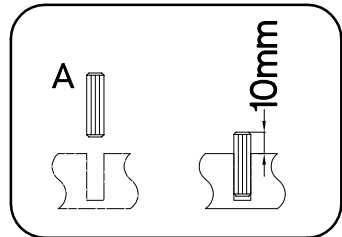
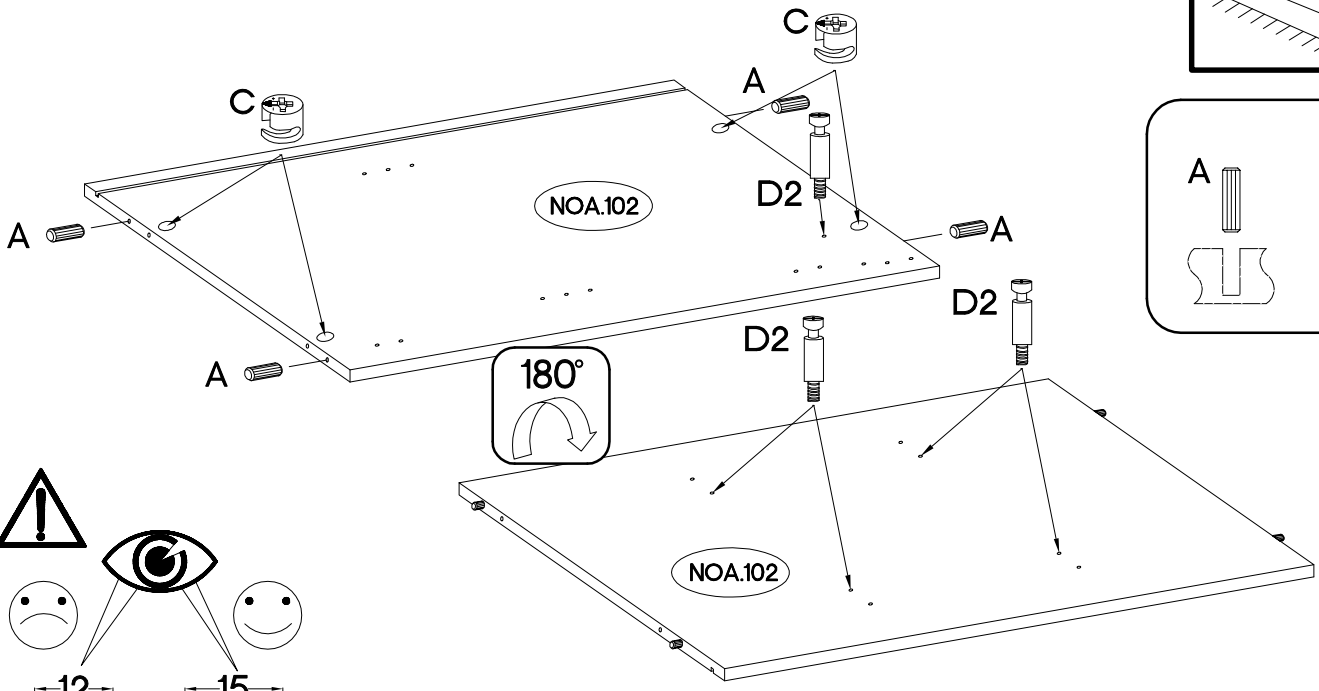
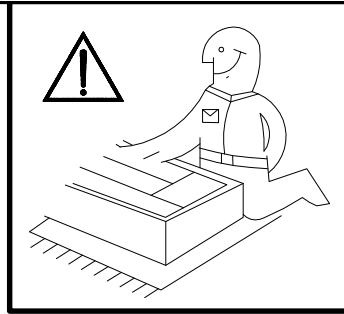


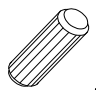
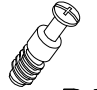

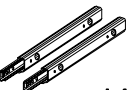

5

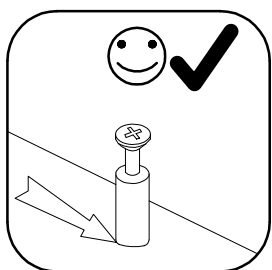
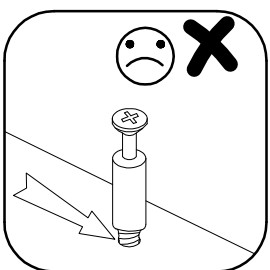
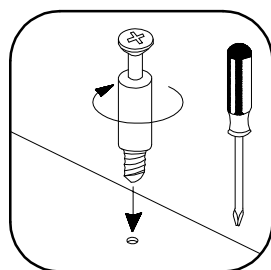
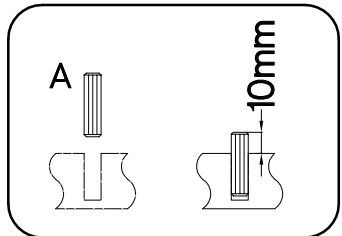
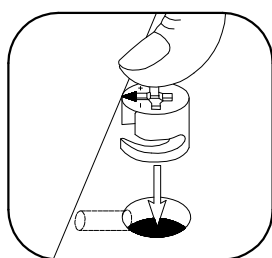
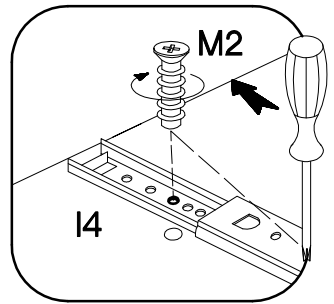
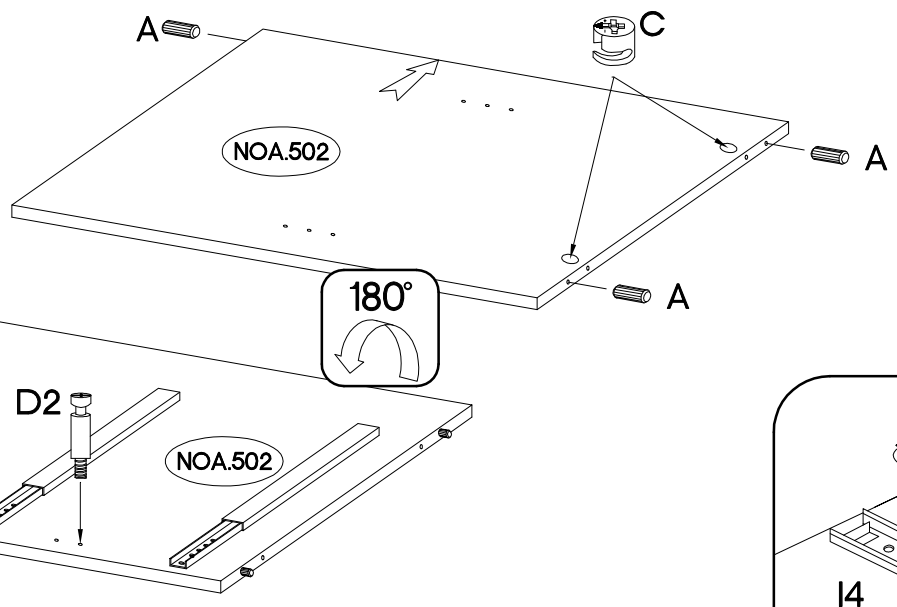
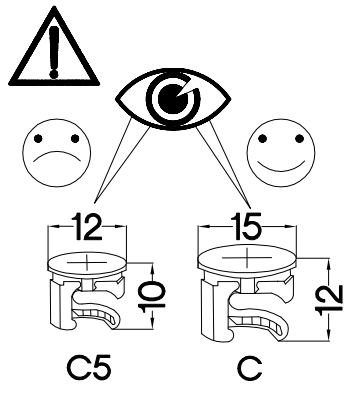
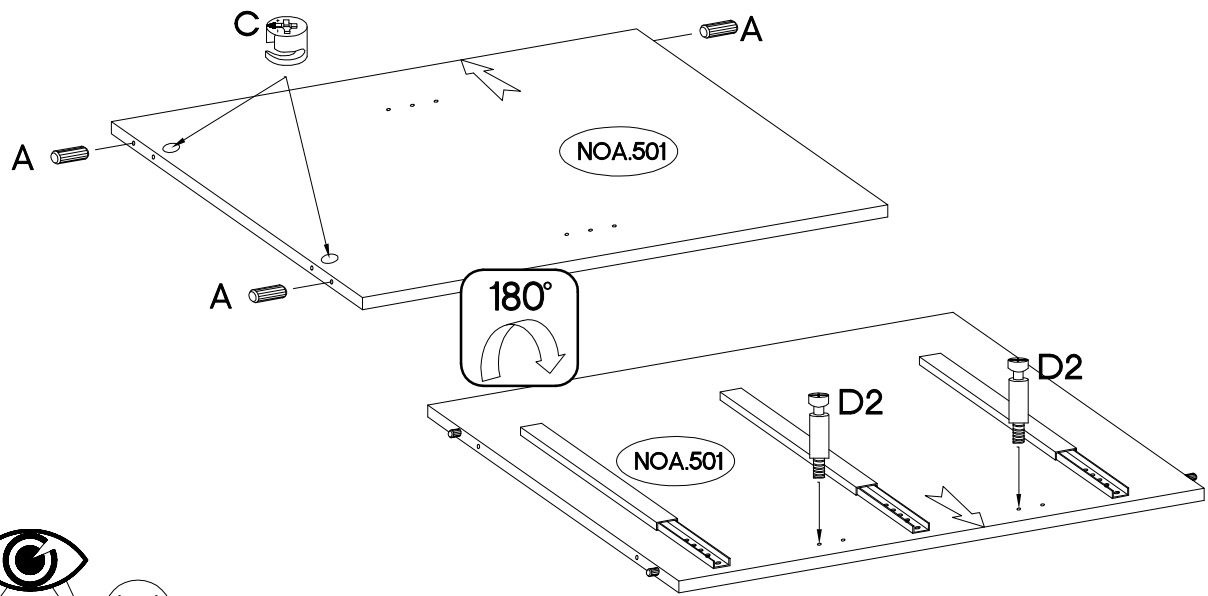
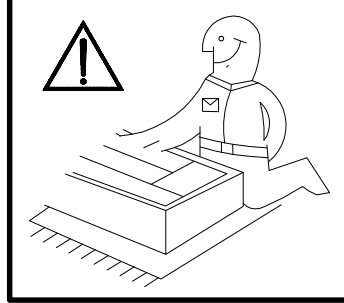


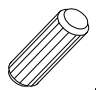
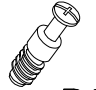

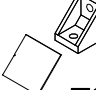



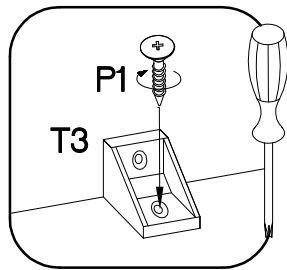
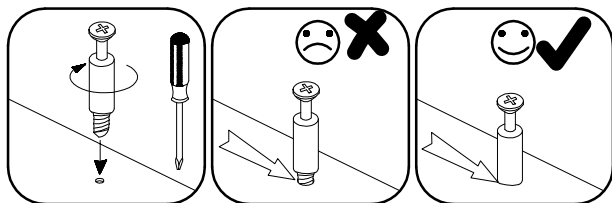
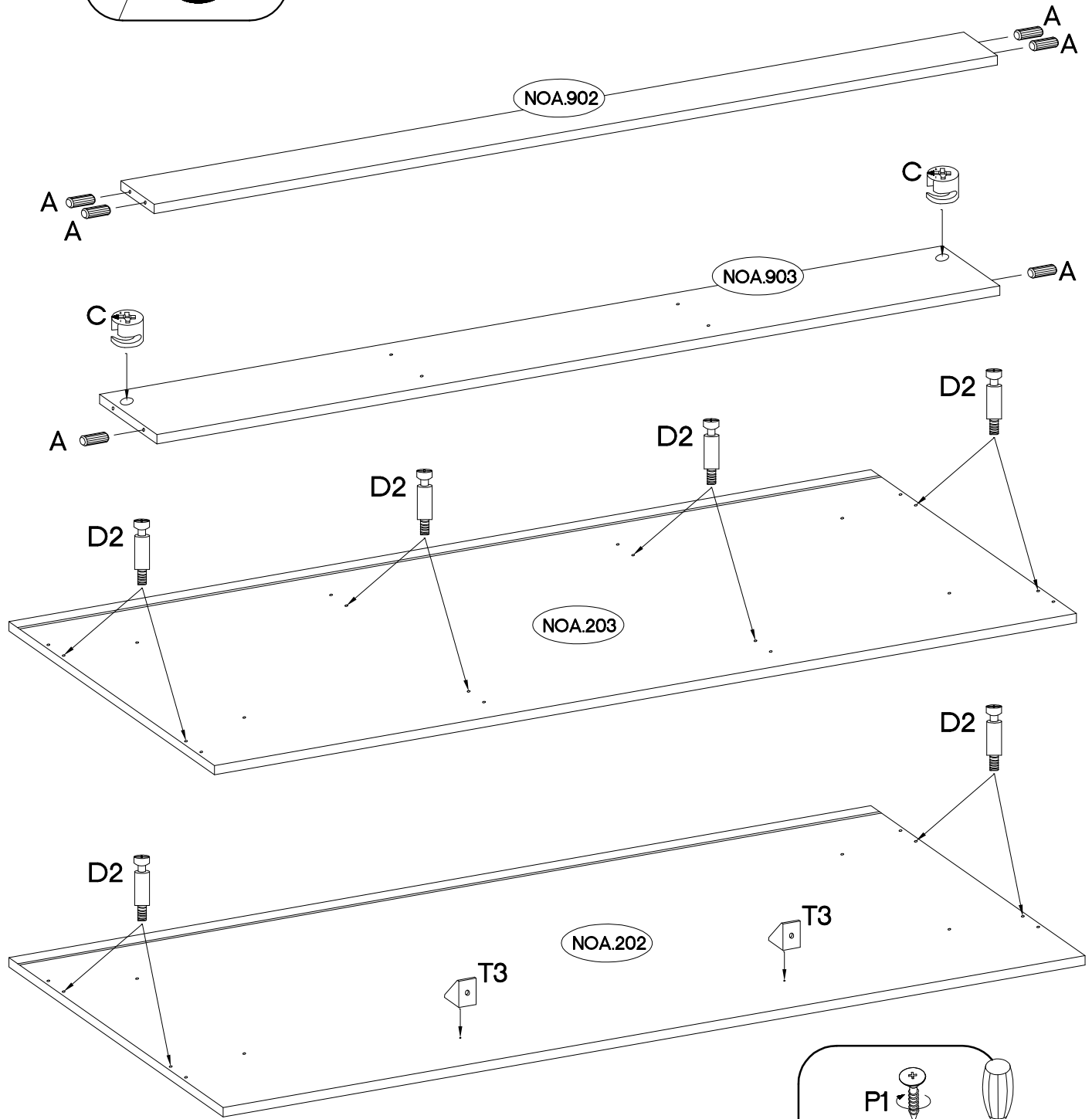
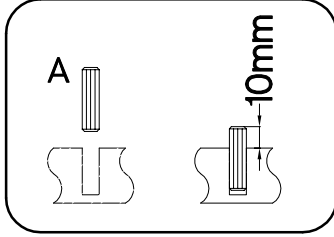
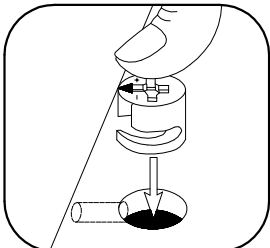
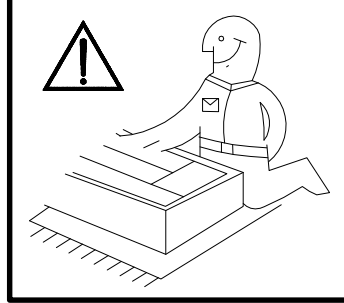
 <p>±8x30mm A</p>	 <p>L=20mm D2</p>	 <p>±15/12mm C</p>
12	10	12



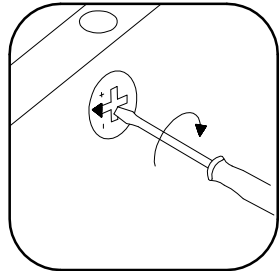
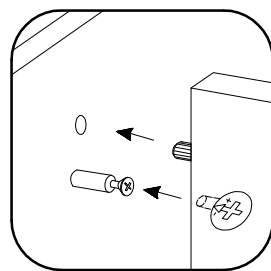
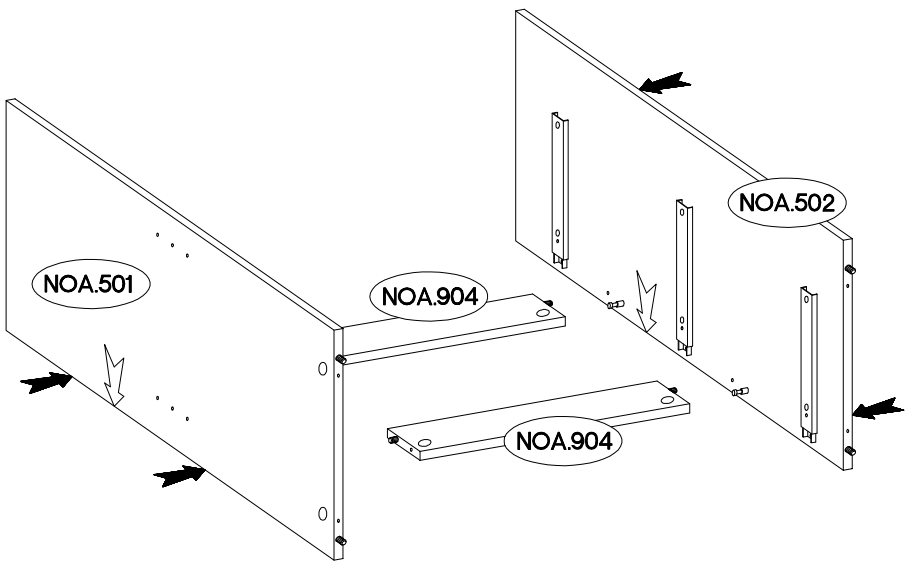
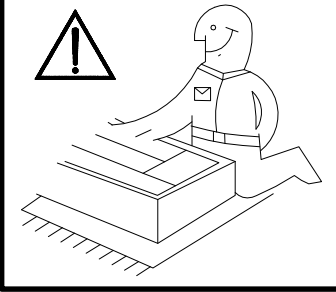
$\varnothing 8 \times 30 \text{mm}$  A 6	L=20mm  D2 4	$\varnothing 15/12 \text{mm}$  C 4	27/310mm  I4 3	$\varnothing 6,3 \times 13 \text{mm}$  M2 12
---	---	---	---	---



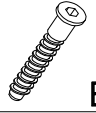

 <p>8x30mm A</p>	 <p>L=20mm D2</p>	 <p>15/12mm C</p>	 <p>T3</p>	 <p>4.0x16mm P1</p>
6	12	2	2	2

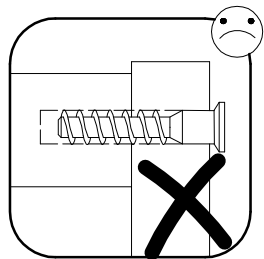
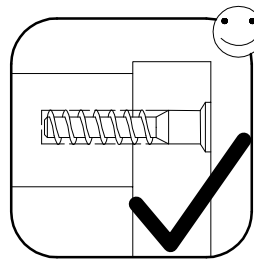
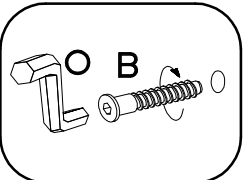
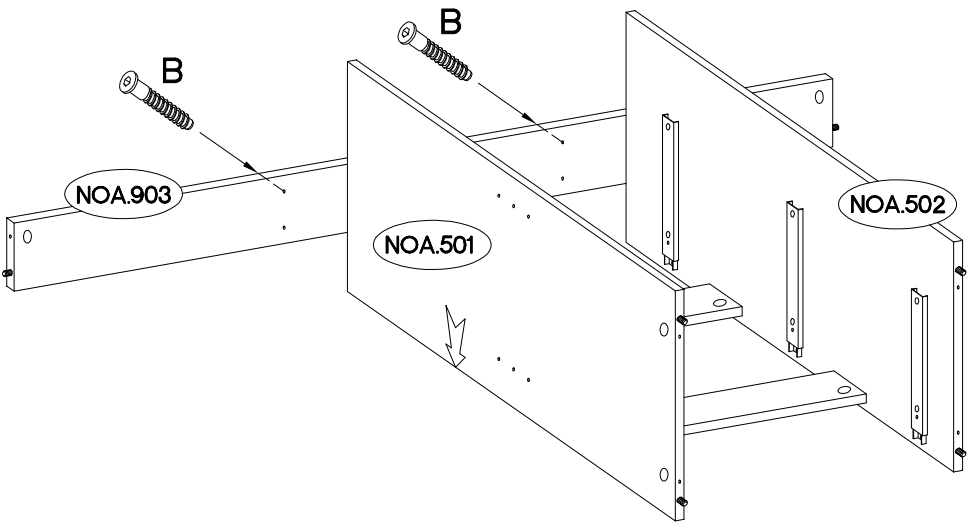


9

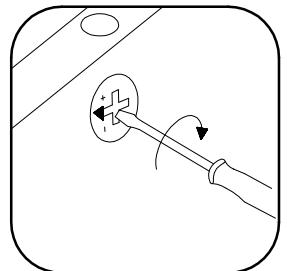
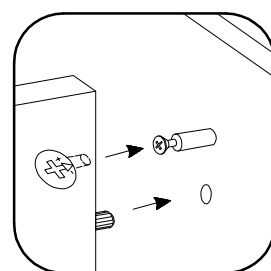
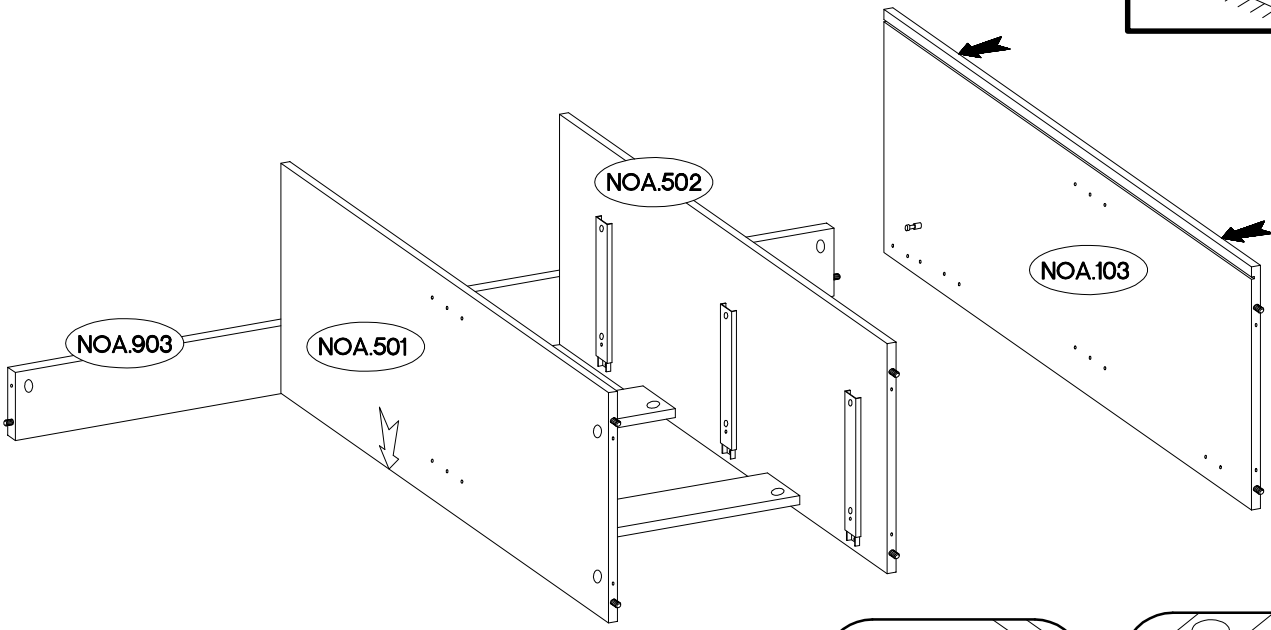
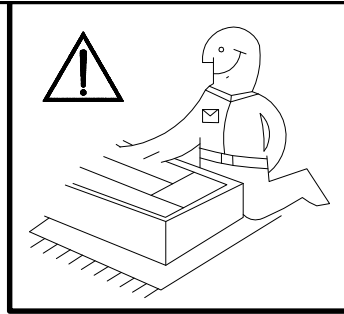


10

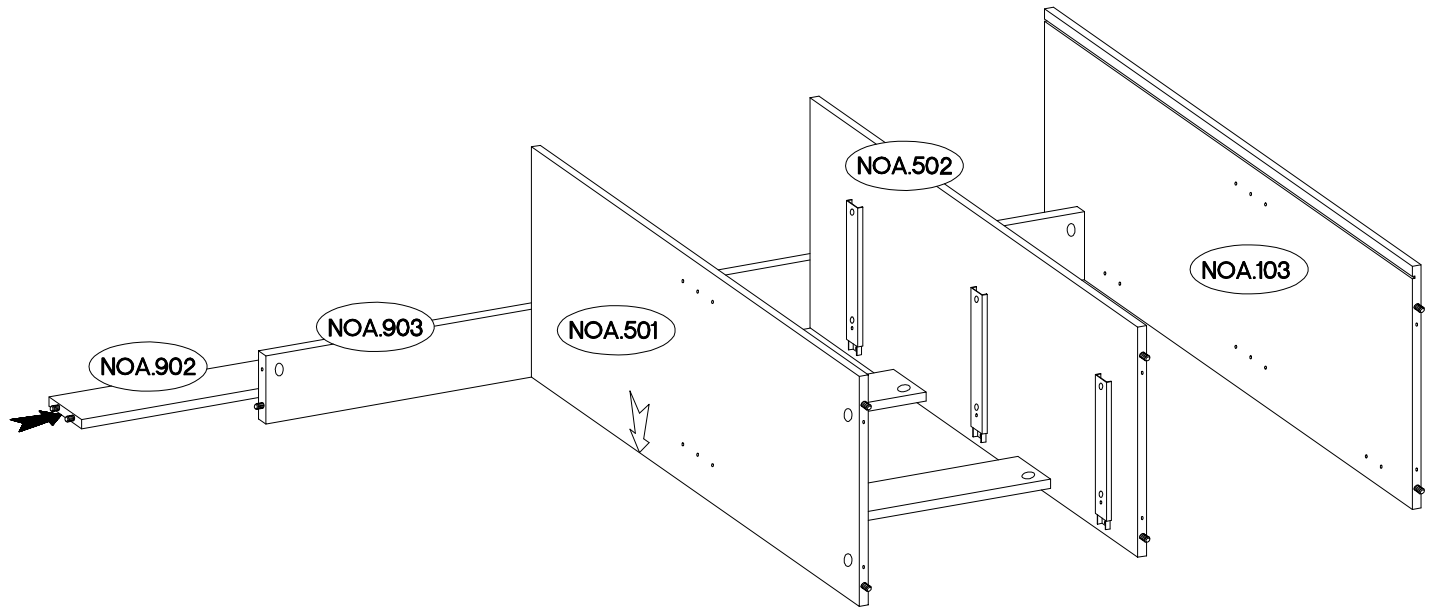
6,4 x 50mm	
	
B	O
2	1



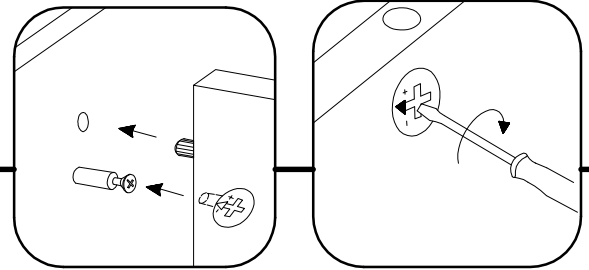
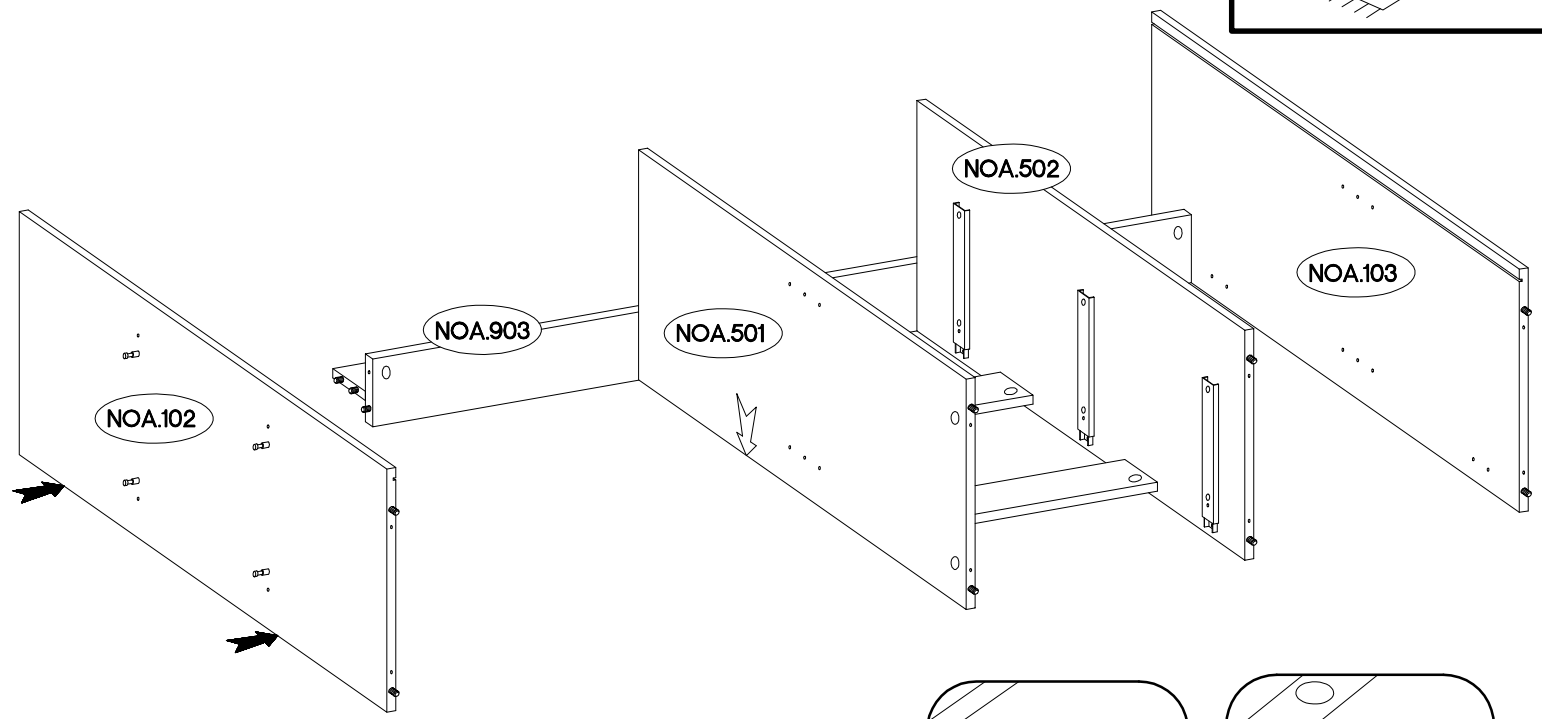
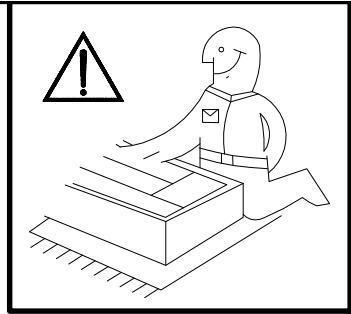
11



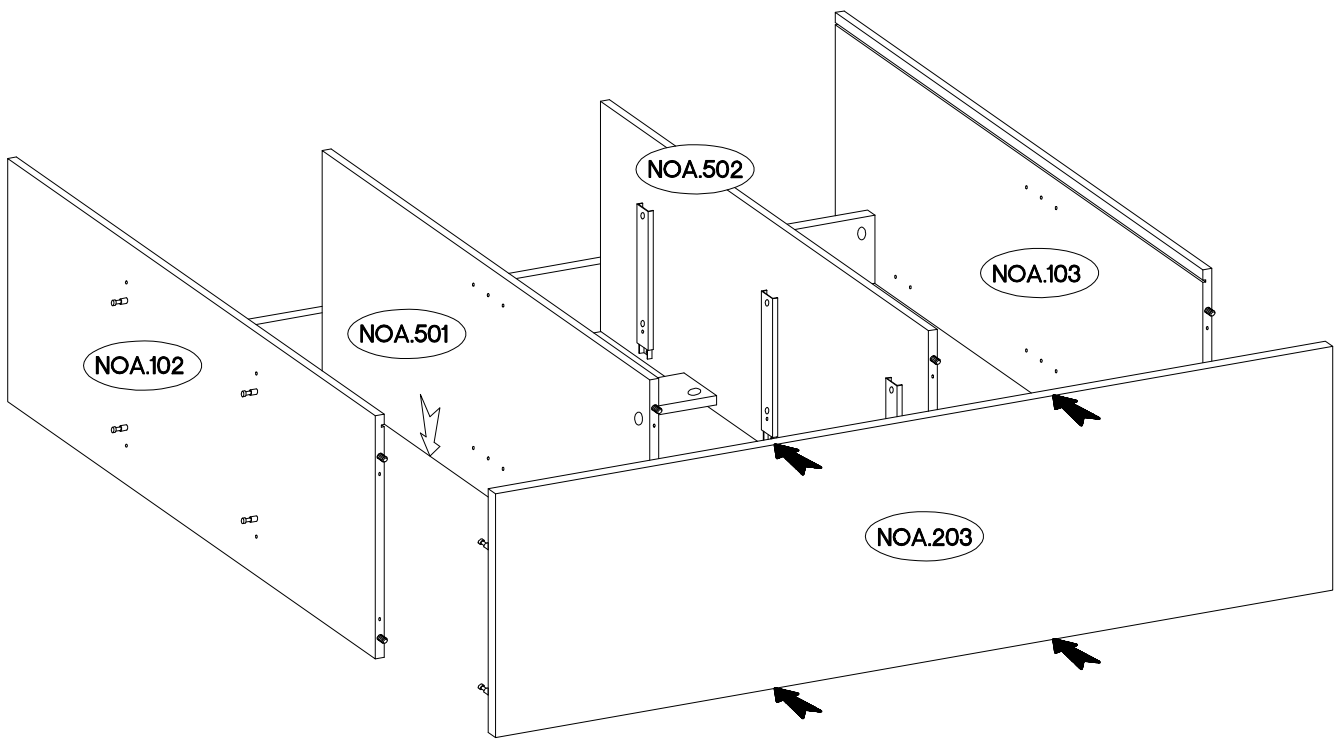
12



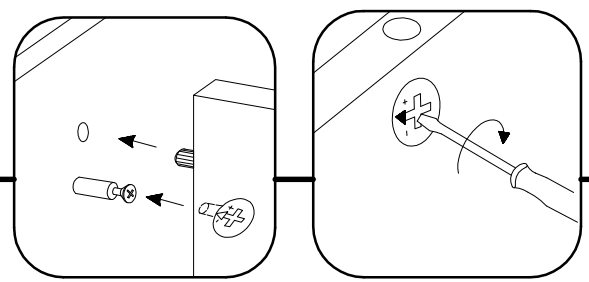
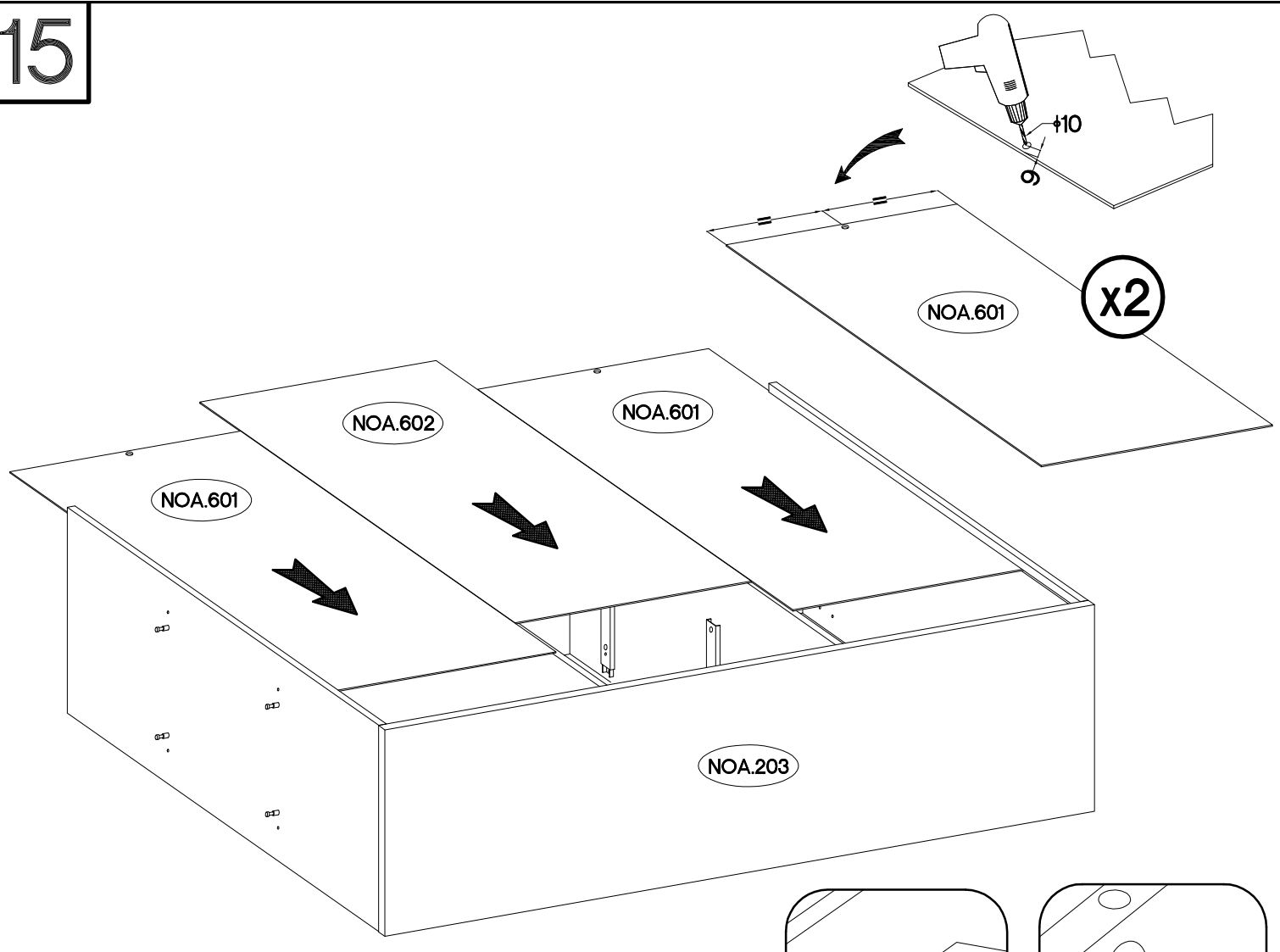
13



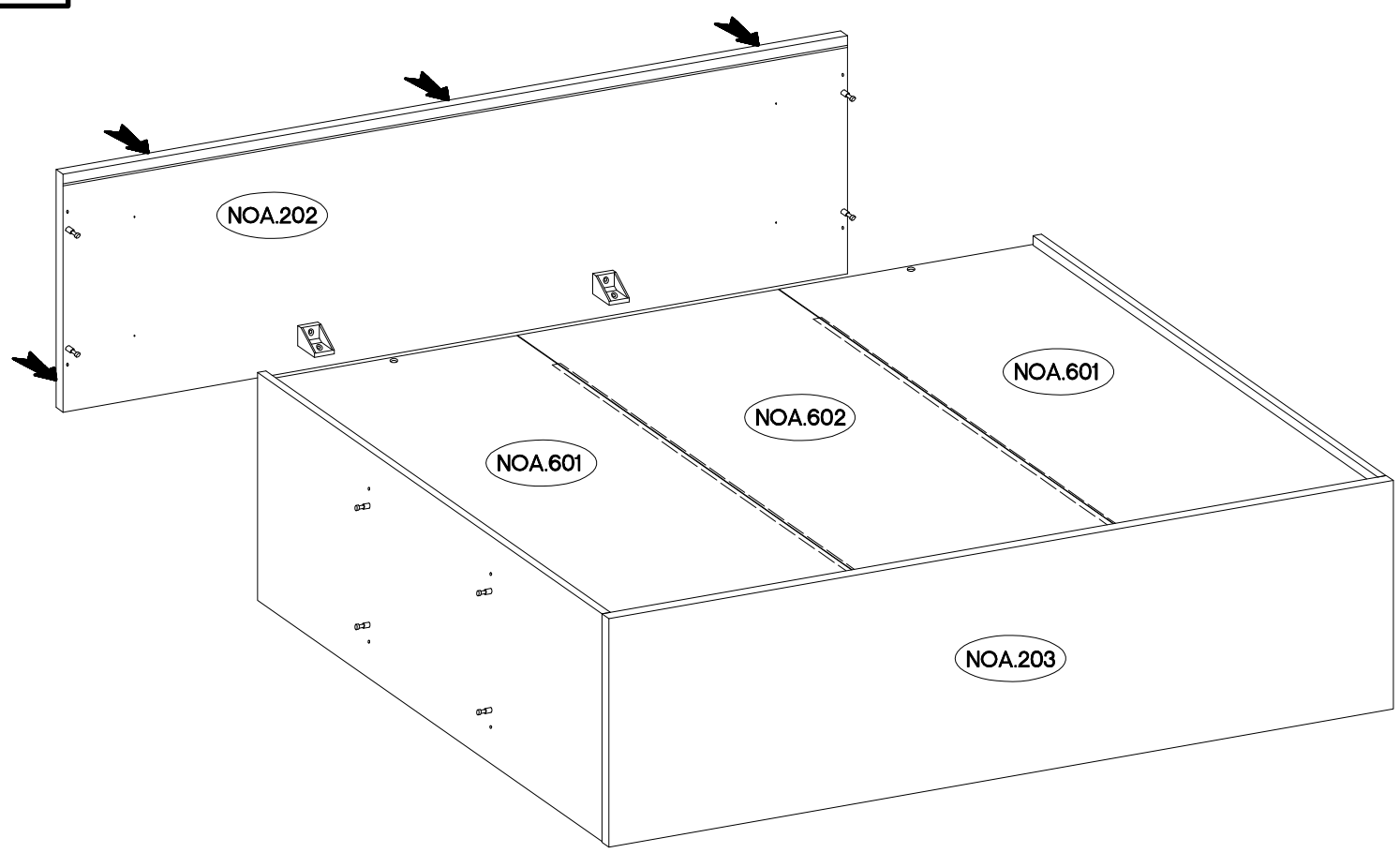
14


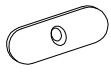
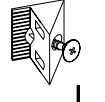


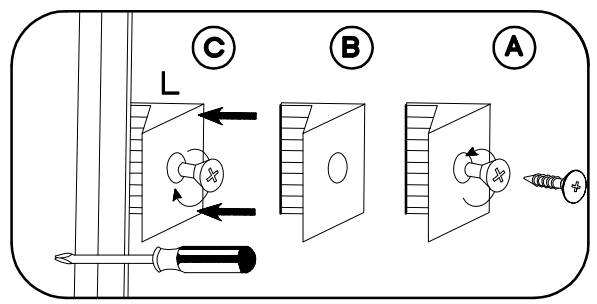
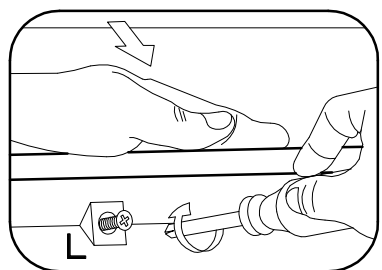
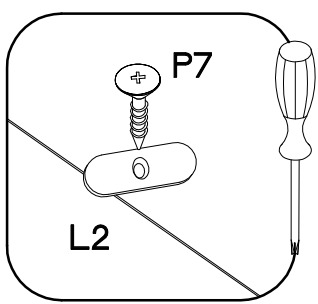
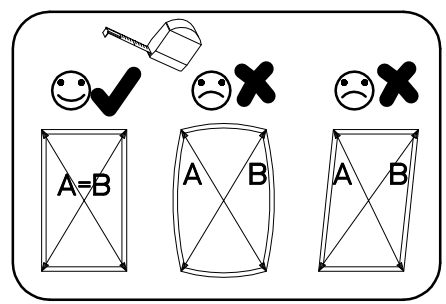
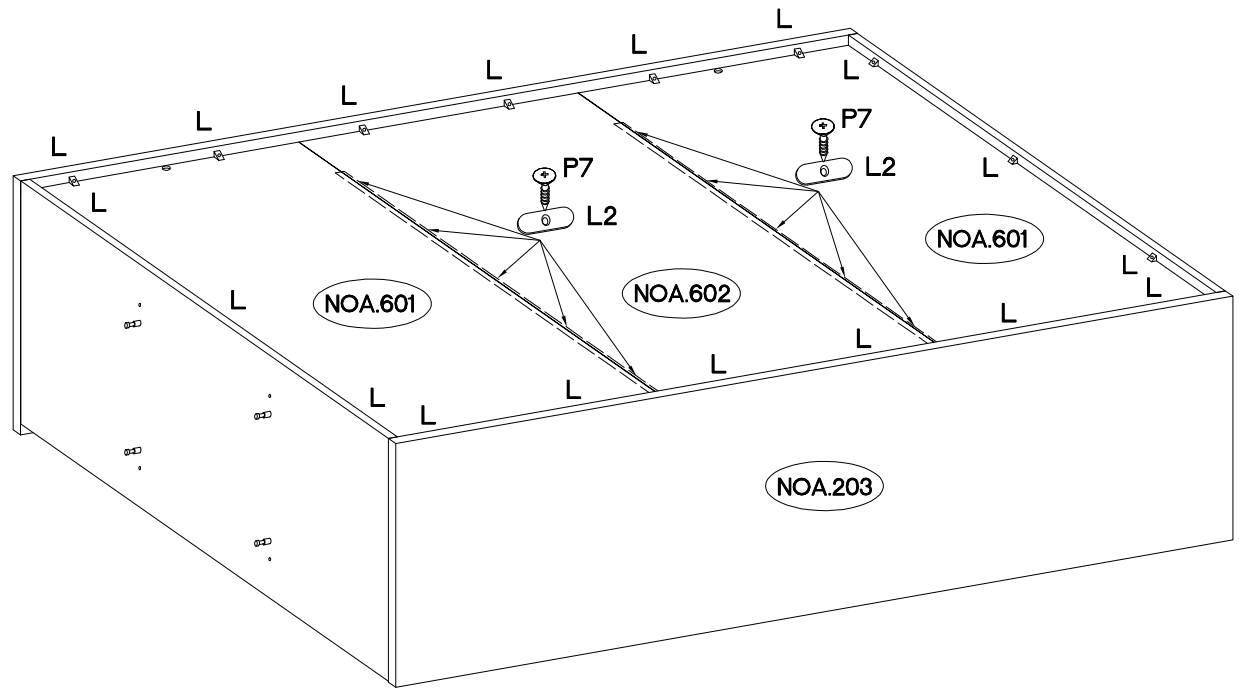
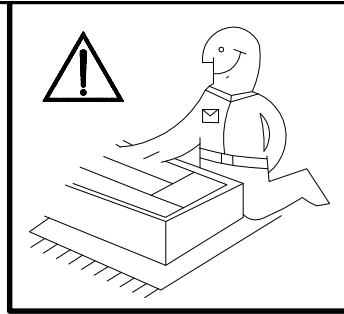
15




16

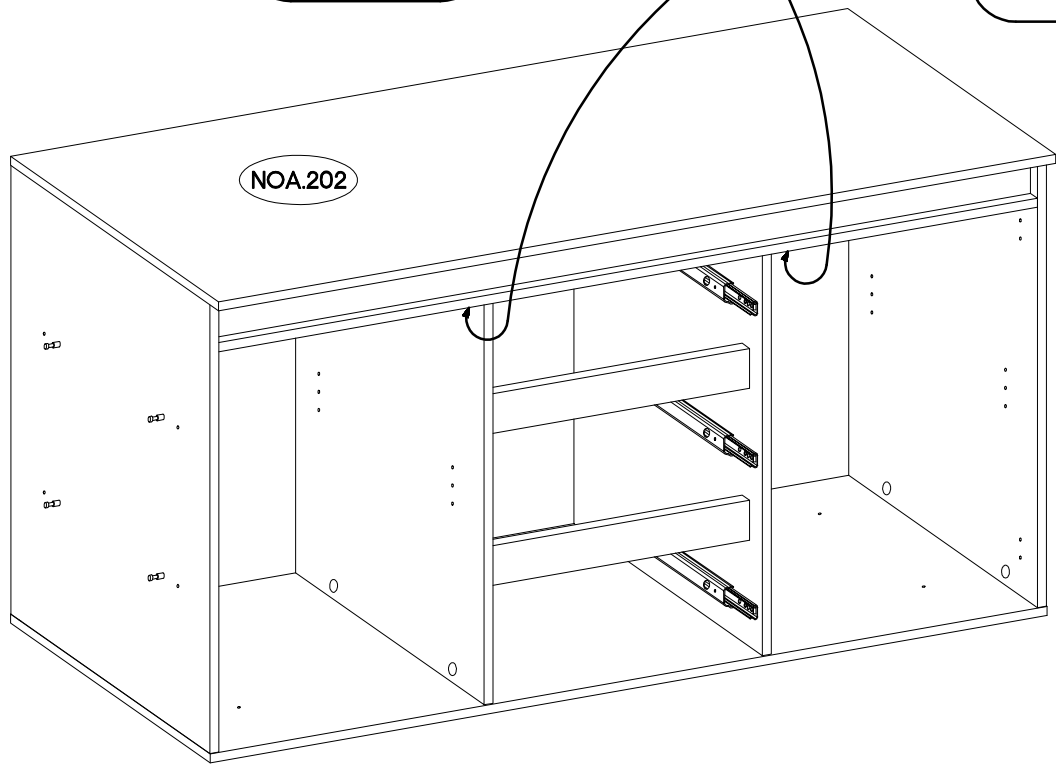
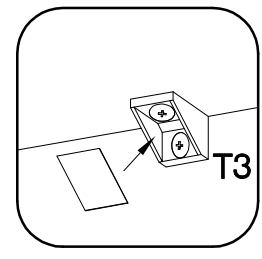
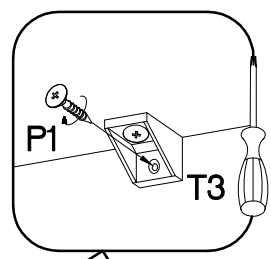
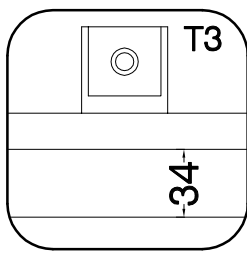


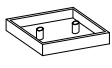

+3.0x20mm  P7 10	 L2 10	 L 18
---	--	---

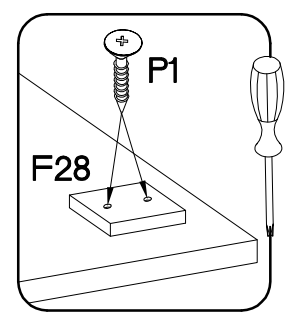
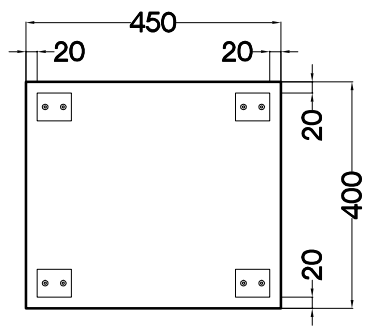
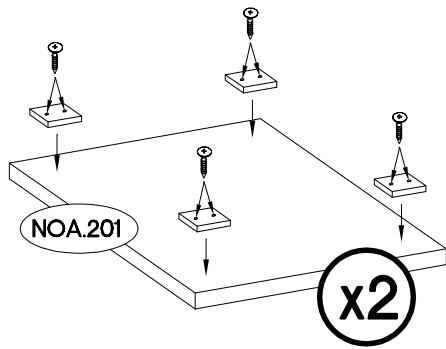


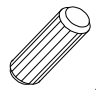
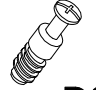



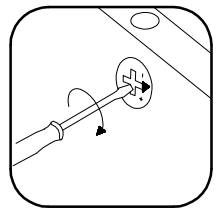
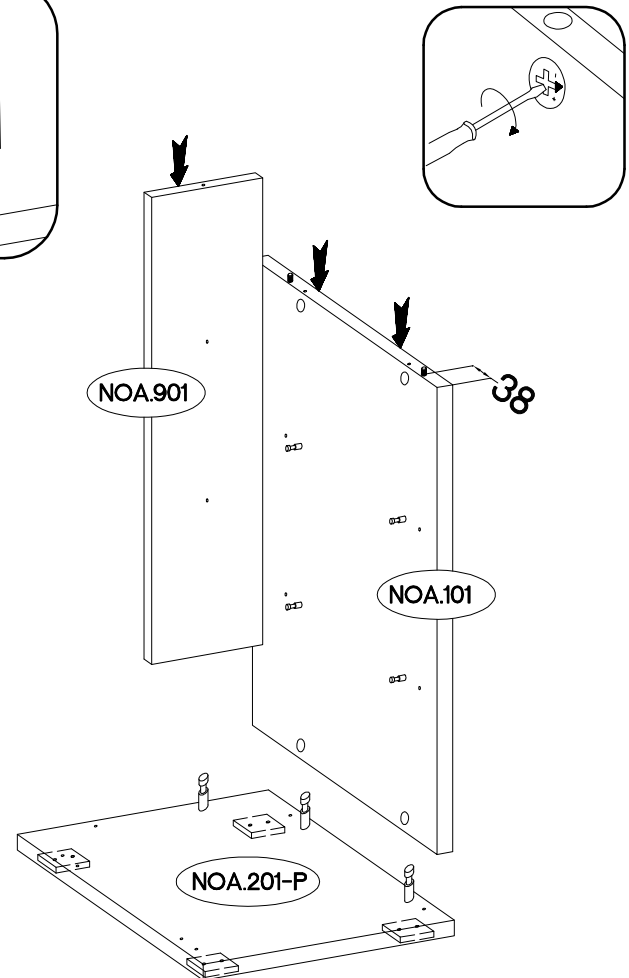
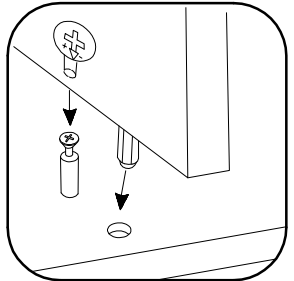
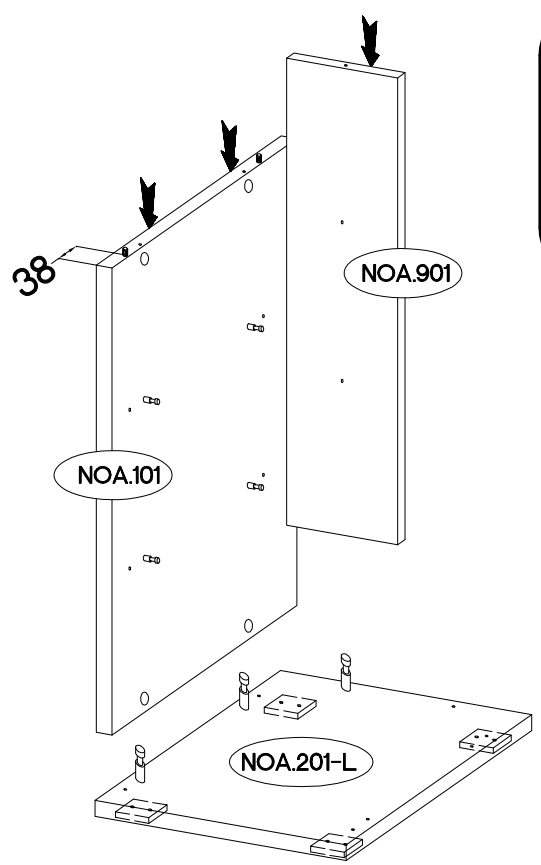
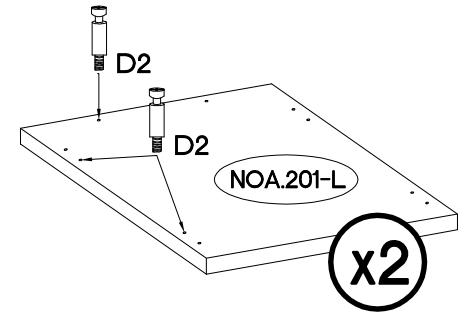
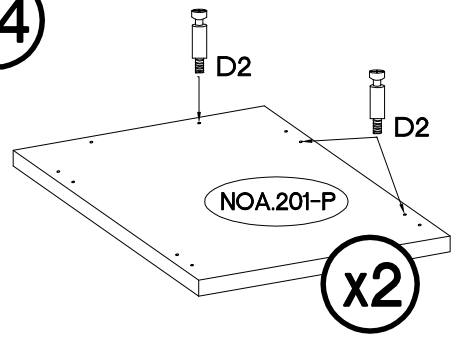
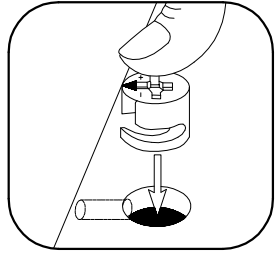
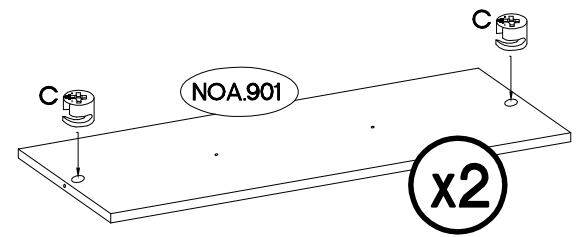
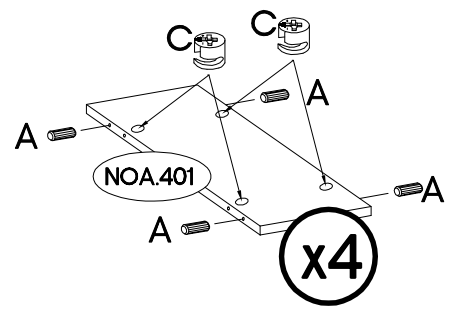
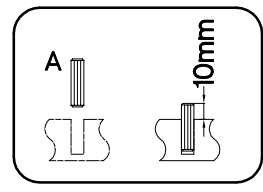
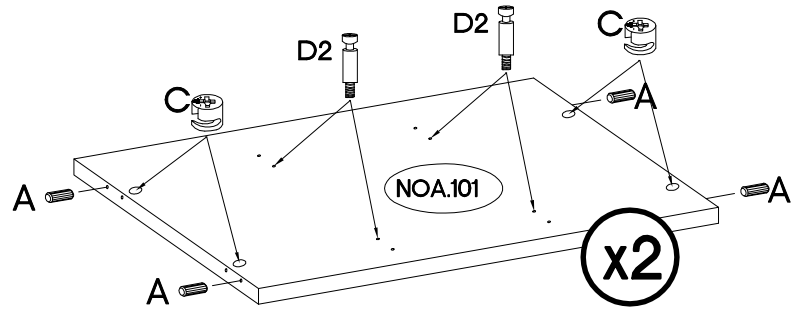
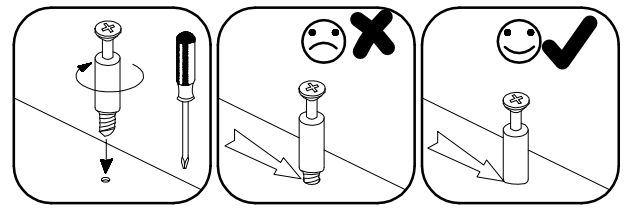
±4.0x16mm

P1
2

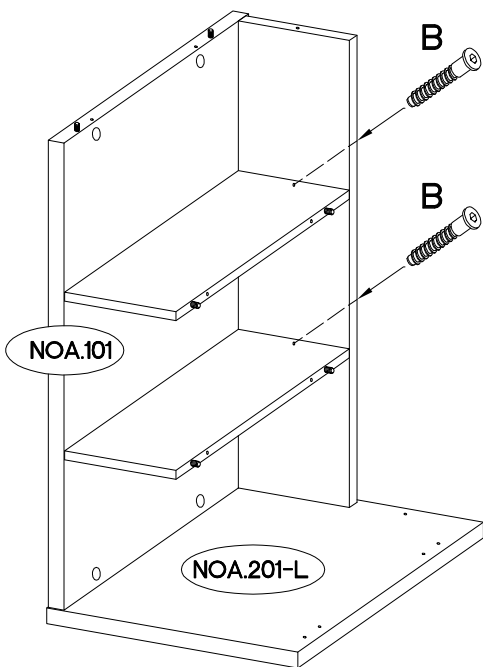
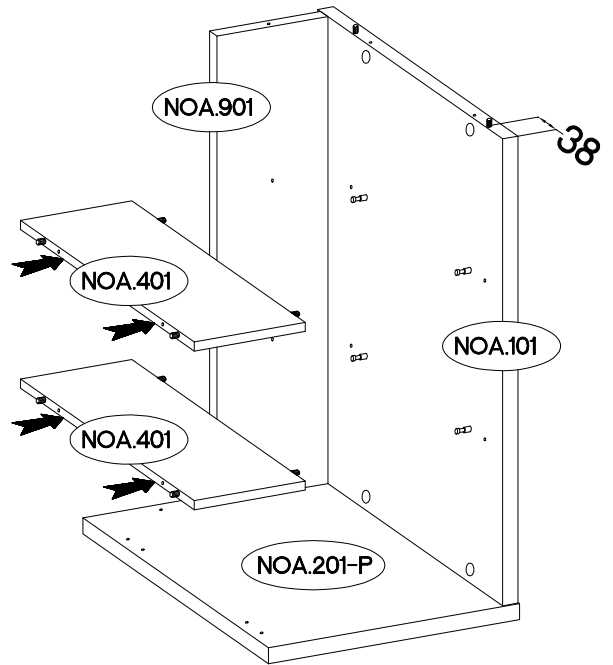
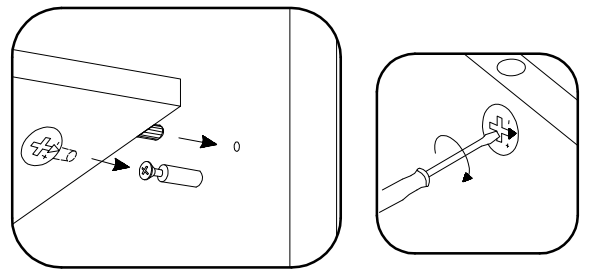
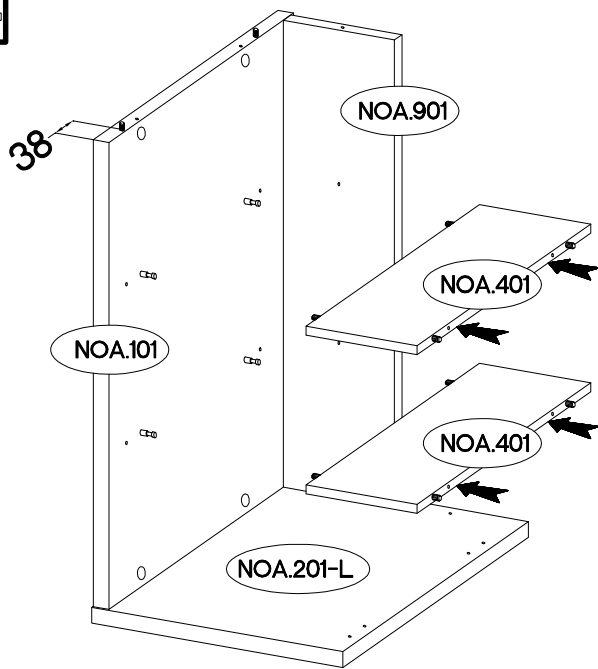



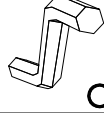

60x49x10	±4.0x16mm
	
F28	P1
8	16

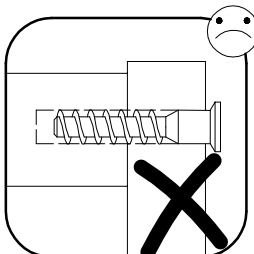
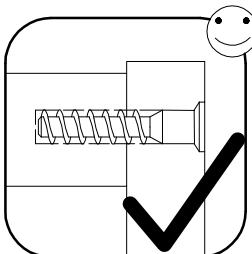
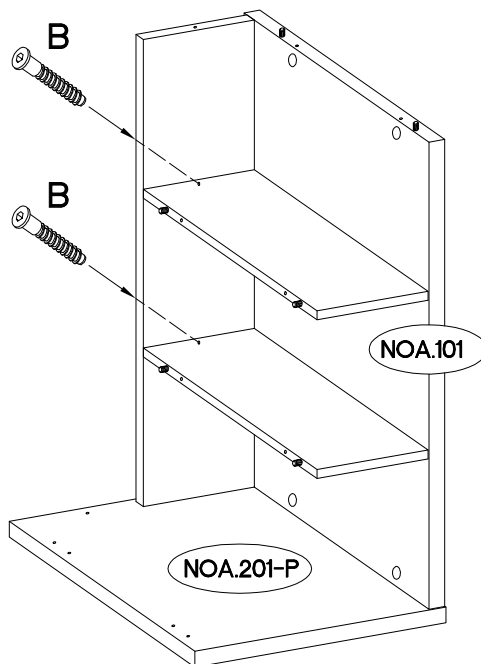
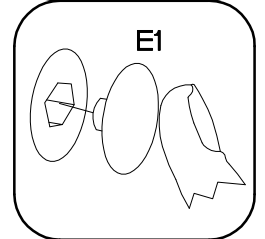
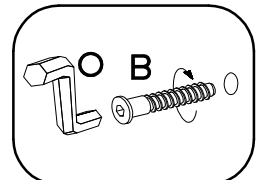


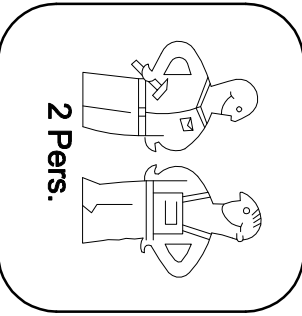
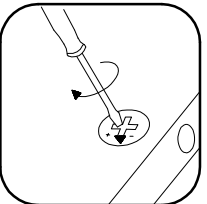
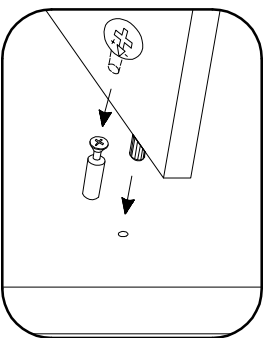
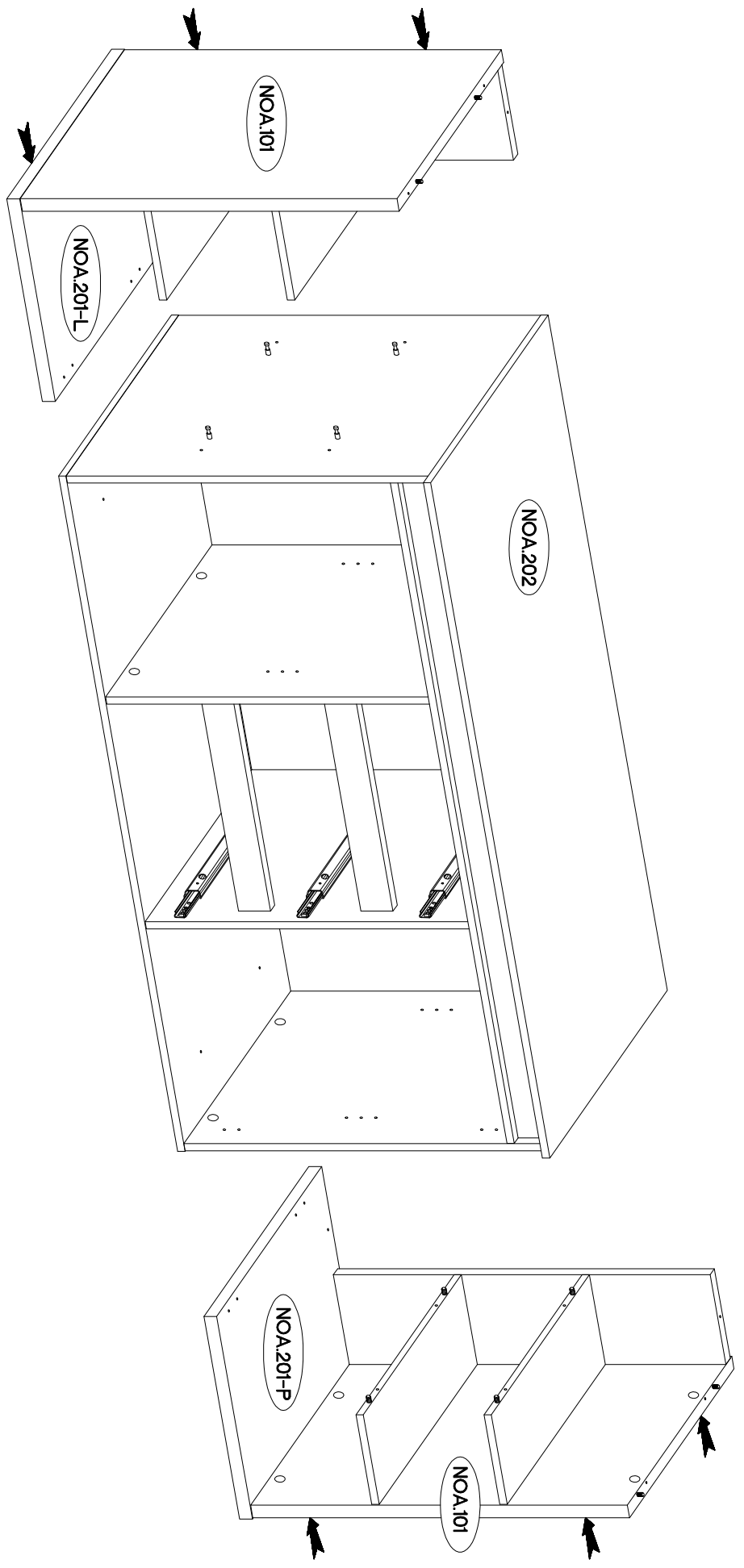
$\varnothing 8 \times 30 \text{mm}$  A 24	L=20mm  D2 20	$\varnothing 15/12 \text{mm}$  C 28
--	--	--



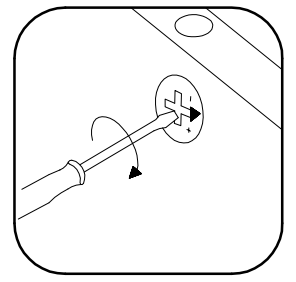
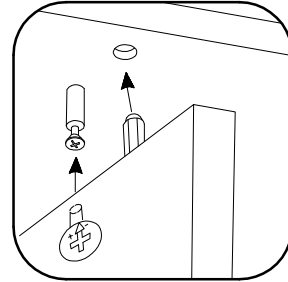
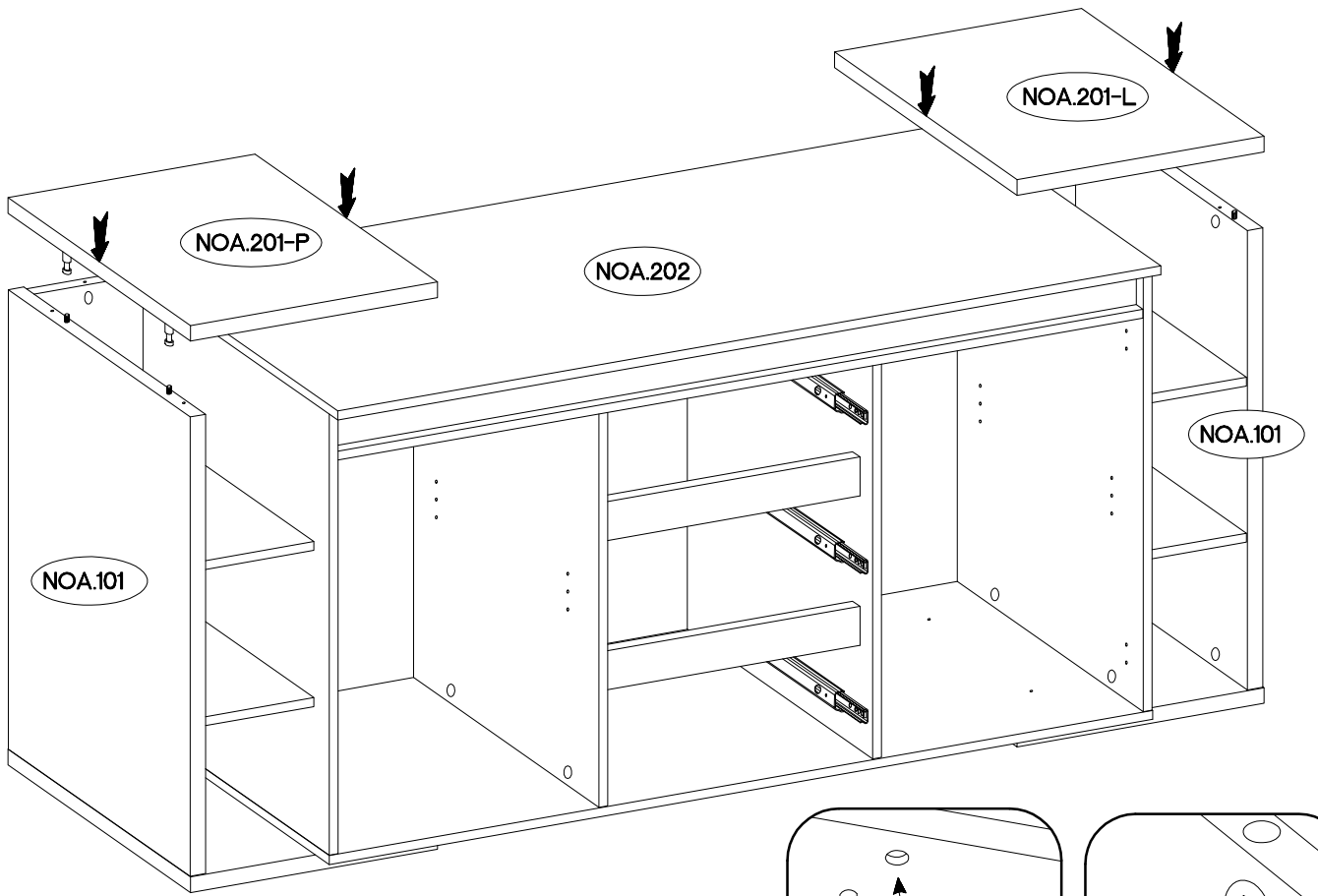


6,4 x 50mm		
		
4 B	1 O	4 E1



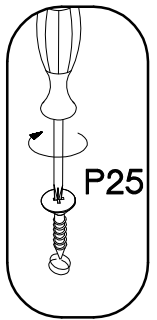
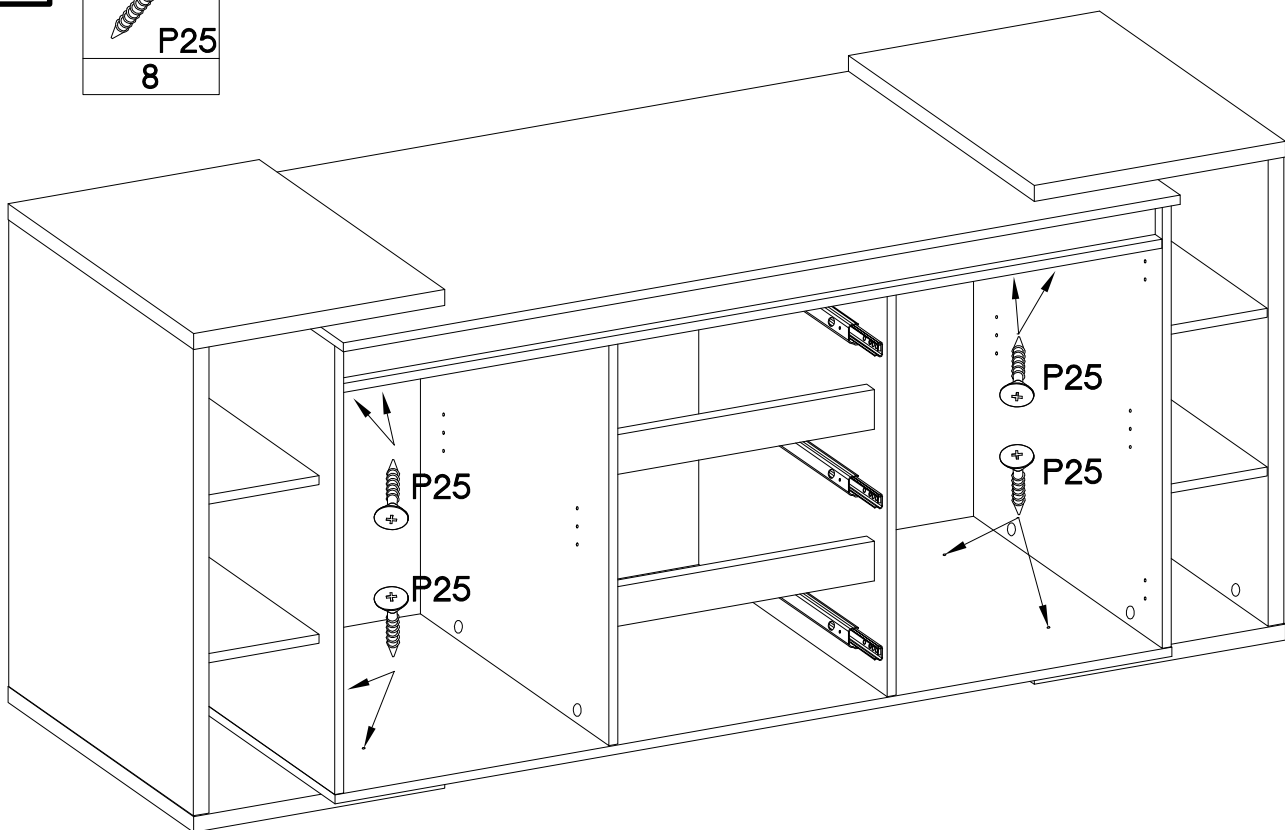





25

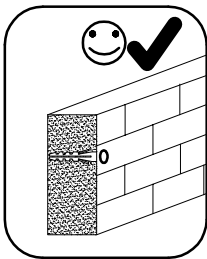
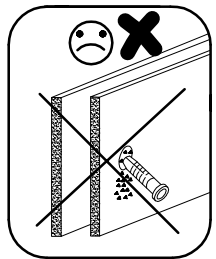
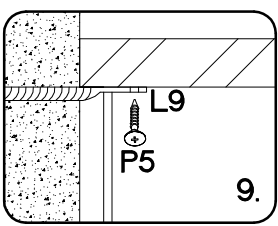
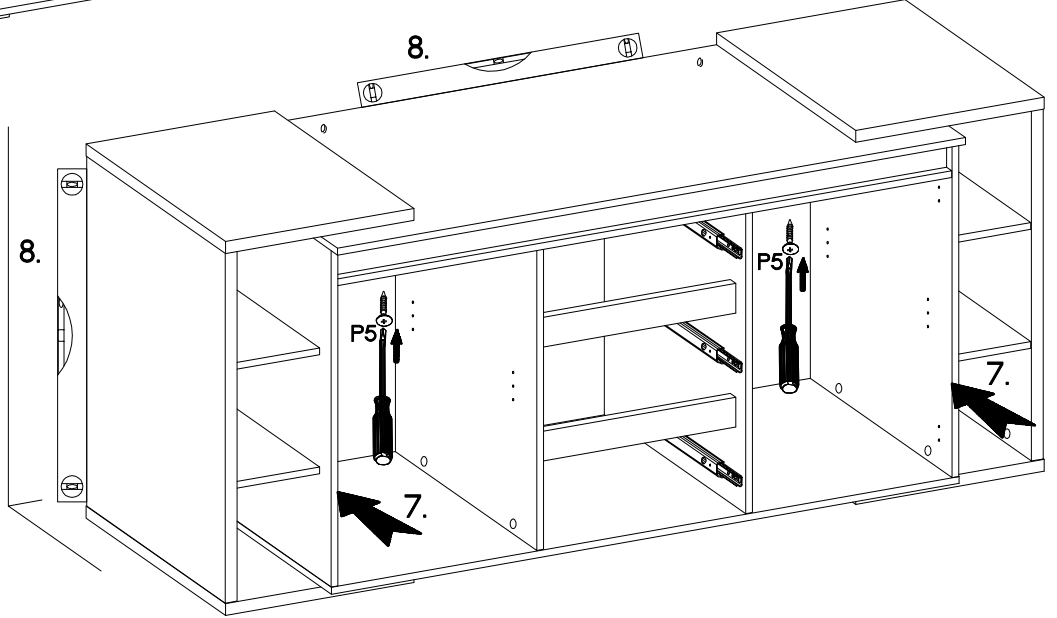
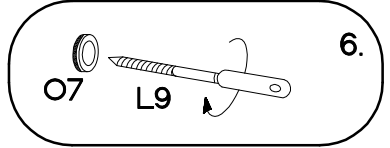
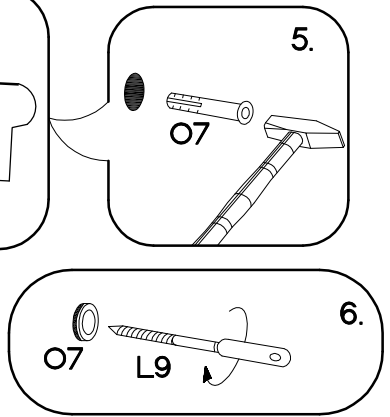
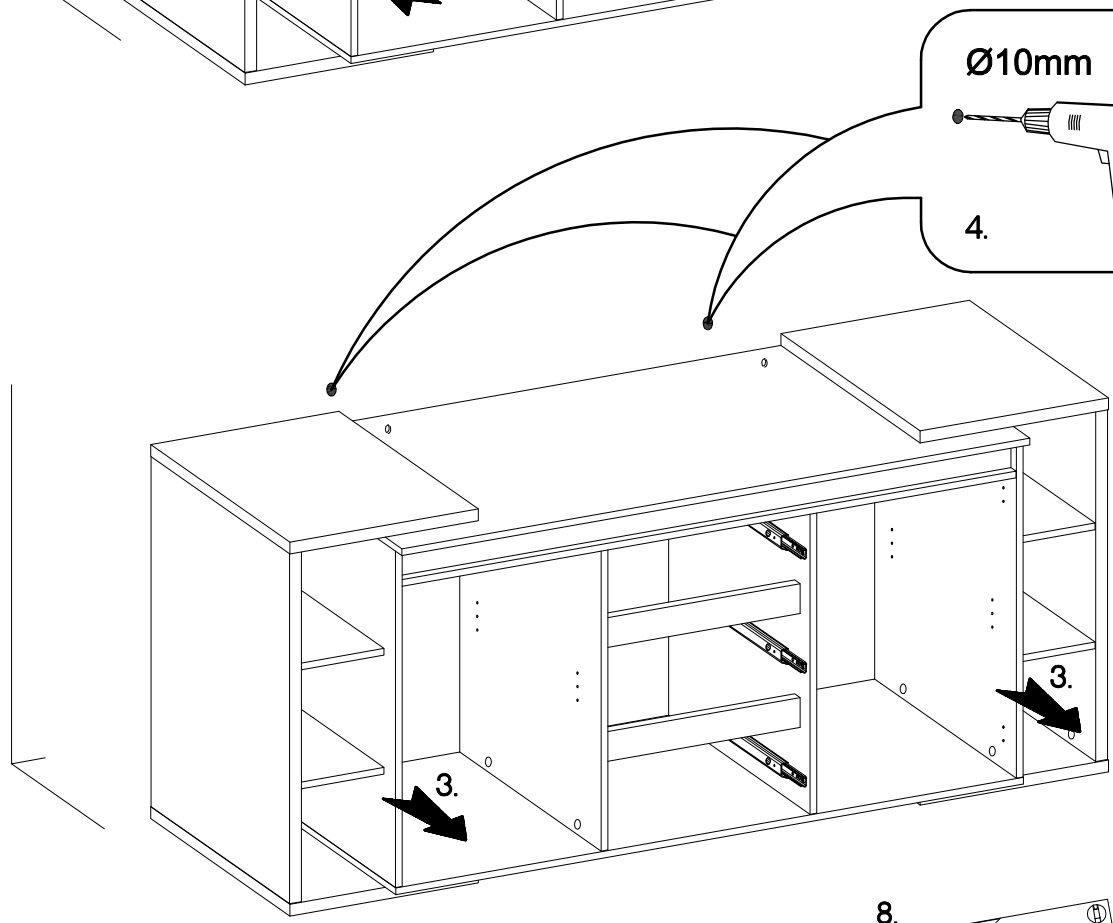
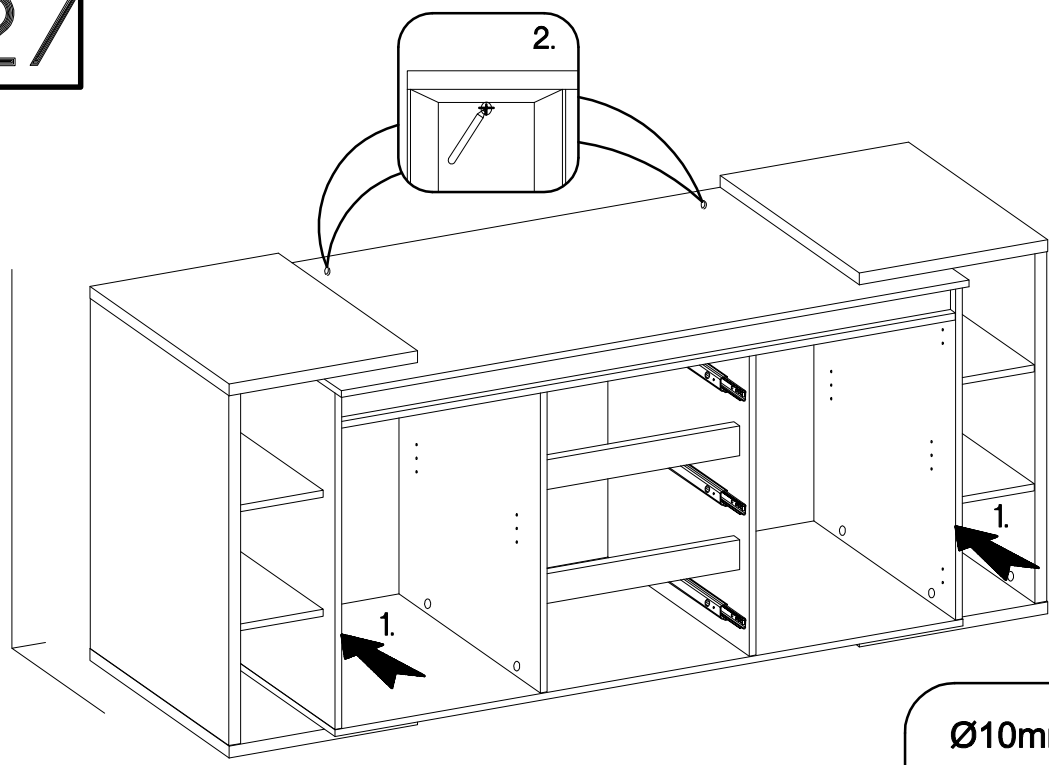


26

4x3.5x25mm  
BLACK  
P25  
8



+10x50mm 		+3.5x13mm 
O7	L9	P5
2	2	2



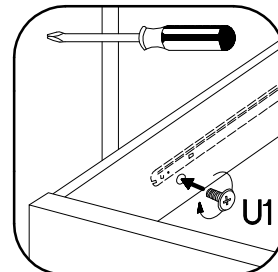
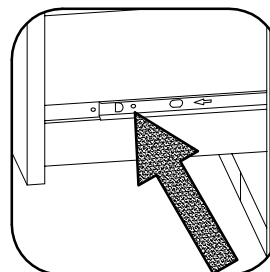
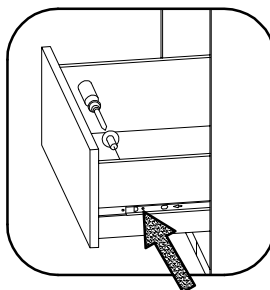
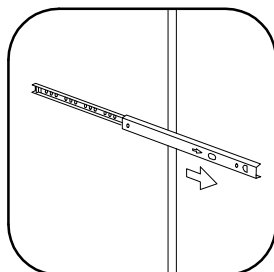
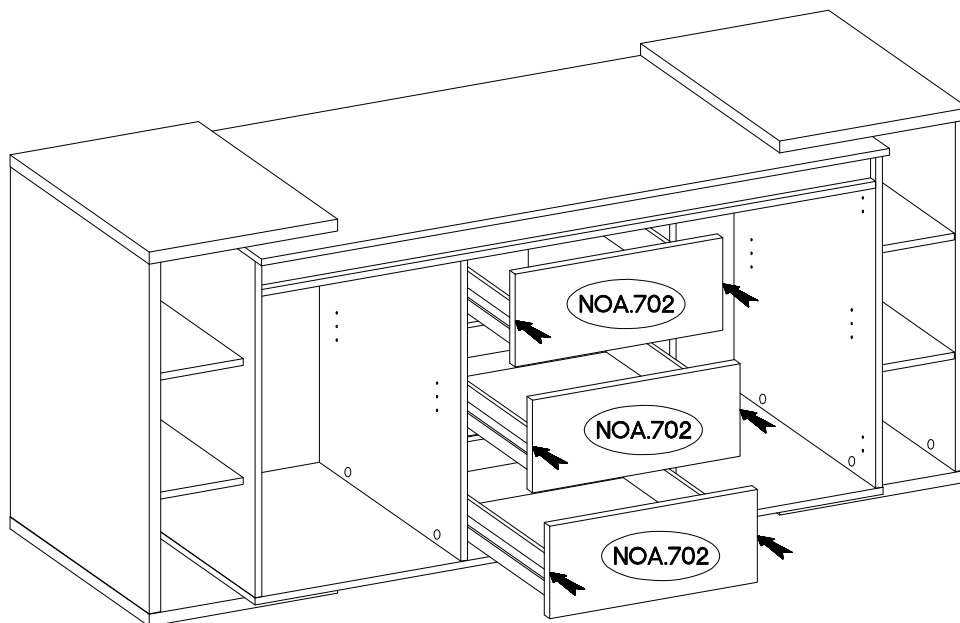
# 28

M4x9mm



U1

6



# 29

±5/16mm



J3

8



ant. E

14



szar. E

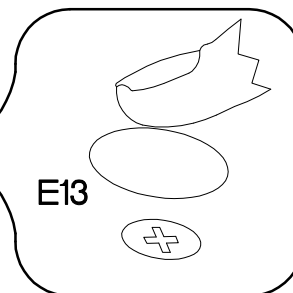
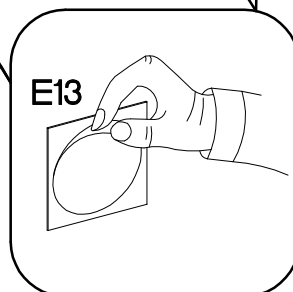
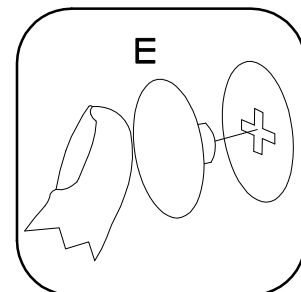
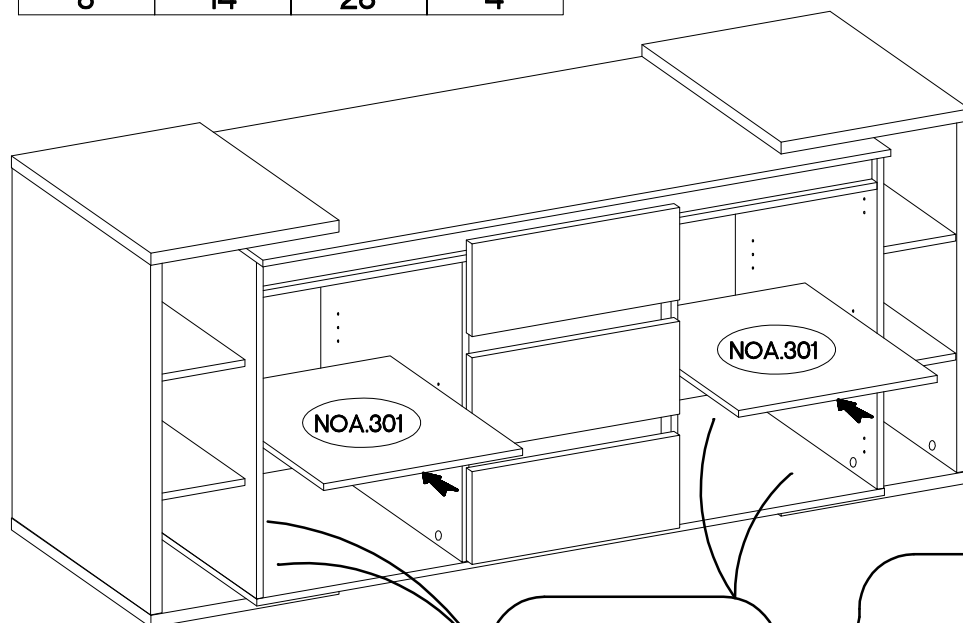
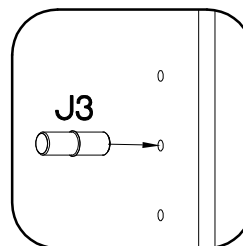
28

±14





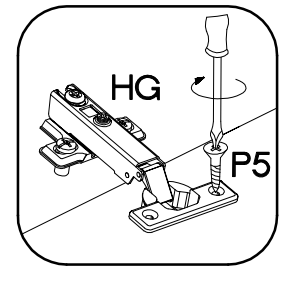
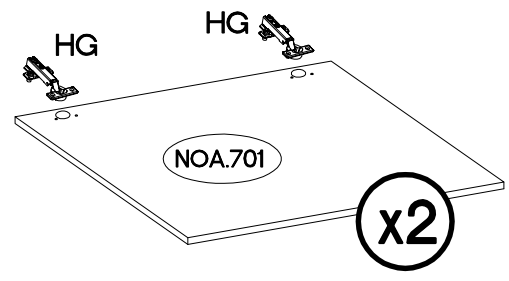
E13

4



30

±35/0mm	±3.5x13mm
	
HG	P5
4	8



31

