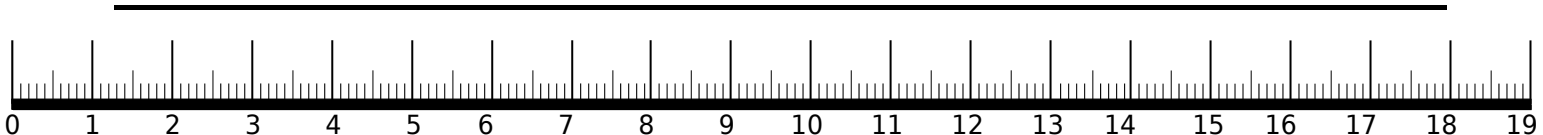
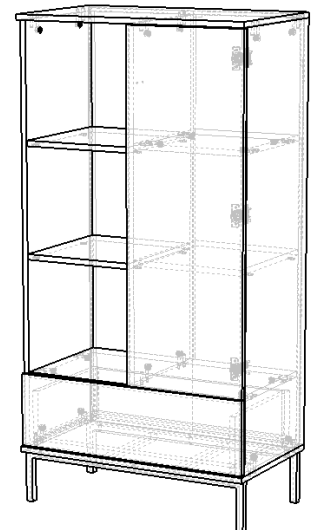
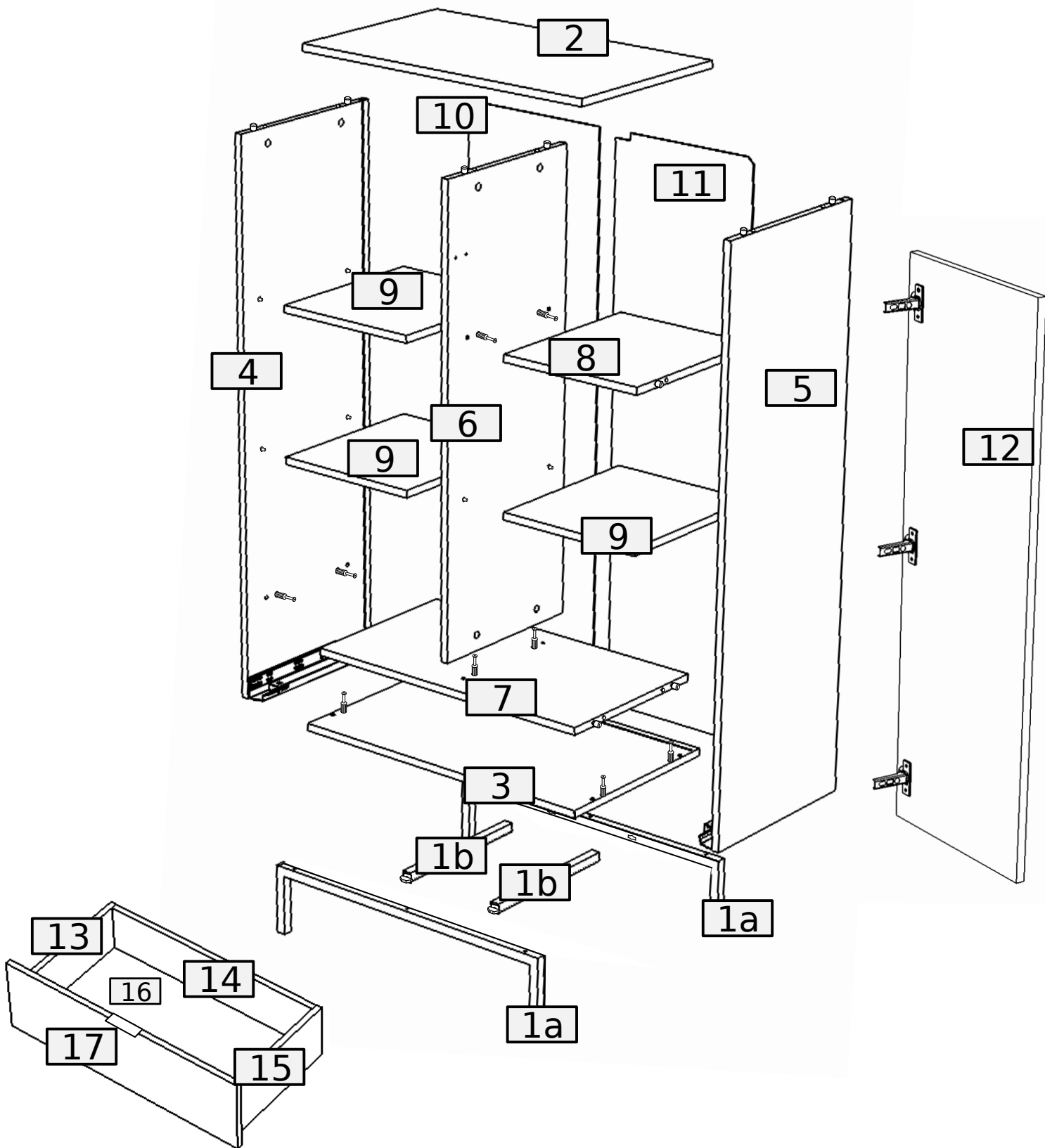


22	22	28	6	3	6	10	1
B	A	8.0x35	D 3.5x16	W2	PZ	G	I 3.5x16
14	12	1	3	1	6	2	1
X	S3	KS	Z1	PTS	G4	O	U1

G1	PD	6.0x10.5	F 3.0x20
4	1	4	4

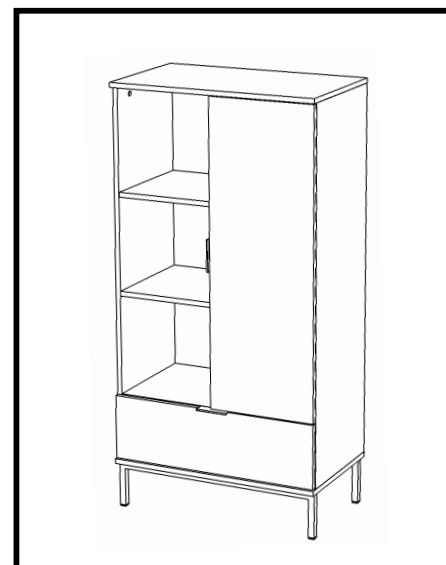
4.0x35
6

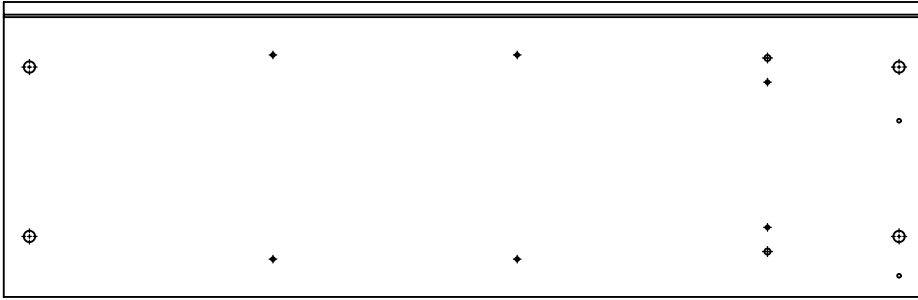




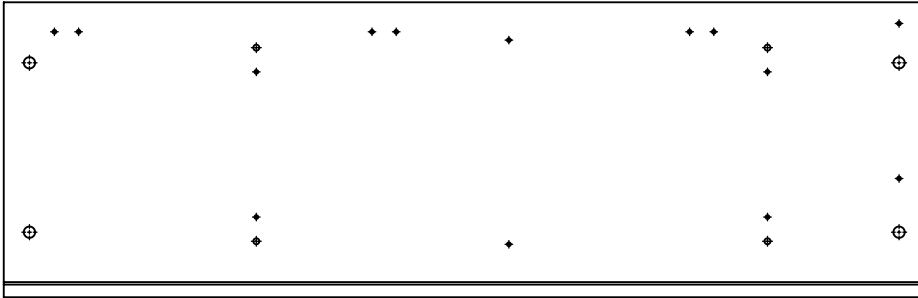
No.	Pcs.	L	W	D	Pac
1a	2	690	150	20	2/2
1b	2	330	20	20	2/2
2	1	700	410	16	2/2
3	1	700	410	16	2/2
4	1	390	1218	16	1/2
5	1	390	1218	16	1/2
6	1	370	1002	16	1/2
7	1	666	370	16	2/2
8	1	325	370	16	2/2

No.	Pcs.	L	W	D	Pac
9	3	325	360	16	2/2
10	1	1232	340	3	1/2
11	1	1232	340	3	1/2
12	1	1000	353	16	1/2
13	1	350	160	16	2/2
14	1	625	142	16	2/2
15	1	350	160	16	2/2
16	1	640	357	3	1/2
17	1	696	210	16	2/2

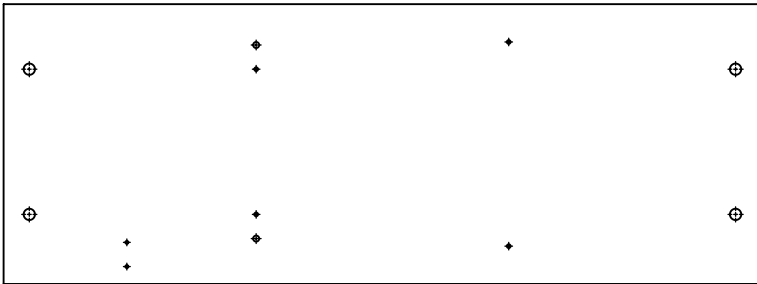




4. 1218x390x16 mm



5. 1218x390x16 mm



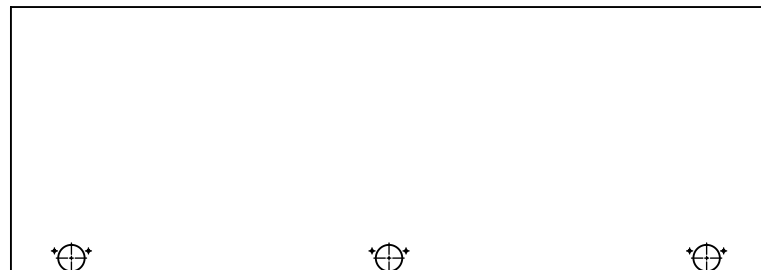
6. 1002x370x16 mm



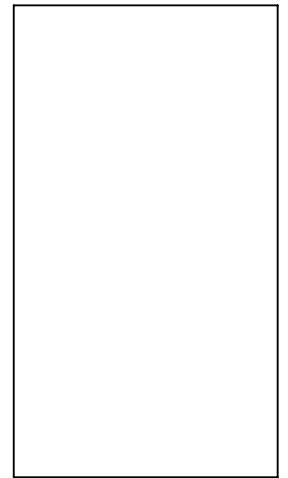
10. 1232x340x3 mm



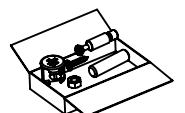
11. 1232x340x3 mm



12. 1000x353x16 mm

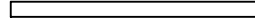


16. 640x357x3 mm

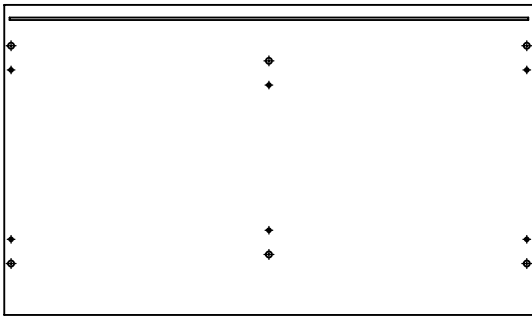




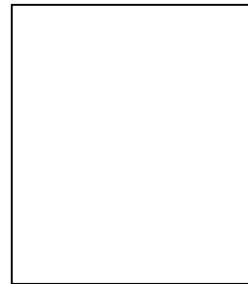
1a. 690x150x20 mm x2



1b. 330x20x20 mm x2



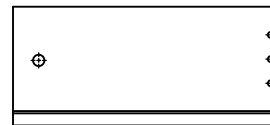
2. 700x410x16 mm



9. 325x360x16 mm x3



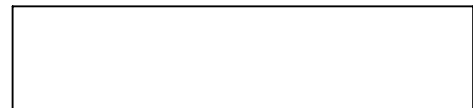
3. 700x410x16 mm



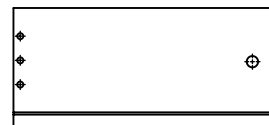
13. 350x160x16 mm



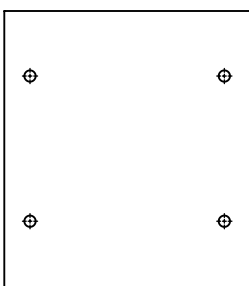
7. 666x370x16 mm



14. 625x142x16 mm



15. 350x160x16 mm

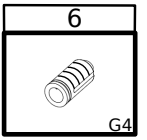
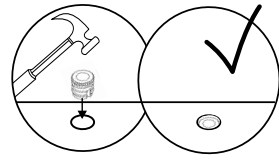
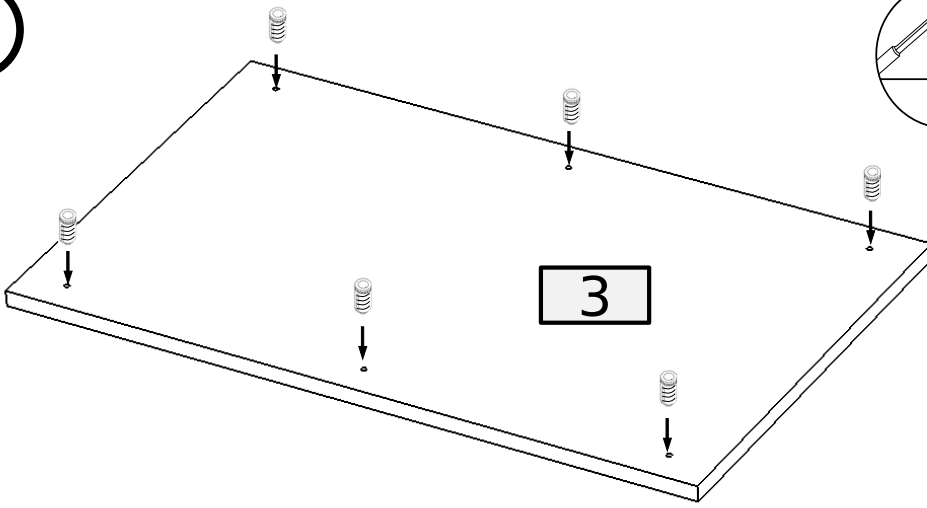


8. 325x370x16 mm

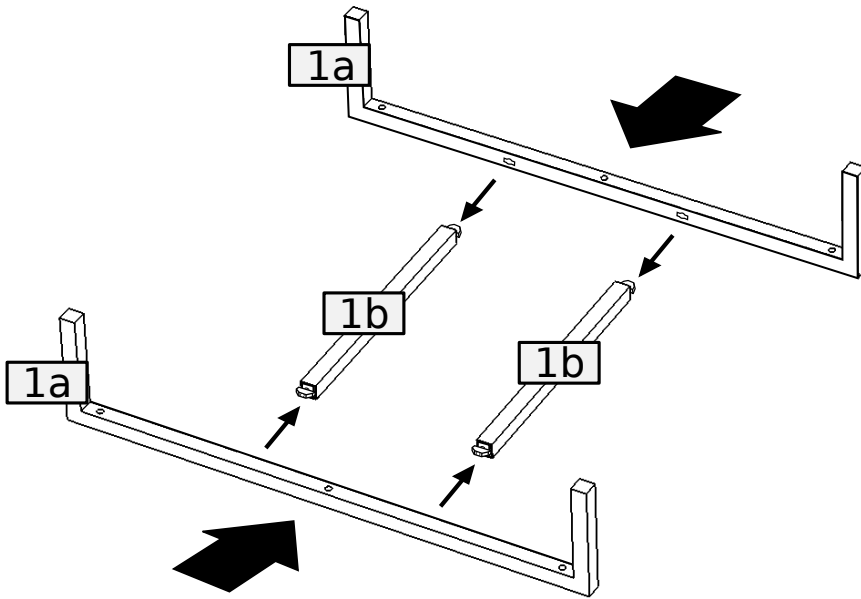


17. 696x210x16

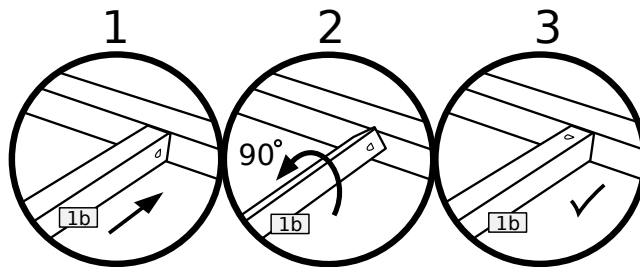
①



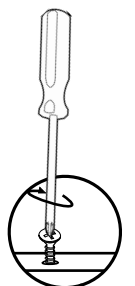
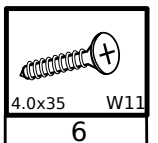
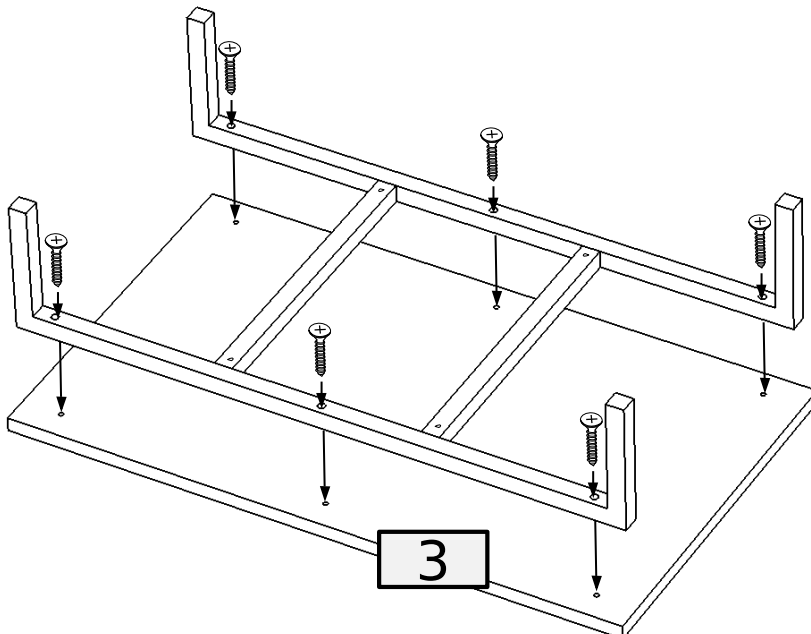
②



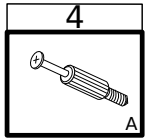
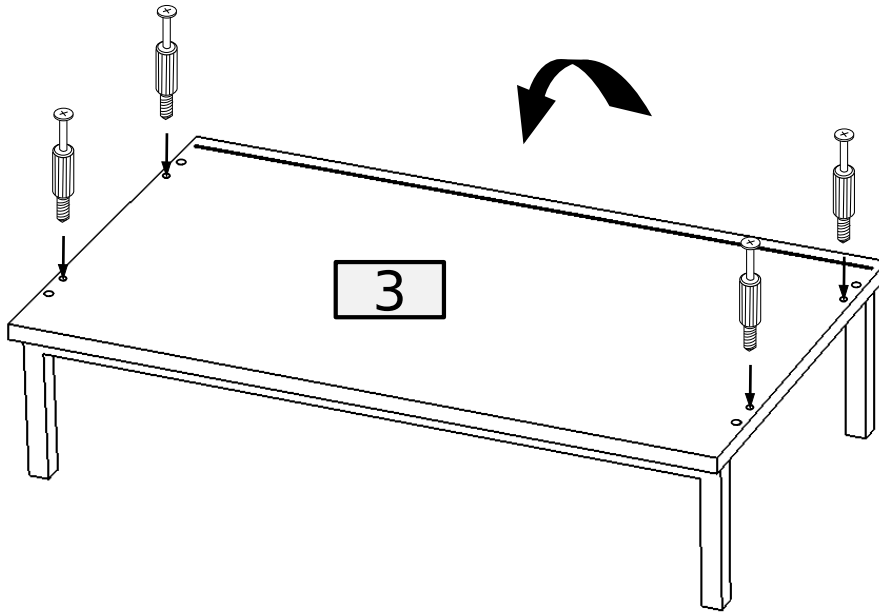
③



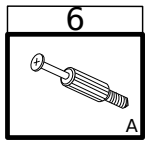
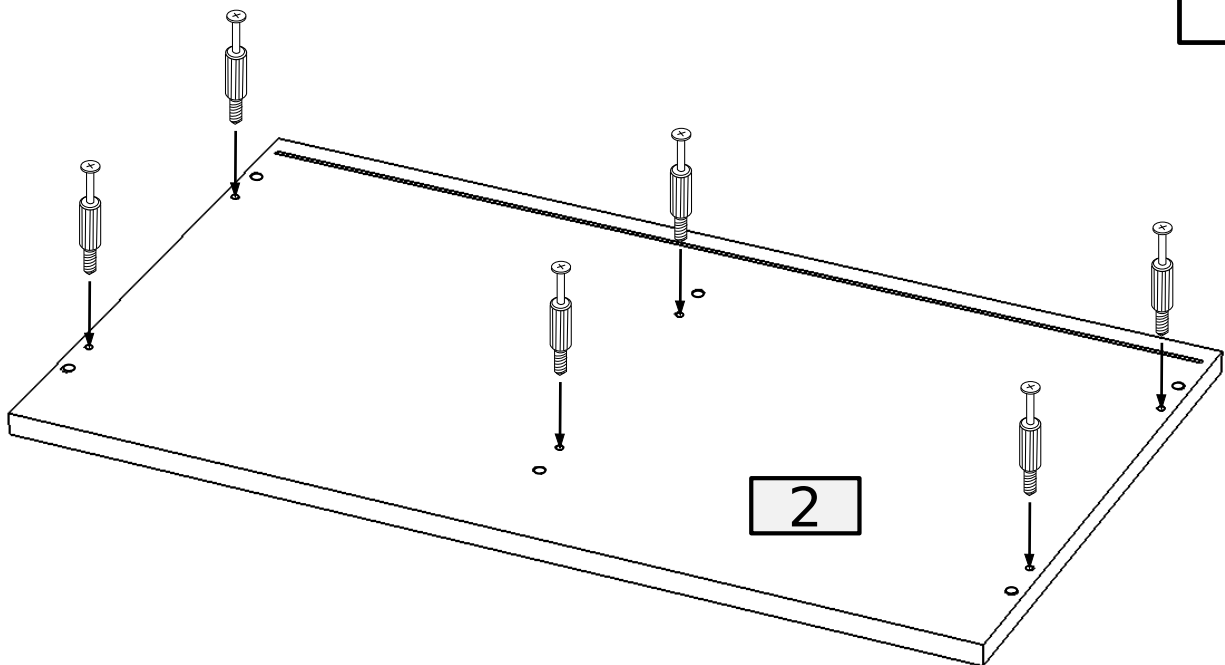
④




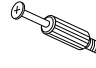


5

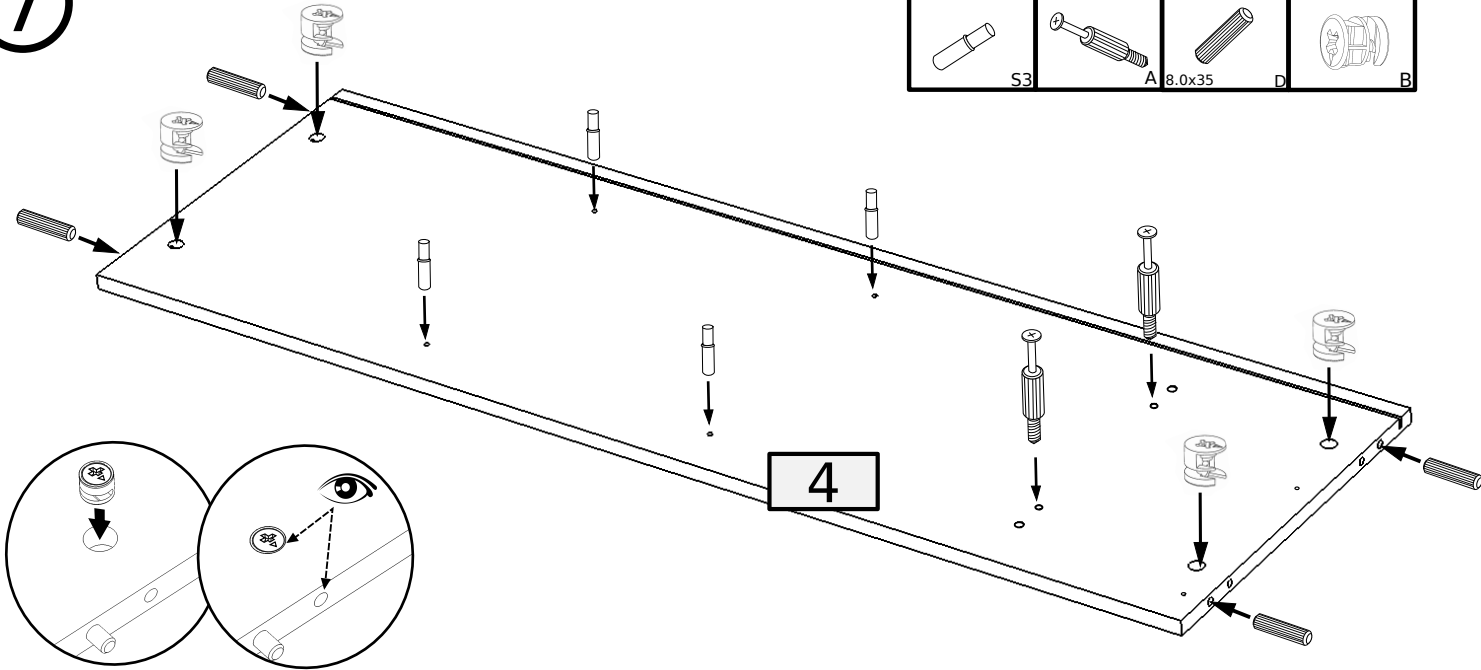


6

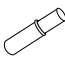
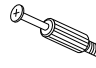





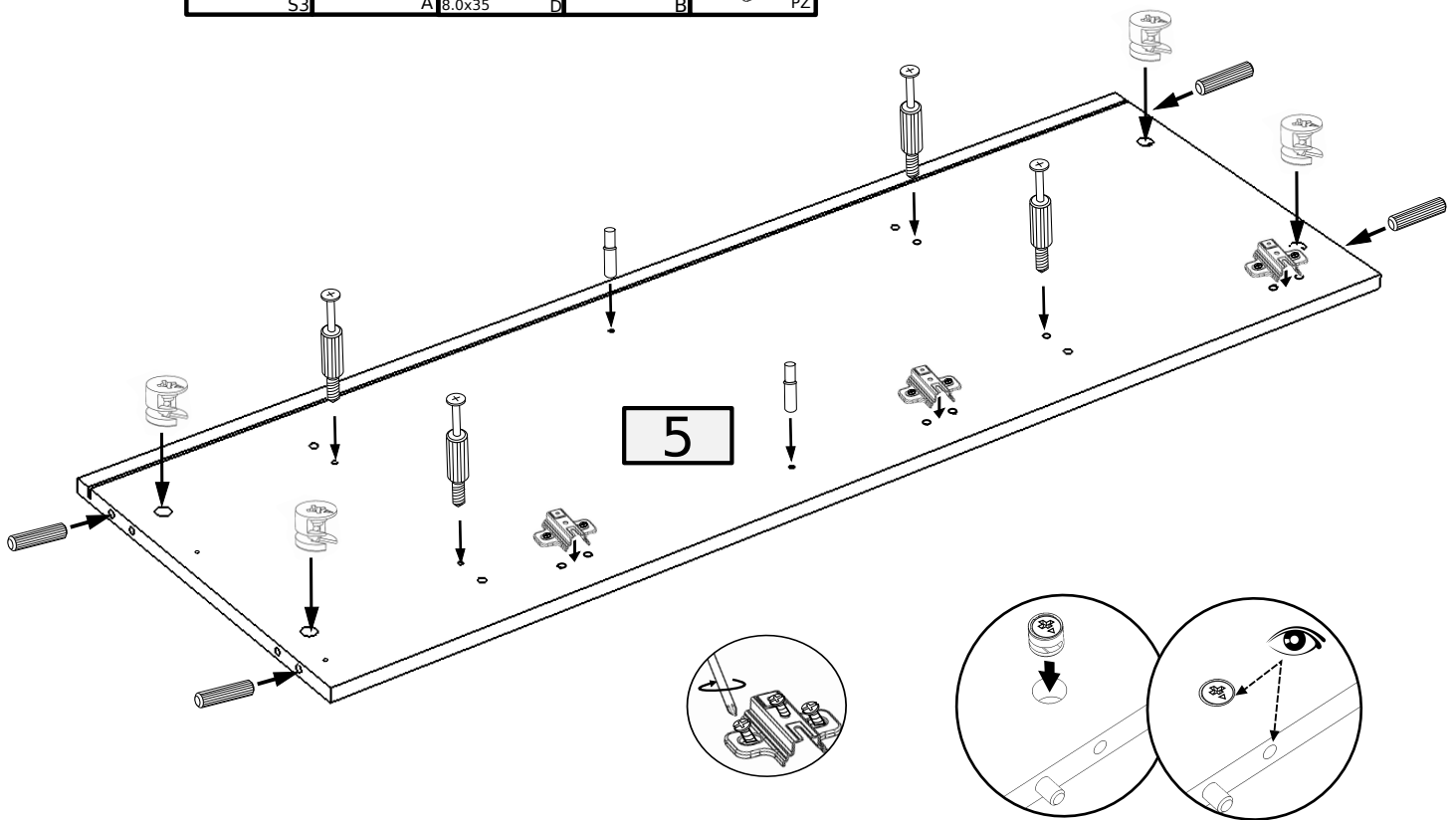
7

4	2	4	4
			
S3	A 8.0x35	D	B

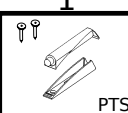
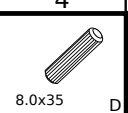
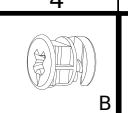
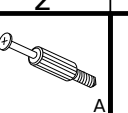
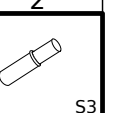


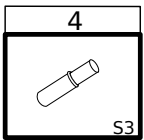
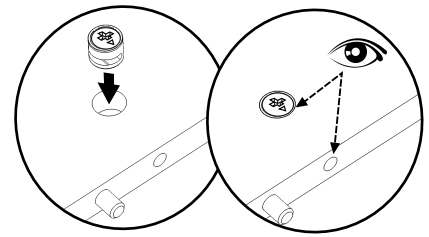
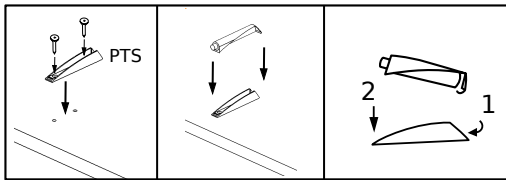
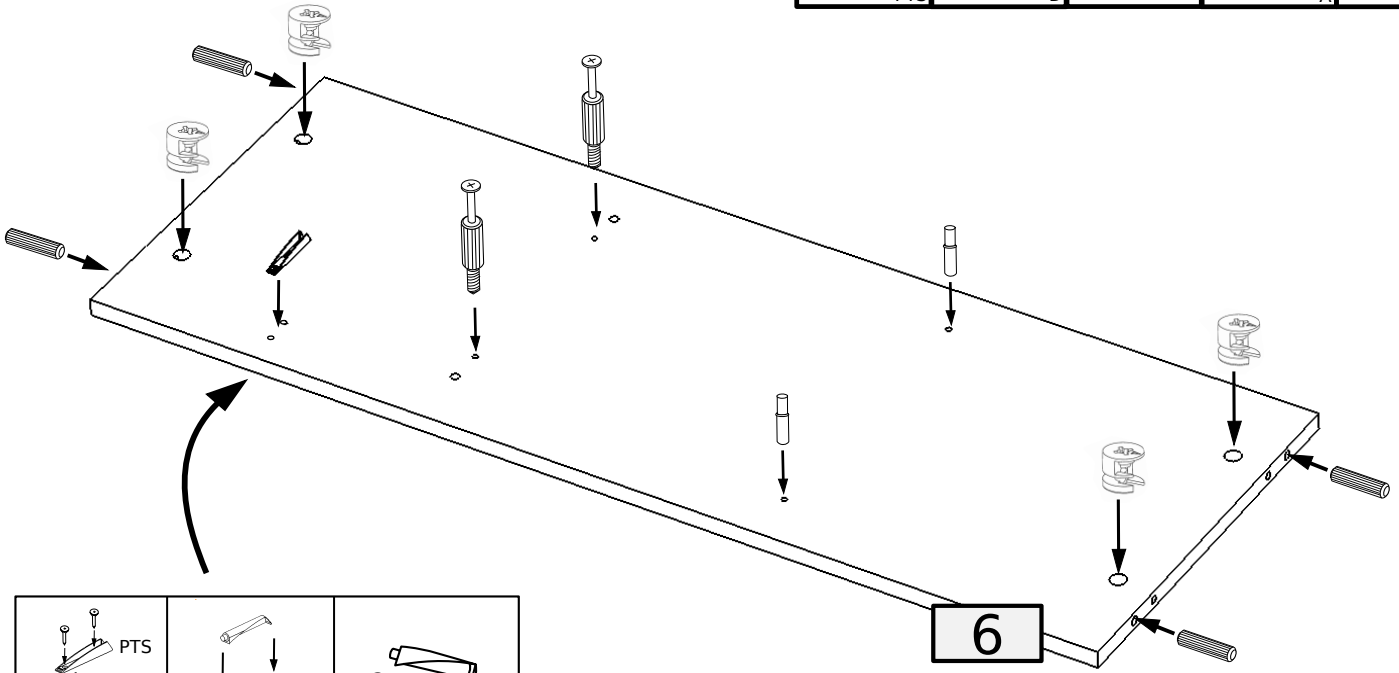
8

4	4	4	4	3
				
S3	A 8.0x35	D	B	PZ

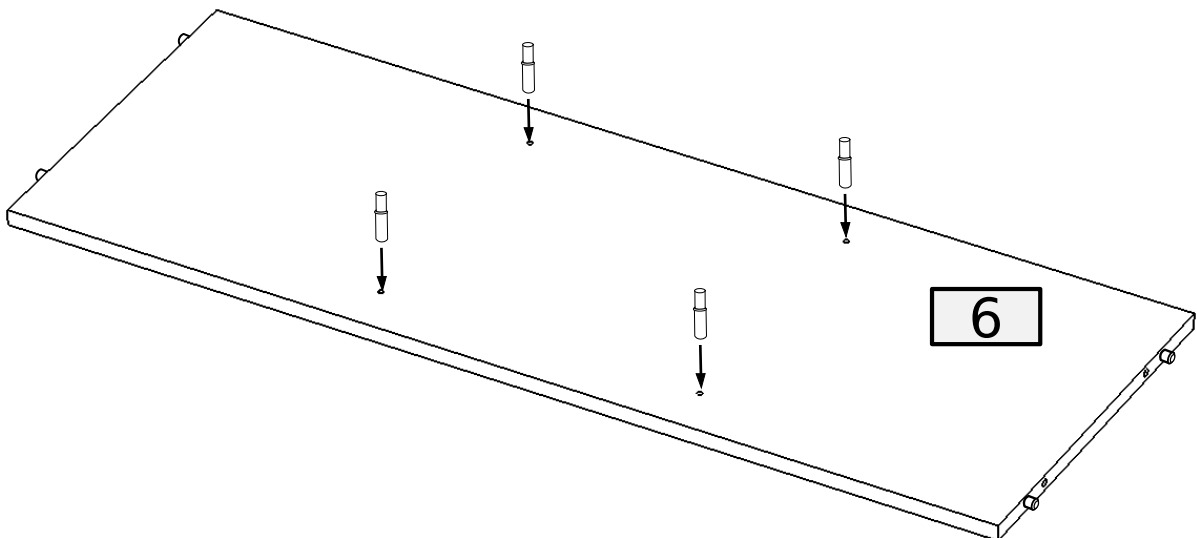


9



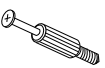
1	4	4	2	2
 PTS	 8.0x35 D	 B	 A	 S3

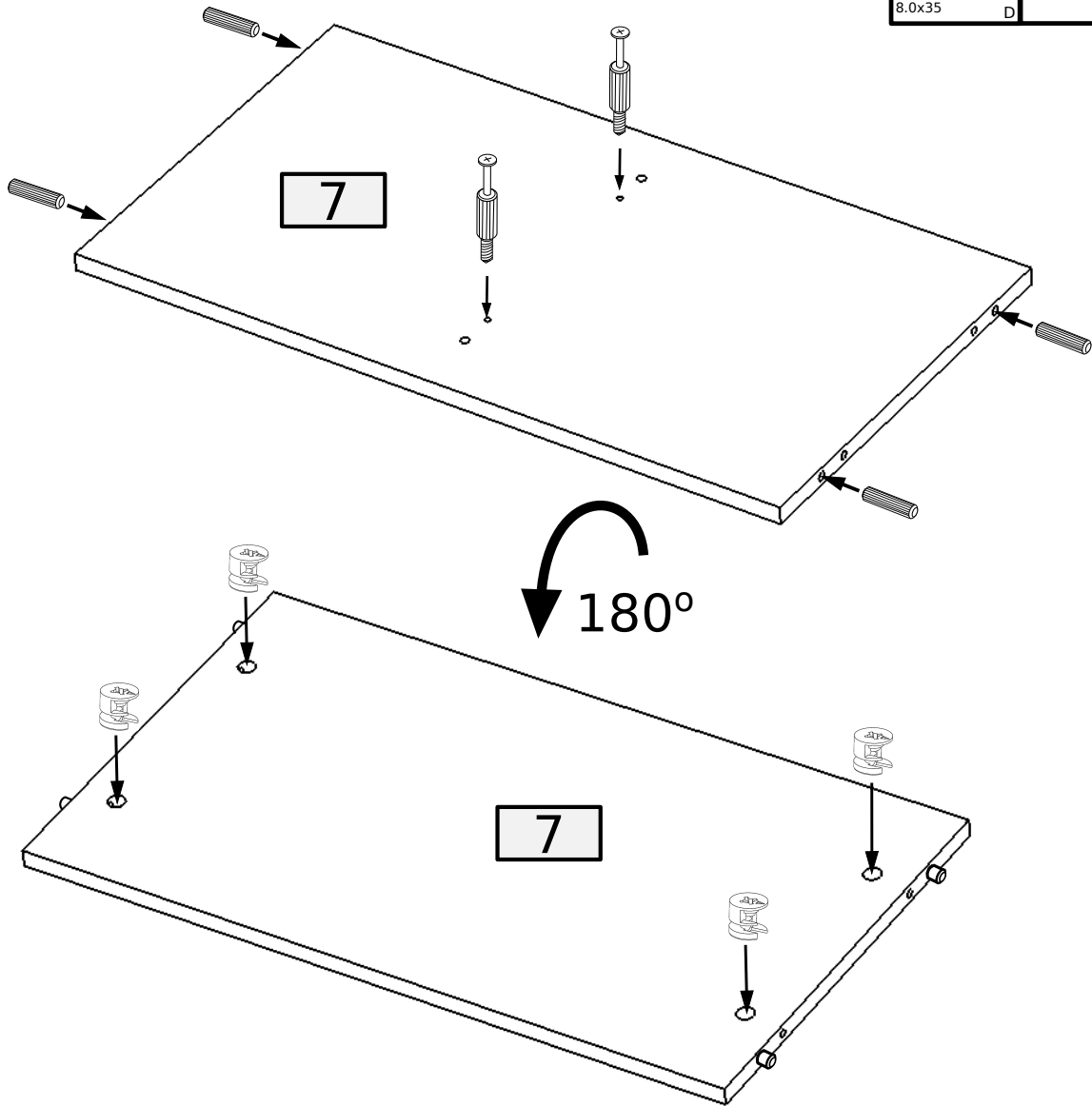


180°





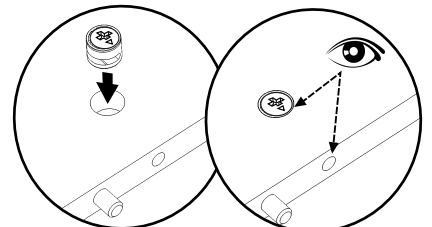
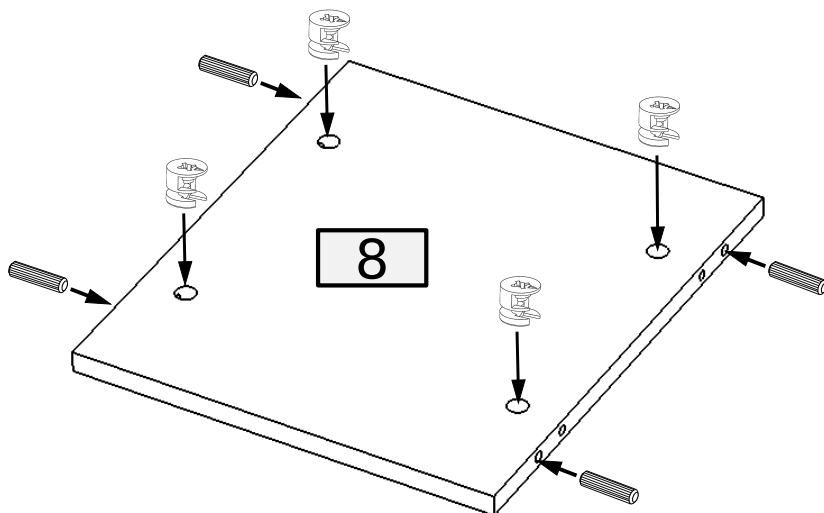
10

4	4	2
		
8.0x35	D	B

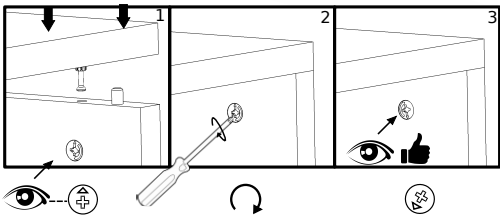
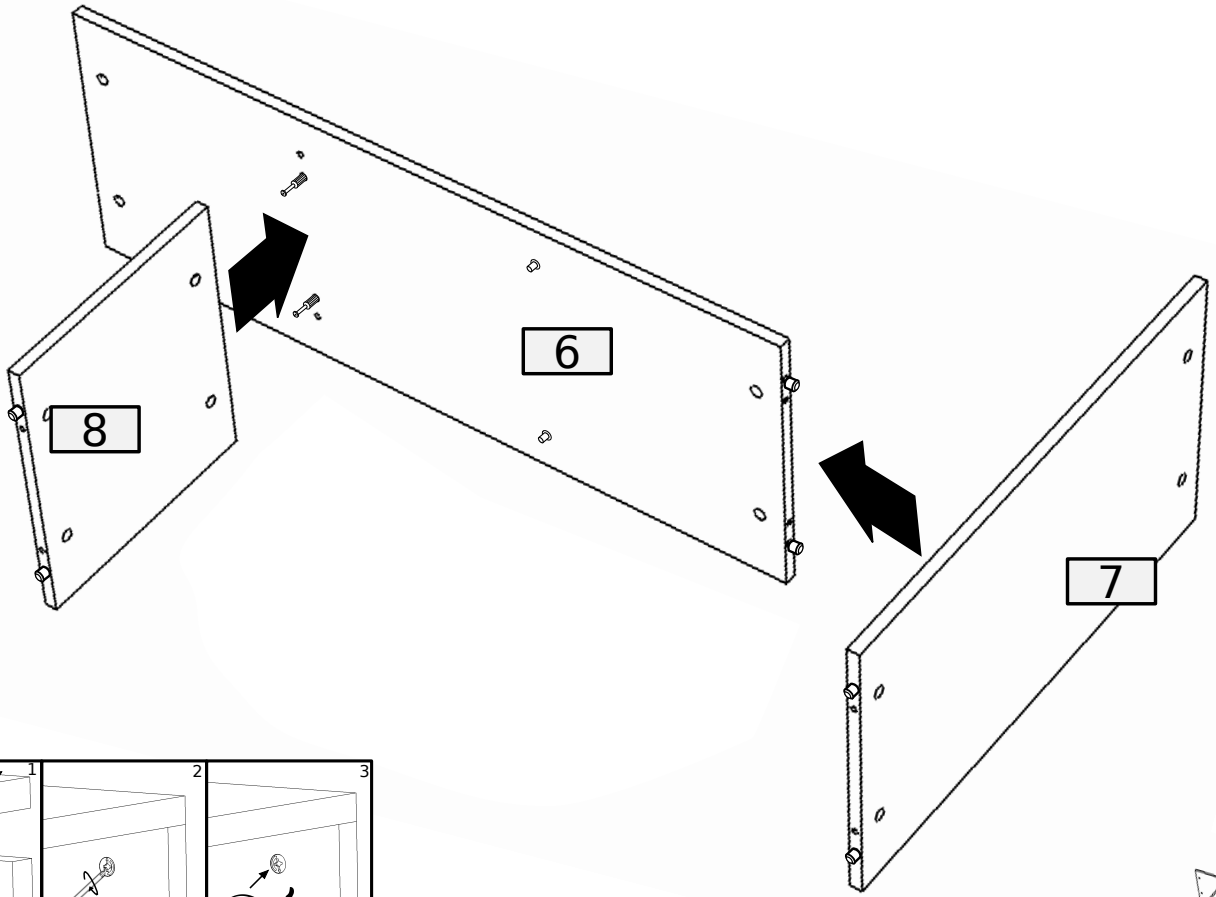


11

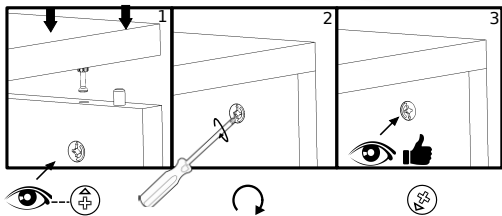
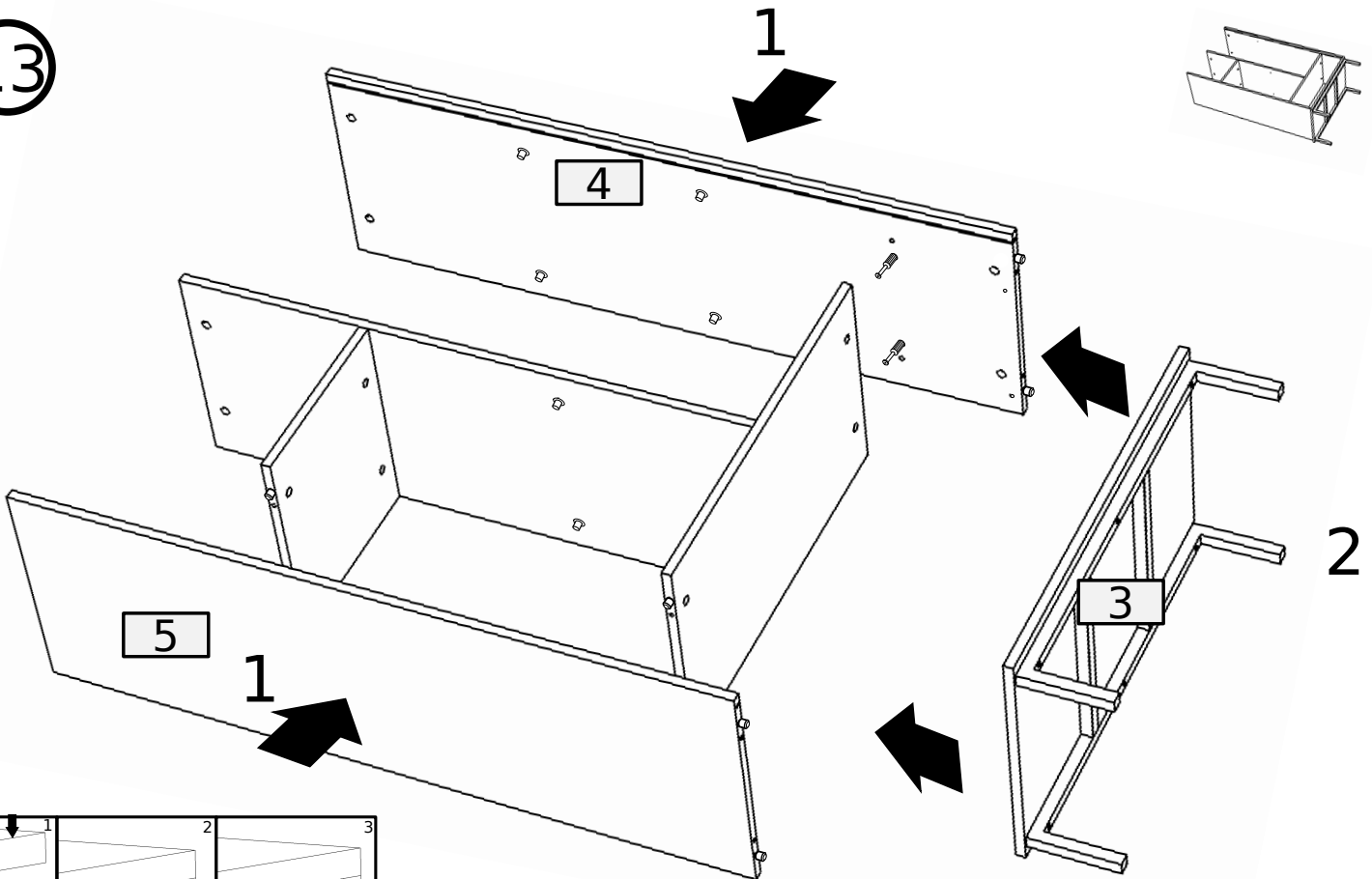
4	4
	
8.0x35	D



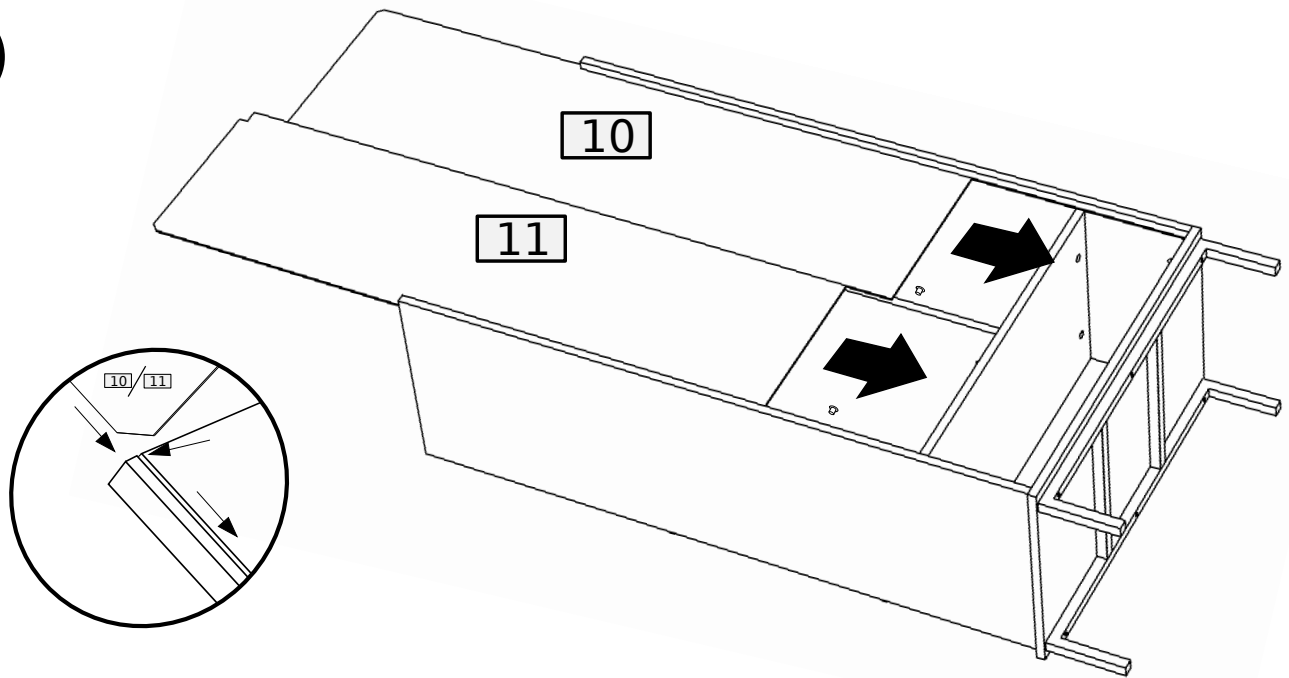
12



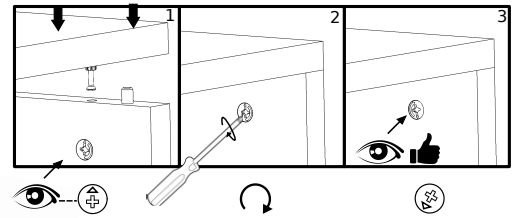
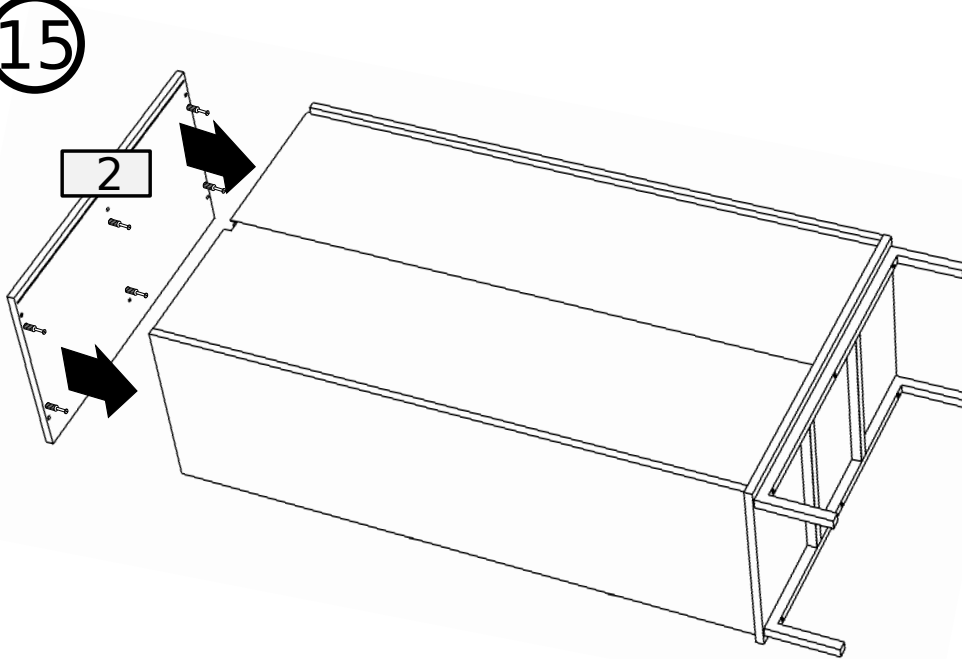
13



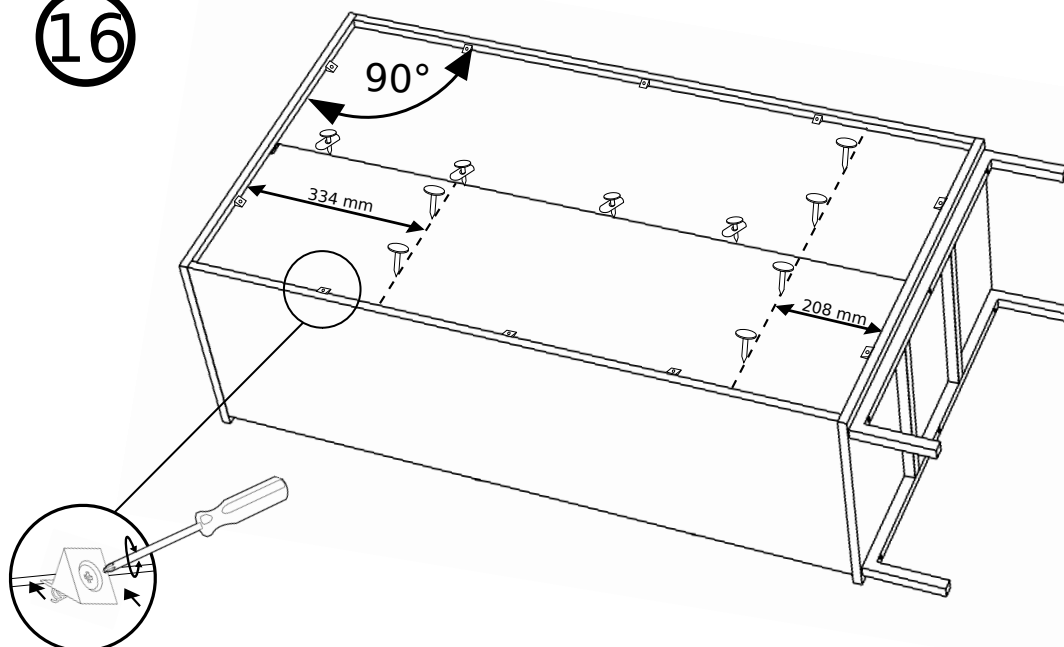
14



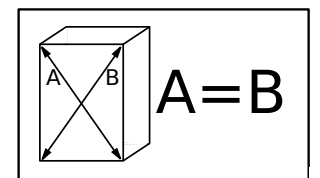
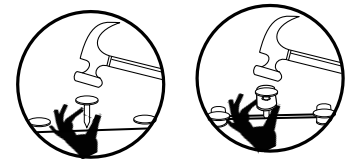
15



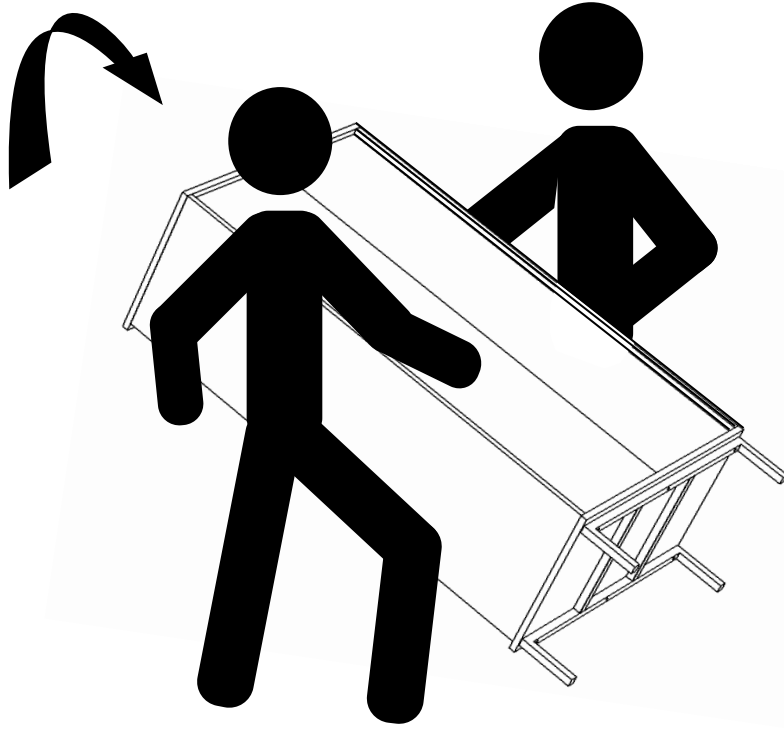
16



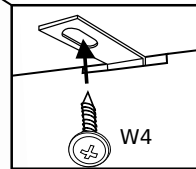
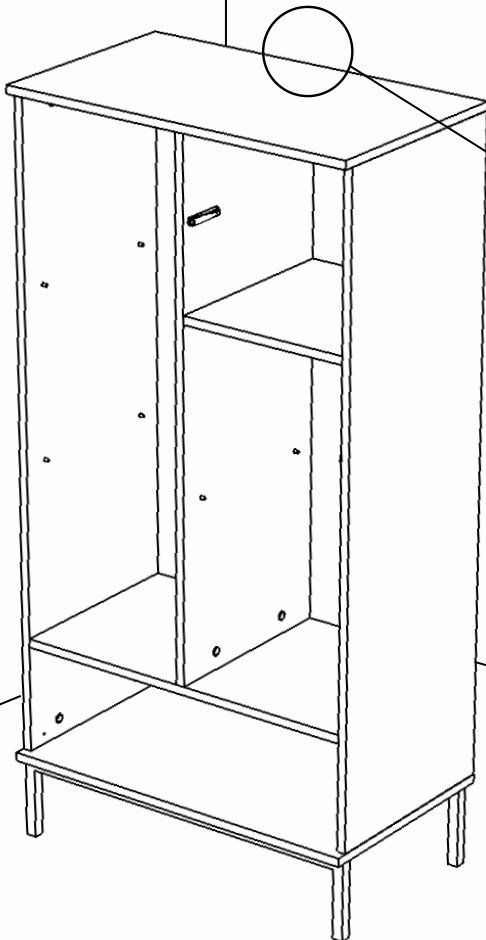
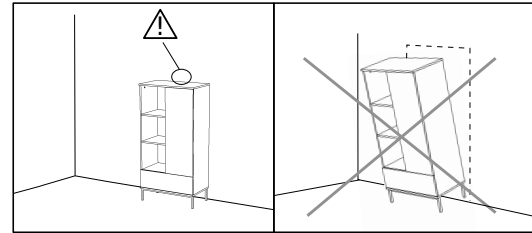
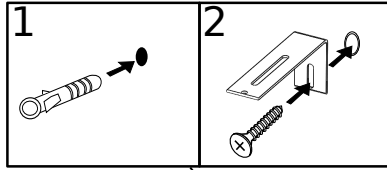
10	4	6
	G2	G



17

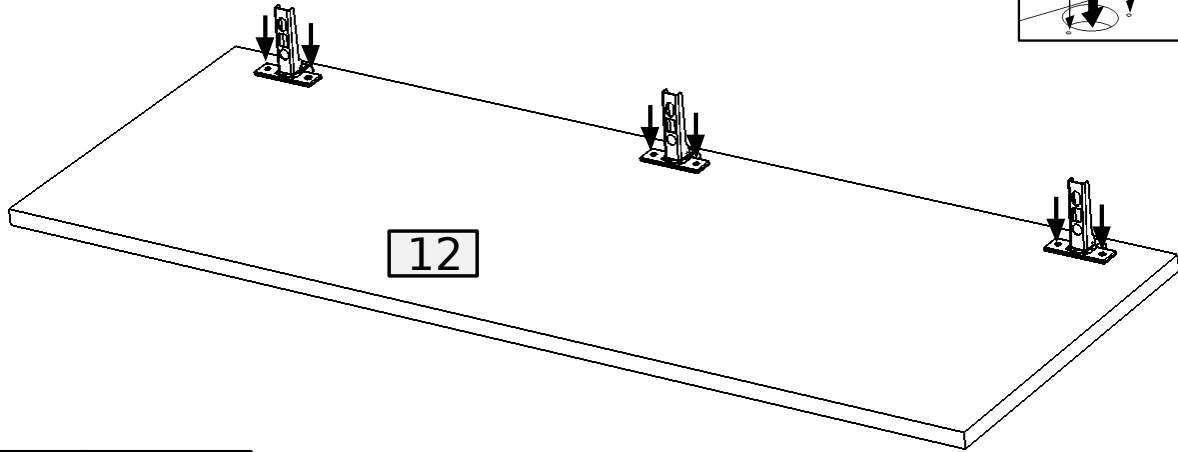
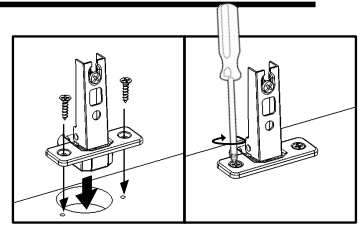



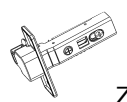
18



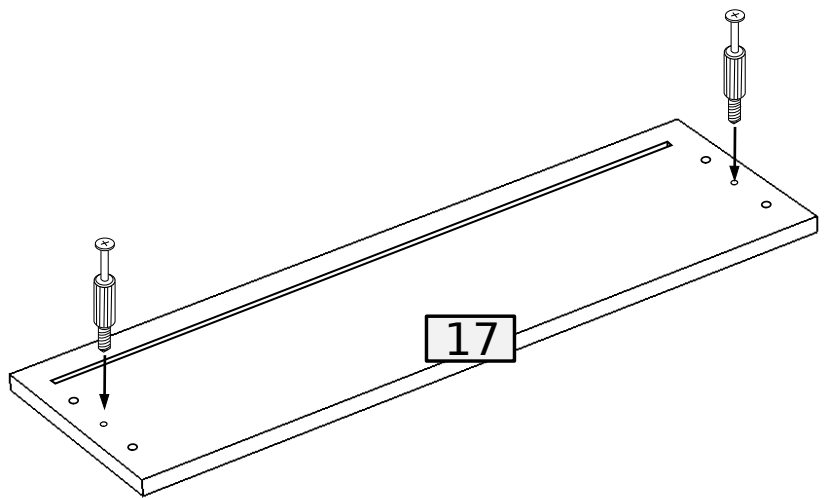
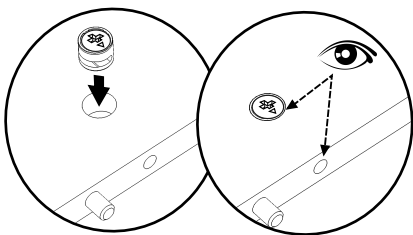
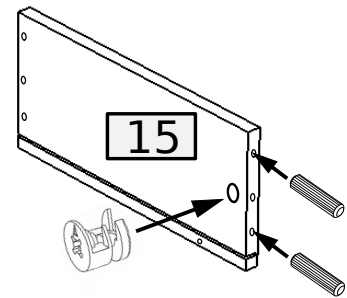
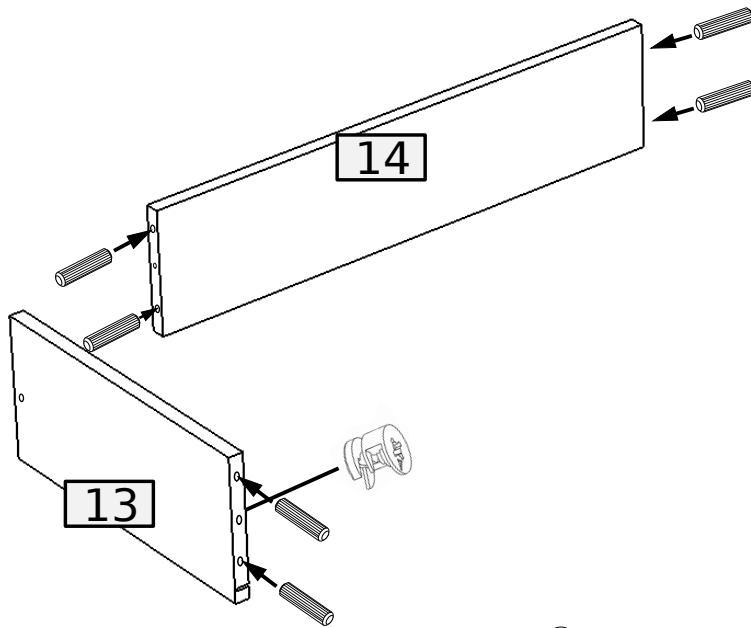
1	1
W4	KS
3.5x16	

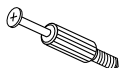
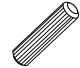

19

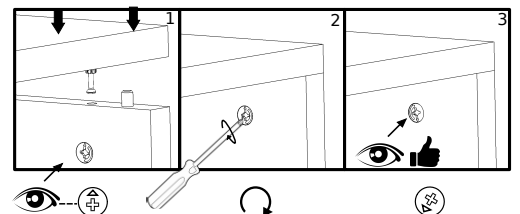


	
3.5x16 W2	Z1
6	3

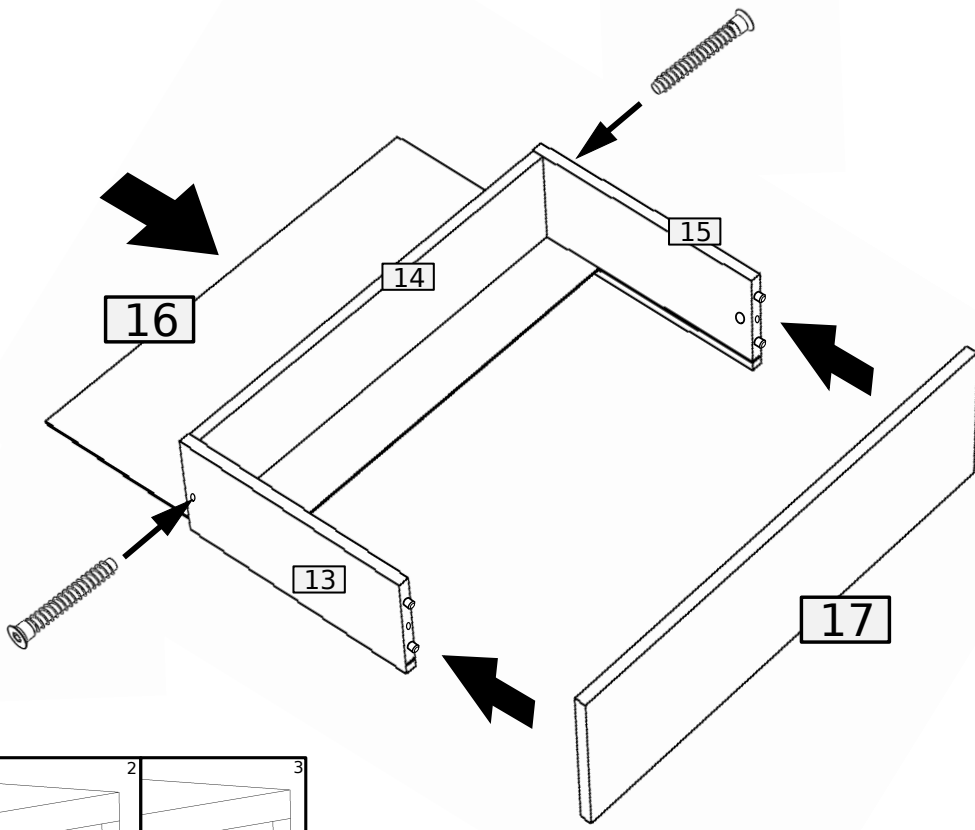
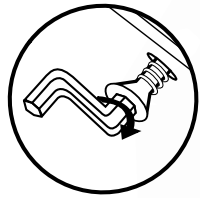
20



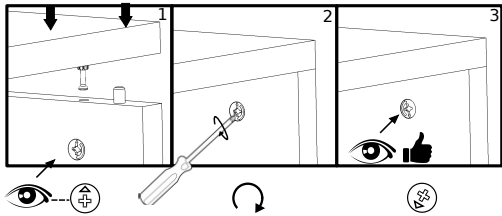
2	8	2
		
A	8.0x35	B



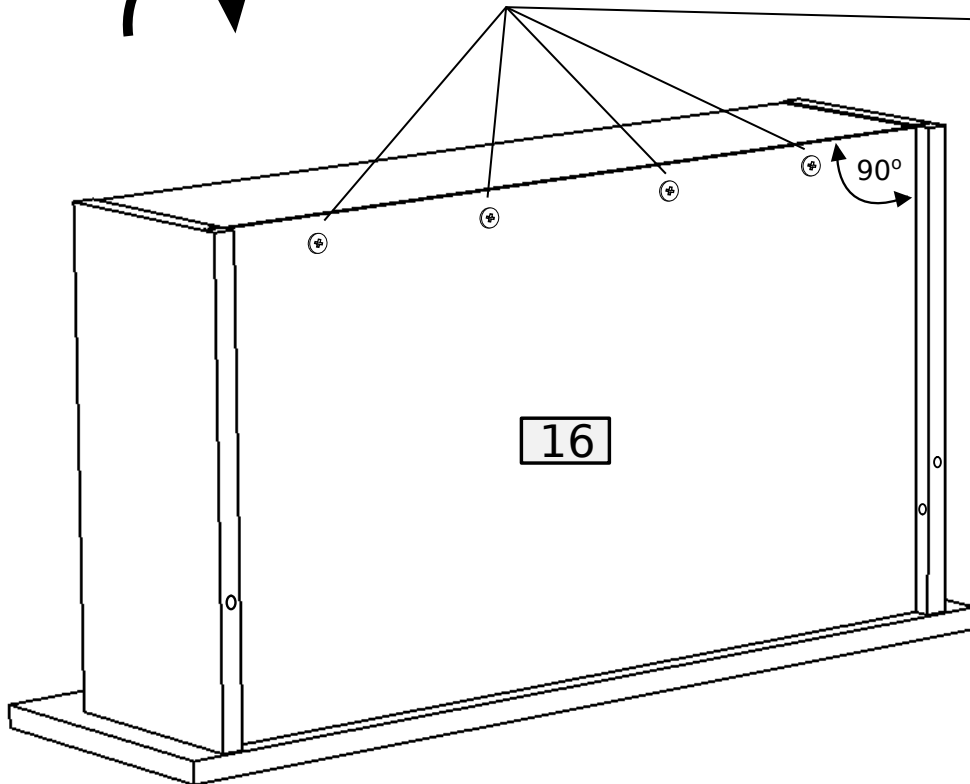
21



U1	O
1	2

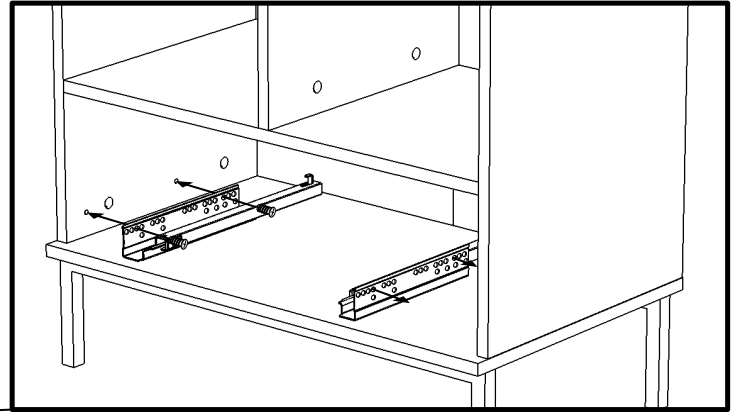
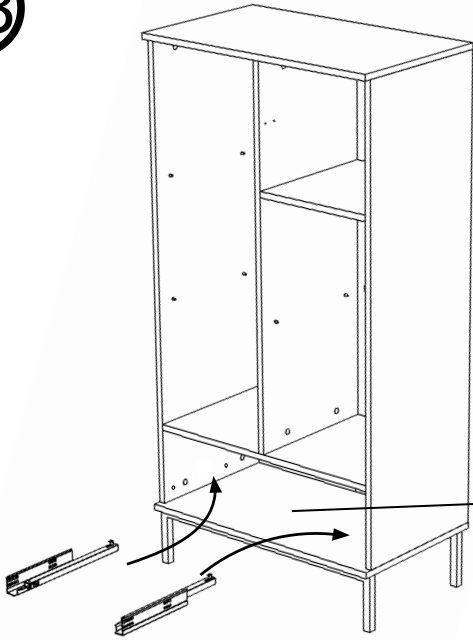



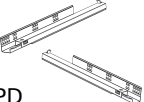
22

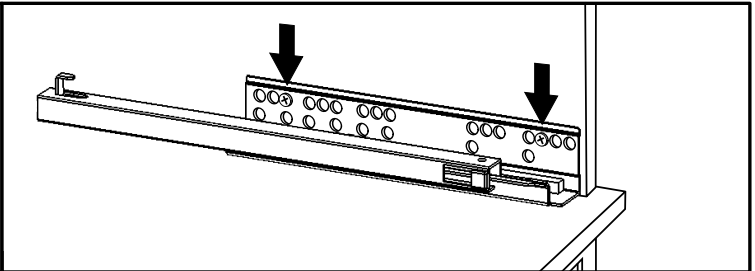
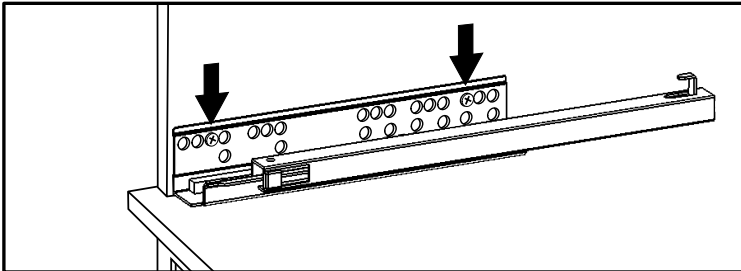


4
3.0x20 W1

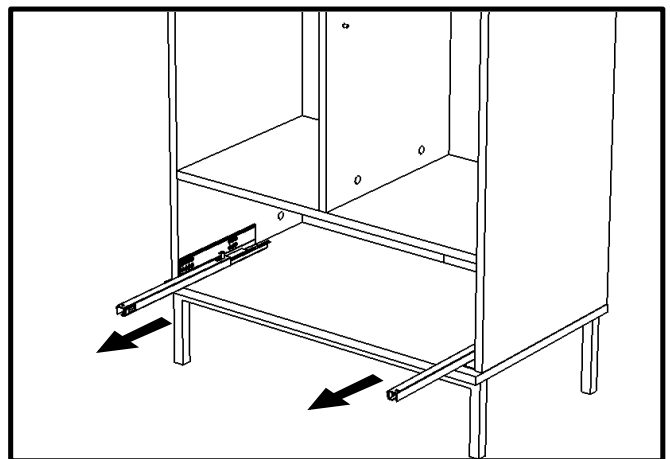
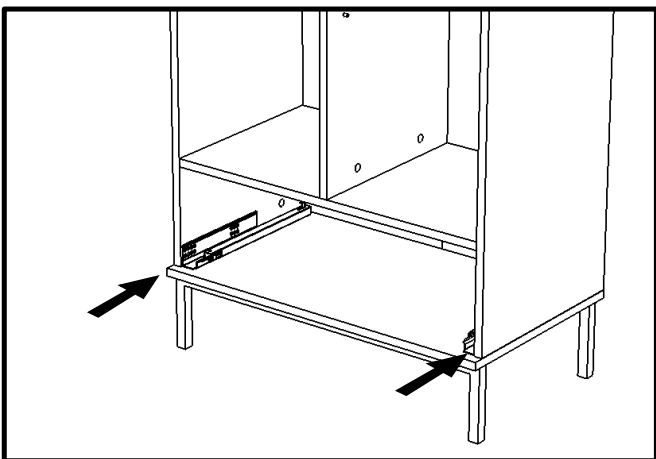
23



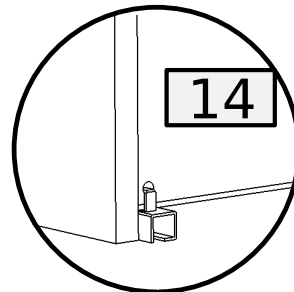
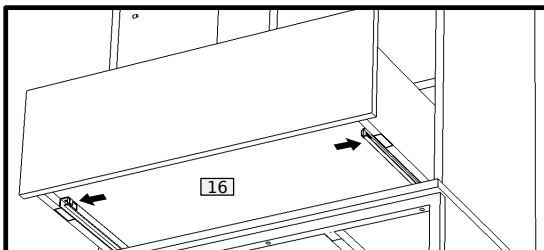
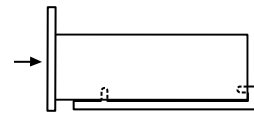
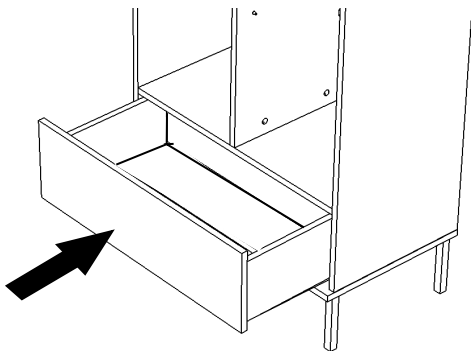
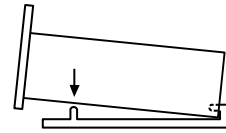
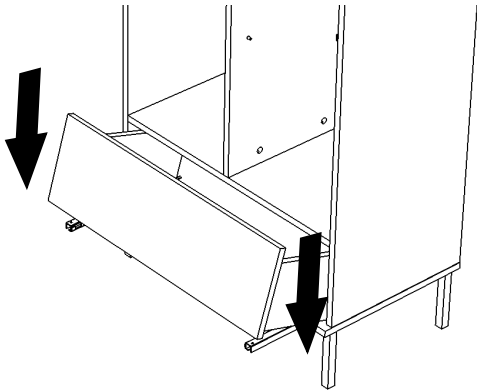
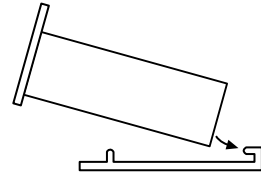
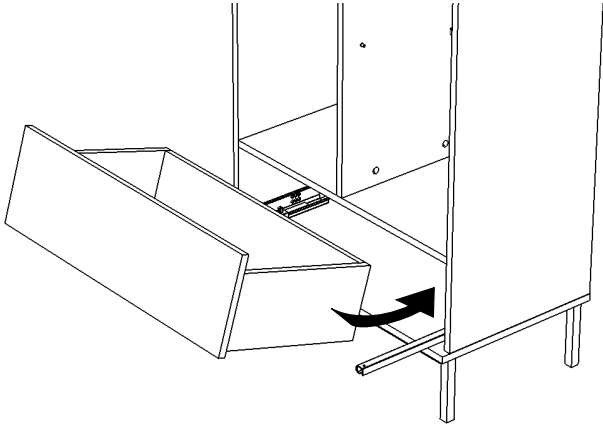
4	1
	
6.3x13	F PD



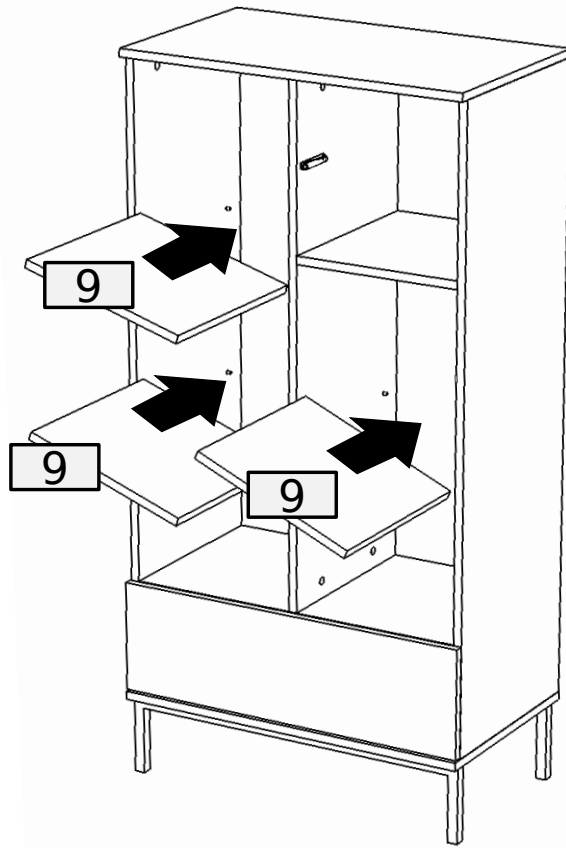
24



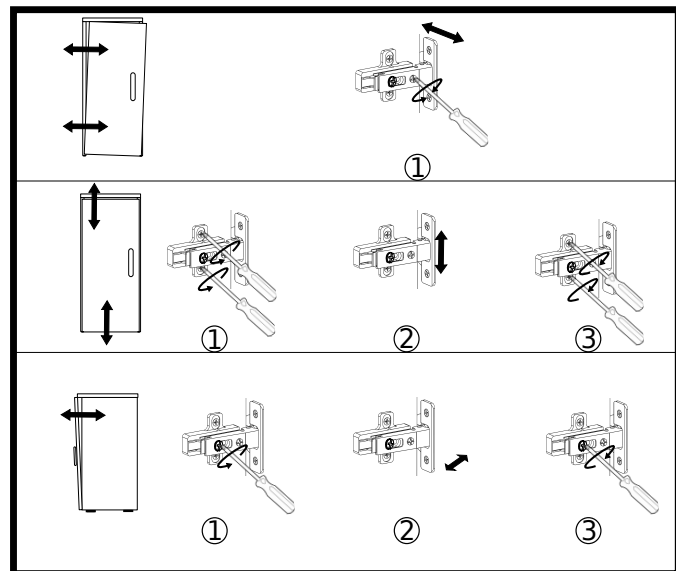
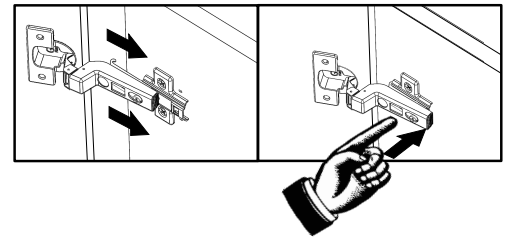
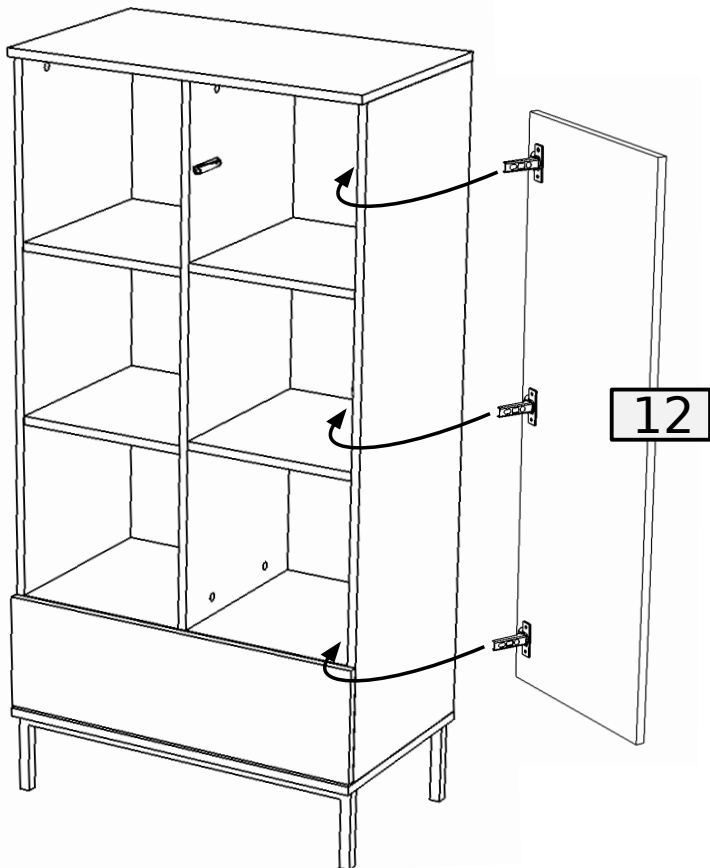
25

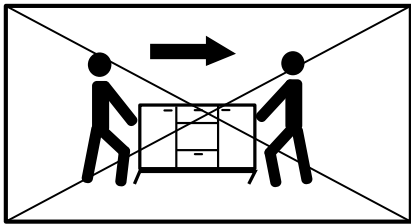
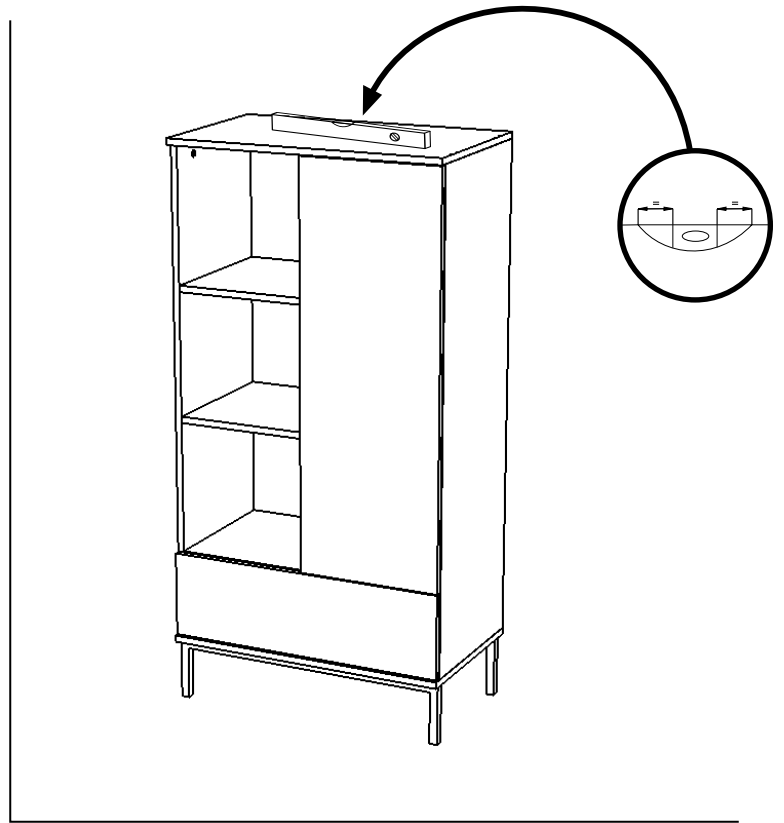
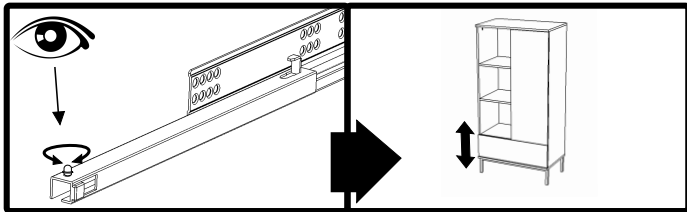
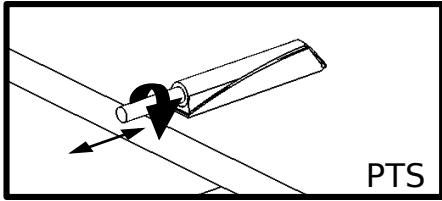
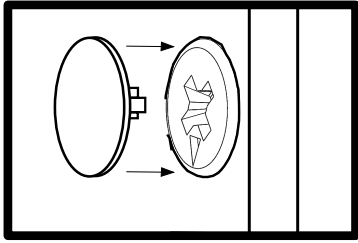


26

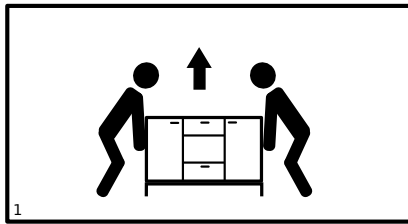


27

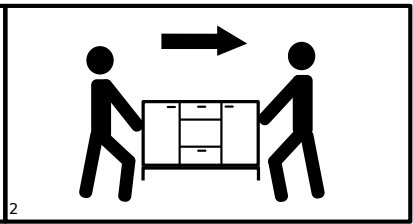




✗



1



2

✓

