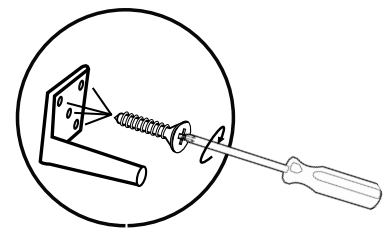
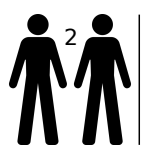
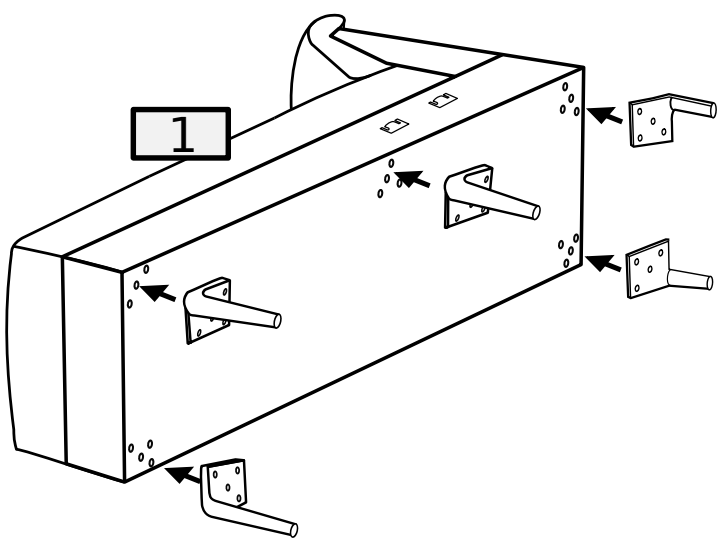
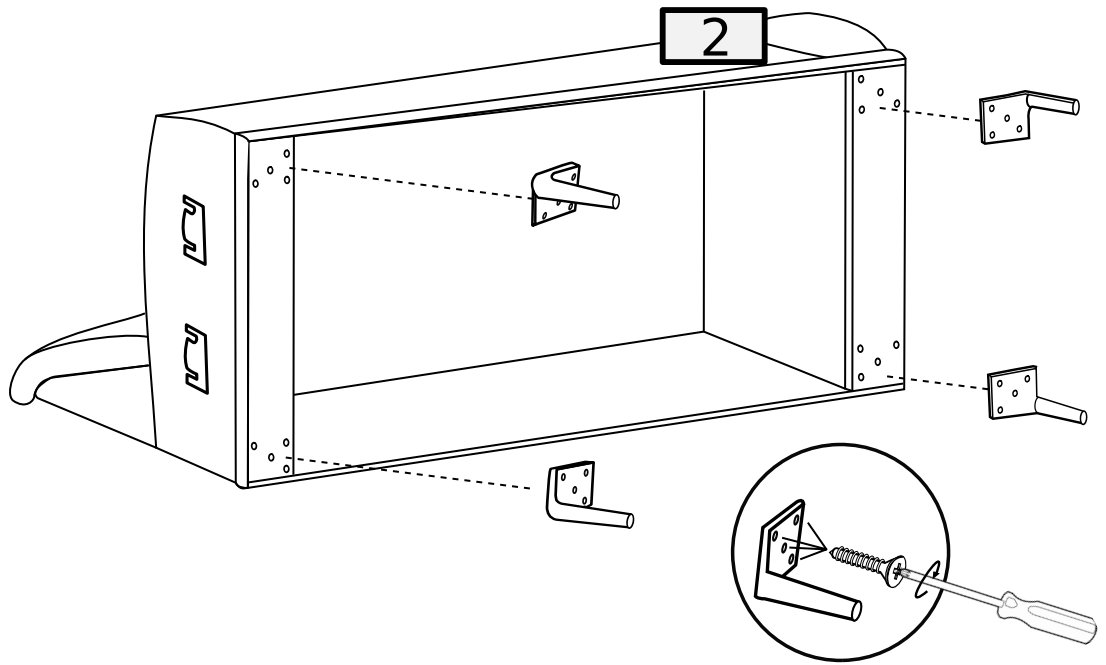
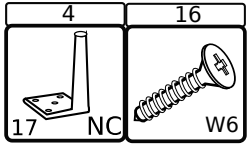


①

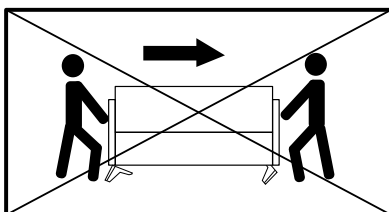
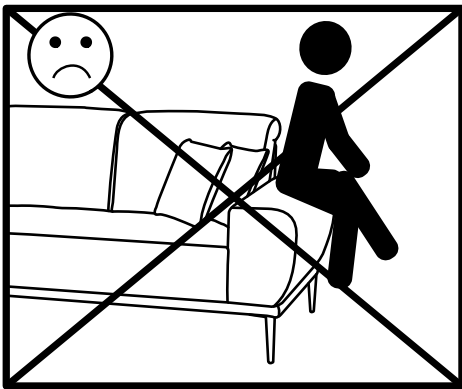
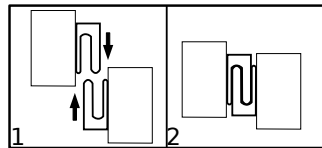
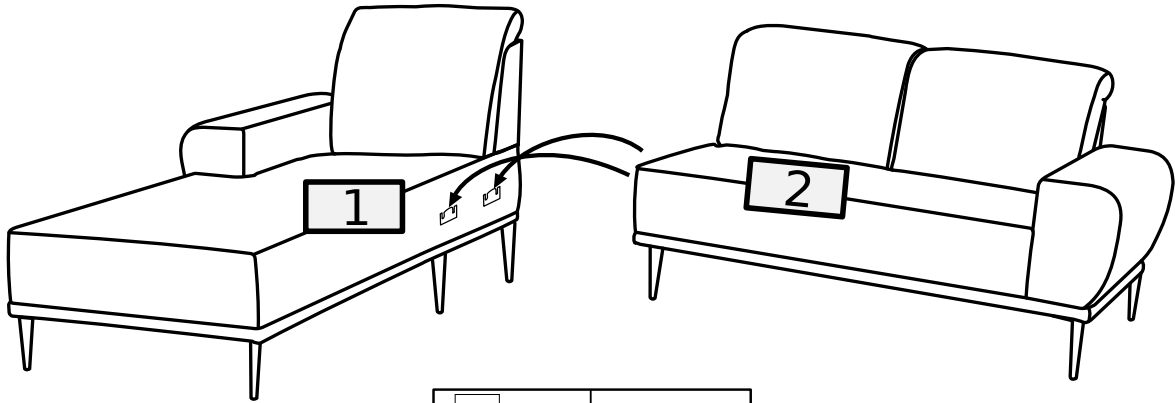
16	5
W6	17 NC



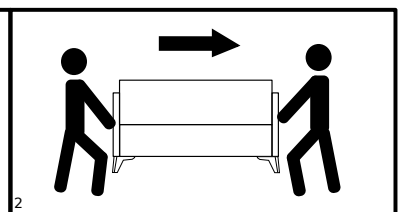
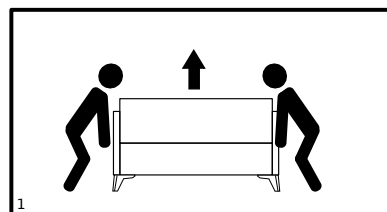
2



3



X



✓