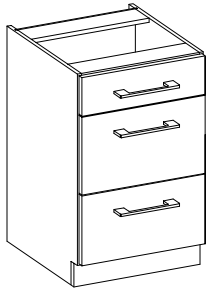


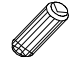
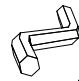


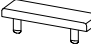




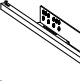

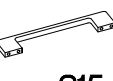


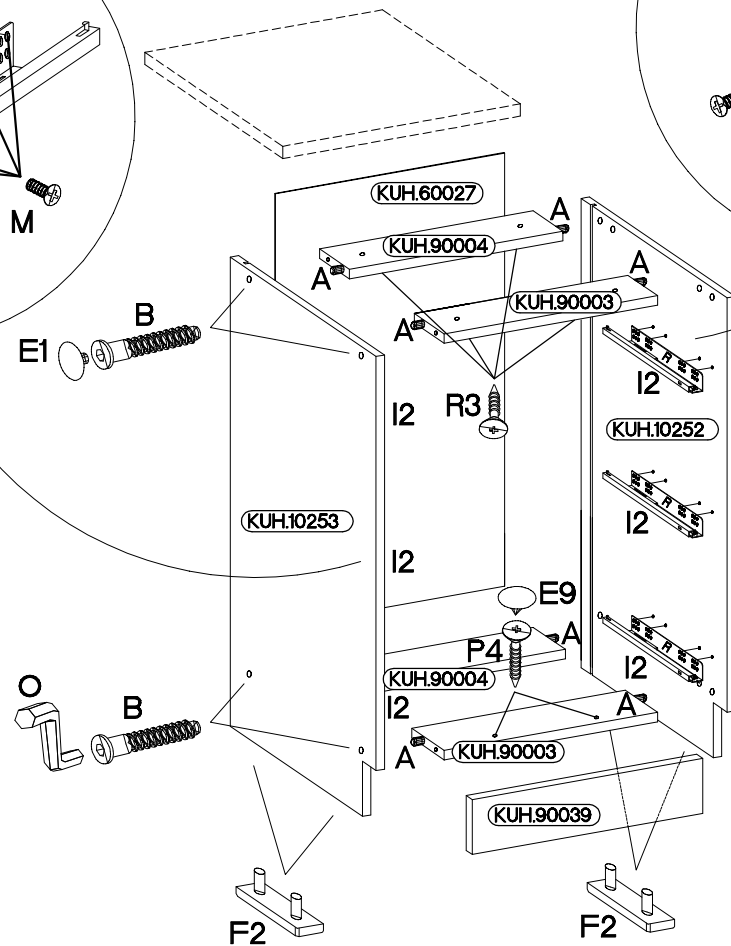
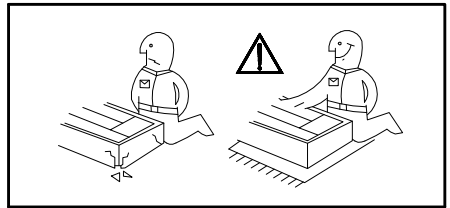
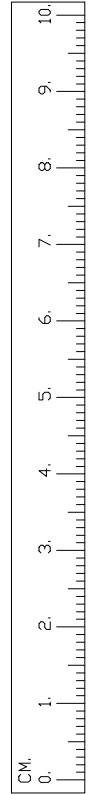
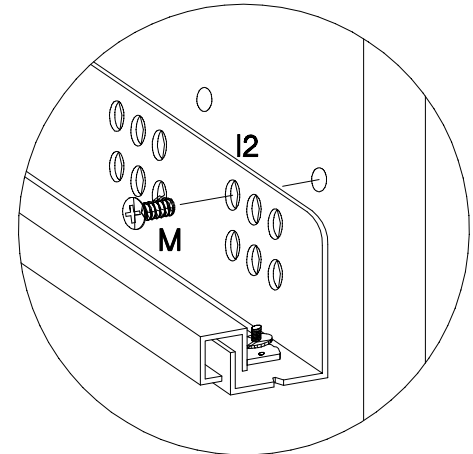
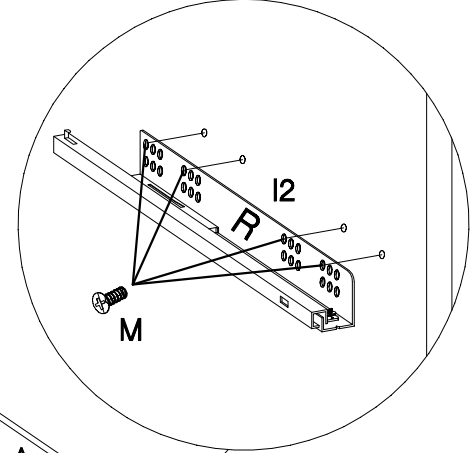
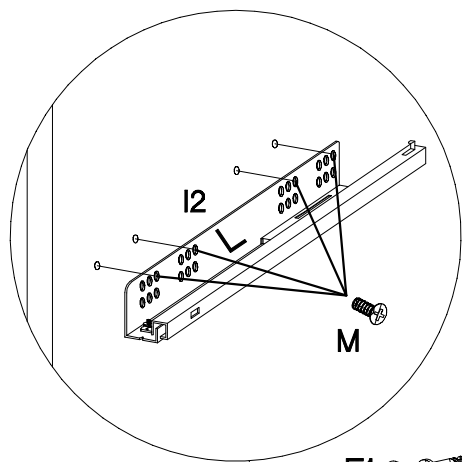
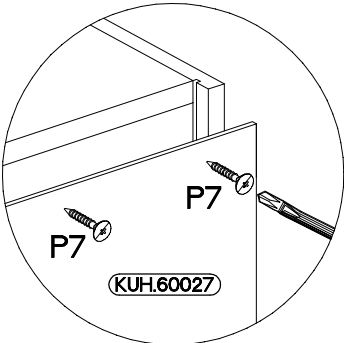
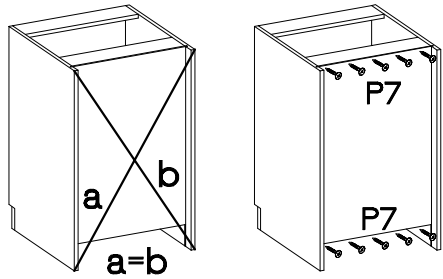


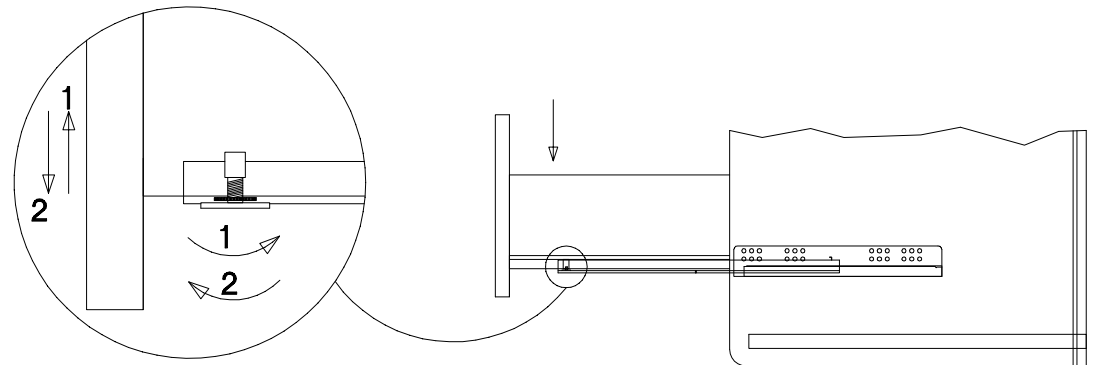
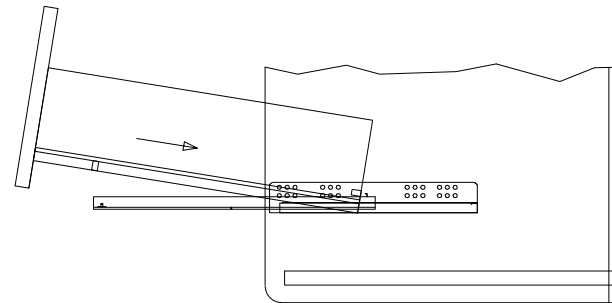
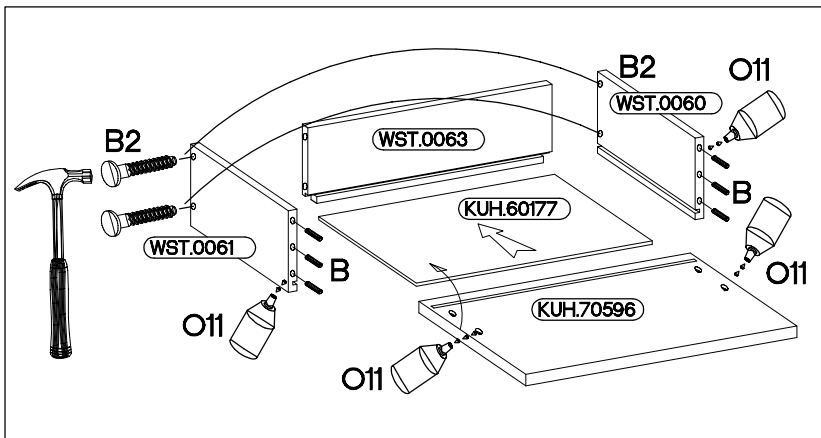
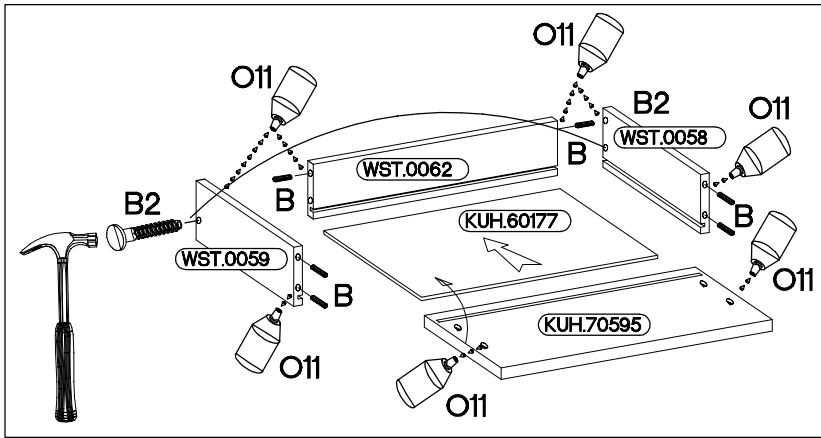
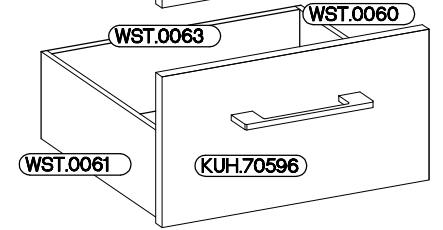
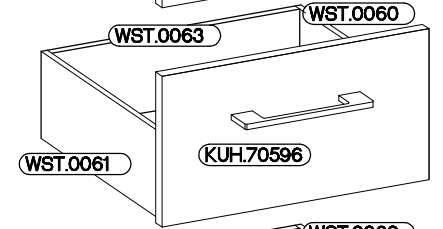
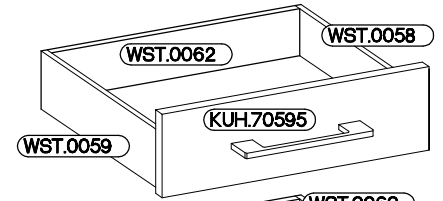
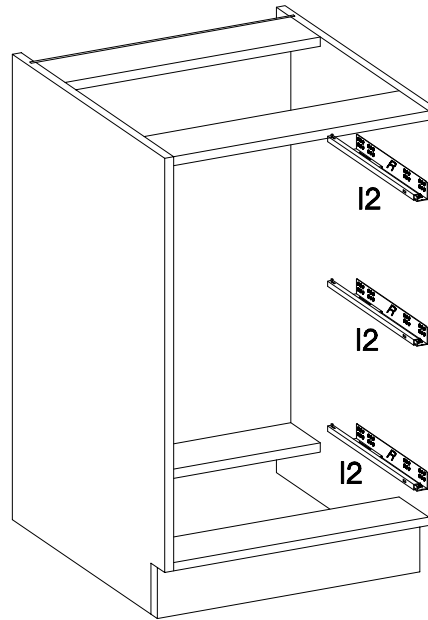
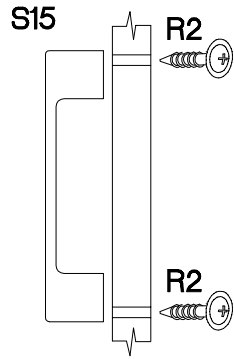
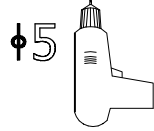
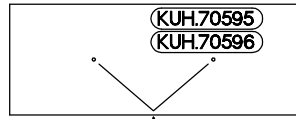
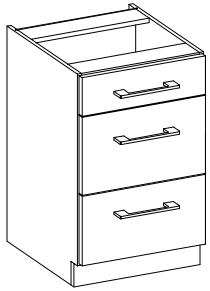
40 D 3S BB



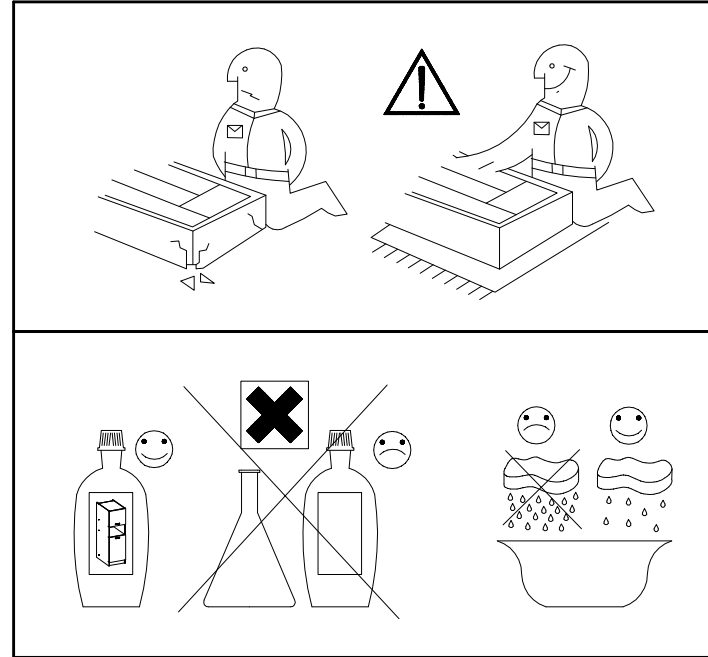
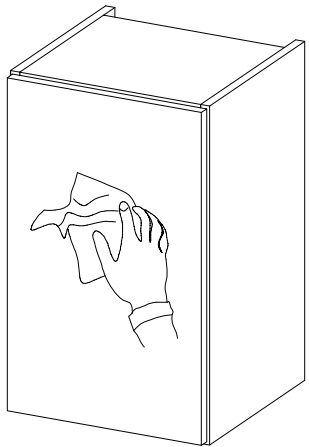
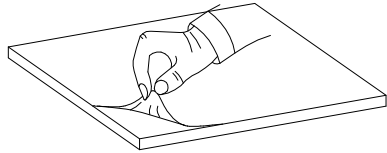
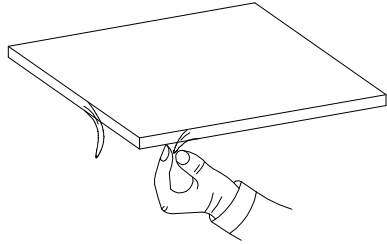
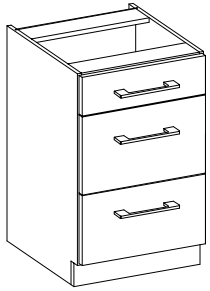
 B 8	 E1 8	 A 26	 O 1	$\pm 3.0 \times 20 \text{mm}$  P7 10-15	$\pm 4.0 \times 35 \text{mm}$  R3 4	 F2 4	$\pm 4.0 \times 45 \text{mm}$  P4 2	 E9 2	$\pm 6.3 \times 13 \text{mm}$  M 24	 L 450L 3	 R I2 3	 O11 1
 S15 3	$\pm 4.0 \times 30 \text{mm}$  R2 6	 B2 10										



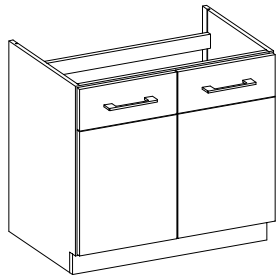
40 D 3S BB





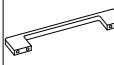

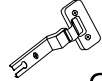
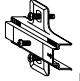

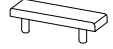



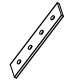


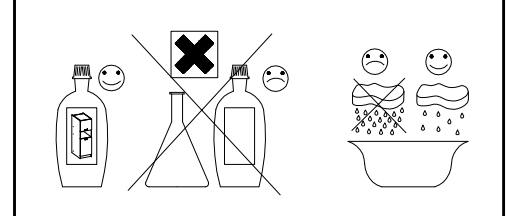
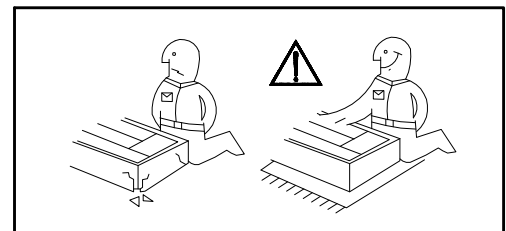
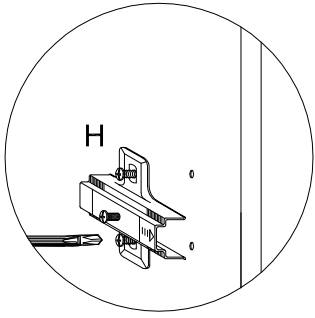
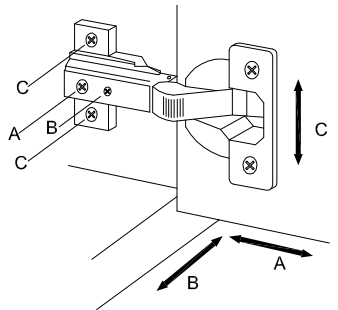
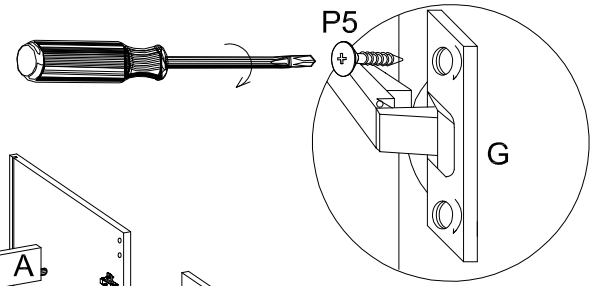
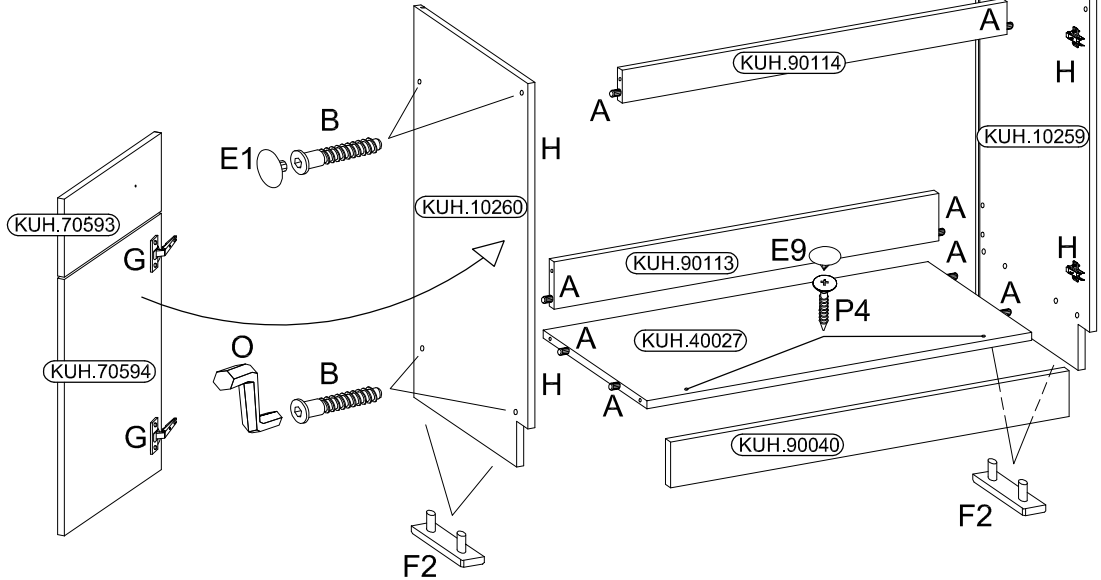
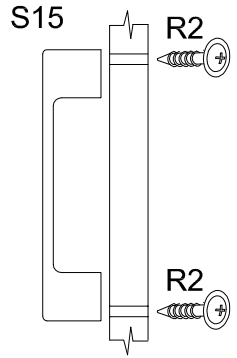
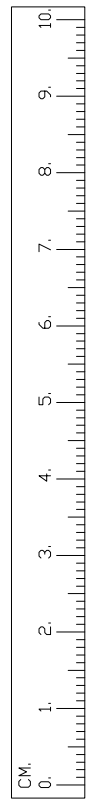
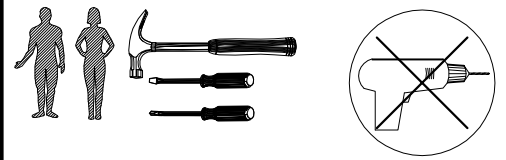
40 D 3S BB



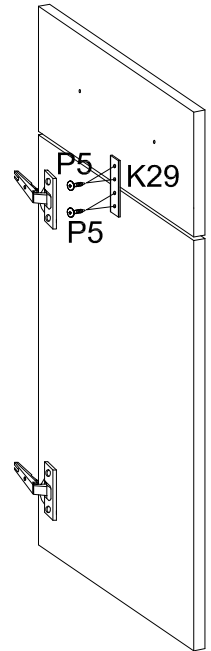
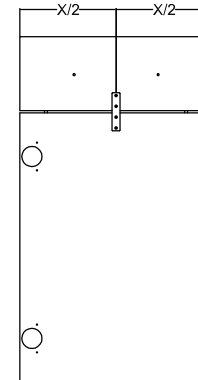
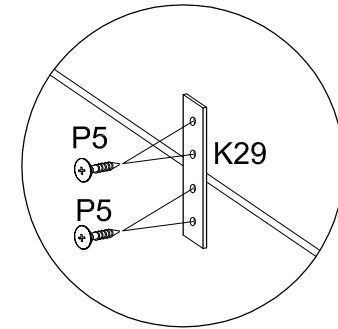
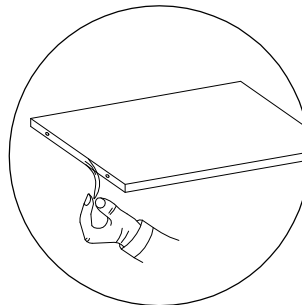
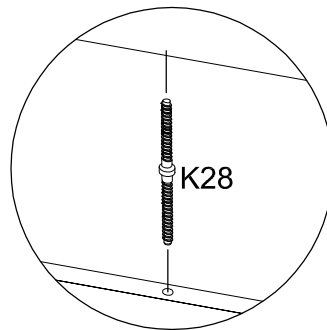
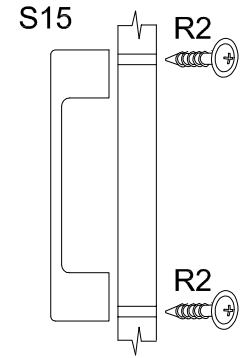
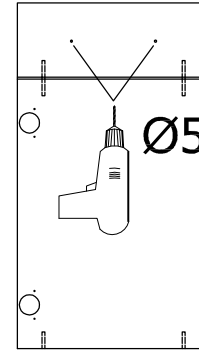
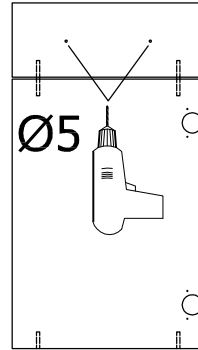
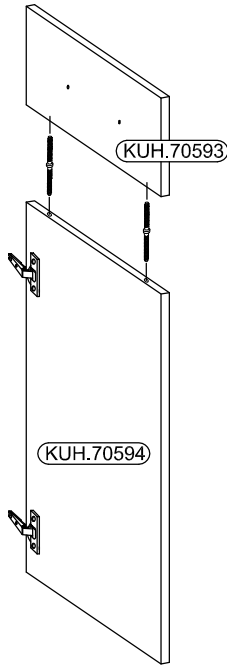
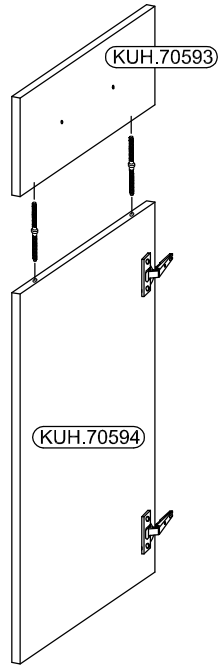
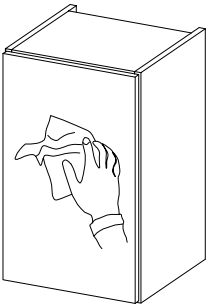
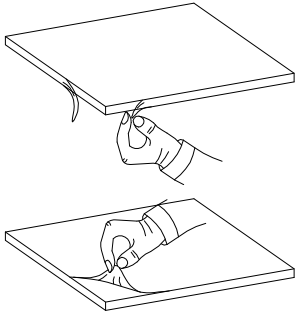
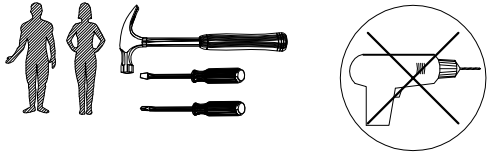
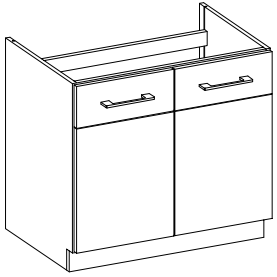
80 ZL 2F BB



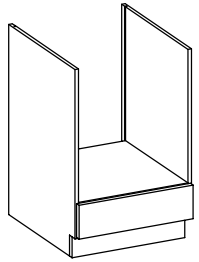
 B 8	 E1 8	 A 8	 O 1	 S15 2	 R2 4	 G 4	 H 4	 P5 16	 F2 4	 P4 2	 E9 2
 K28 4	 K29 2										




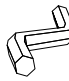


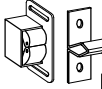




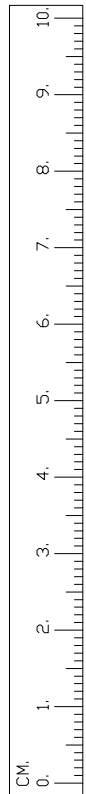
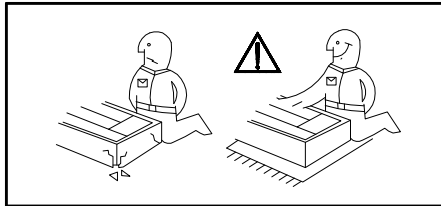
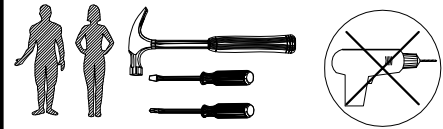
80 ZL 2F BB



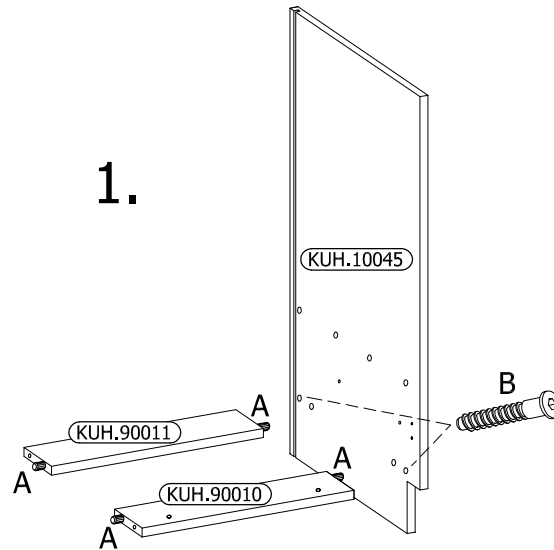
60 D GAZ BB



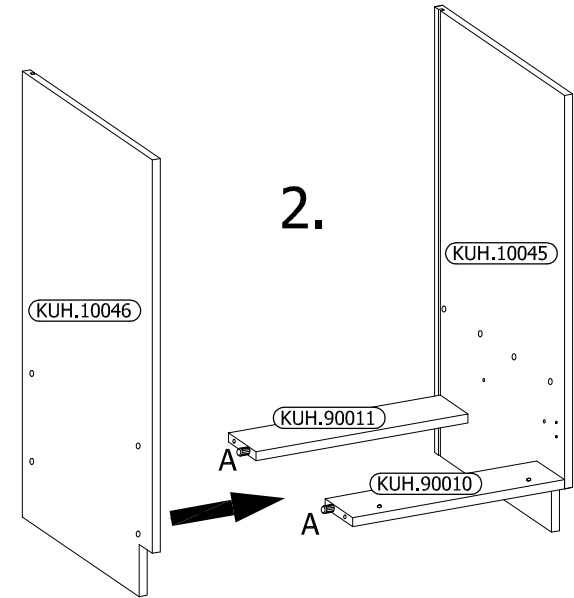
								
8	8	8	1	8	8-10	2	4	2



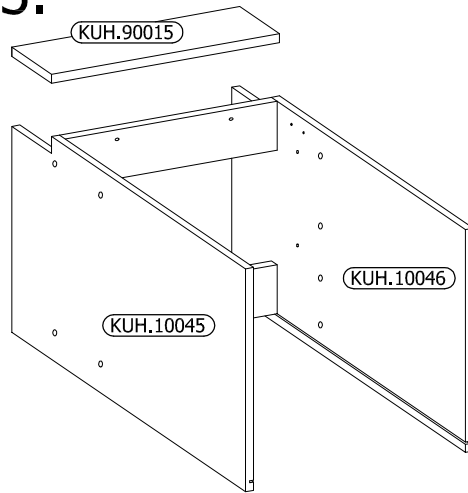
1.



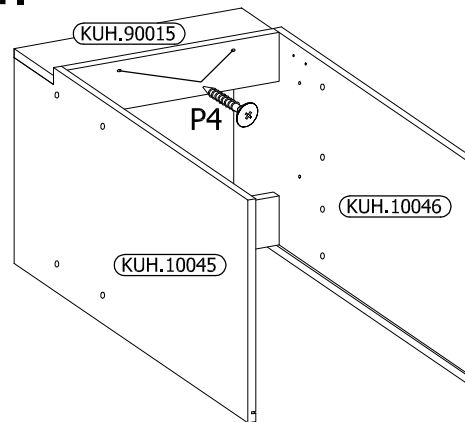
2.



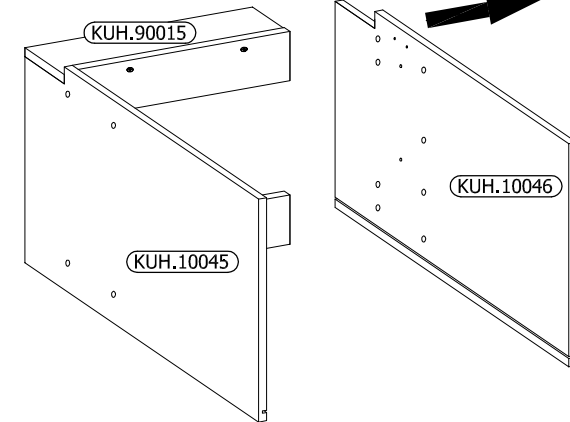
3.



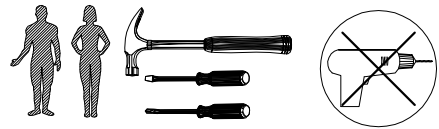
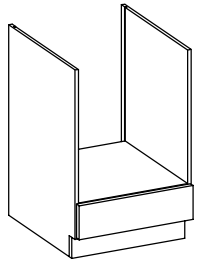
4.



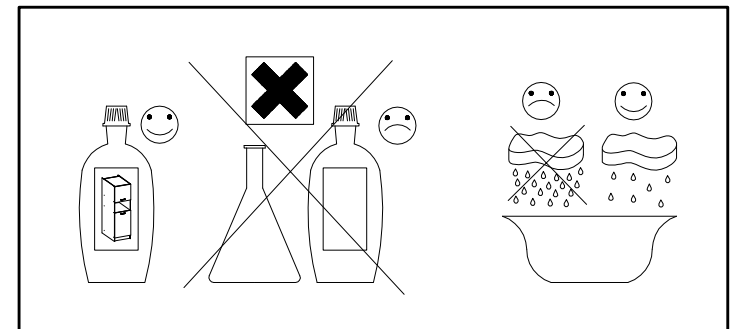
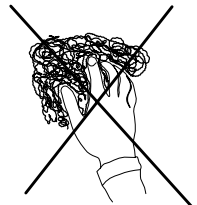
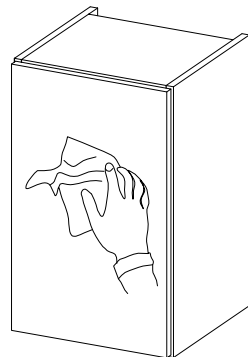
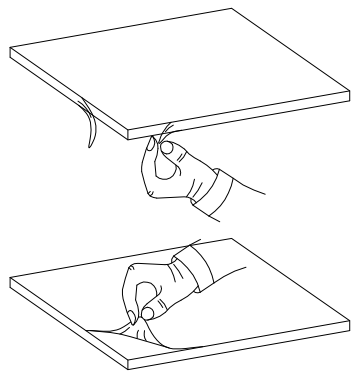
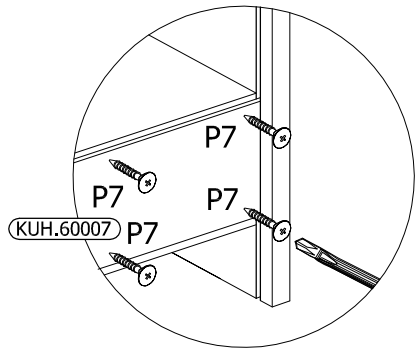
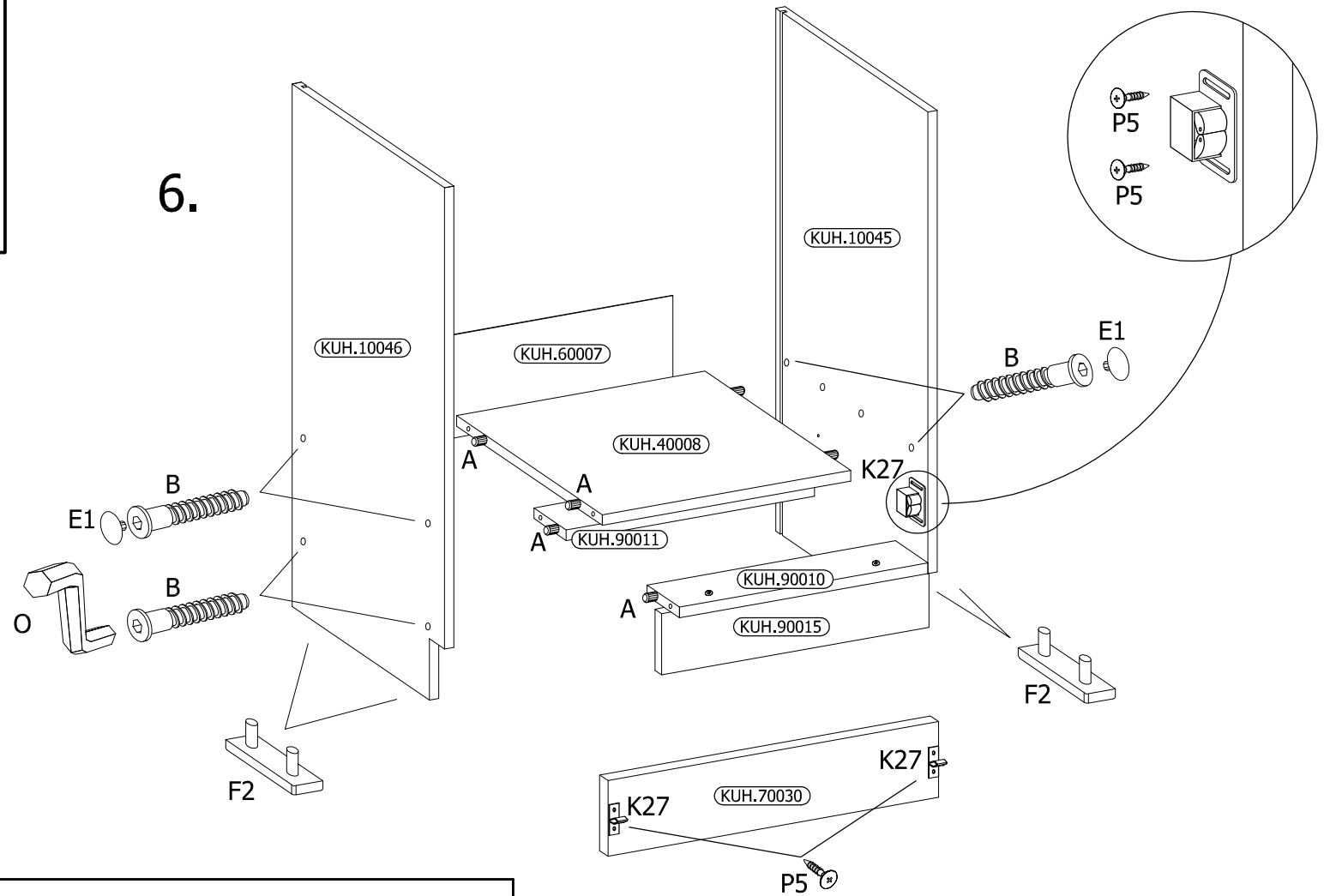
5.



60 D GAZ BB




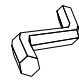
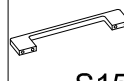




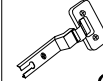
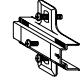

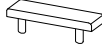







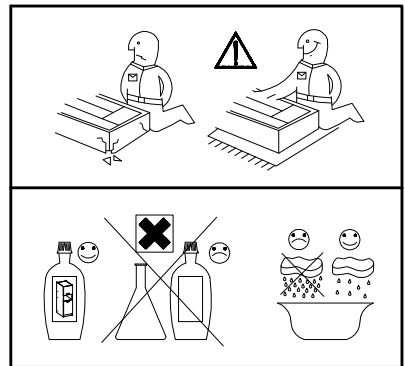
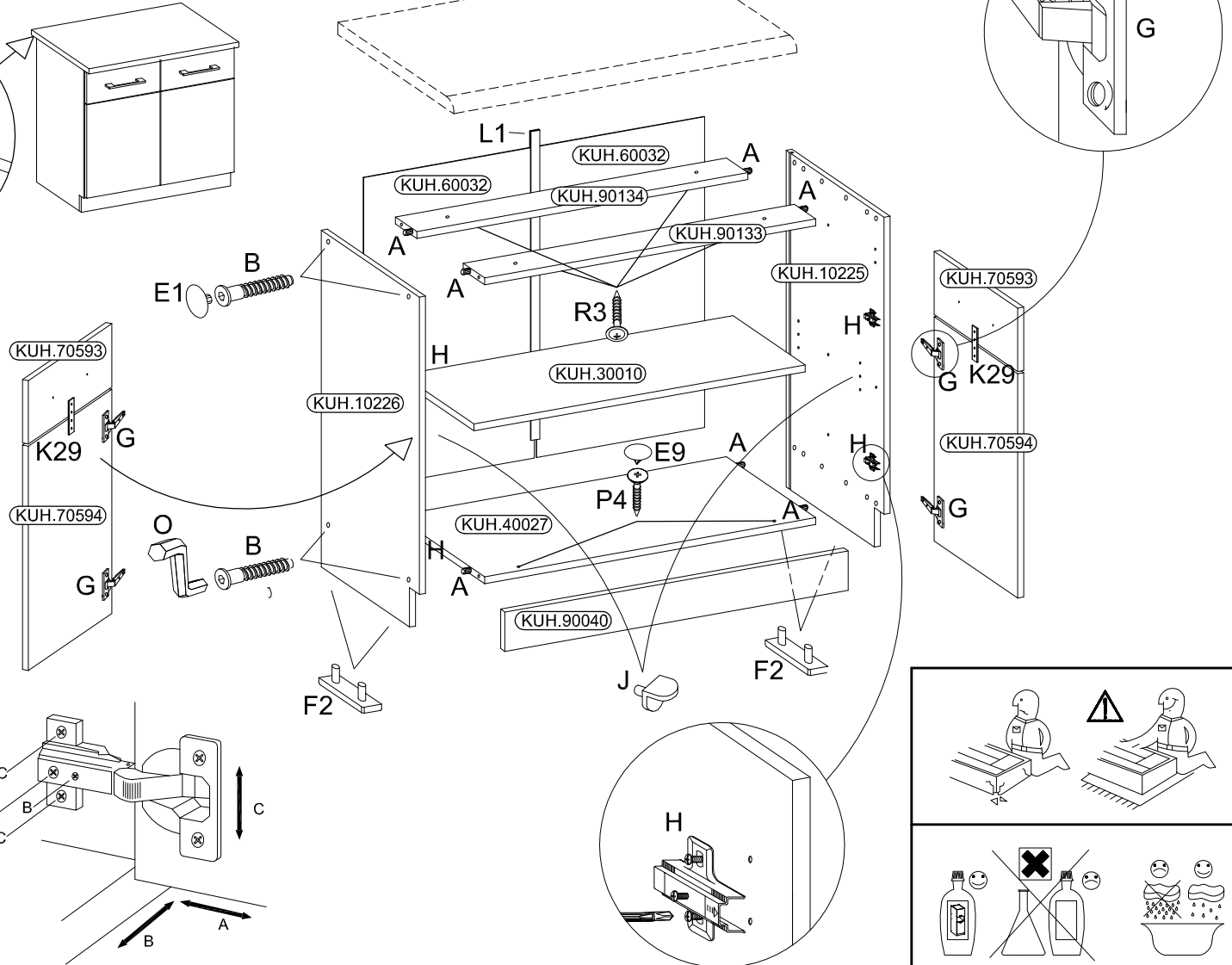
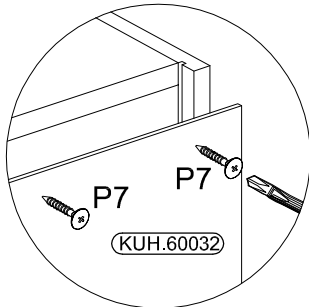
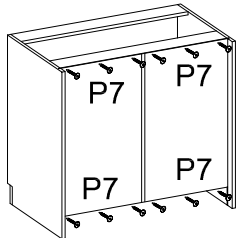
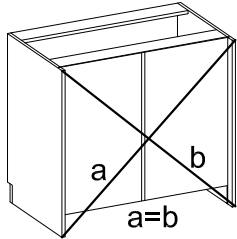
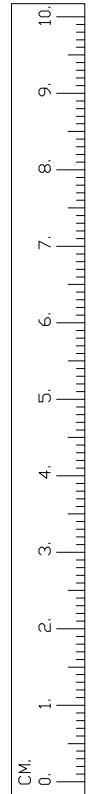
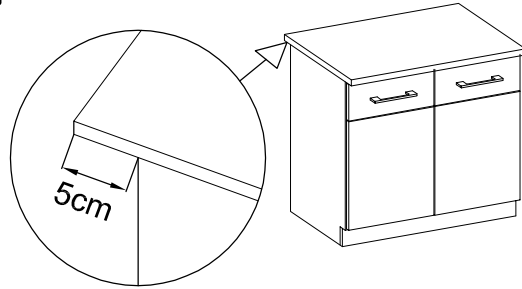
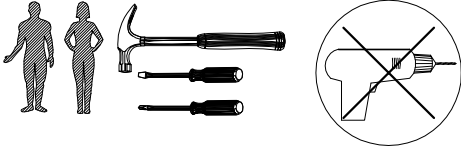
6.



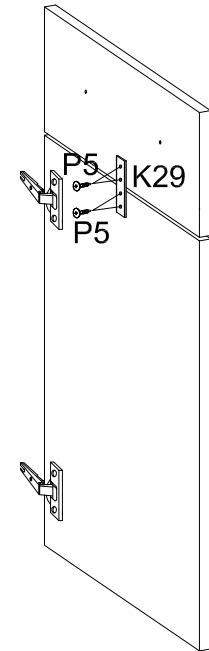
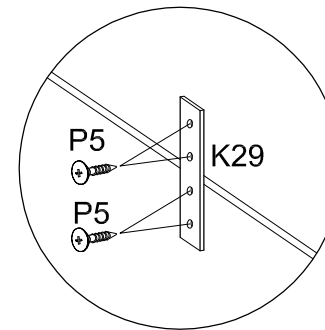
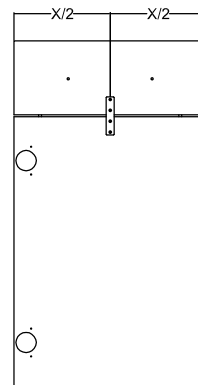
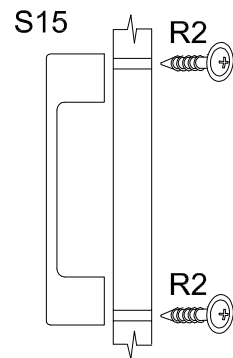
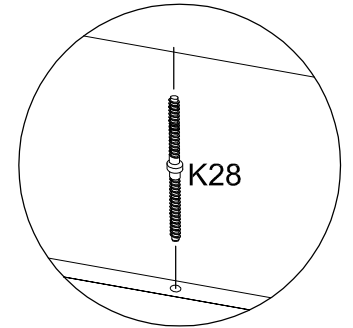
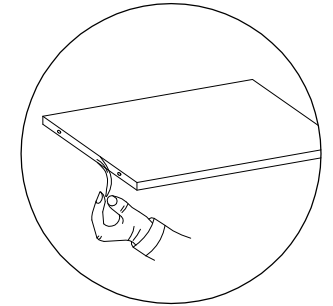
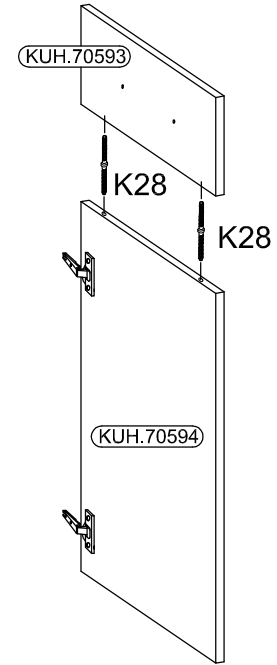
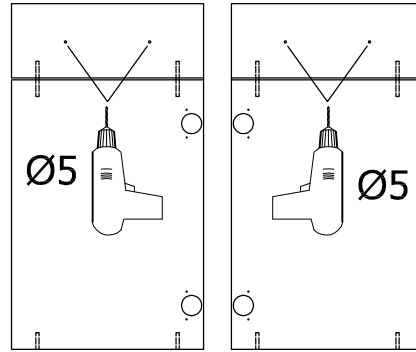
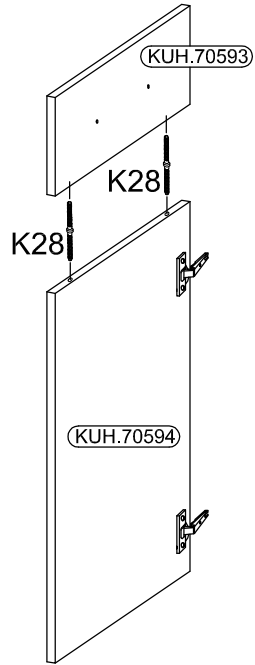
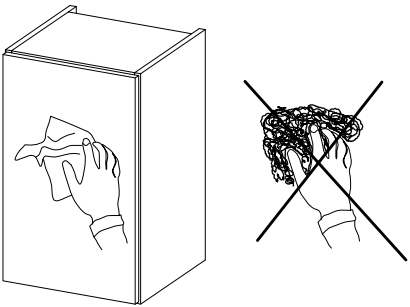
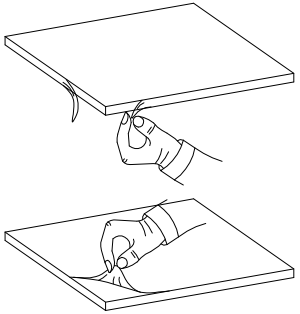
80 D 2F BB



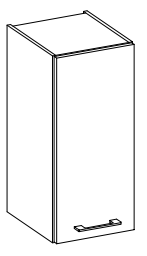
 B	 E1	 A	 O	 S15	 R2	 P7	 J	 L1	 G	 H	 P5	 F2
8	8	8	1	2	4	10-15	4	1	4	4	16	4
 R3	 P4	 E9	 K29	 K28								
4	2	2	2	4								



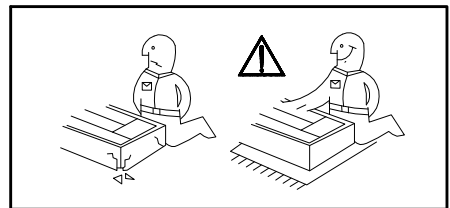
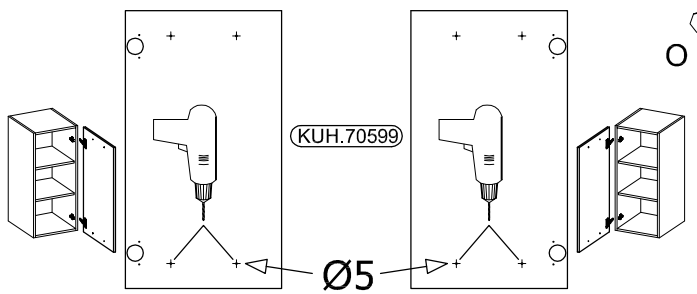
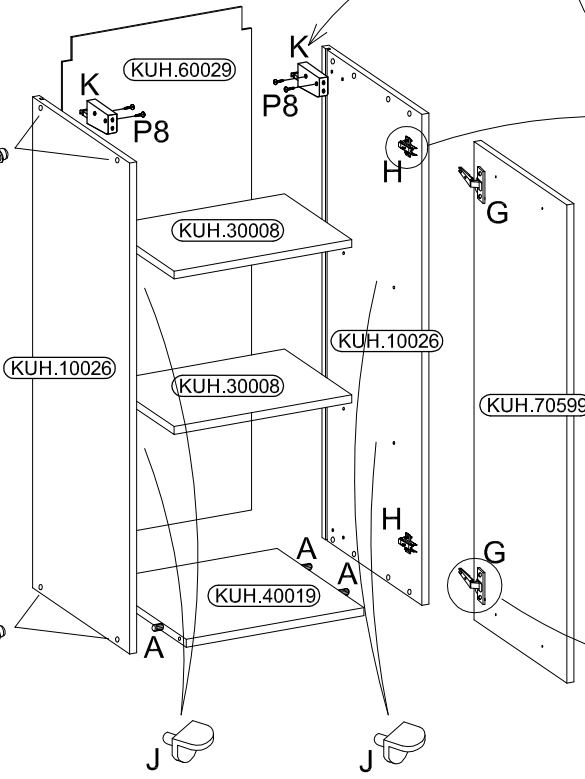
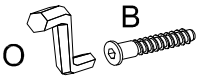
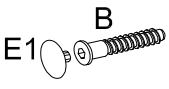
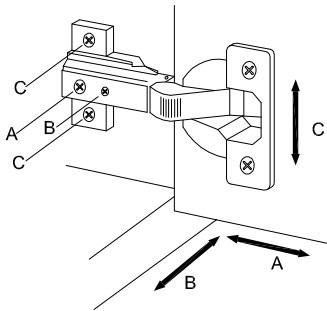
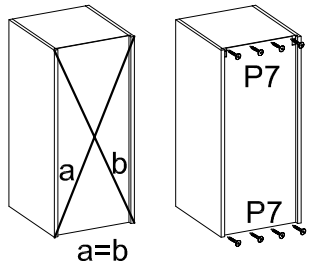
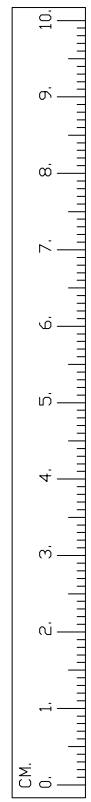
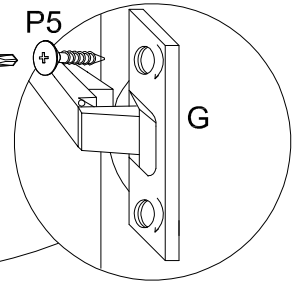
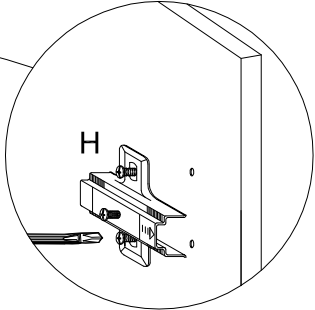
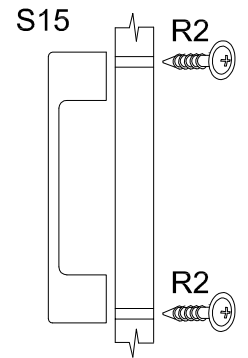
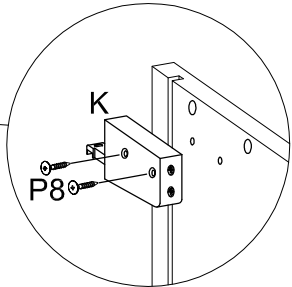
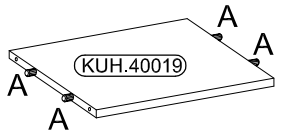
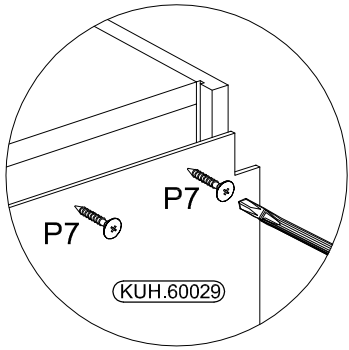
80 D 2F BB



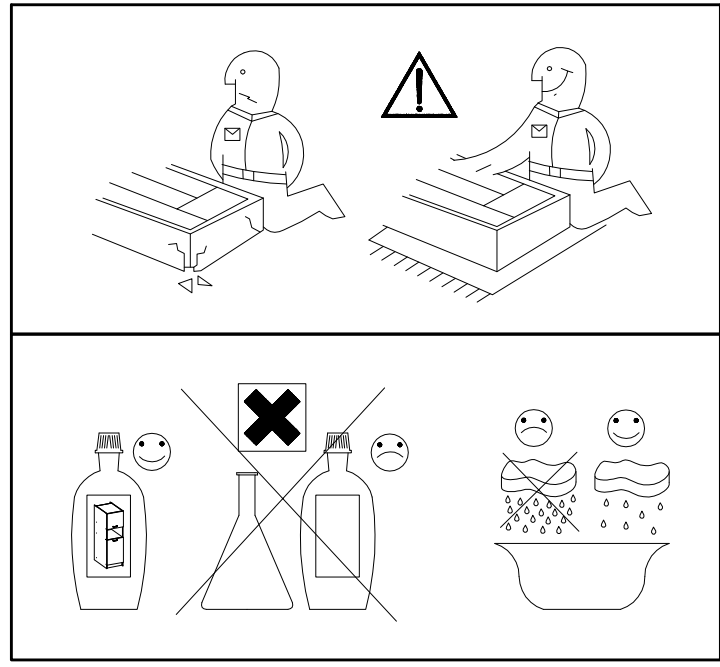
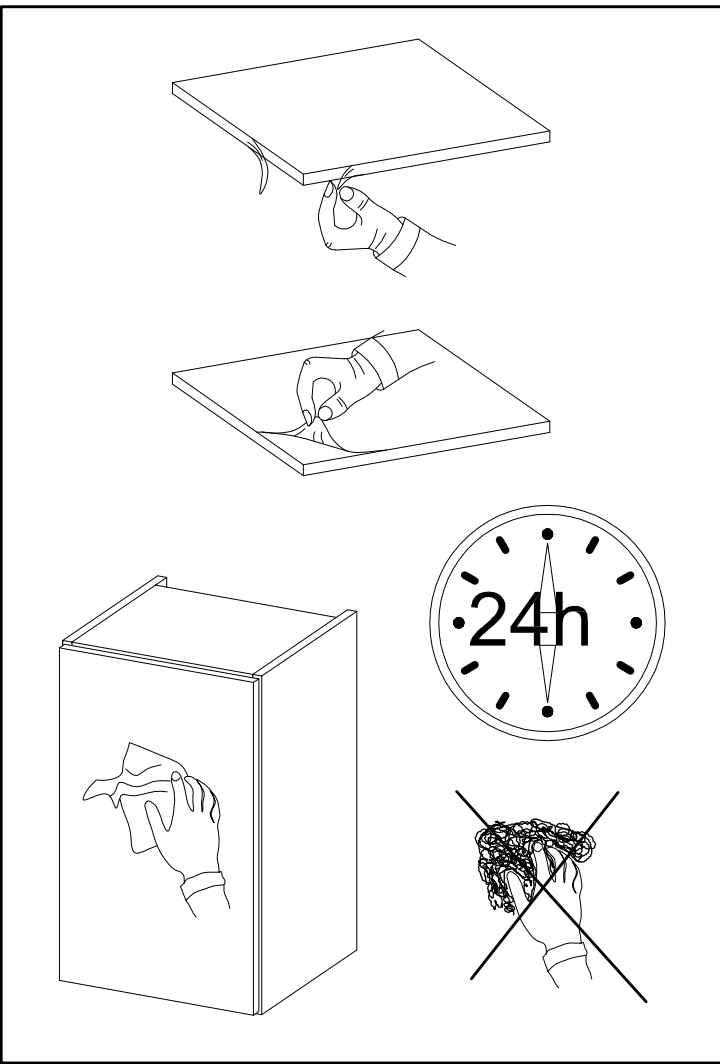
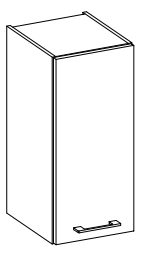
40 G-72 1F

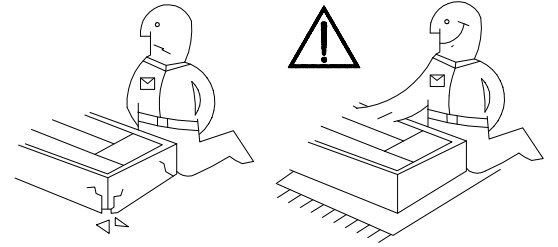
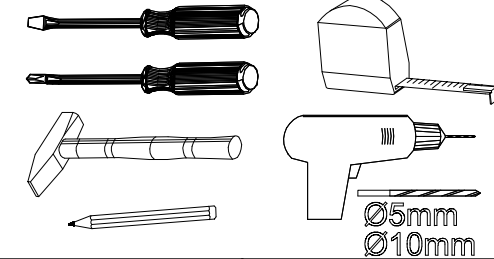
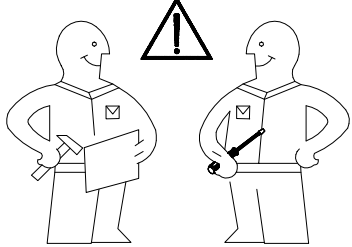


8	8	8	1	1	2	8-10	8	2	2	4	2	4

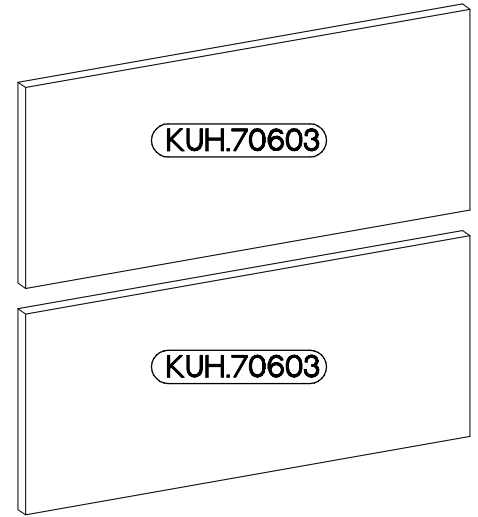
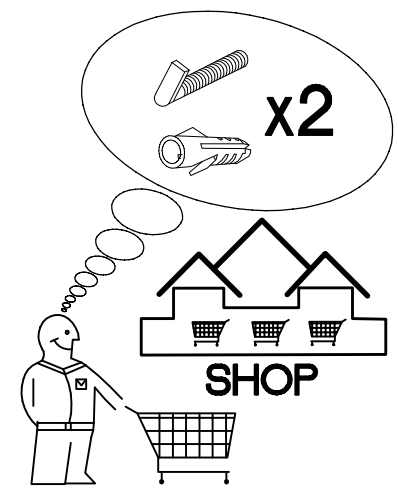
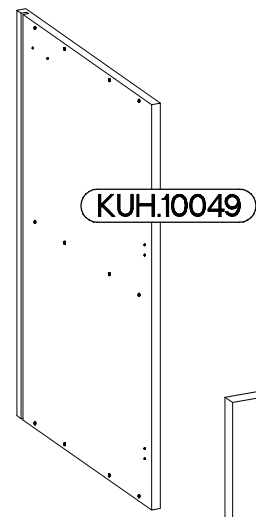
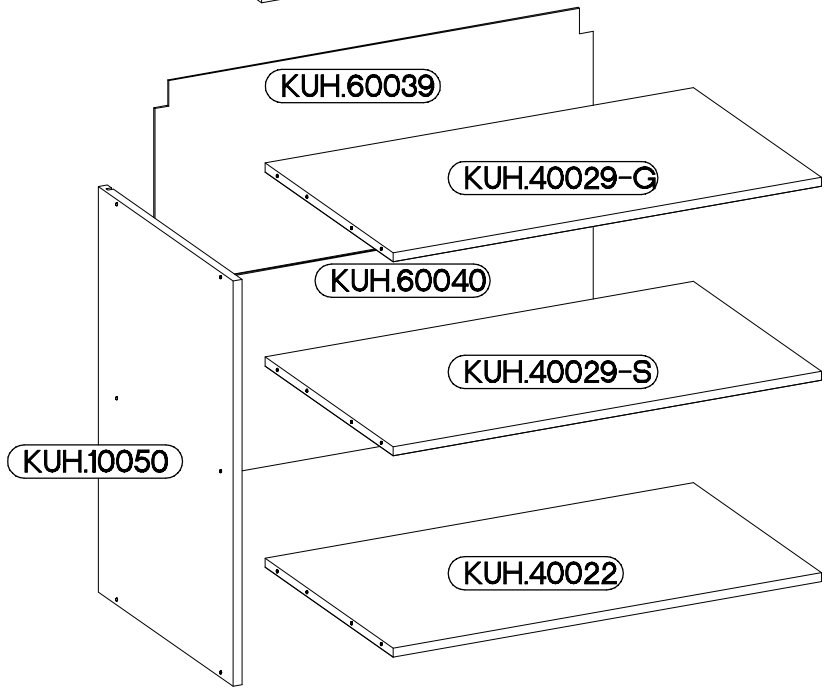
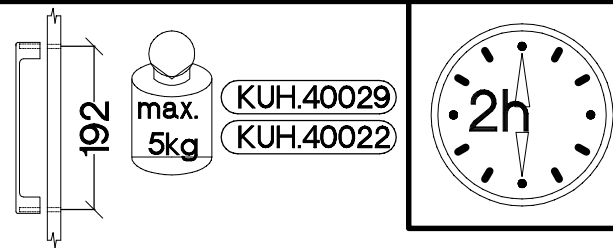
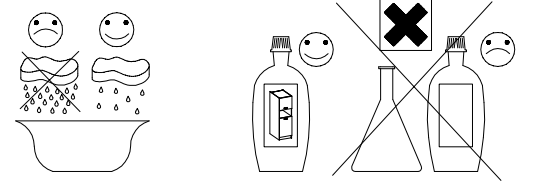
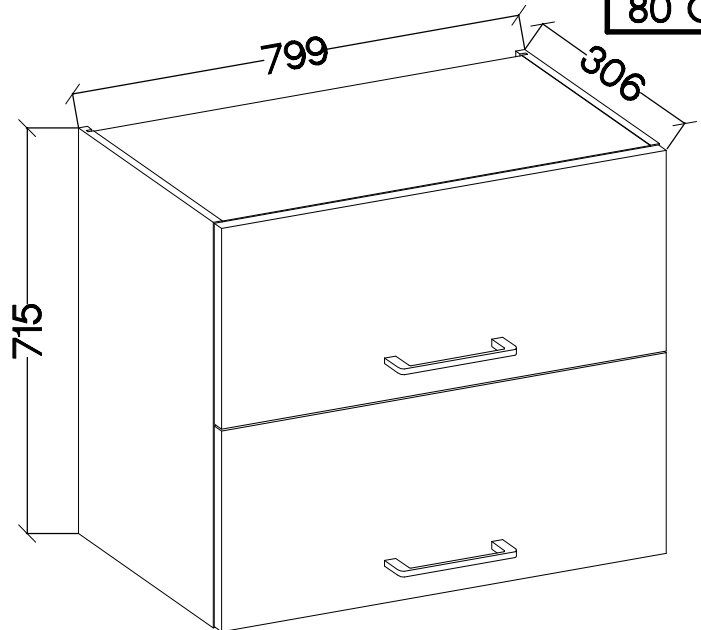


40 G-72 1F

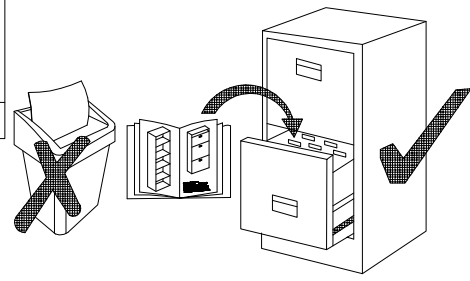




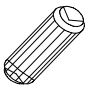
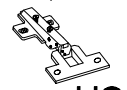

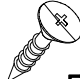
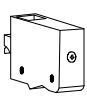
80 GU-72 2F

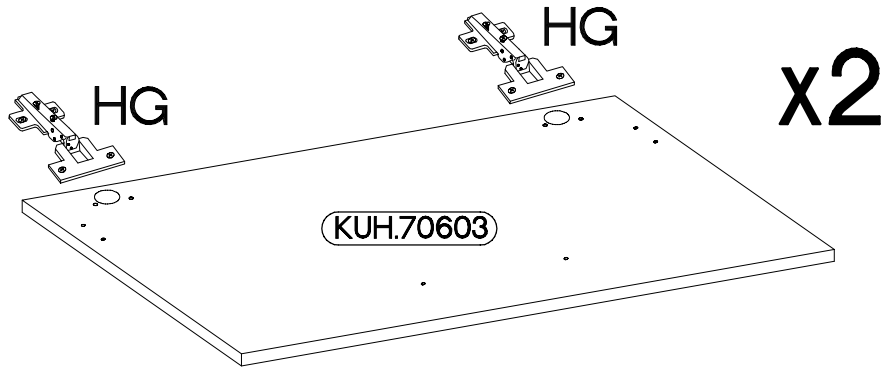
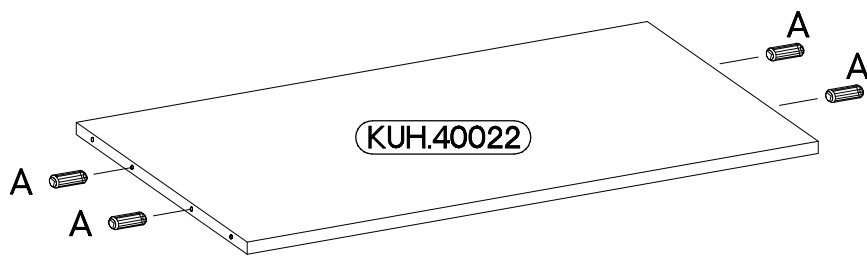
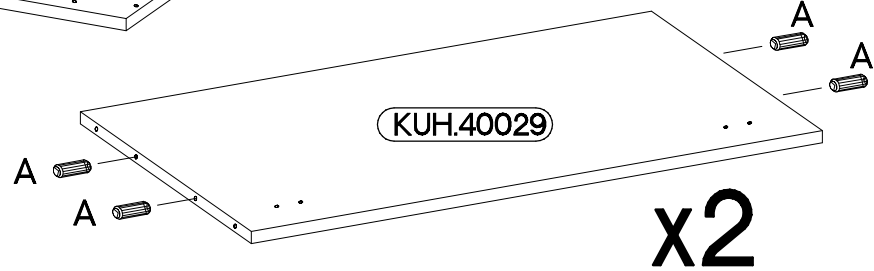
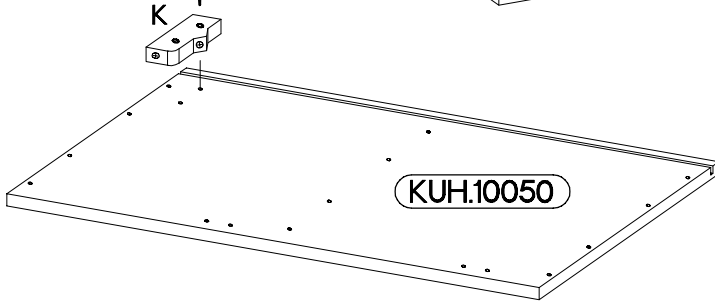
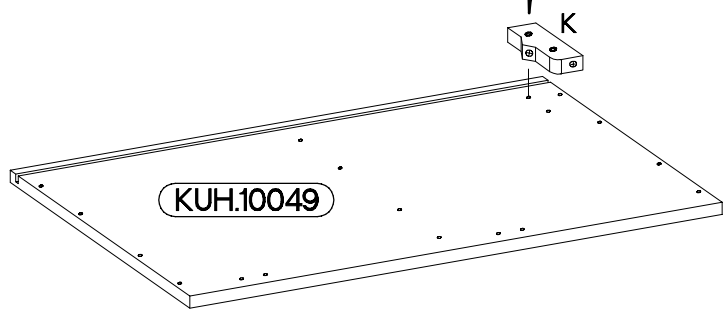
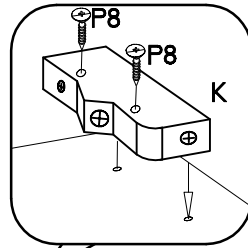
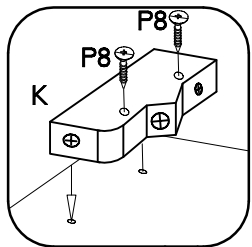
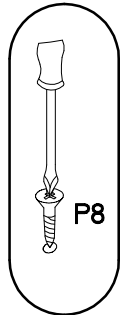
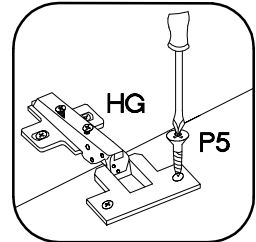
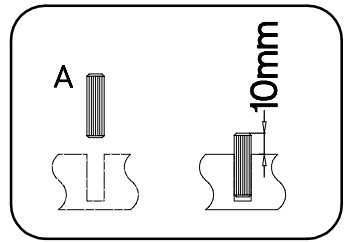
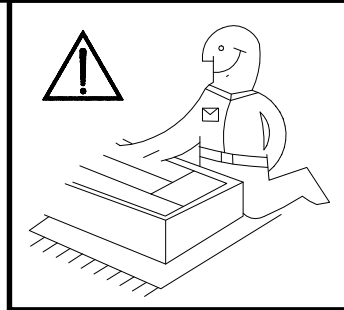


A 12	B 12	E1 12	HG 4	J5 4	K 2	K24 4
L2 5	O 1	P5 8	P7 10-15	P8 4	R2 4	S15 2

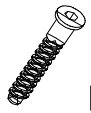
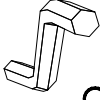



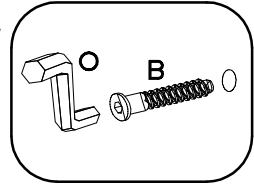
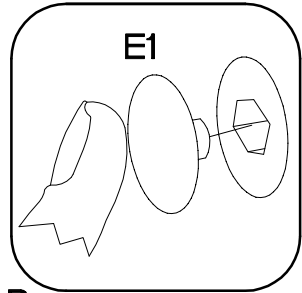
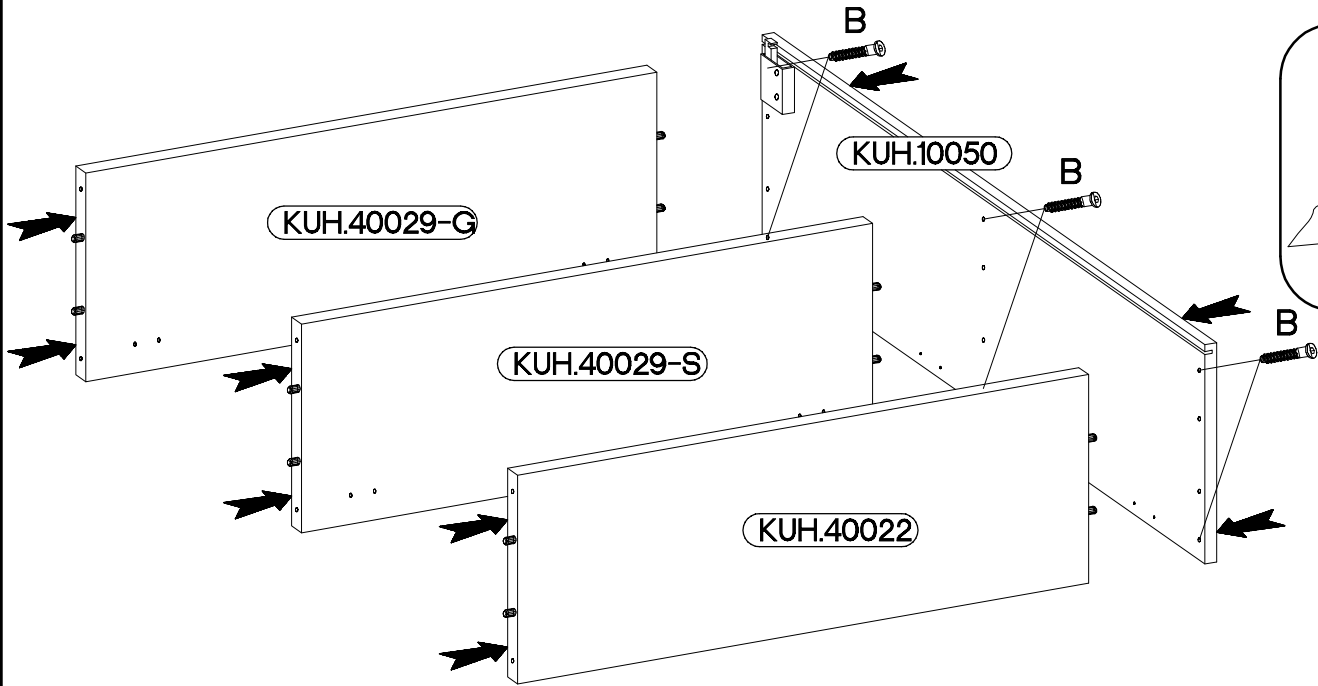
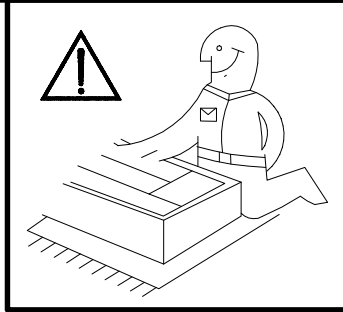
ISM-KUH-00994

±8x30mm  A 12	±35/0mm  HG 4	±3.5x13mm  P5 8	±4.0x30mm  P8 4	 K 2
--	--	--	--	--


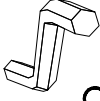



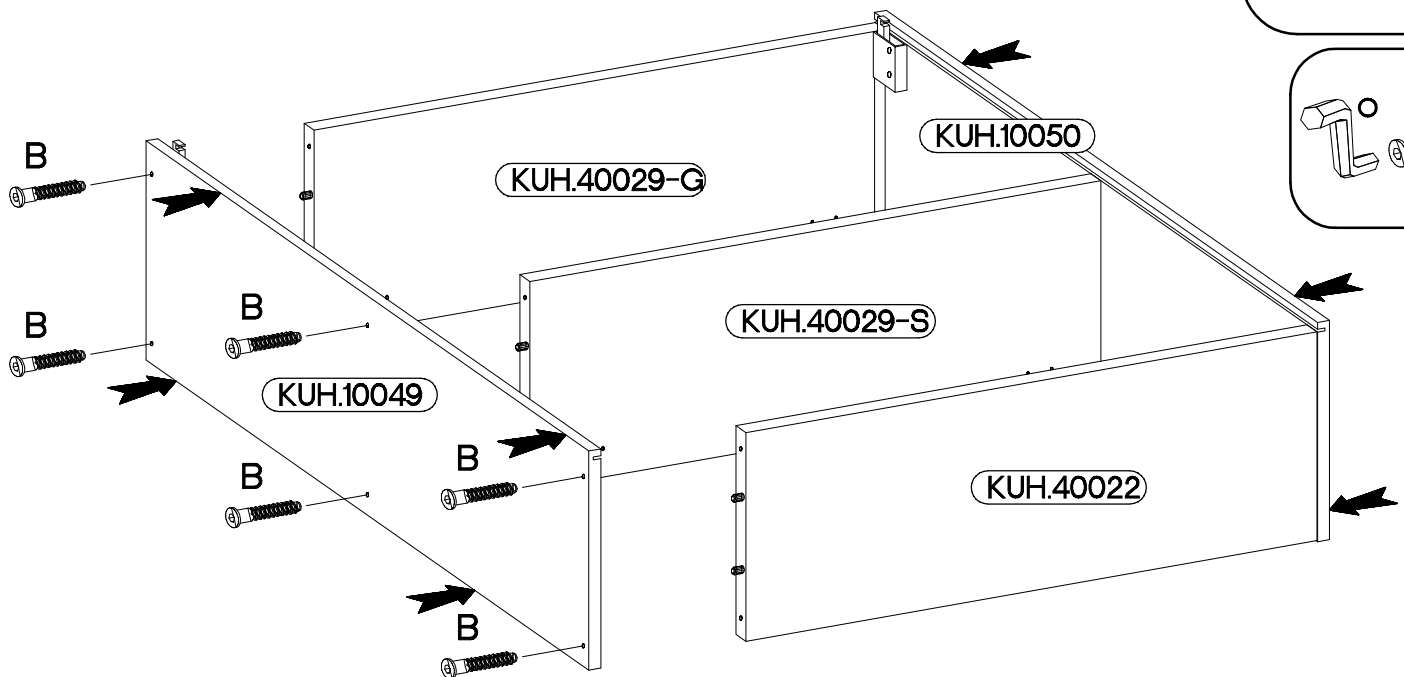
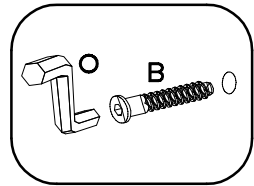
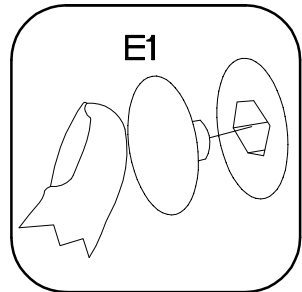
2

6,4 x 50mm		
		
B	O	E1
6	1	6

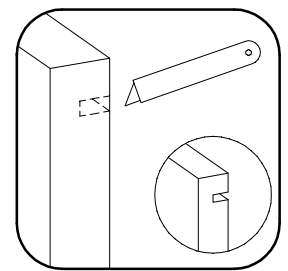
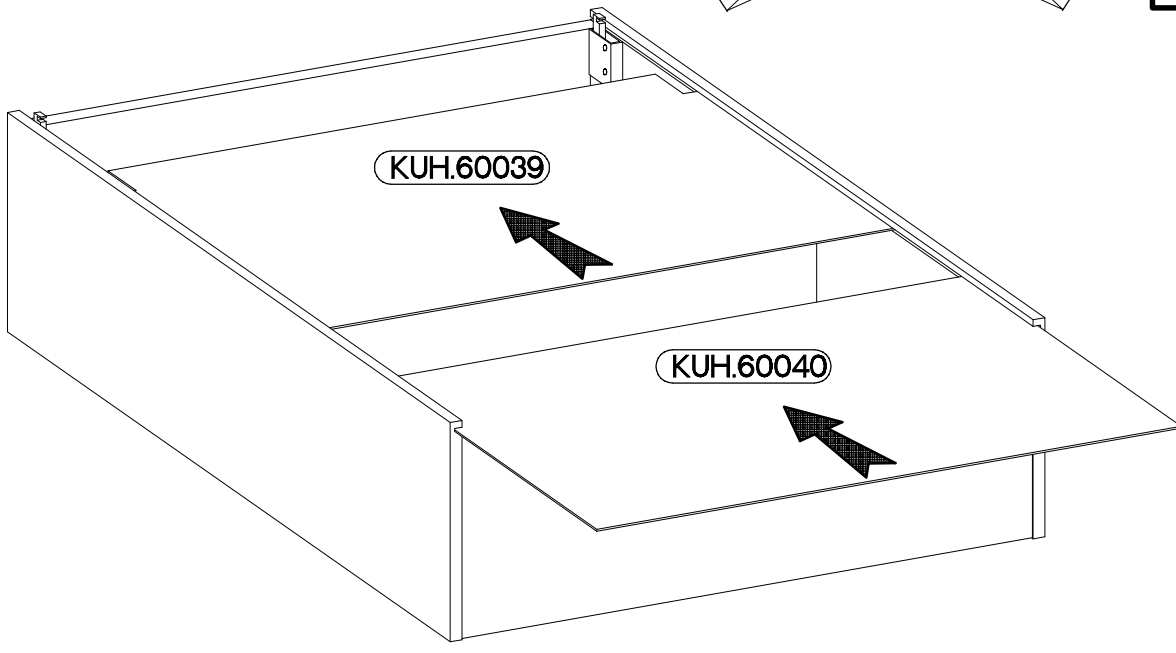
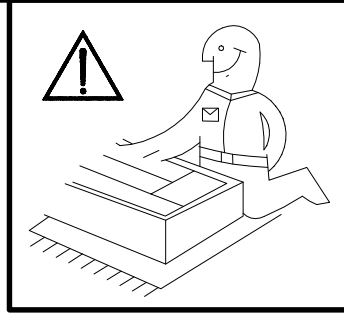
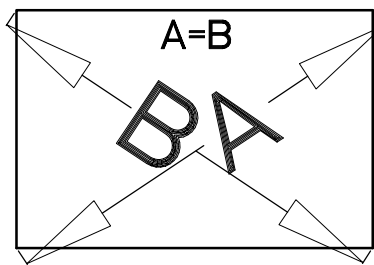


3

6,4 x 50mm		
		
B	O	E1
6	1	6

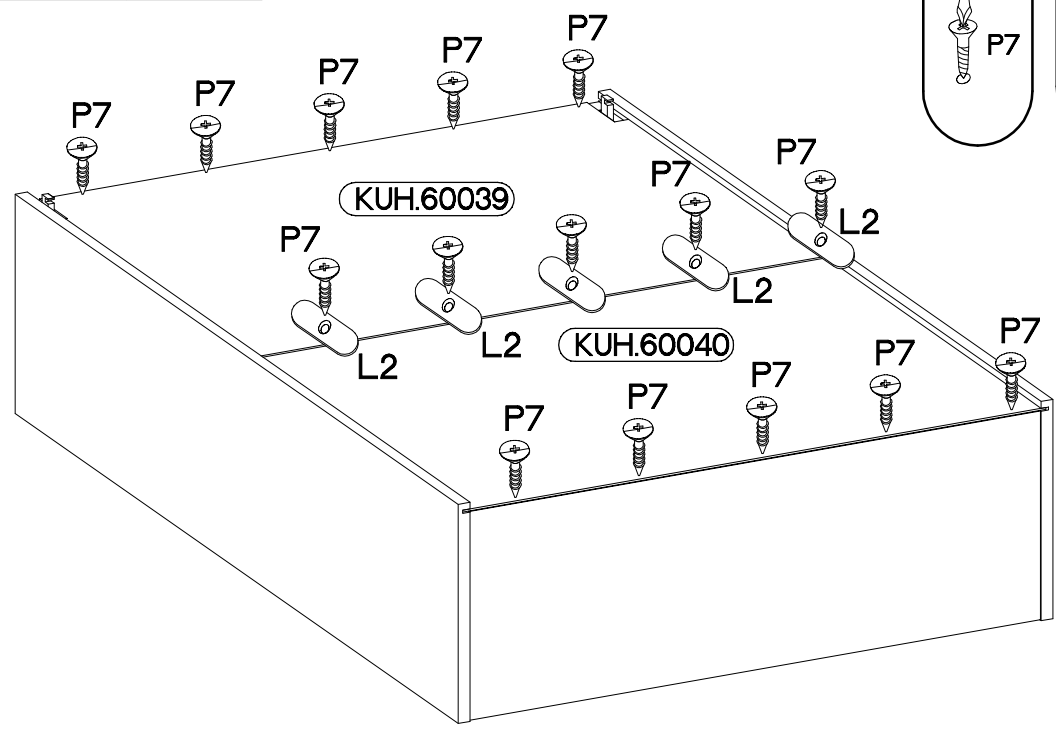
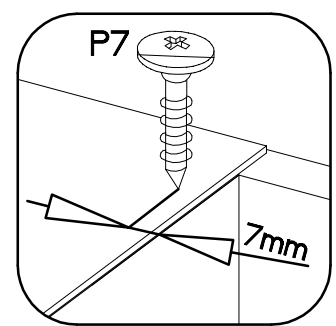
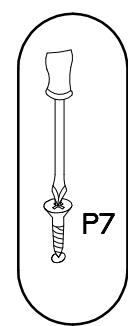


4

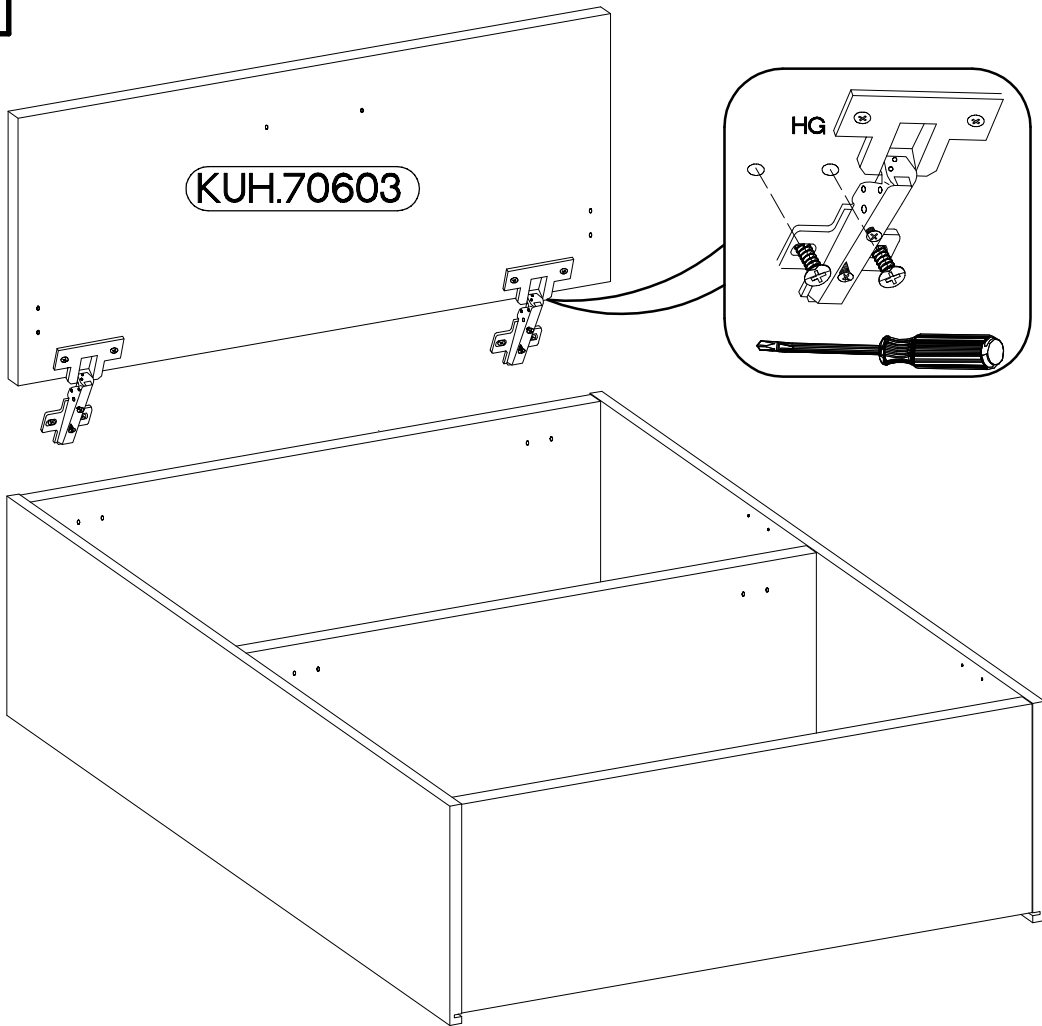
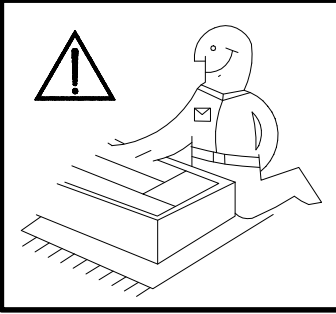


5

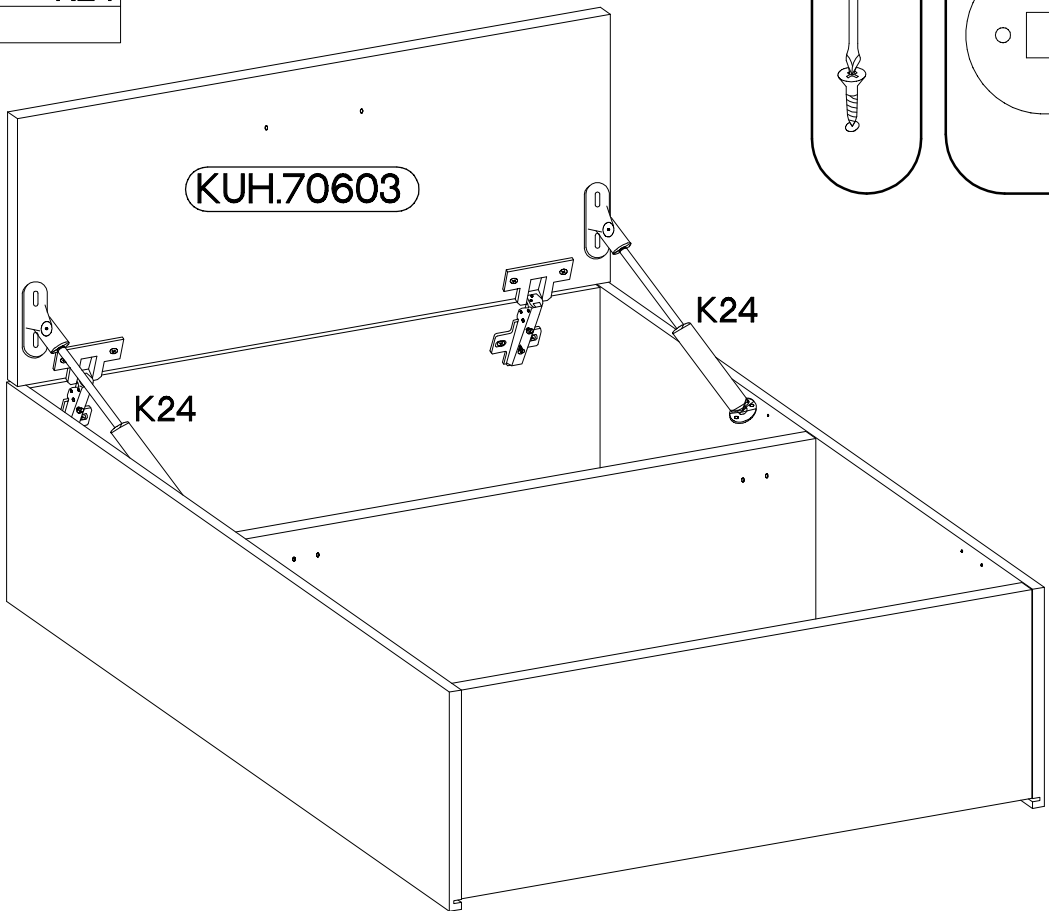
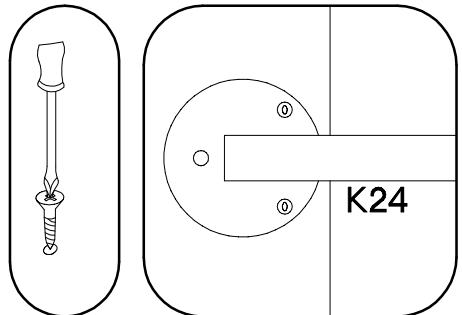
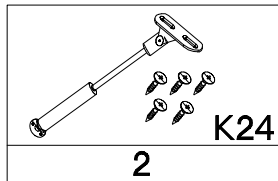
φ3.0x20mm P7 10-15	 L2 5
------------------------------	-------------



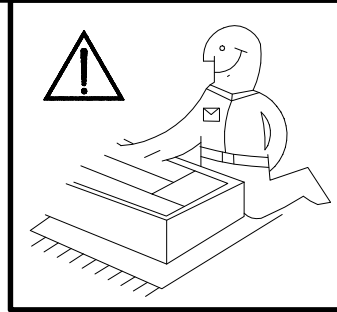
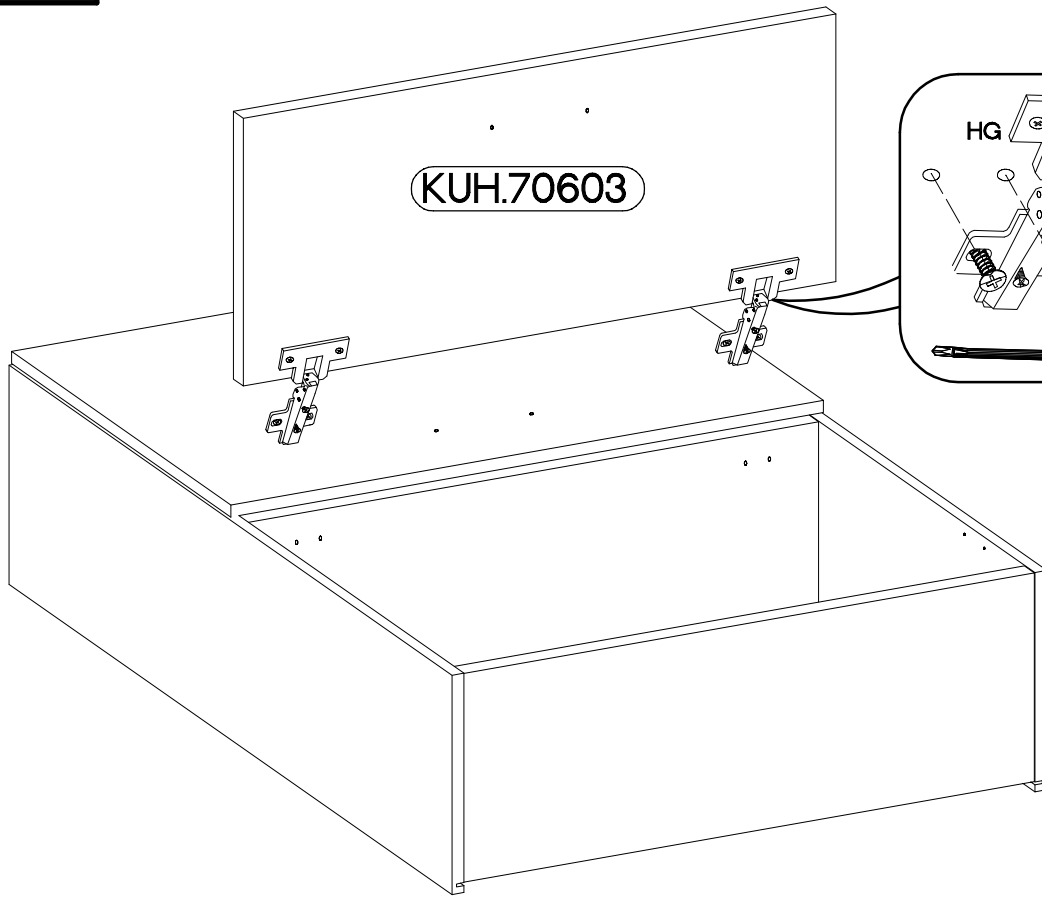
6



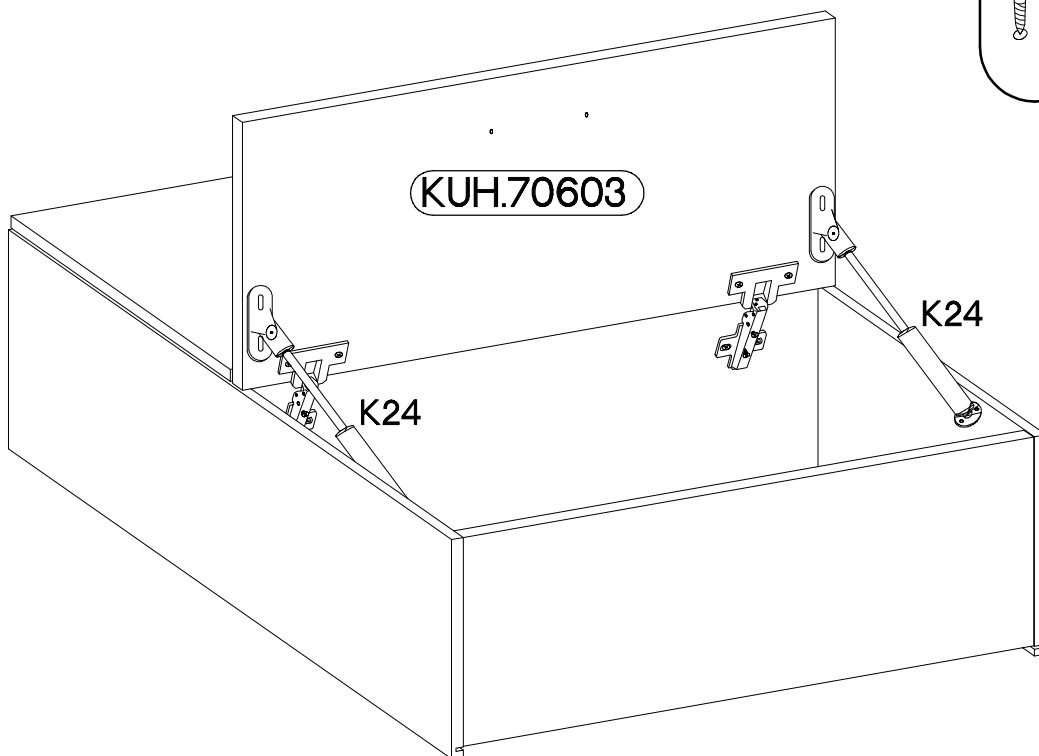
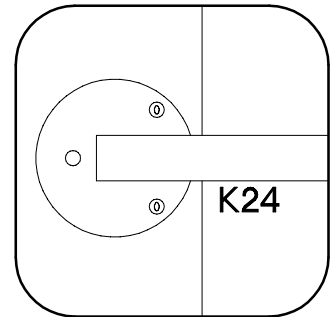
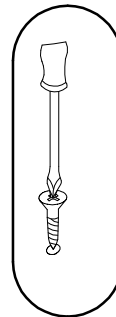
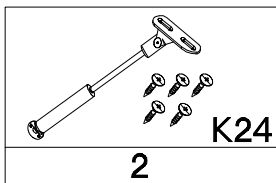
7


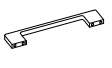
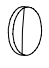


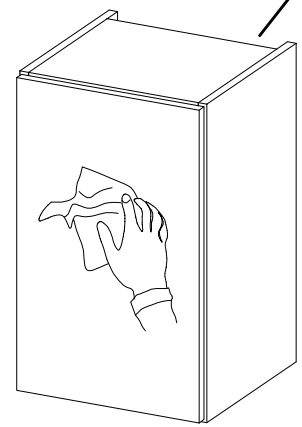
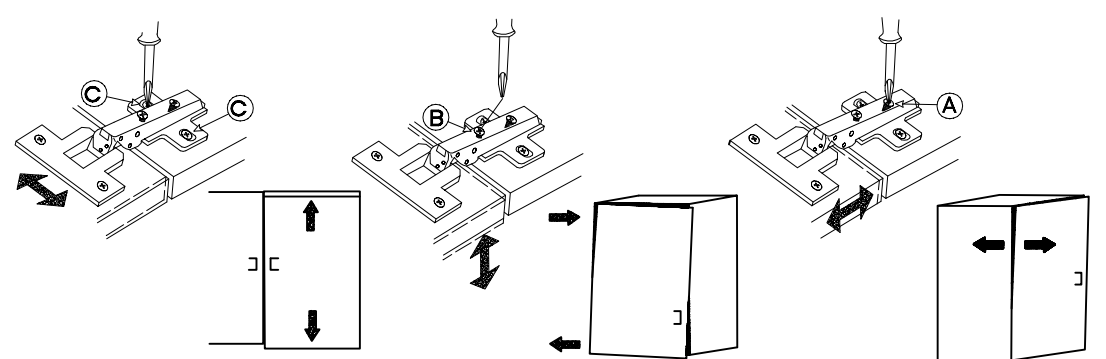
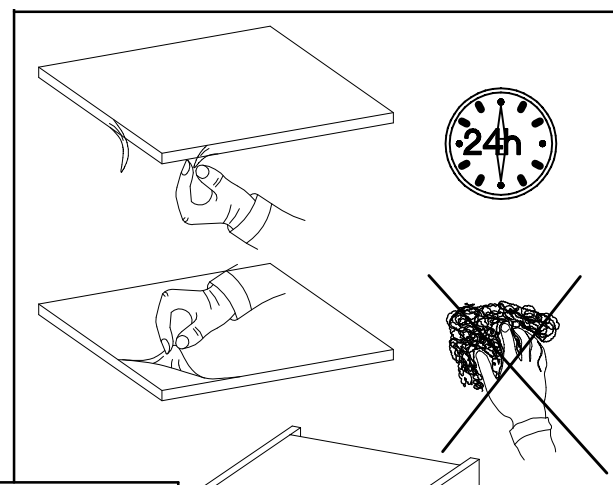
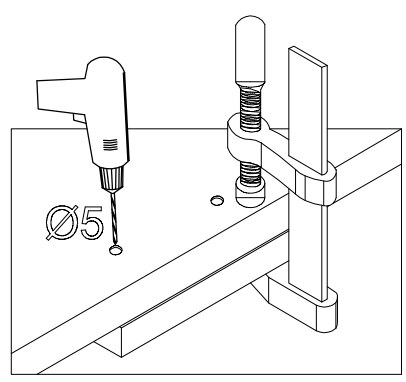
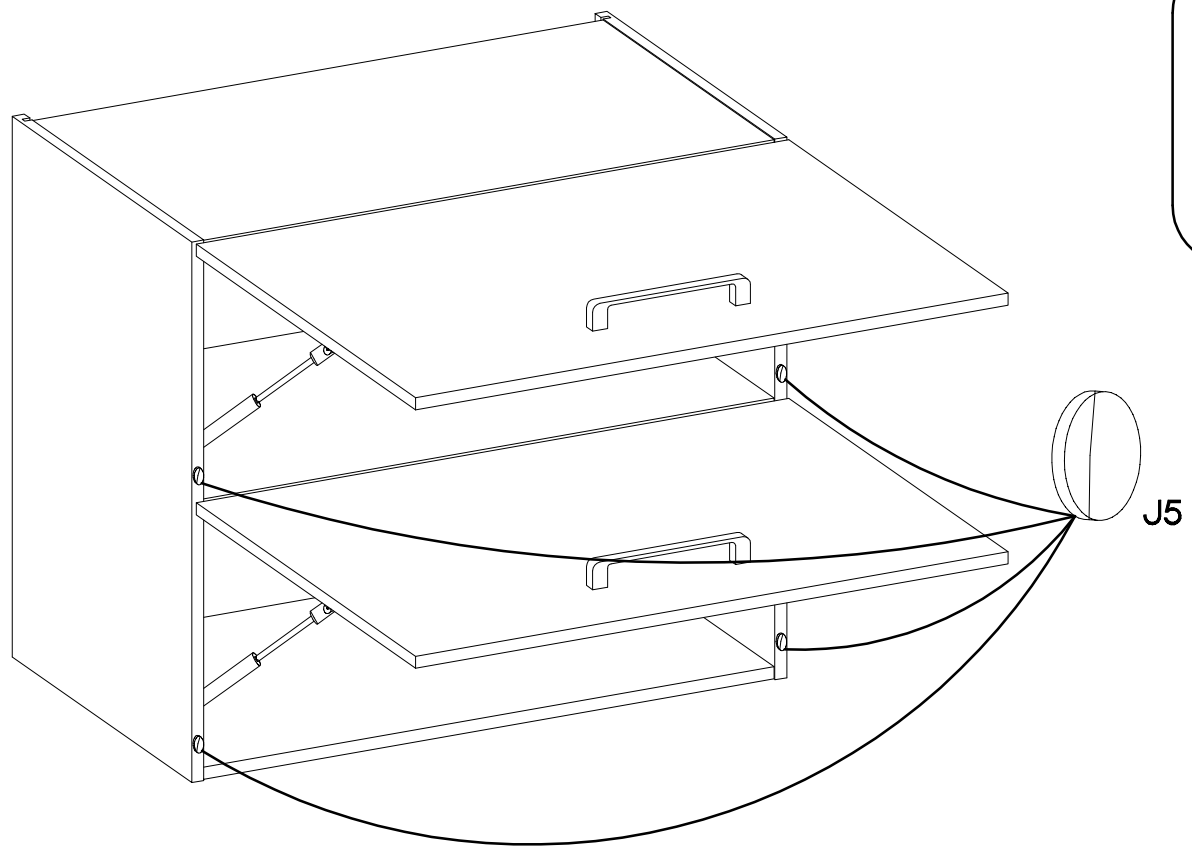
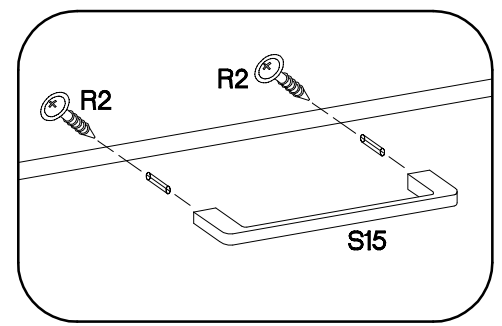
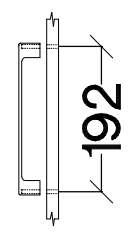
8

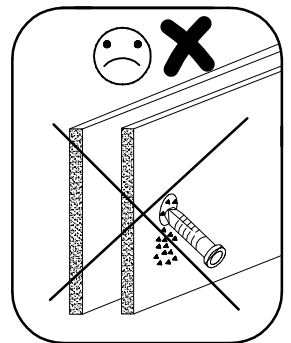
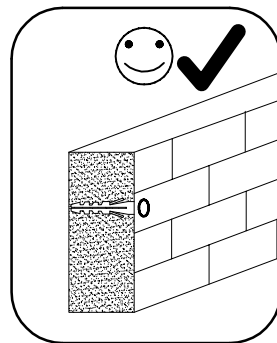
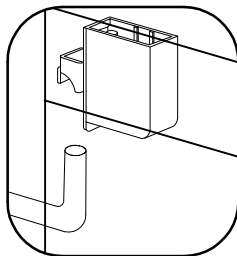
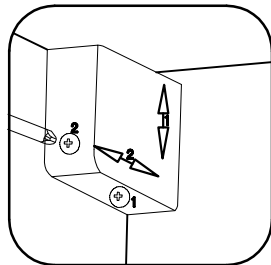
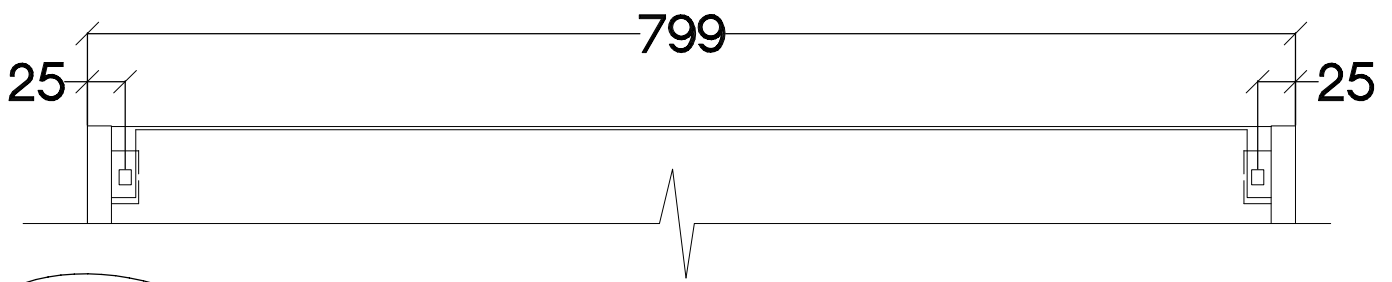
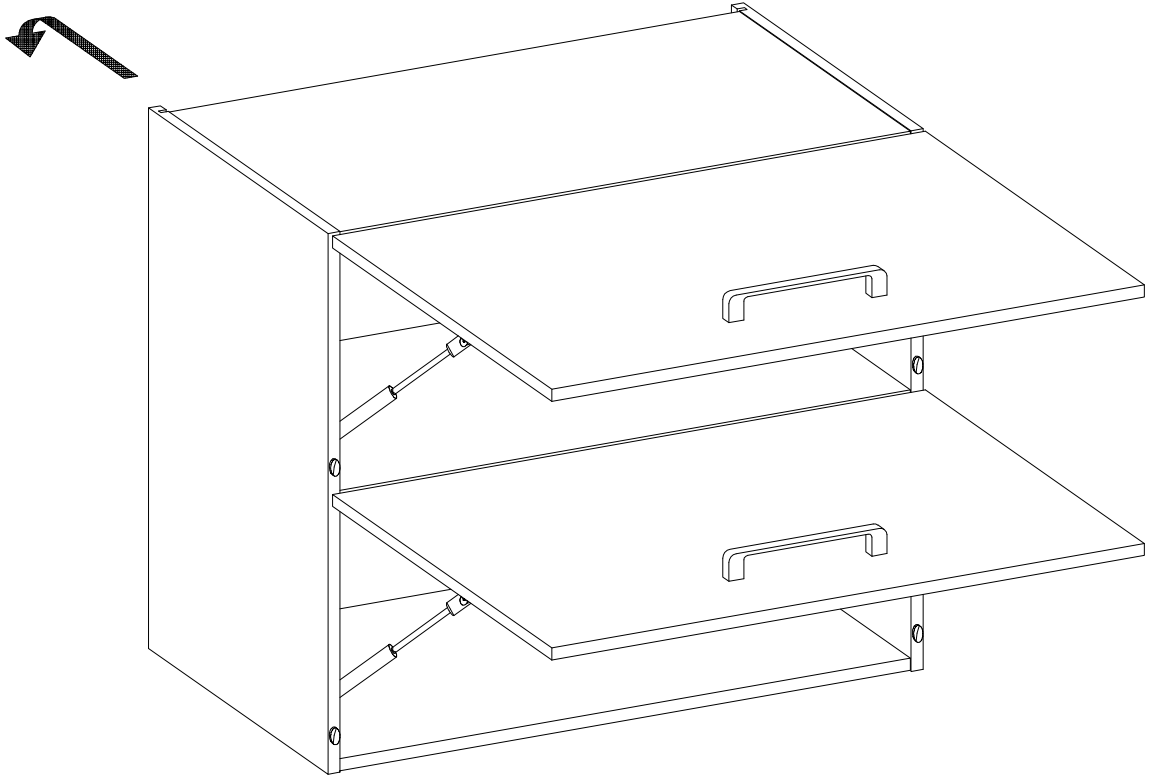
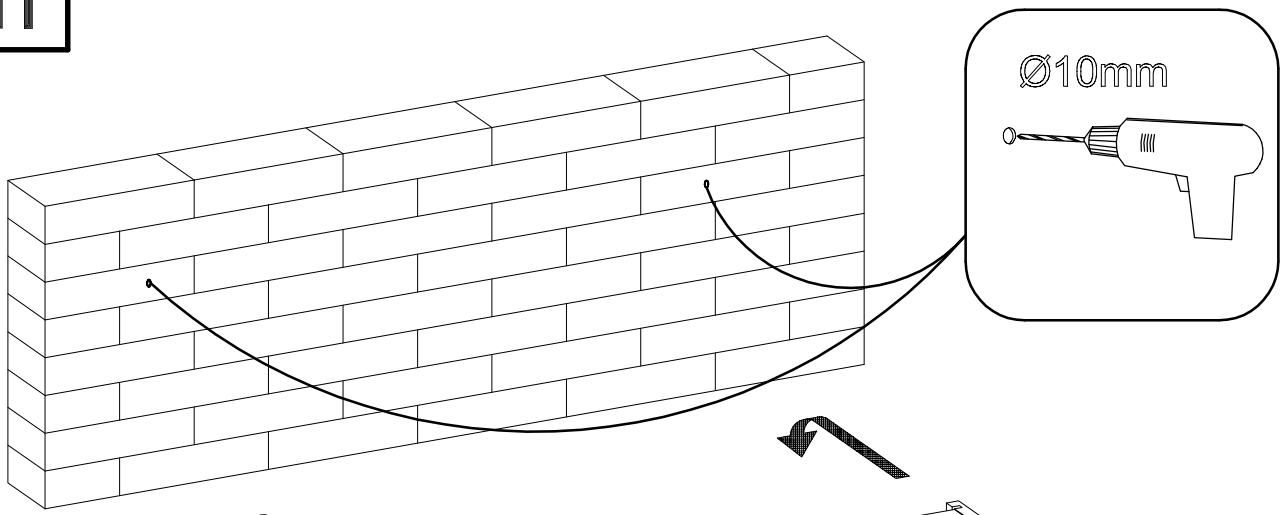


9

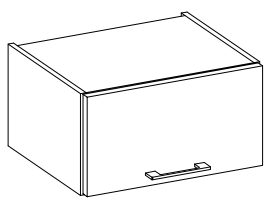


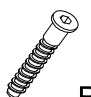

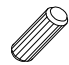
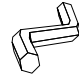
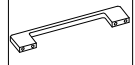
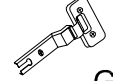
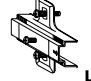
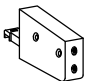
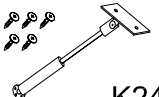
+4.0x30mm		
 R2	 S15	 J5
4	2	4

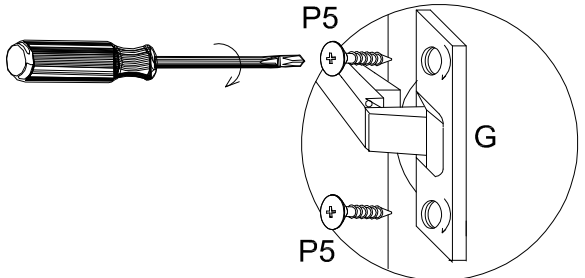
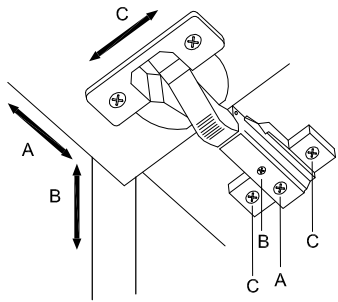
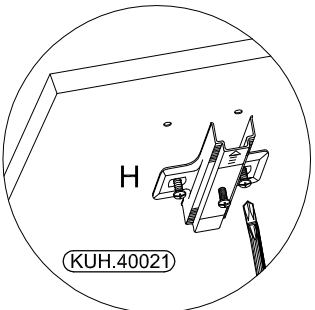
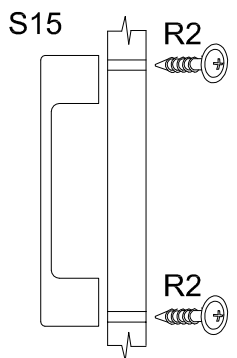
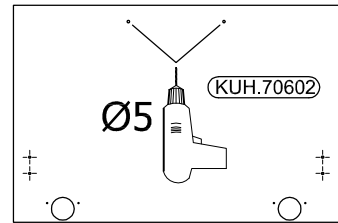
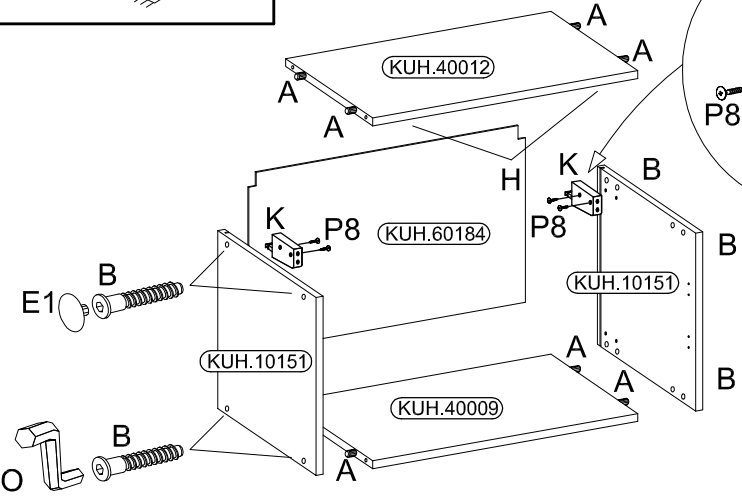
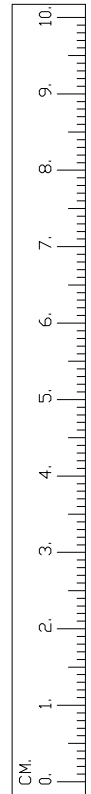
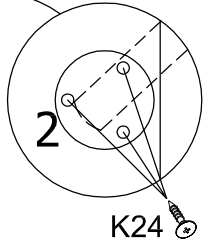
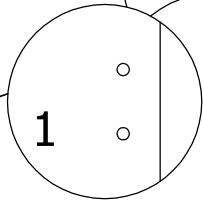
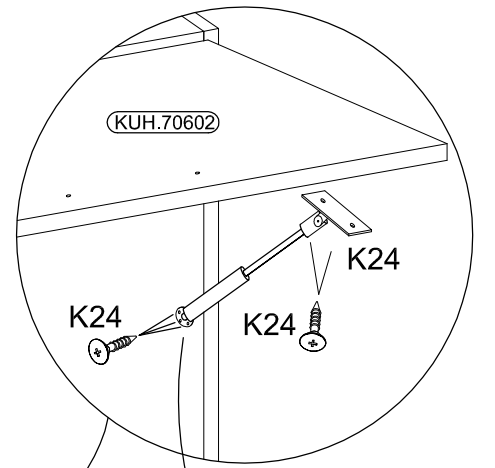
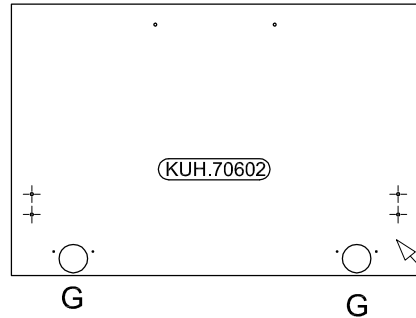
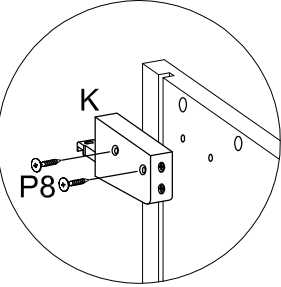
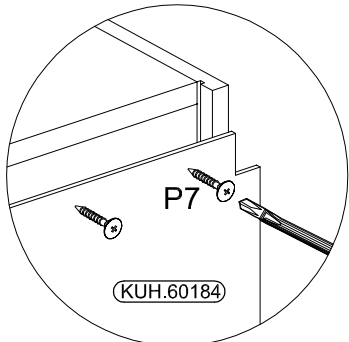
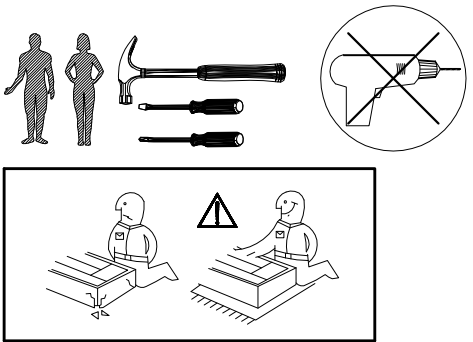




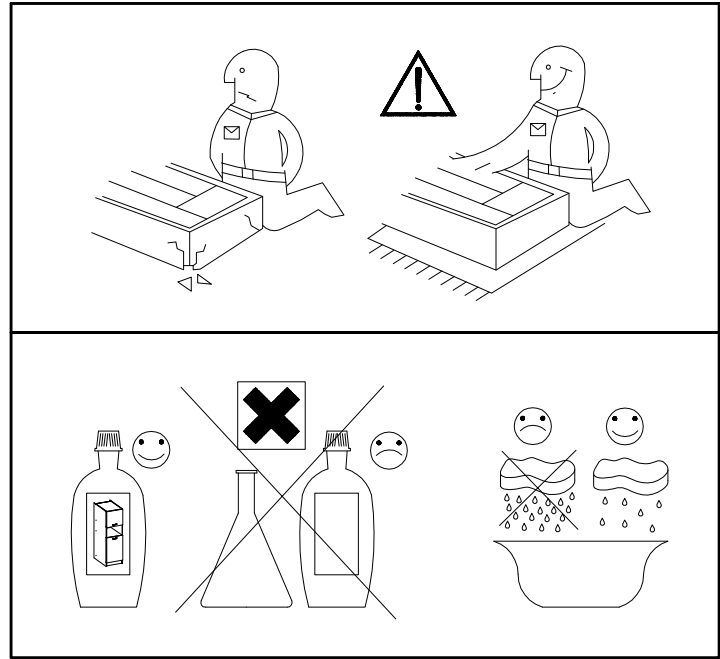
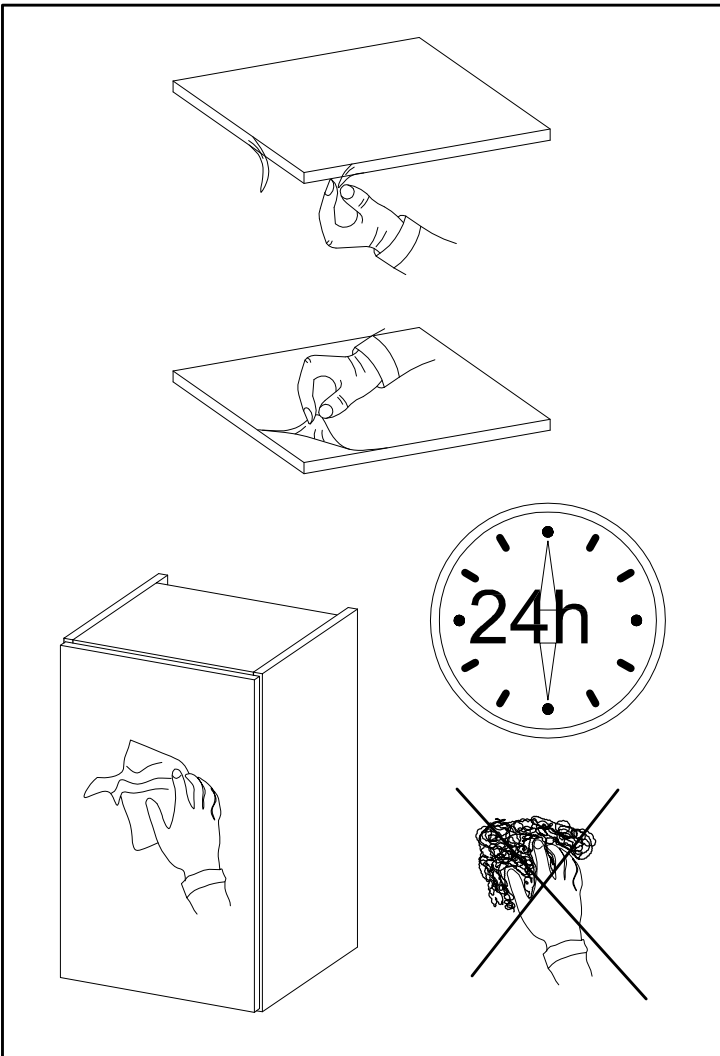
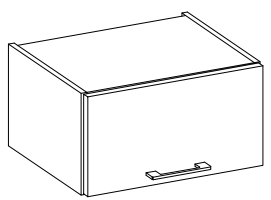
60 GU-36

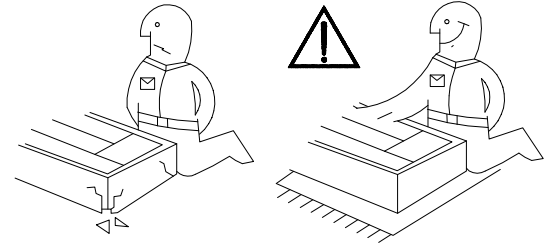
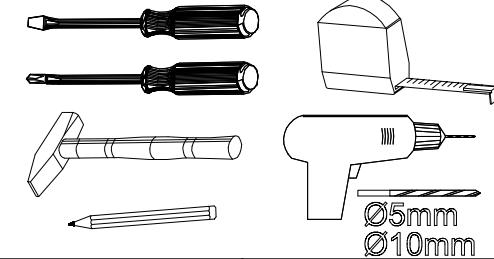
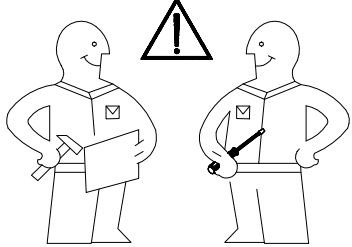


					Ø4.0x30mm	Ø3.0x20mm			Ø3.5x13mm		Ø4.0x30mm	
B	E1	A	O	S15	R2	P7	G	H	P5	K	P8	K24
8	8	8	1	1	2	10	2	2	4	2	4	2

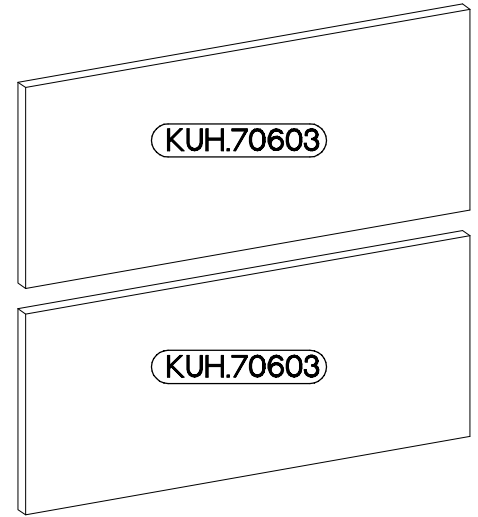
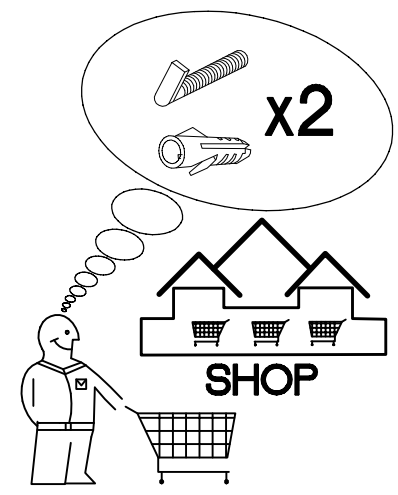
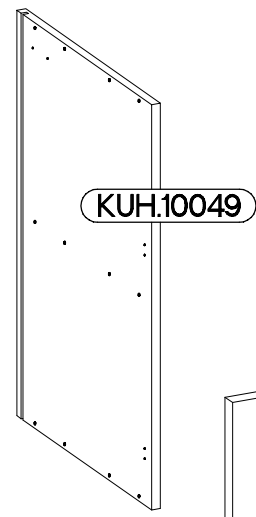
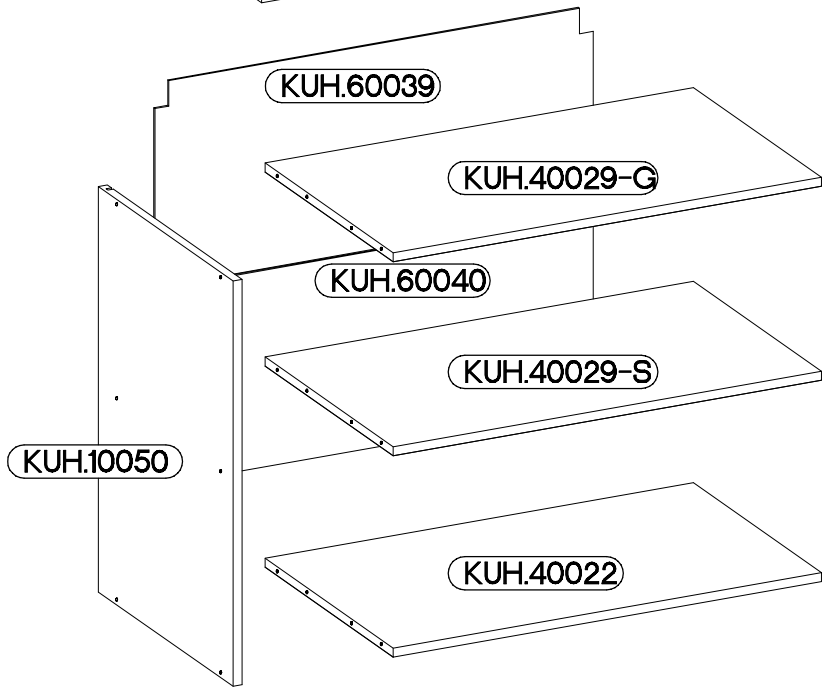
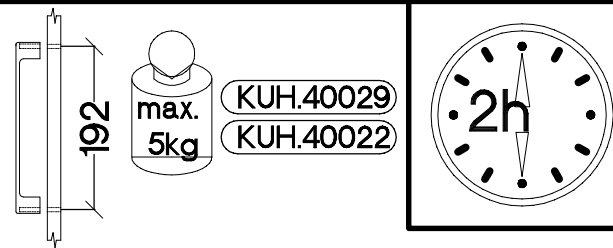
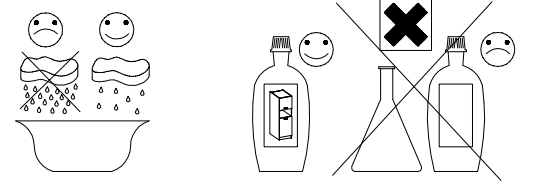
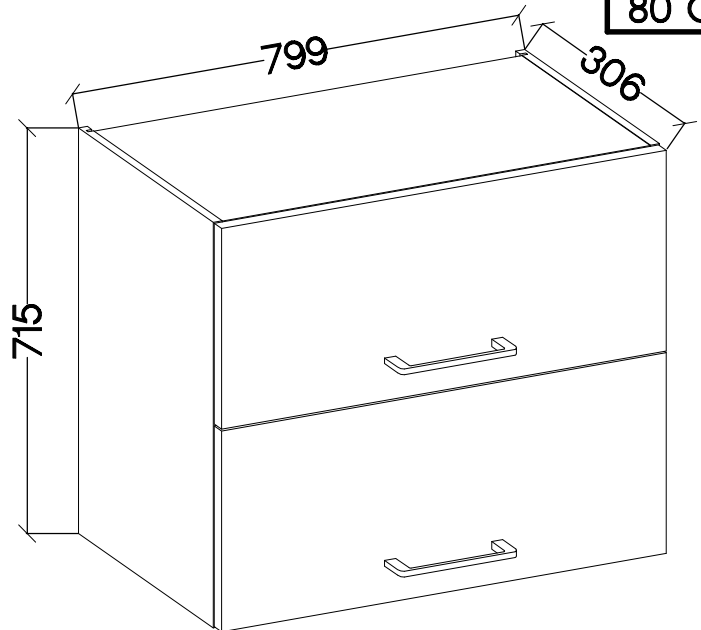


60 GU-36

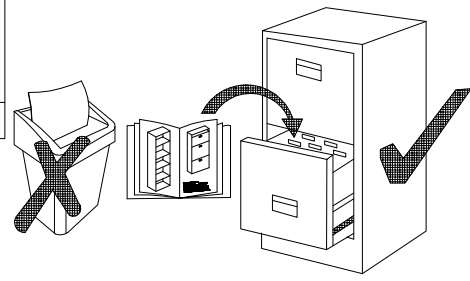




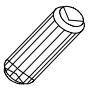
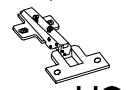

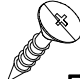
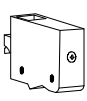
80 GU-72 2F

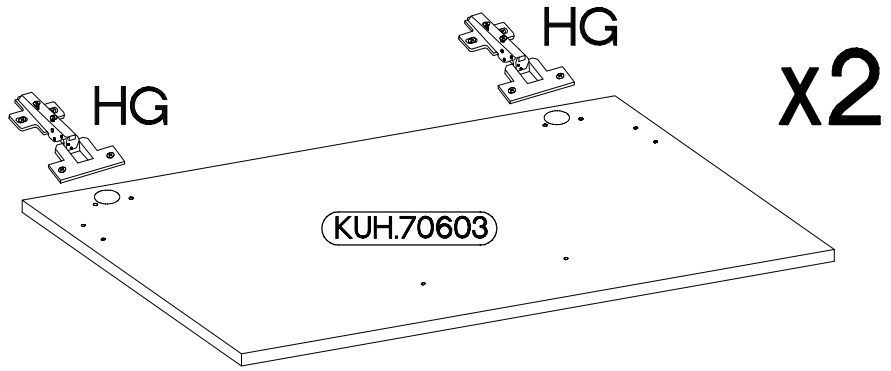
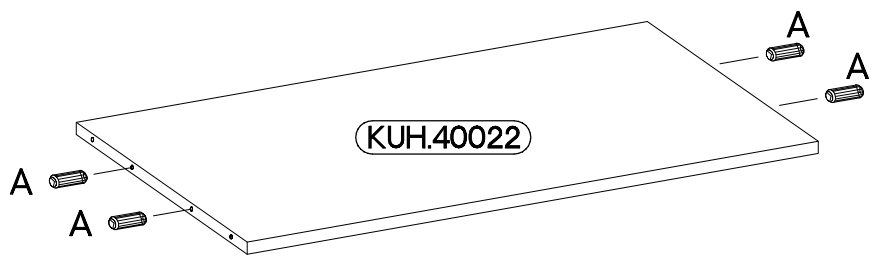
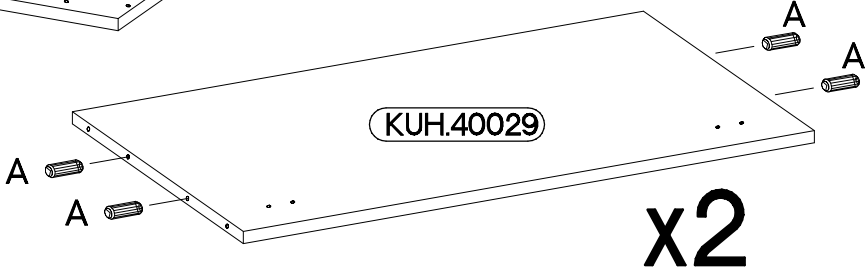
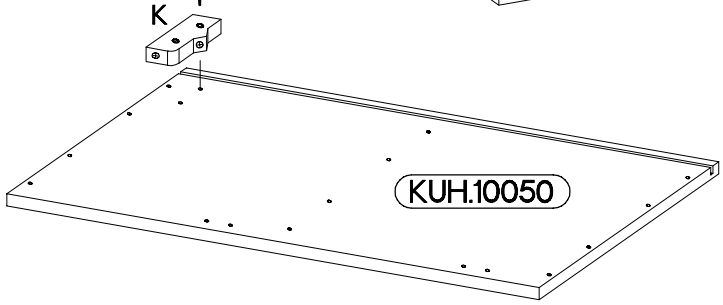
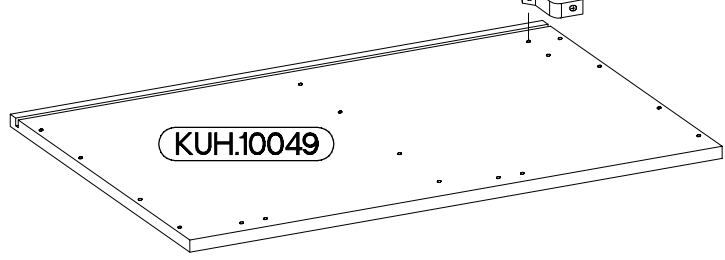
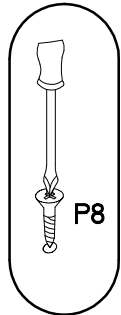
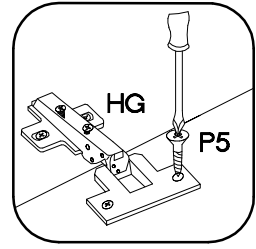
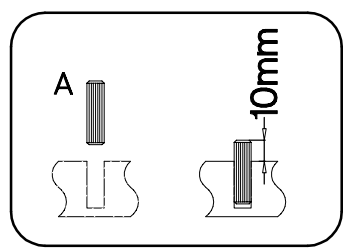
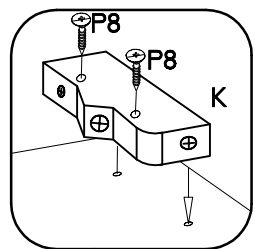
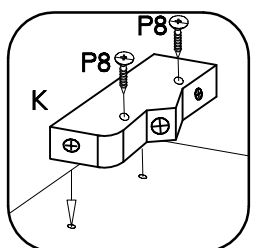
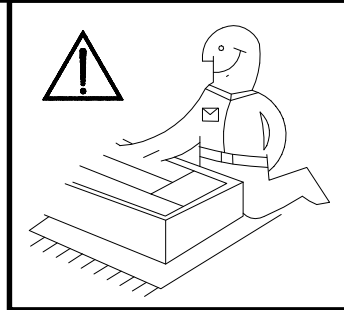


A 12	B 12	E1 12	HG 4	J5 4	K 2	K24 4
L2 5	O 1	P5 8	P7 10-15	P8 4	R2 4	S15 2



ISM-KUH-00994

±8x30mm  A 12	±35/0mm  HG 4	±3.5x13mm  P5 8	±4.0x30mm  P8 4	 K 2
--	--	--	--	--



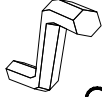
2

6,4 x 50mm



B

6



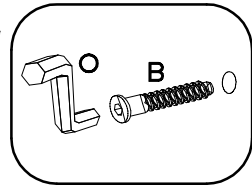
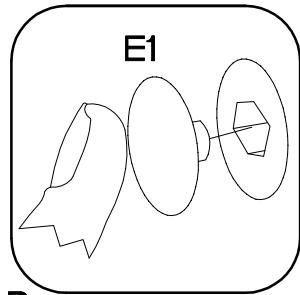
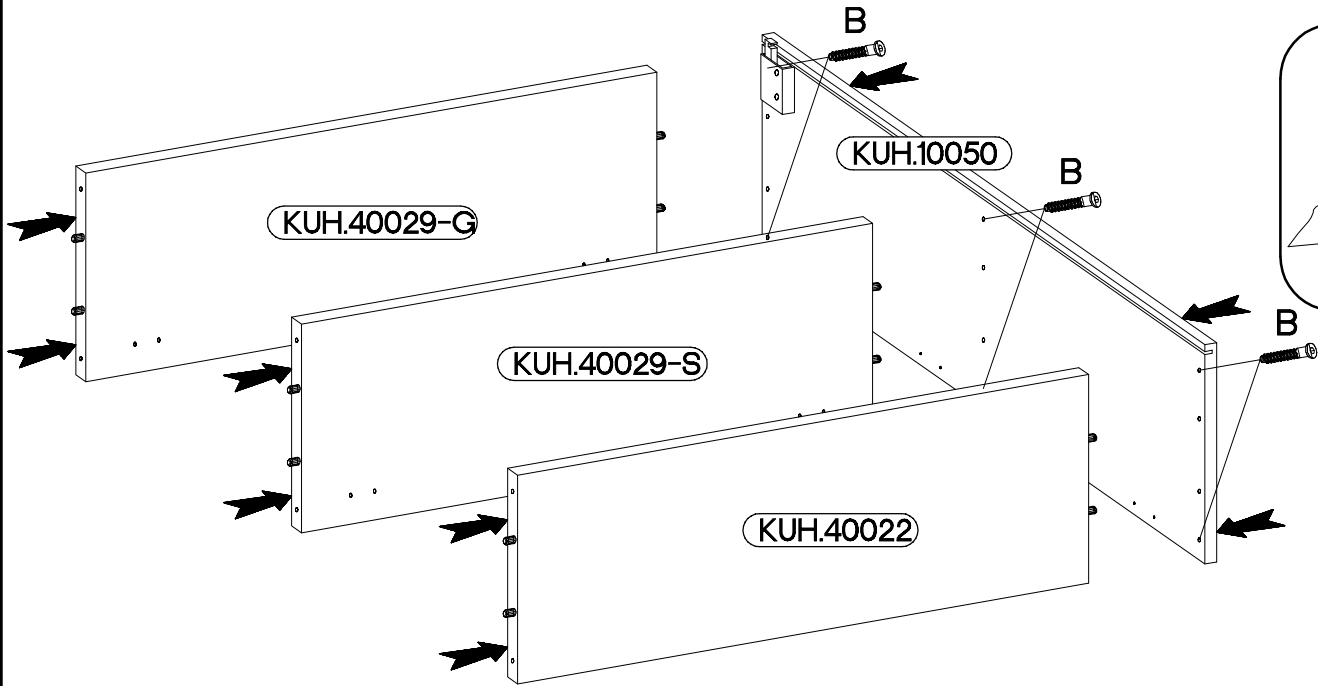
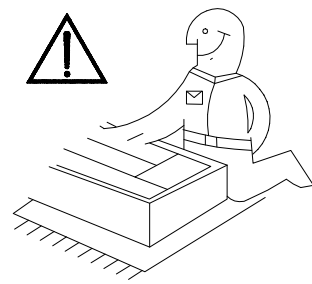
O

1



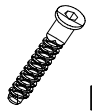
E1

6



3

6,4 x 50mm



B

6



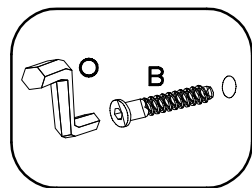
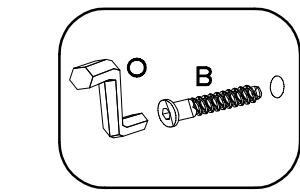
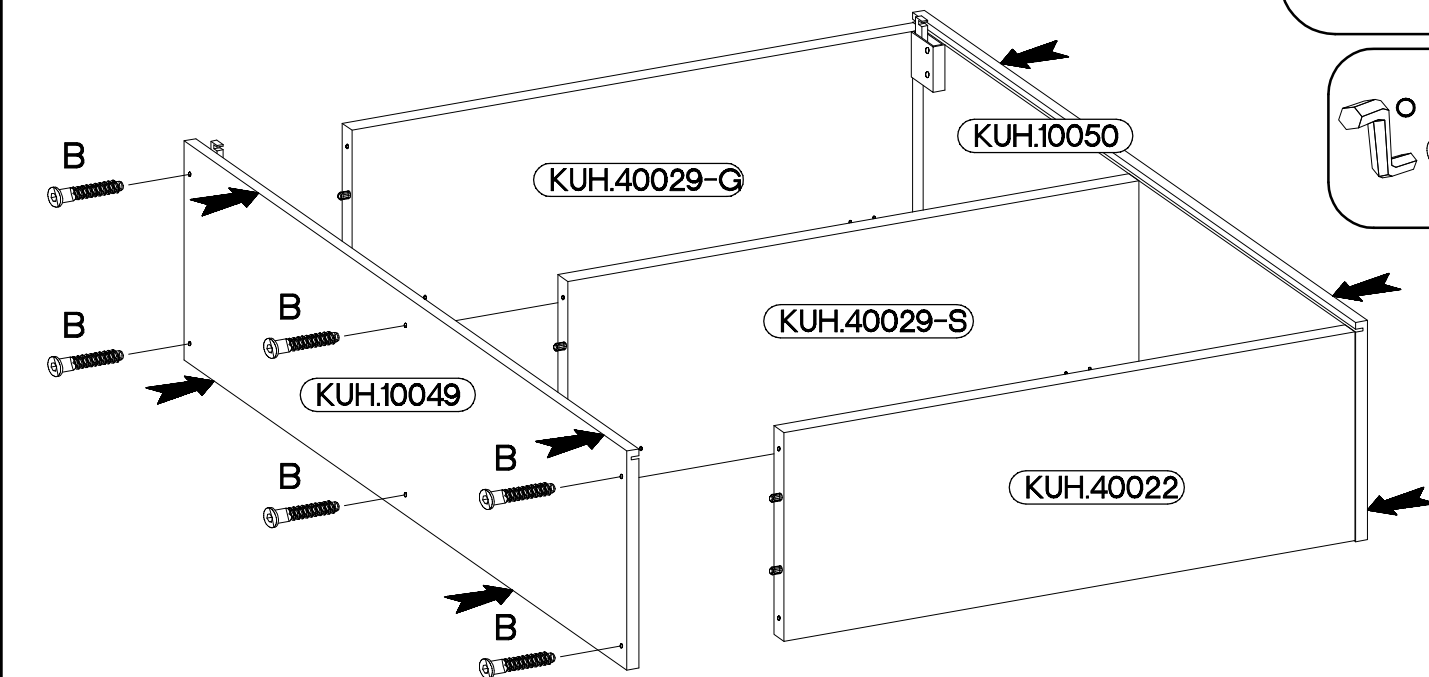
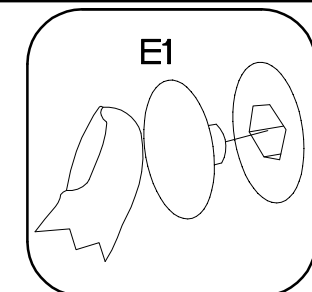
O

1

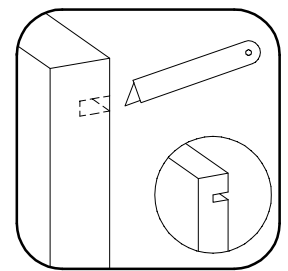
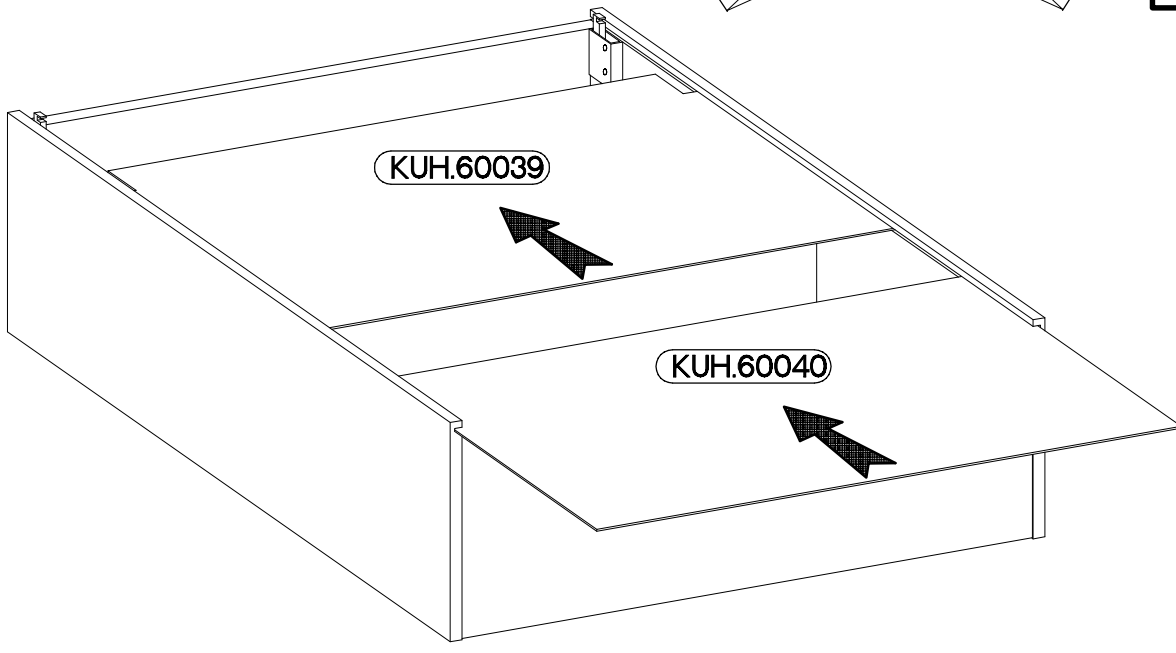
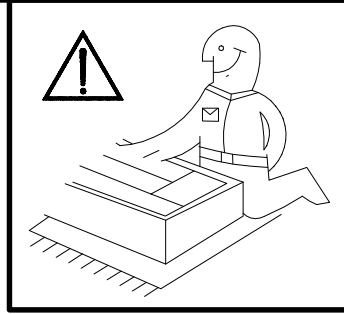
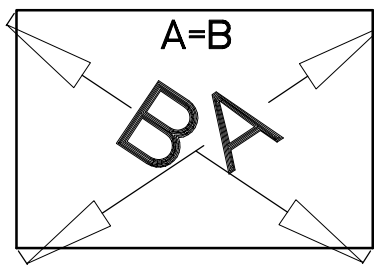


E1

6

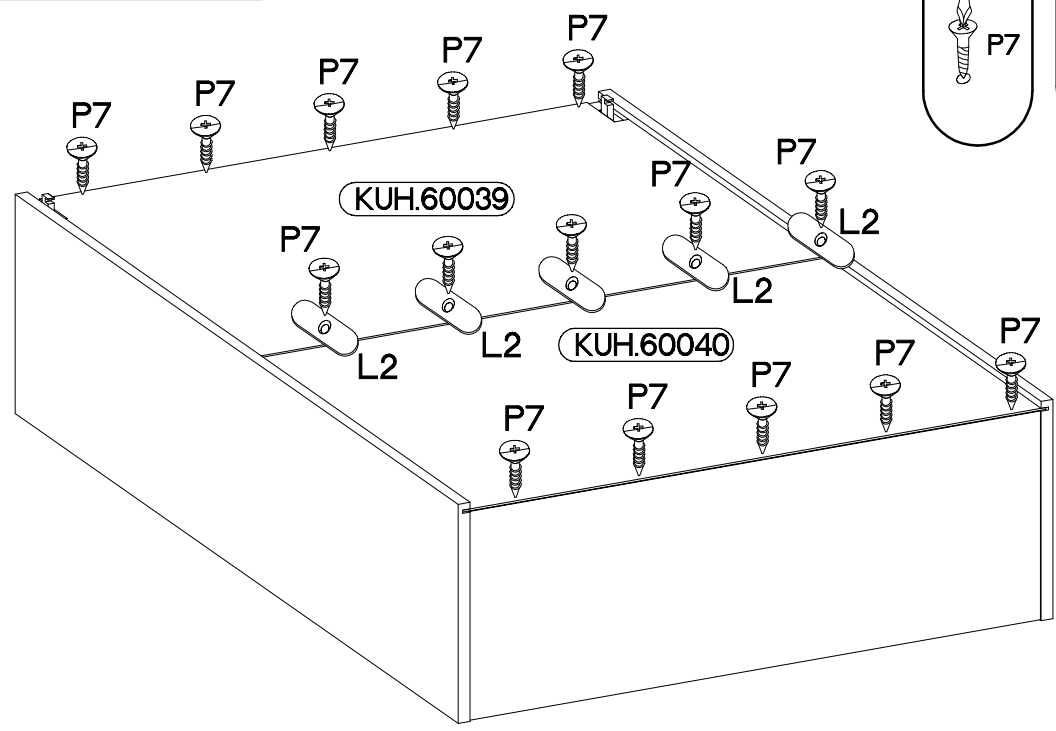
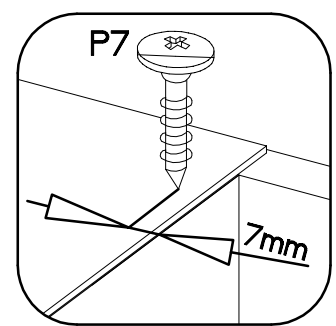
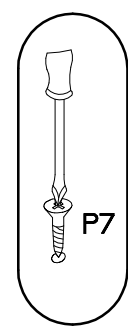


4

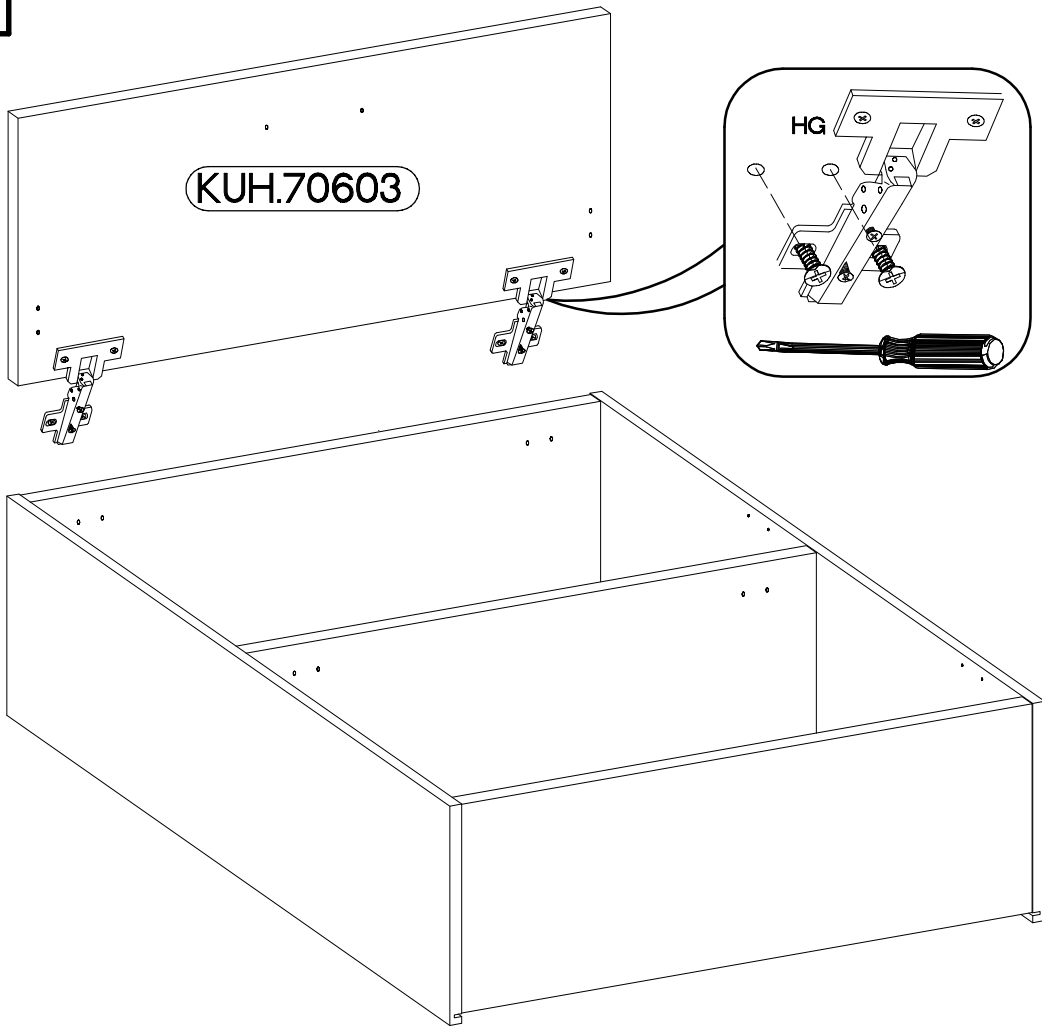
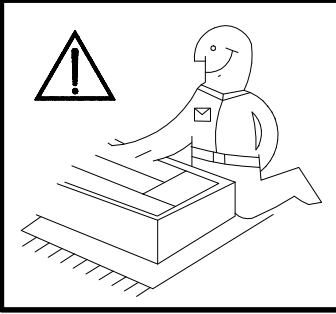


5

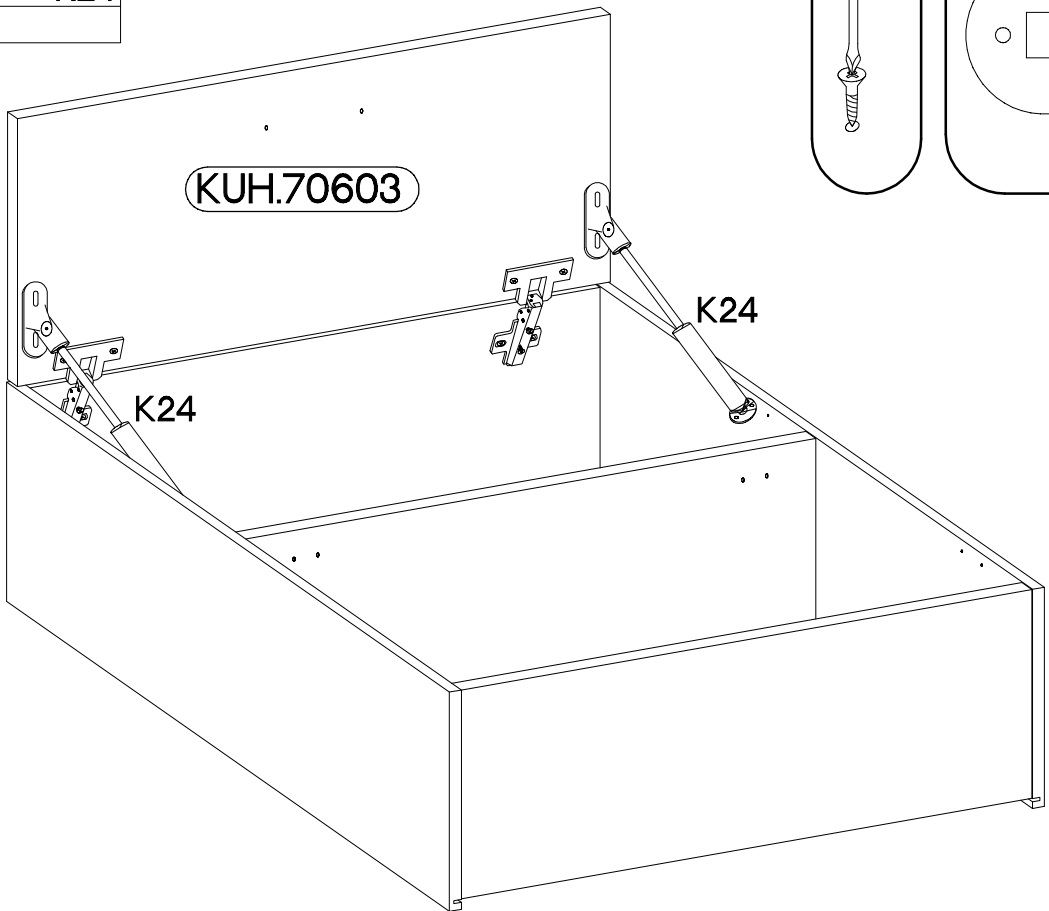
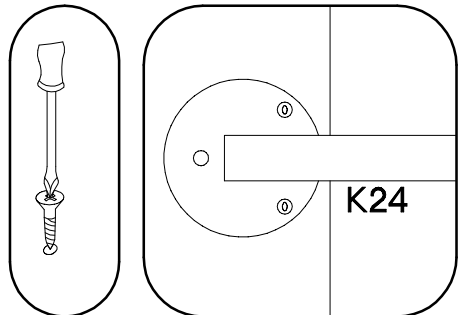
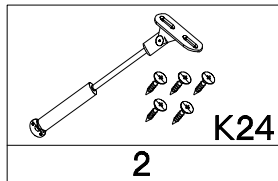
$\varnothing 3.0 \times 20 \text{mm}$ P7 10-15	 L2 5
--	-------------



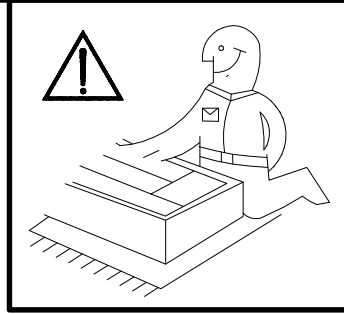
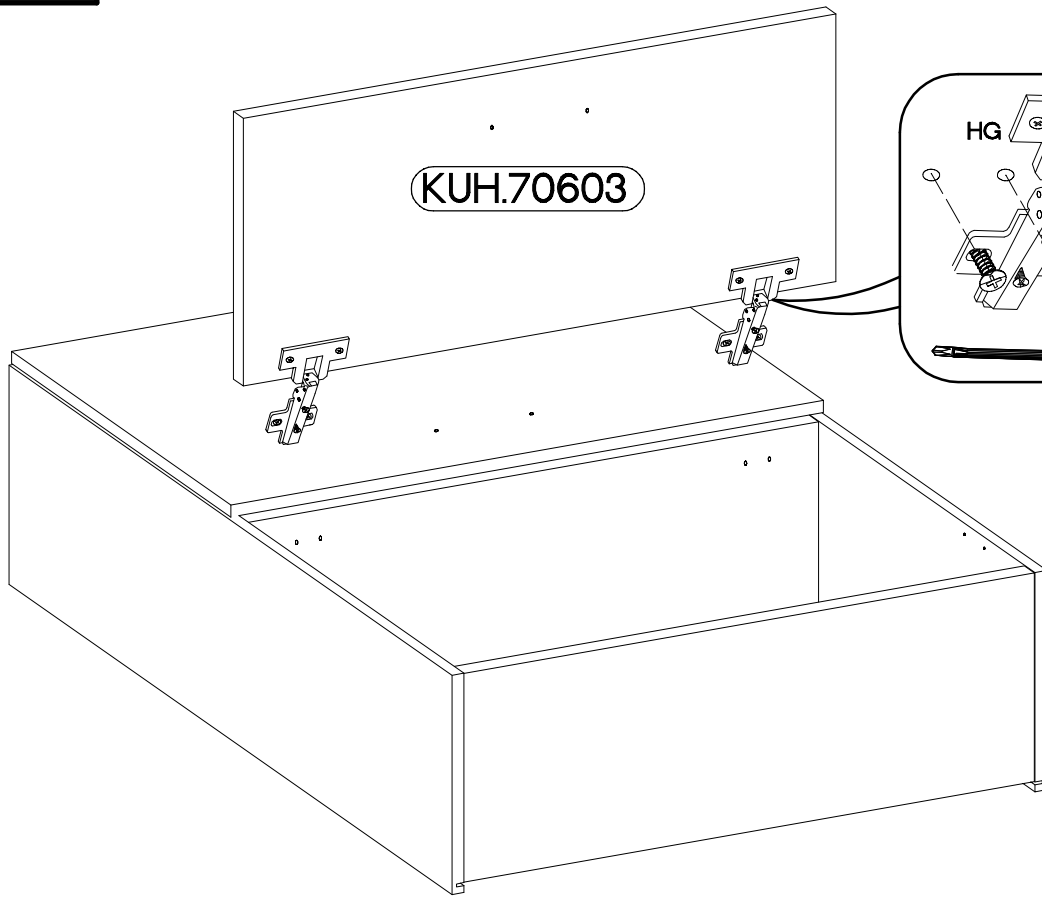
6



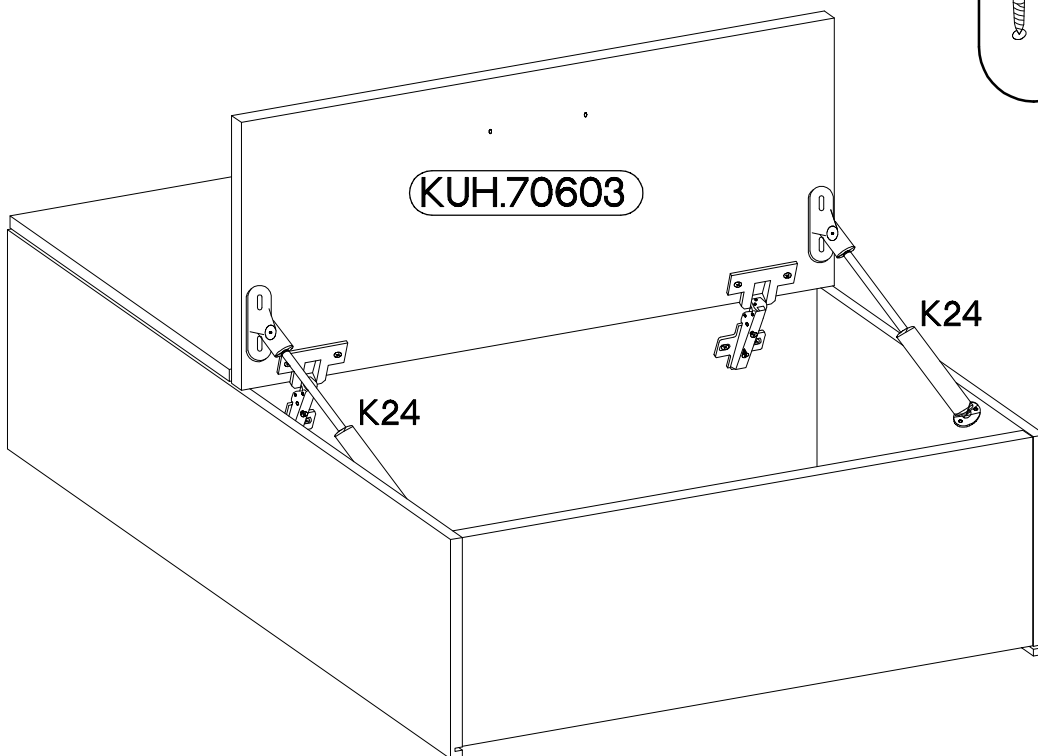
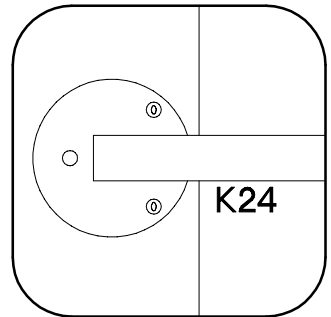
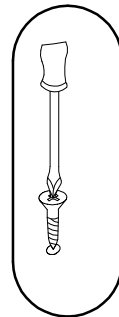
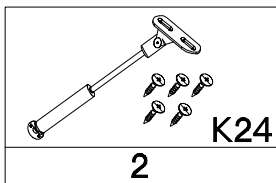
7


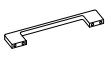
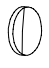


8



9



+4.0x30mm		
 R2	 S15	 J5
4	2	4

