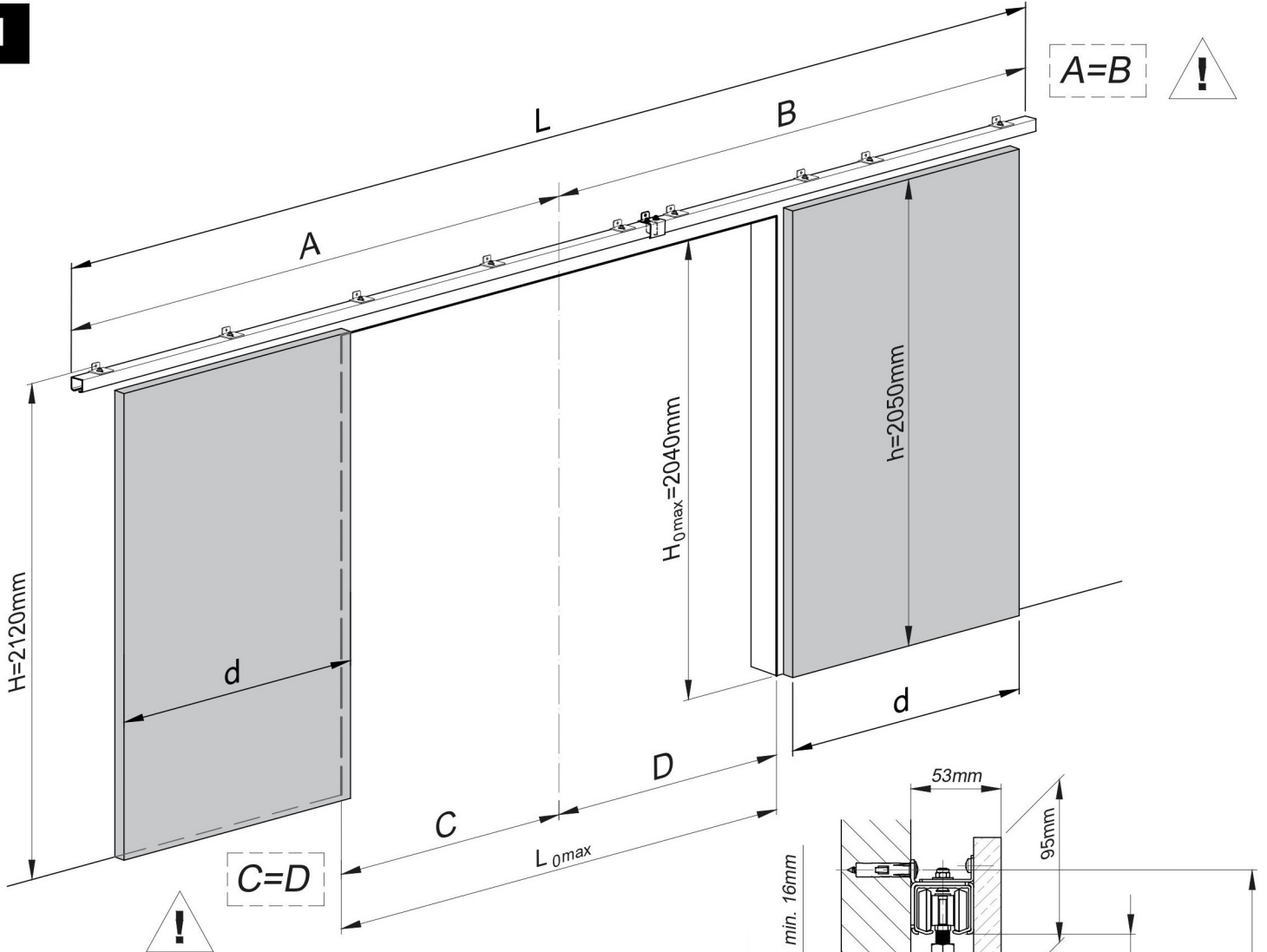
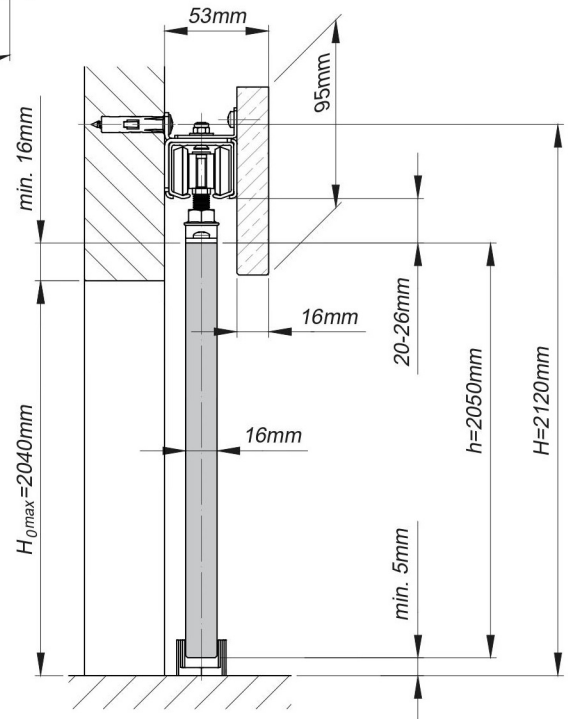
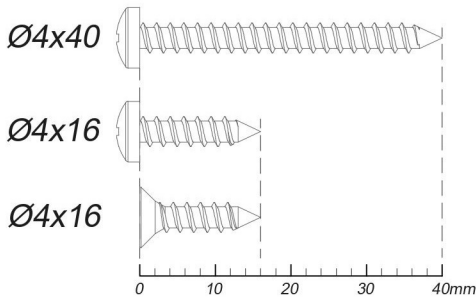
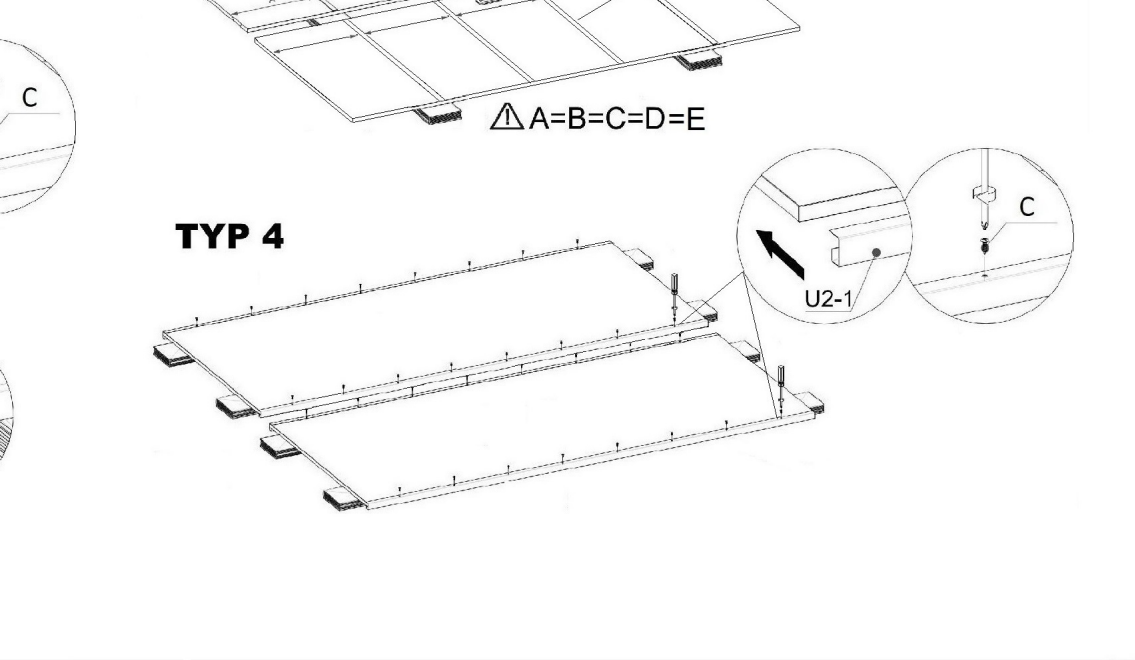
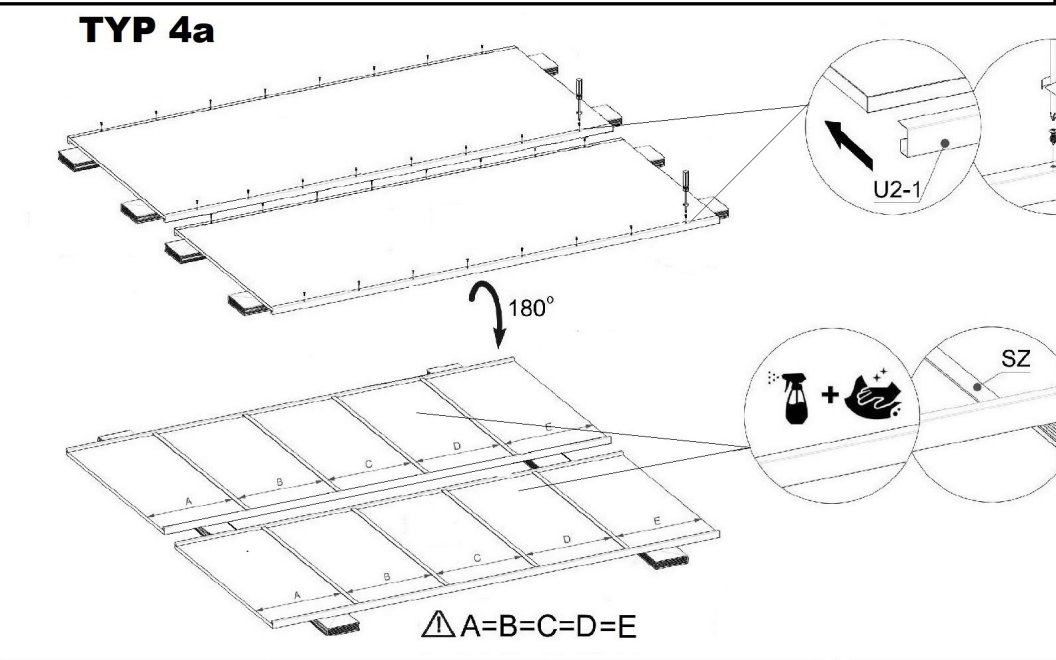
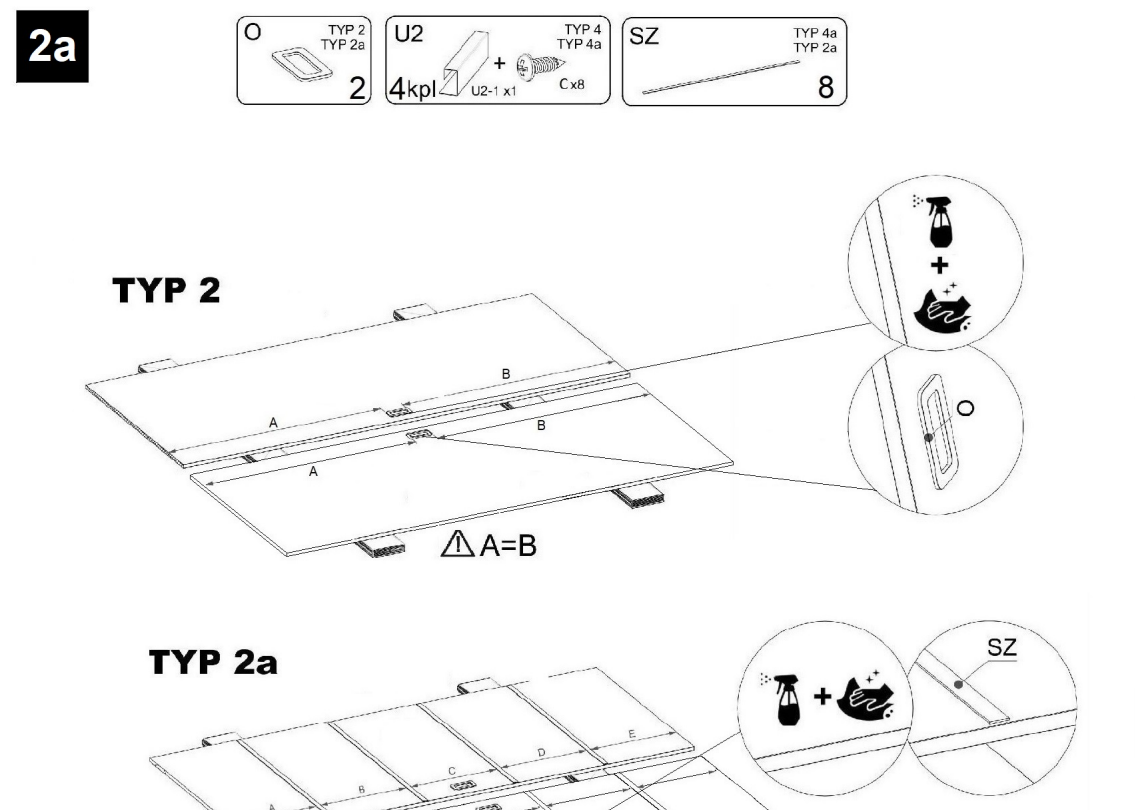
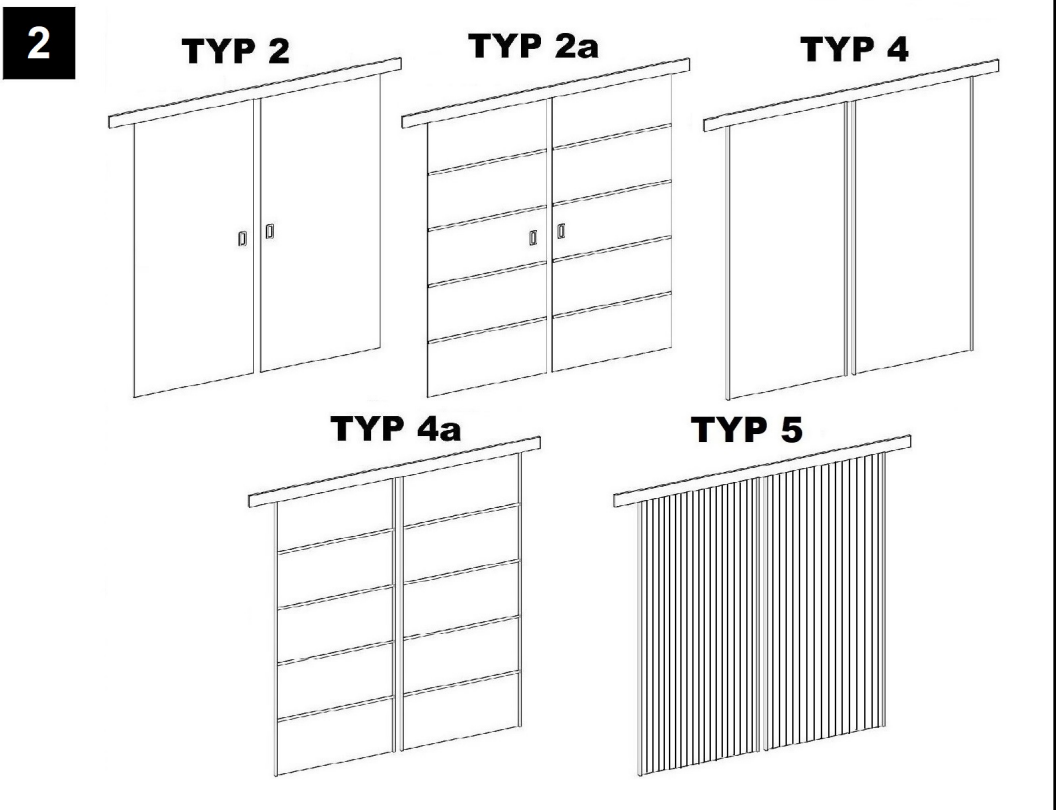


**1**



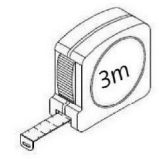
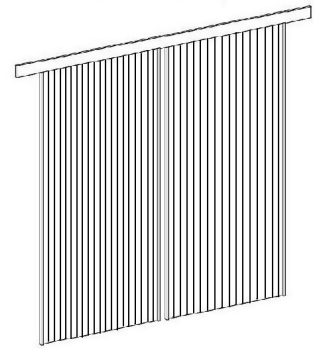
L [mm]	2570	2970	3370	4000	
d [mm] x2	660 "120"	760 "140"	860 "160"	960 "180"	1060 "200"
L <sub>0max</sub> [mm]	1260	1460	1660	1860	2060



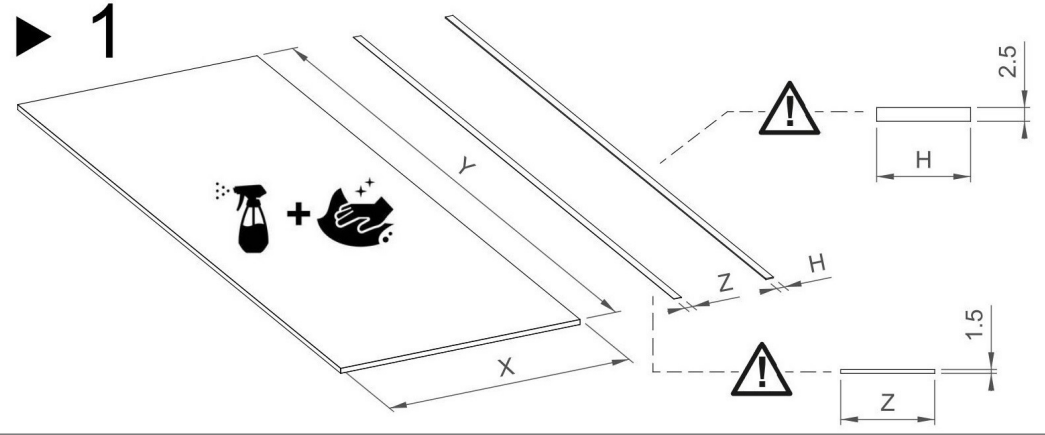


2b

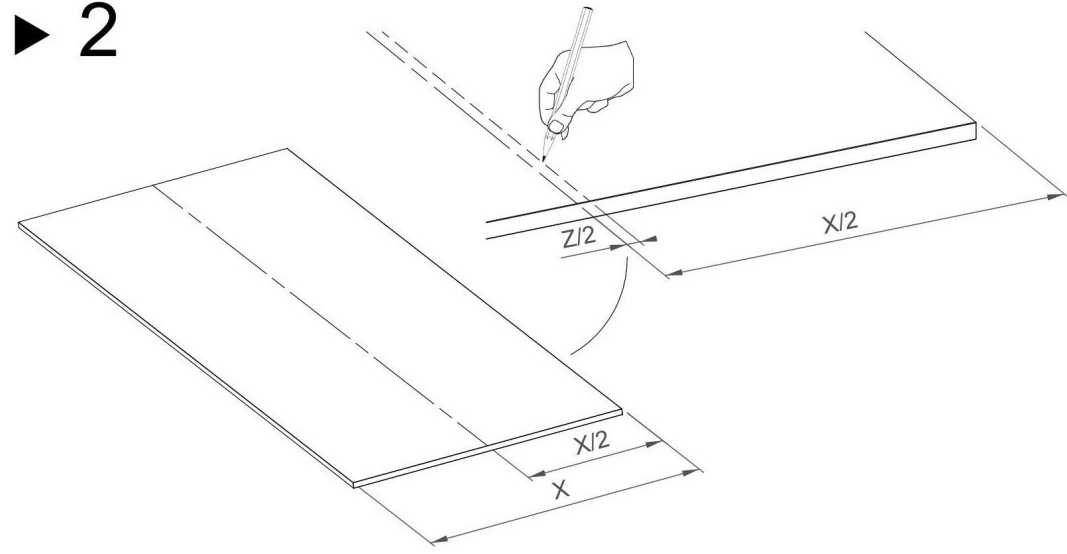
TYP 5



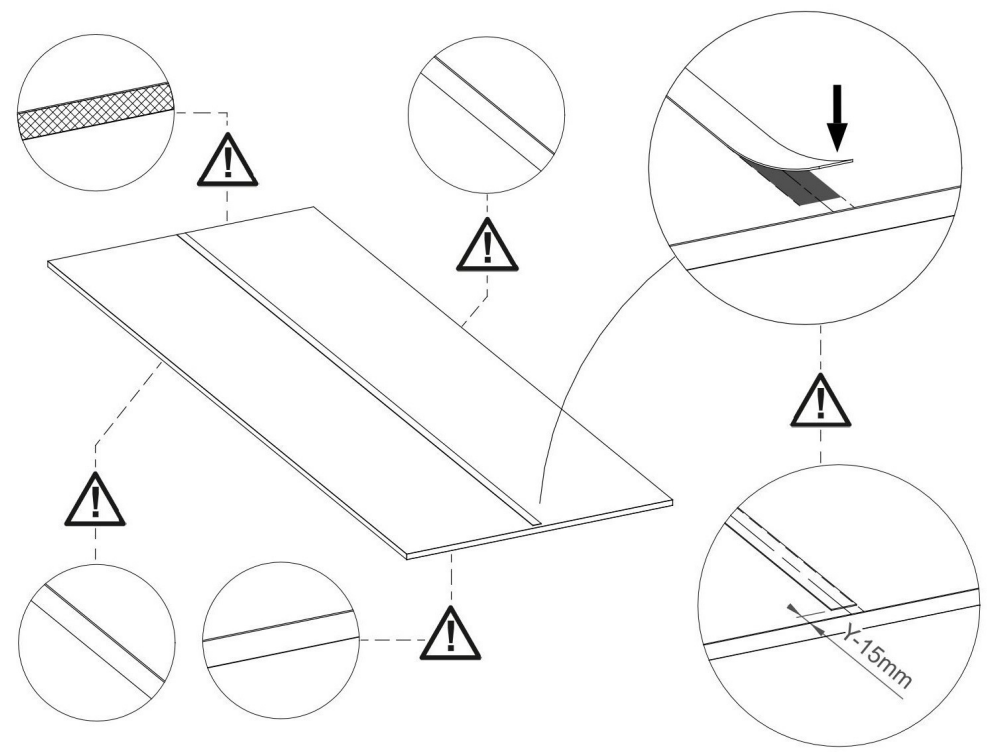
▶ 1



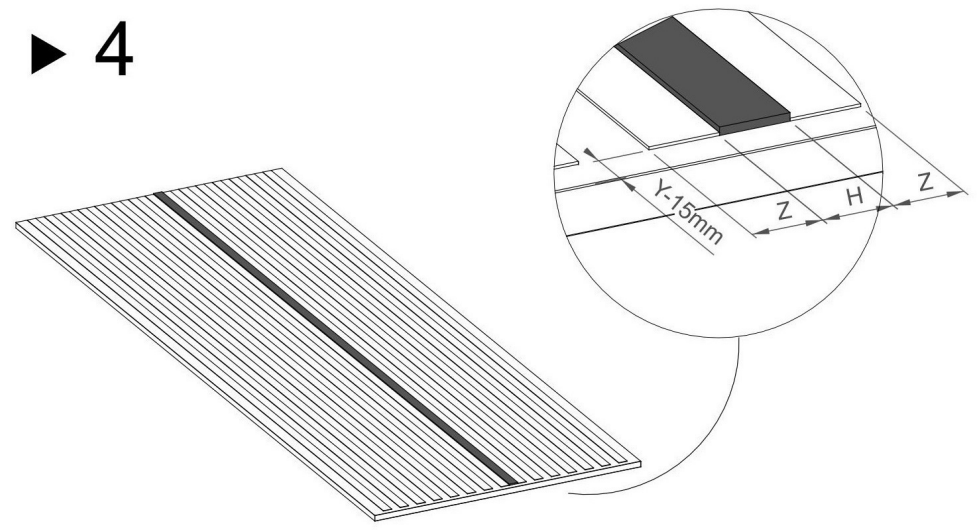
▶ 2



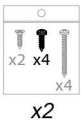
▶ 3



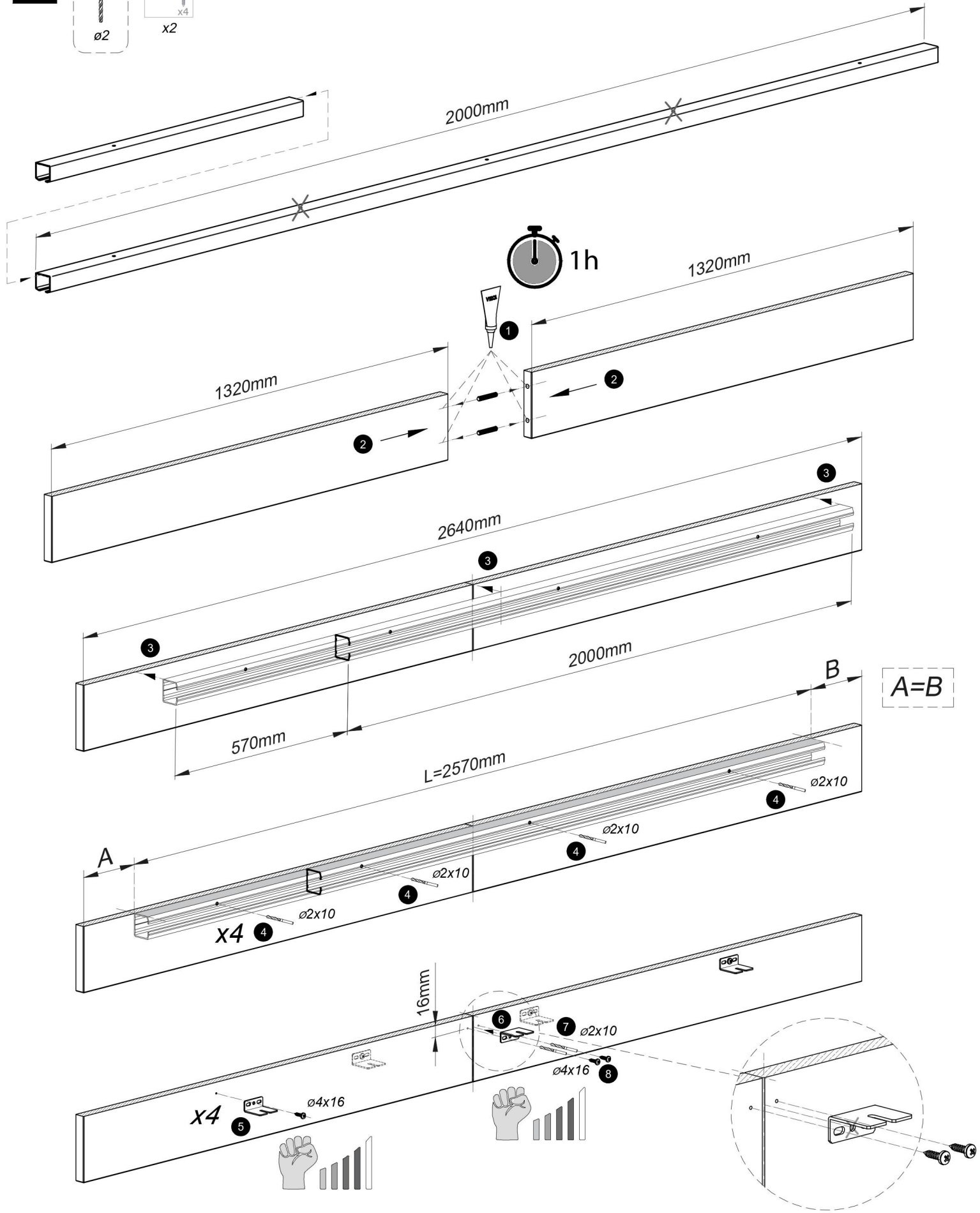
▶ 4



3a

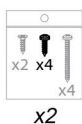


"120"

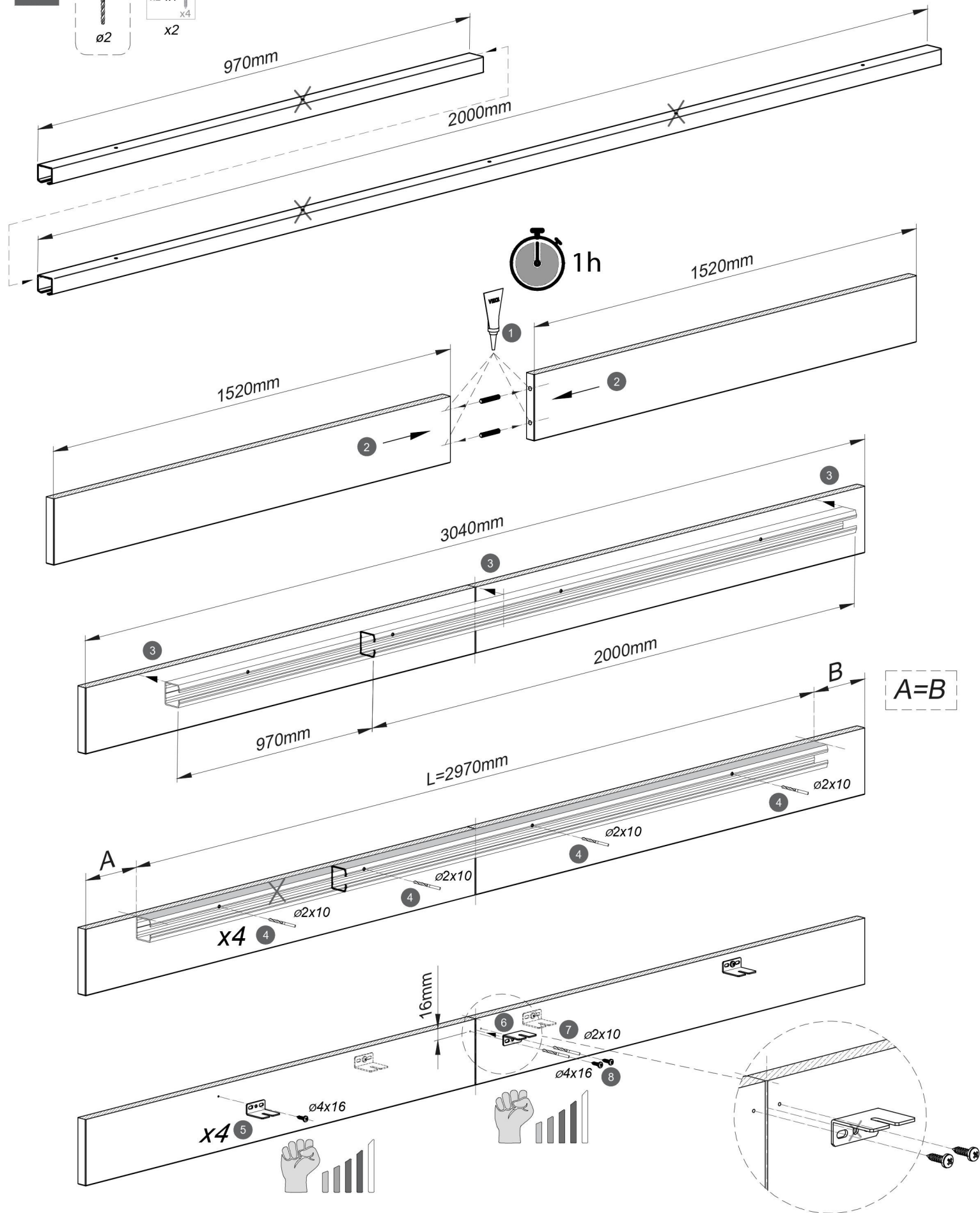




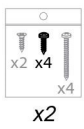
3b



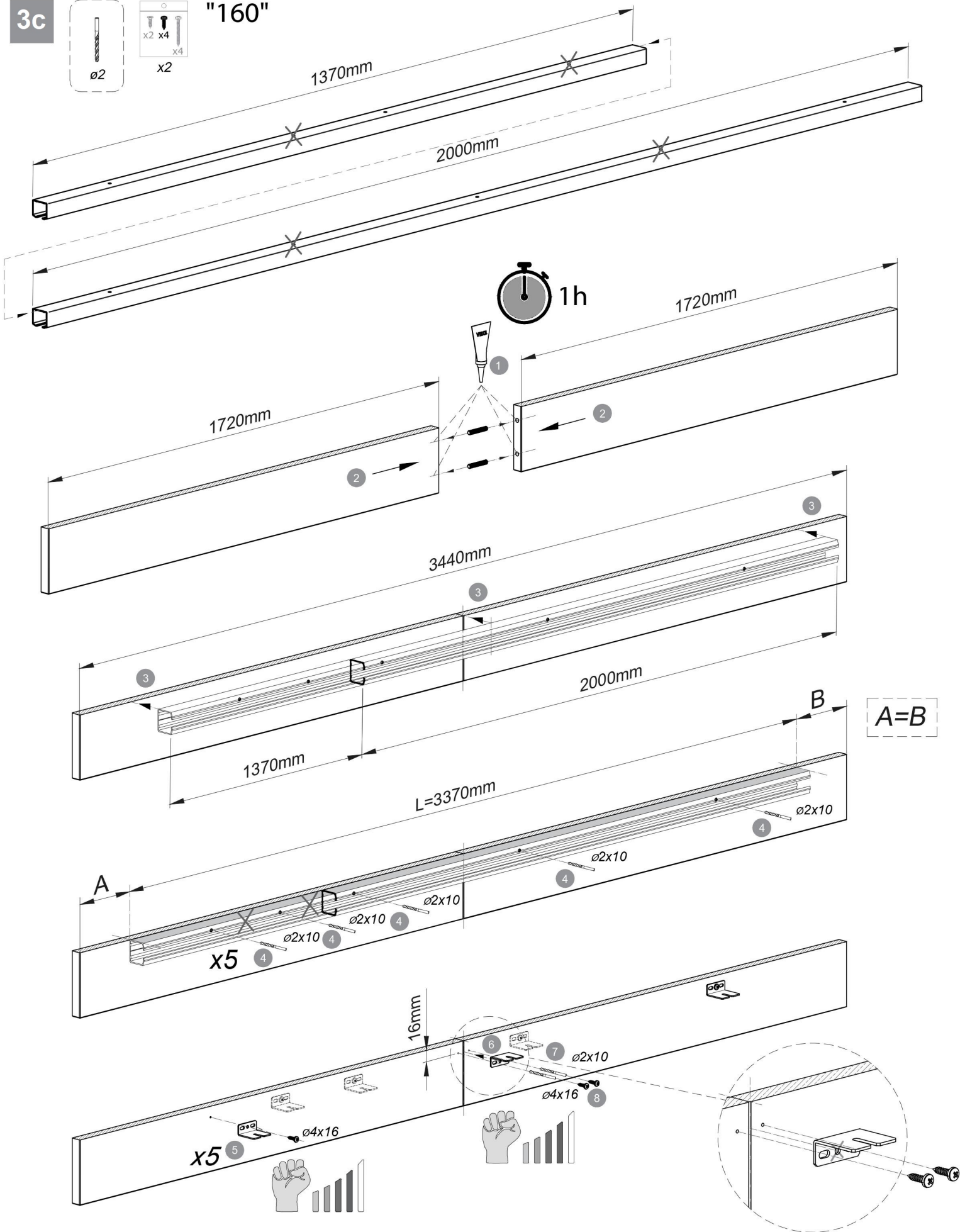
"140"



3c



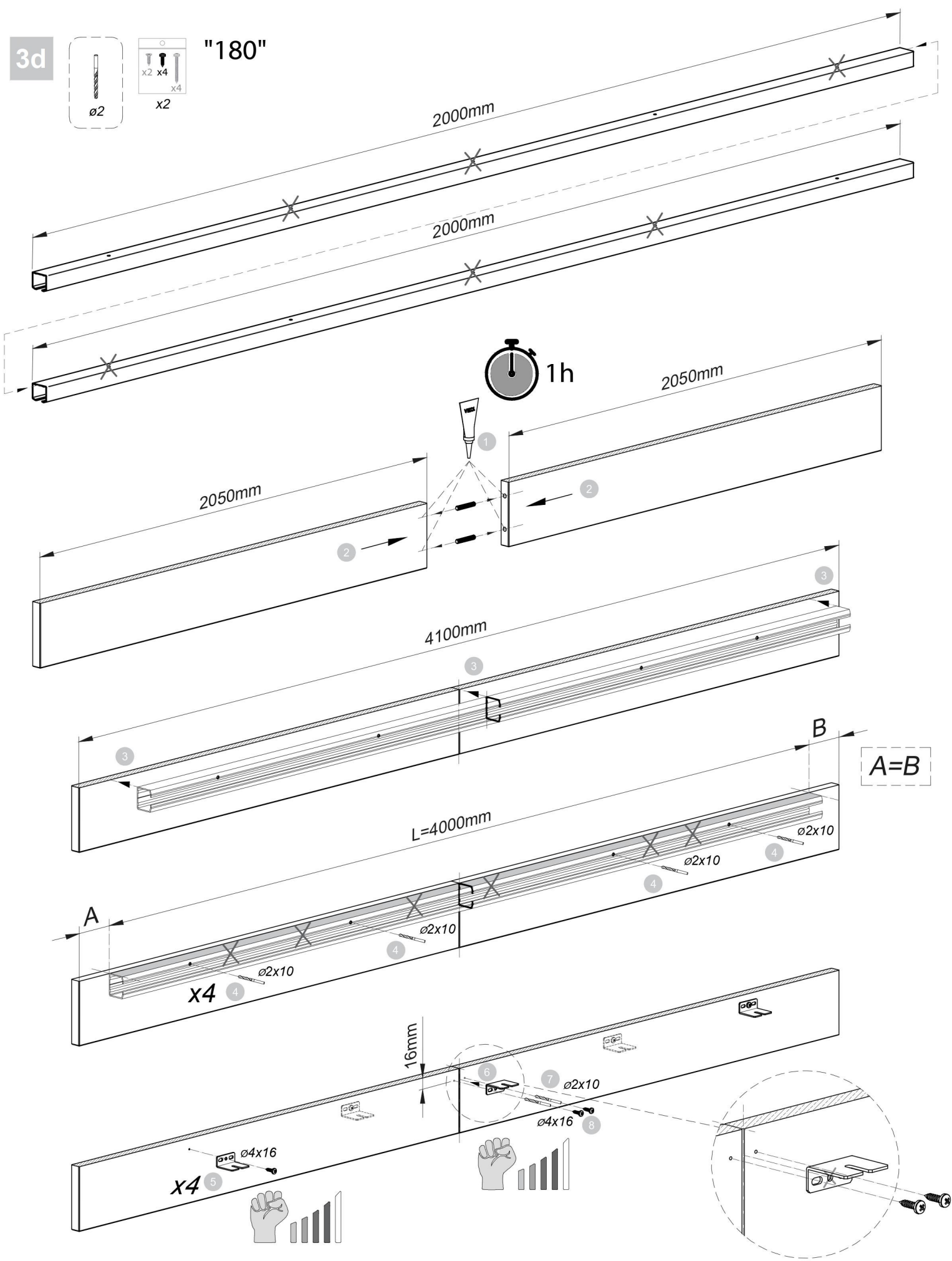
"160"



3d



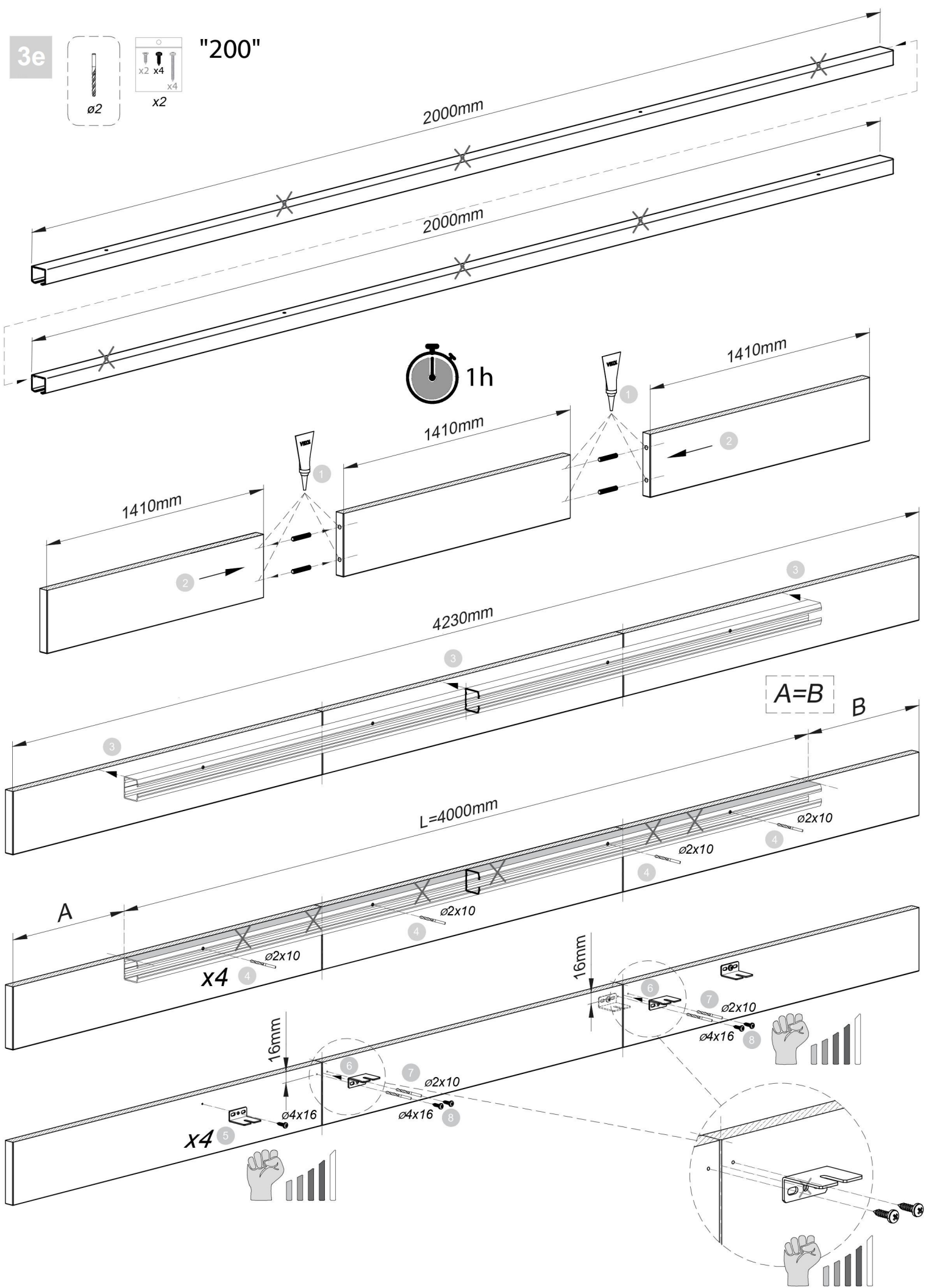
"180"



3e

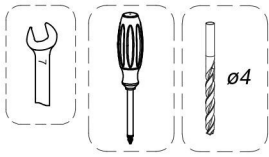


"200"





4a

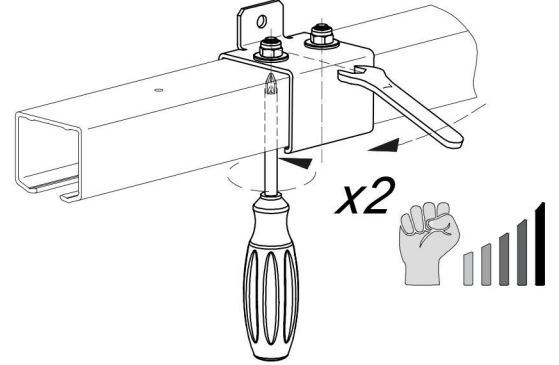
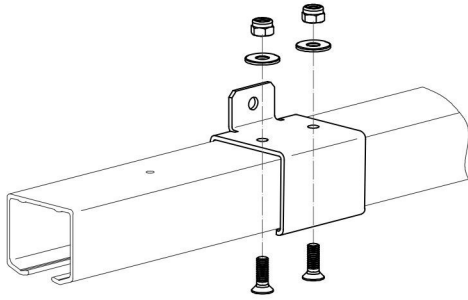
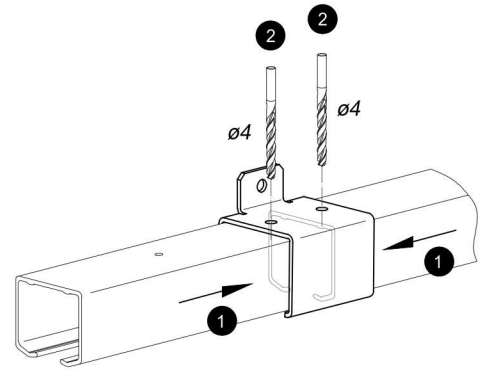
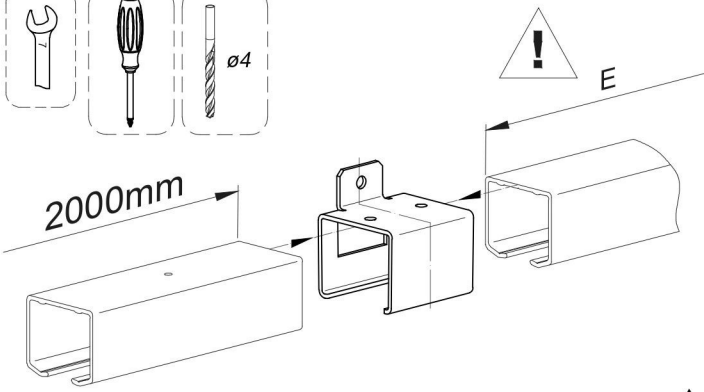


4b

4c

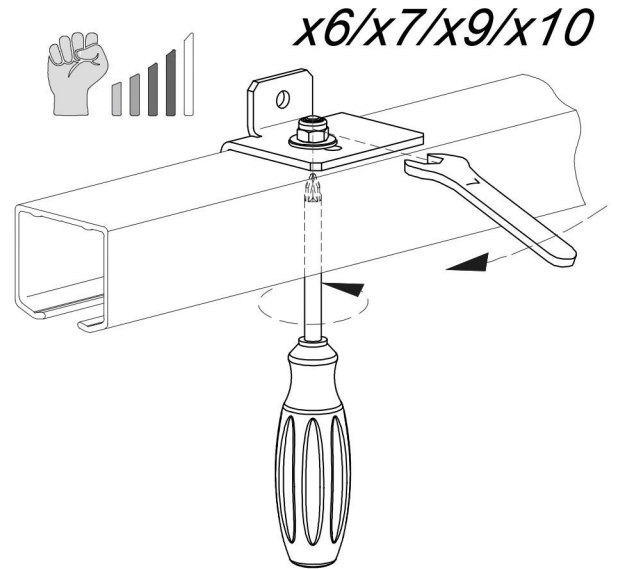
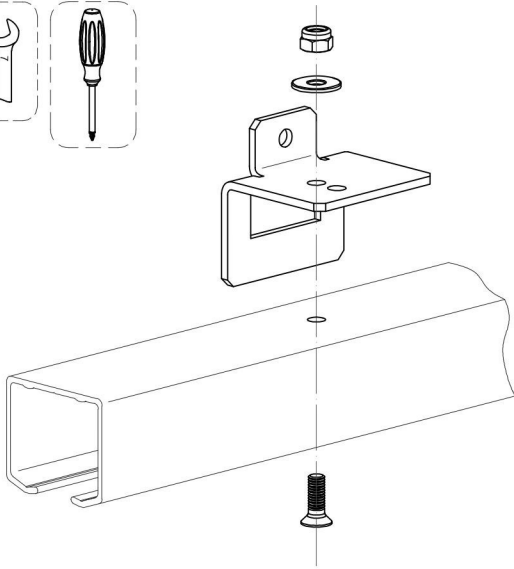
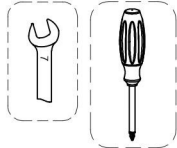
4d

4e

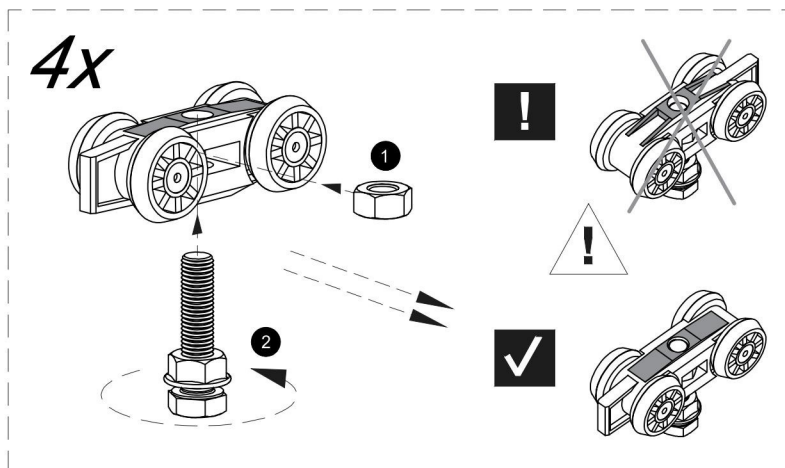


	"120"	"140"	"160"	"180"	"200"
E [mm]	570	970	1370	2000	

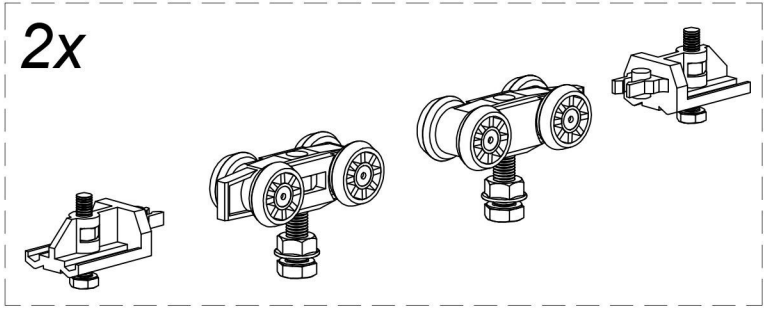
5



6



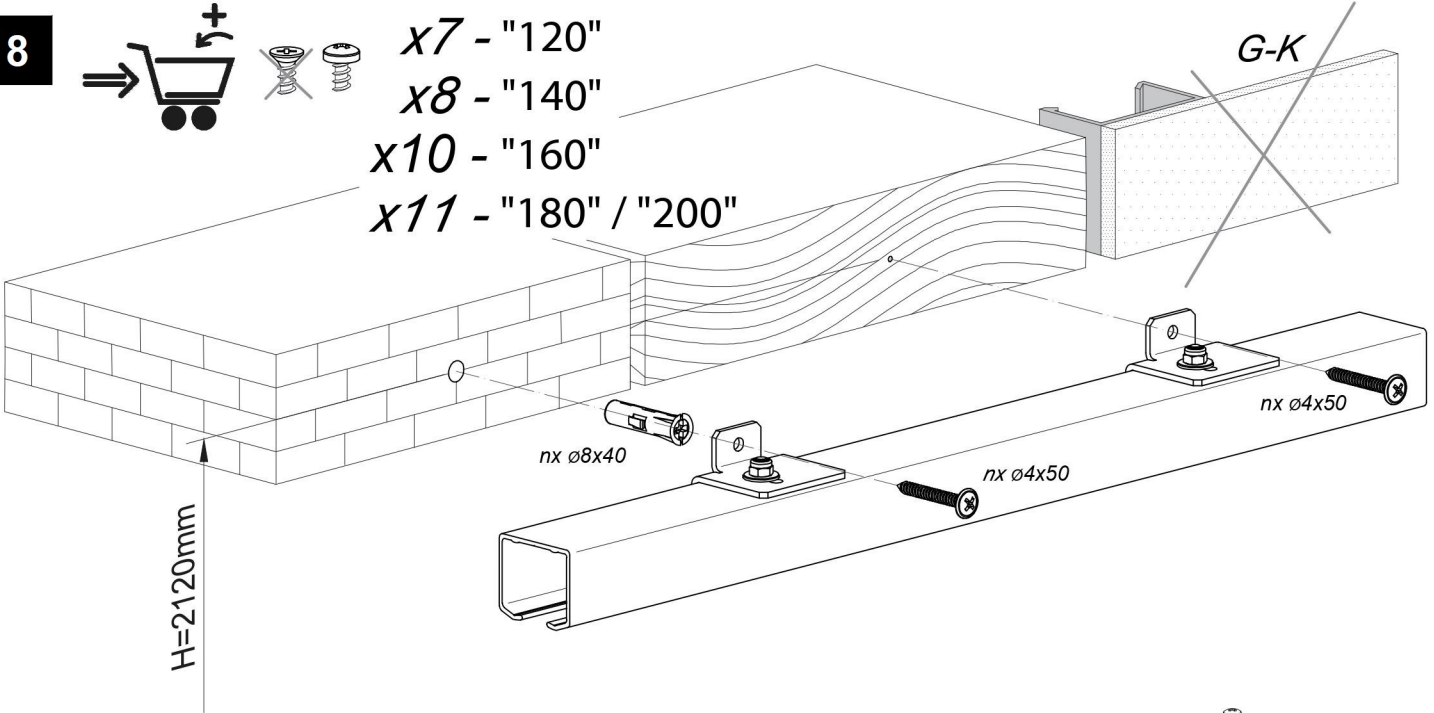
7



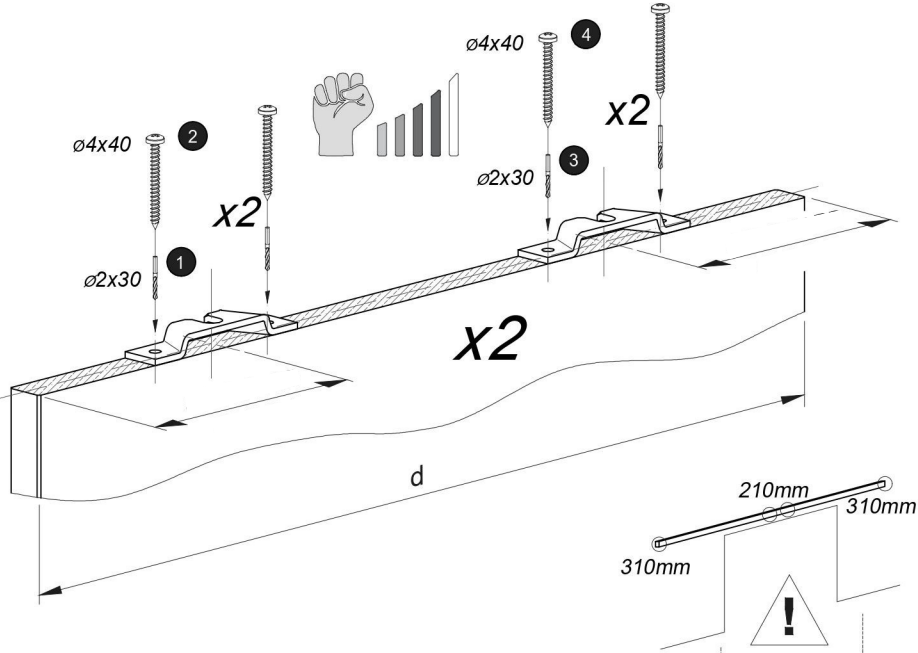
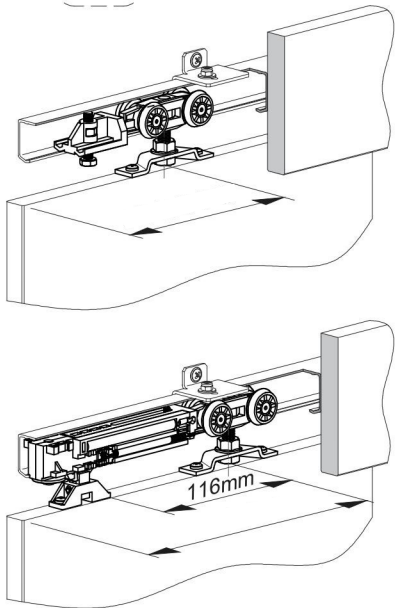
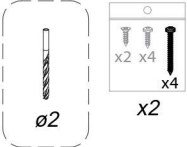
8



- x7 - "120"
- x8 - "140"
- x10 - "160"
- x11 - "180" / "200"

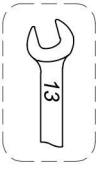


9

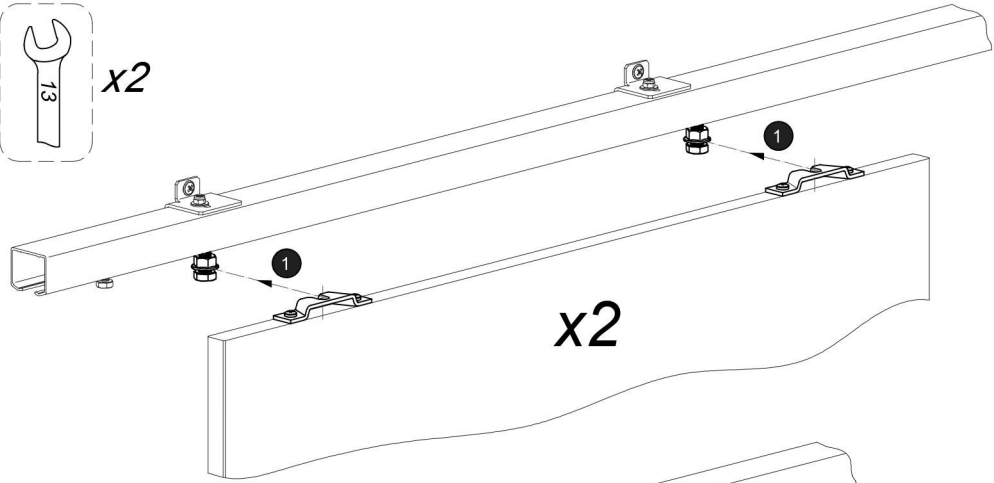


d [mm]	660 "120"	760 "140"	860 "160"	960 "180"	1060 "200"
[mm]		100			160
[mm]		180			210/310

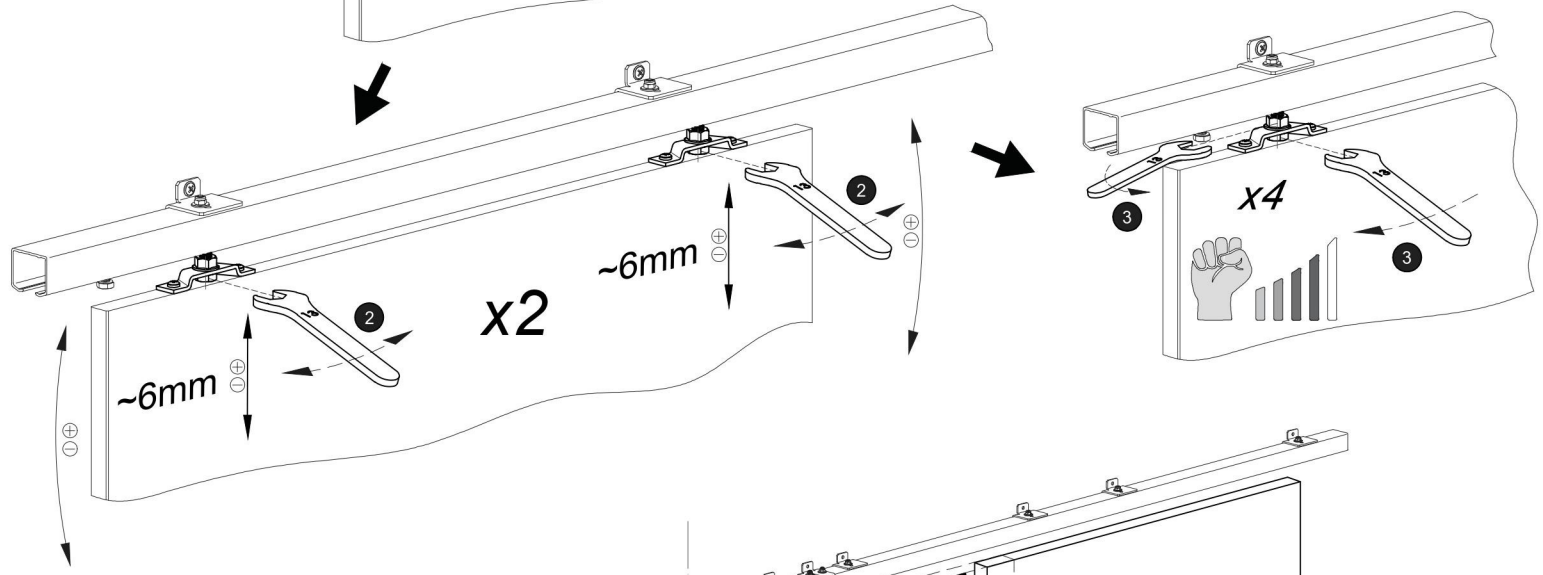
10



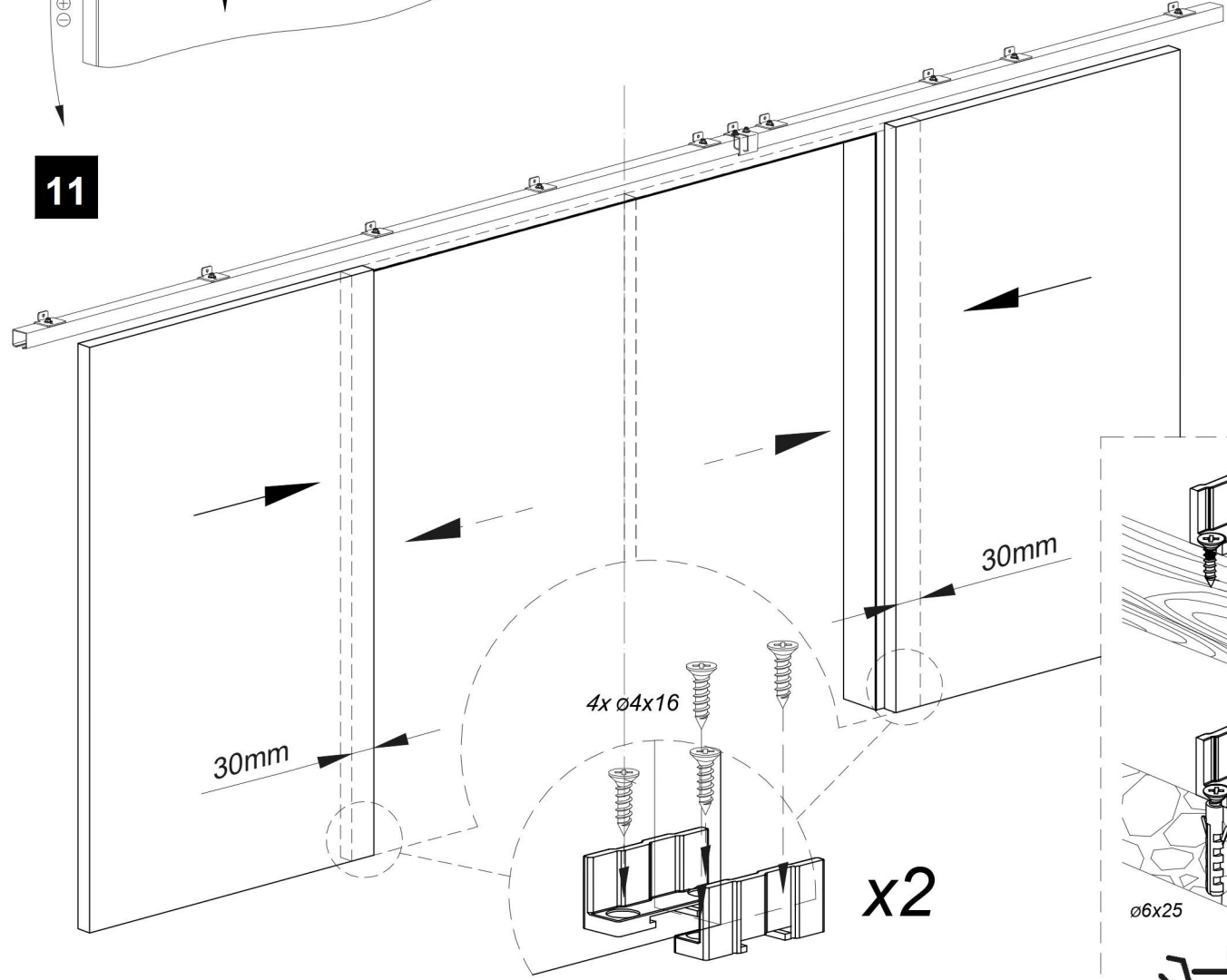
x2



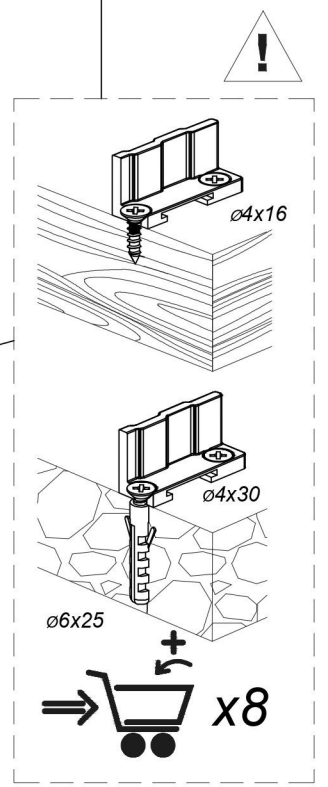
x2

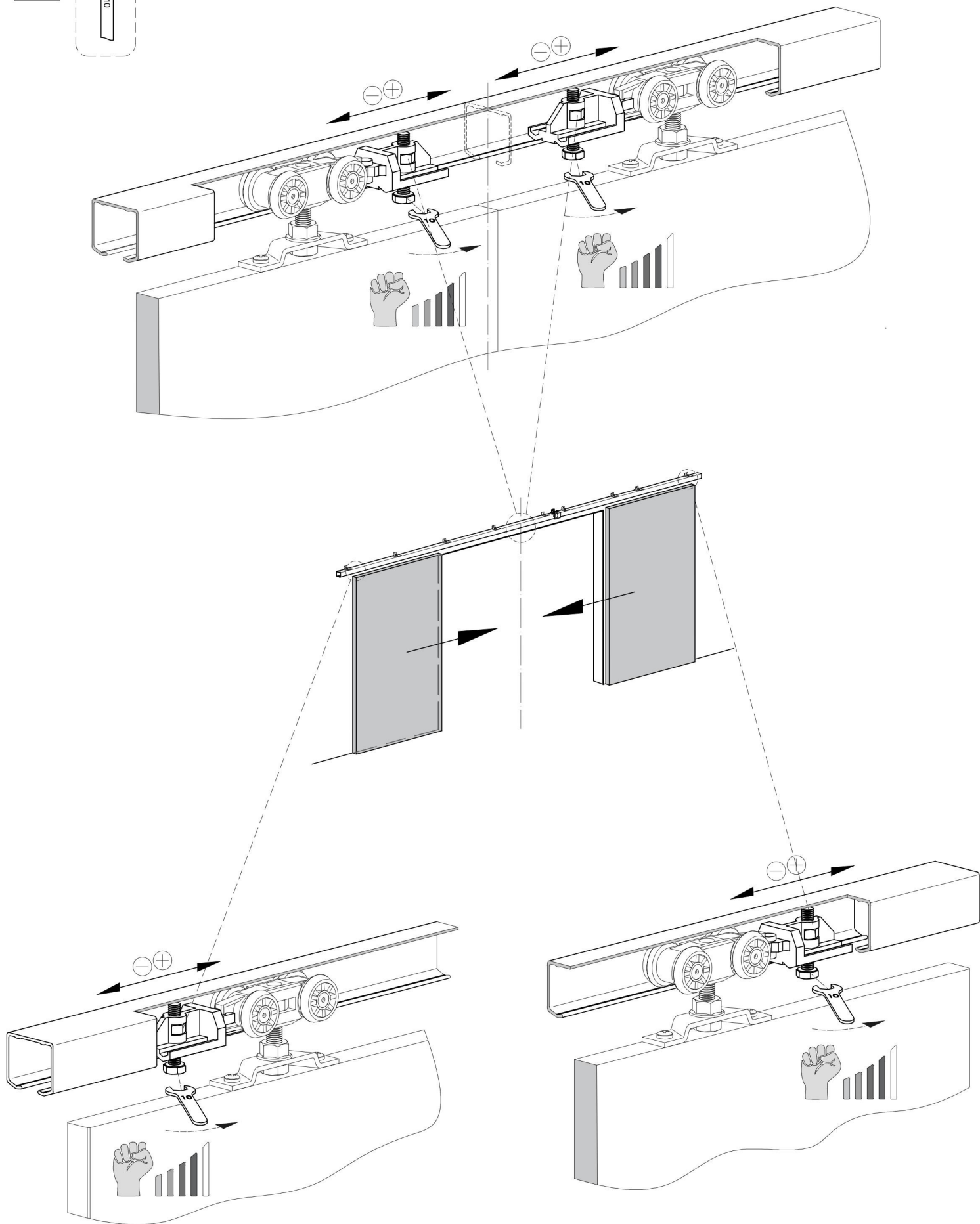


11



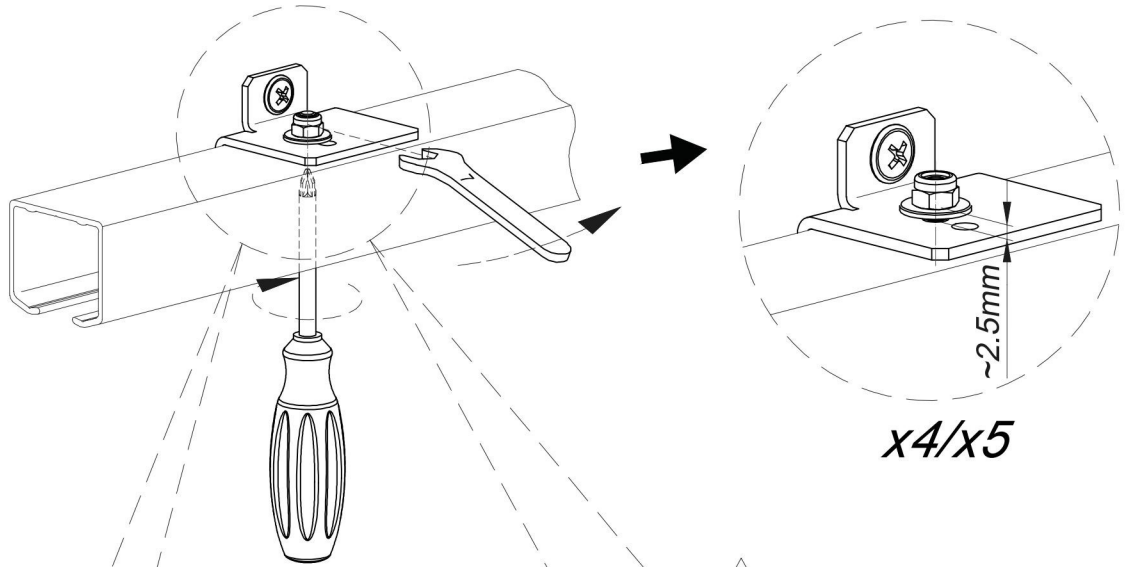
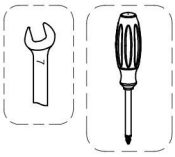
x2







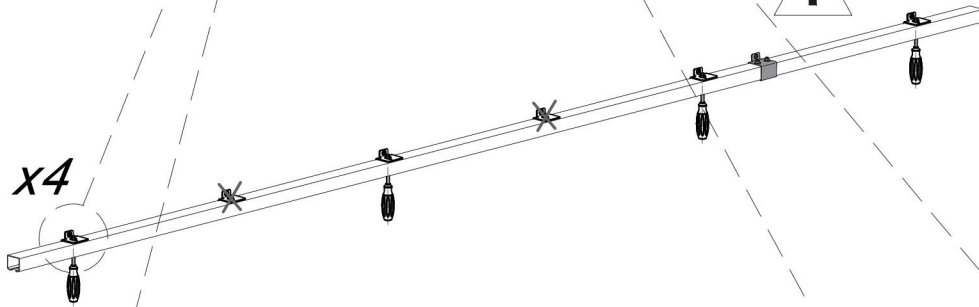
13



13a

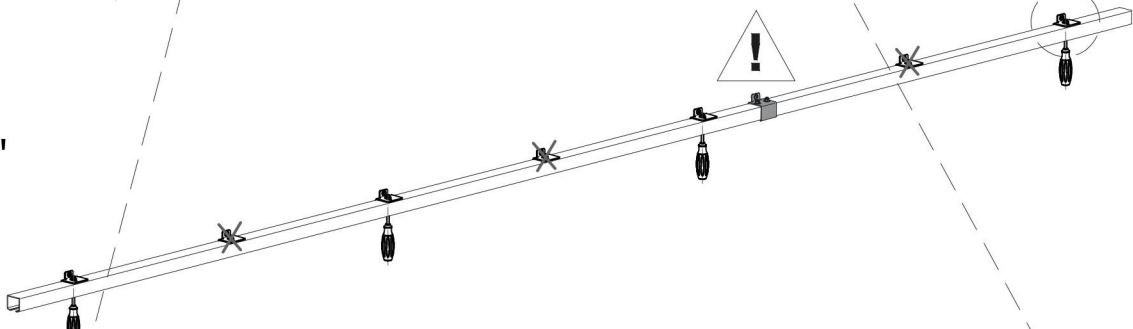
"120"

x4



13b

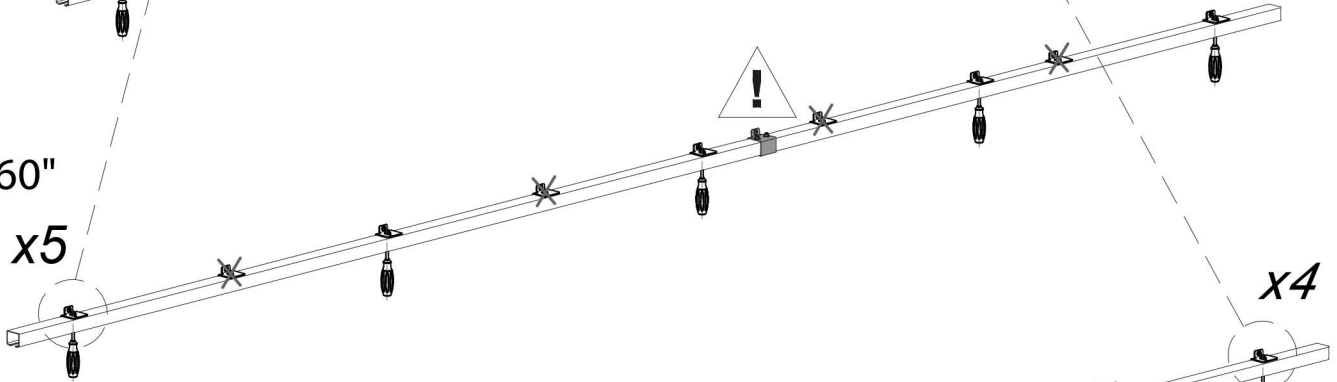
"140"



13c

"160"

x5

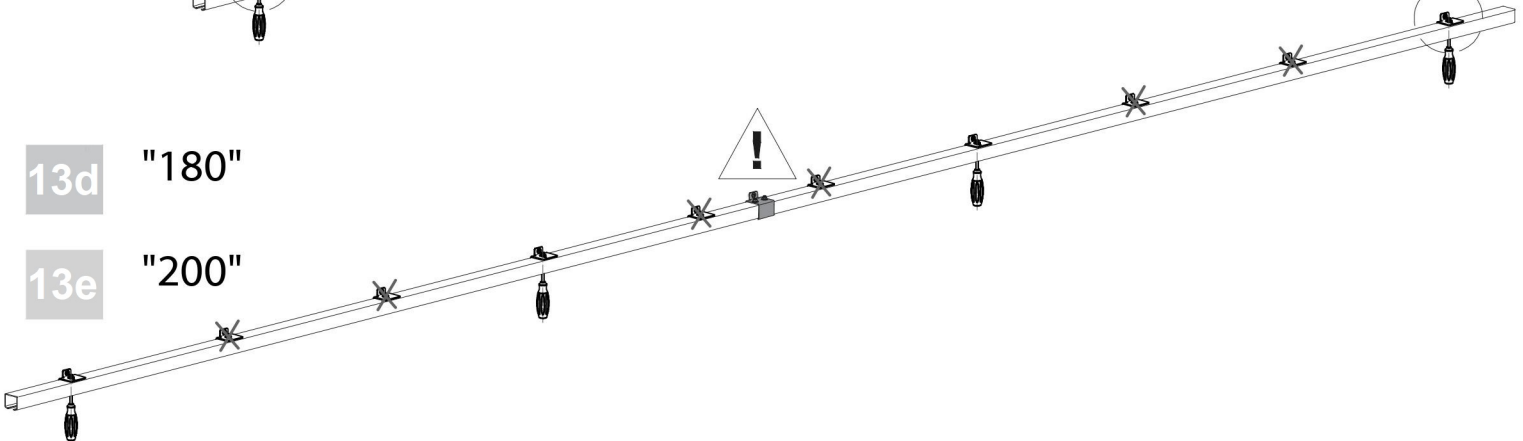


13d

"180"

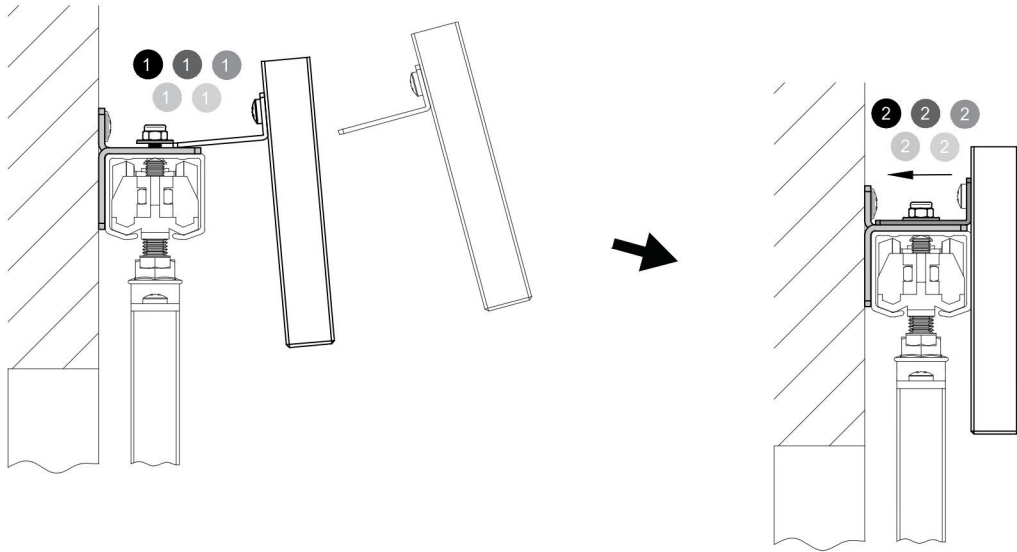
"200"

x4



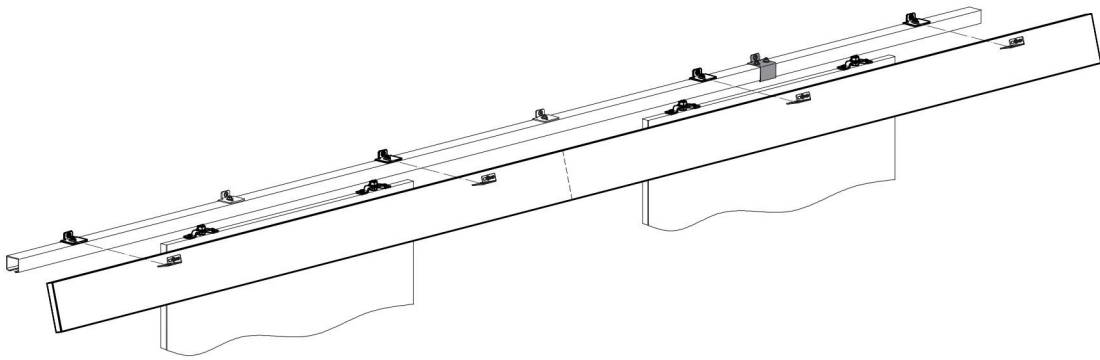
14

x4/x5



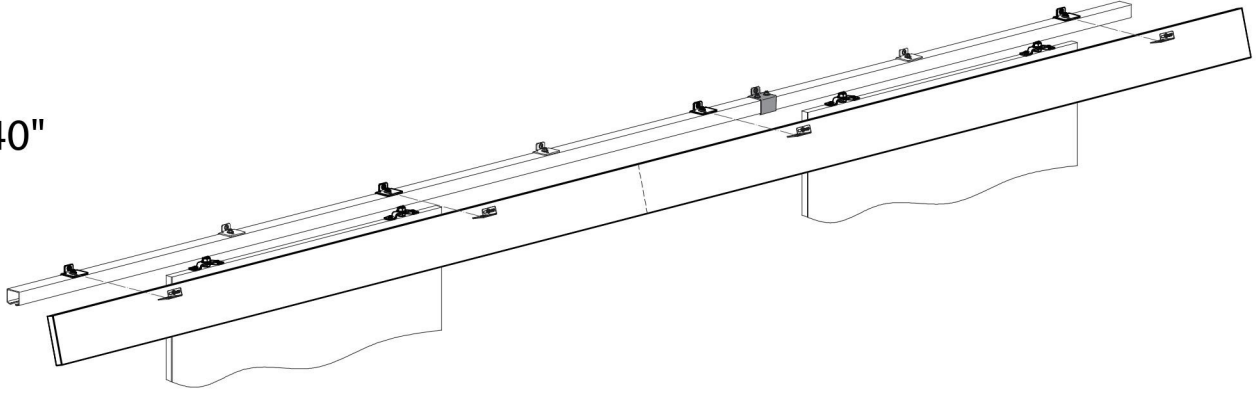
14a

"120"



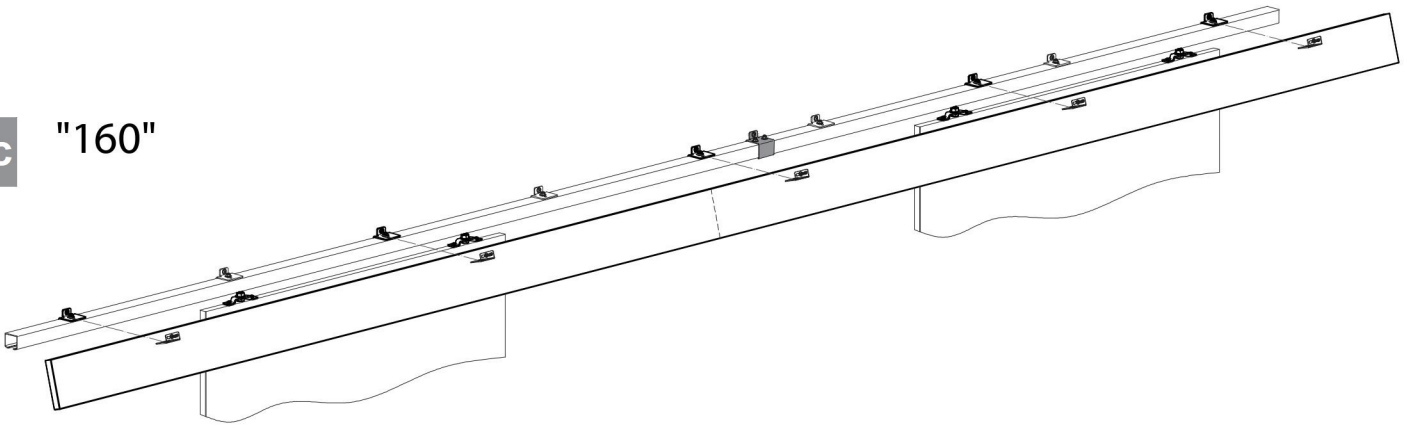
14b

"140"

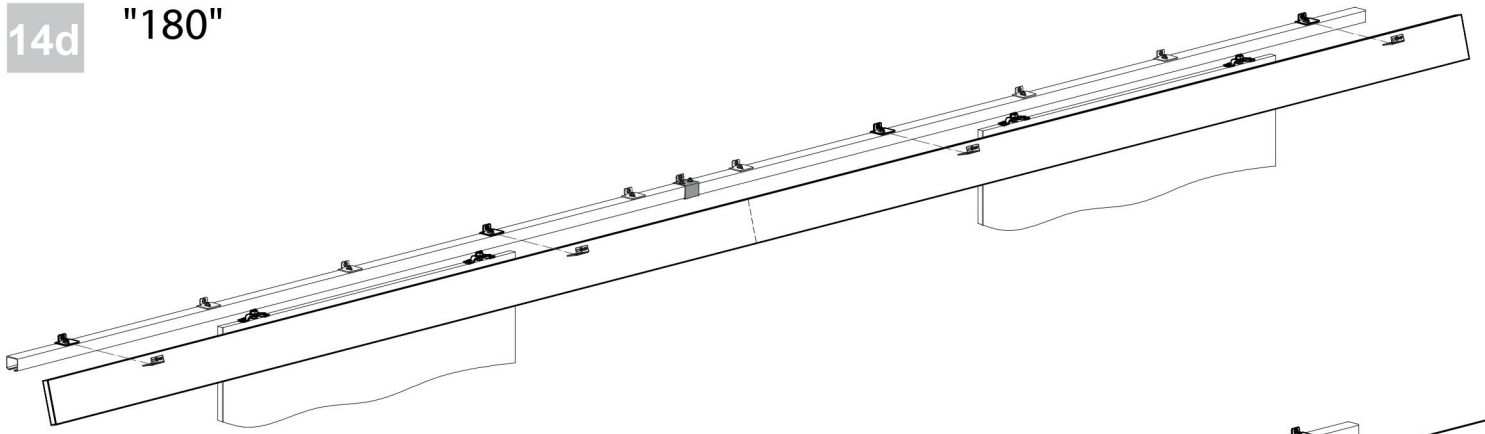


14c

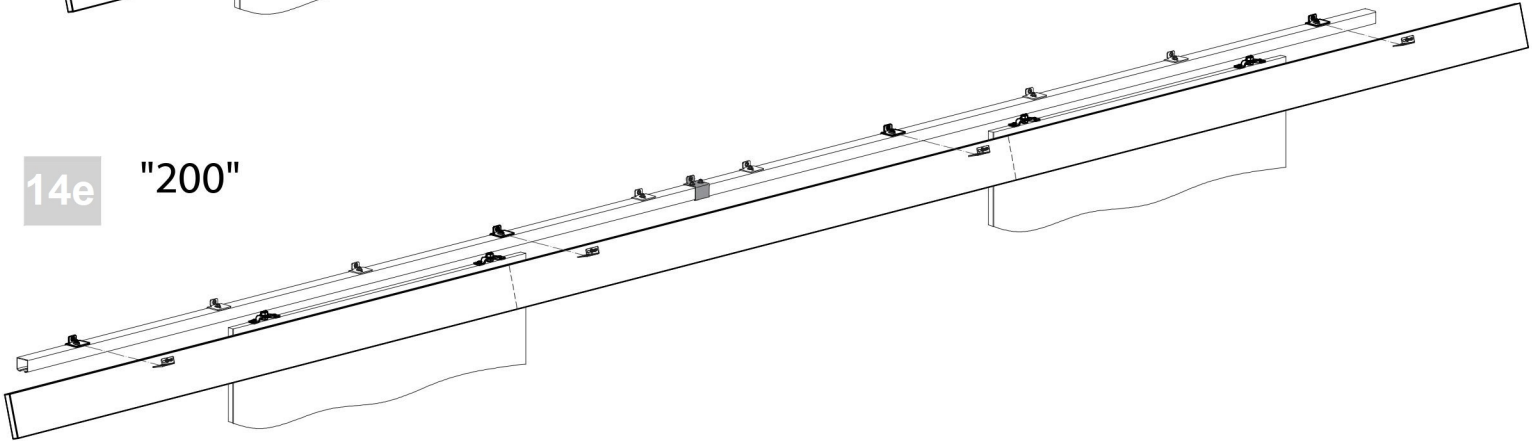
"160"



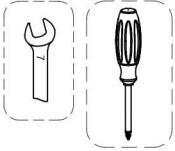
14d "180"



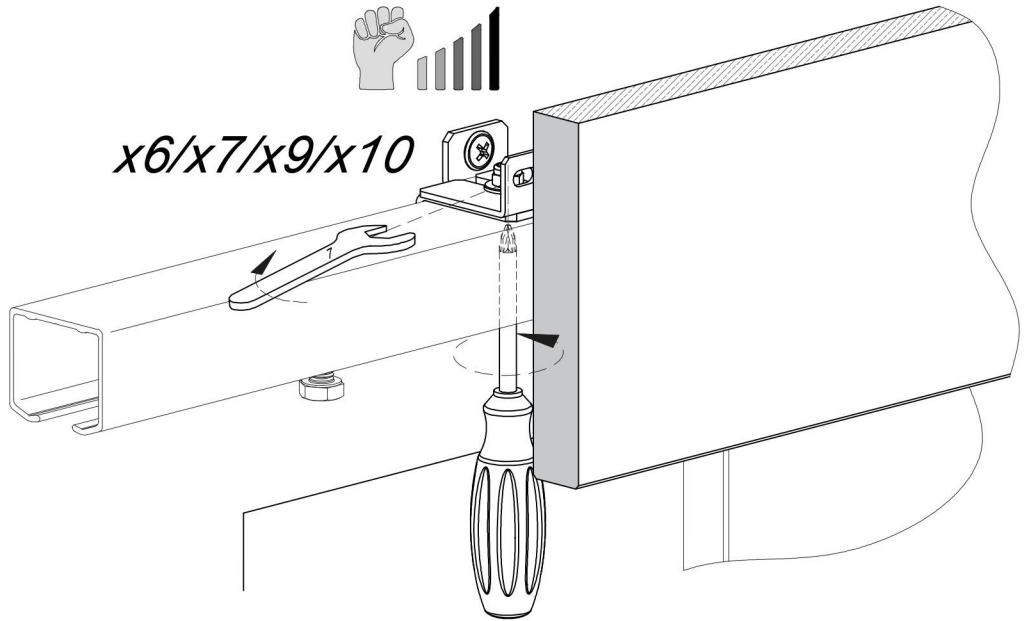
14e "200"



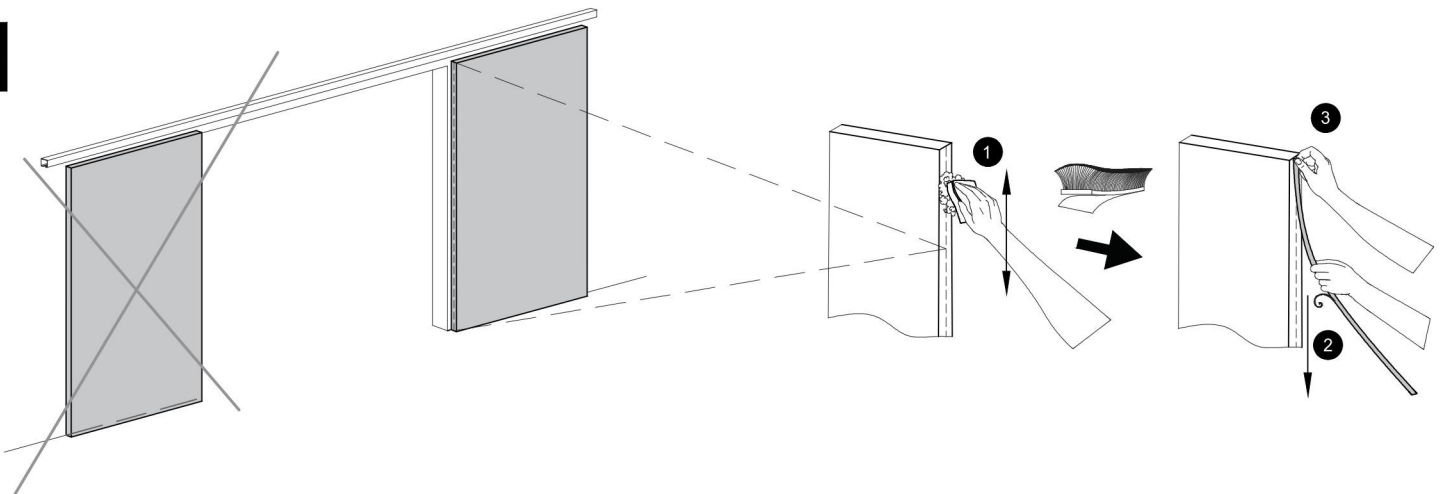
15

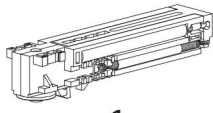


x6/x7/x9/x10



16





x1



x1



x2



#2

x1



#2.5

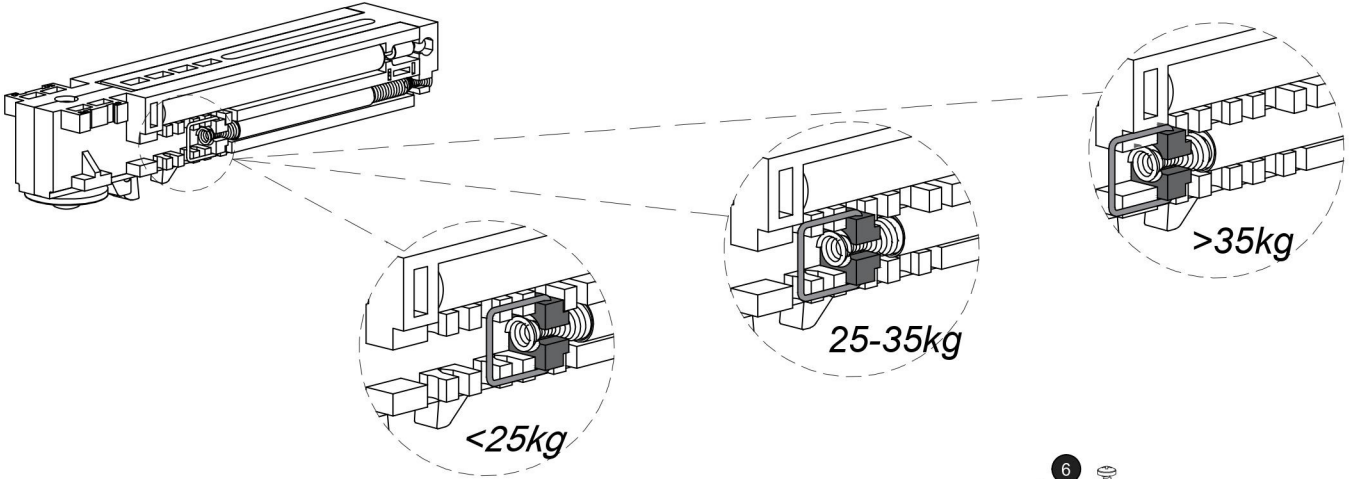
x1



#4

x1

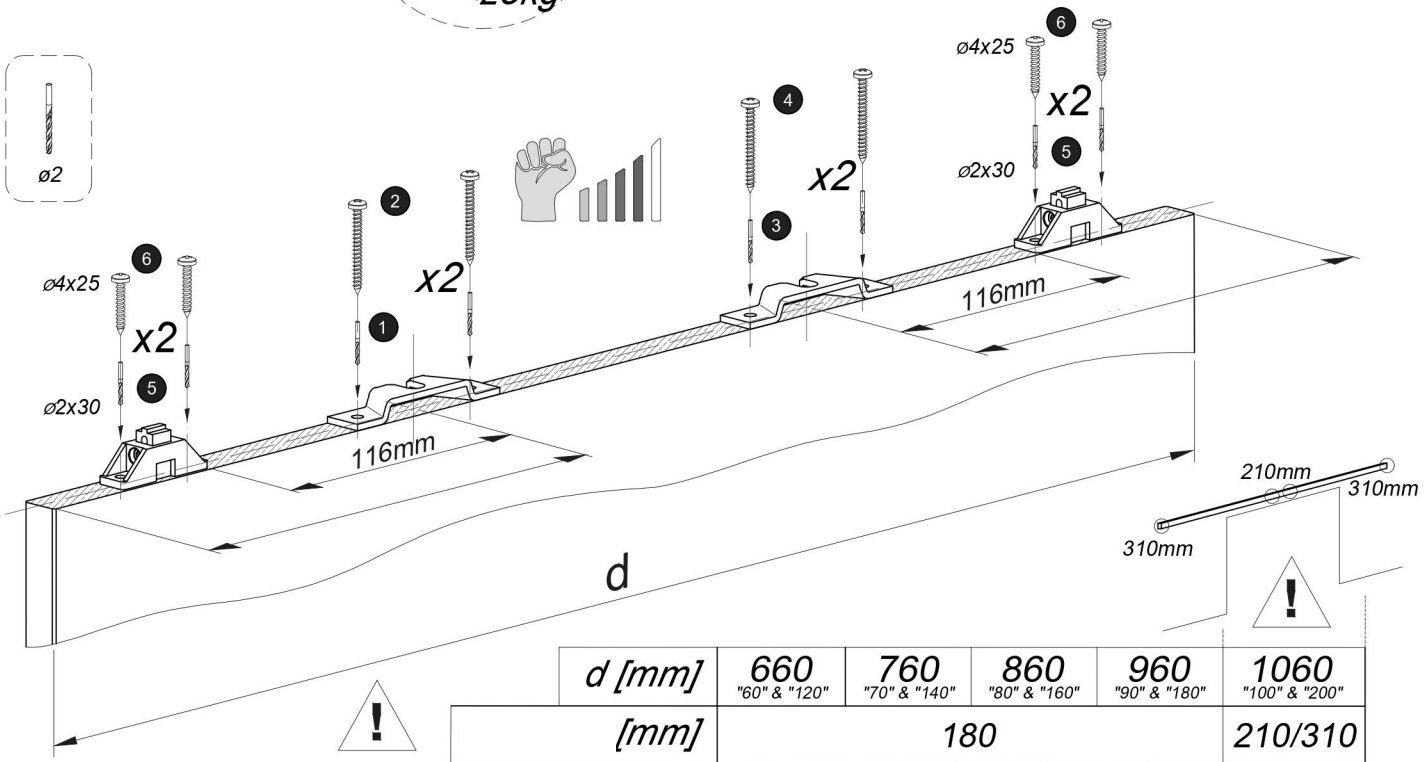
1



2

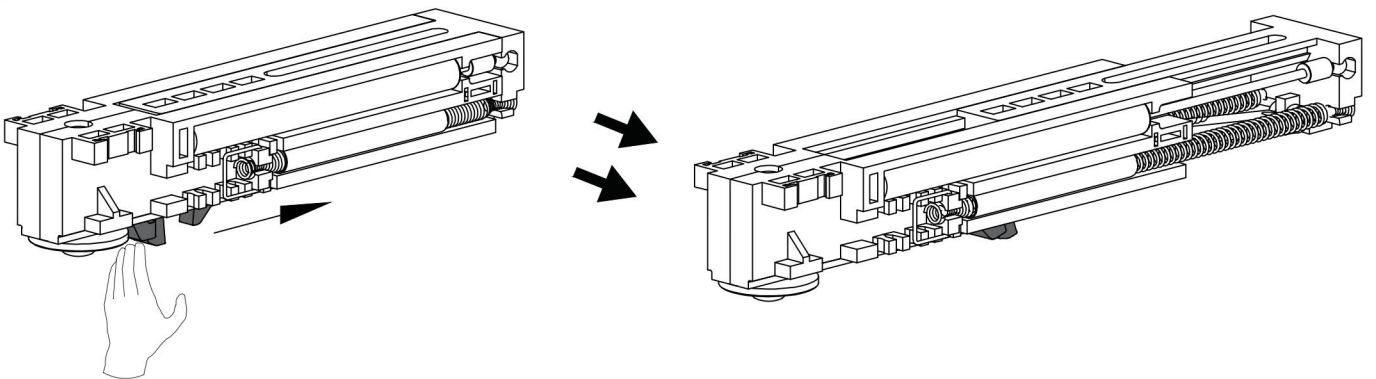


ø2



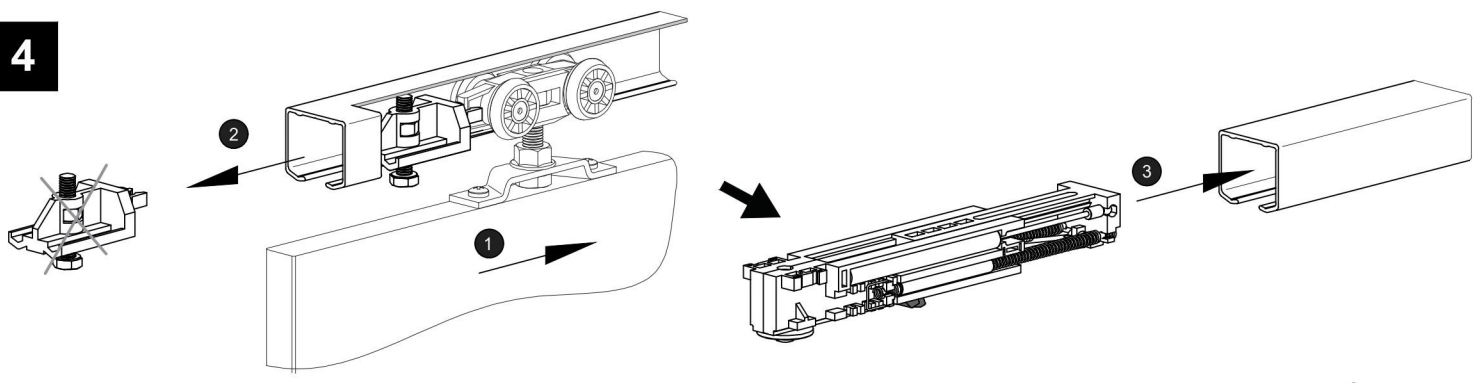
<i>d</i> [mm]	660	760	860	960	1060
	"60" & "120"	"70" & "140"	"80" & "160"	"90" & "180"	"100" & "200"
[mm]	180				210/310

3

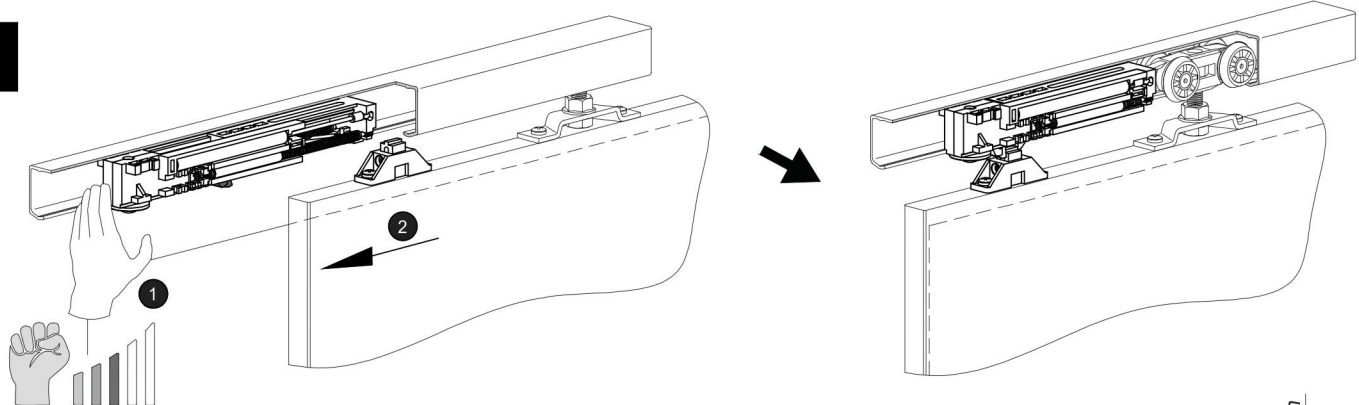




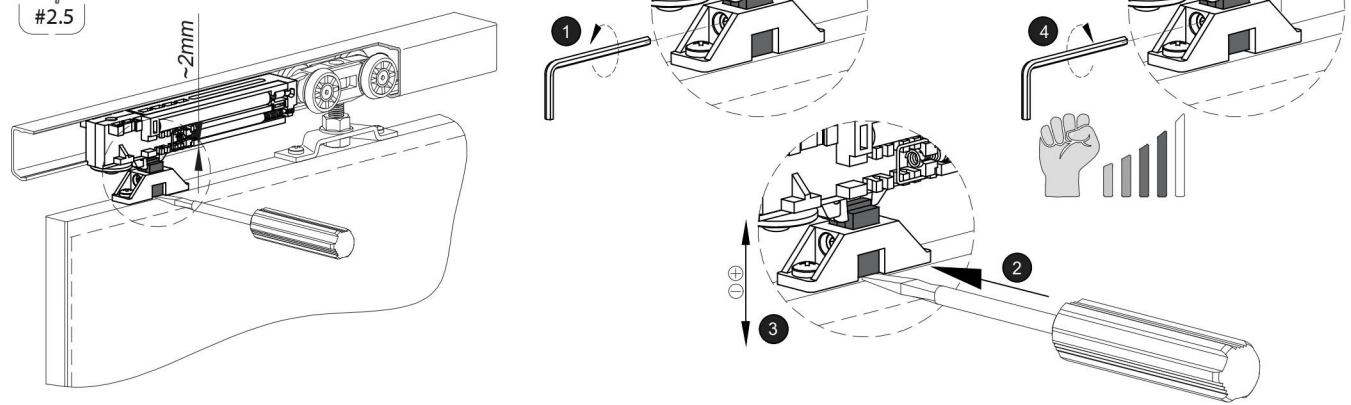
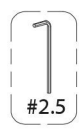
4



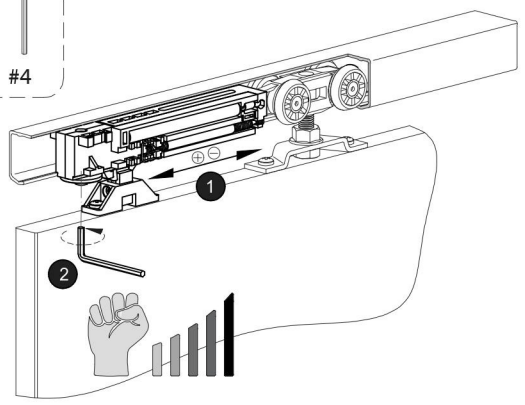
5



7



8



9

