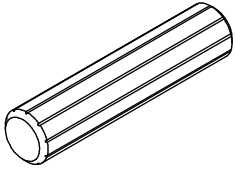
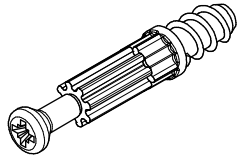


A1 x24



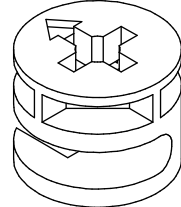
Ø8x35mm

B1 x20



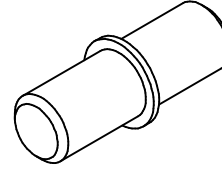
Ø5x38mm

C1 x20



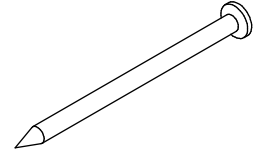
Ø15x12mm

E1 x4



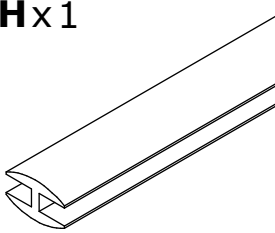
Ø5x16mm

G1 x62



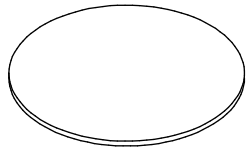
26mm

H x1



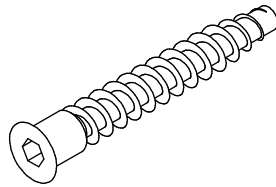
1145mm

J1 x10



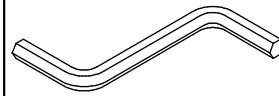
Ø21mm

K1 x10



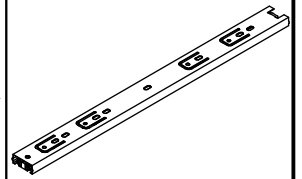
Ø6,4x50mm

N2 x1



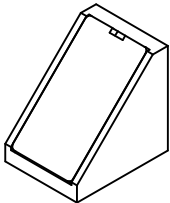
4mm HEX

P3 x4



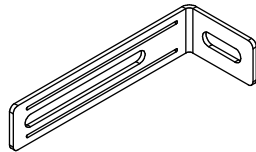
400mm

R1 x3



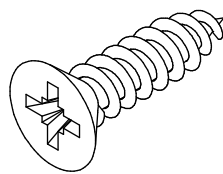
24x24x19mm

T4 x2



75x28x16 mm

W2 x34



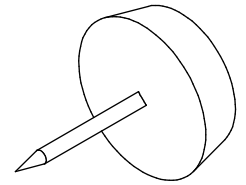
Ø3,5x16mm

Y1 x5



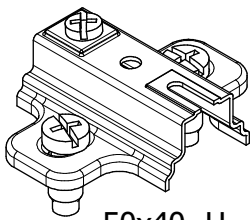
Ø8x1,5mm

Y5 x6



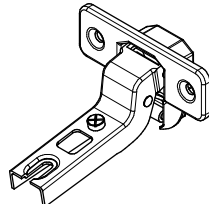
Ø15x20mm

Z2 x2

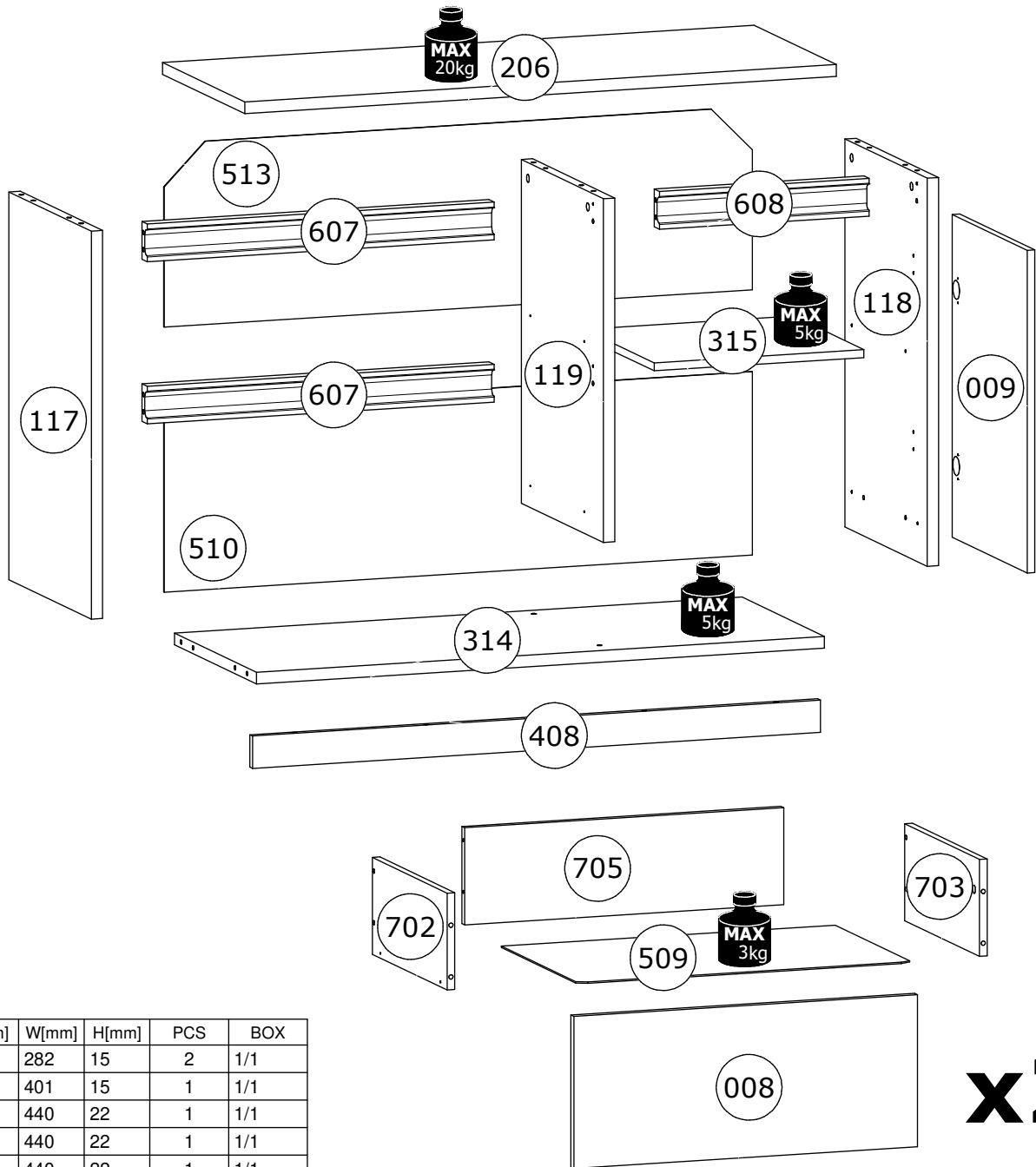
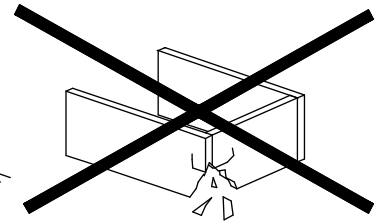
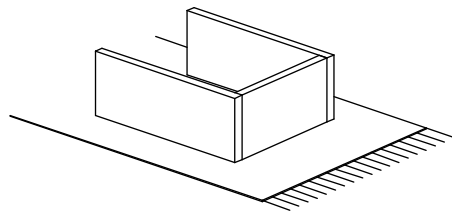
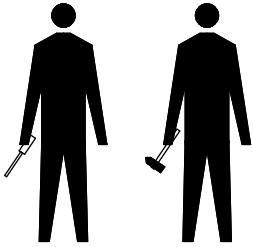


50x40, H=4

Z5 x2



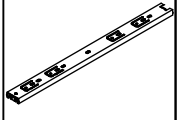
Ø35mm, ZK17



No	L[mm]	W[mm]	H[mm]	PCS	BOX
008	669	282	15	2	1/1
009	599	401	15	1	1/1
117	720	440	22	1	1/1
118	720	440	22	1	1/1
119	638	440	22	1	1/1
206	1151	440	22	1	1/1
314	1105	440	22	1	1/1
315	408	376	15	1	1/1
408	1105	60	15	1	1/1
509	650	408	2,5	2	1/1
510	1145	340	2,5	1	1/1
513	1145	340	2,5	1	1/1
607	675	70	28	2	1/1
608	408	70	28	1	1/1
702	400	180	15	2	1/1
703	400	180	15	2	1/1
705	621	180	15	2	1/1

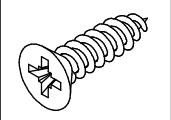
1

P3 x4

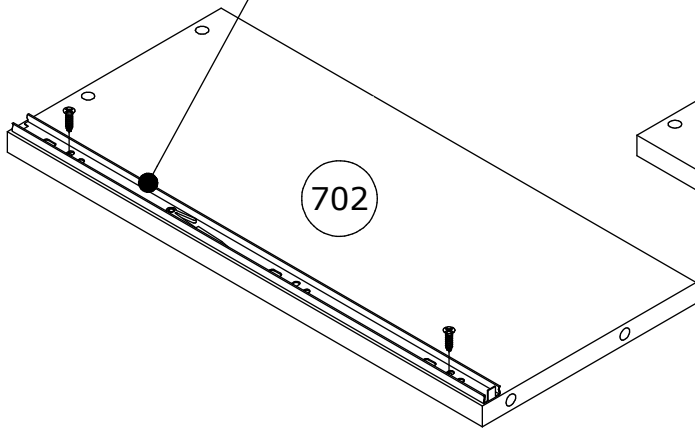
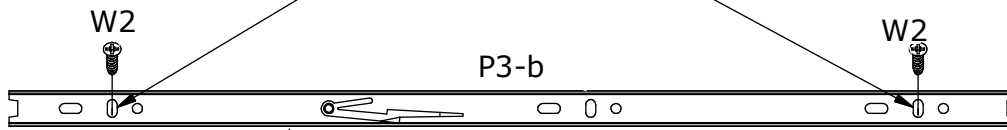
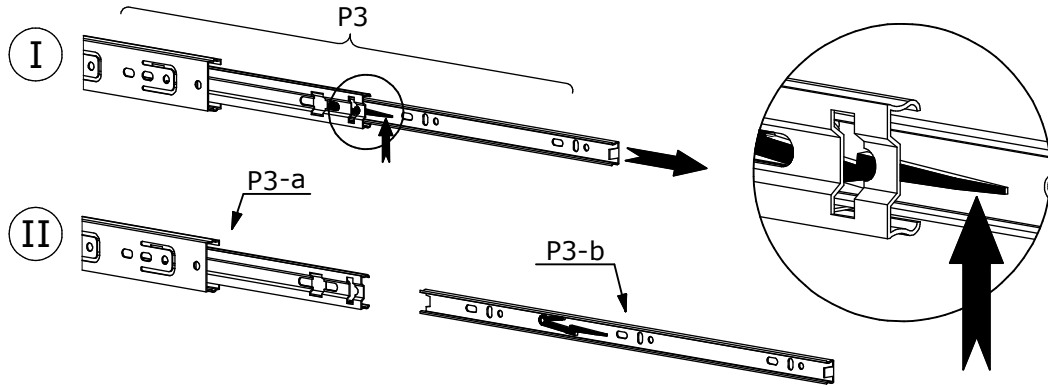
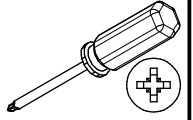


400mm

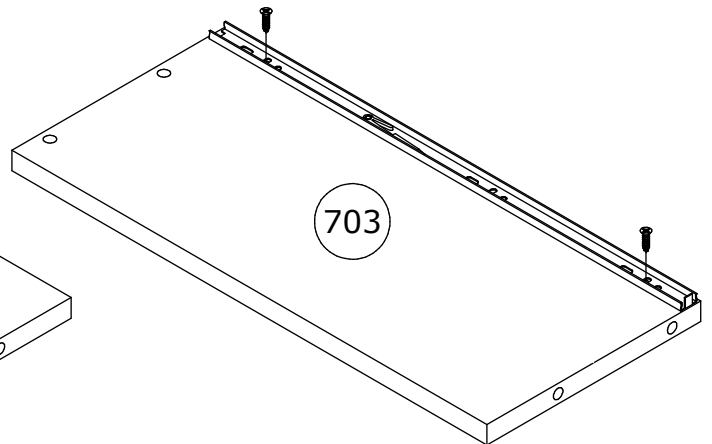
W2 x8



Ø3,5x16mm



702

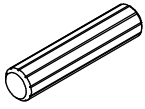


703

x2

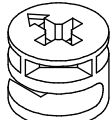
2

A1 x4

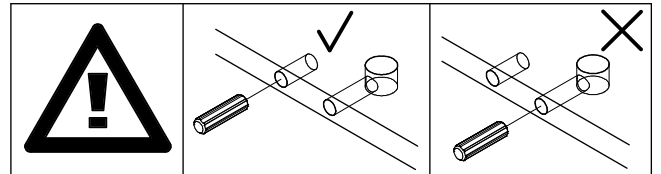
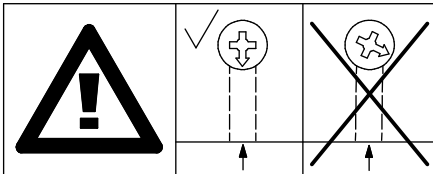
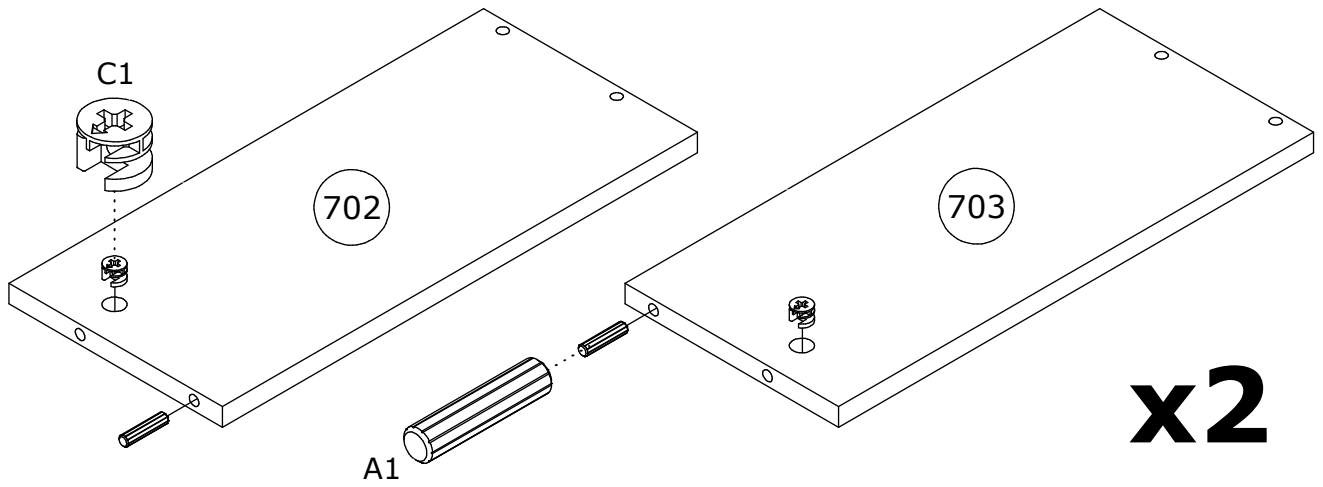
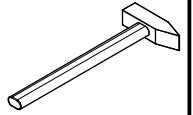


Ø8x35mm

C1 x4

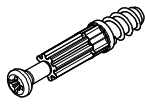


Ø15x12mm

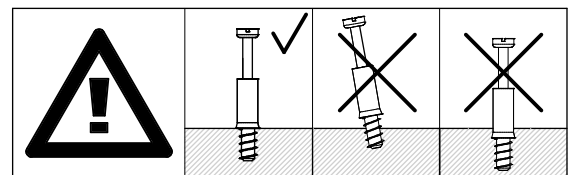
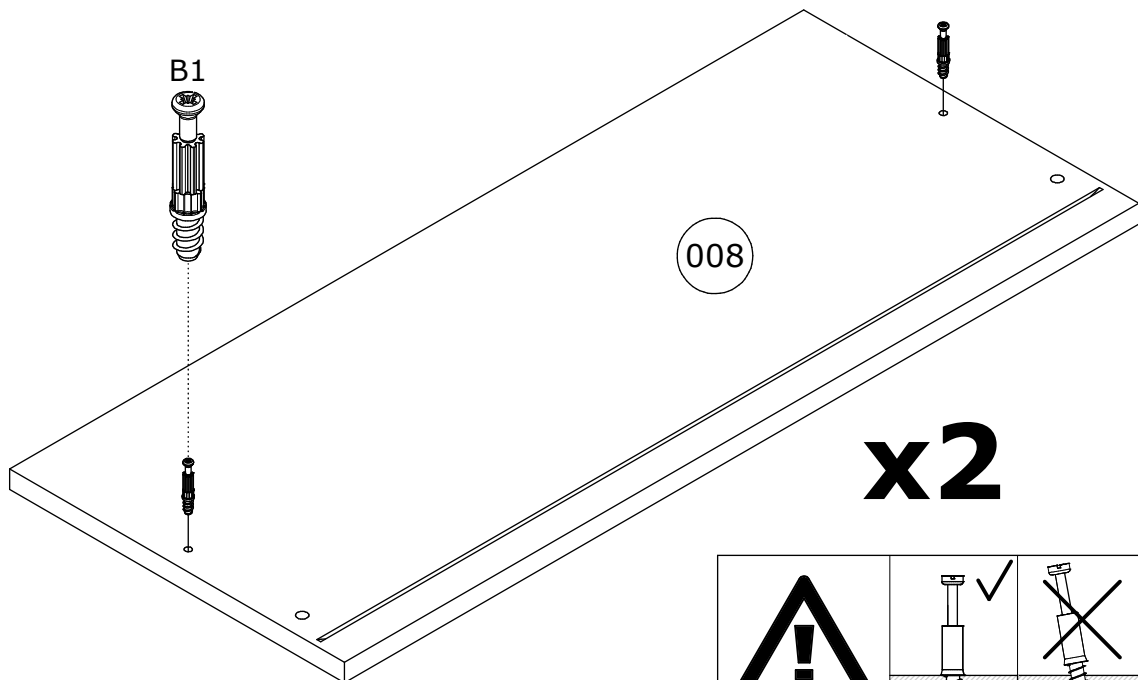
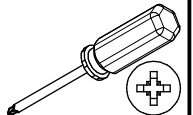


3

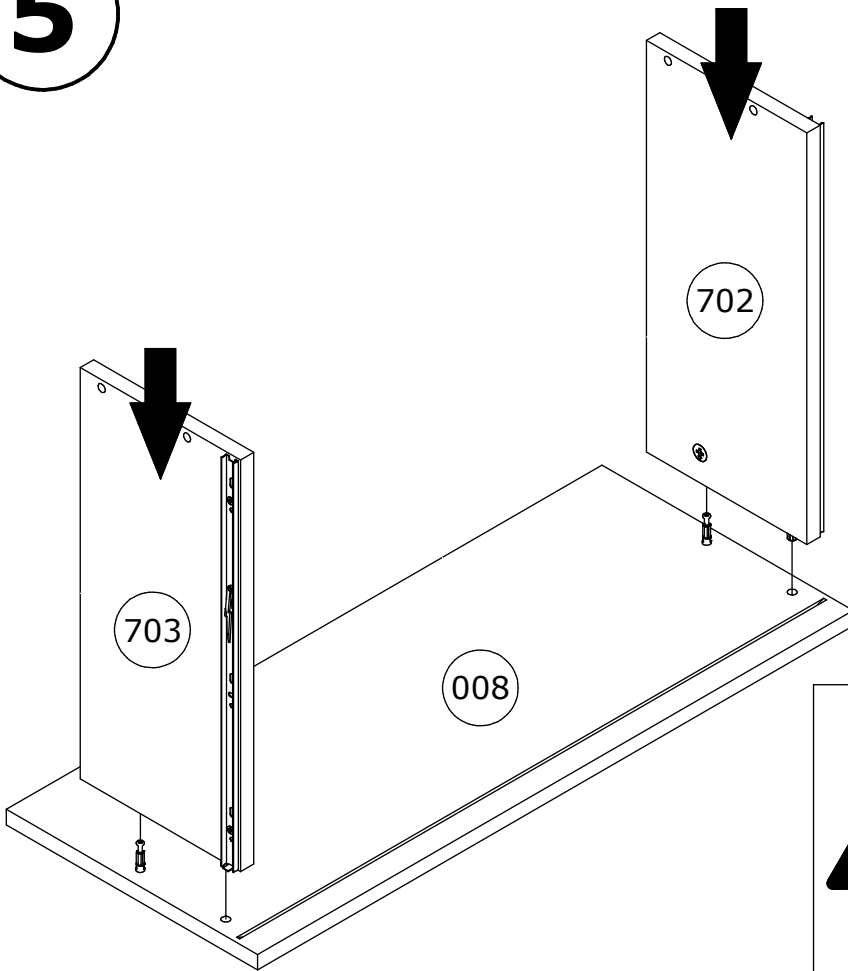
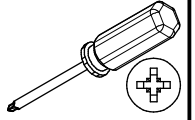
B1 x4



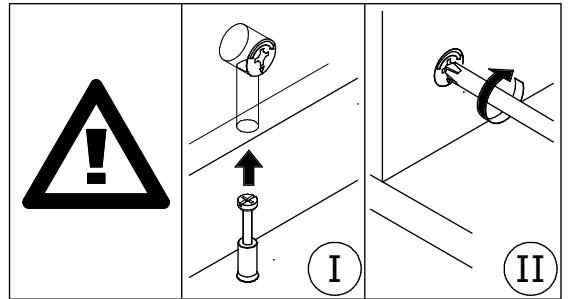
Ø5x38mm



5



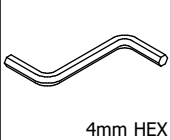
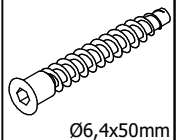
x2



6

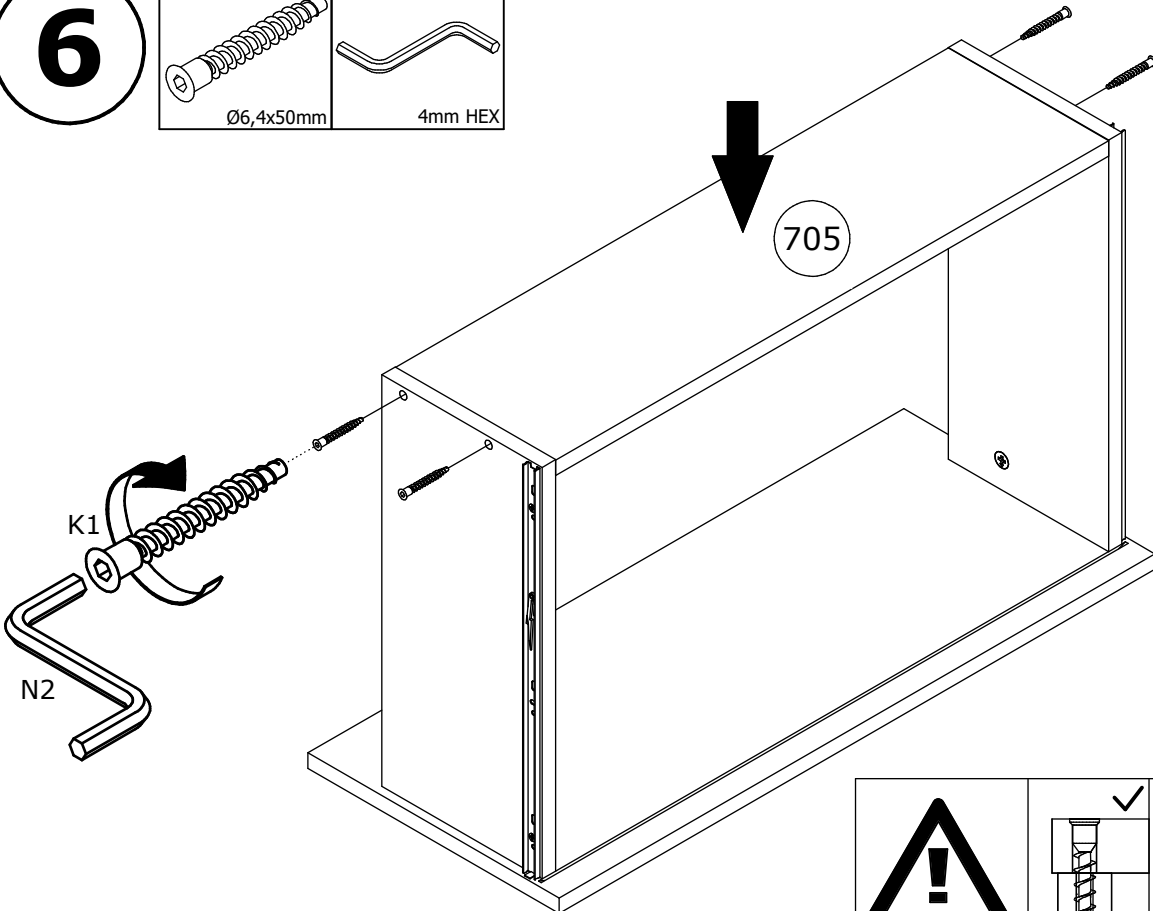
K1 x8

N2 x1

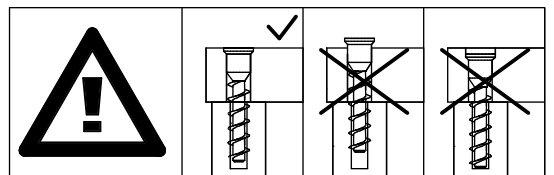


Ø6,4x50mm

4mm HEX

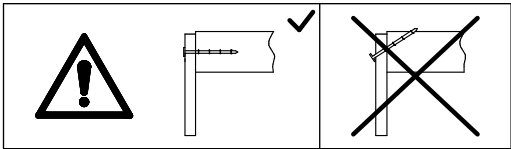
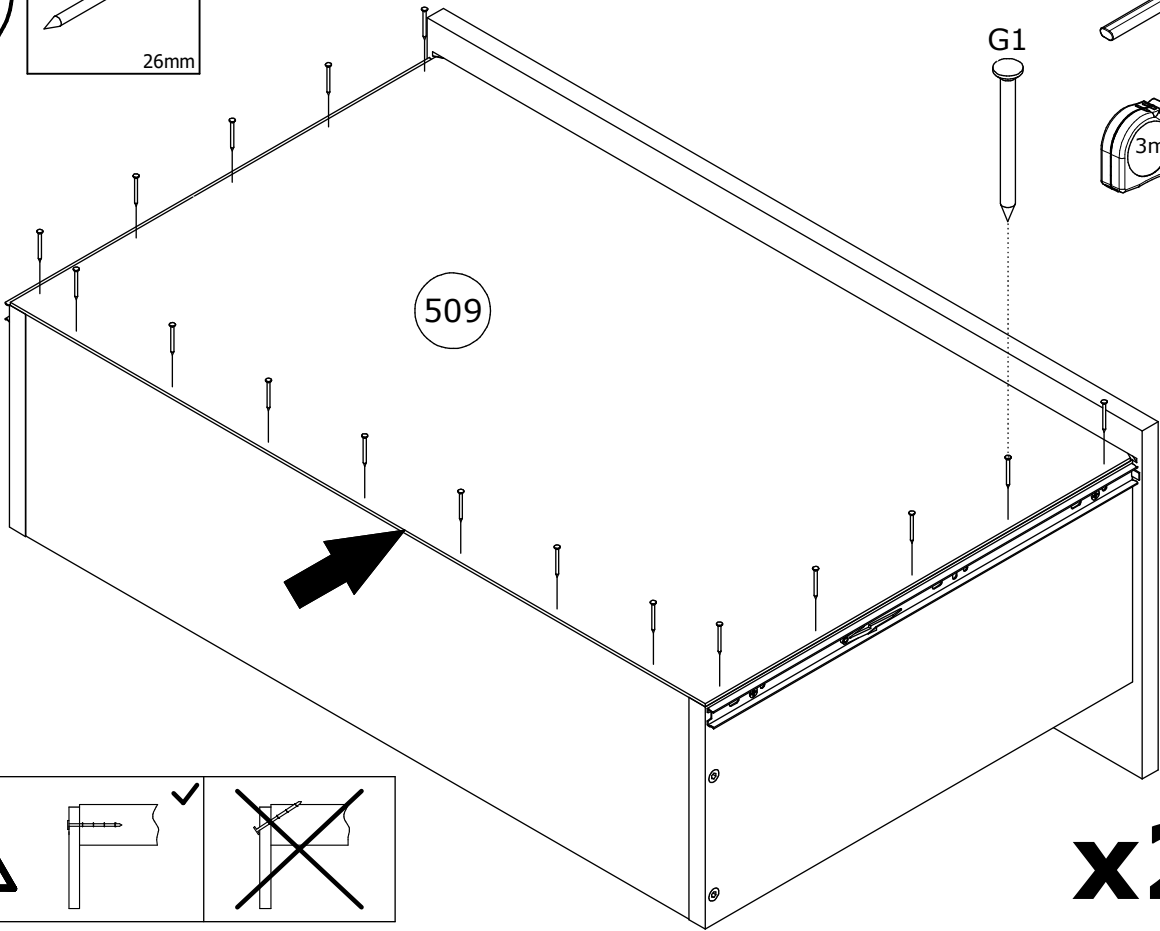


x2



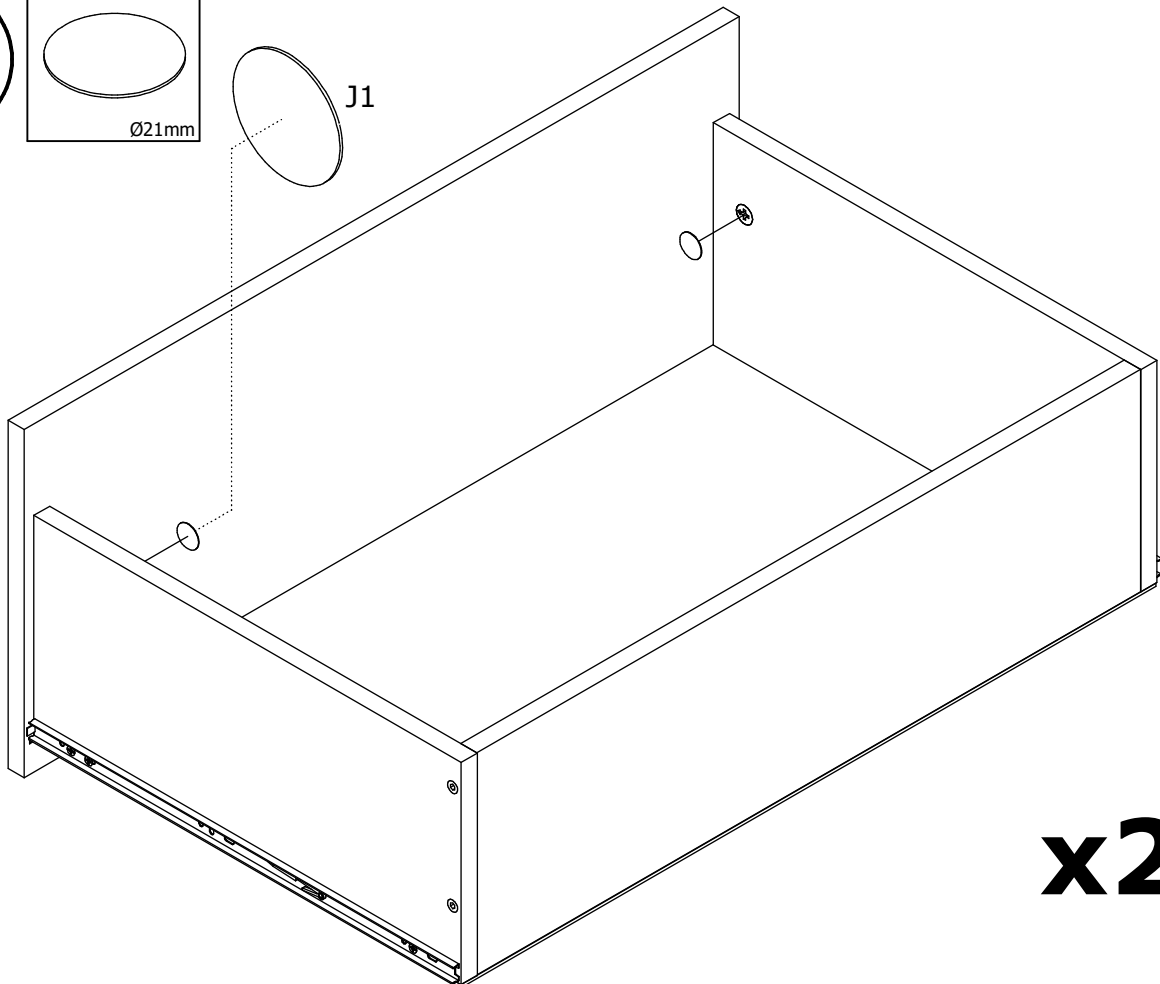
7

G1 x 34
26mm

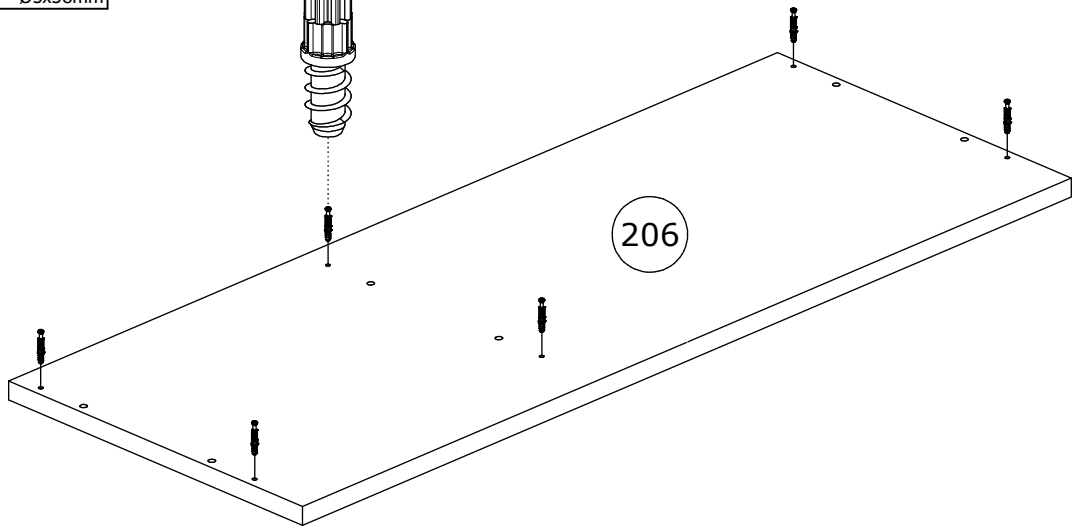
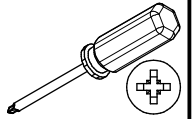
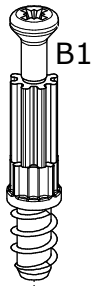
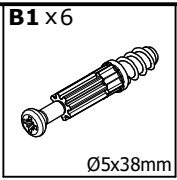


8

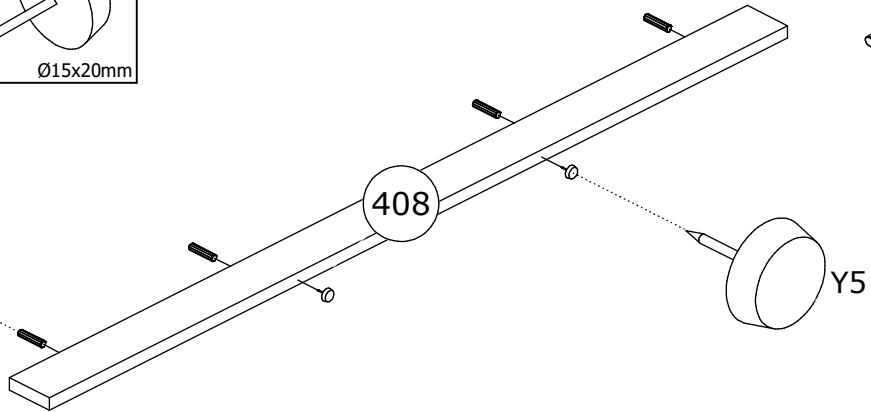
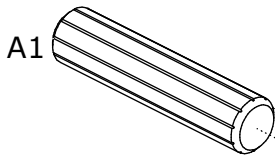
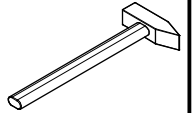
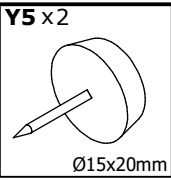
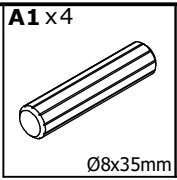
J1 x 4
Ø21mm



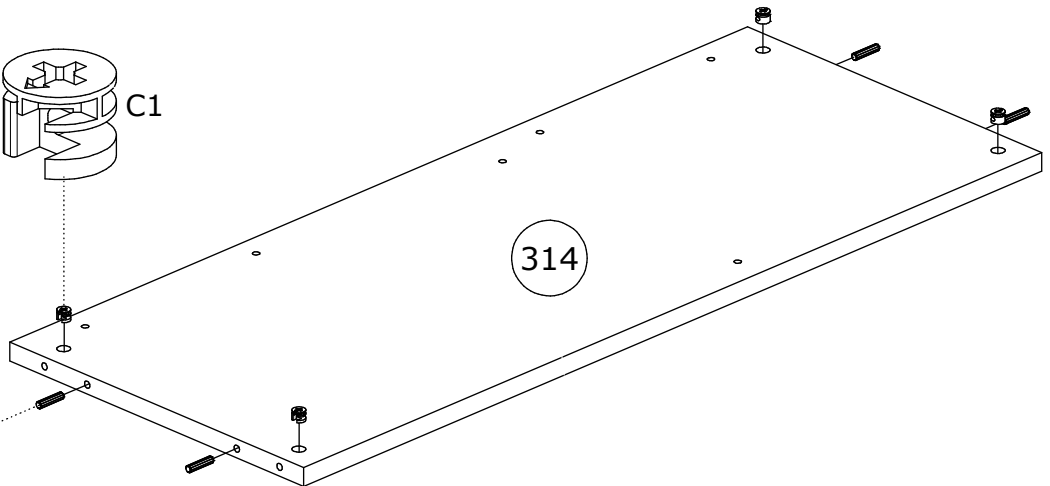
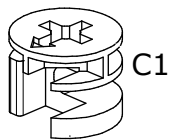
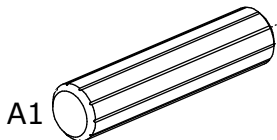
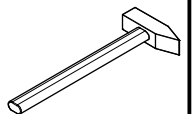
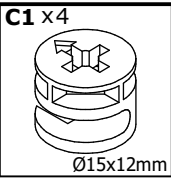
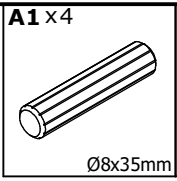
9



10

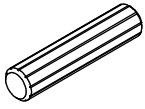


11



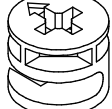
12

A1 x6



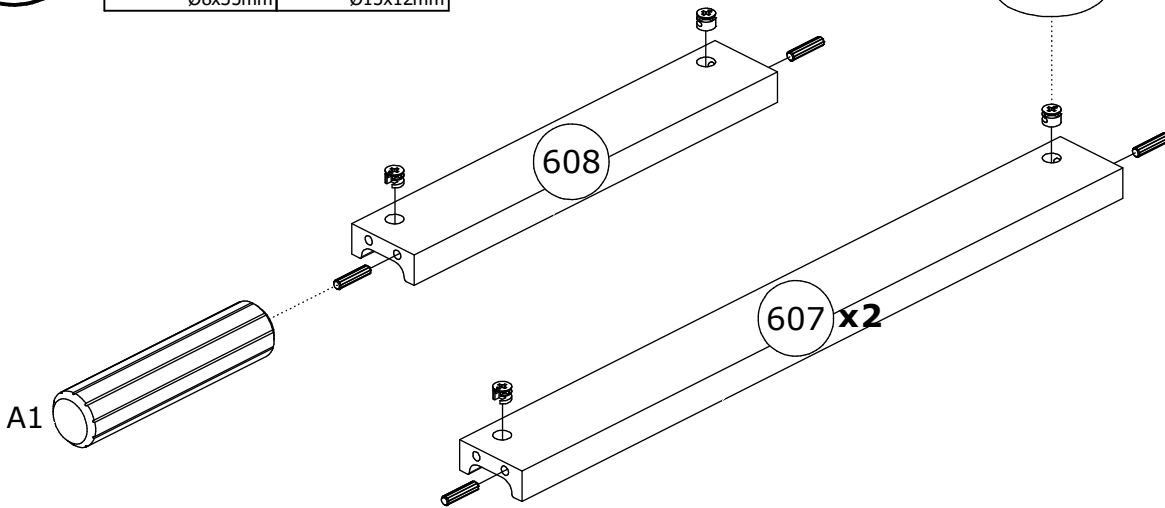
Ø8x35mm

C1 x6



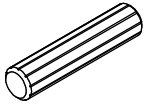
Ø15x12mm

C1



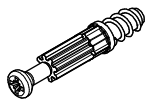
13

A1 x2



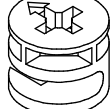
Ø8x35mm

B1 x4



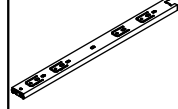
Ø5x38mm

C1 x2



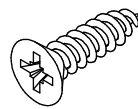
Ø15x12mm

P3-a x2



400mm

W2 x4

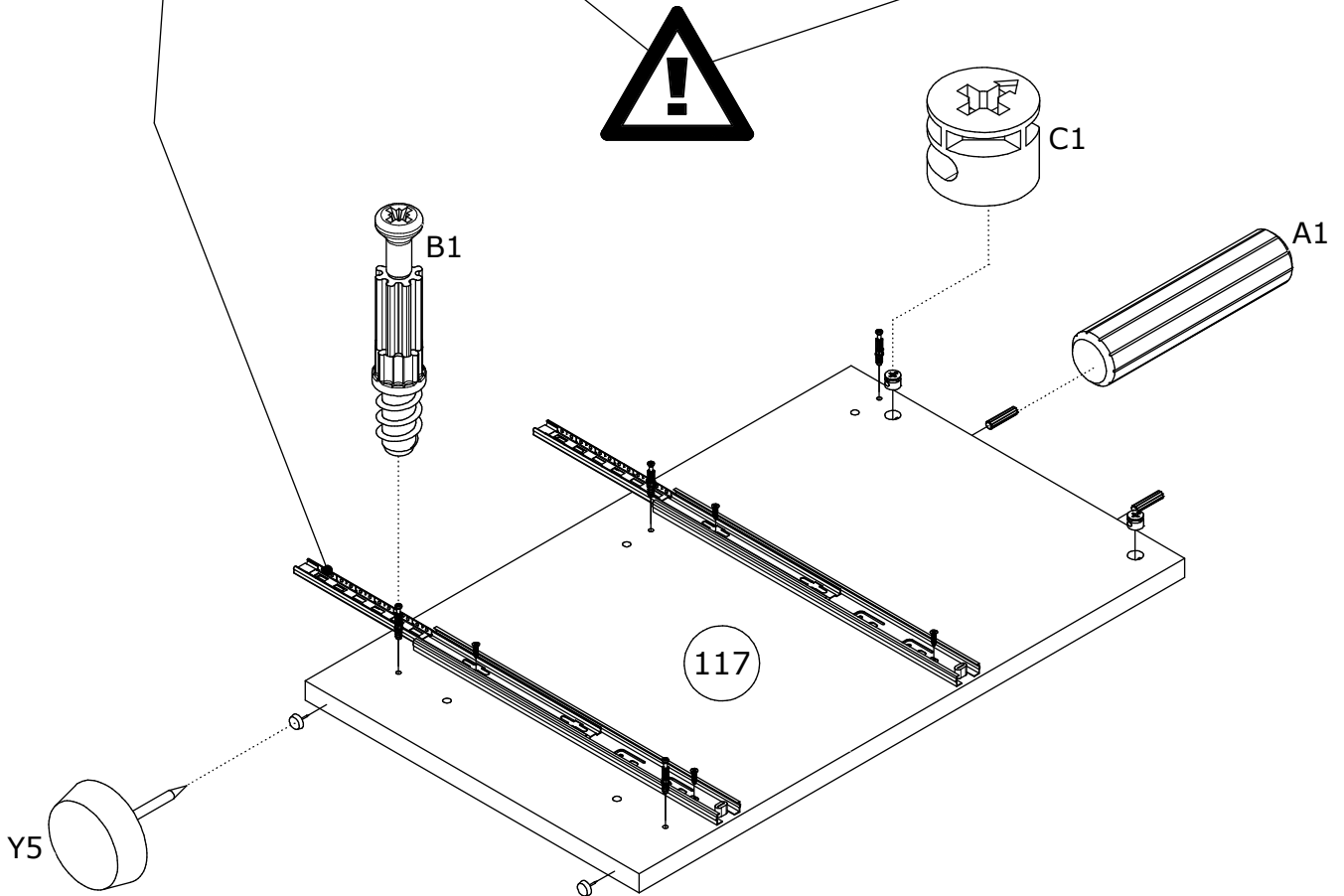
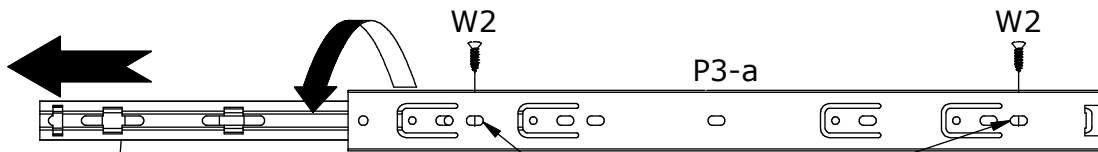


Ø3,5x16mm

Y5 x2

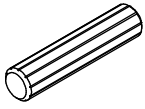


Ø15x20mm



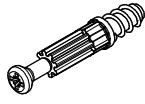
14

A1 x 2



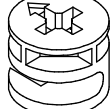
Ø8x35mm

B1 x 3



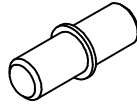
Ø5x38mm

C1 x 2



Ø15x12mm

E1 x 2



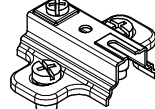
Ø5x16mm

Y5 x 2

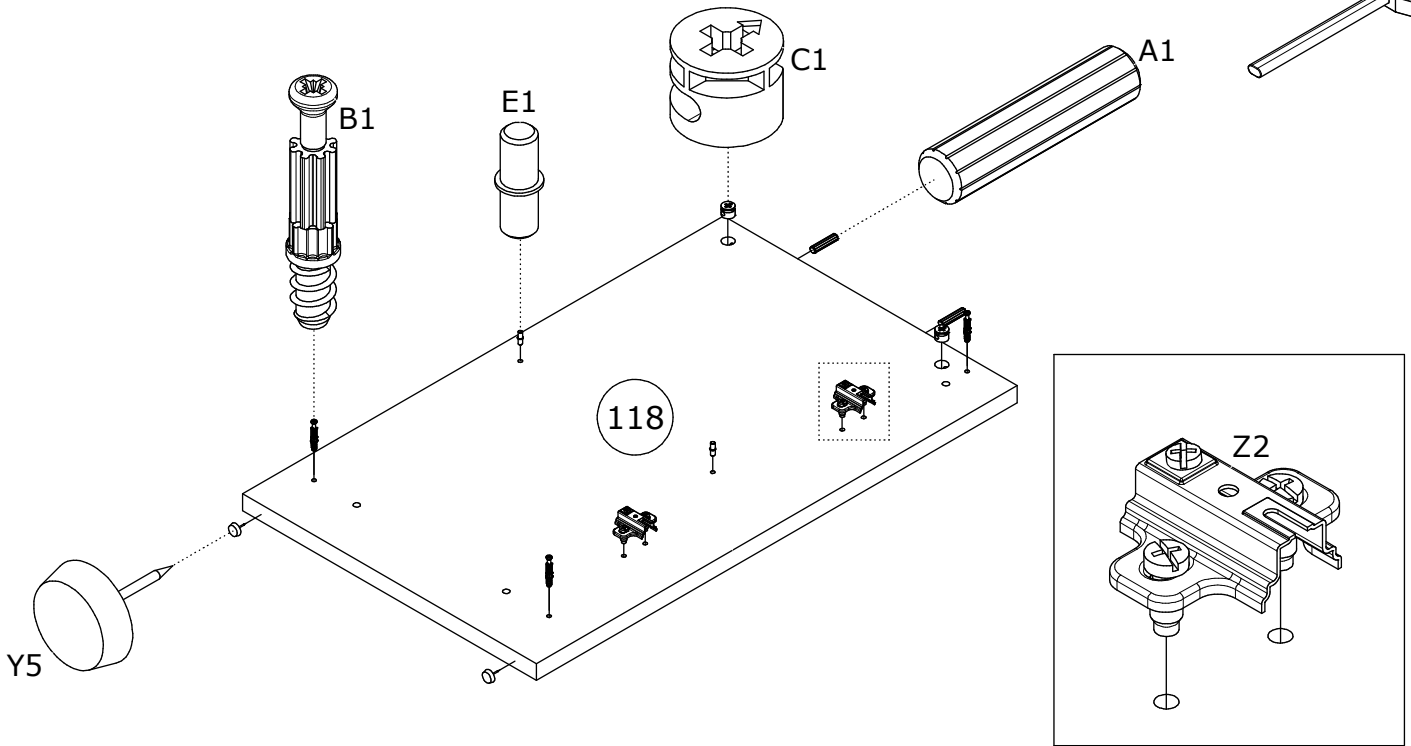
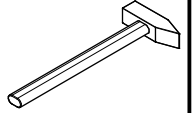
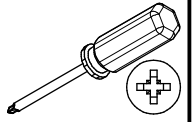


Ø15x20mm

Z2 x 2

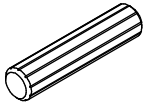


50x40, H=4



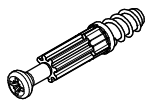
15

A1 x 2



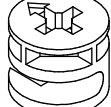
Ø8x35mm

B1 x 2



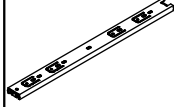
Ø5x38mm

C1 x 2



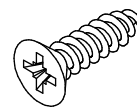
Ø15x12mm

P3-ax 2

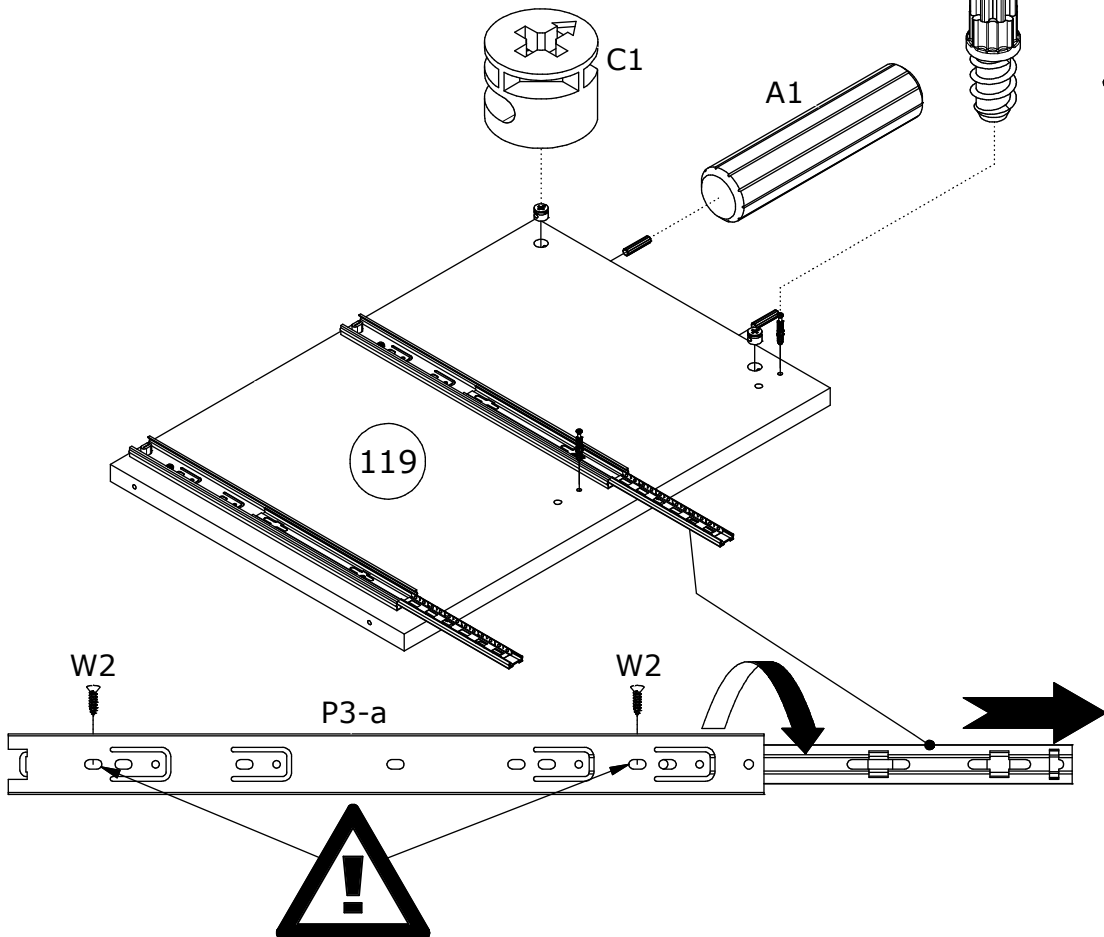
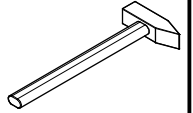
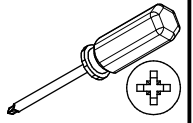
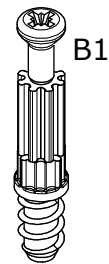


400mm

W2 x 4

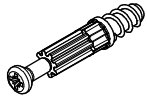


Ø3,5x16mm



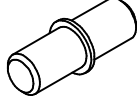
16

B1 x 1

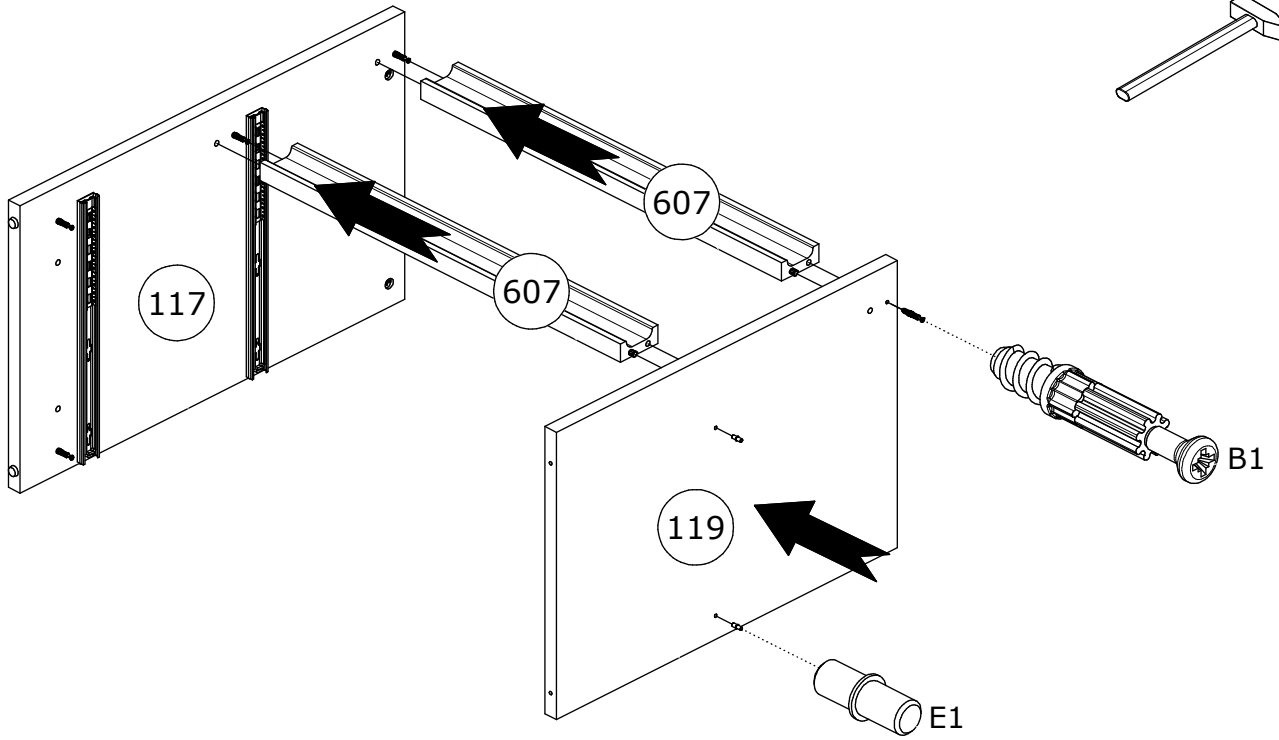


Ø5x38mm

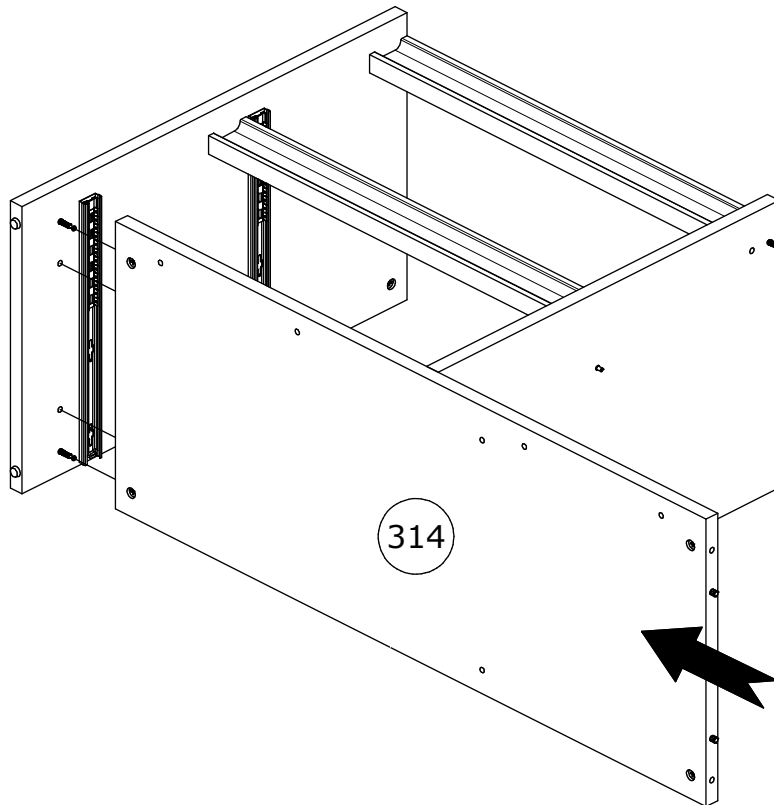
E1 x 2



Ø5x16mm

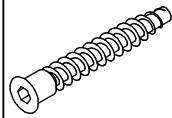


17



18

K1 x2

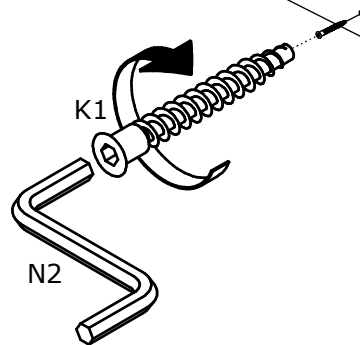
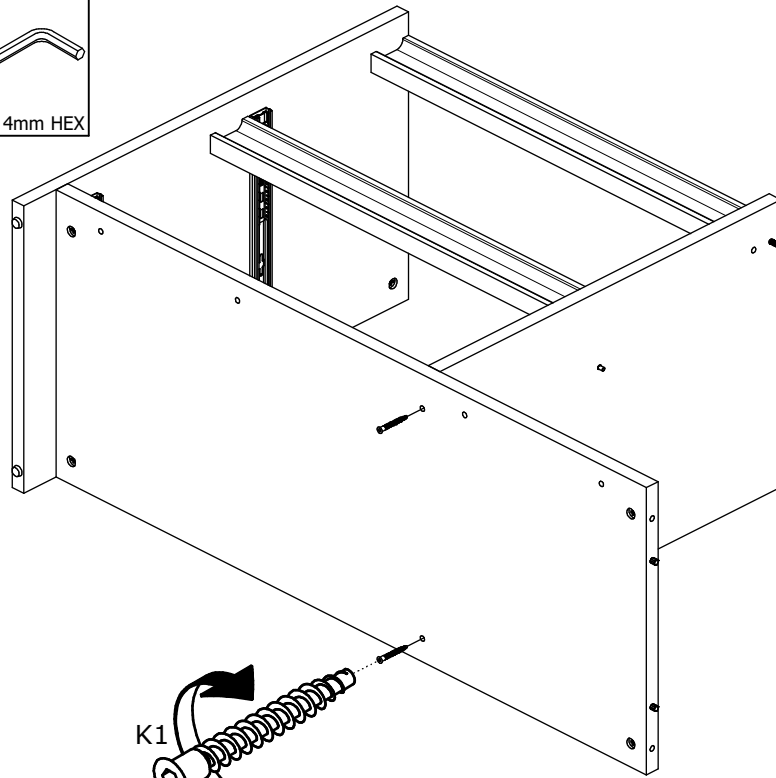


Ø6,4x50mm

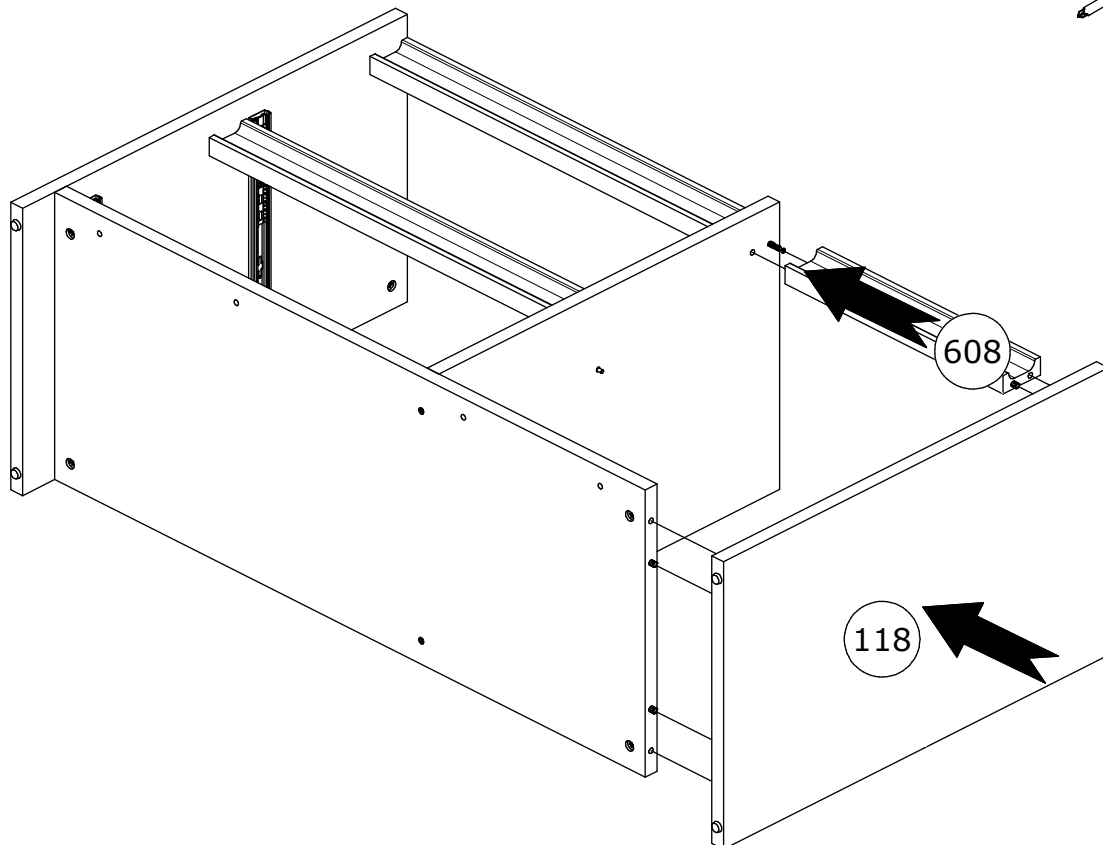
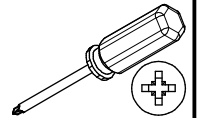
N2 x1



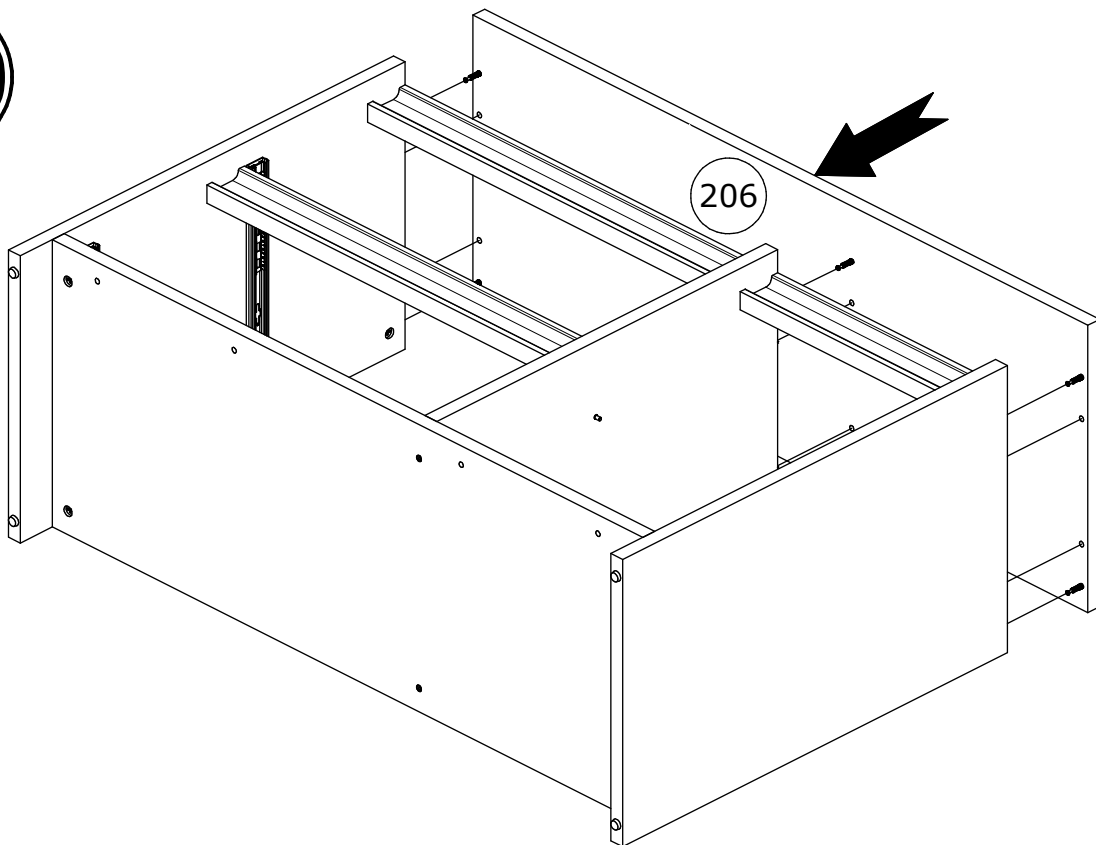
4mm HEX



19



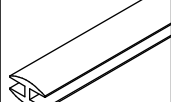
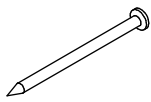
20



21

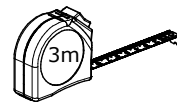
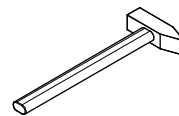
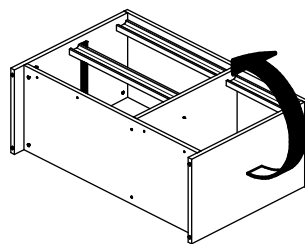
G1x28

Hx1

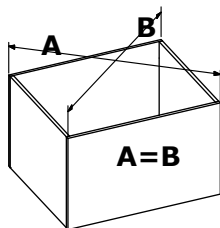


26mm

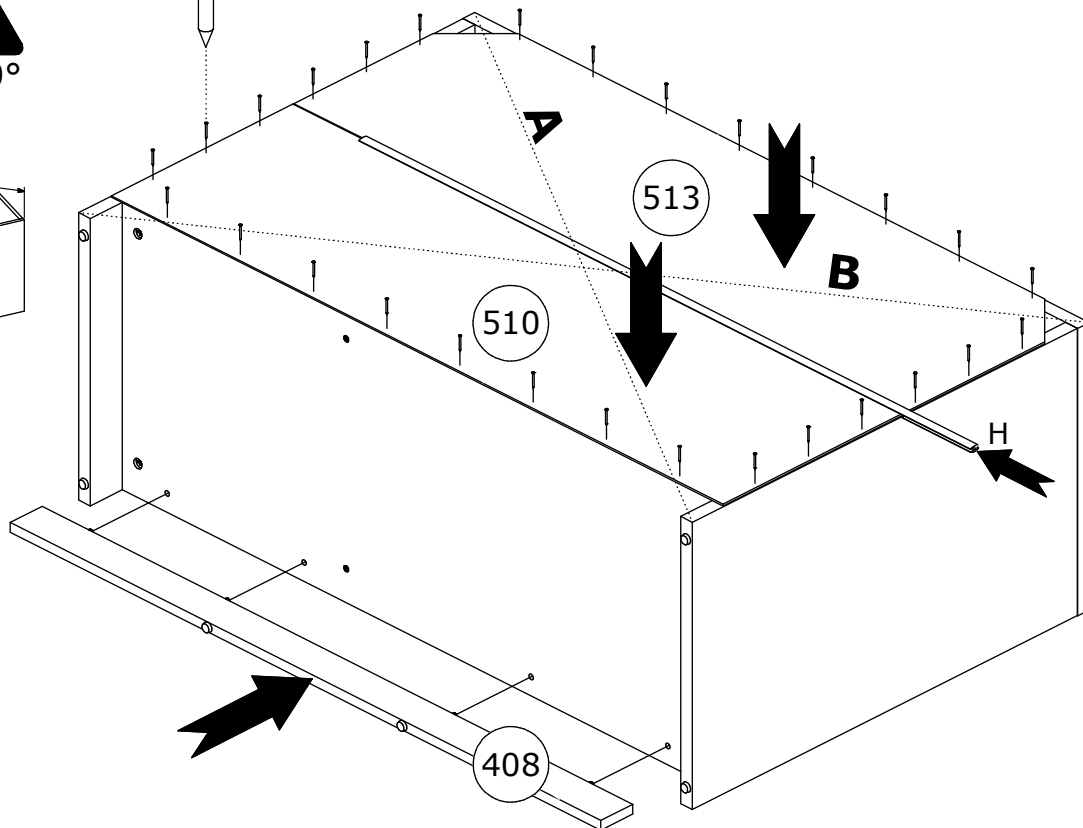
1145mm



$A=B \equiv 90^\circ$

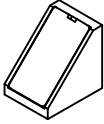


G1



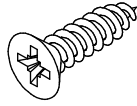
22

R1 x3

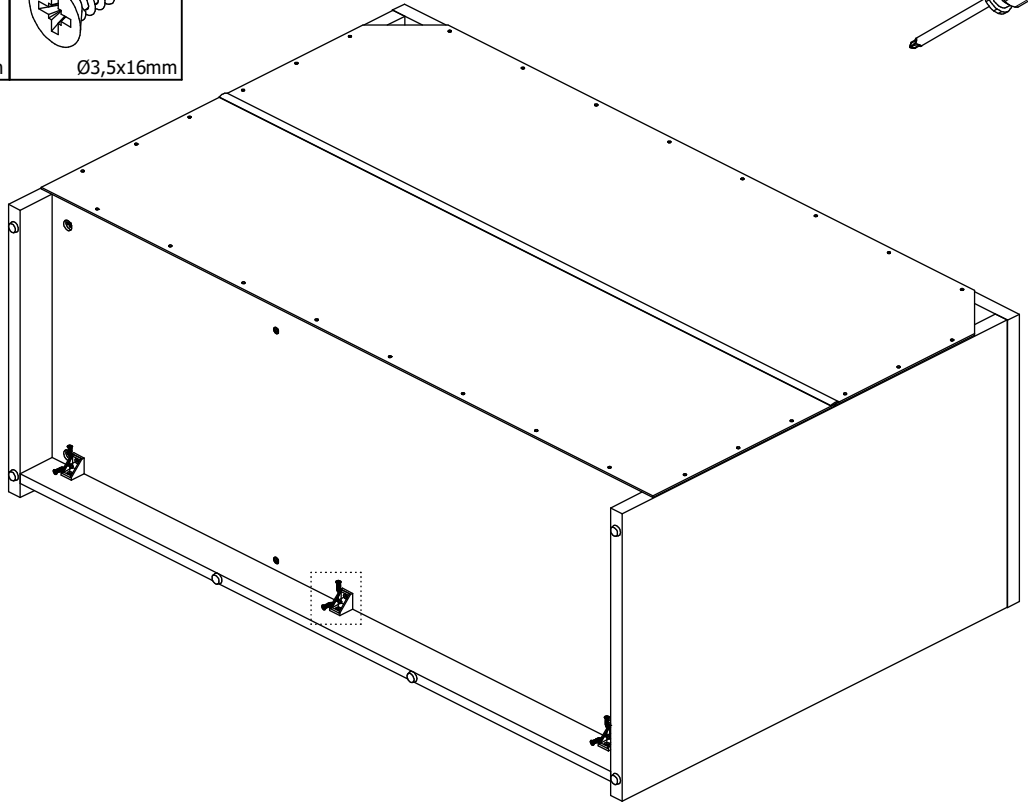
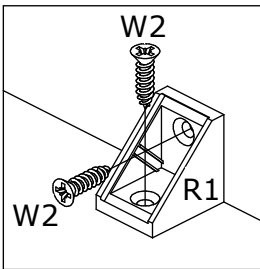
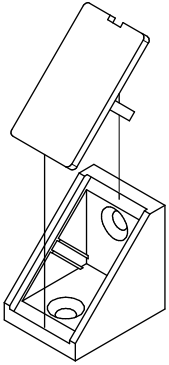
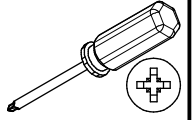


24x24x19mm

W2 x6

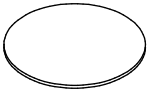


Ø3,5x16mm



23

J1 x6



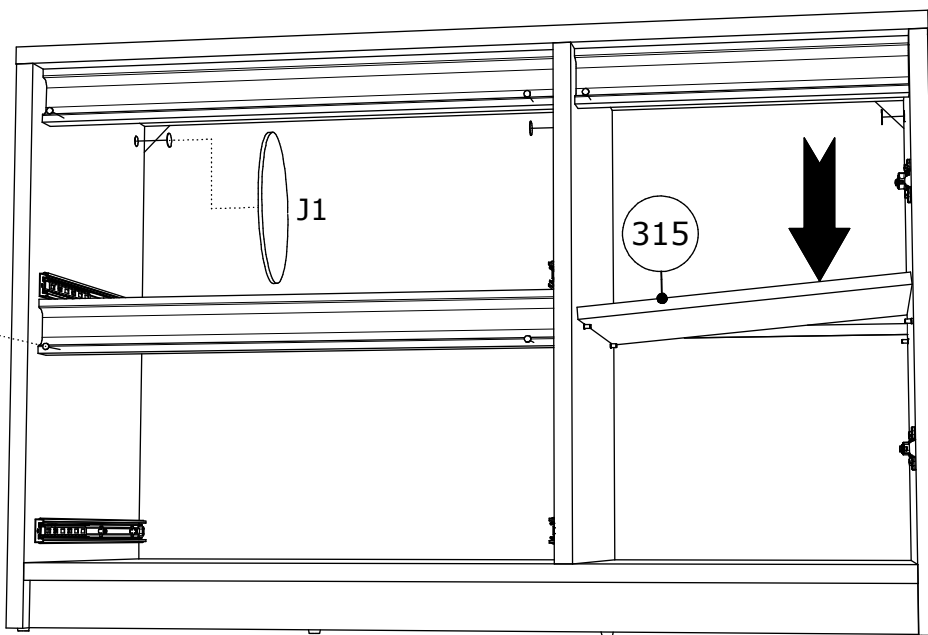
Ø21mm

Y1 x5



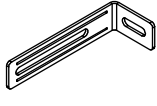
Ø8x1,5mm

Y1



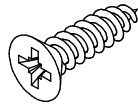
24

T4 x2

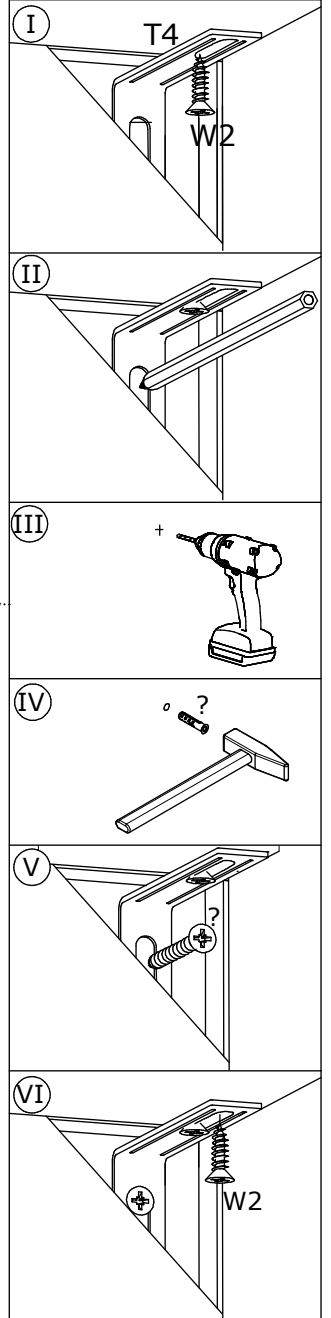
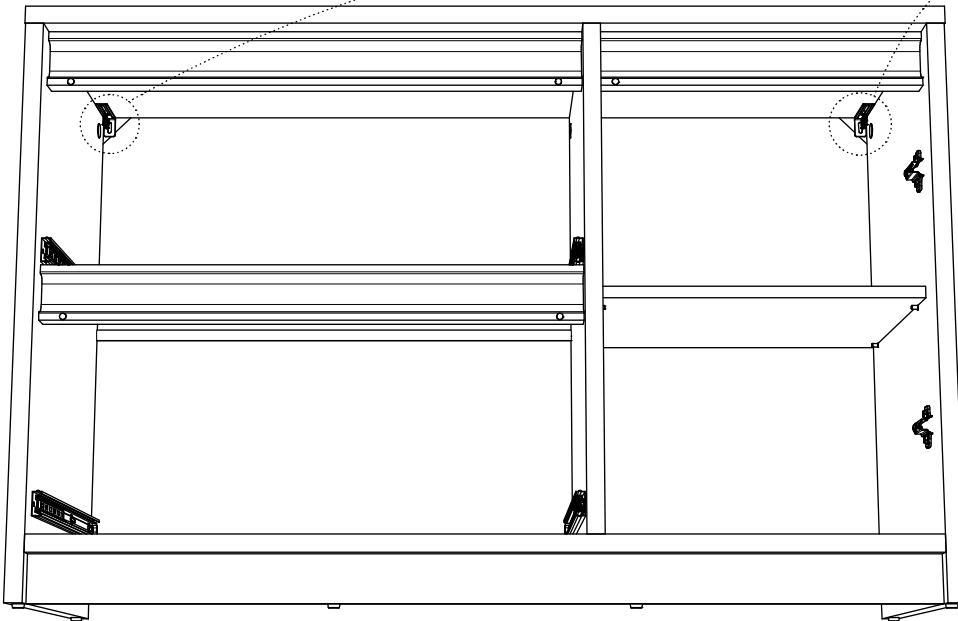
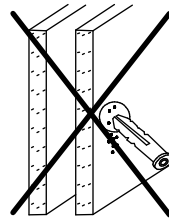
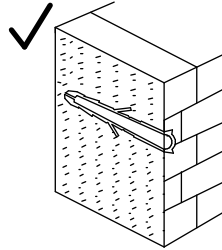
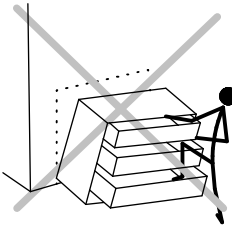
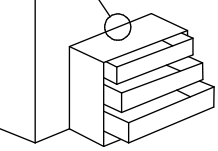
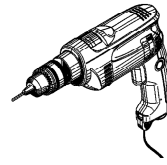
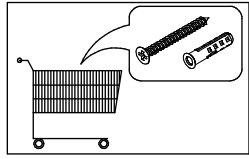
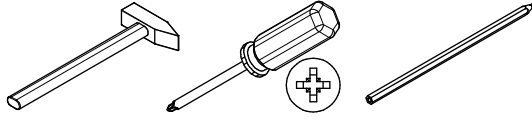


75x28x16 mm

W2 x4

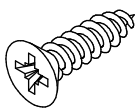


Ø3,5x16mm



25

W2 x4

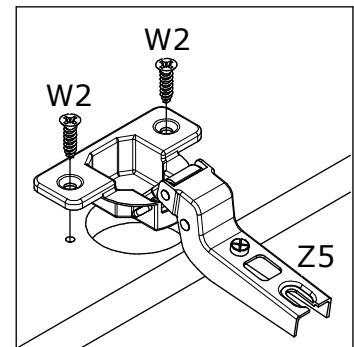
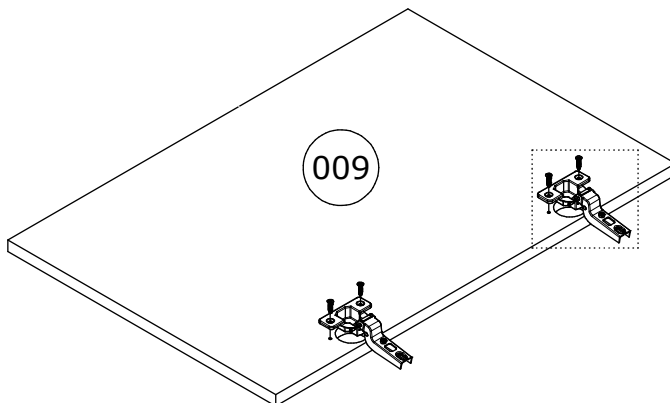
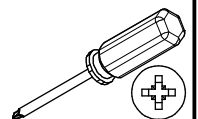


Ø3,5x16mm

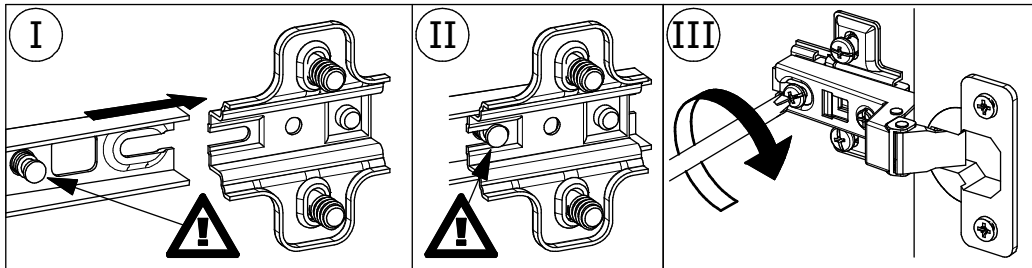
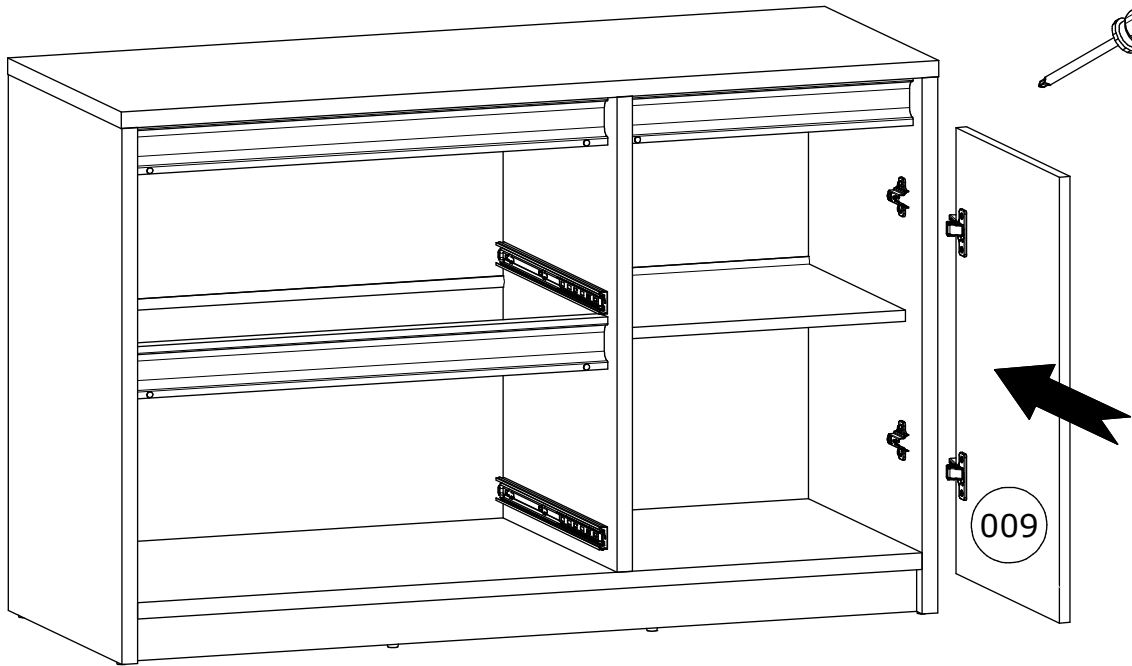
Z5 x2



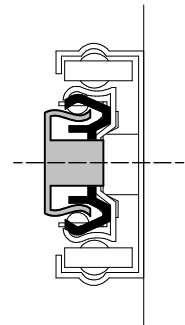
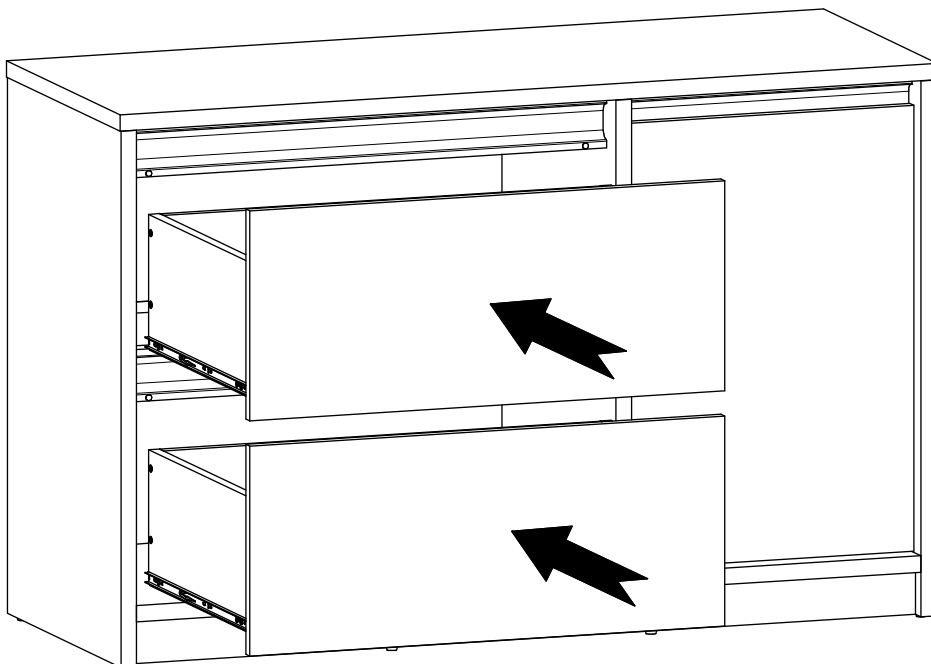
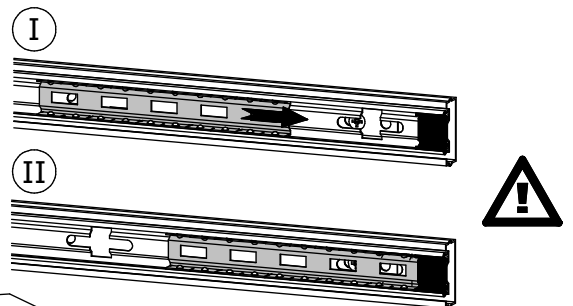
Ø35mm, ZK17



26

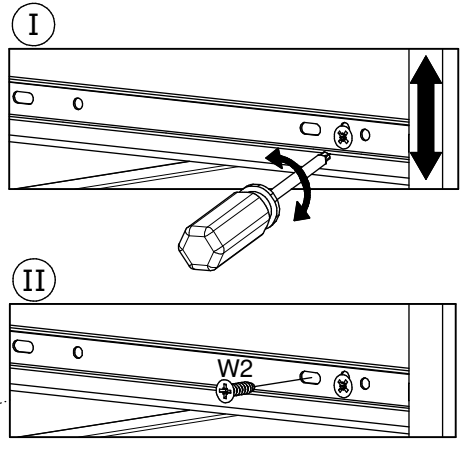
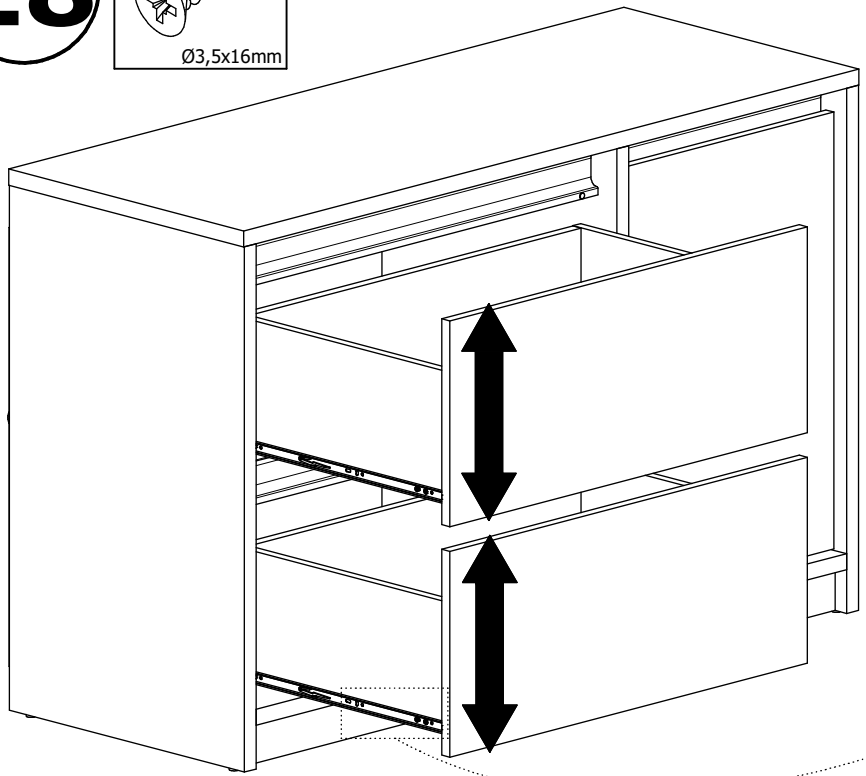
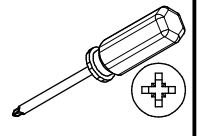


27



28

W2x4
Ø3,5x16mm



29

