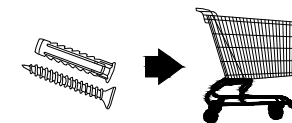
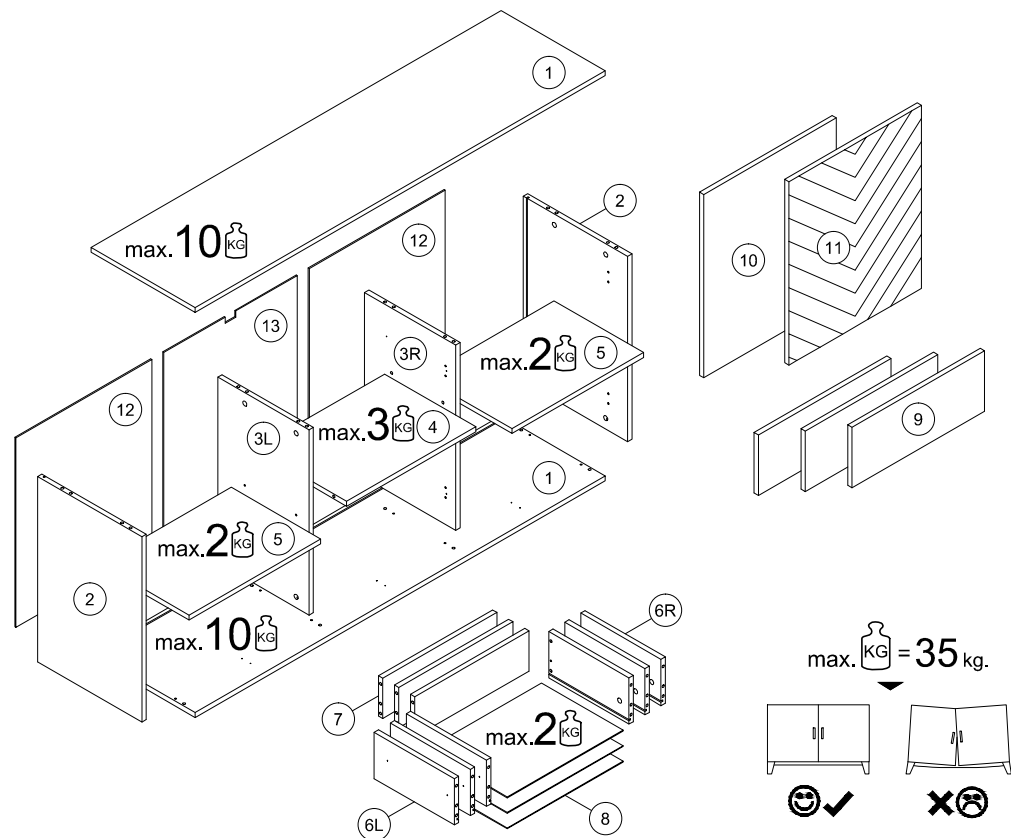
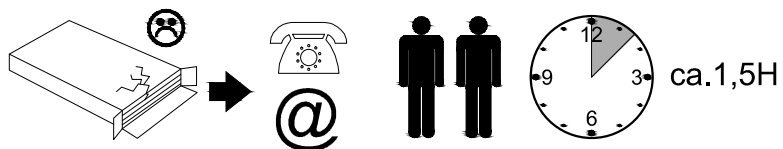
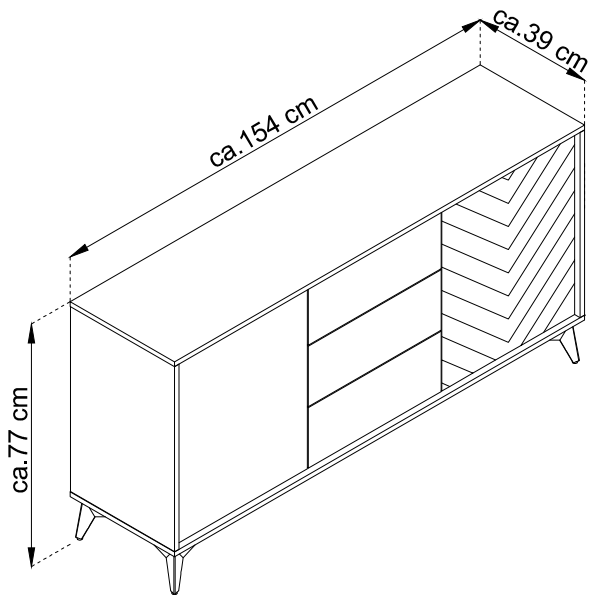
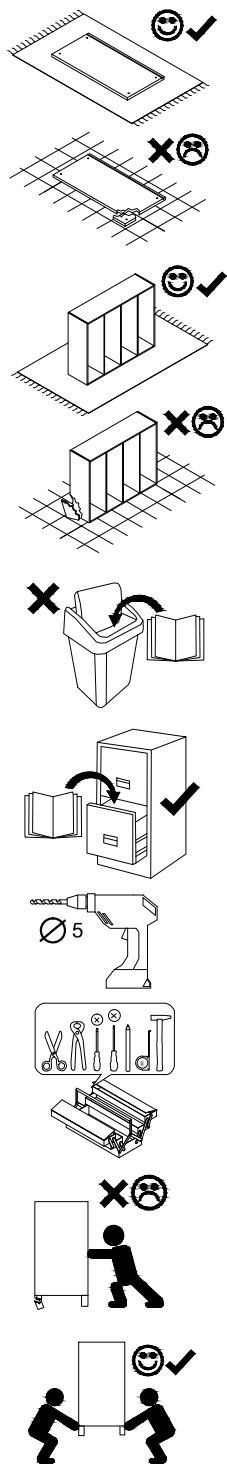
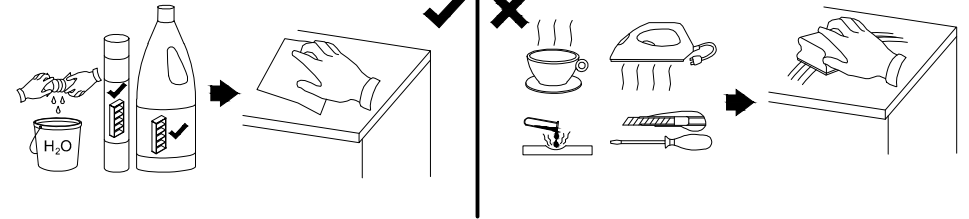
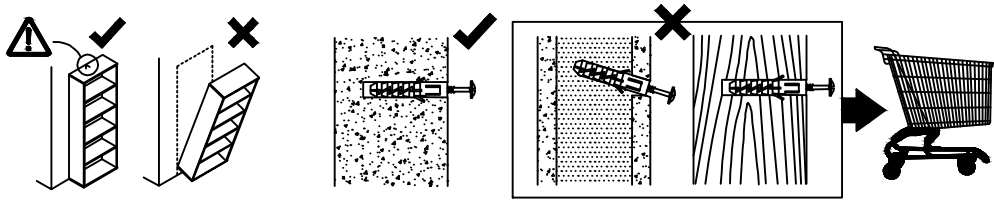
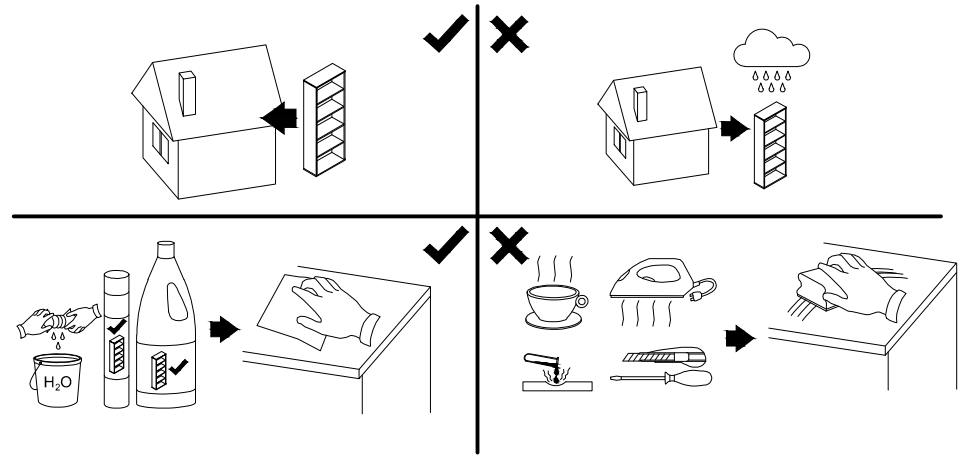
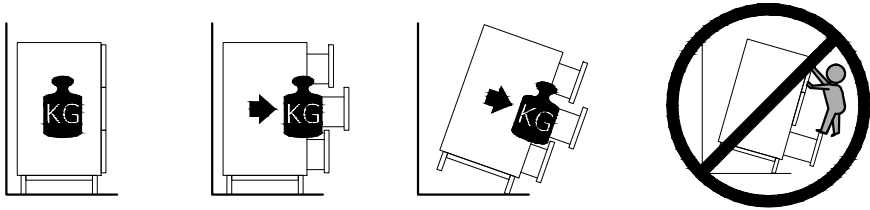


KSZ 154

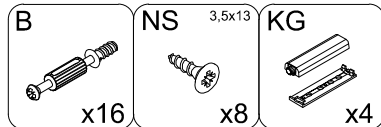
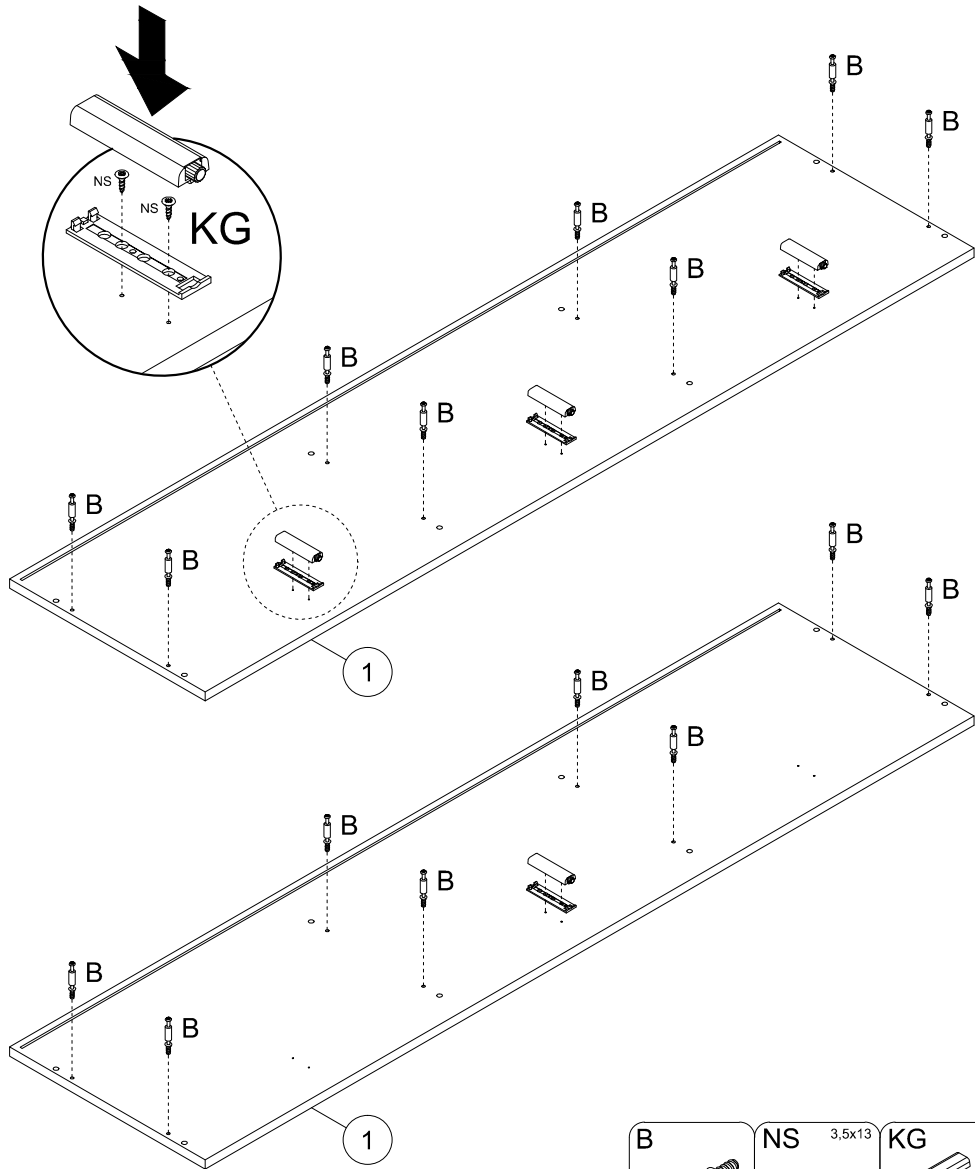
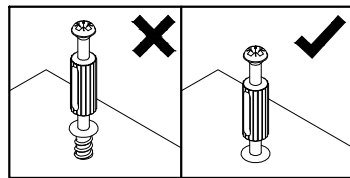
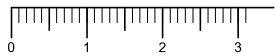
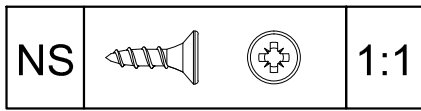


A	8x32	B	x44	C	x28	KG	x5	N	3x20	x19
ND	3,5x16	NS	3,5x13	NF	4,5x16	PPW	300mm	TA	x6	x1
W+H2	x4	X	x16	Z	x22	ZC	x10	ZZ	x8	

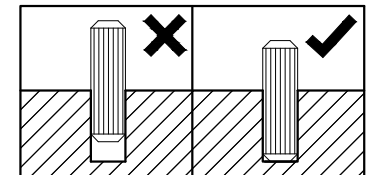
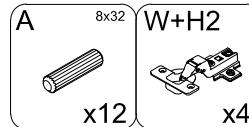
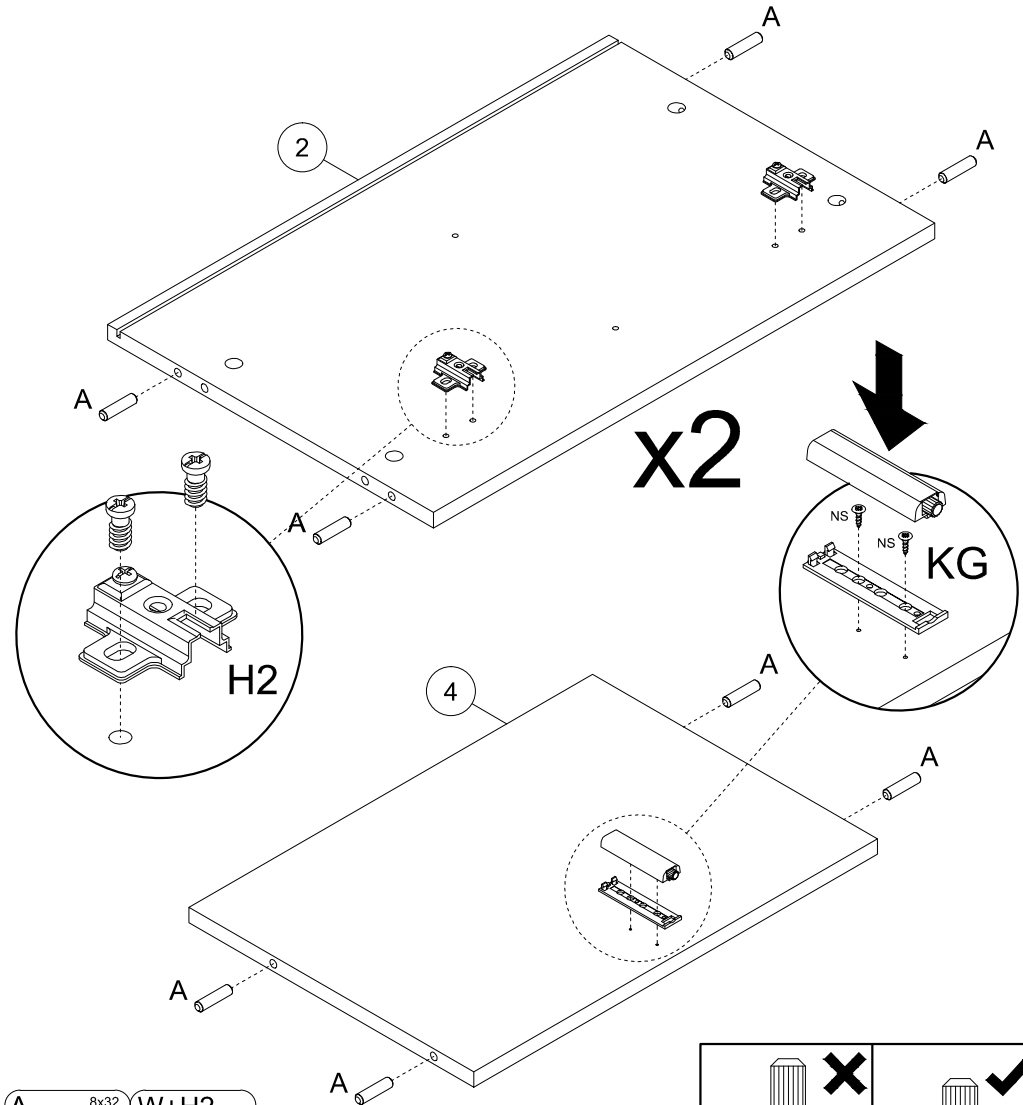
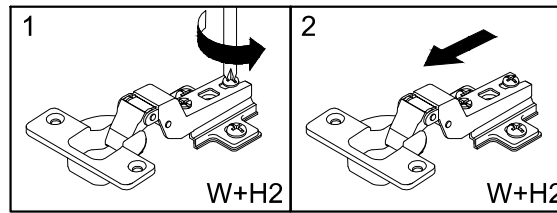
1	1534	390	16	x2	2 / 3
2	600	390	16	x2	2 / 3
3L	600	341	16	x1	2 / 3
3R	600	341	16	x1	2 / 3
4	483	341	16	x1	3 / 3
5	493	335	16	x2	2 / 3
6L	300	150	16	x3	3 / 3
6R	300	150	16	x3	3 / 3
7	427	130	16	x3	3 / 3
8	305	439	2.5	x3	3 / 3
9	496	196	16	x3	3 / 3
10	594	496	16	x1	3 / 3
11	594	496	16	x1	3 / 3
12	506	612	2.5	x2	3 / 3
13	498	612	2.5	x1	3 / 3



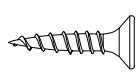

1

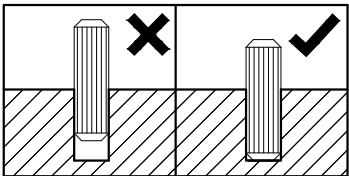
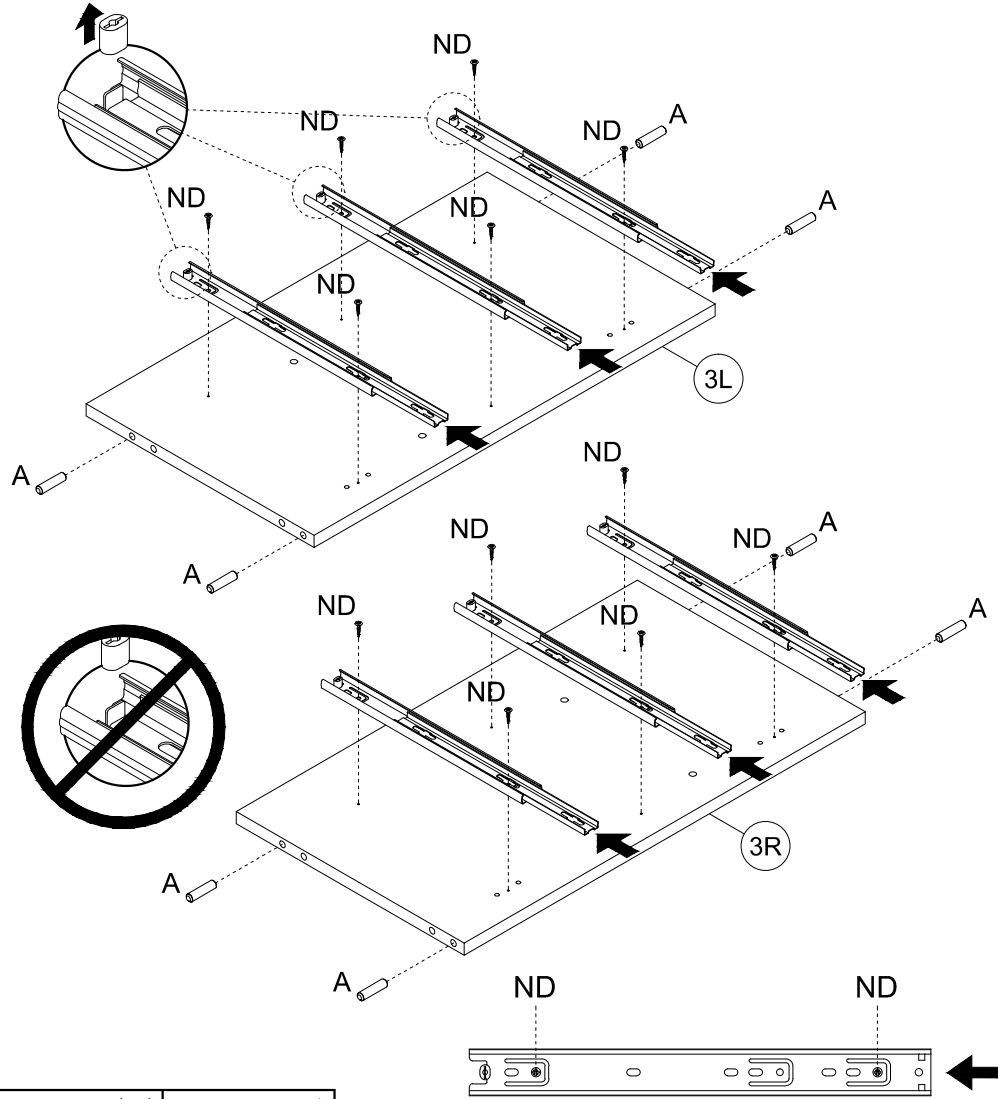
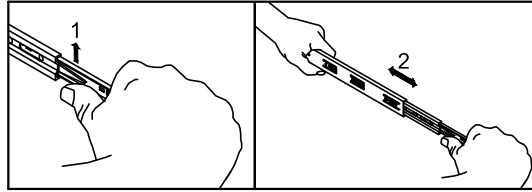
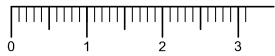



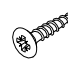

2



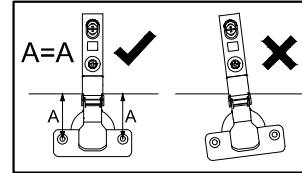
3

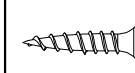

ND			1:1
----	--	--	-----

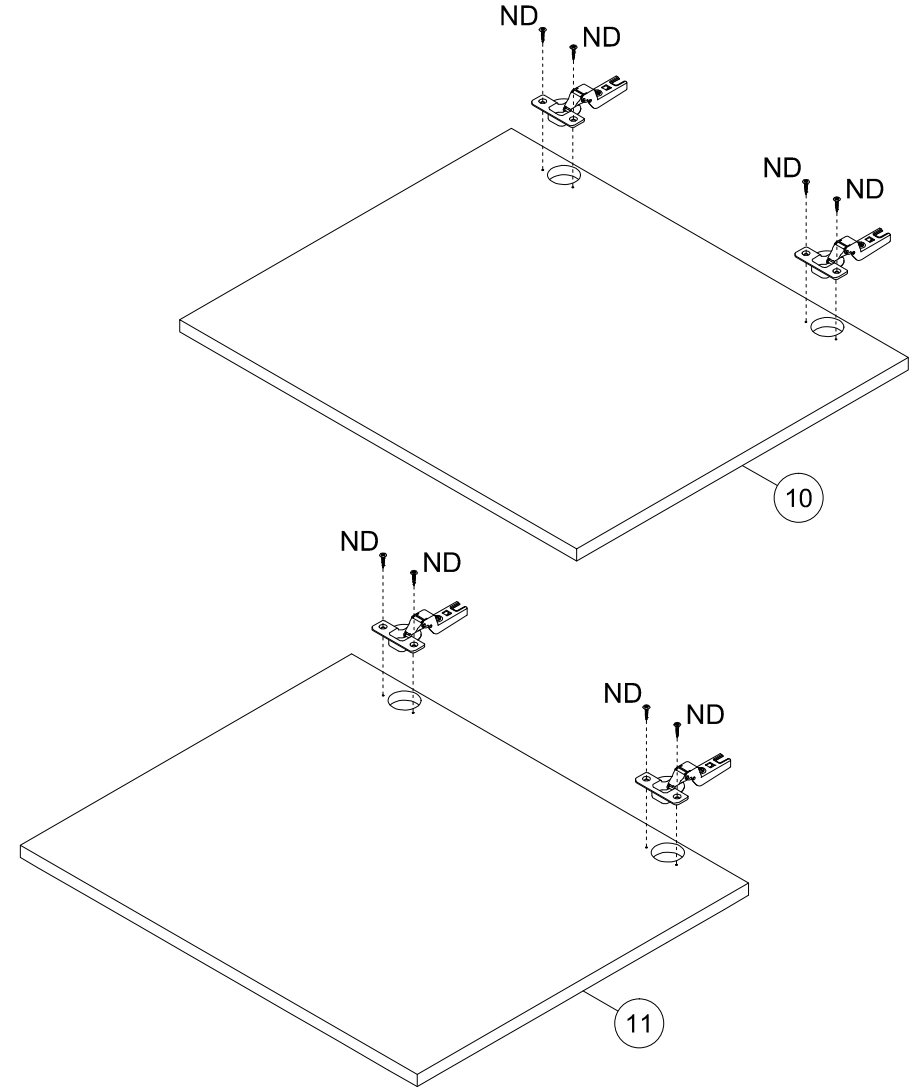
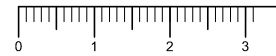


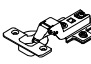
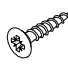
A	8x32	ND	3,5x16	PPW	300mm
	x8		x12		x6

4

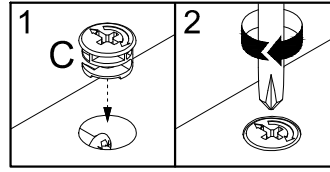
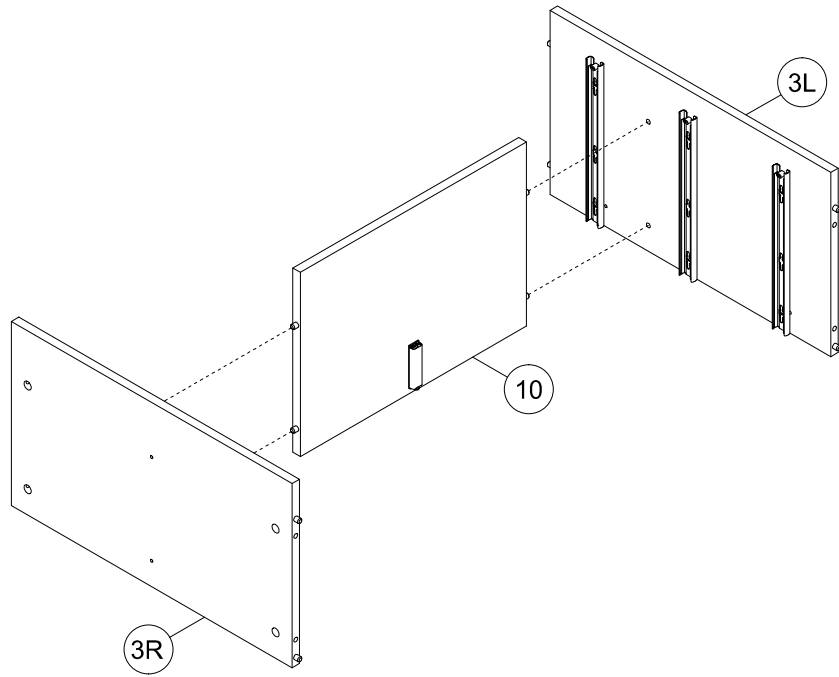


ND			1:1
----	--	--	-----

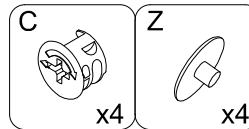
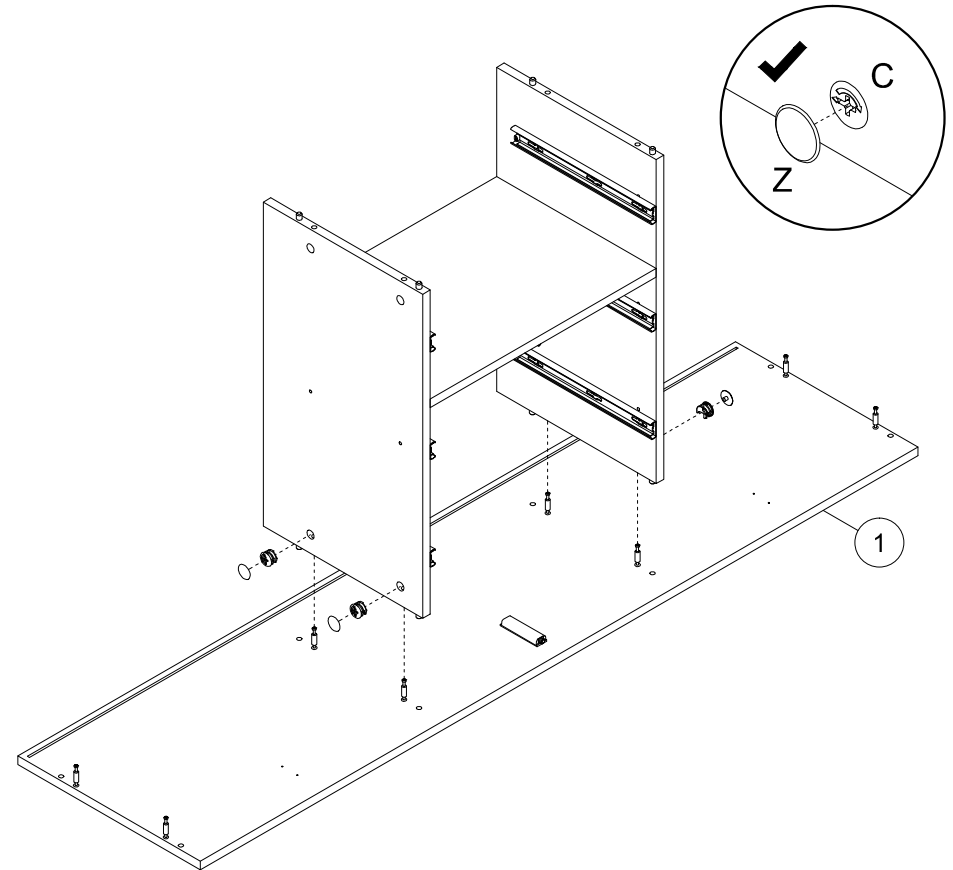


W+H2	ND	3,5x16
		x8
x4		

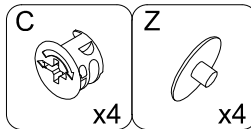
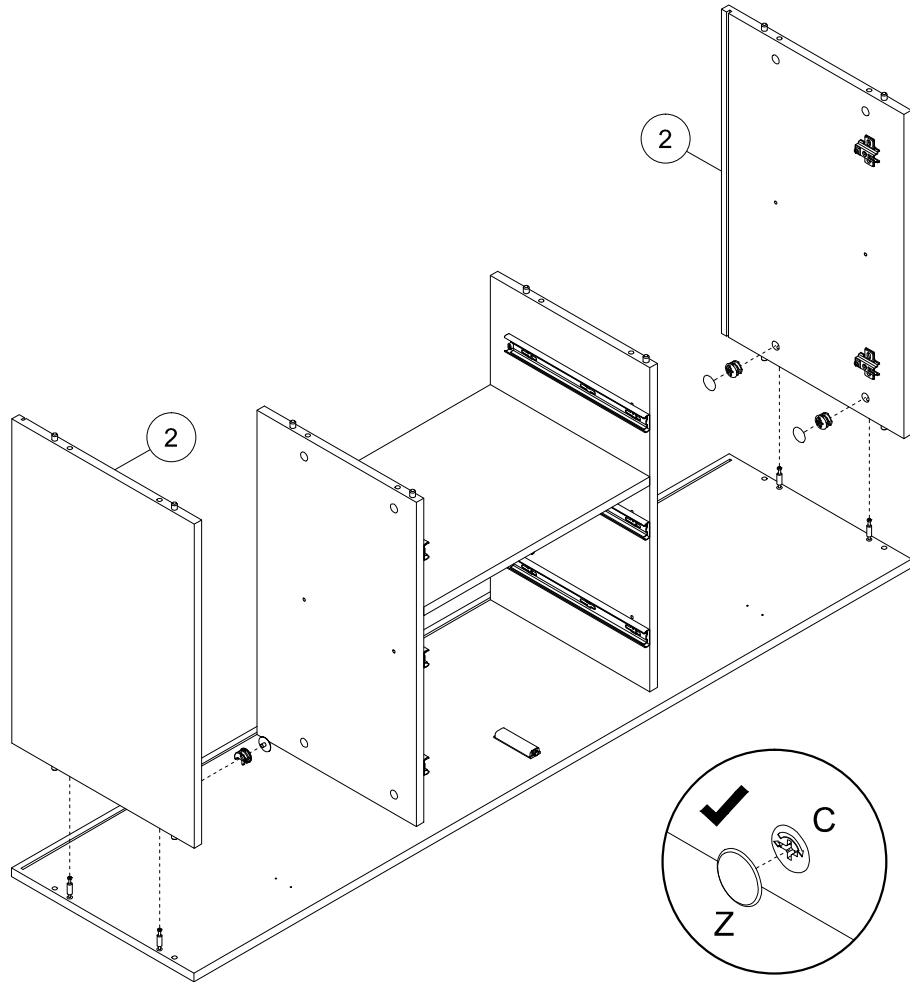
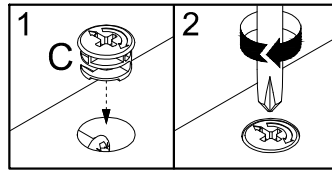
5



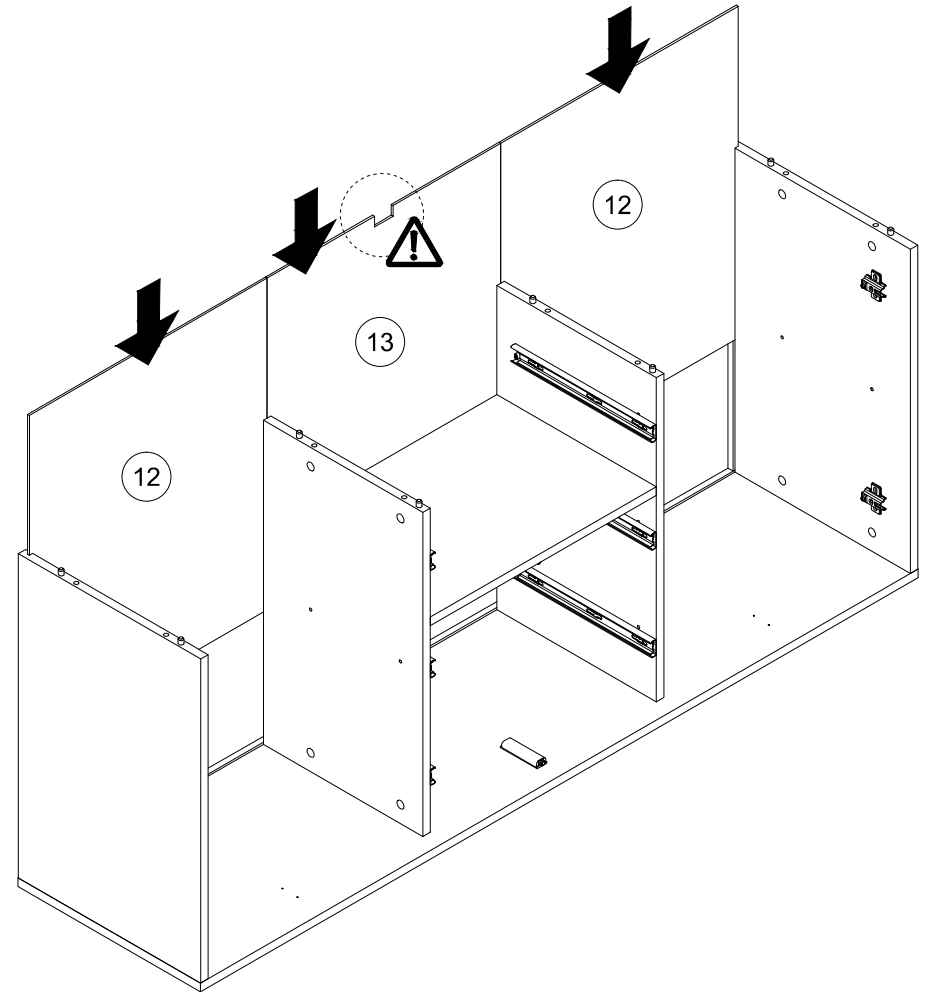
6



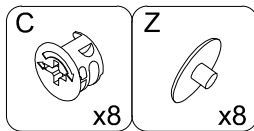
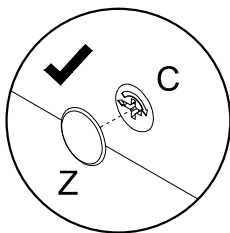
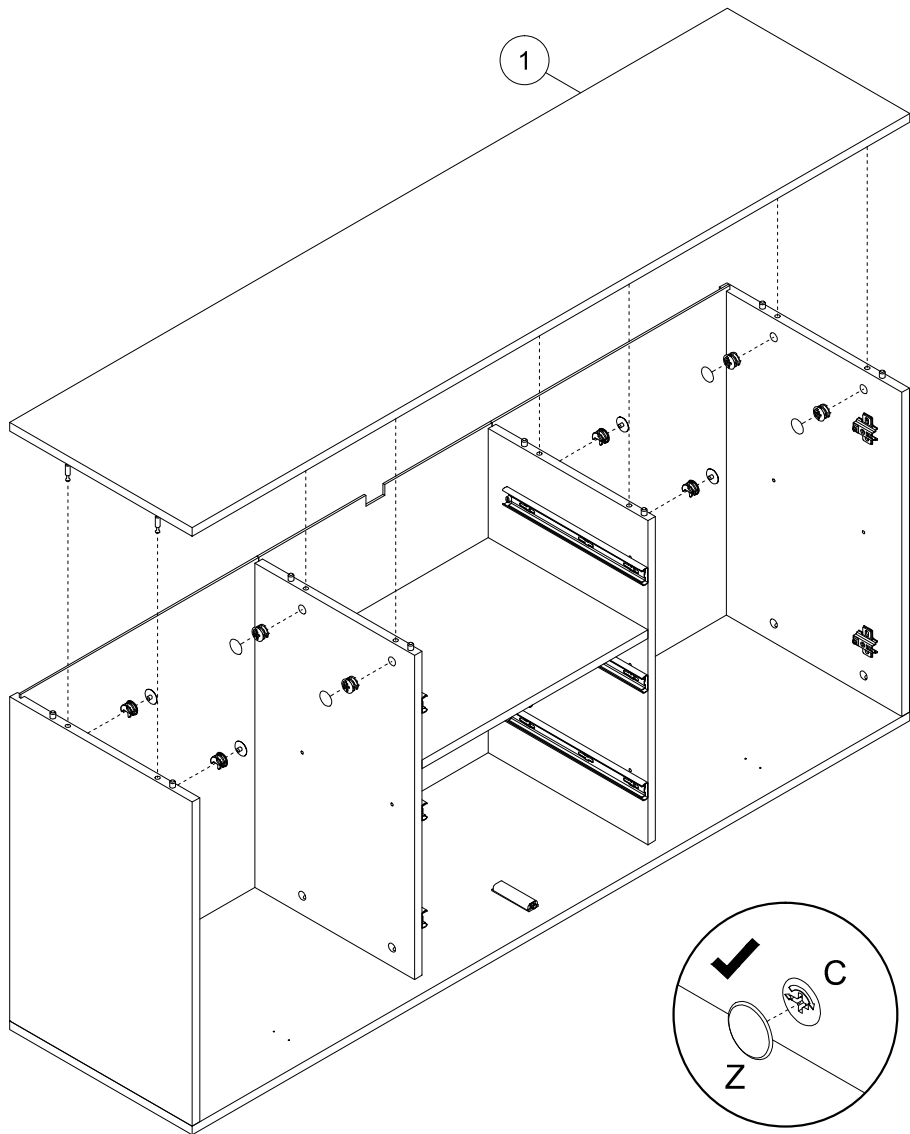
7



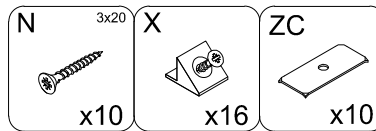
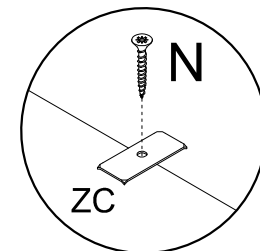
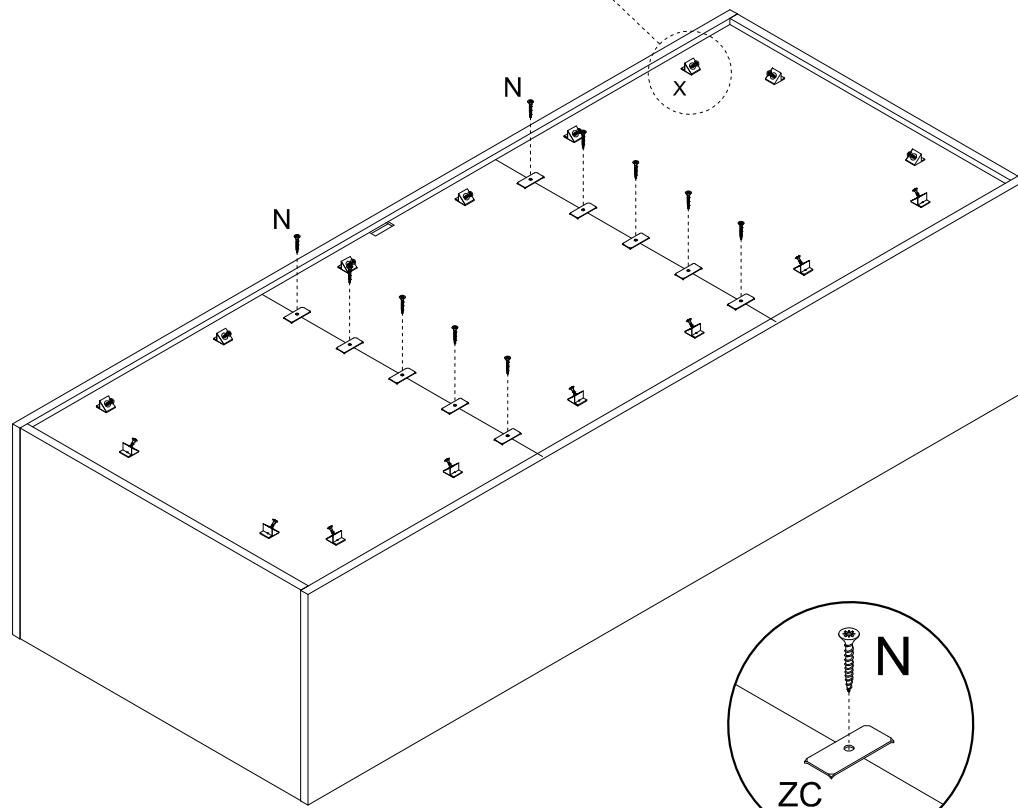
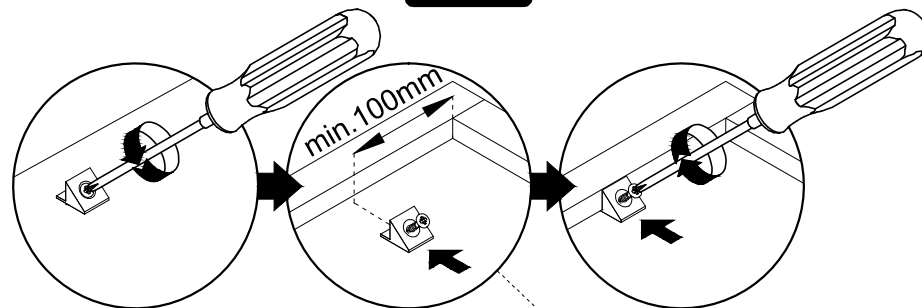
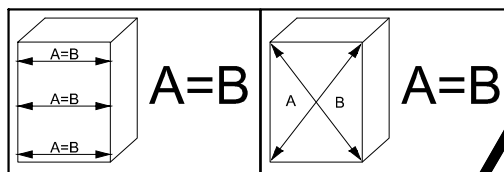
8



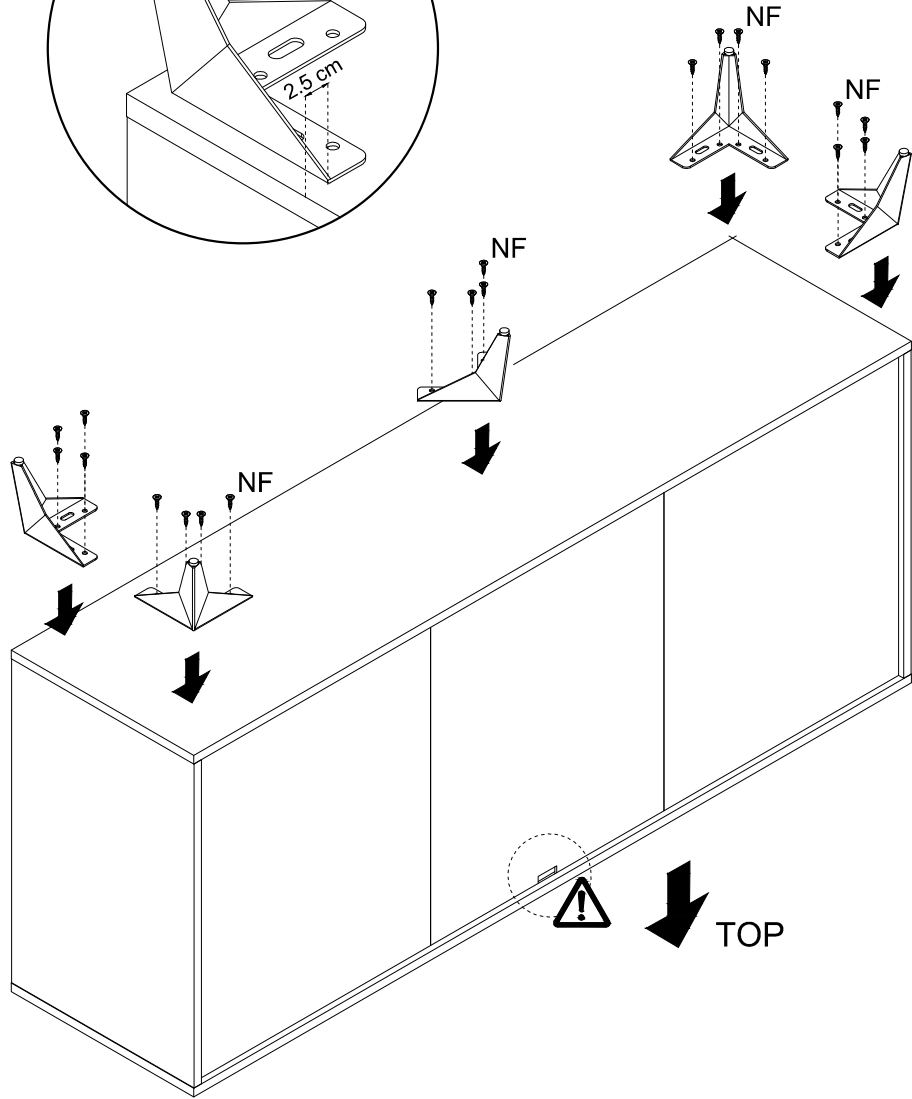
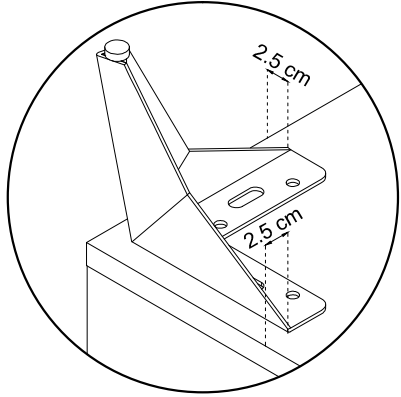
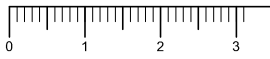
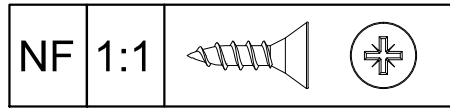
9



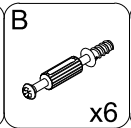
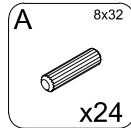
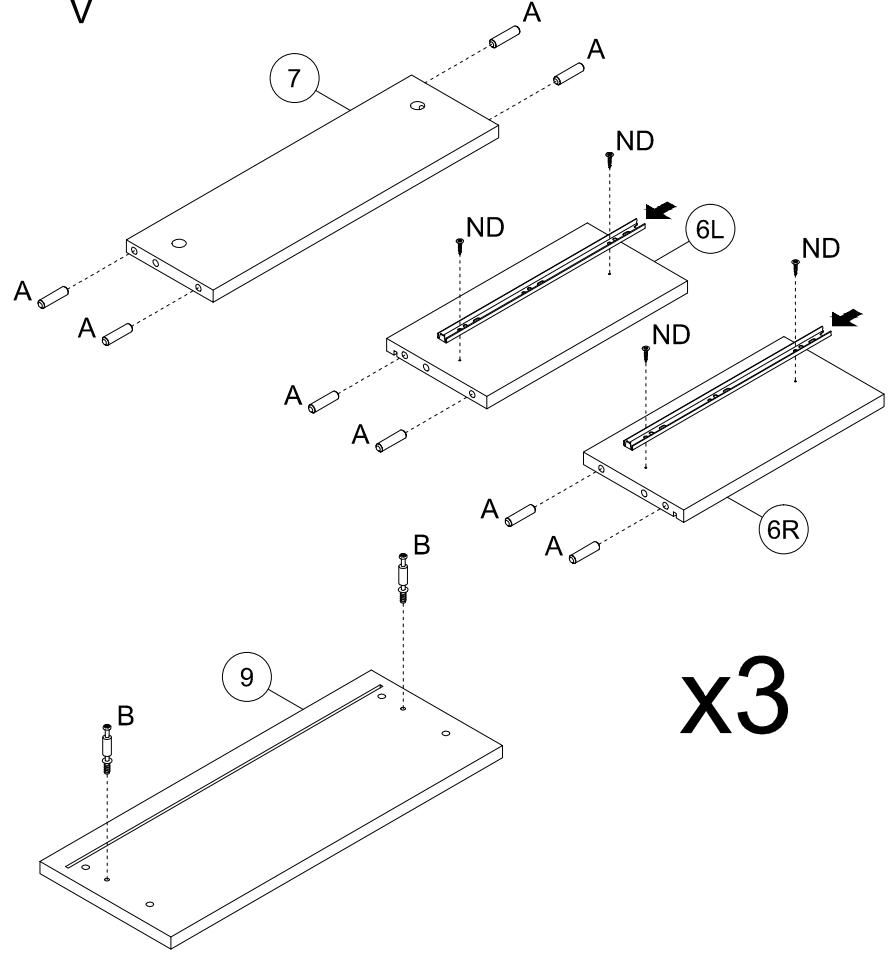
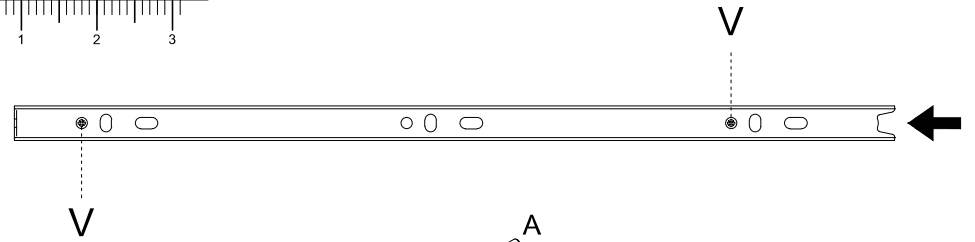
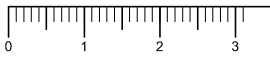
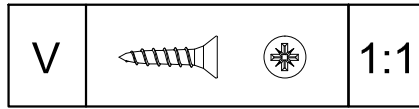
10



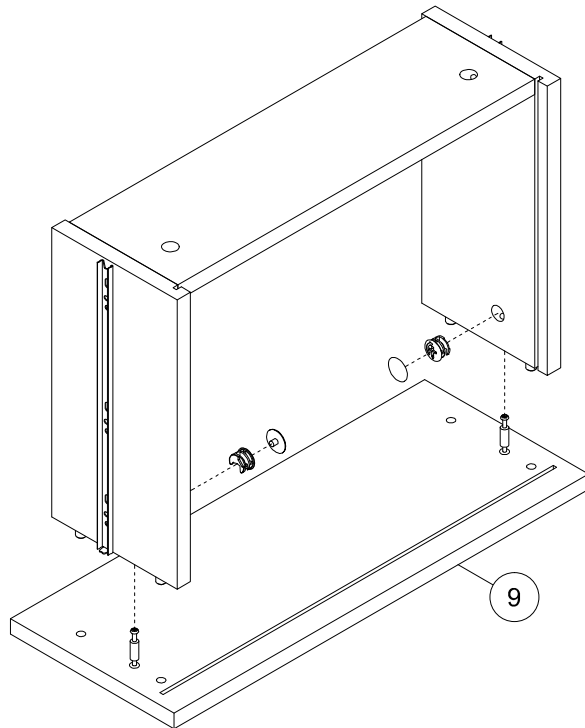
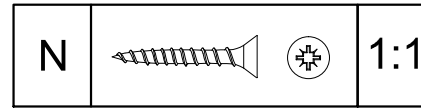
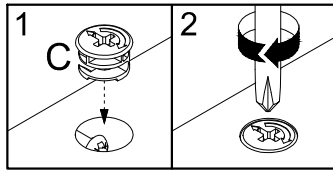
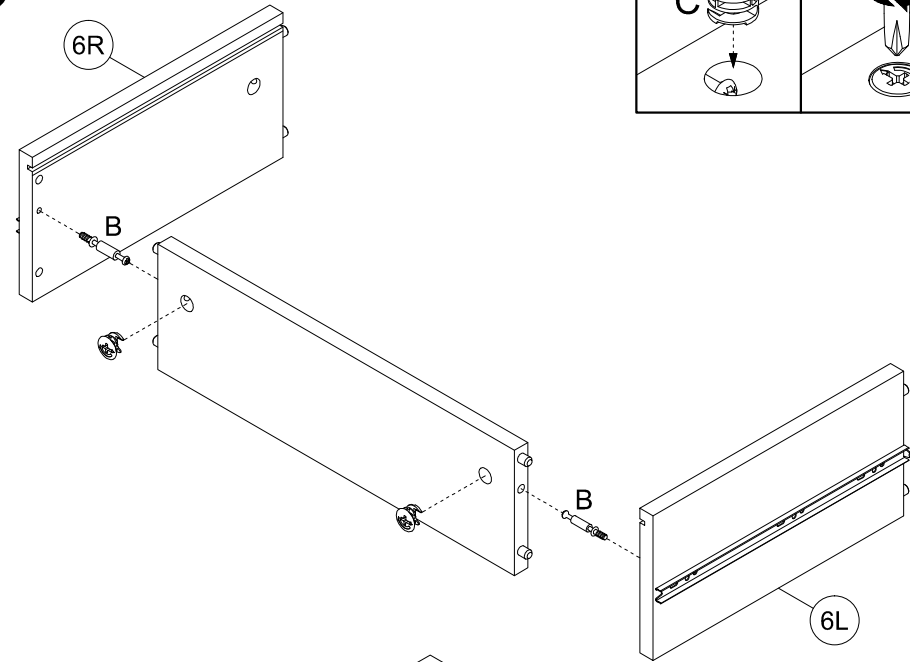
11



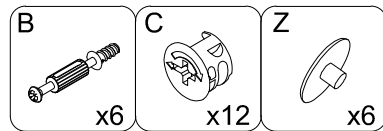
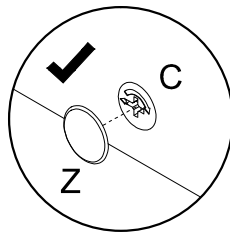
12



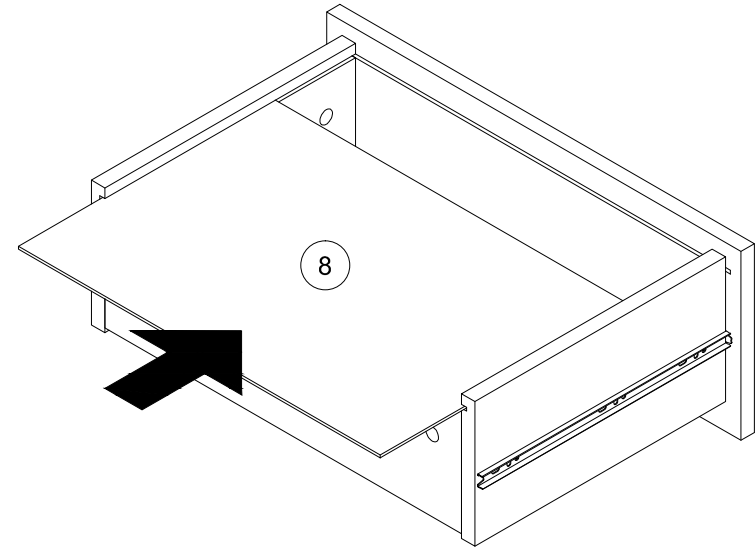
13



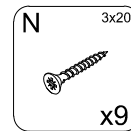
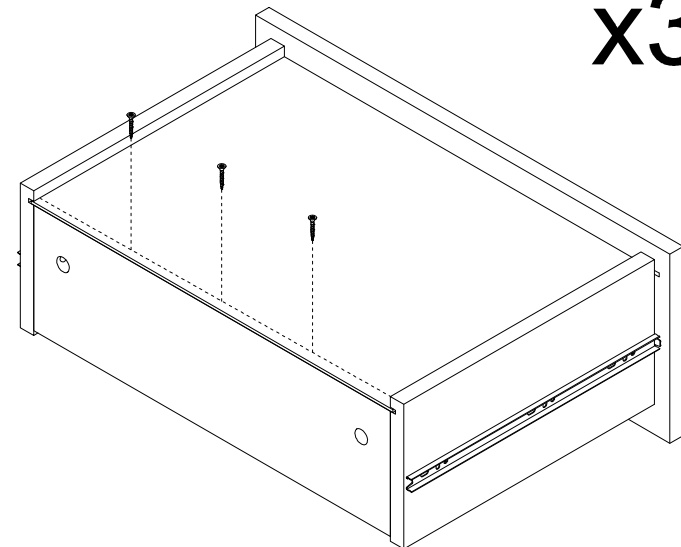
x3



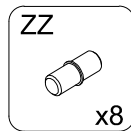
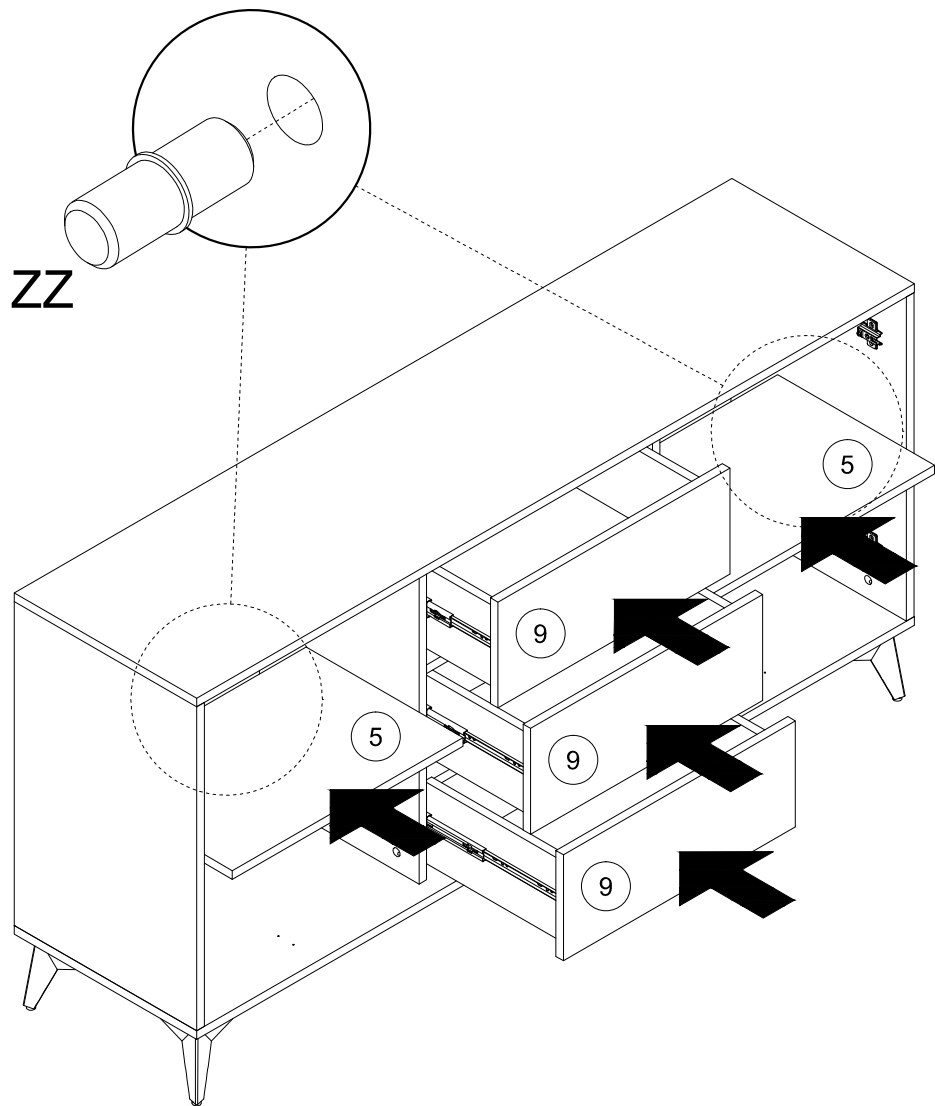
14



x3



15



16

