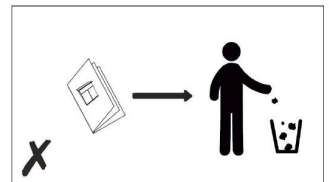
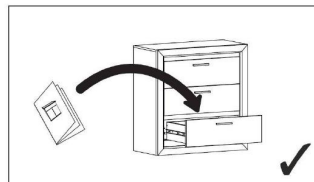
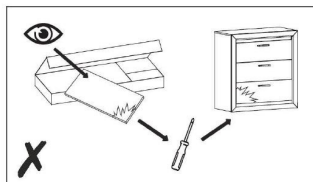
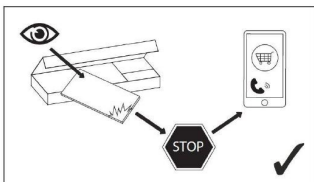
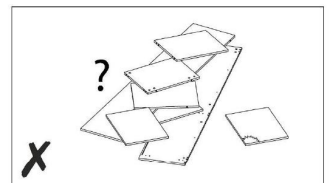
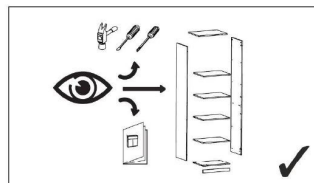
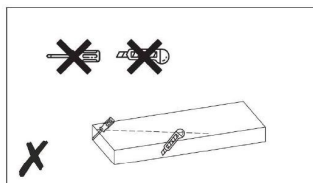
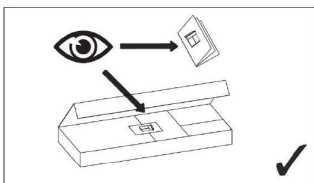
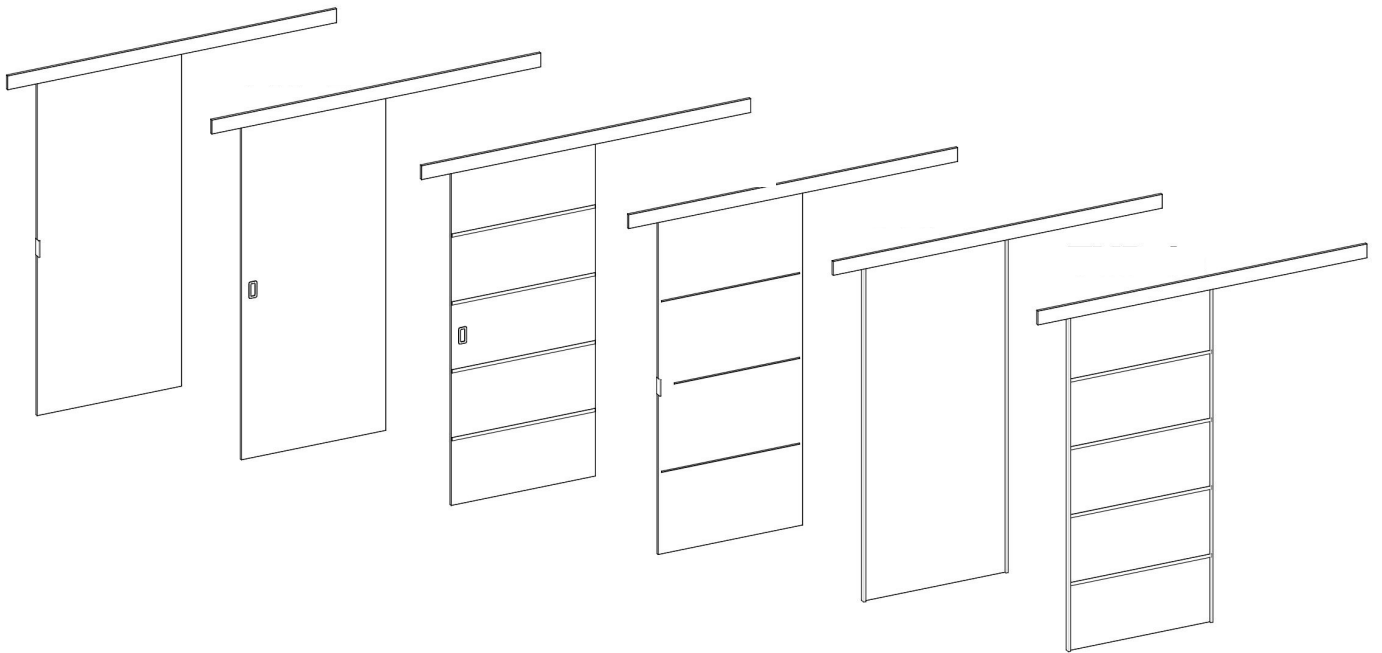
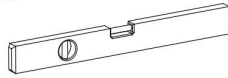
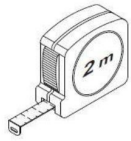
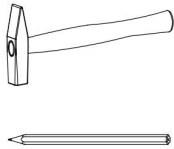
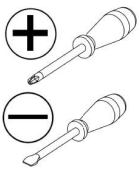
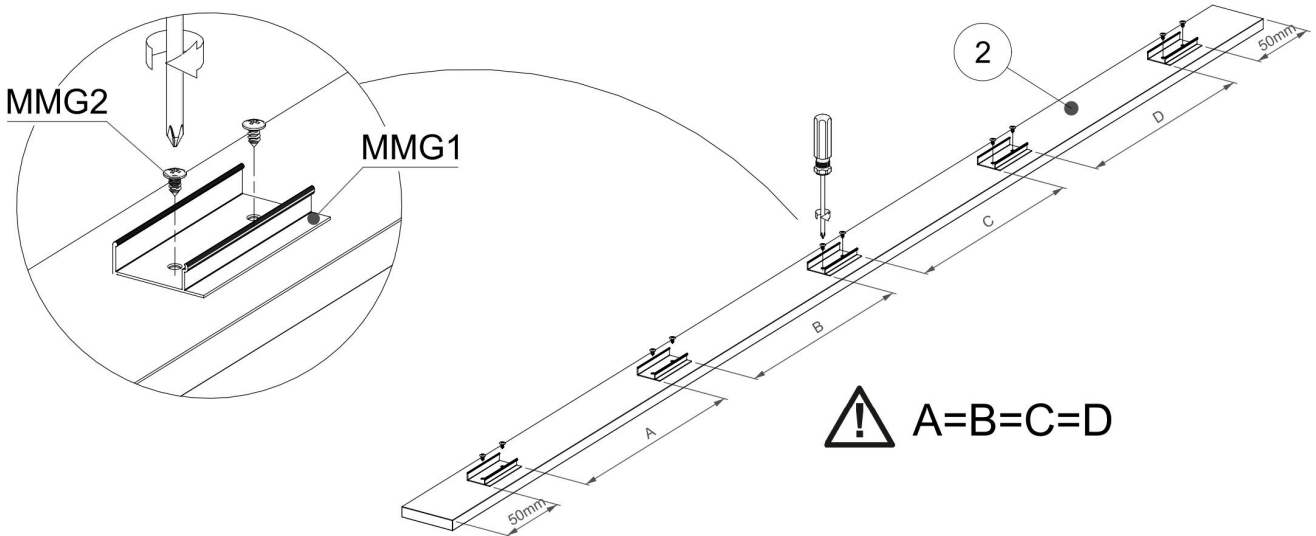
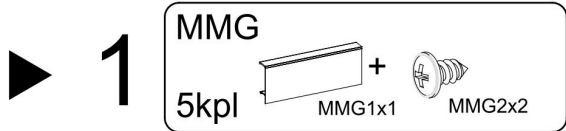
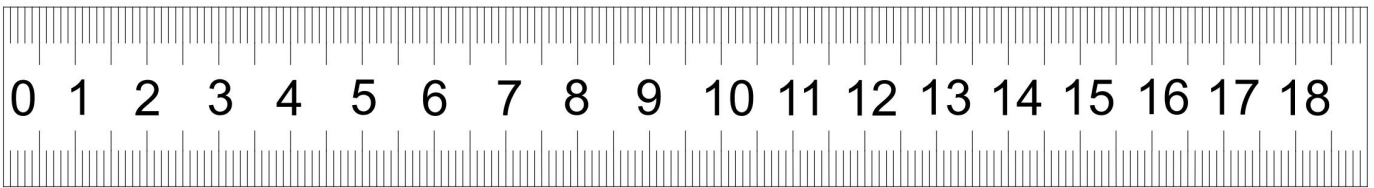
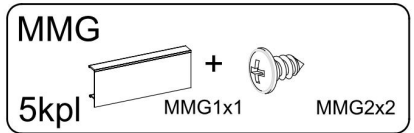
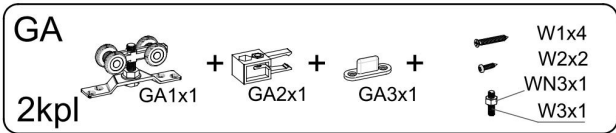
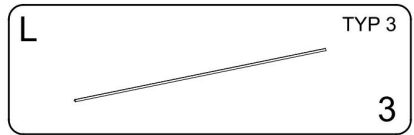
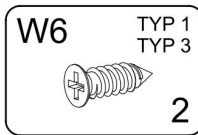
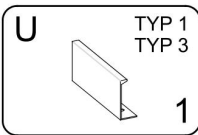
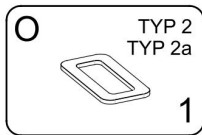
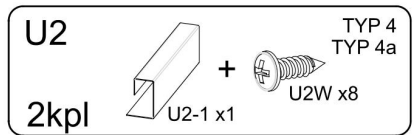
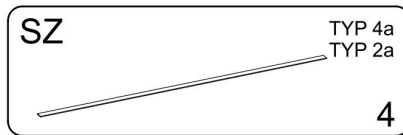
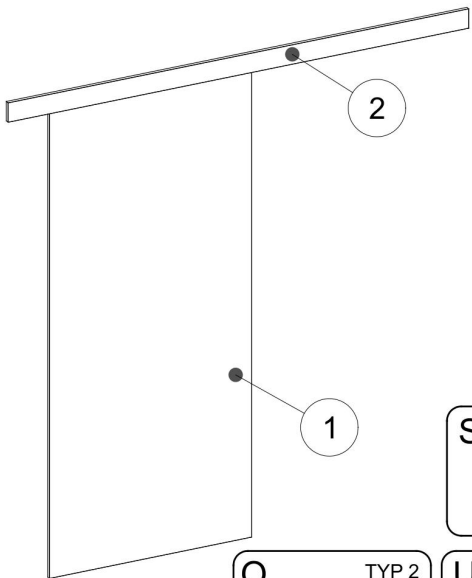


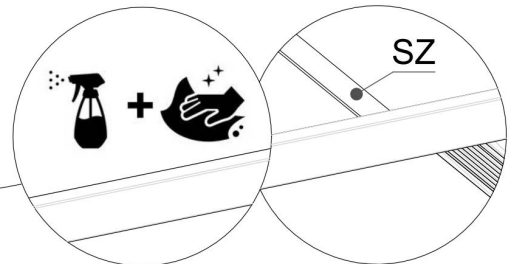
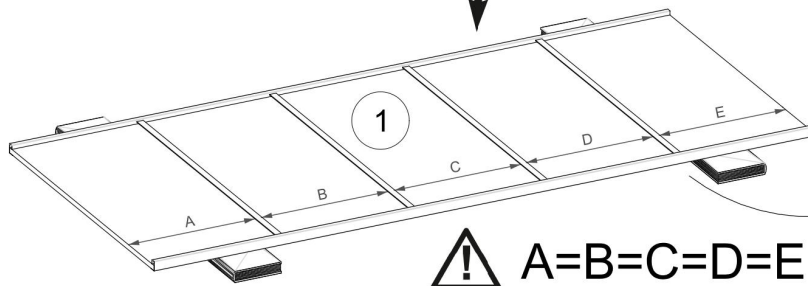
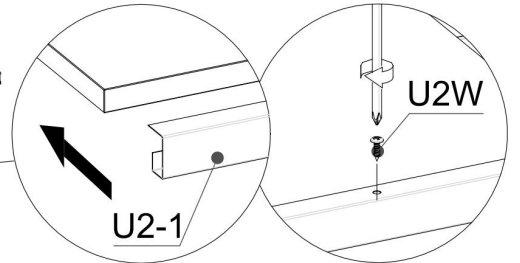
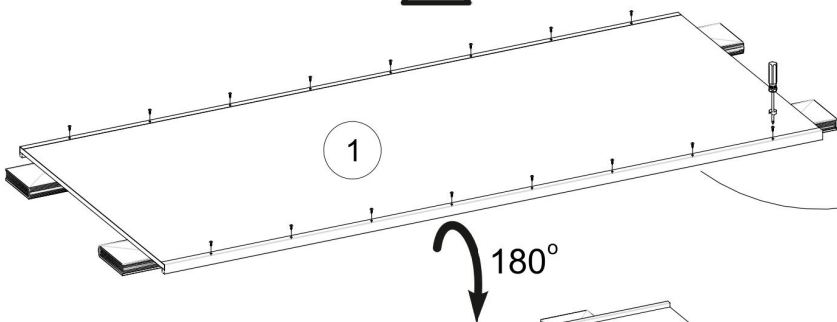
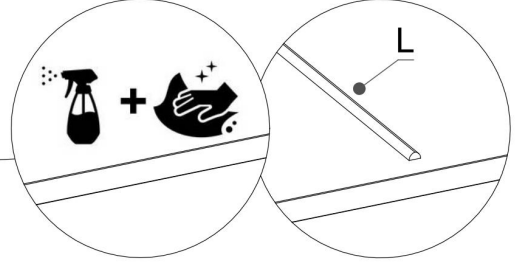
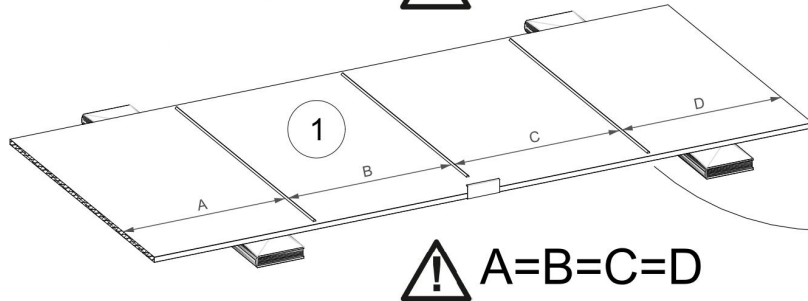
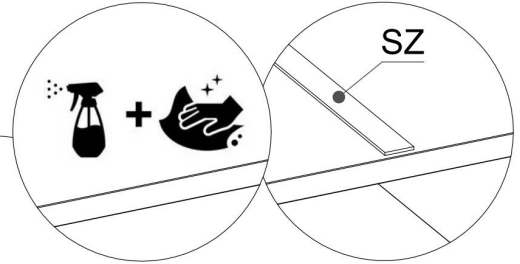
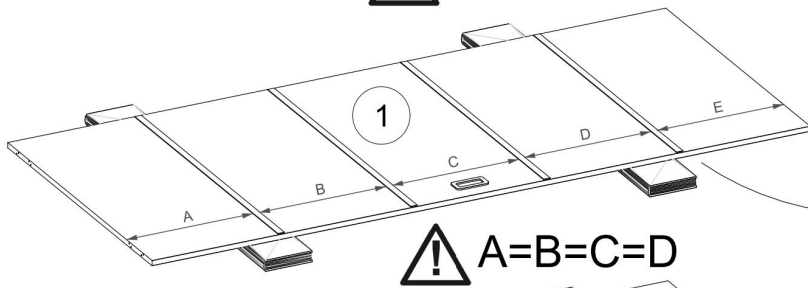
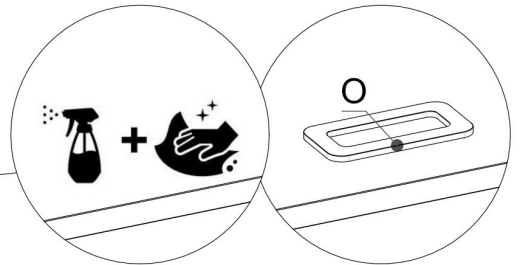
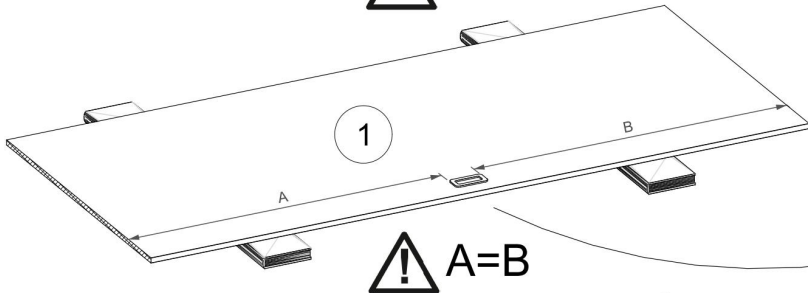
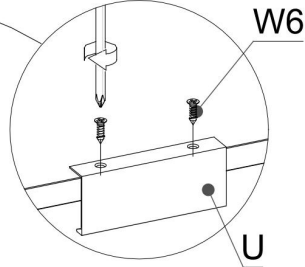
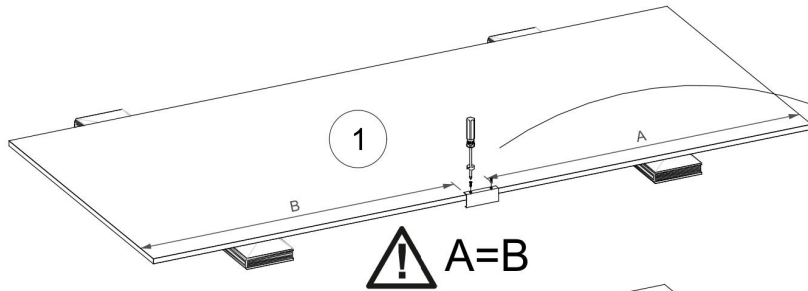
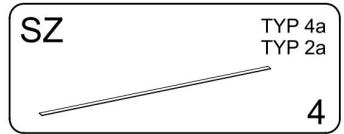
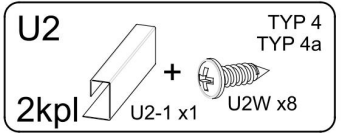
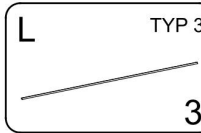
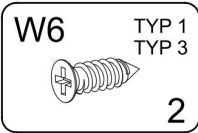
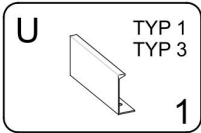
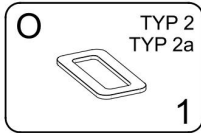


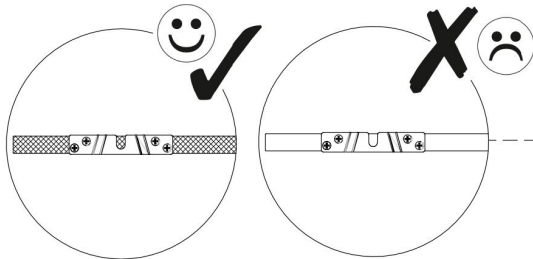
~60



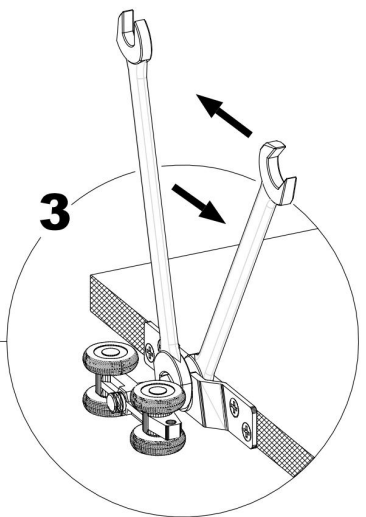
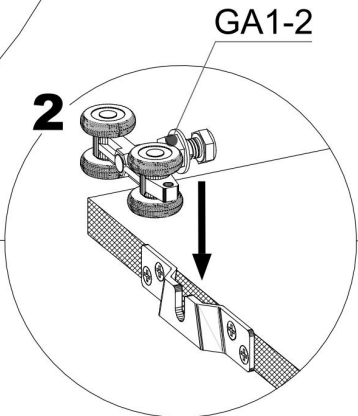
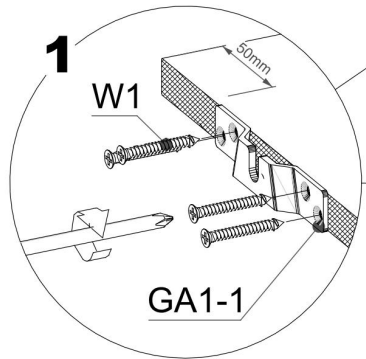
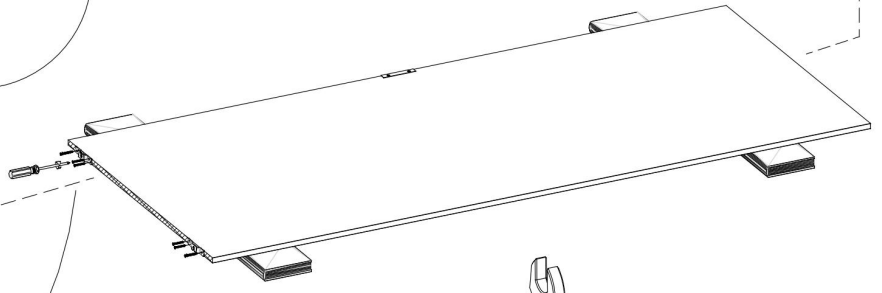
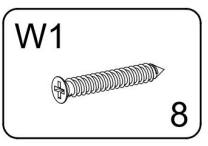
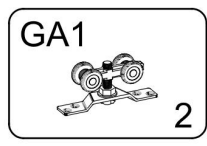


▶ 2

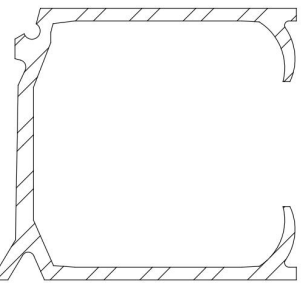
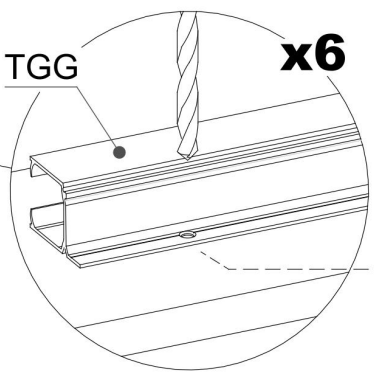
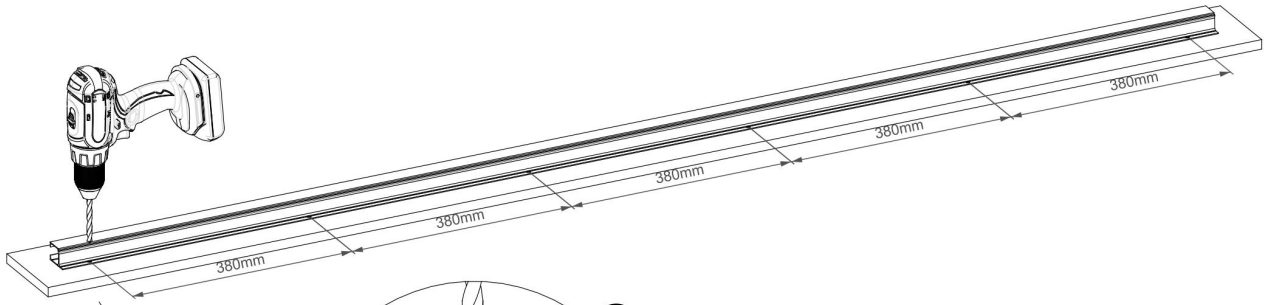
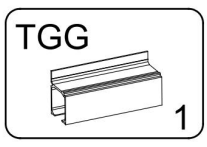




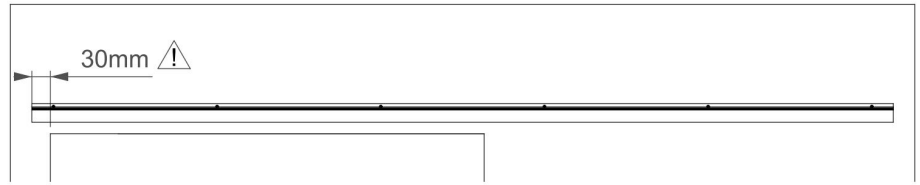
▶ 3



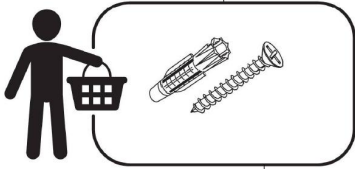
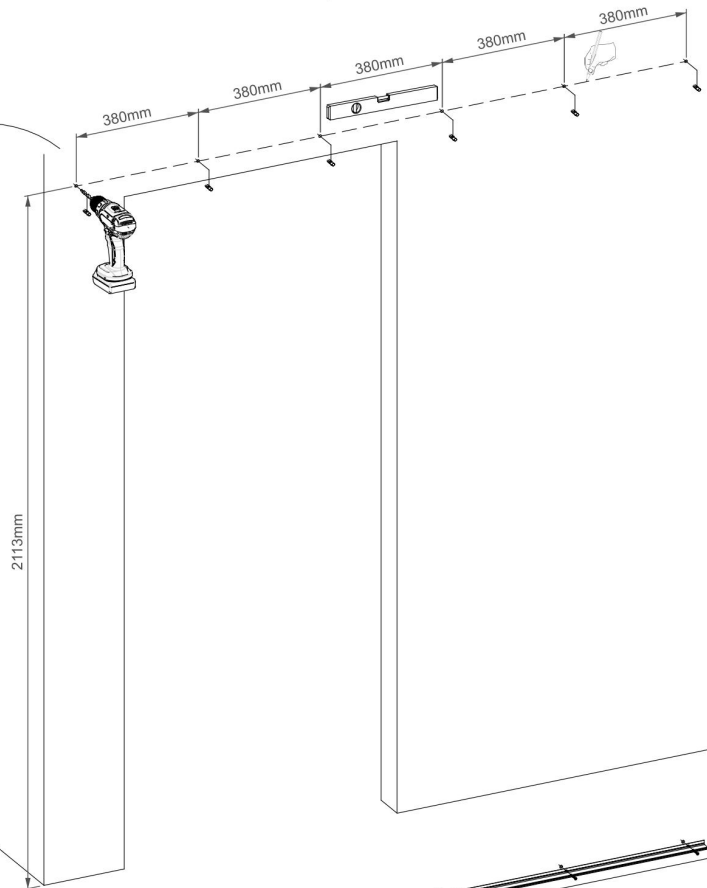
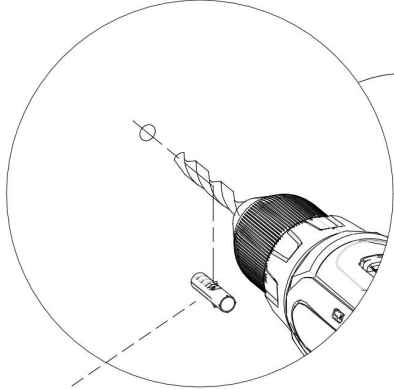
▶ 4



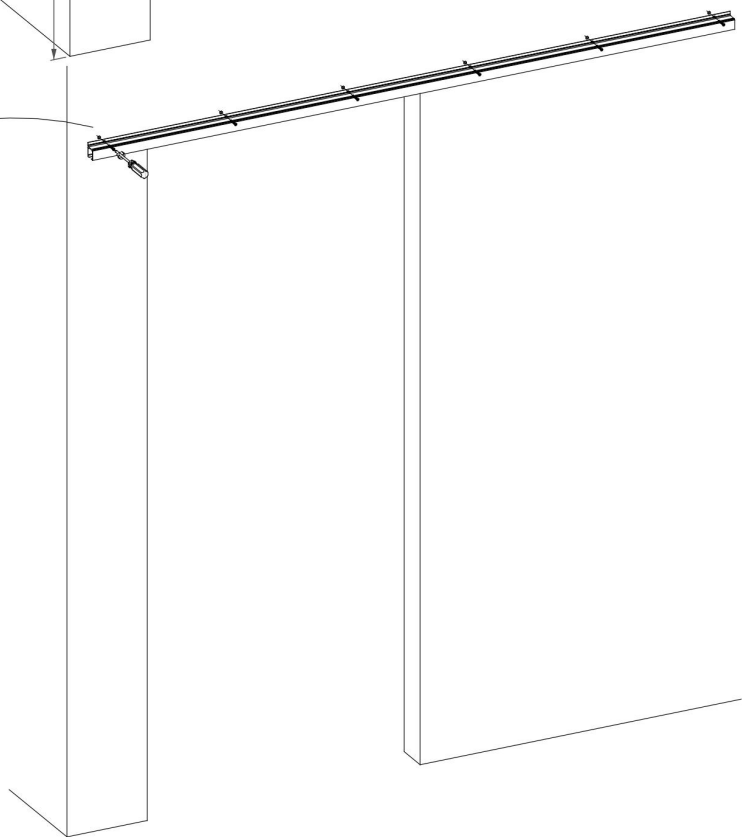
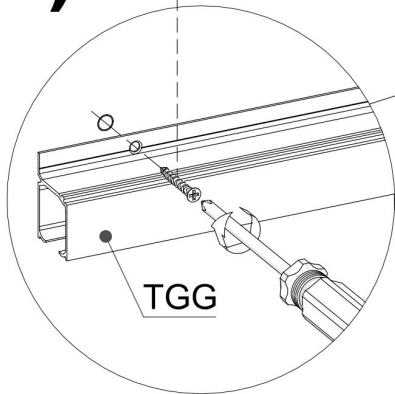
# ▶ 5



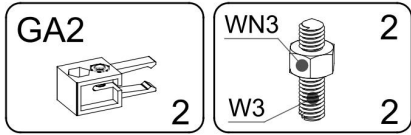
## 1)



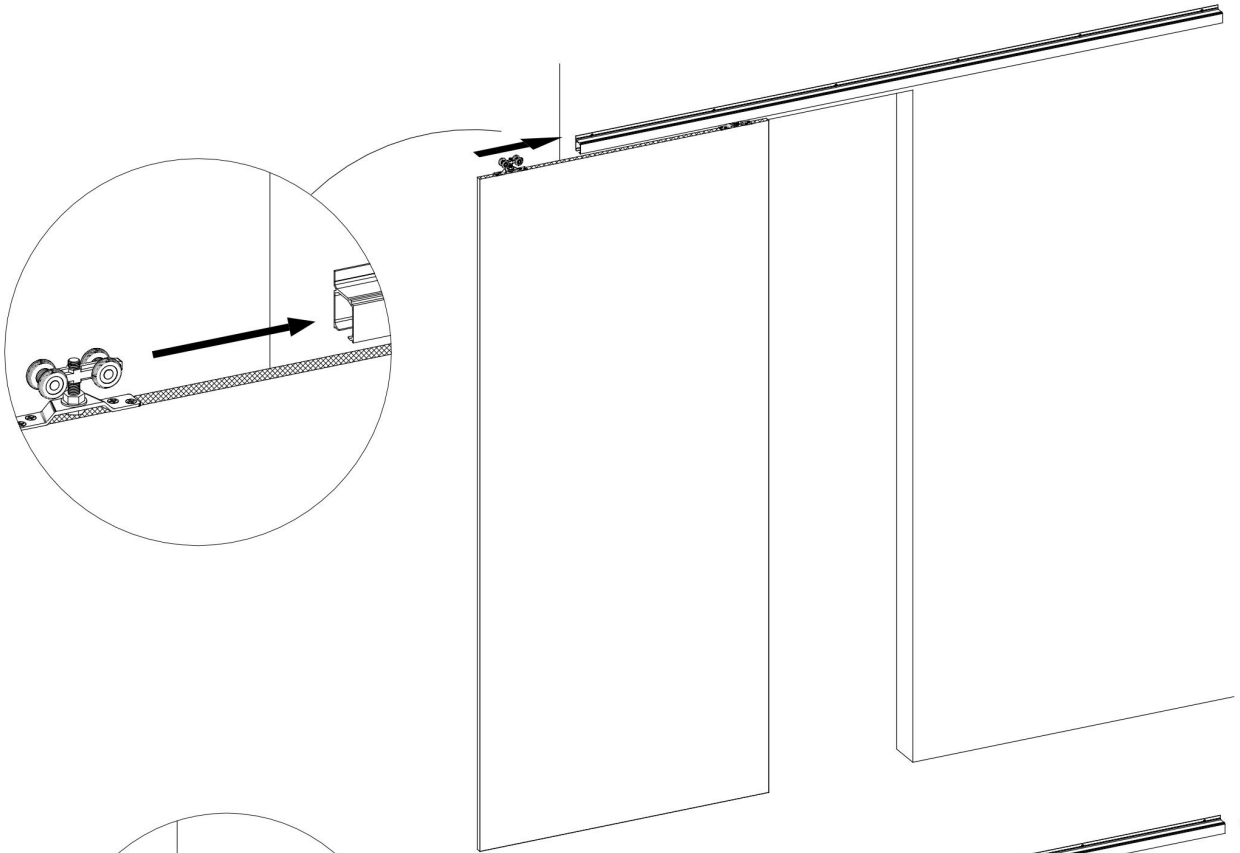
## 2)



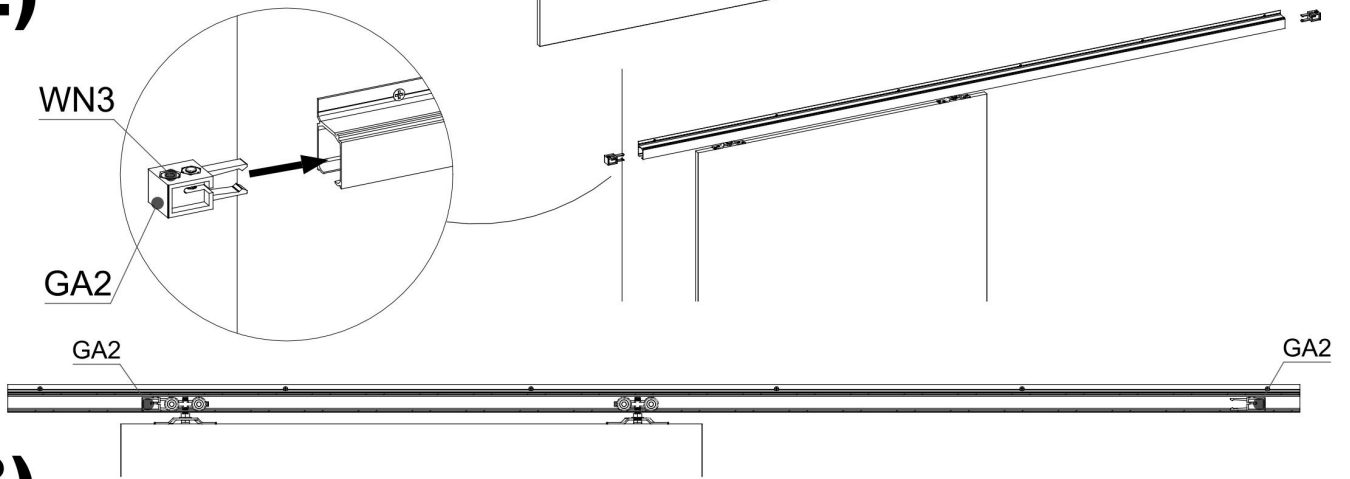
▶ 6



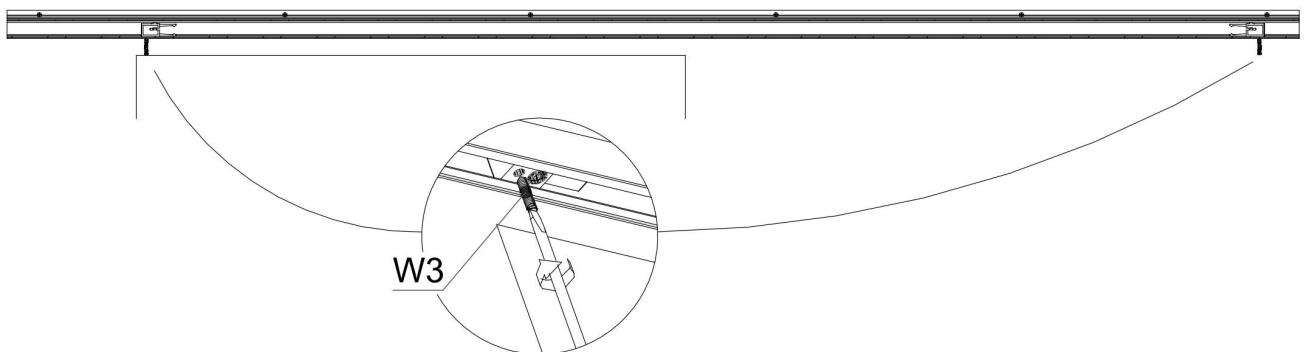
1)



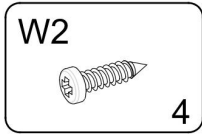
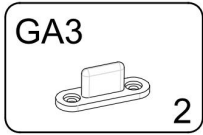
2)



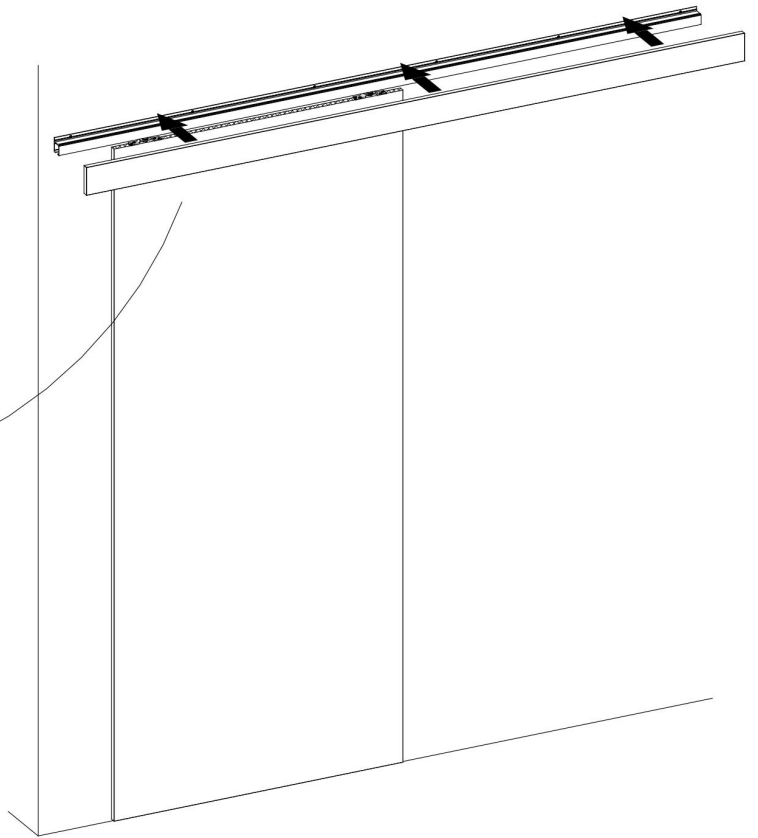
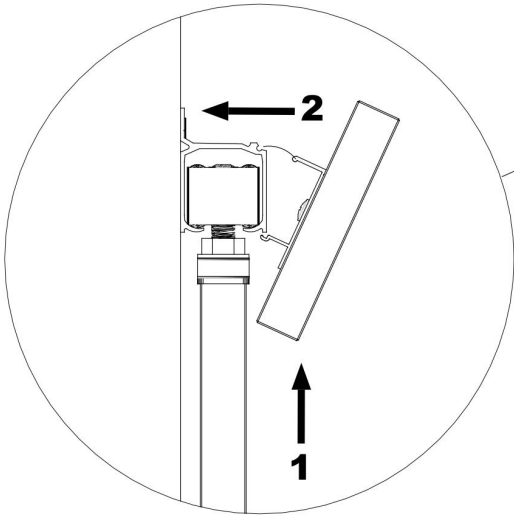
3)



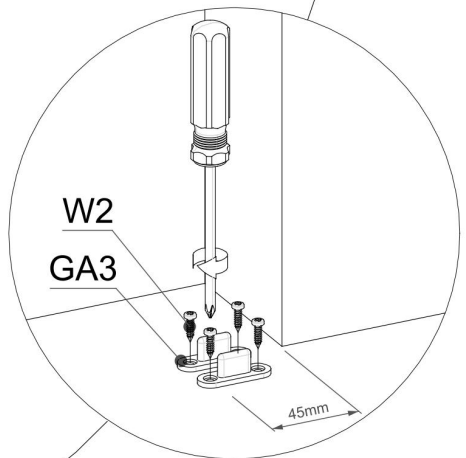
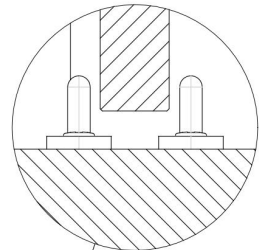
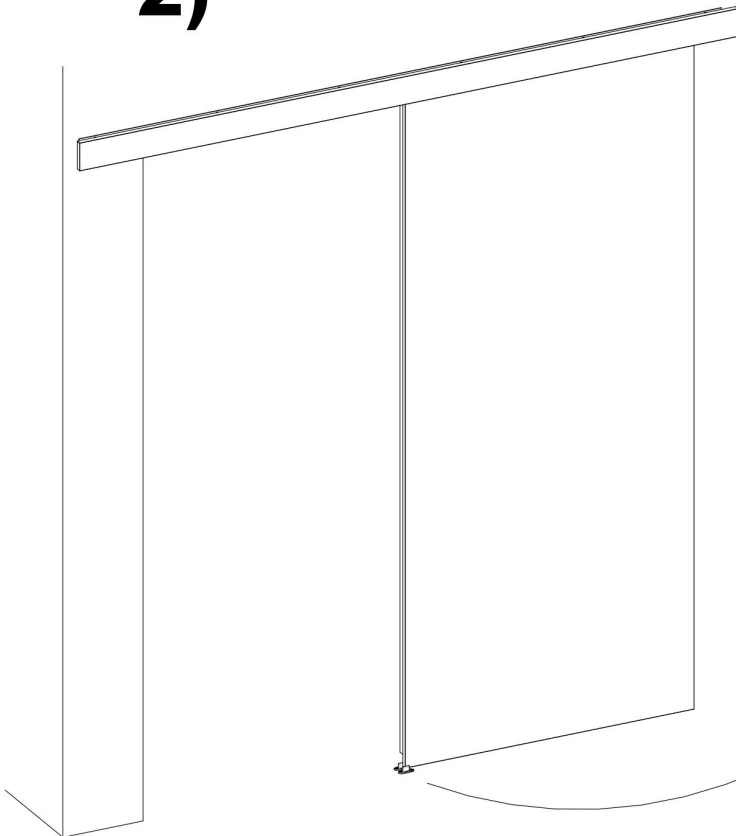
▶ 7



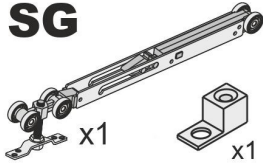
1)



2)



**SG**



x1

x1

G-BW1 x1  
2,9x16

G-BW2 x1  
2,9x9,5

