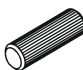
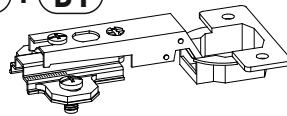


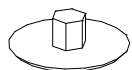


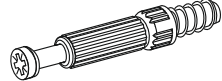
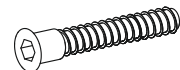



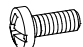
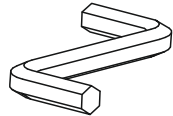



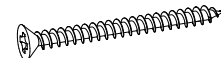
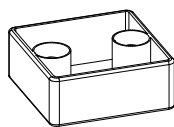
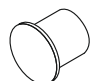

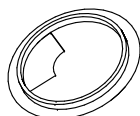
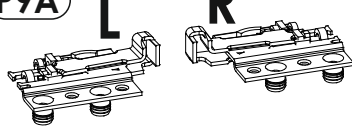
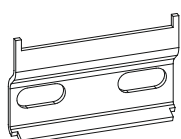
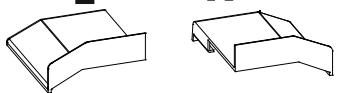
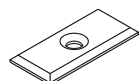
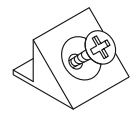
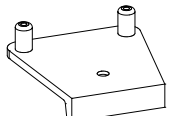
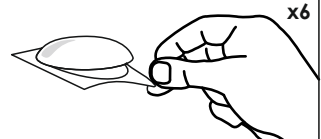
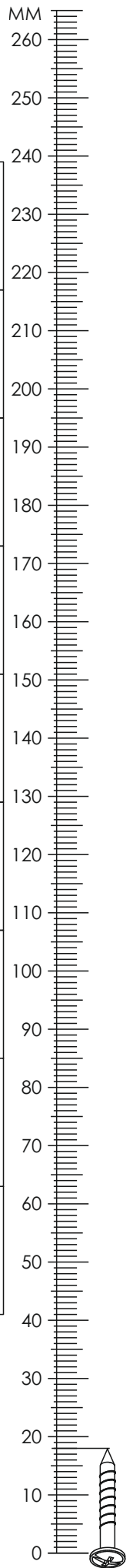
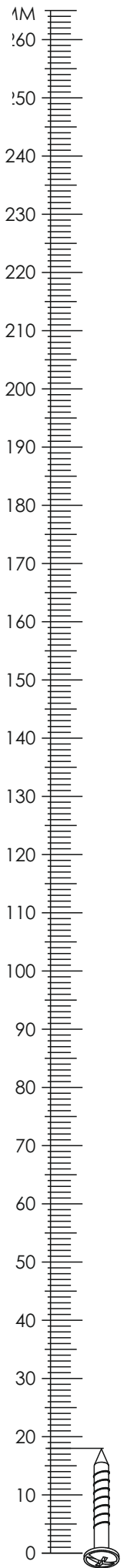
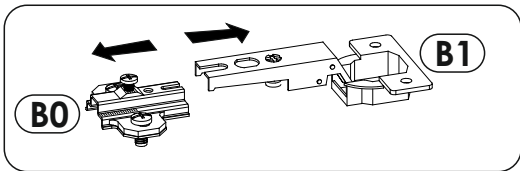
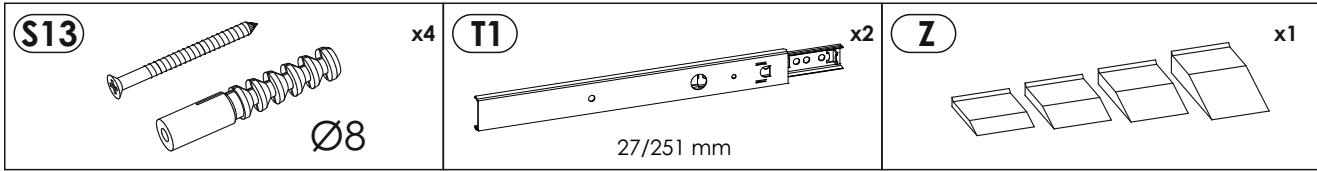
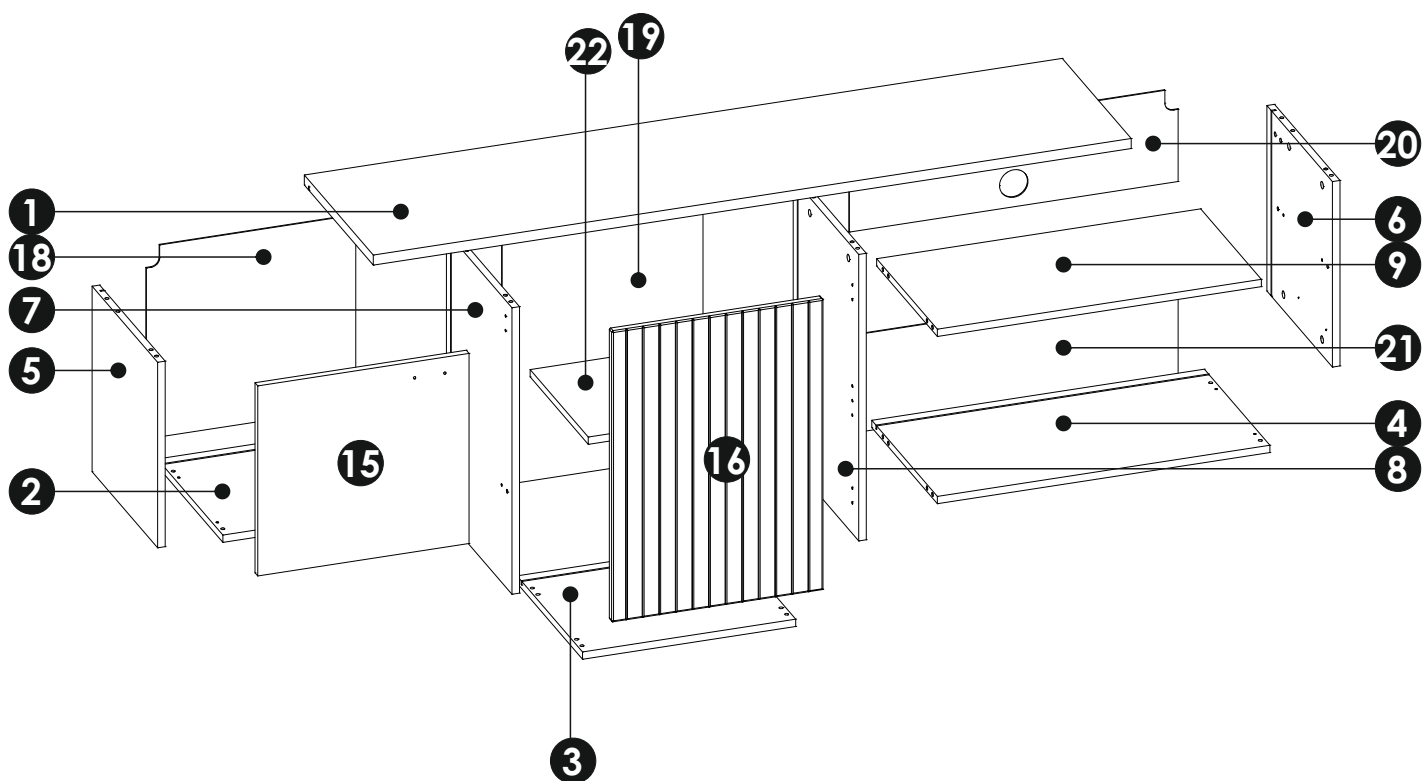
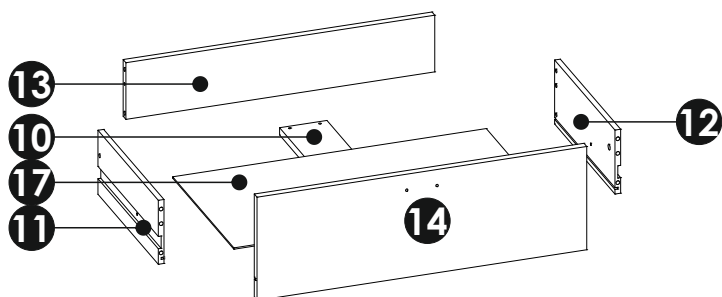
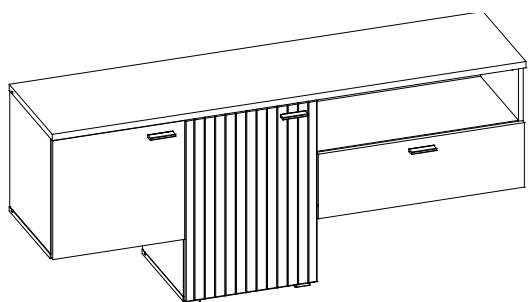


A1 8 x 35 mm x30 	B0 + B1 x4 	C2 5 x 13 mm x12 
D2 x4 	E0 Ø16 x14 	E1 15 x 12 mm x21 
E3 12 x 10 mm x2 	F1 6 x 34 mm x23 	G1 7 x 50 mm x6 
H1 x3  L - 84 mm	I4 3,5 x 27 mm x8 	I5 3,5 x 27 mm x6 
K1 4 x 9 mm x2 	M x1 	NO 3 x 13 mm x1 
N1 3 x 16 mm x10 	N5 3,5 x 16 mm x4 	N9 3,5 x 40 mm x2 
O2 x4 	P0 x6 	P15 x1 
P24 x1 	P9A L R x1 	P8B x2 
P9B L R x1 	R1 x4 	R4 x18 
R5 x1 	R8 x6 	



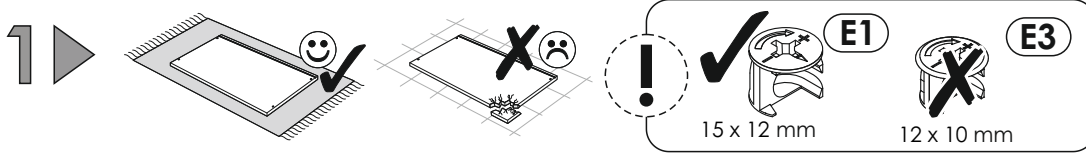
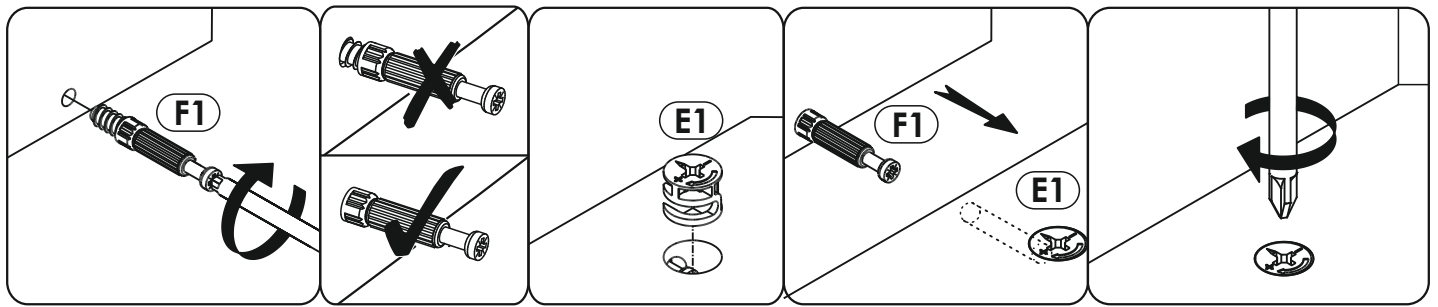




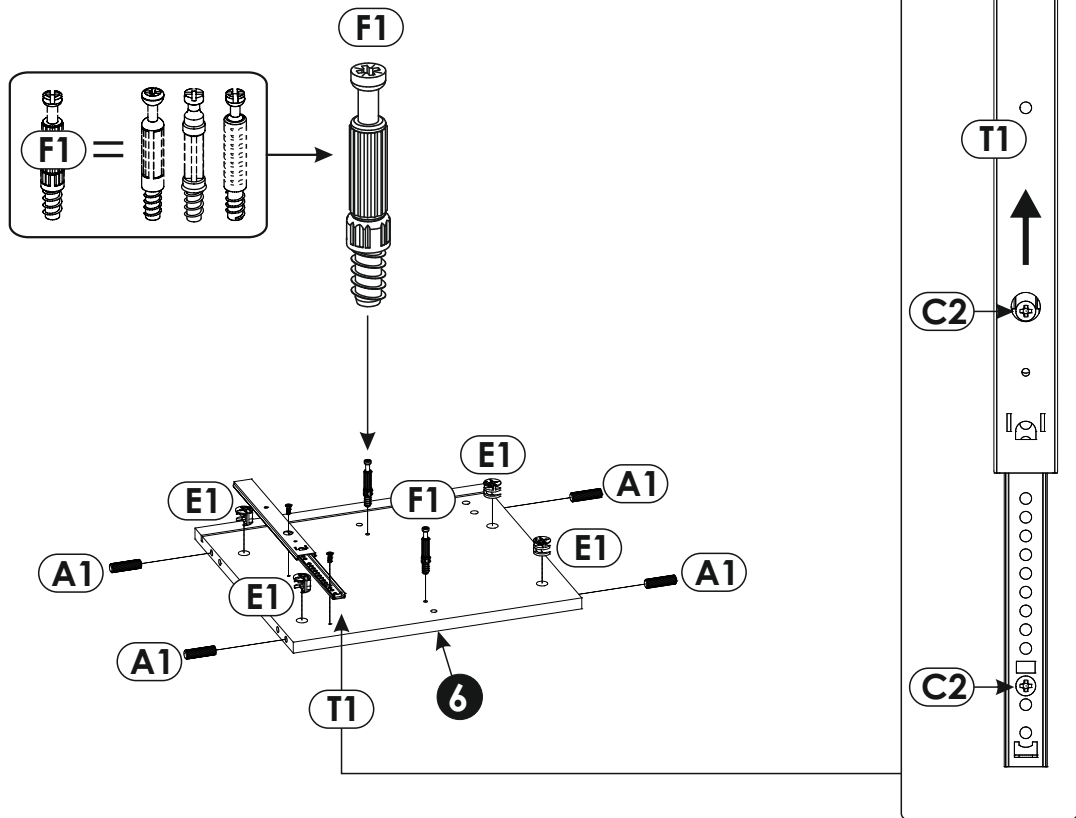
1	1600	400	22	x1	2/2
2	449	380	16	x1	2/2
3	450	380	16	x1	2/2
4	701	380	16	x1	2/2
5	406	380	16	x1	2/2
6	406	380	16	x1	2/2
7	627	380	16	x1	1/2
8	627	380	16	x1	1/2

9	684	352	16	x1	2/2
10	350	100	16	x1	2/2
11	350	140	12	x1	1/2
12	350	140	12	x1	1/2
13	652	124	16	x1	1/2
14	696	226	16	x1	1/2
15	416	446	16	x1	1/2
16	637	446	16	x1	1/2

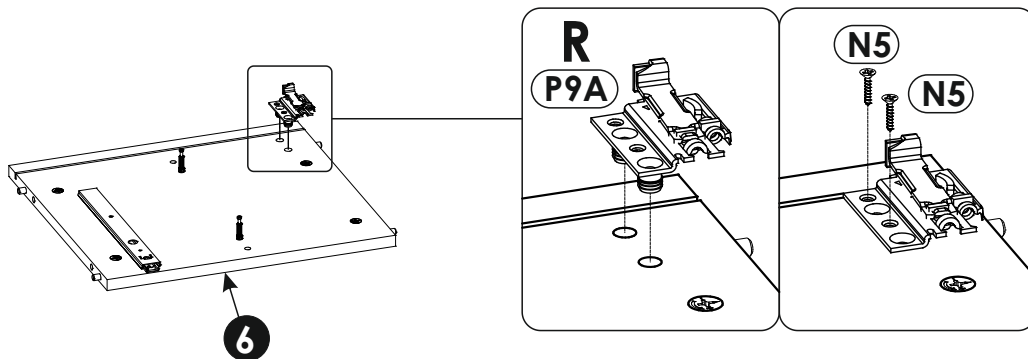
17	662	355	3	x1	1/2
18	420	442	3	x1	1/2
19	641	424	3	x1	1/2
20	204	695	3	x1	1/2
21	214	695	3	x1	1/2
22	415	337	16	x1	1/2

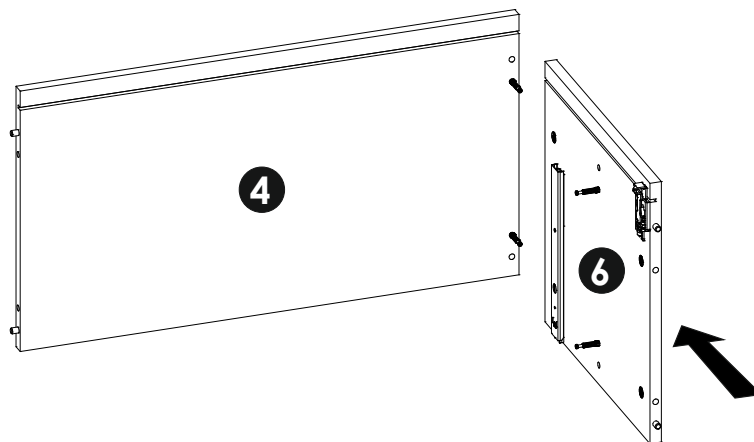
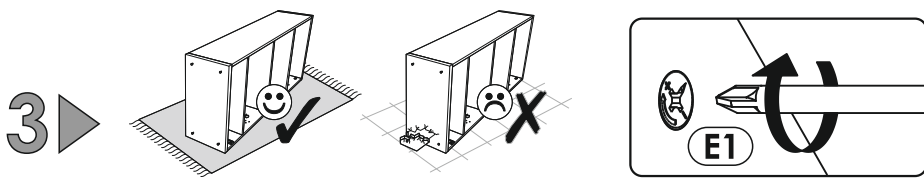
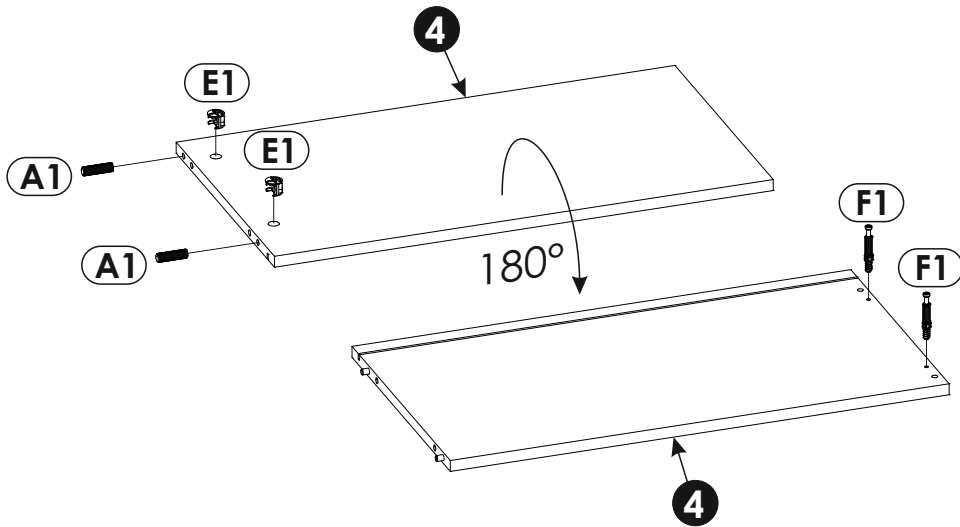
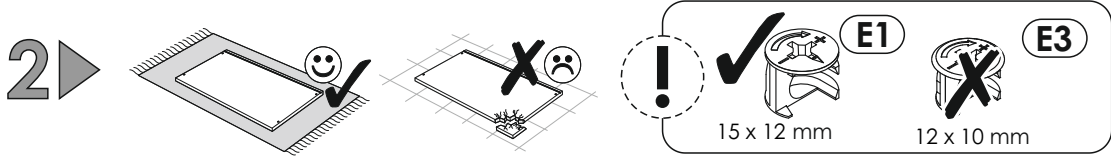


a.

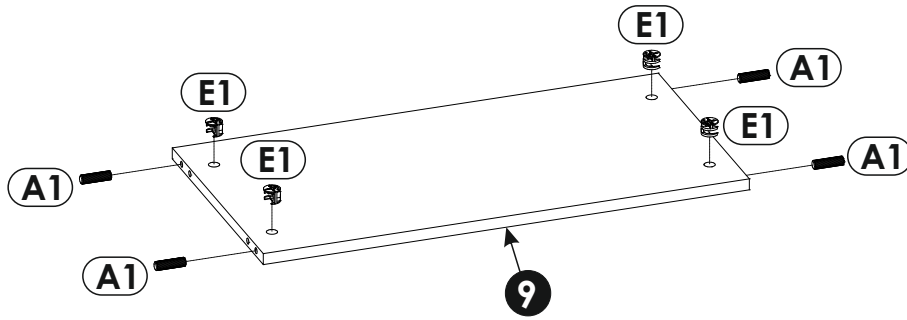
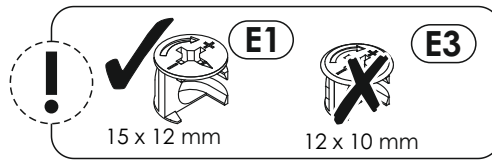
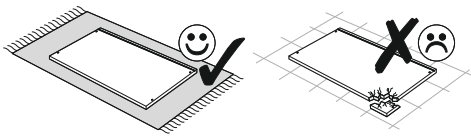


b.

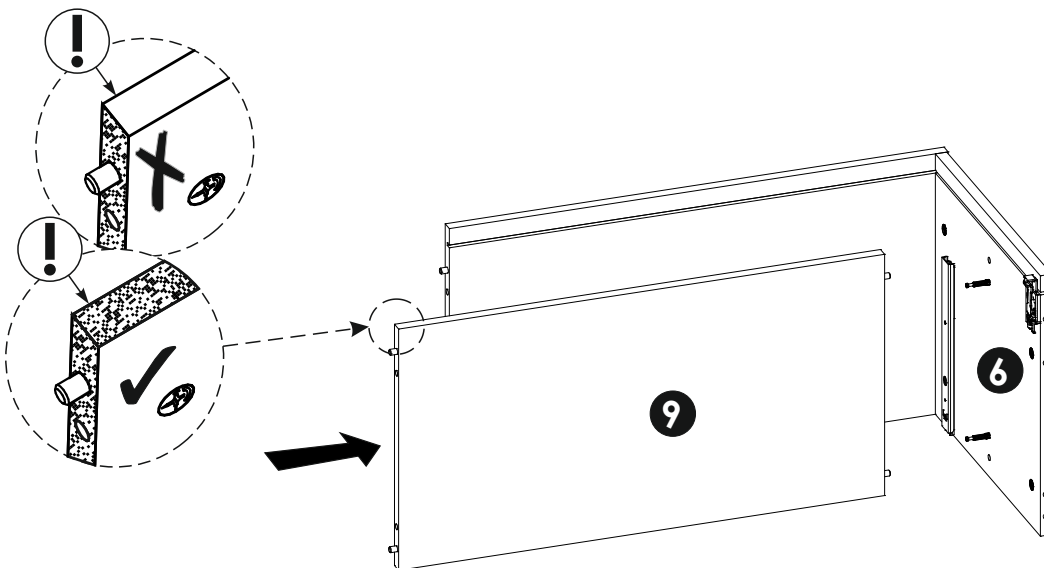
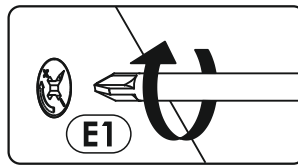
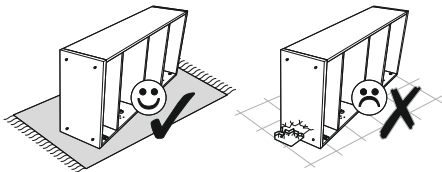


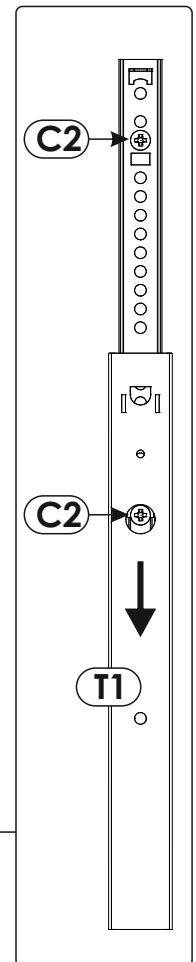
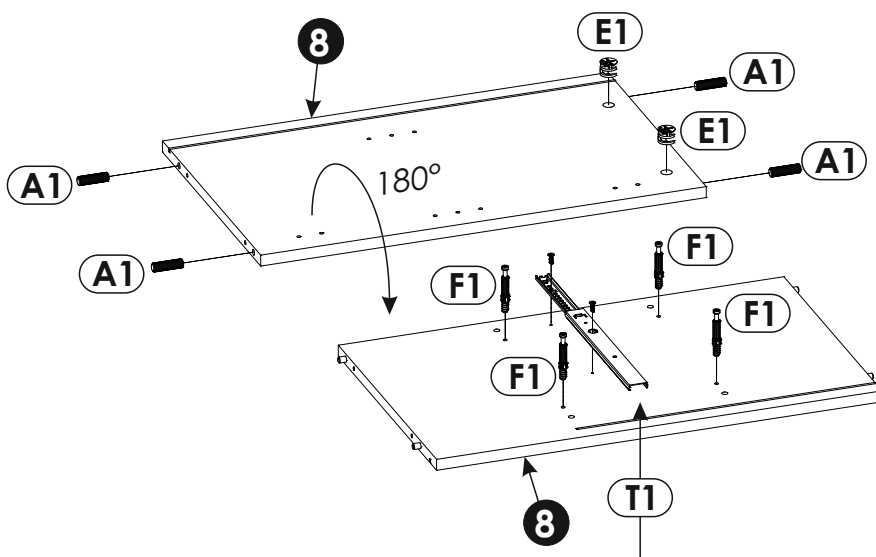
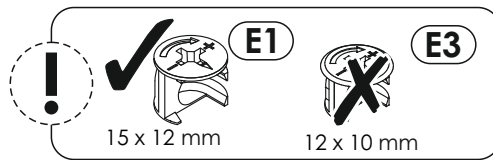
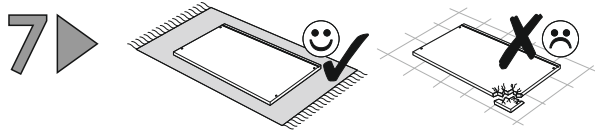
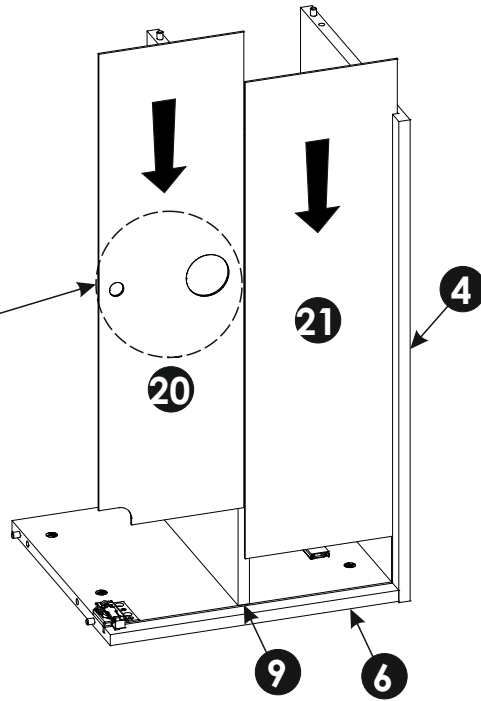
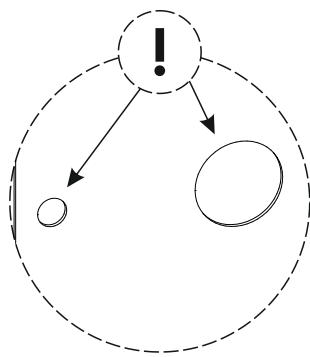
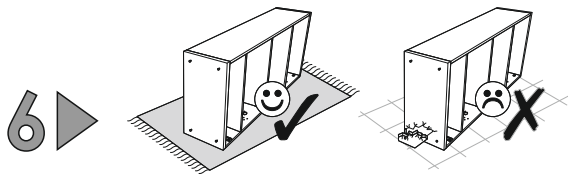


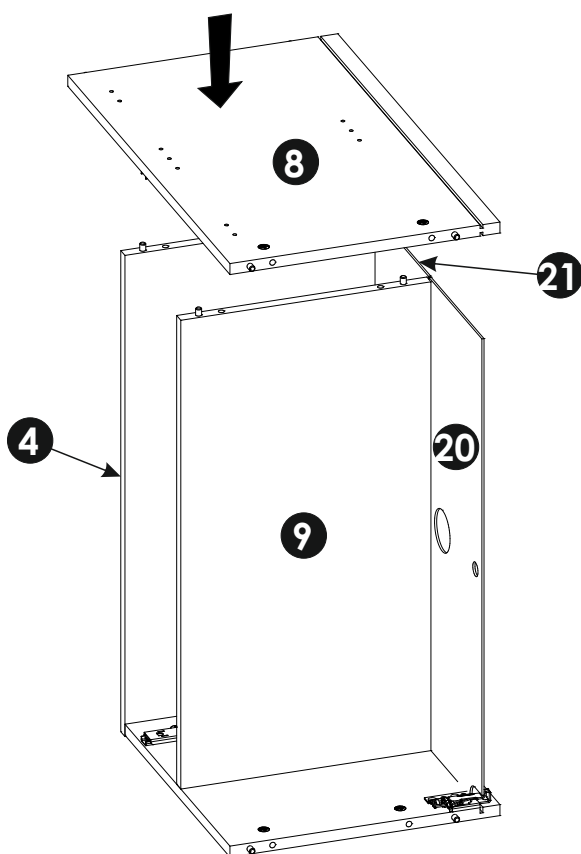
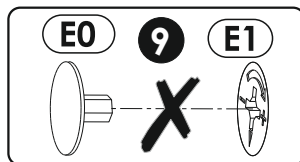
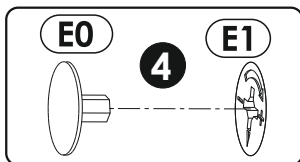
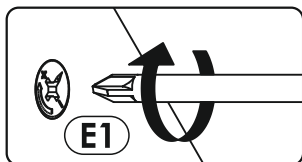
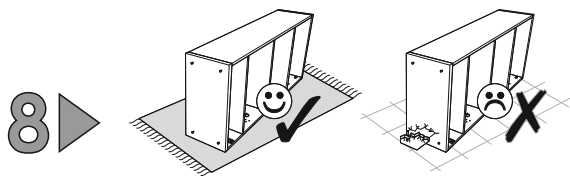
4

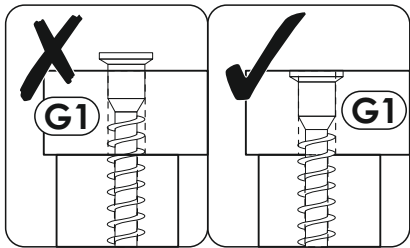
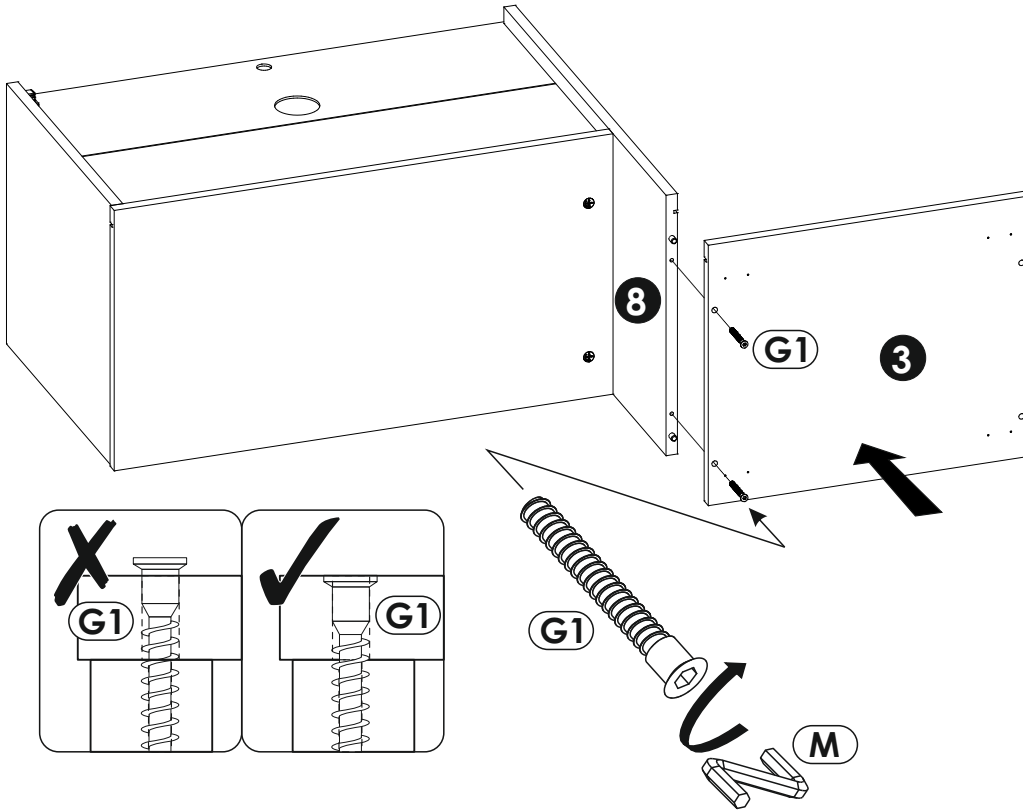
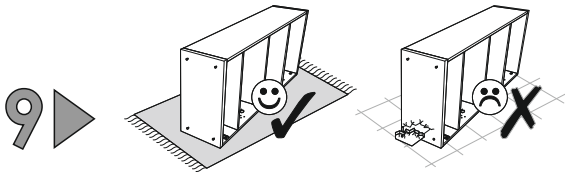


5

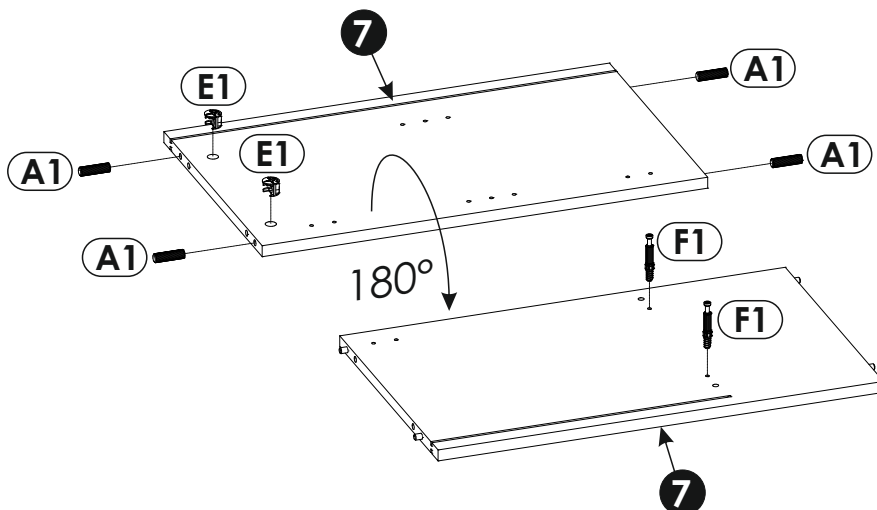
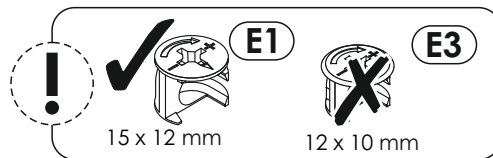
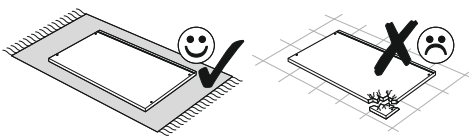




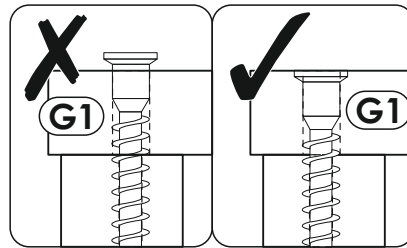
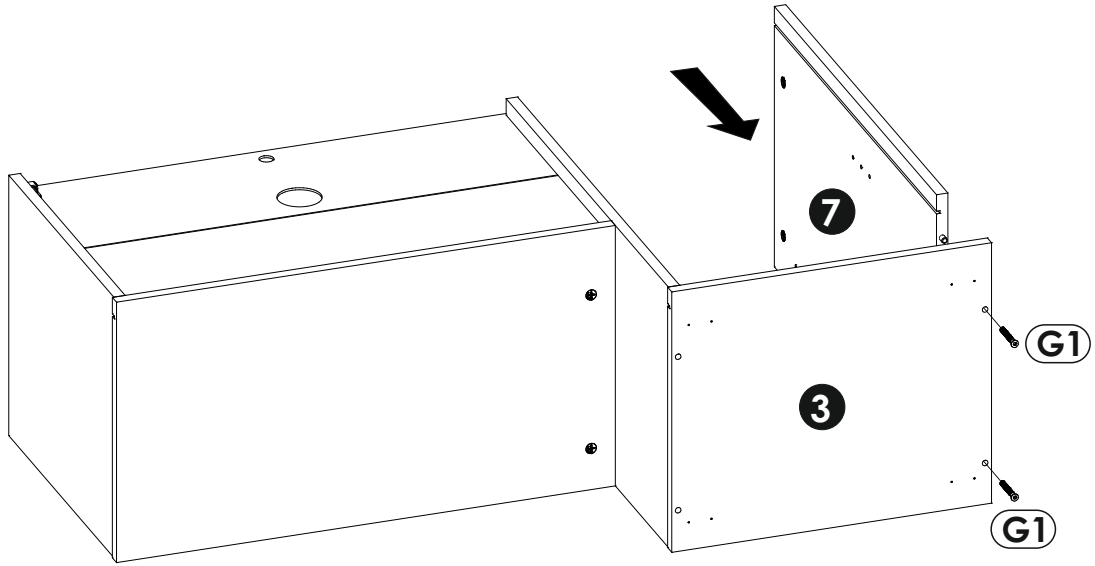
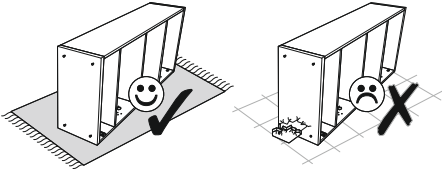




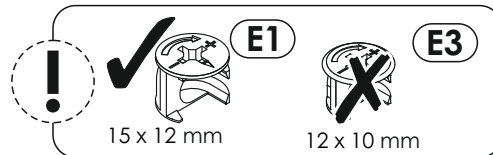
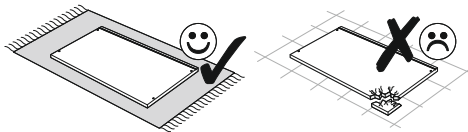
10 ▶



11 ▶

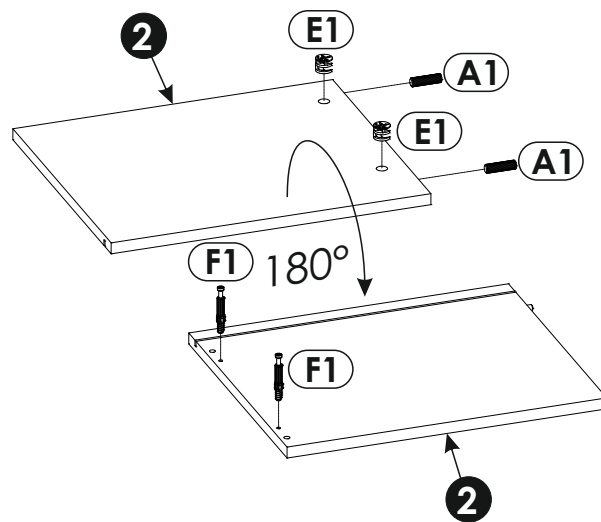


12 ▶

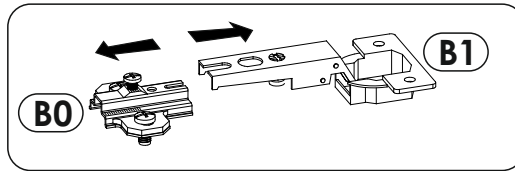
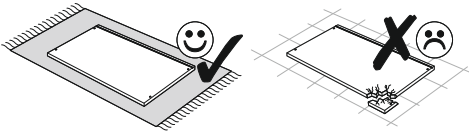


15 x 12 mm

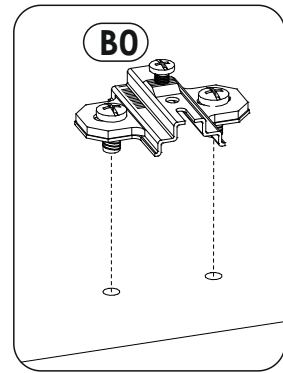
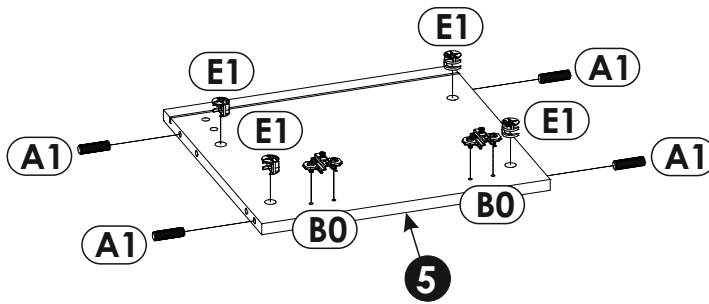
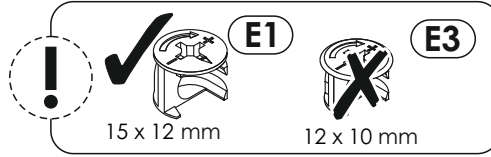
12 x 10 mm



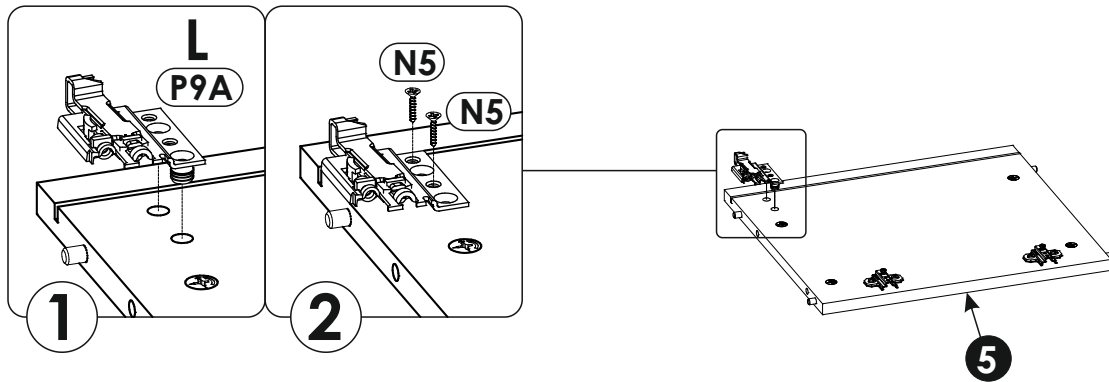
13 ▶



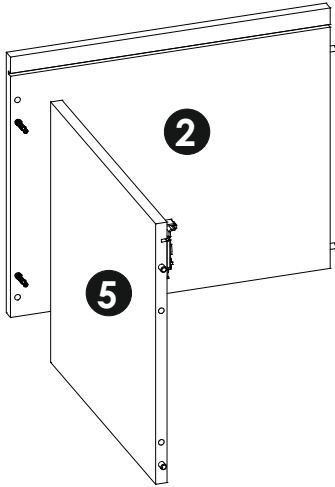
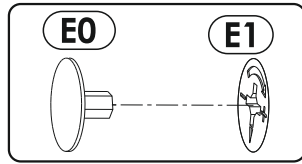
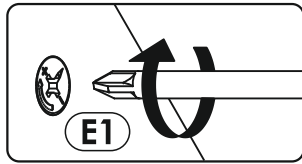
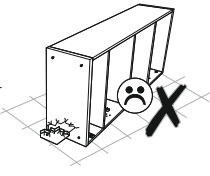
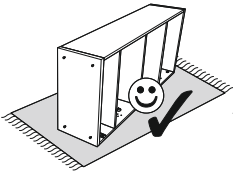
a.



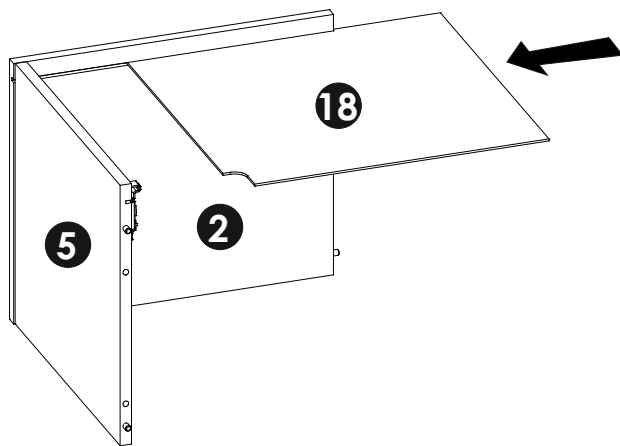
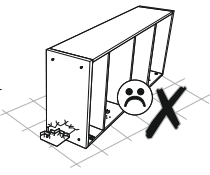
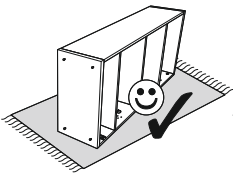
b.



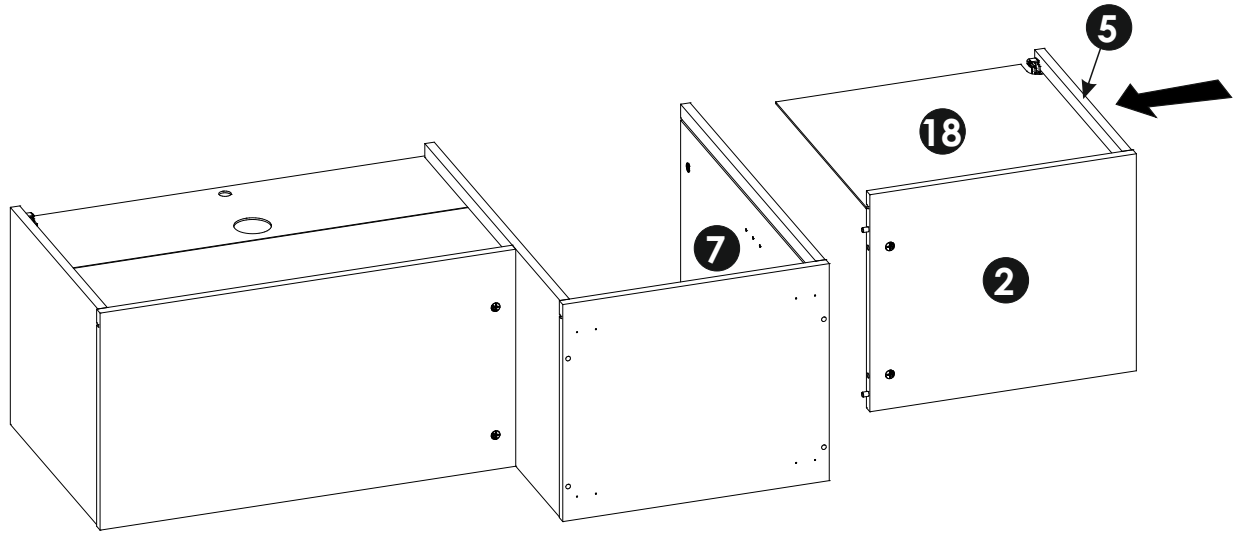
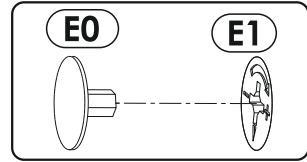
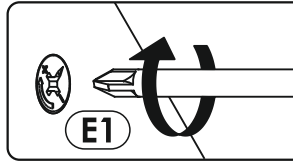
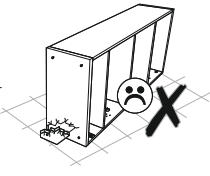
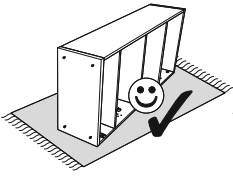
14▶



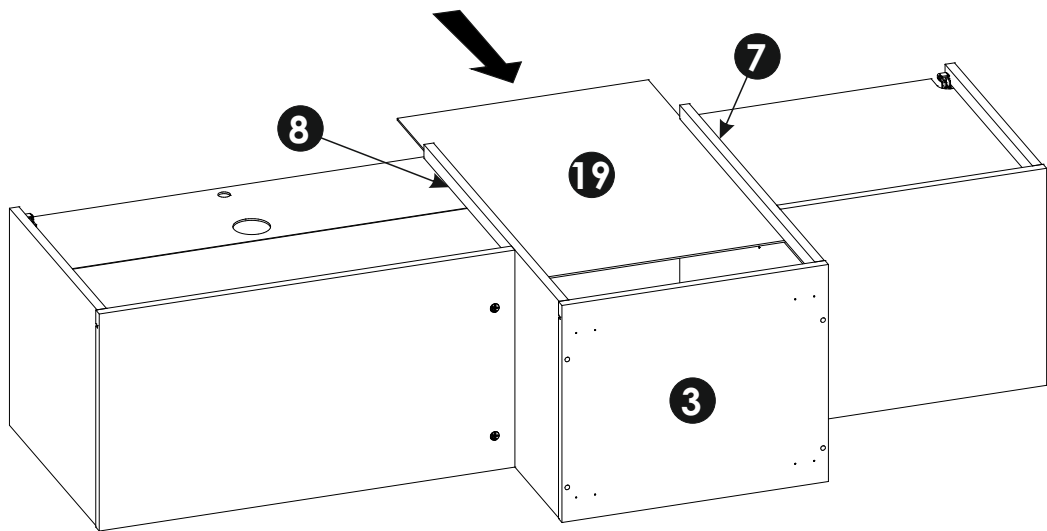
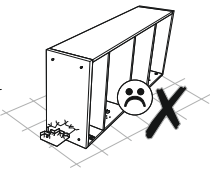
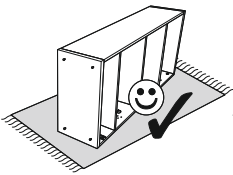
15▶



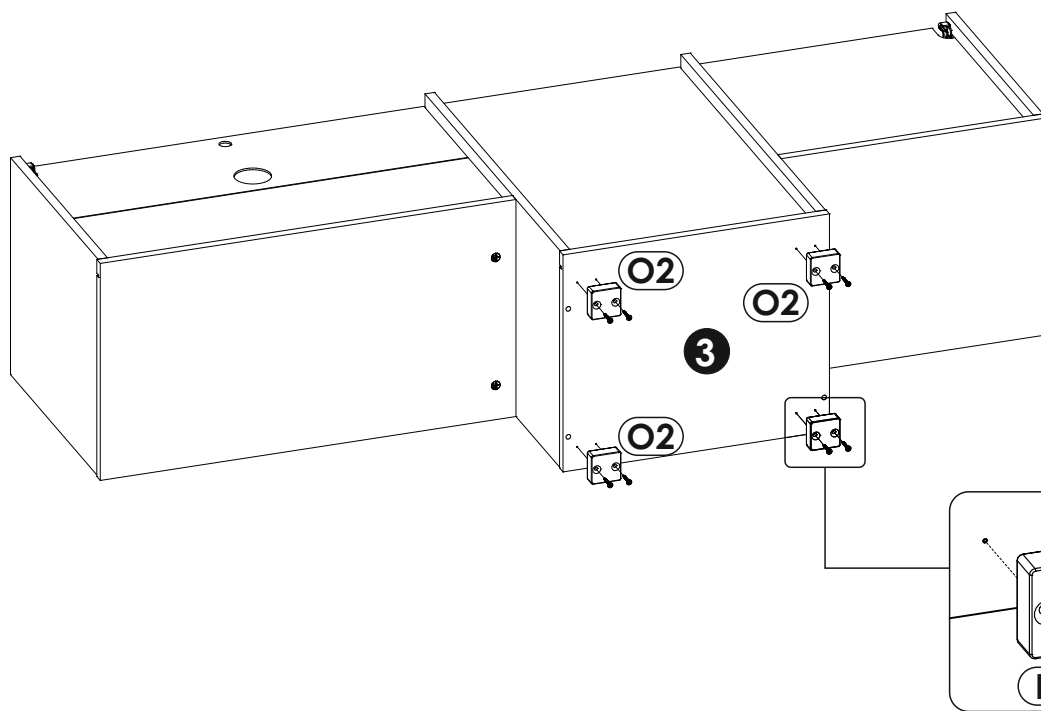
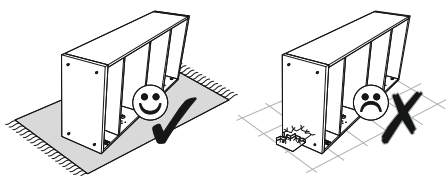
16 ▶



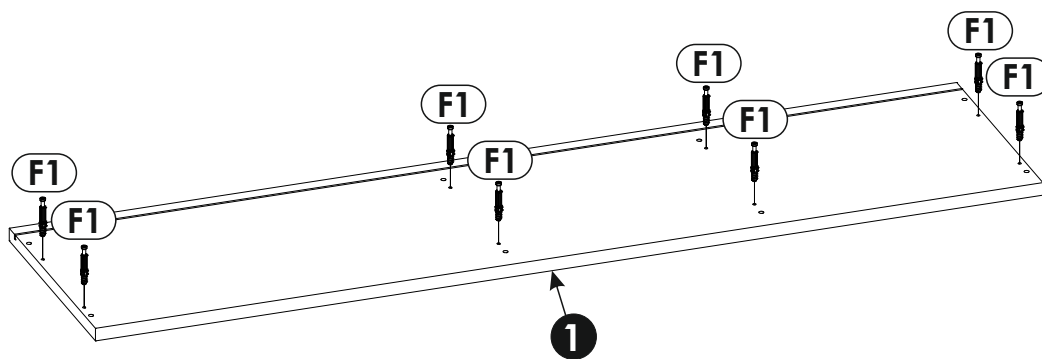
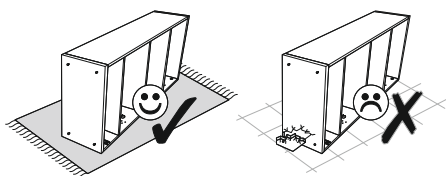
17 ▶



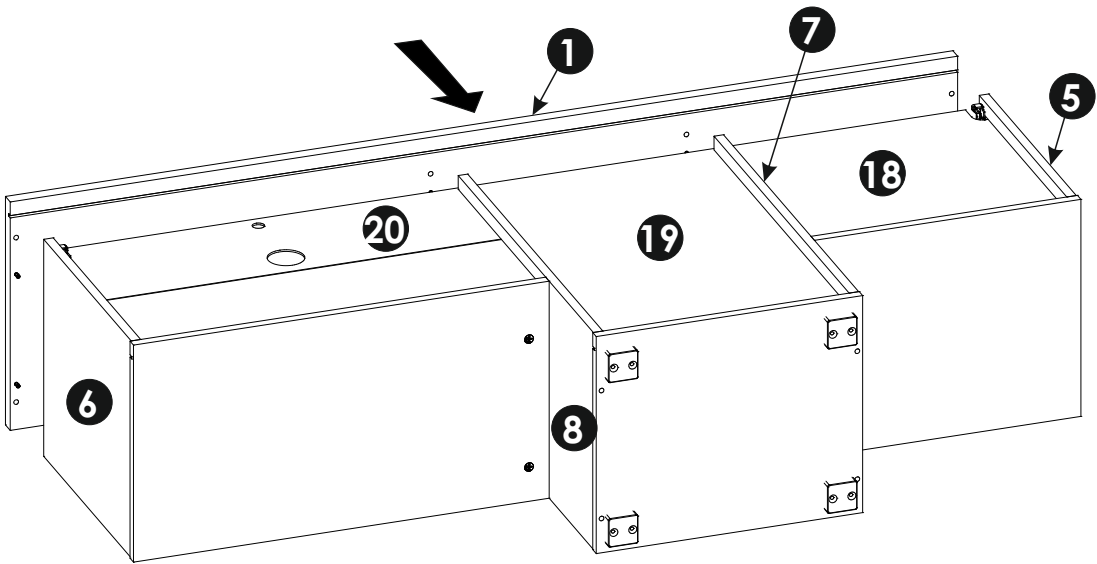
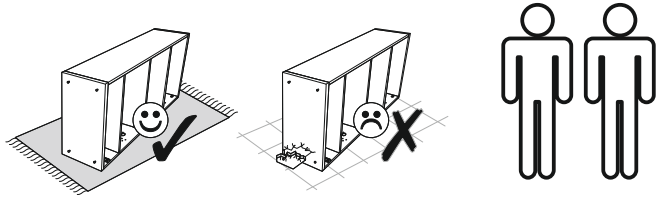
18▶



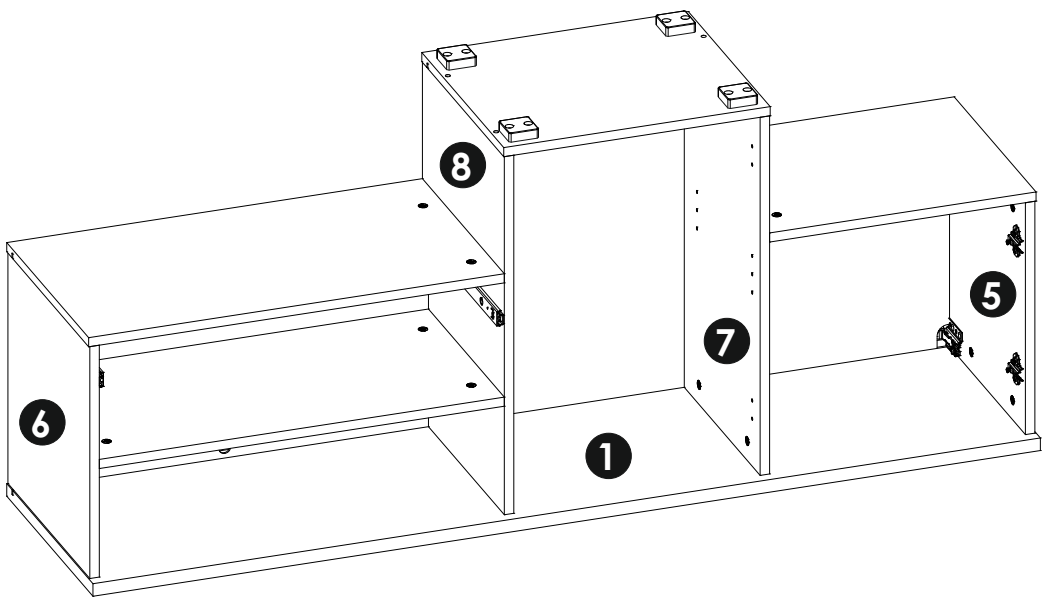
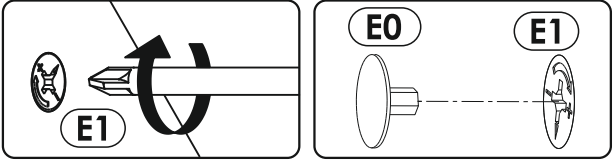
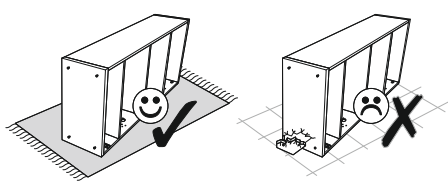
19▶

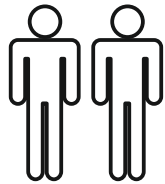
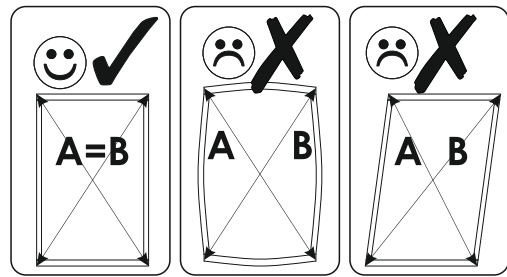
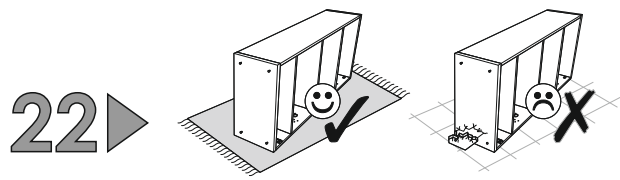


20 ▶

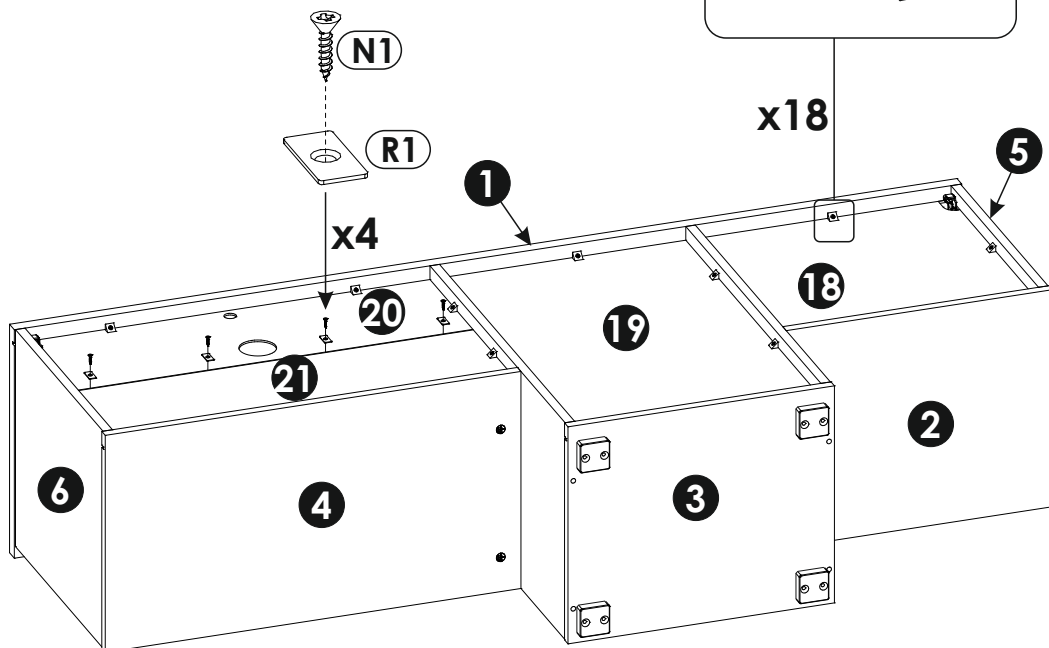
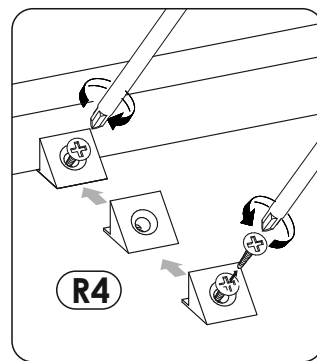
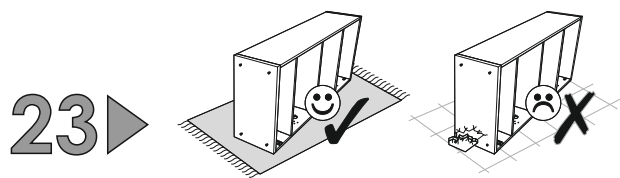
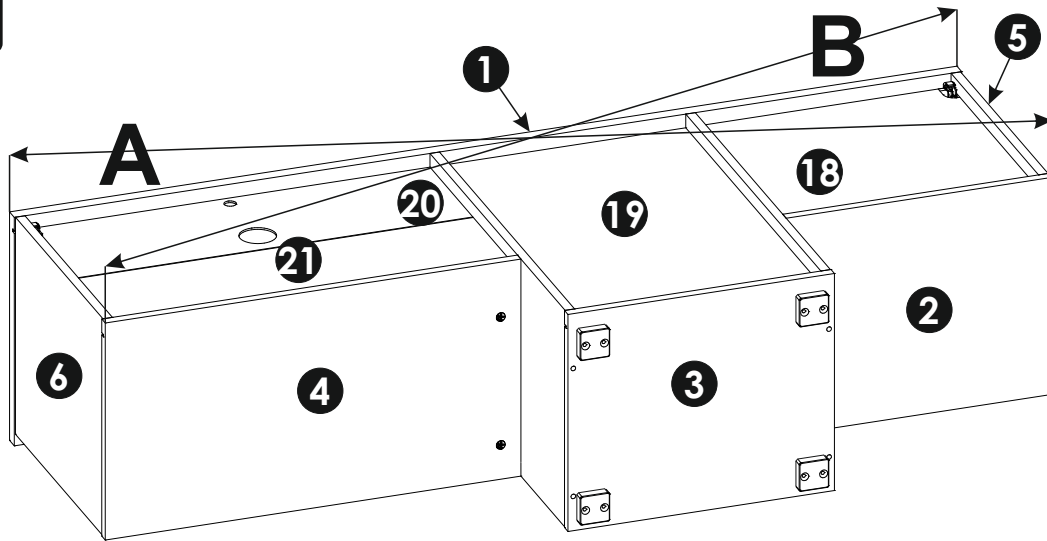


21 ▶

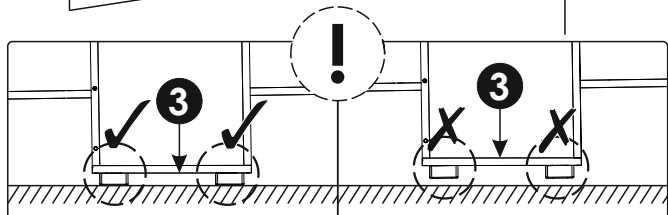
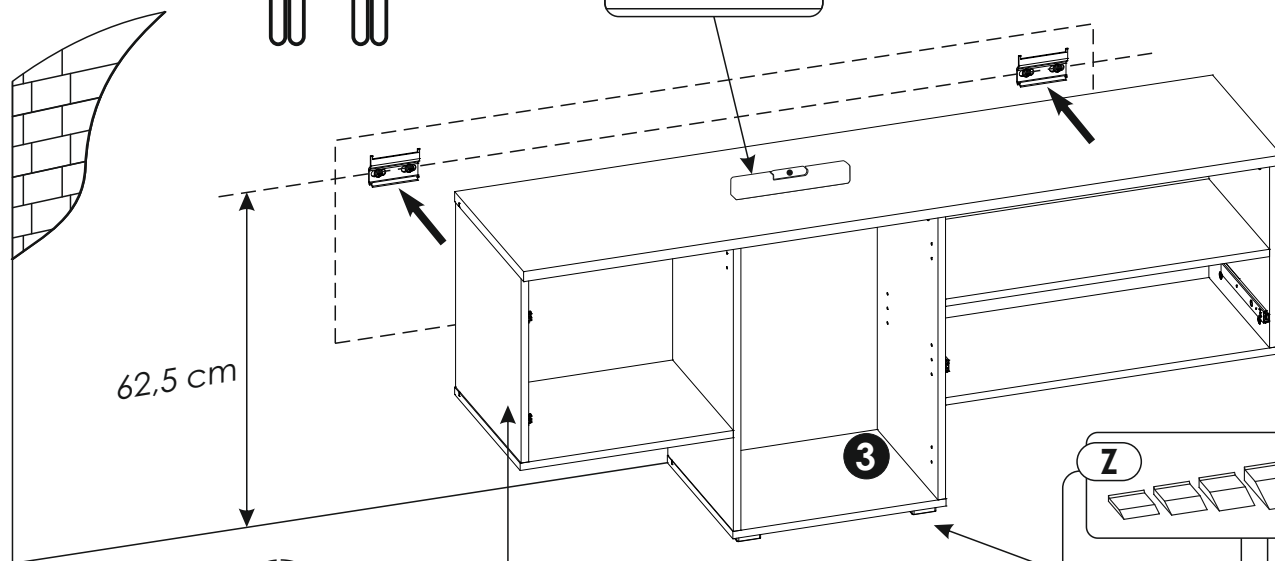
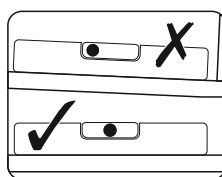
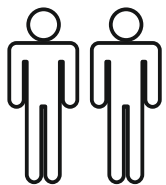




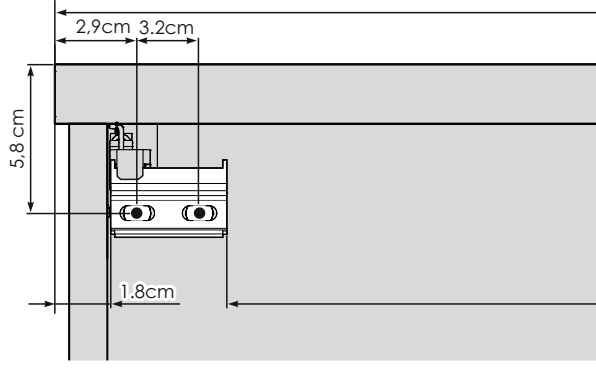
A=B



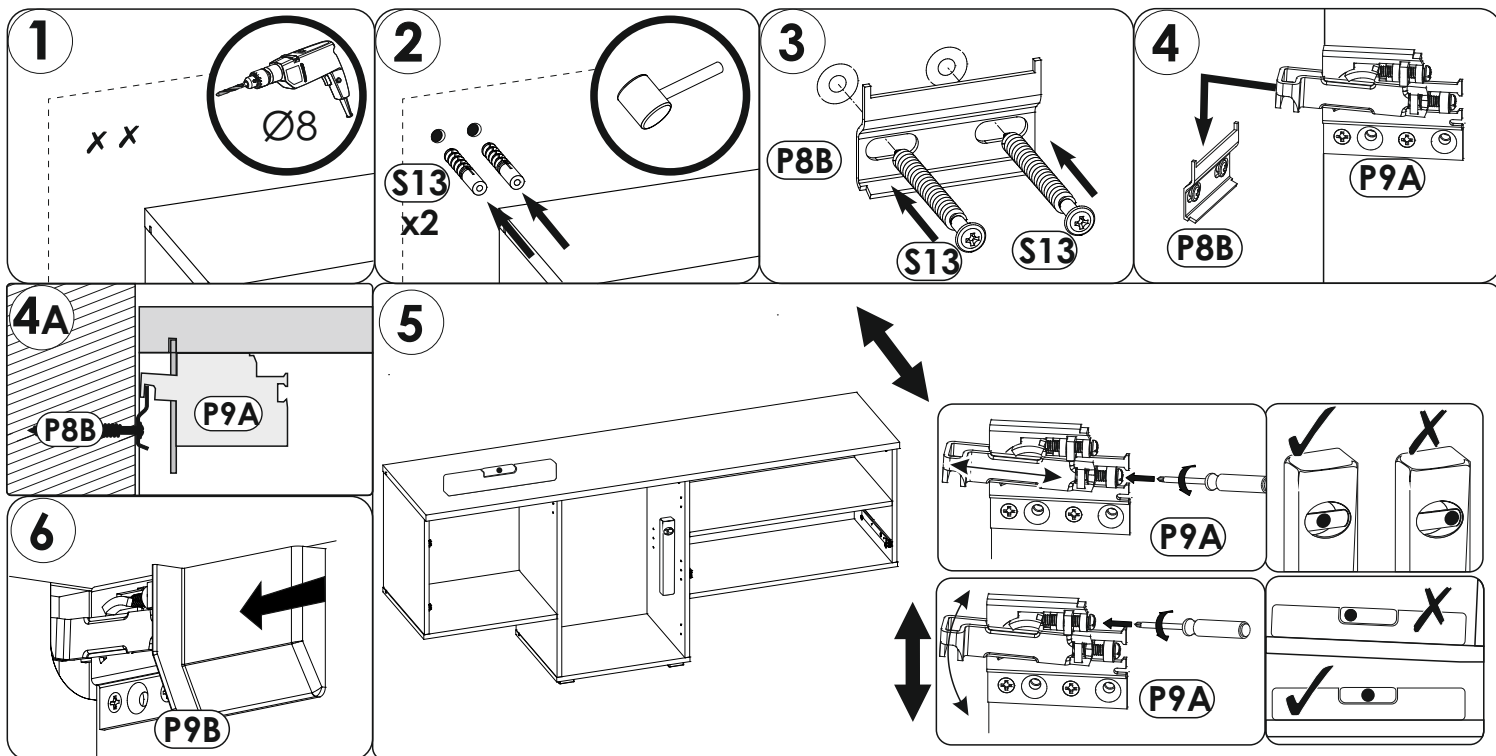
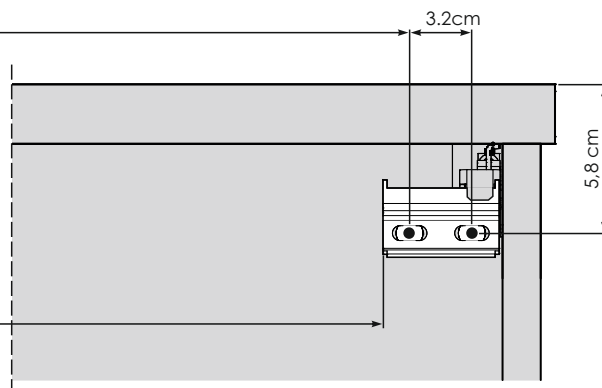
24 ▶



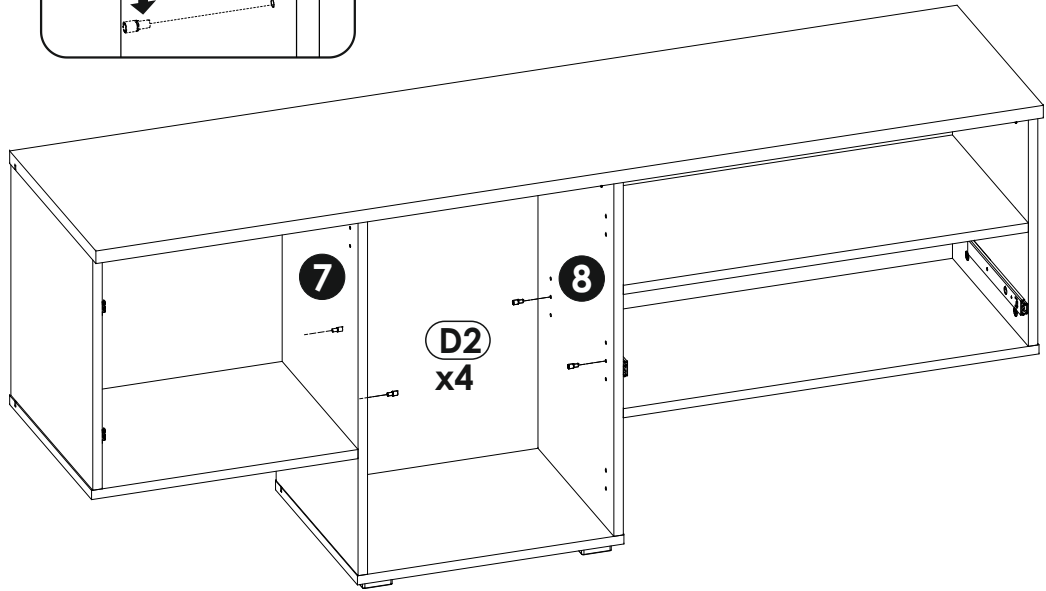
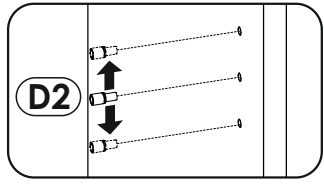
153,8 cm



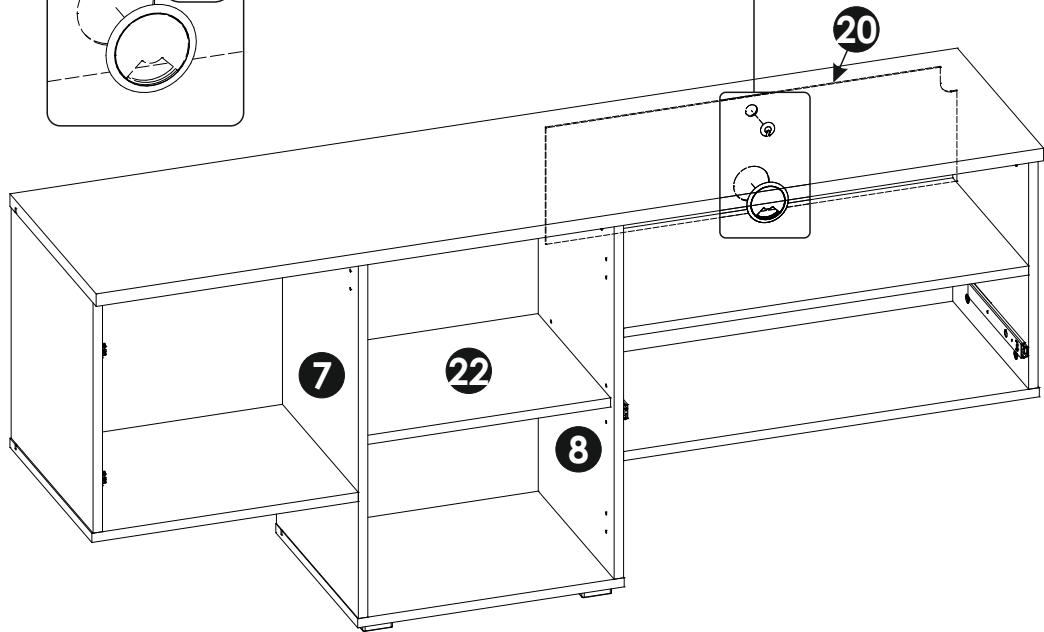
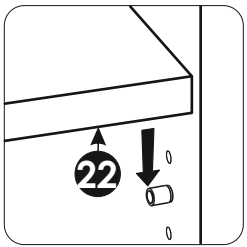
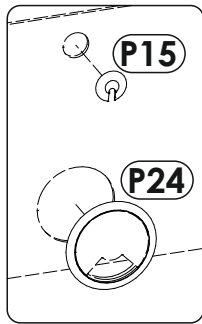
145,8 cm



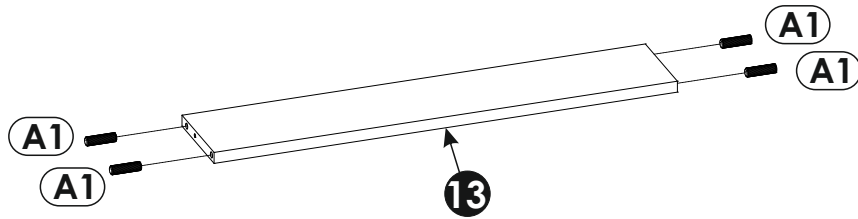
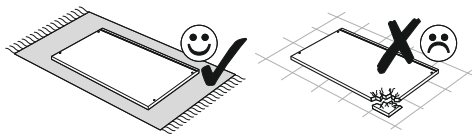
25 ▶



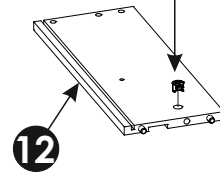
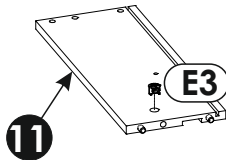
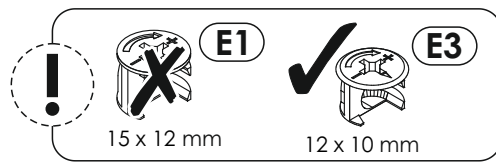
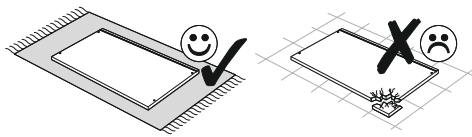
26 ▶



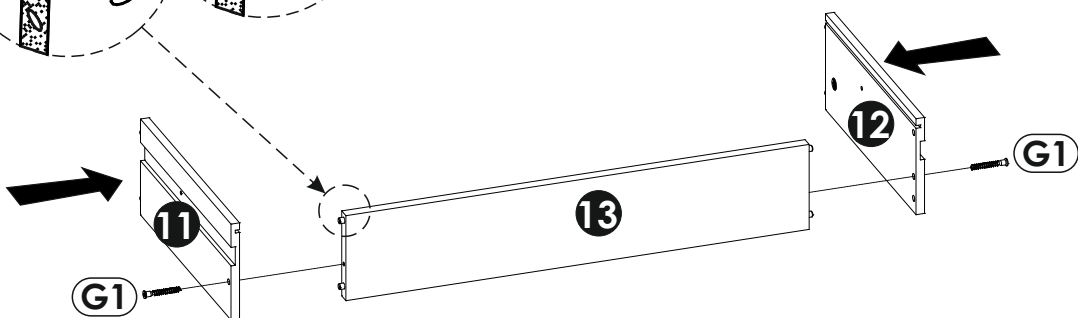
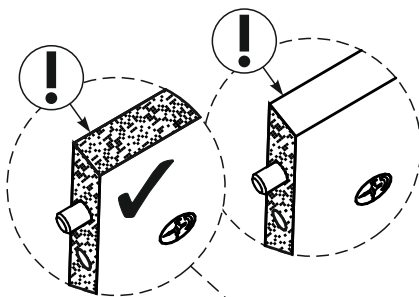
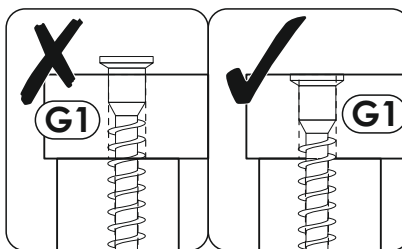
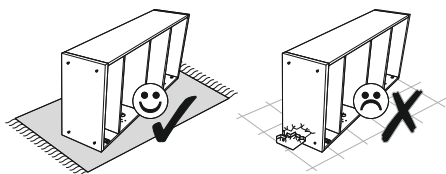
27 ▶



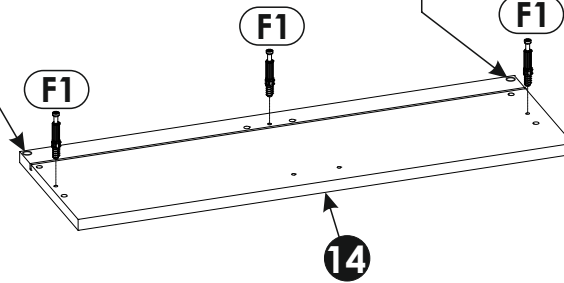
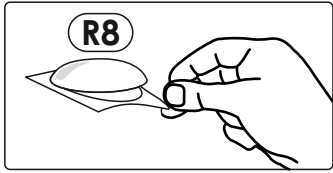
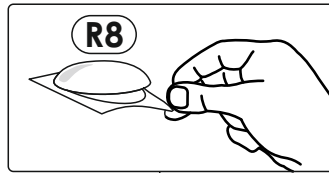
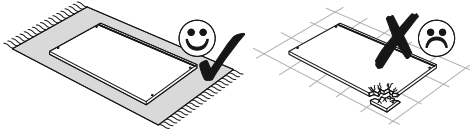
28 ▶



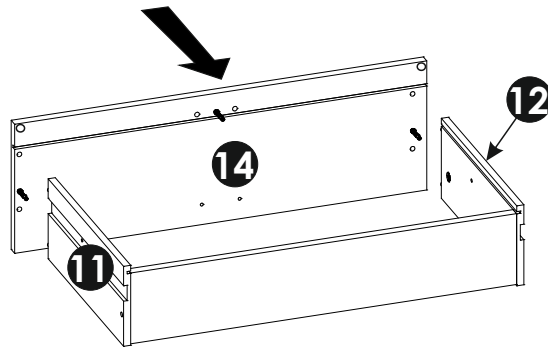
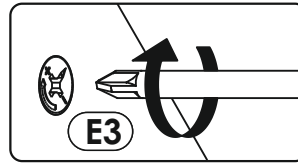
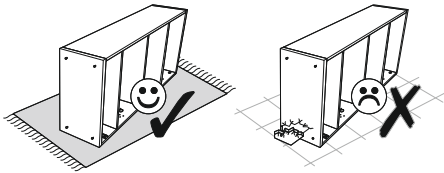
29 ▶



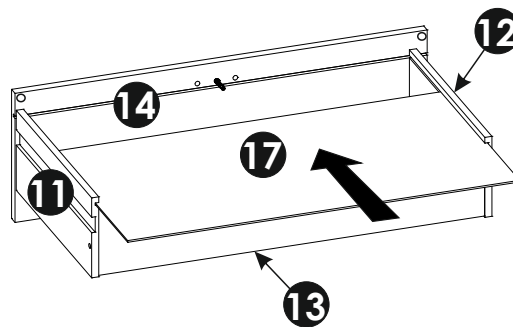
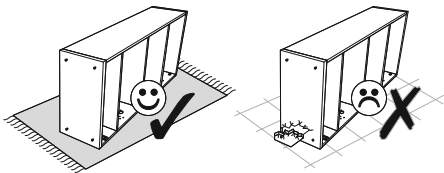
30 ▶

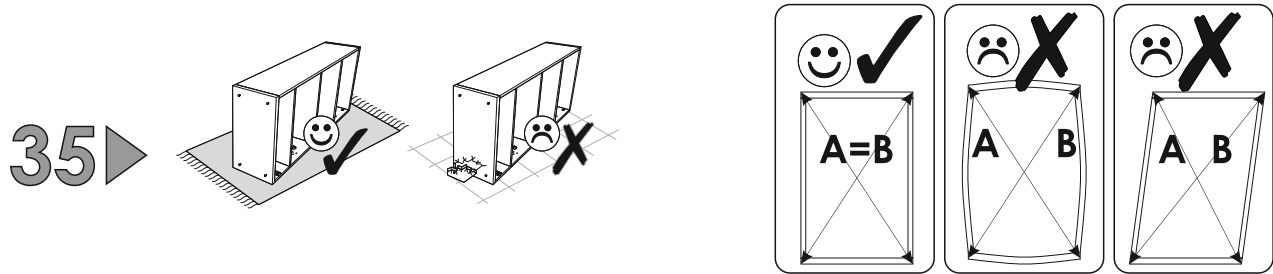
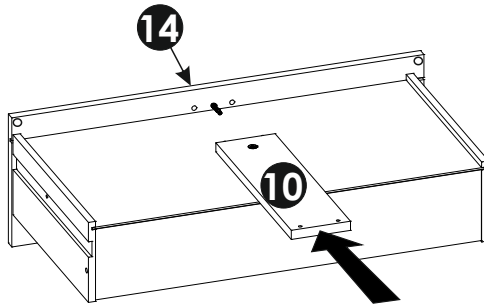
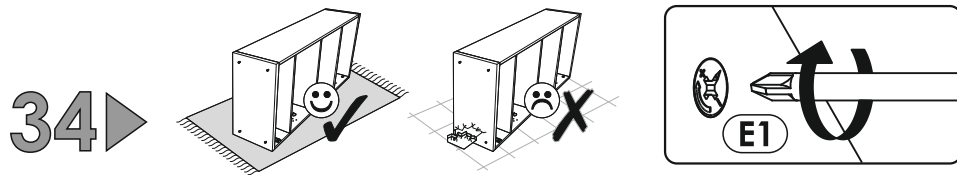
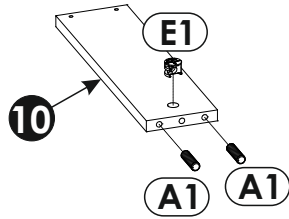
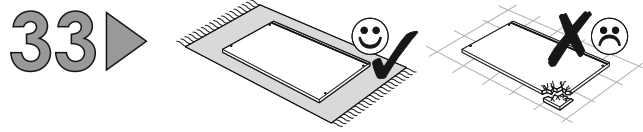


31 ▶

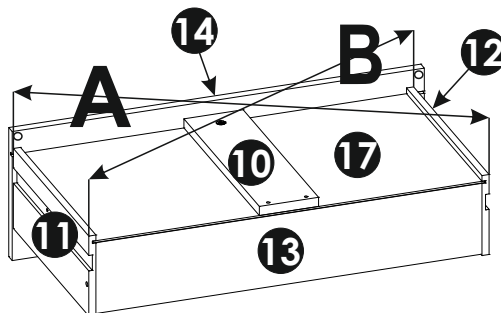


32 ▶

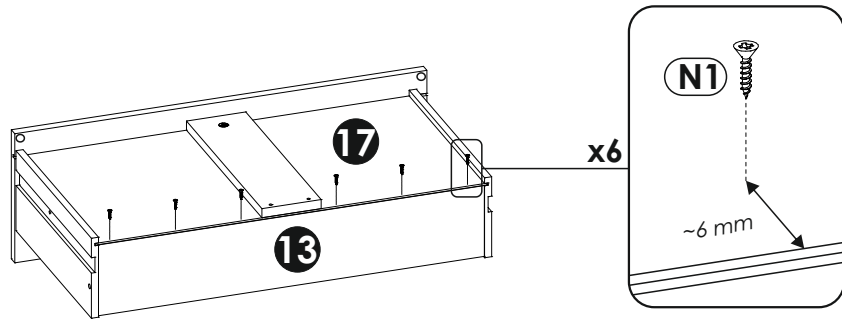
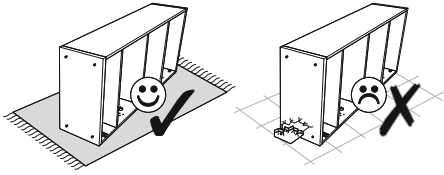




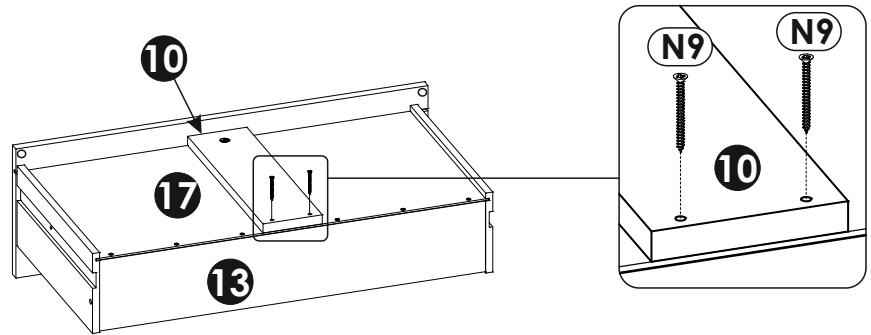
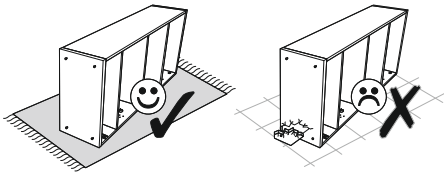
A=B



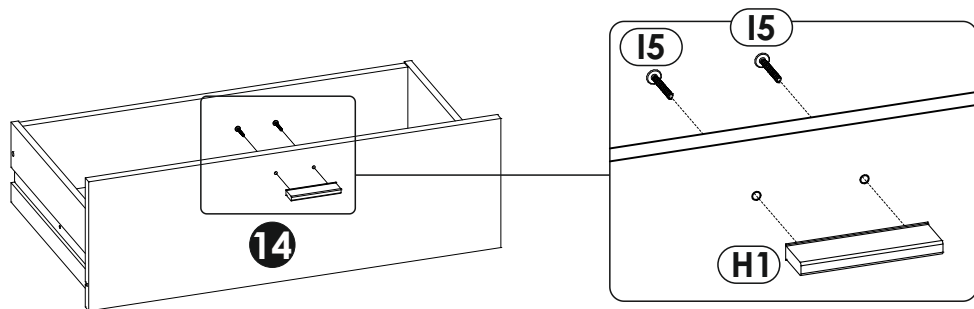
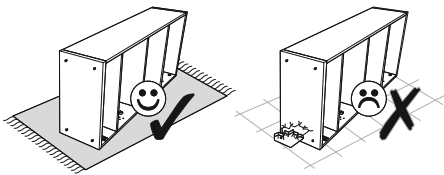
36 ▶



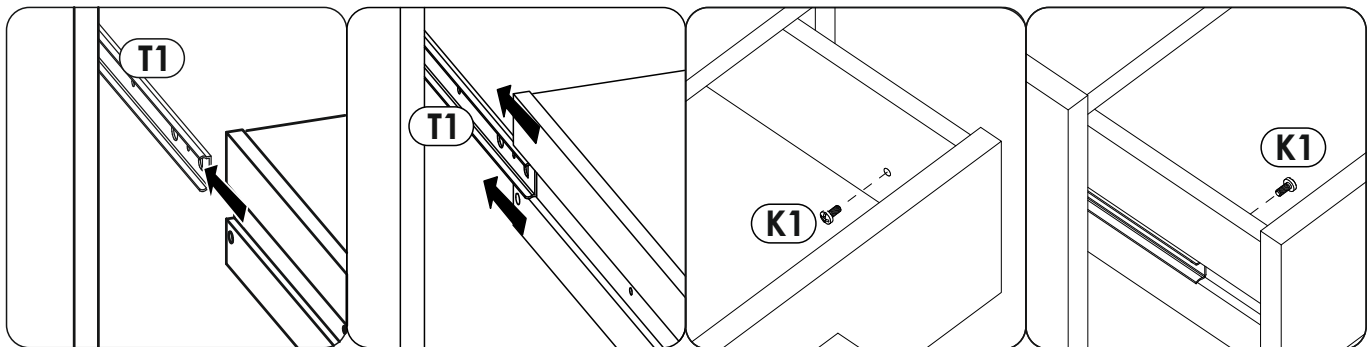
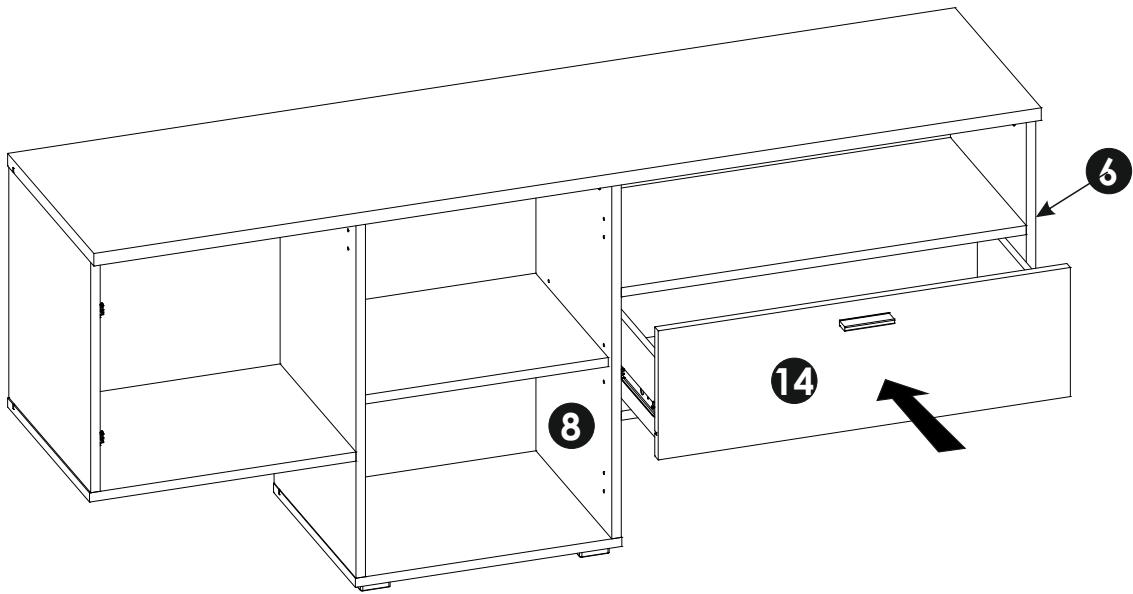
37 ▶



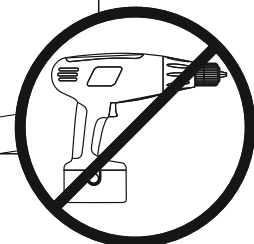
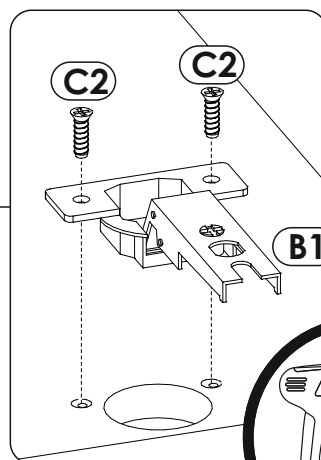
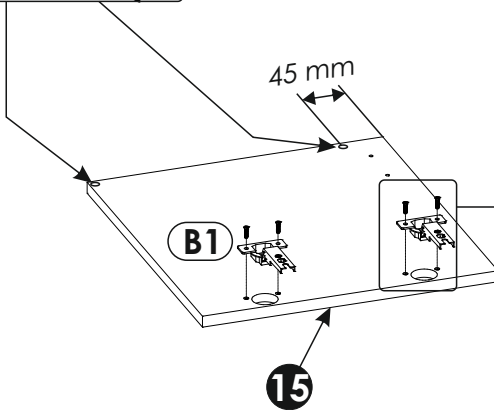
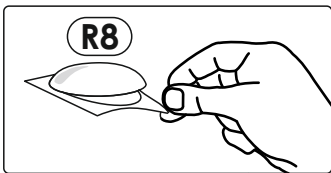
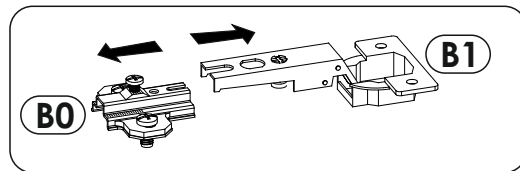
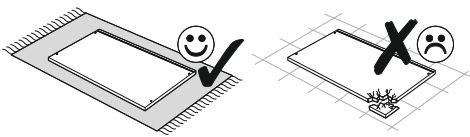
38 ▶



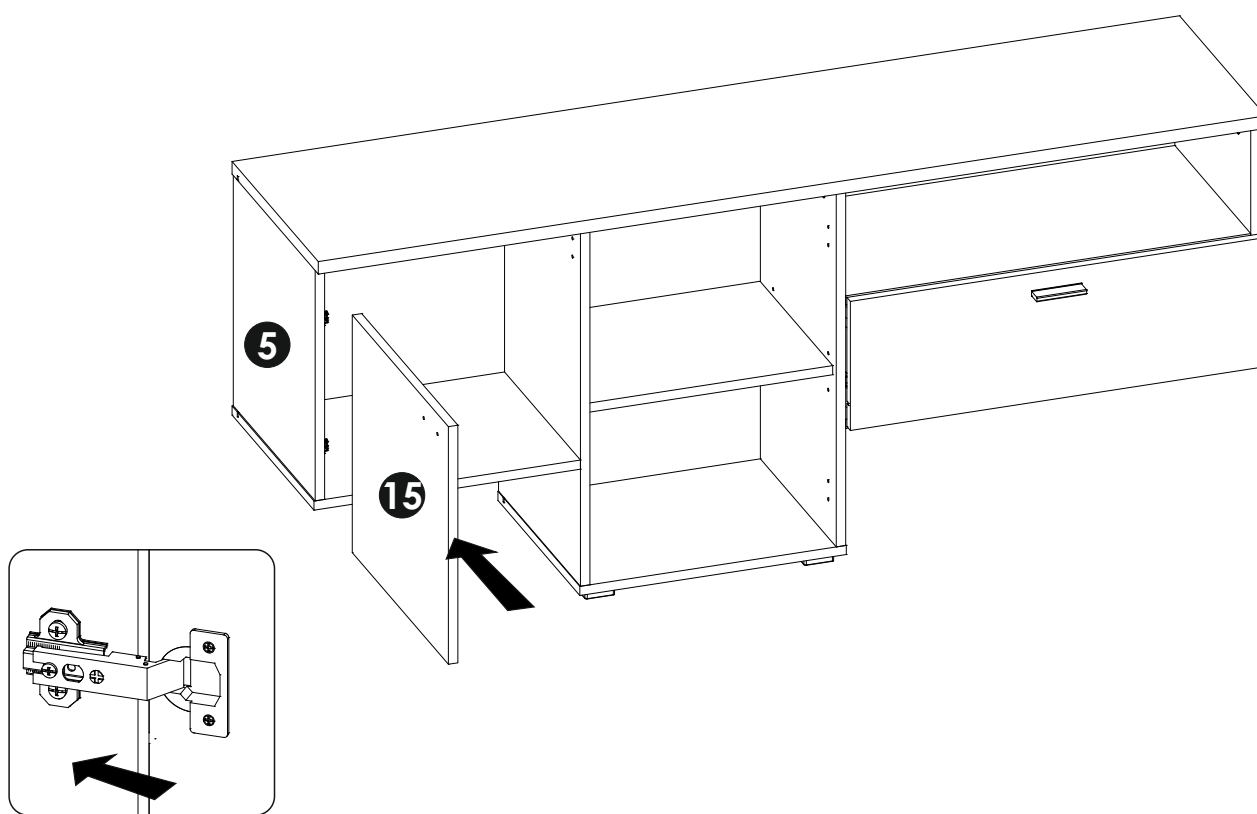
39 ▶



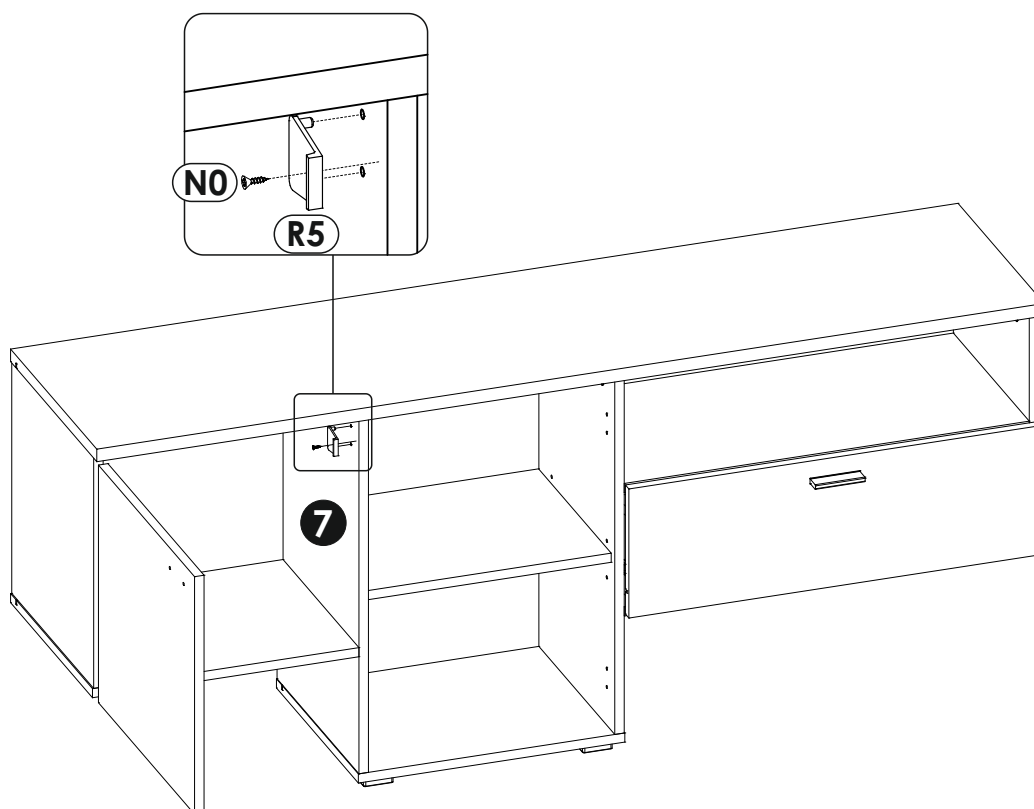
40 ▶



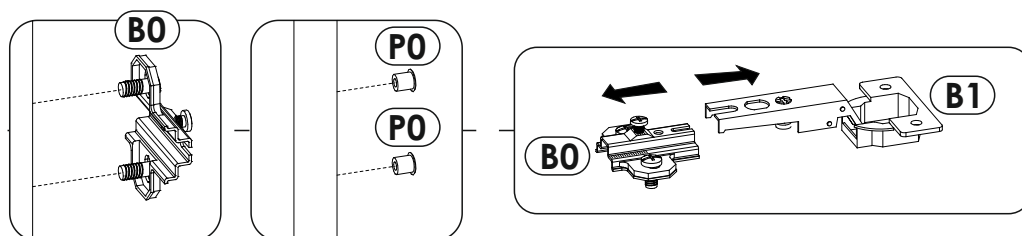
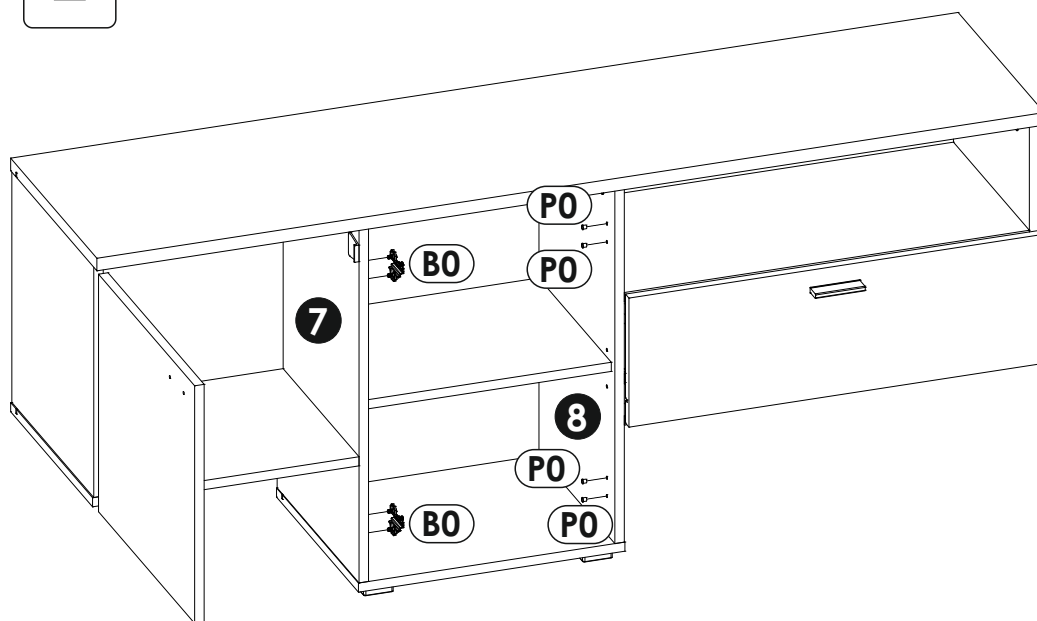
41 ▶



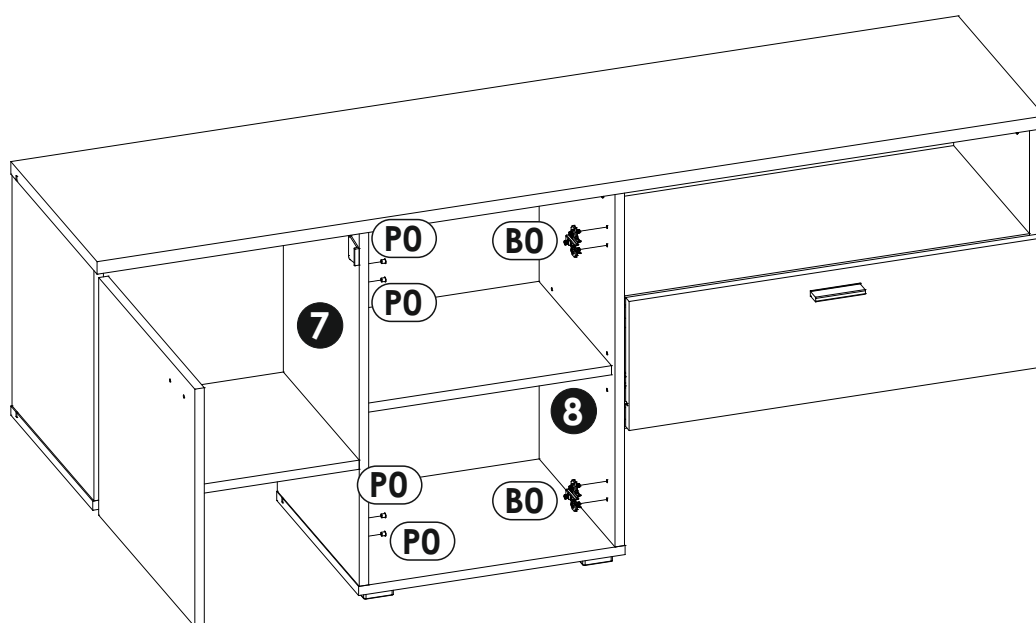
42 ▶



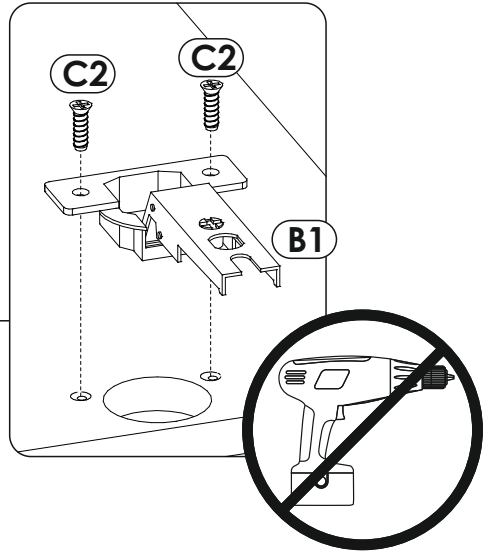
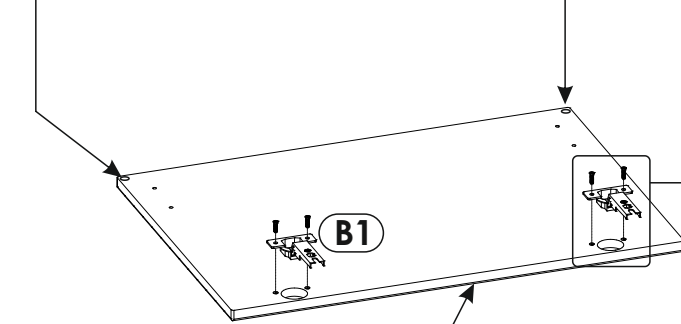
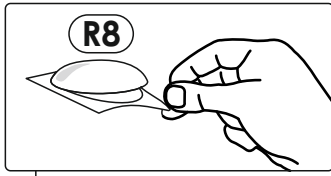
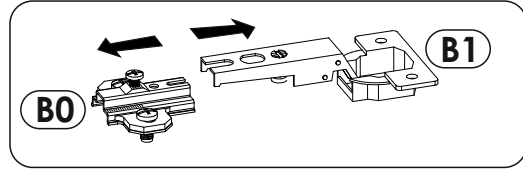
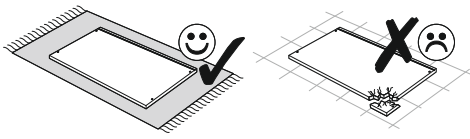
43 ▶ **L**



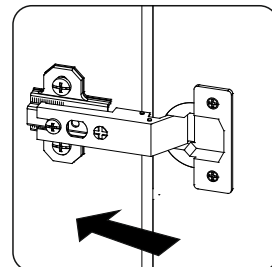
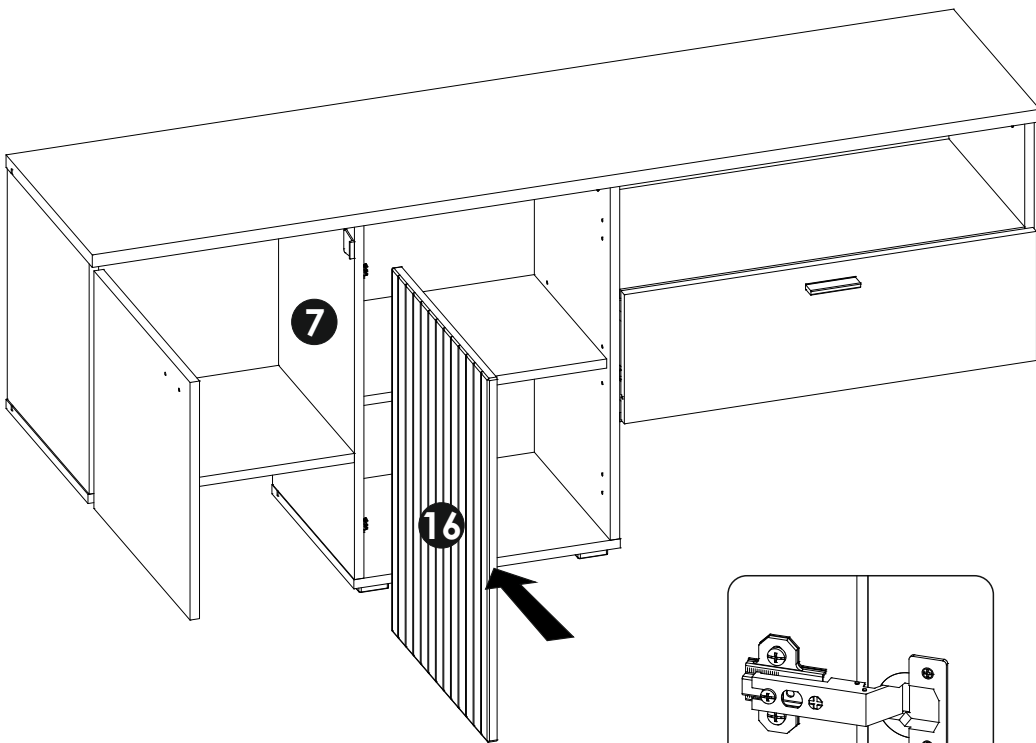
R



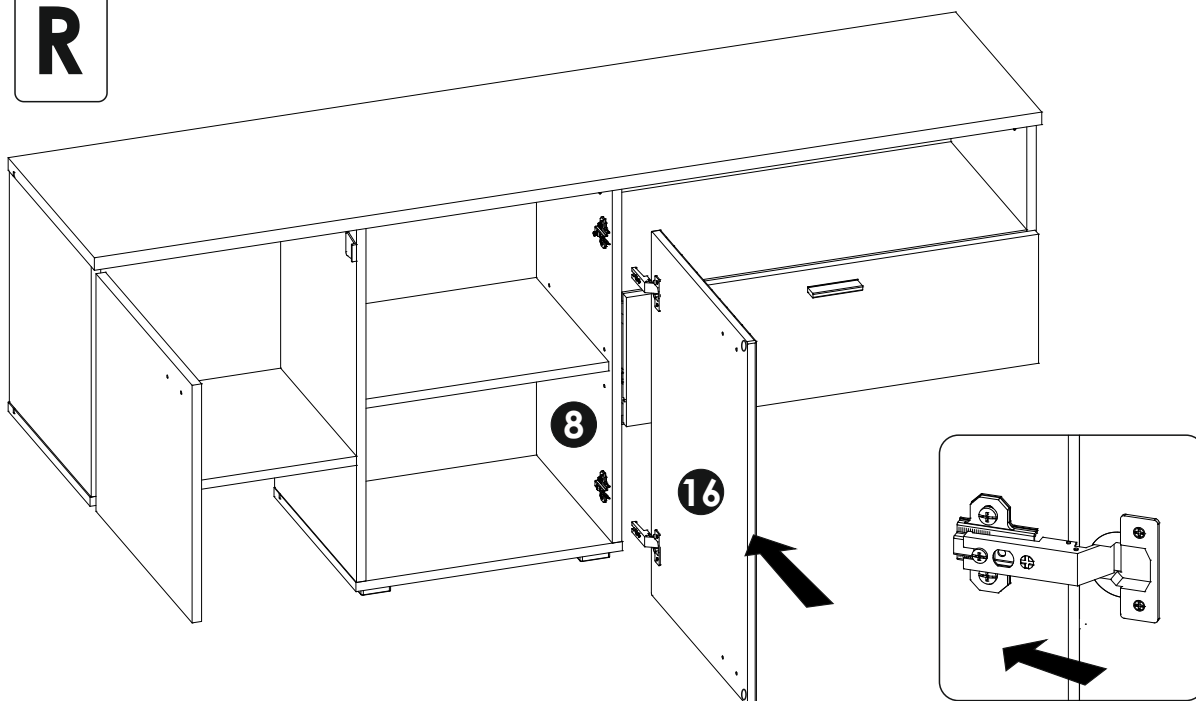
44 ▶



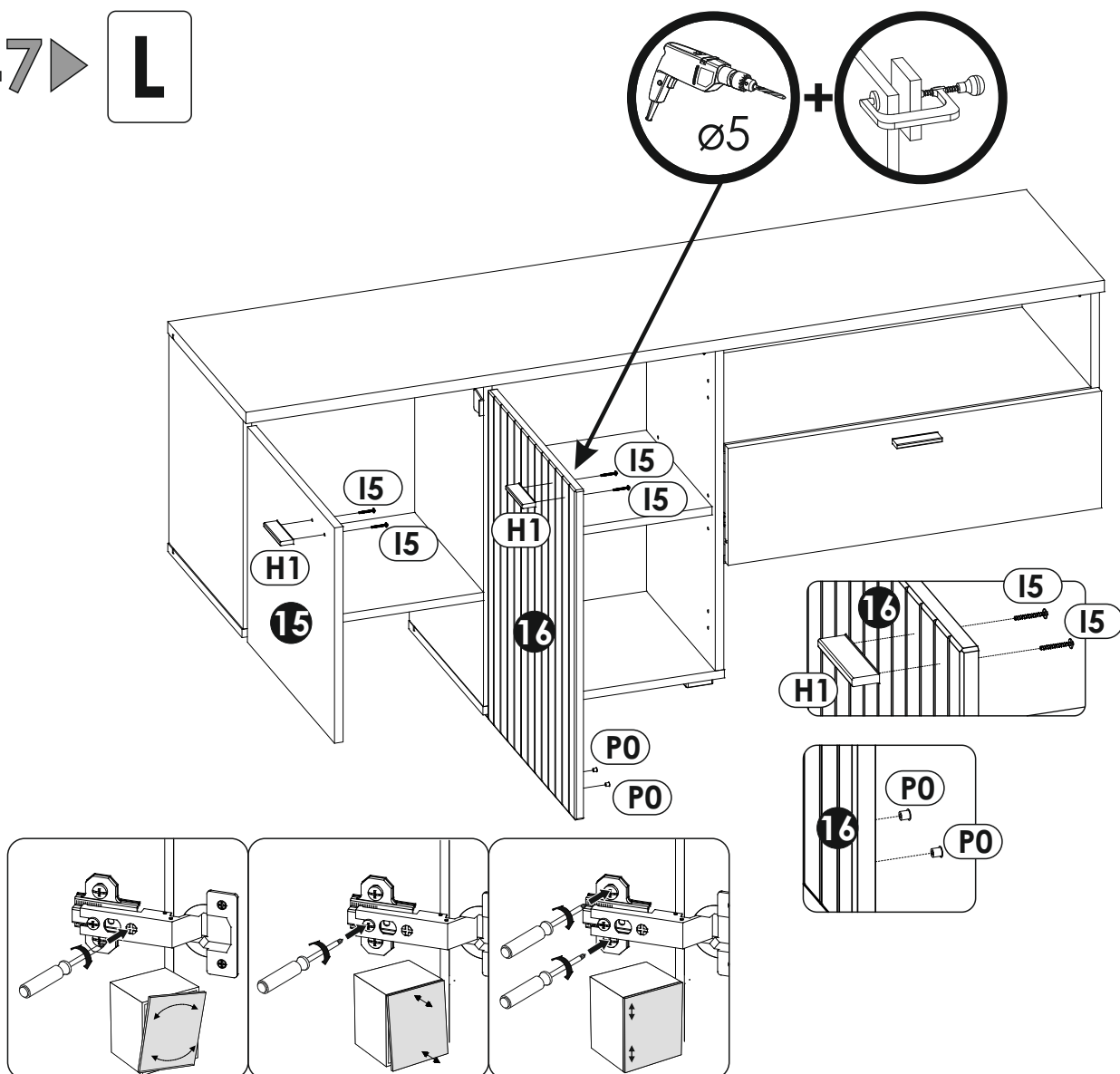
45 ▶



46 ▶ **R**

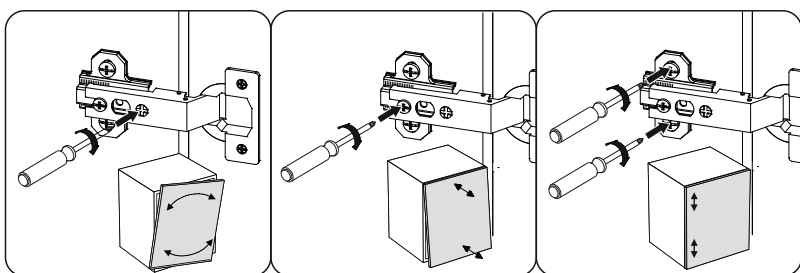
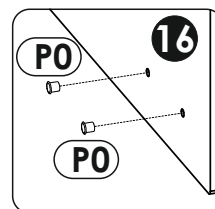
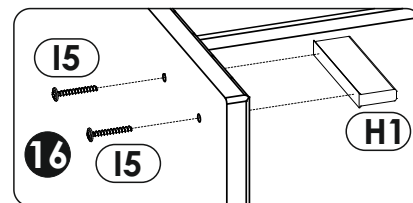
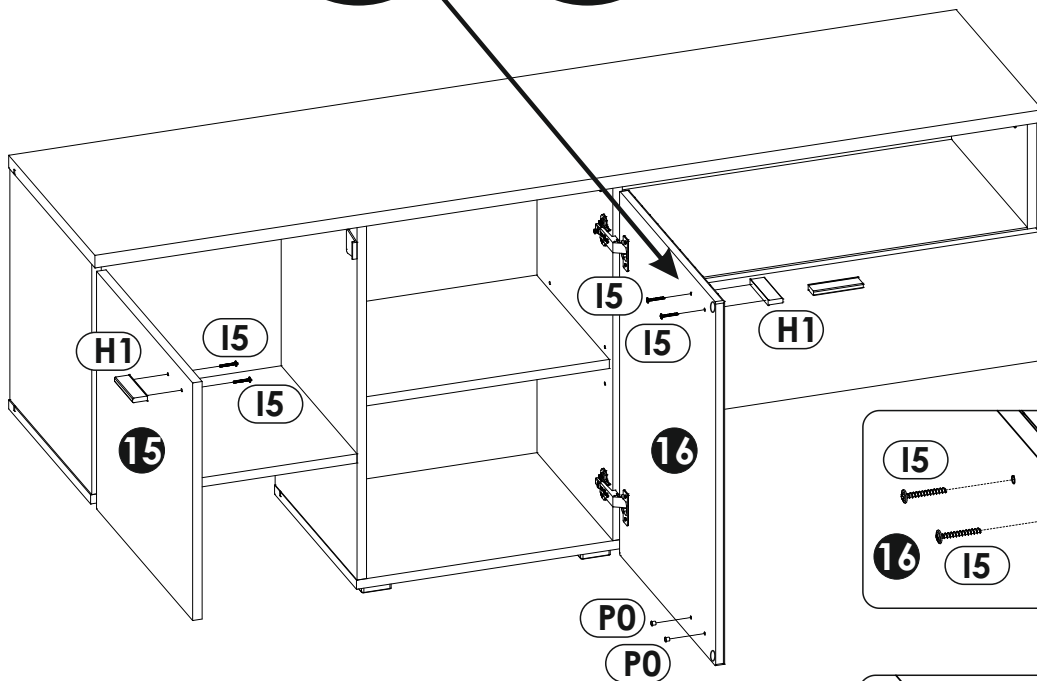
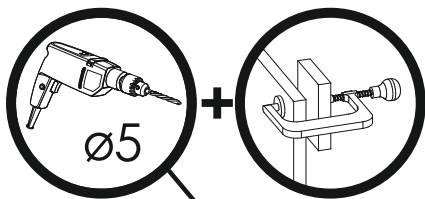


47 ▶ **L**



48 ▶

R



49 ▶

