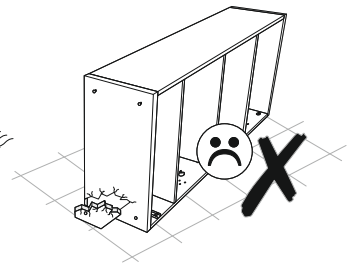
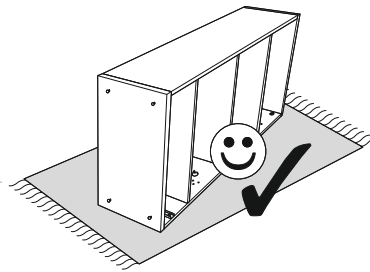
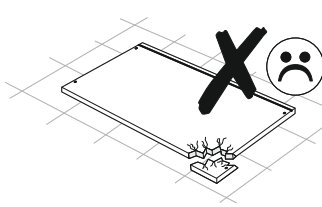
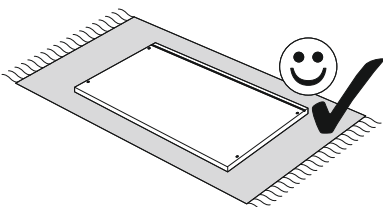
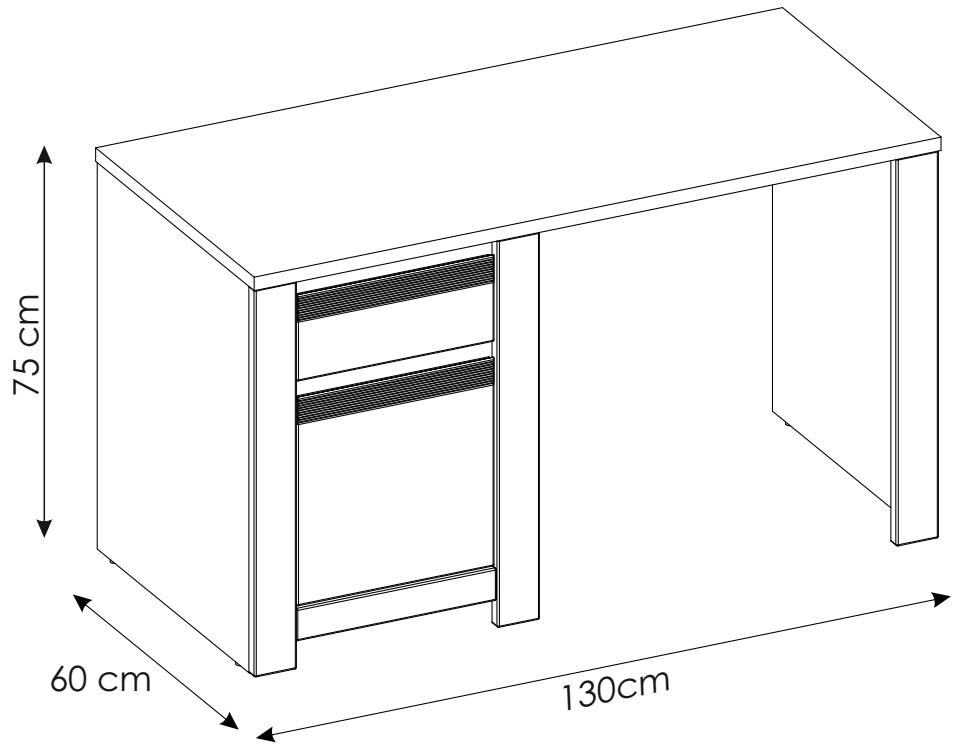
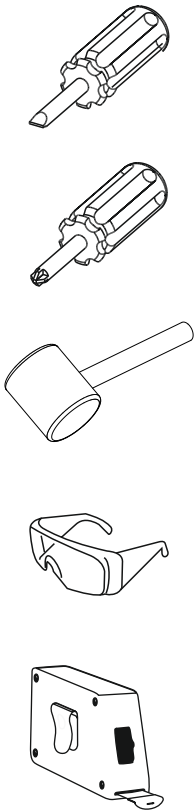
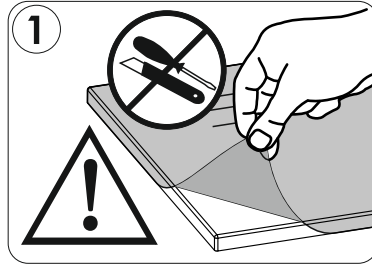
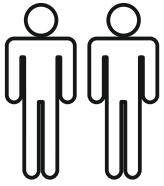
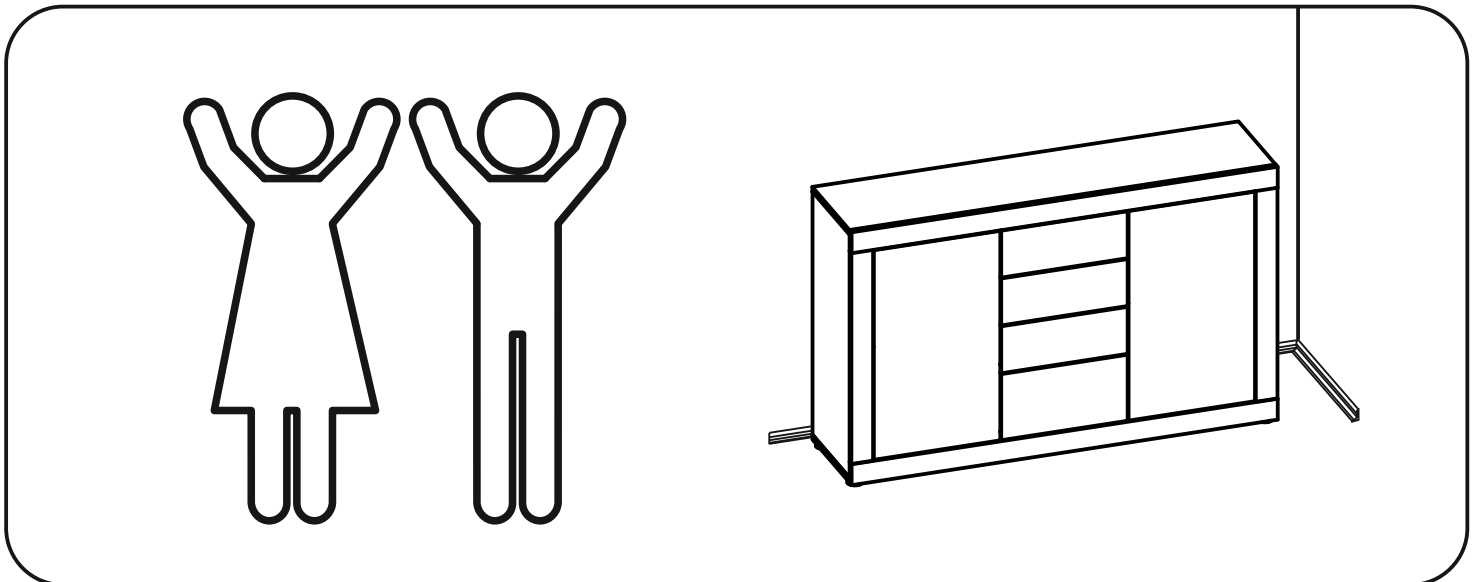
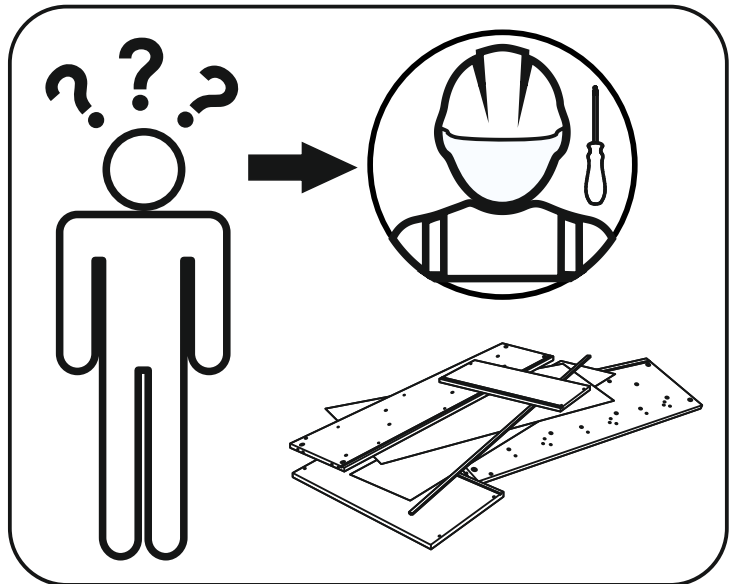
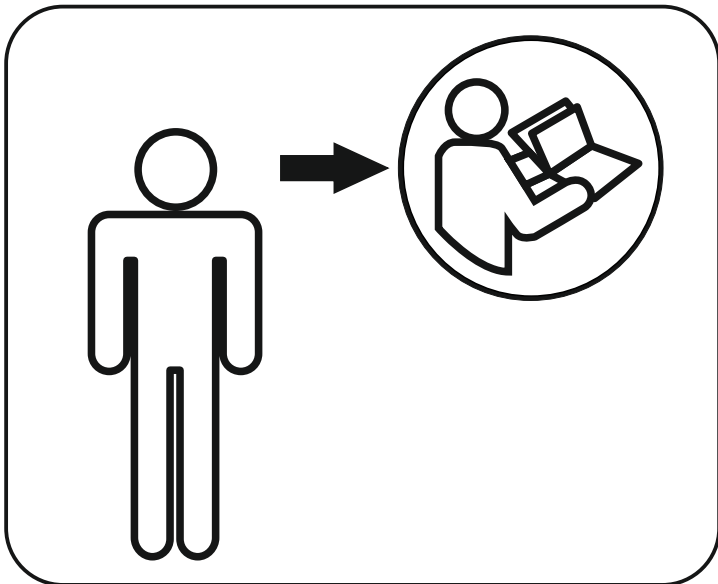
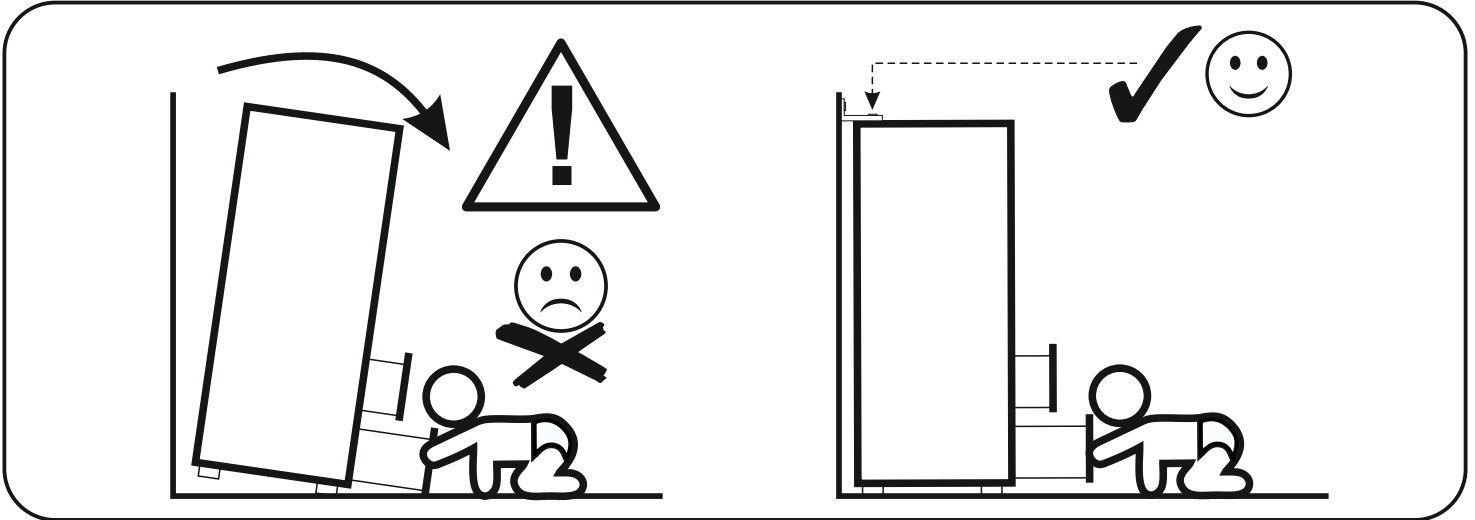
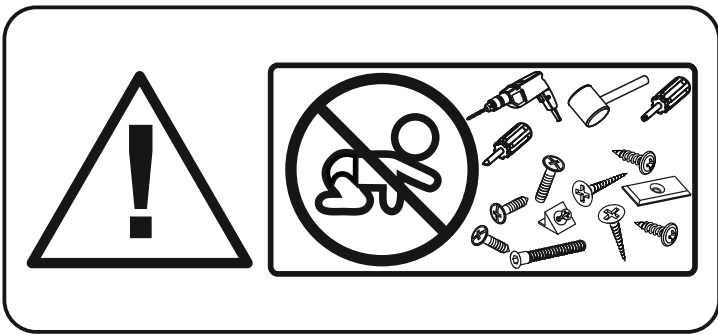
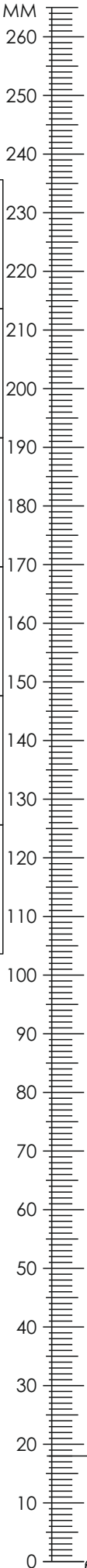


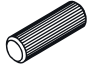
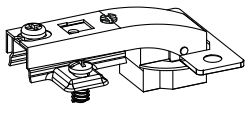


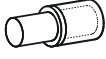
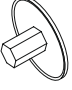

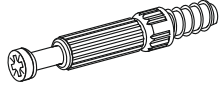

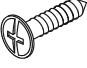
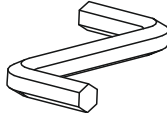

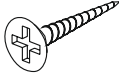

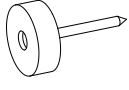
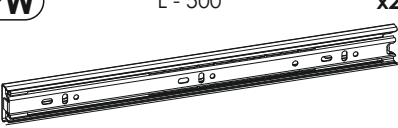
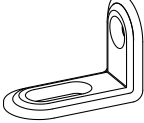

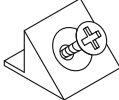

NVIB01

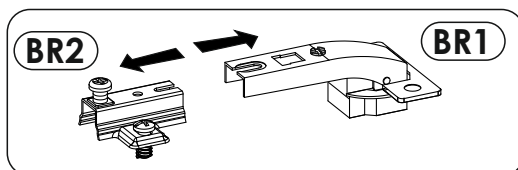
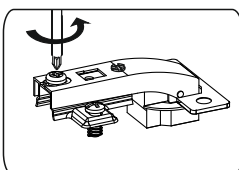




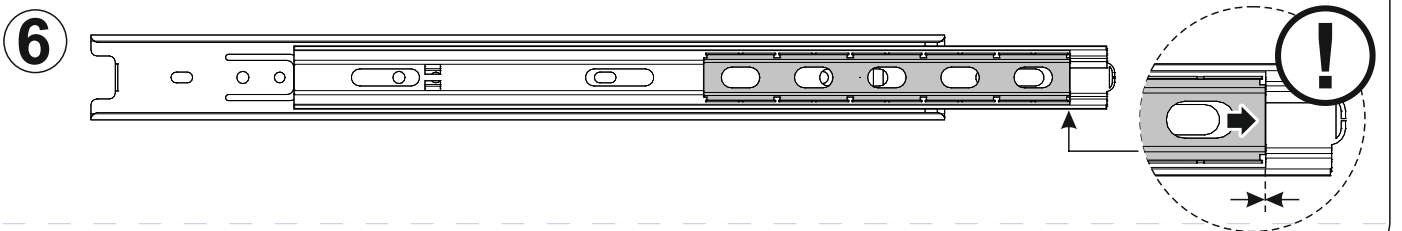
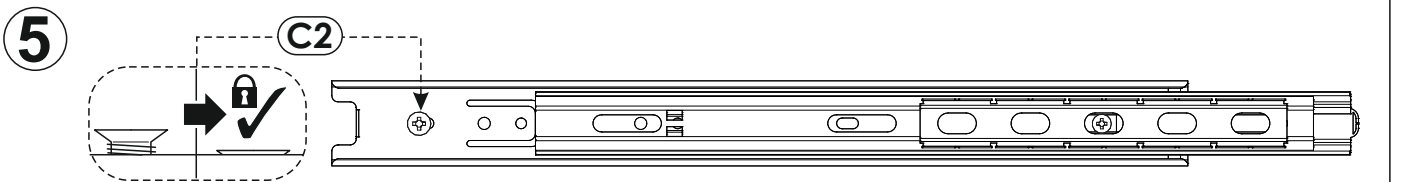
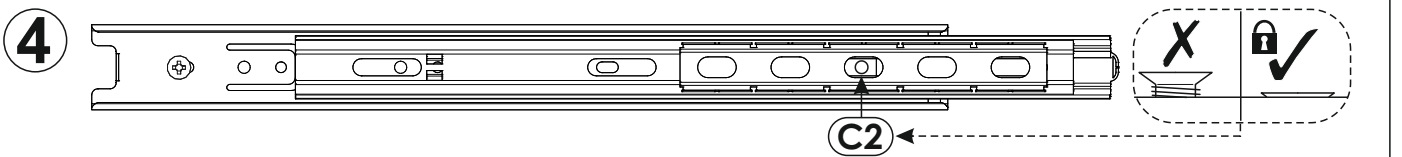
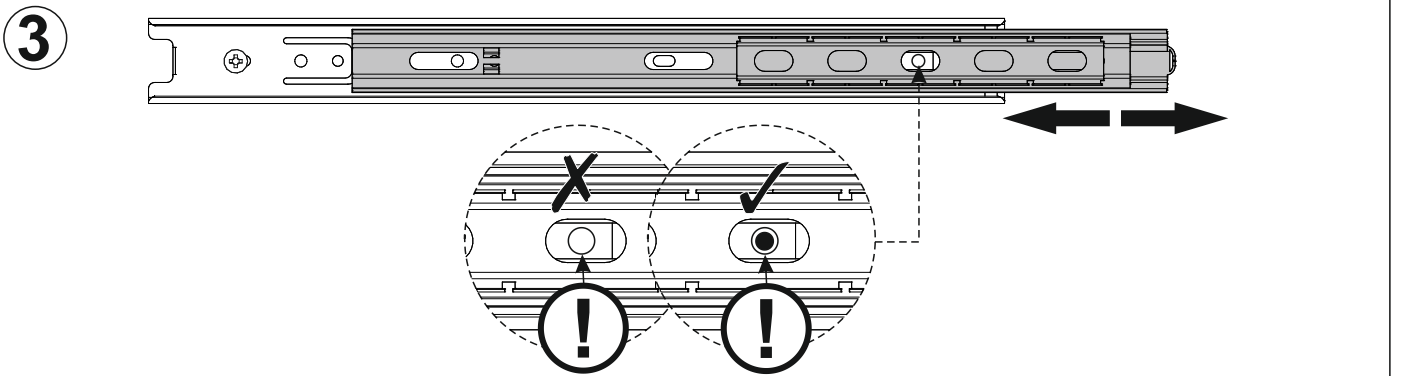
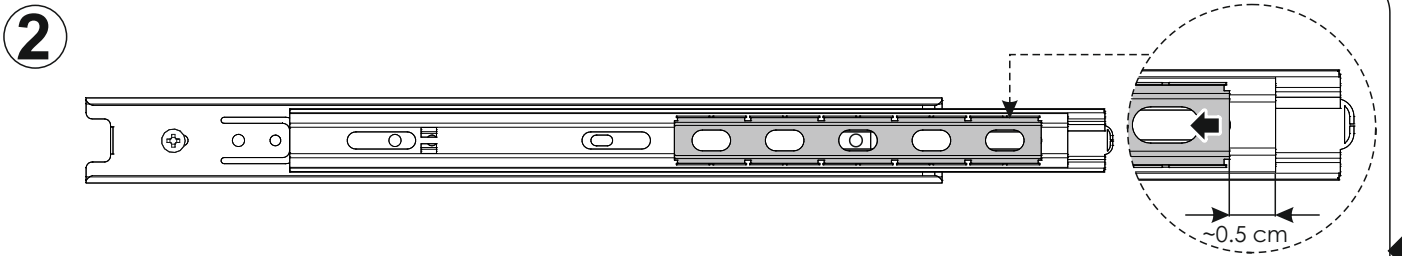
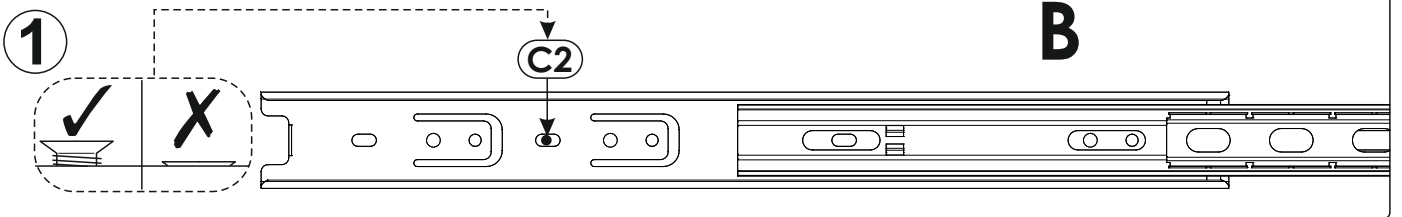
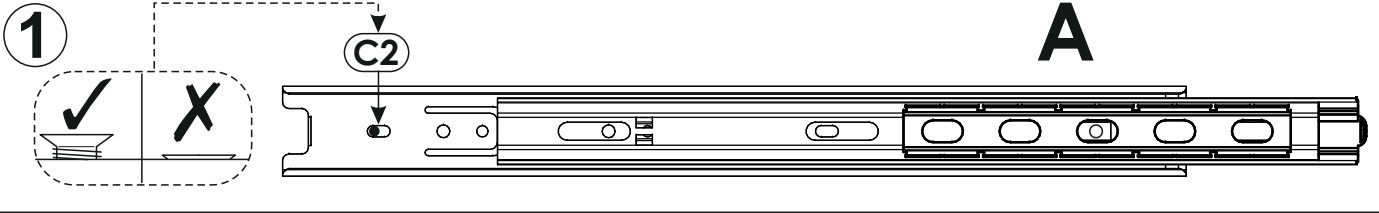
NVIB01



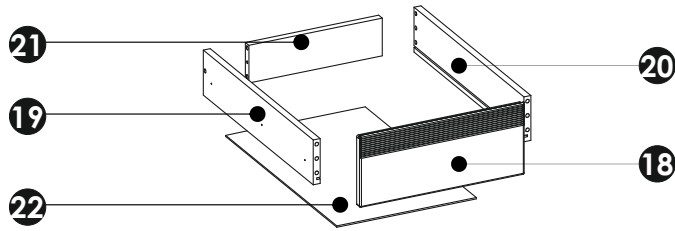
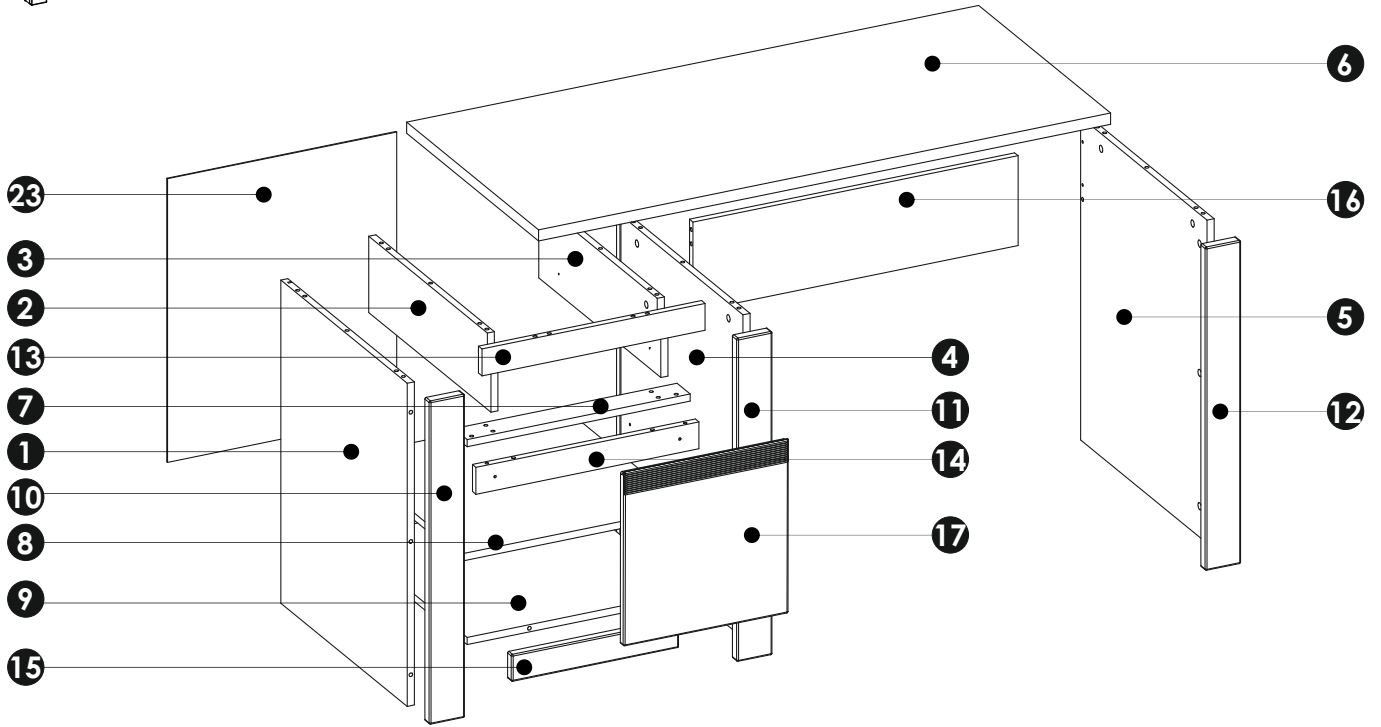
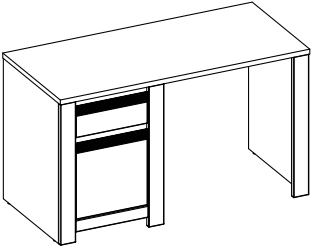
A1 8 x 35 mm x39 	BR1 + BR2 x2 	C1 4 x 13 mm x4 
C2 5 x 13 mm x4 	D2 x4 	E0 x13 
E1 15 x 12 mm x33 	F1 6 x 34 mm x33 	G1 7 x 50 mm x6 
I18 3,5 x 27 mm x4 	M x1 	N1 3 x 16 mm x10 
N2 3,5 x 16 mm x8 	N3 3 x 13 mm x1 	O2 x6 
PW L - 500 x2 	Q2 x1 	Q12 x1 
R4 x6 	R8 x4 	



NVIB01



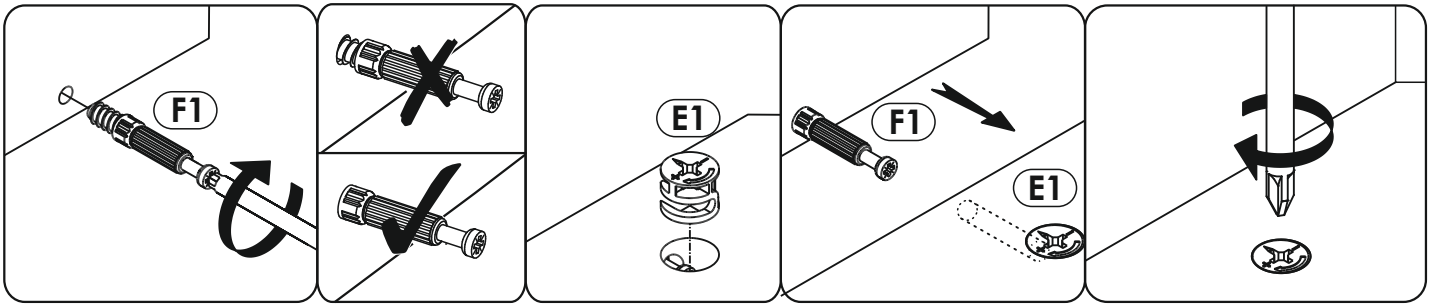
NVIB01



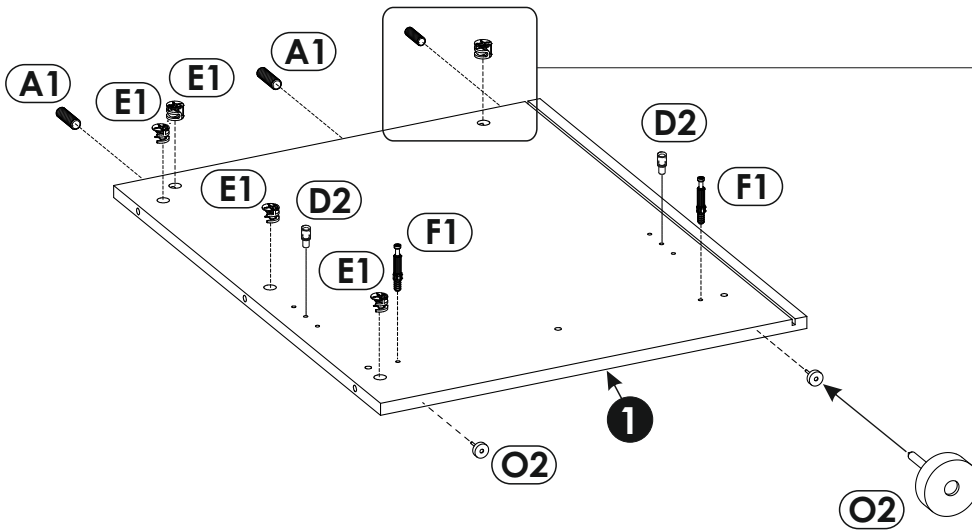
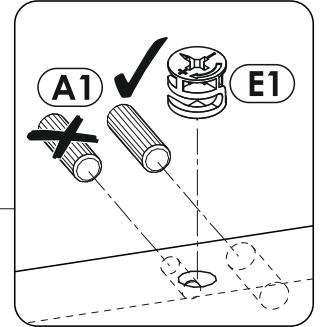
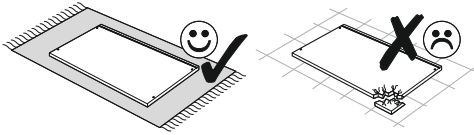
1	720	575	16 x1	1/2
2	170	555	16 x1	1/2
3	170	555	16 x1	1/2
4	720	575	16 x1	1/2
5	720	575	16 x1	1/2
6	1300	600	25 x1	2/2
7	507	60	16 x1	1/2
8	507	540	16 x1	1/2

9	507	555	16 x1	1/2
10	720	80	22 x1	2/2
11	720	80	22 x1	2/2
12	720	80	22 x1	2/2
13	507	60	16 x1	1/2
14	507	60	16 x1	1/2
15	380	60	19 x1	2/2
16	739	200	16 x1	2/2

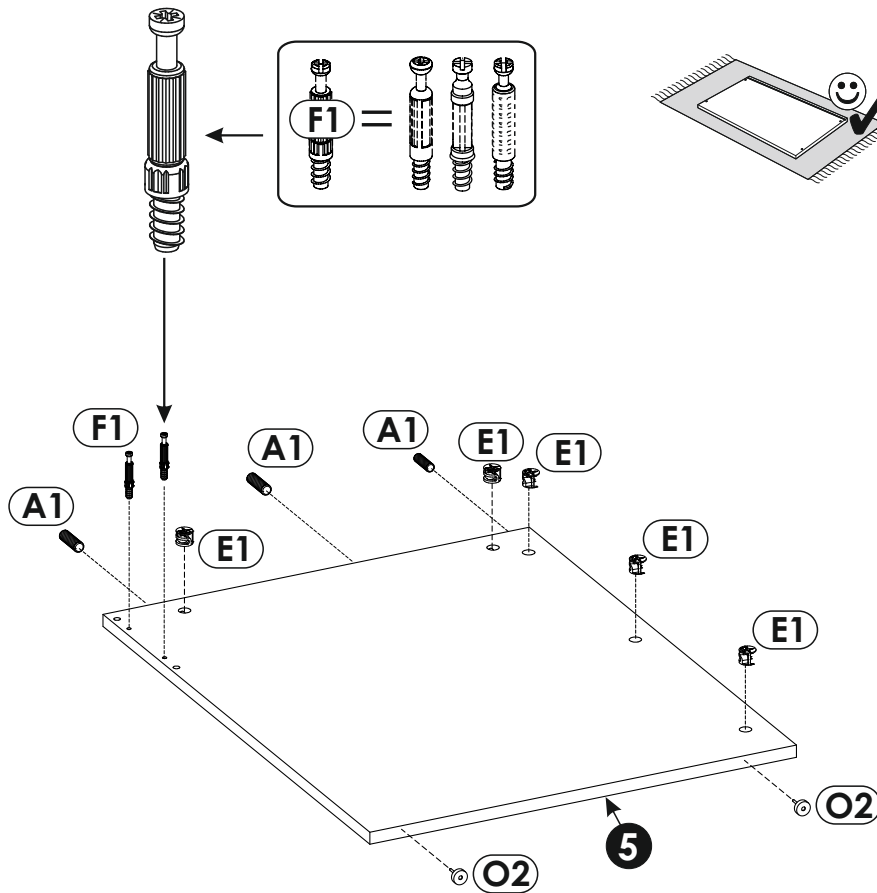
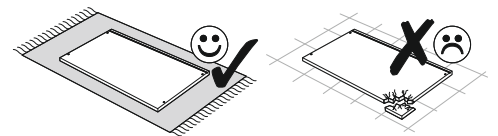
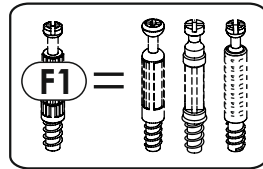
17	387	374	16 x1	2/2
18	374	160	16 x1	2/2
19	500	100	16 x1	1/2
20	500	100	16 x1	1/2
21	303	84	16 x1	2/2
22	317	505	3 x1	2/2
23	632	521	3 x1	1/2



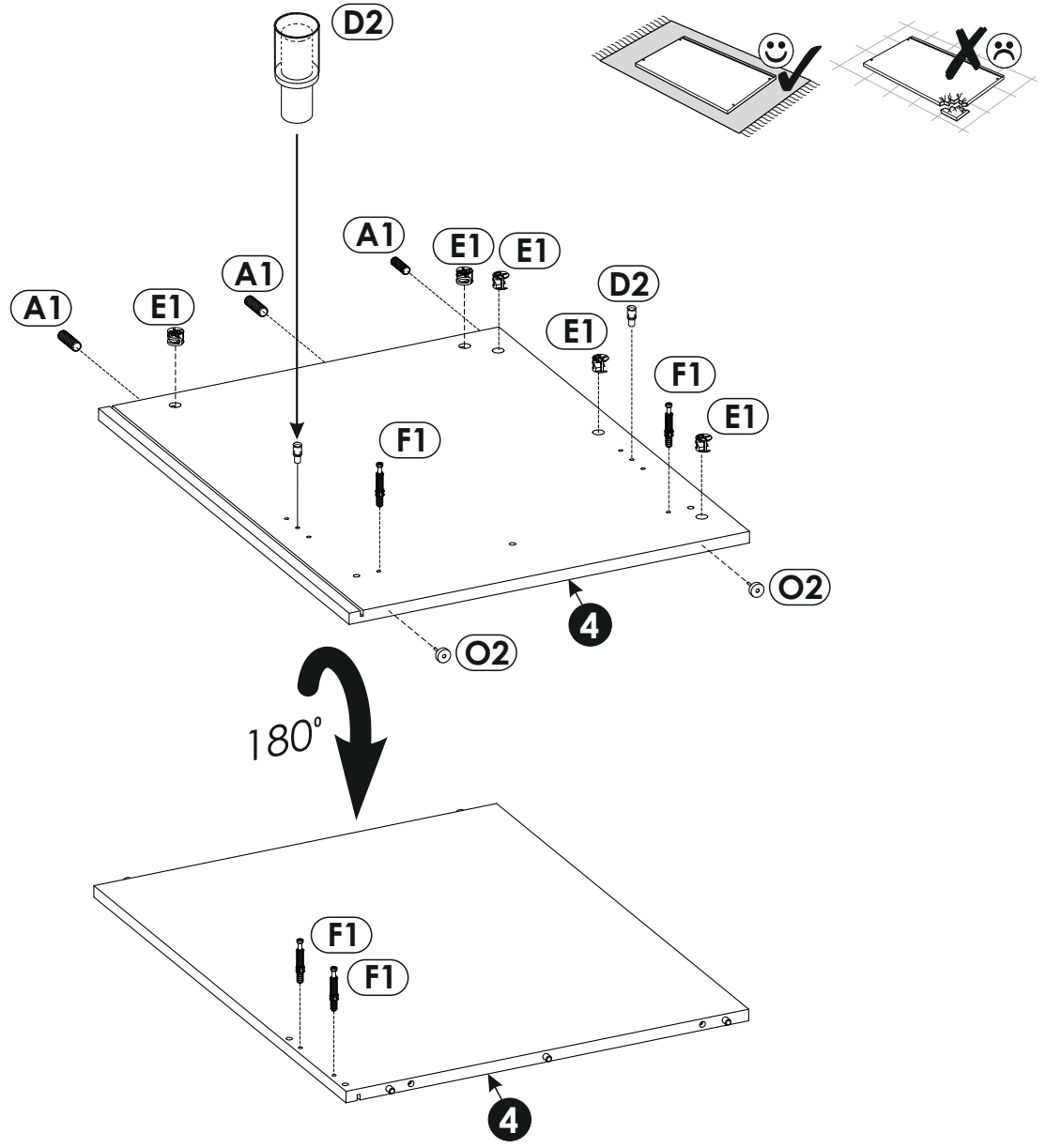
1 ▶



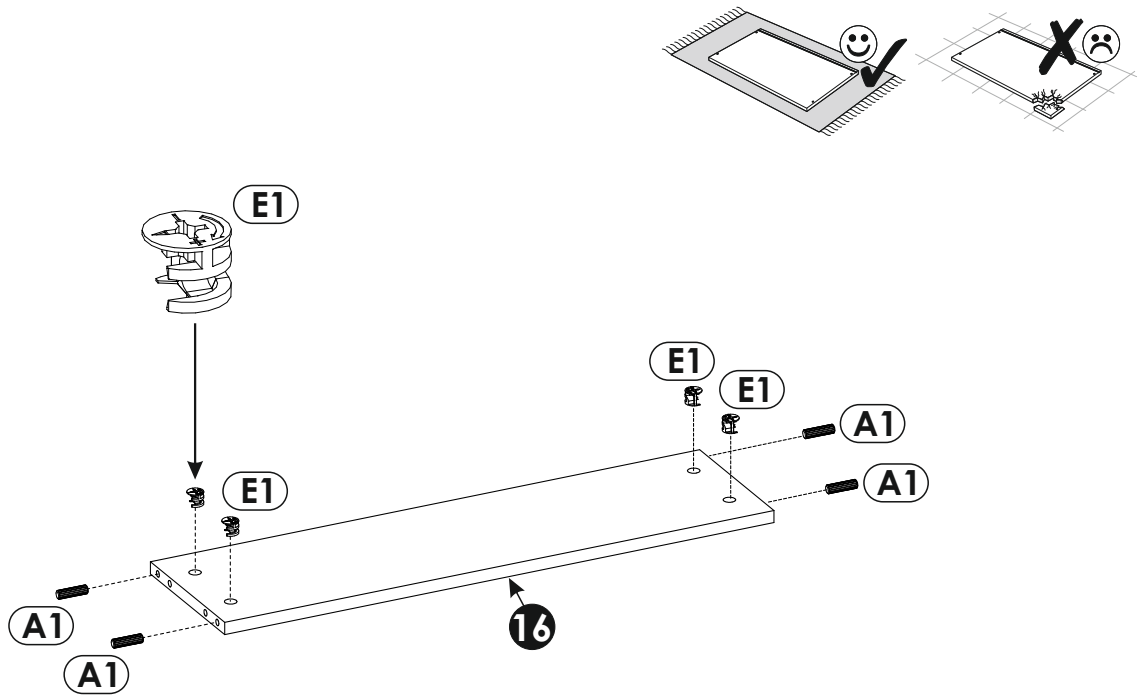
2 ▶

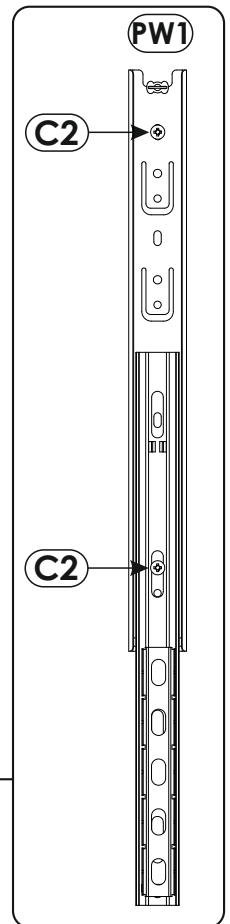
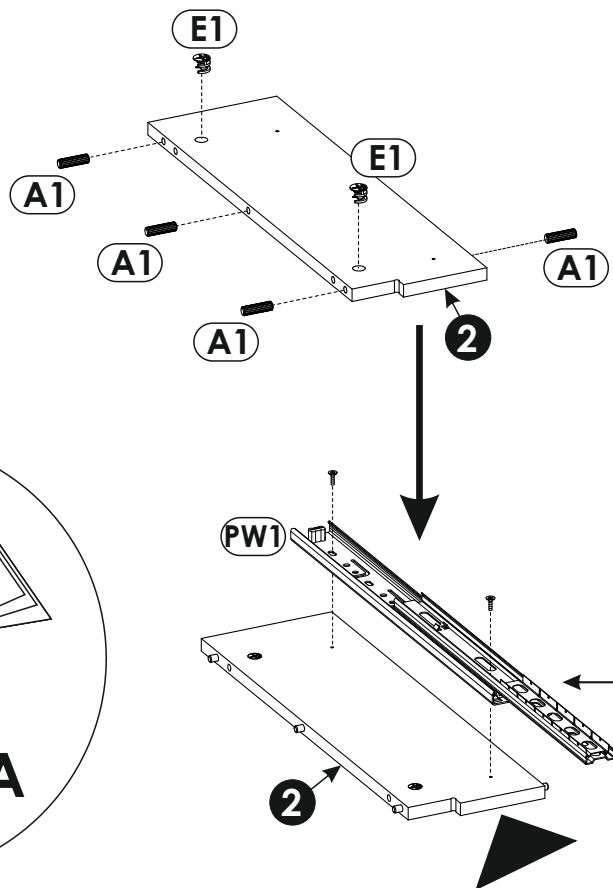
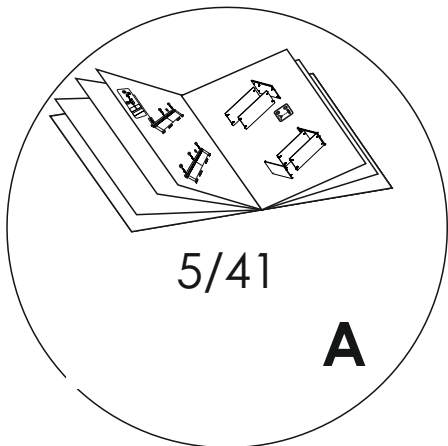
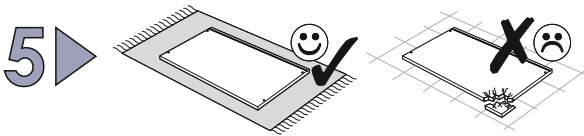
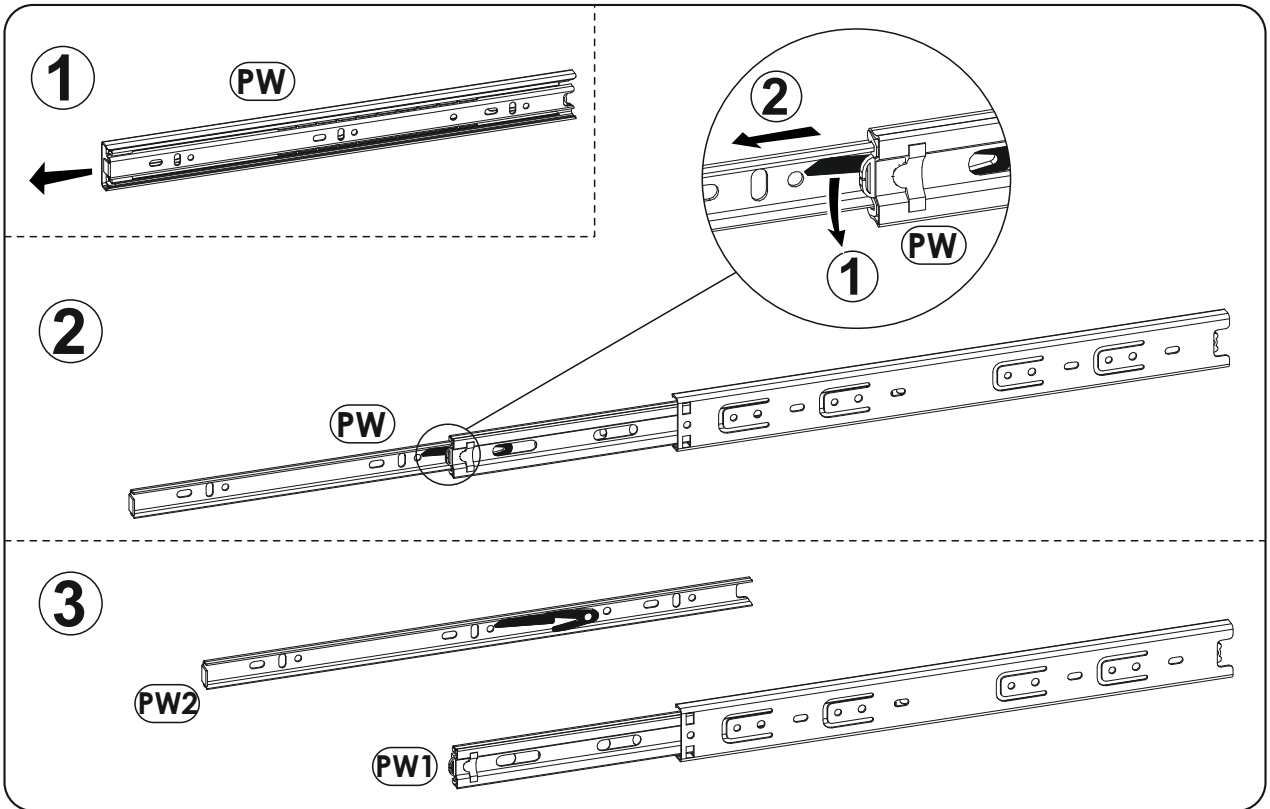


3 ▶

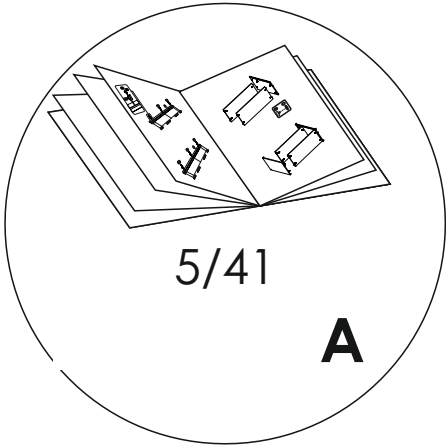
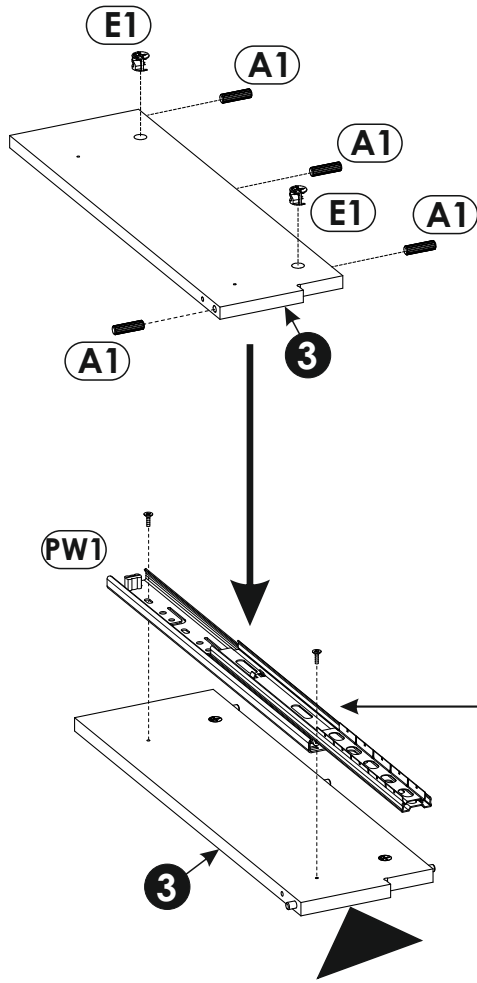
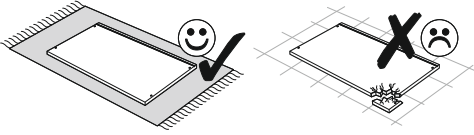


4 ▶

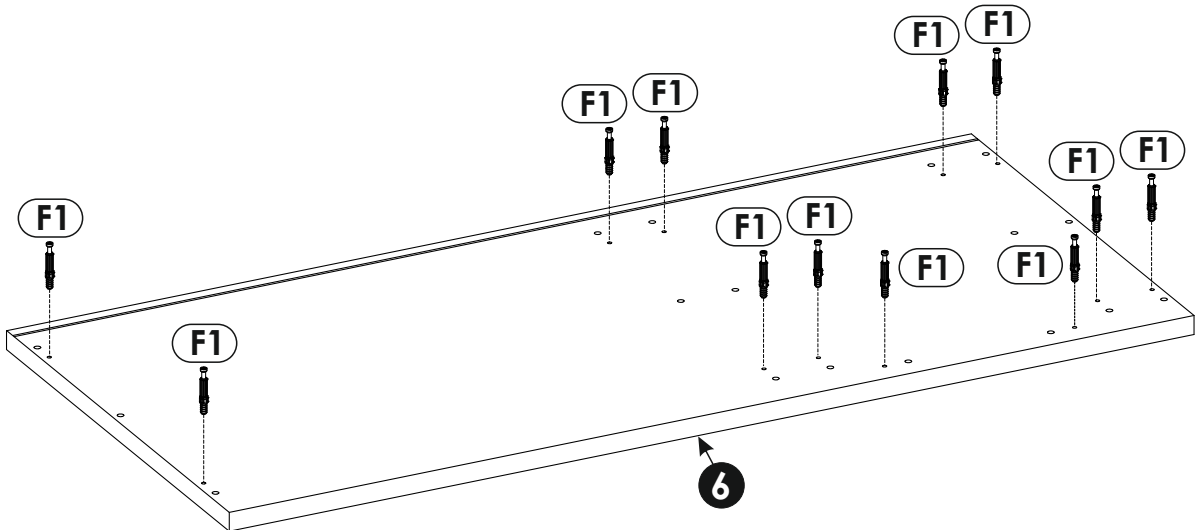
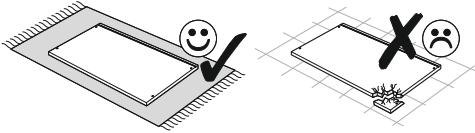




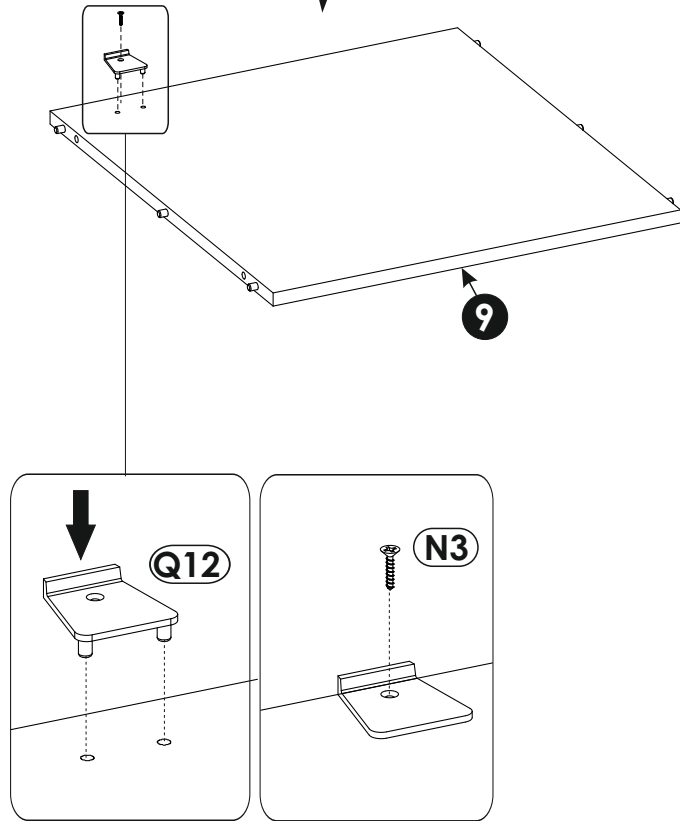
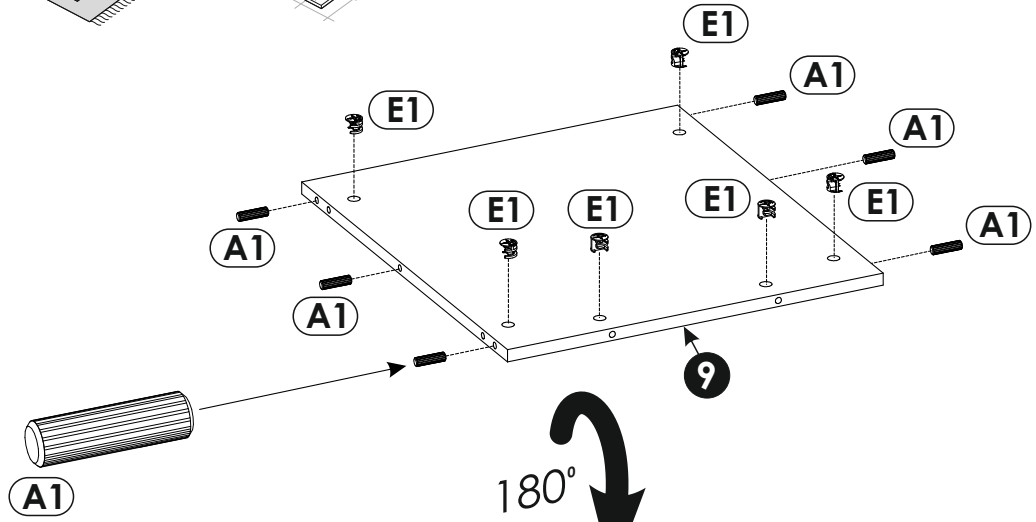
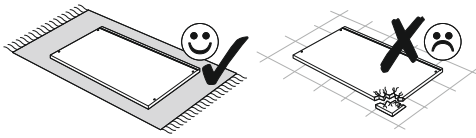
6 ▶



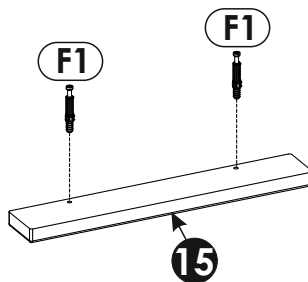
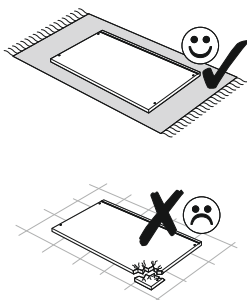
7 ▶



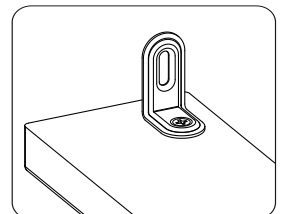
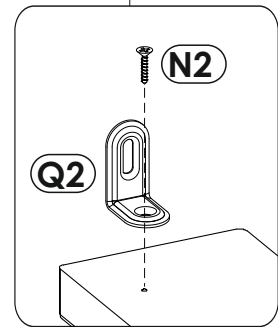
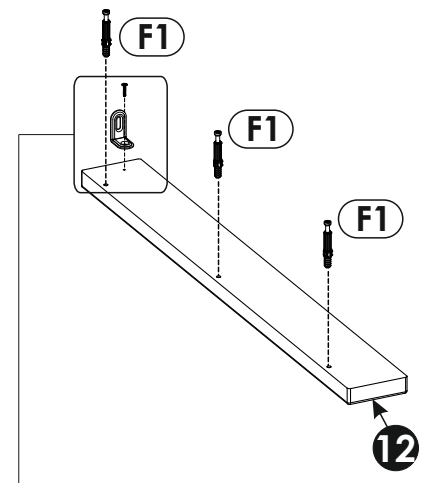
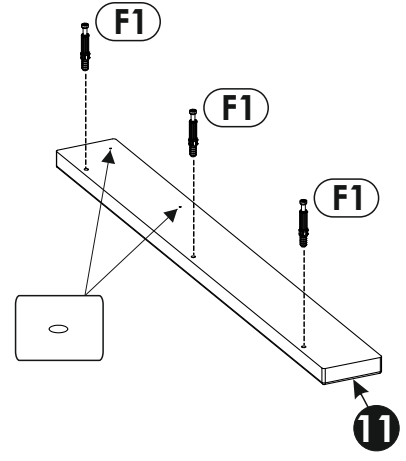
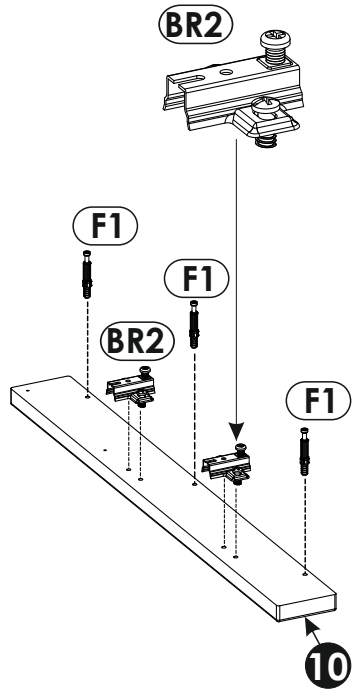
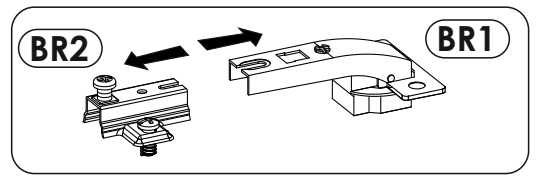
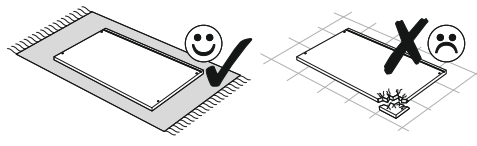
8 ▶



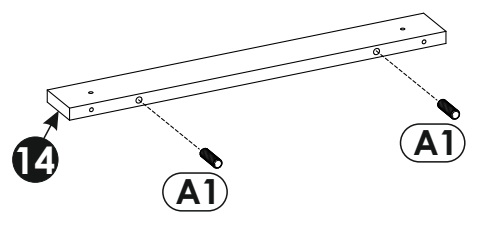
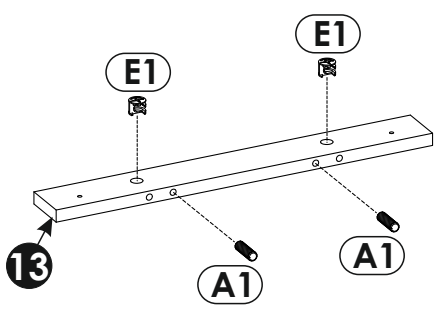
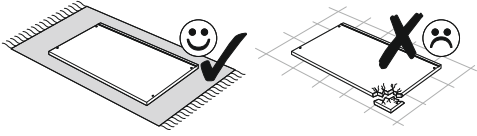
9 ▶



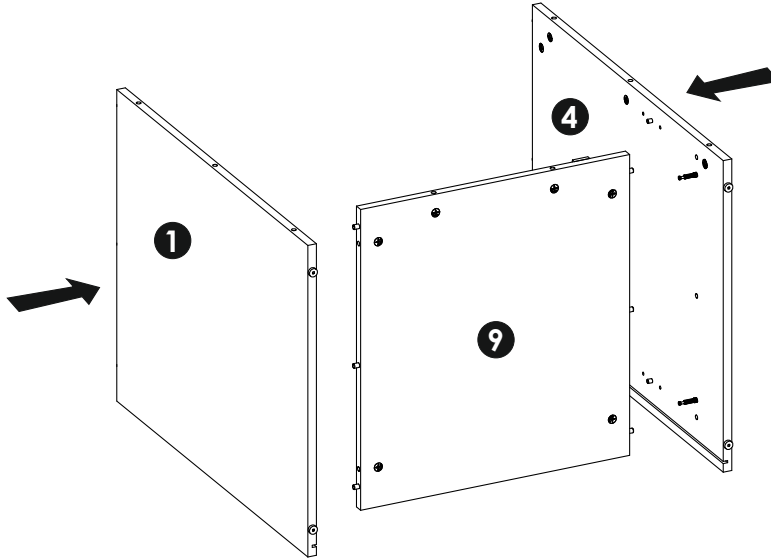
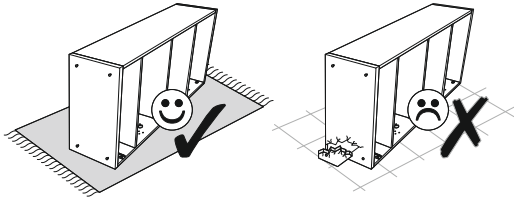
10 ▶



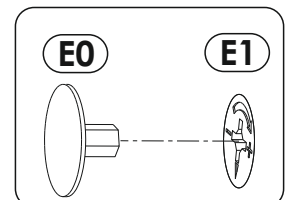
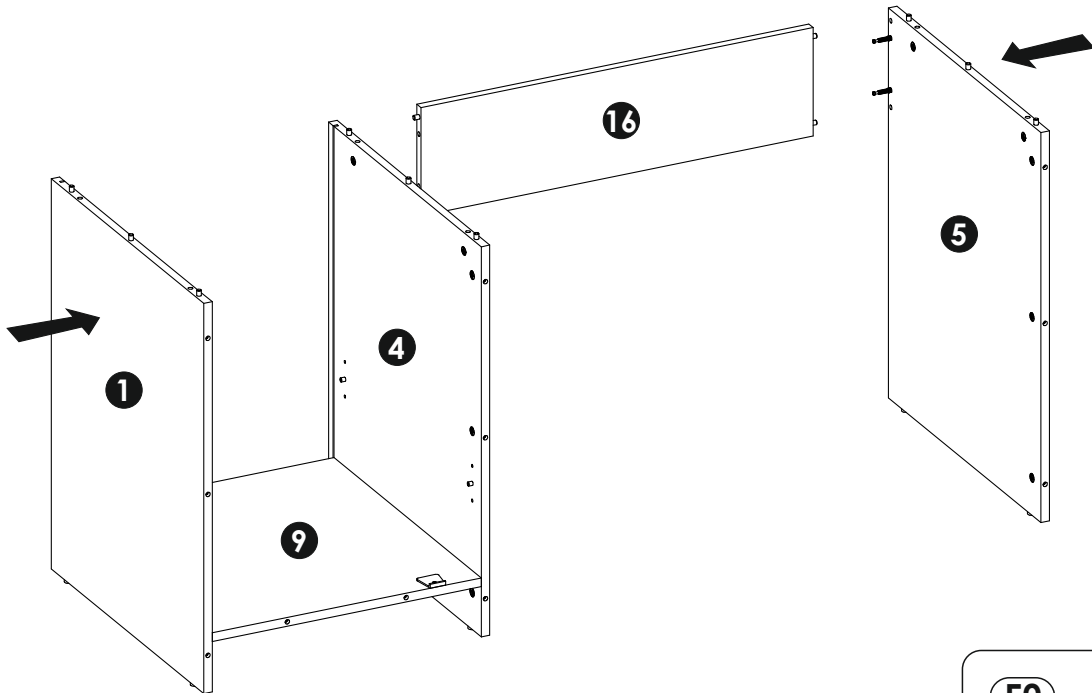
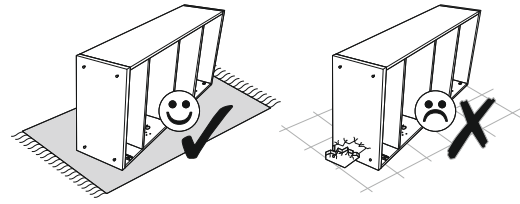
11 ▶

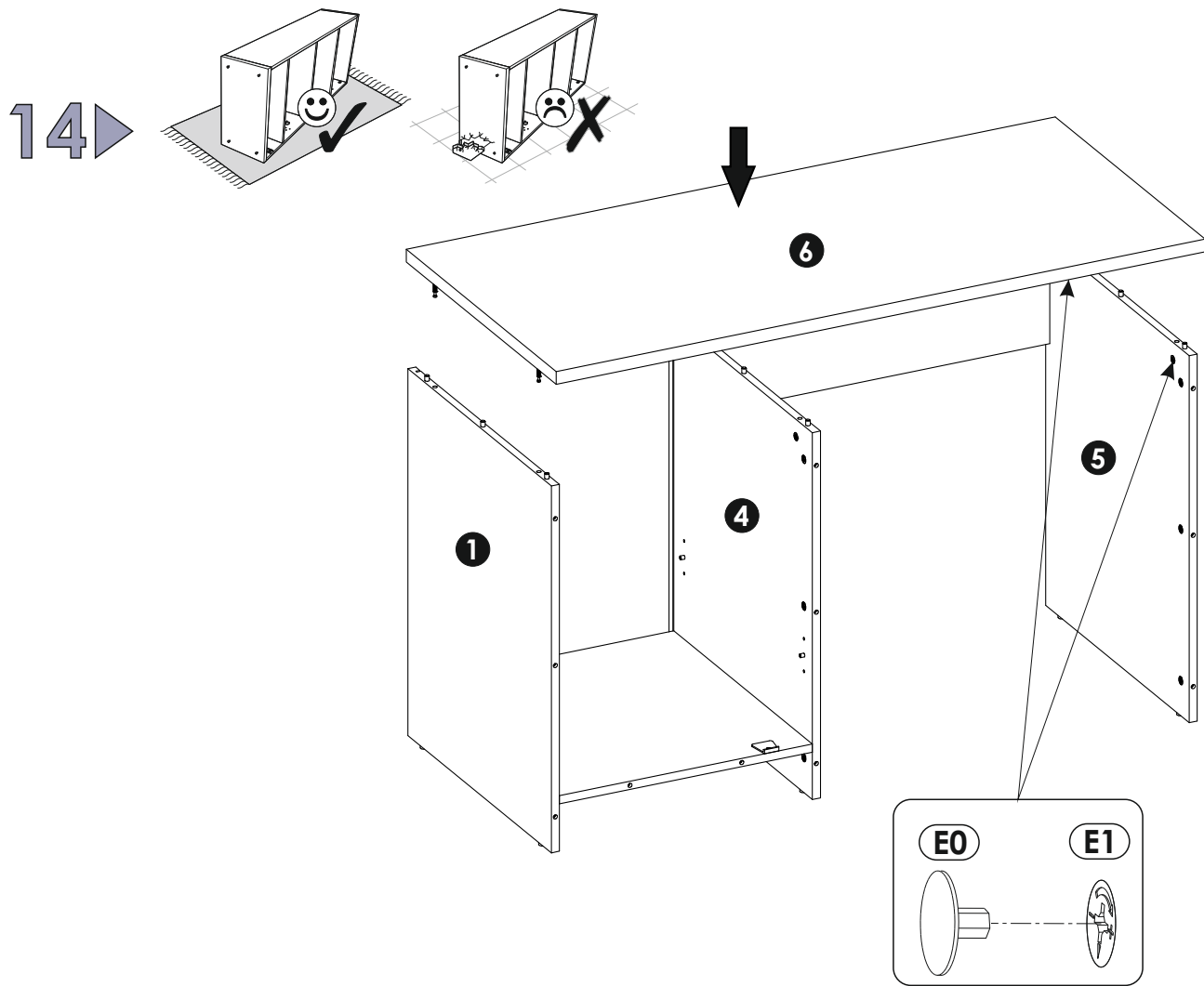


12▶

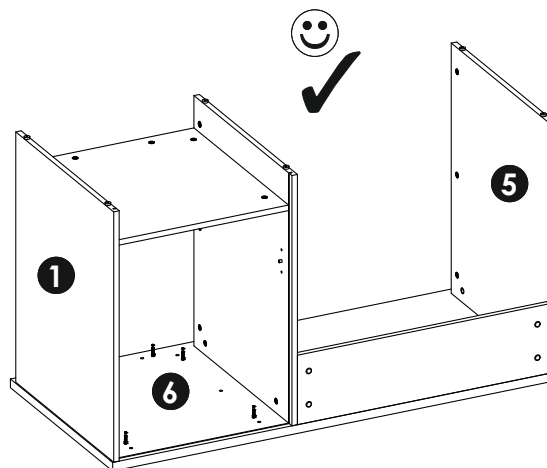
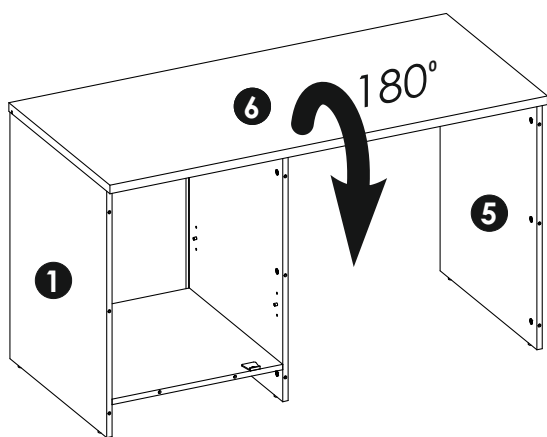
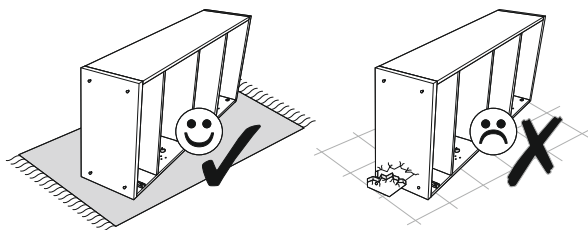


13▶

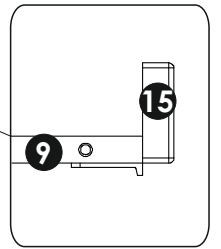
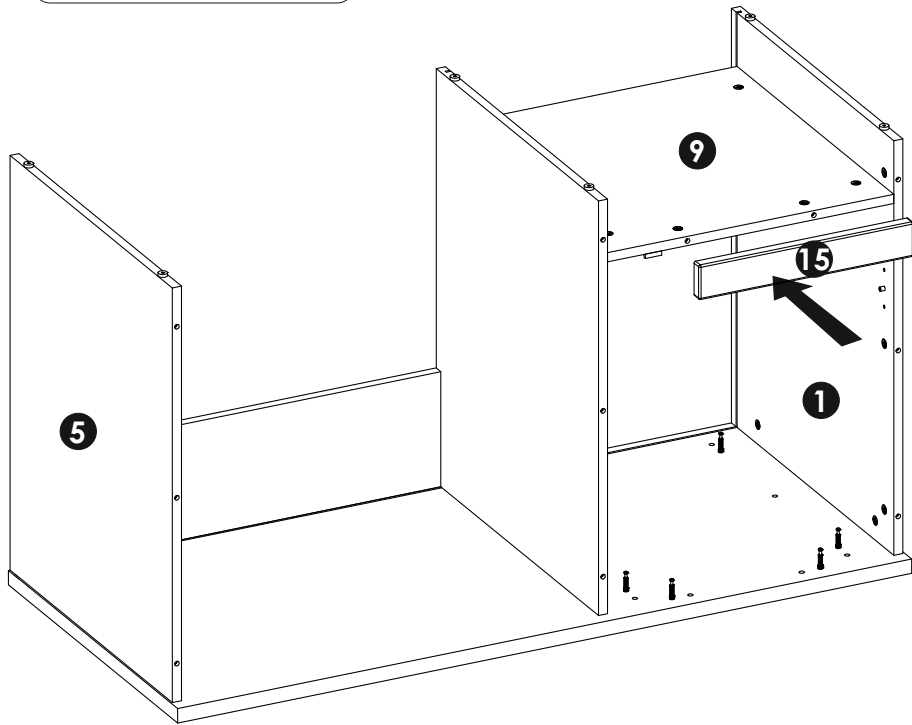
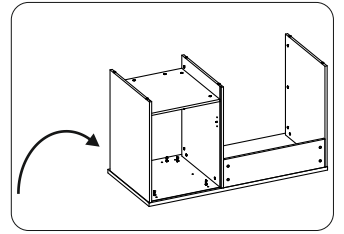
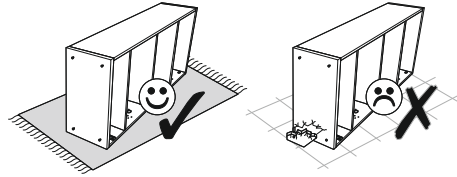
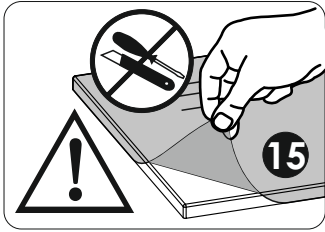




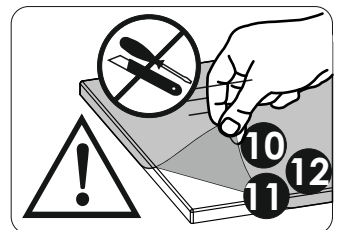
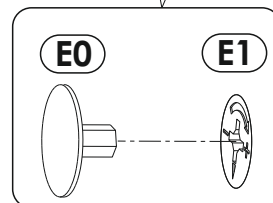
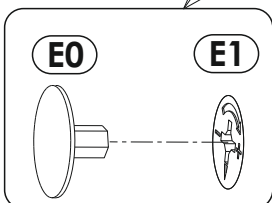
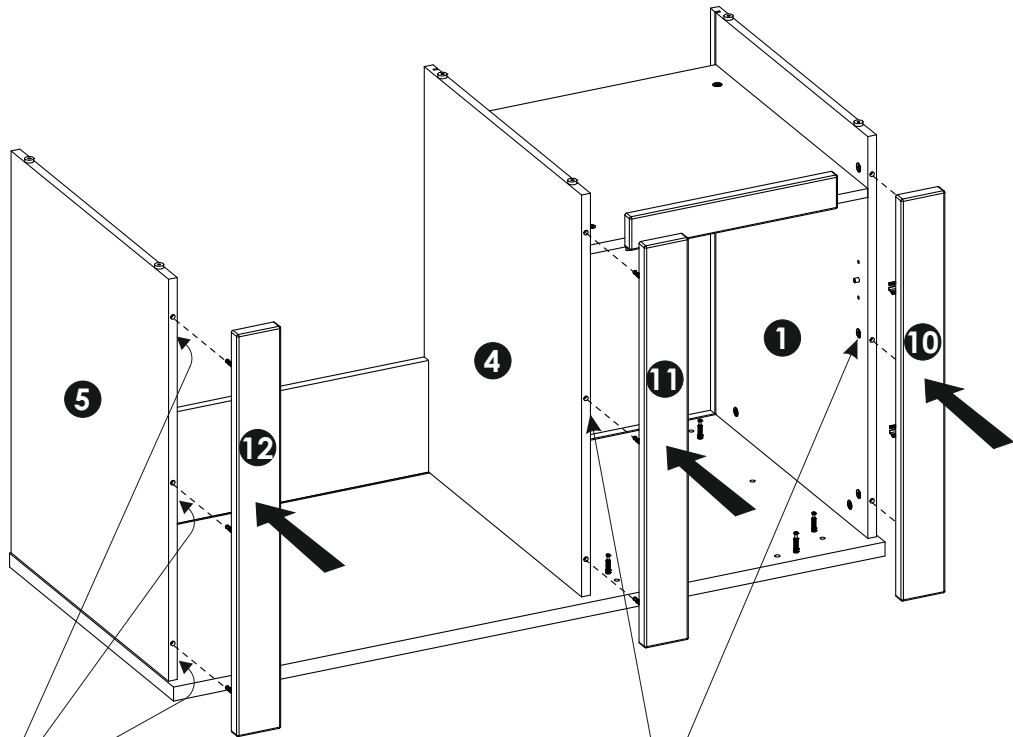
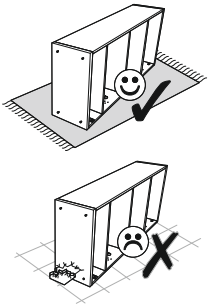
15 ▶



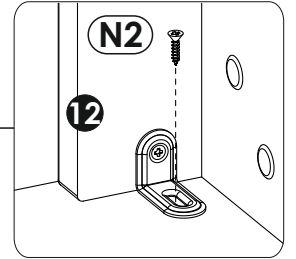
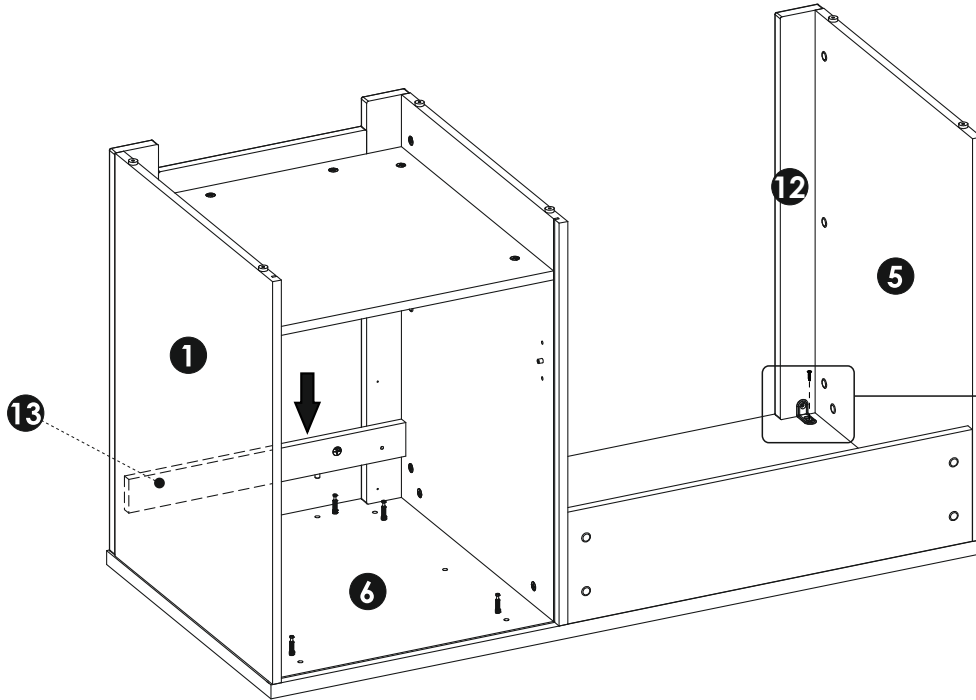
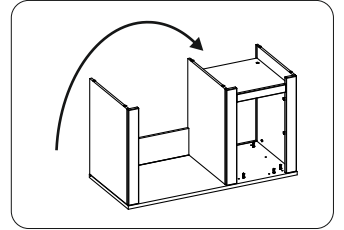
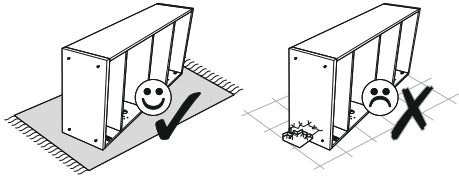
16 ▶



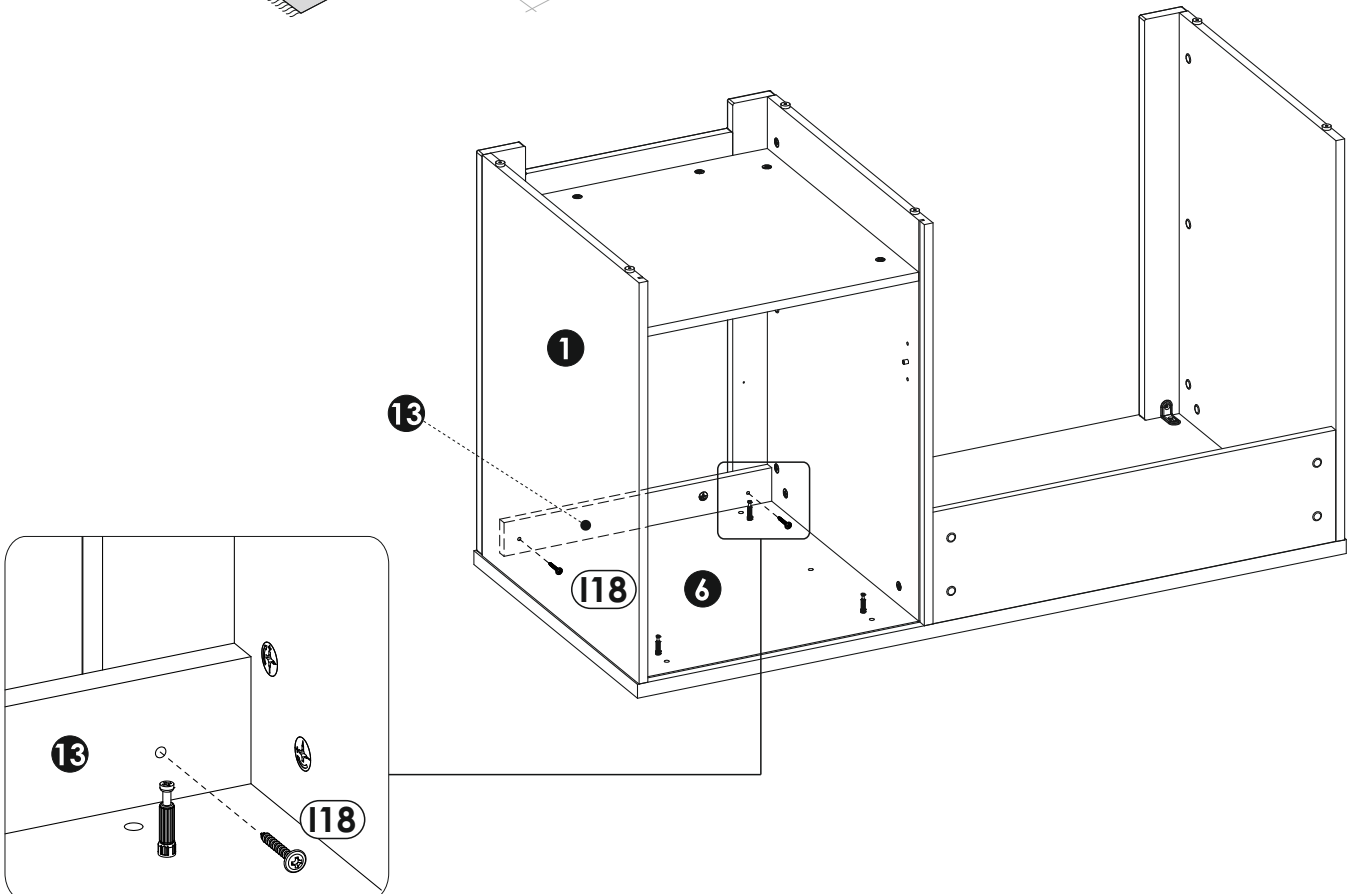
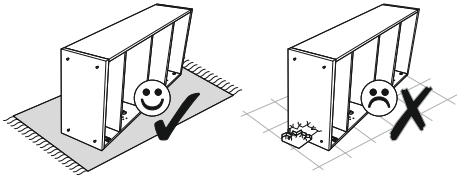
17 ▶



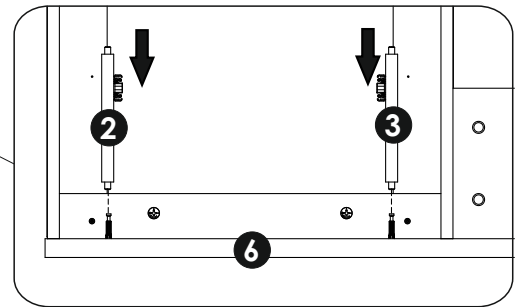
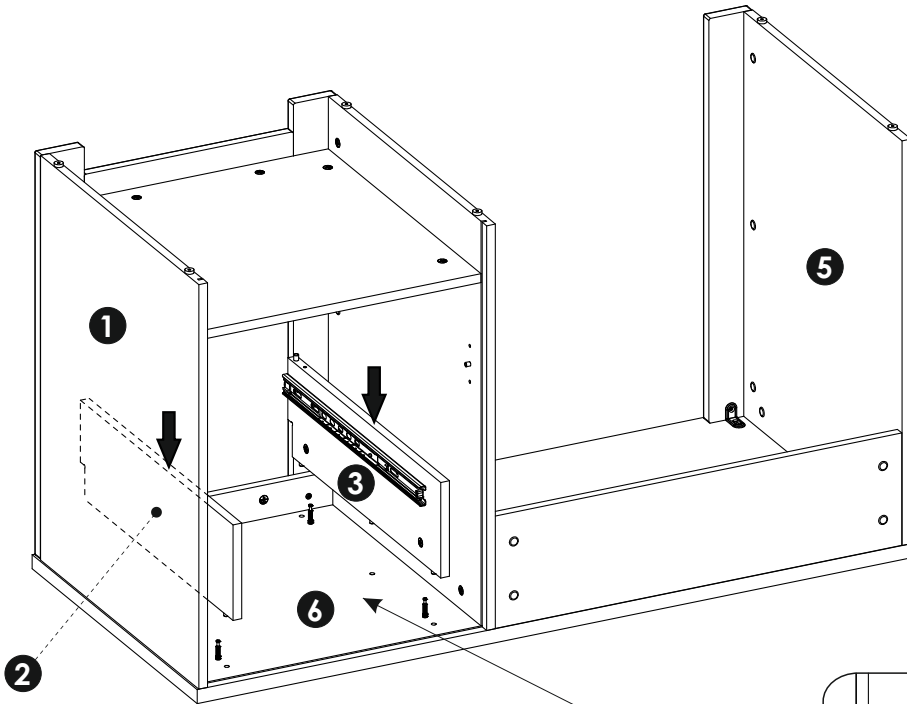
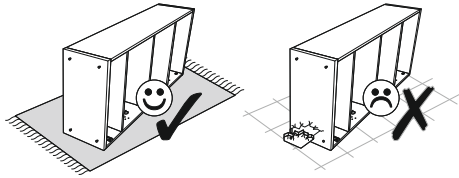
18 ▶



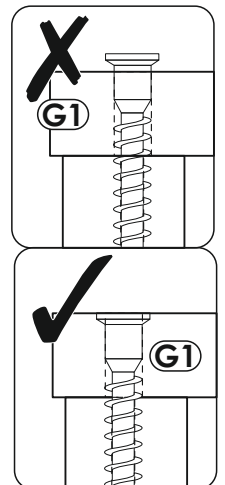
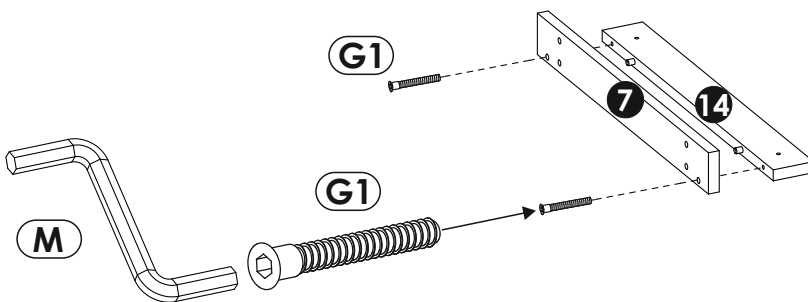
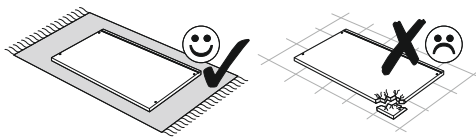
19 ▶



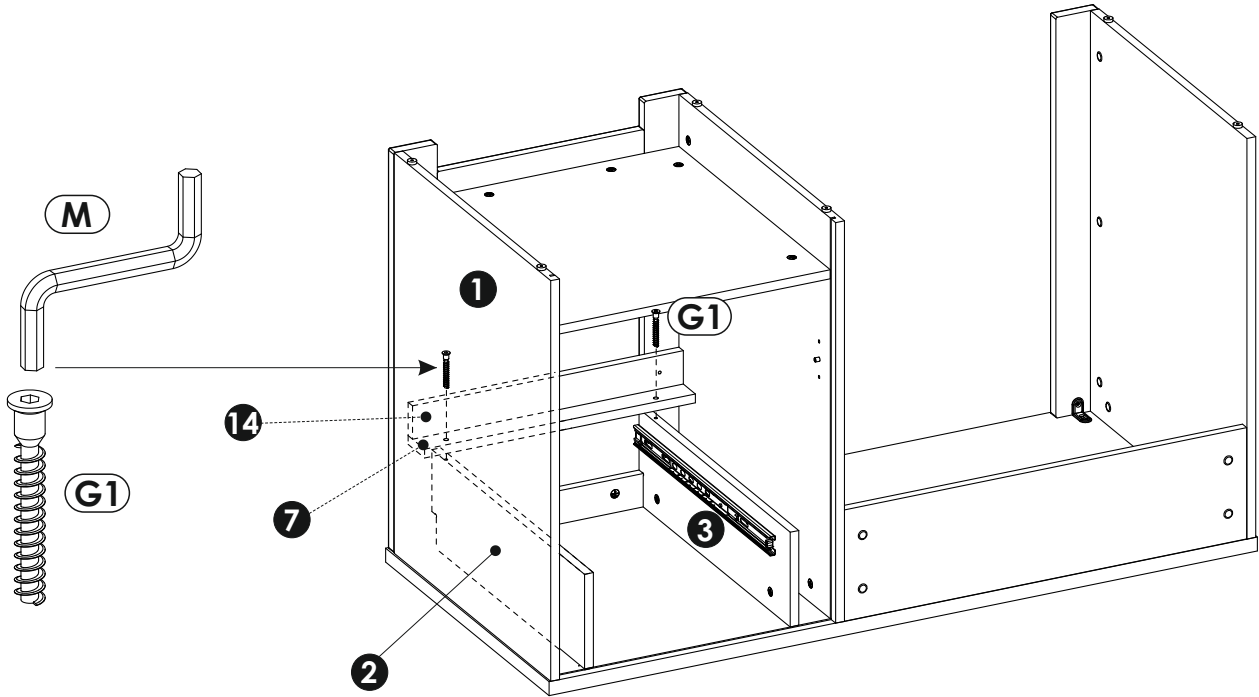
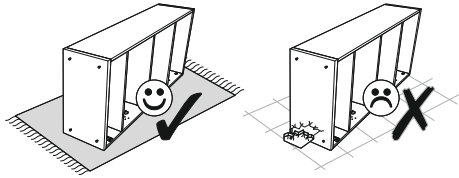
20 ▶



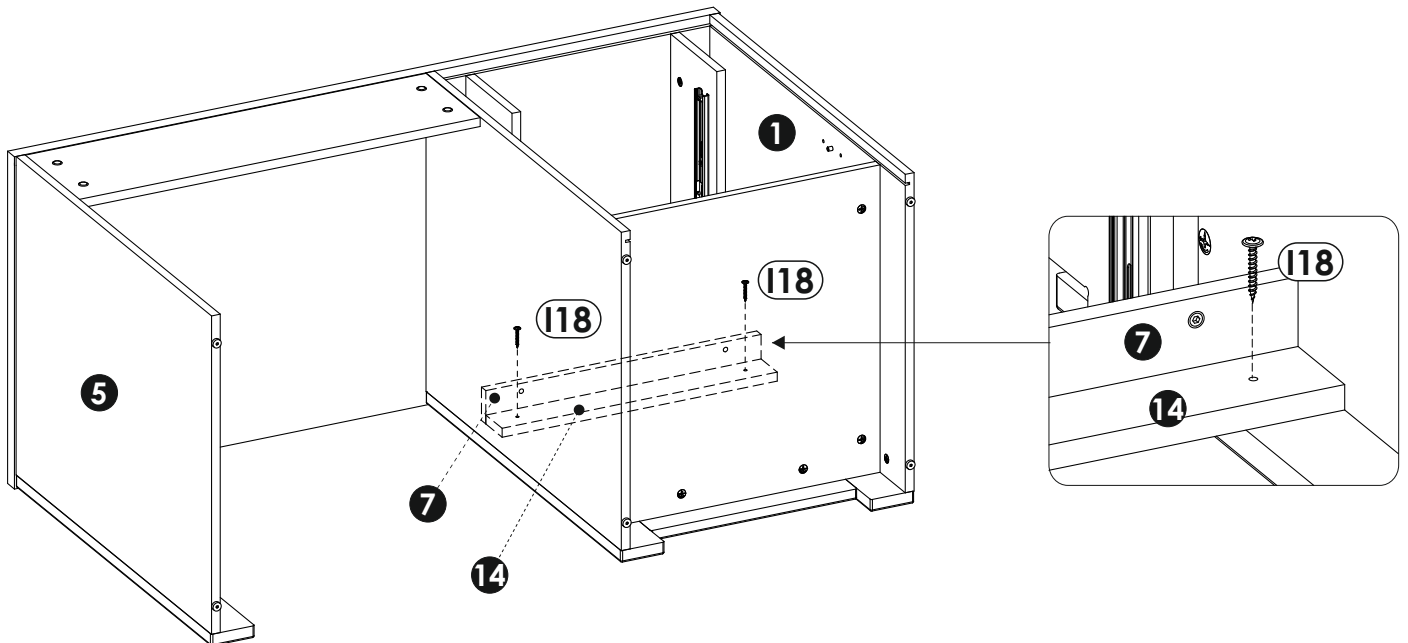
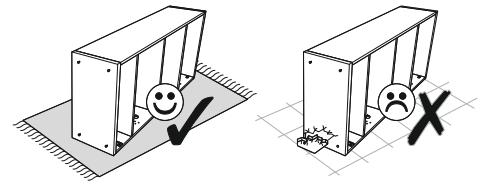
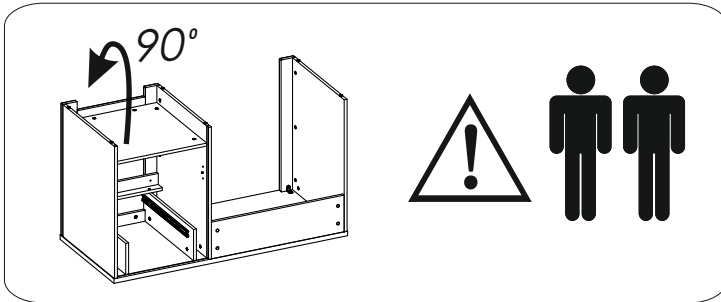
21 ▶



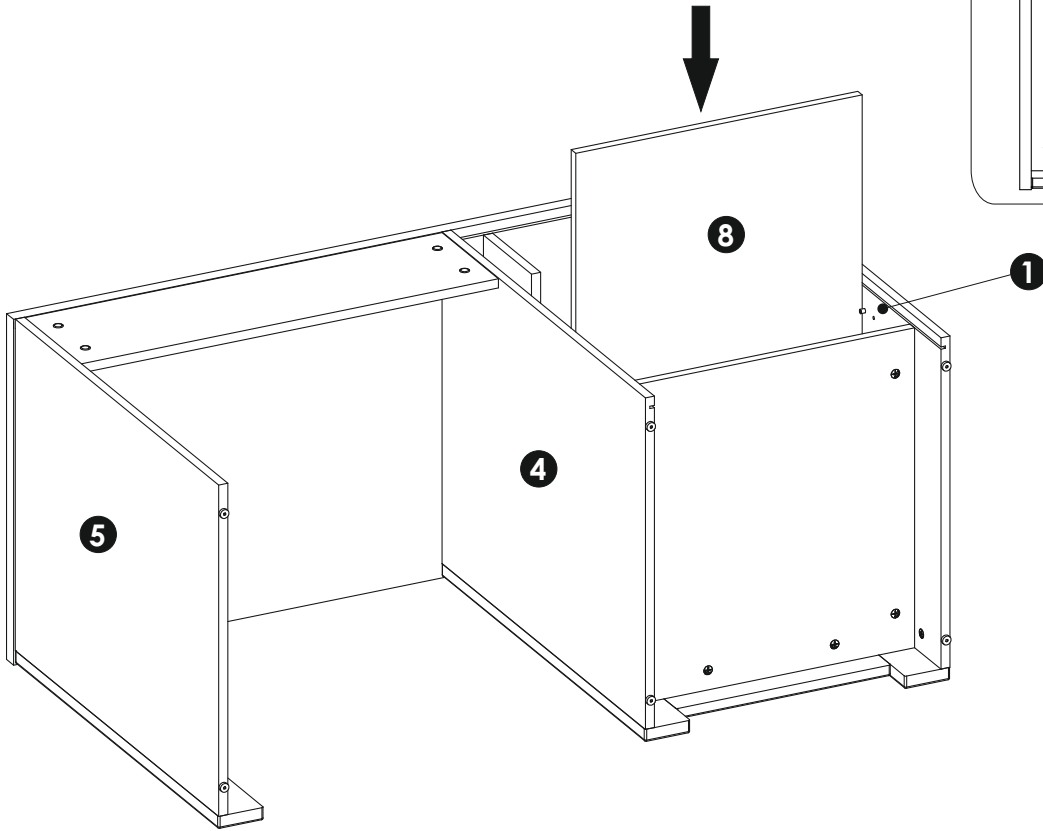
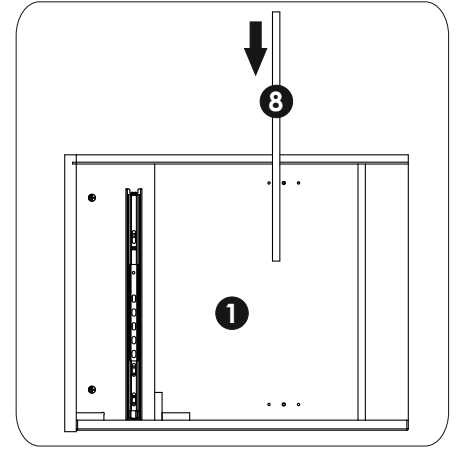
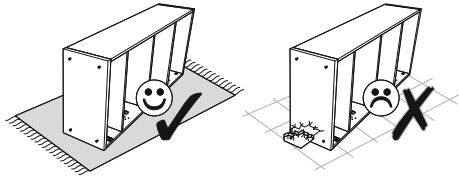
22 ▶



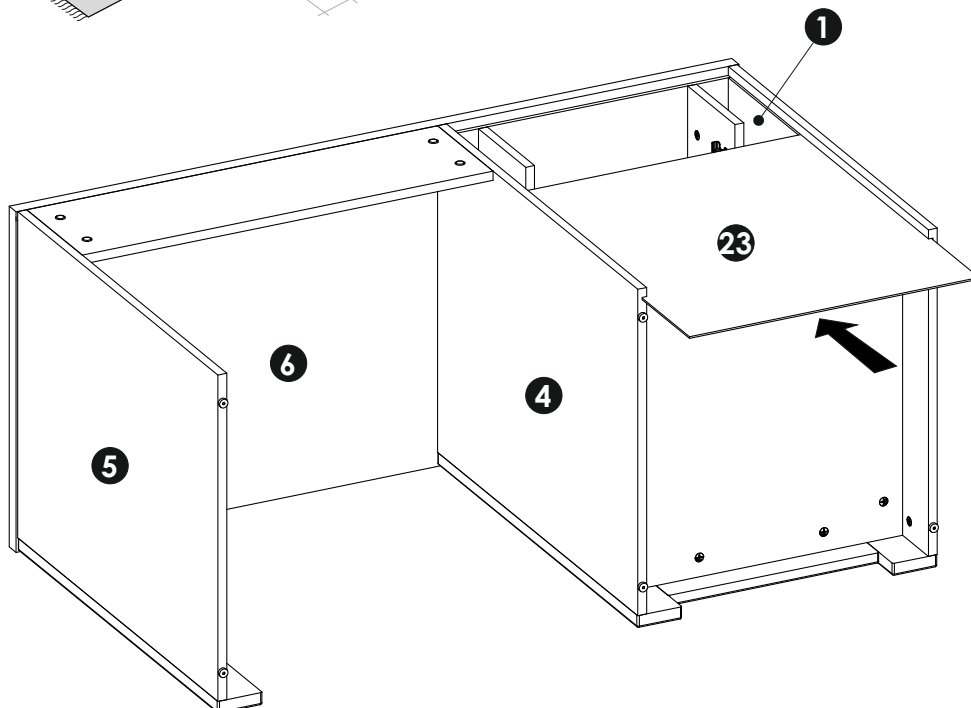
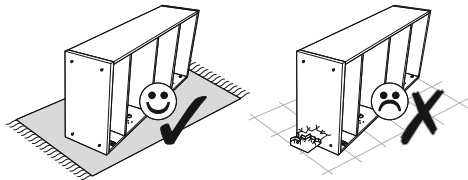
23 ▶



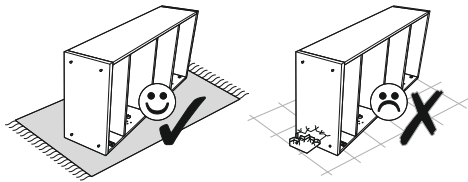
24 ▶



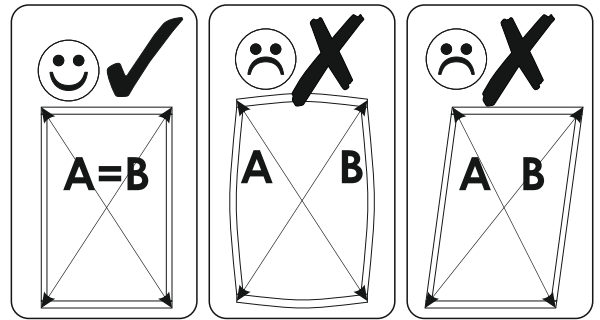
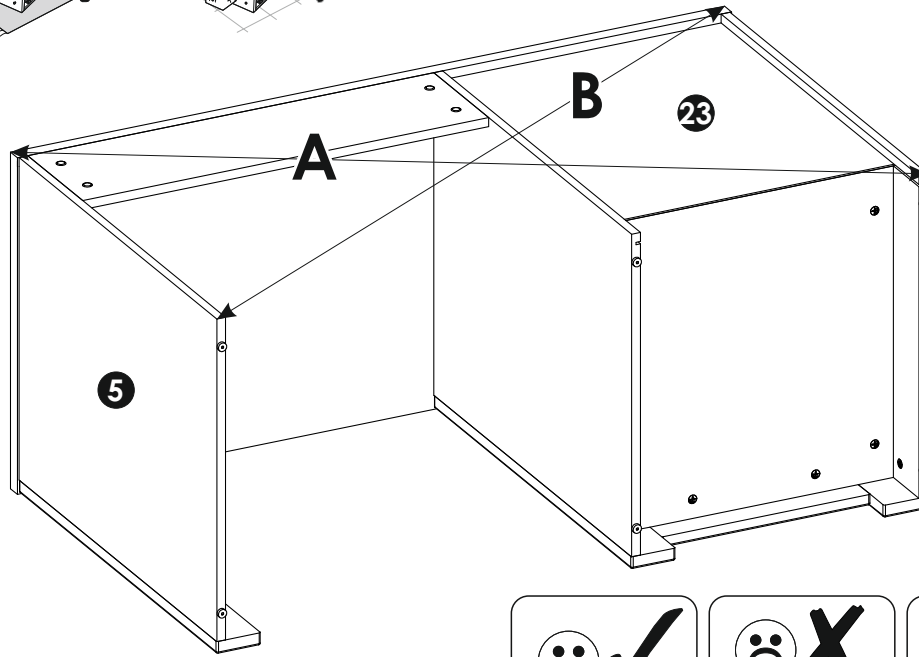
25 ▶



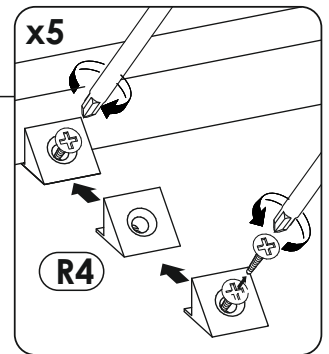
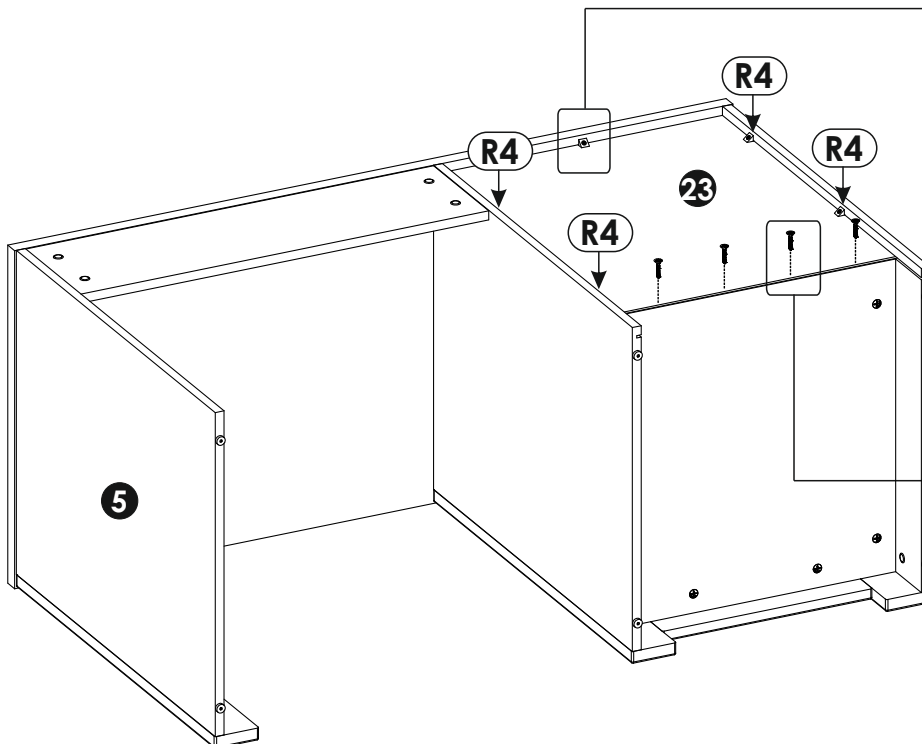
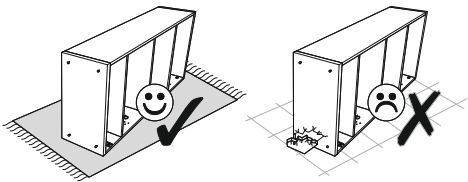
26 ▶



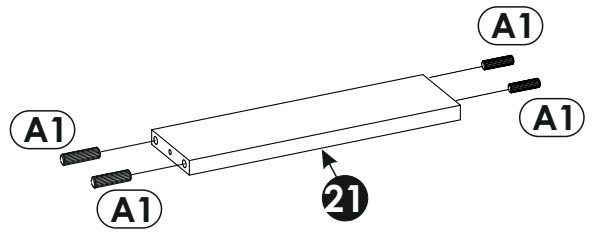
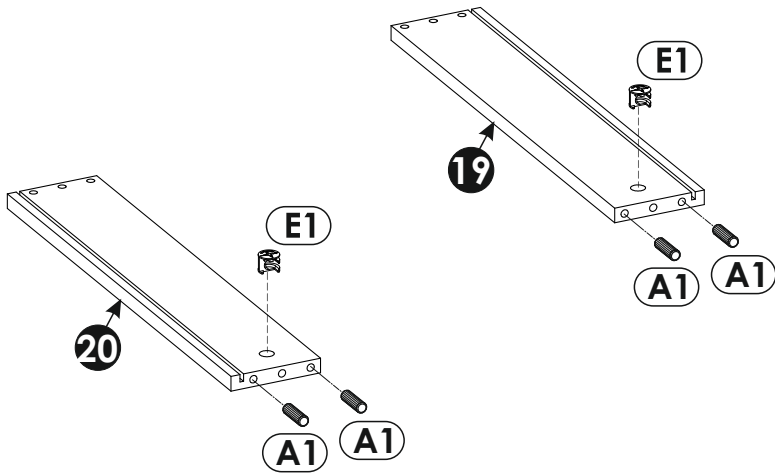
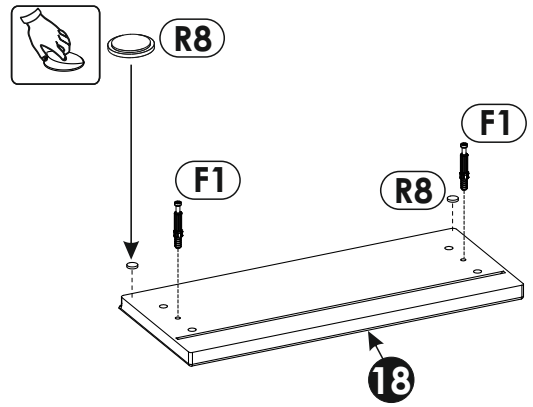
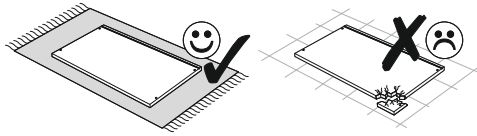
A=B



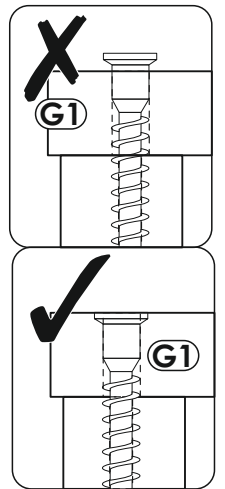
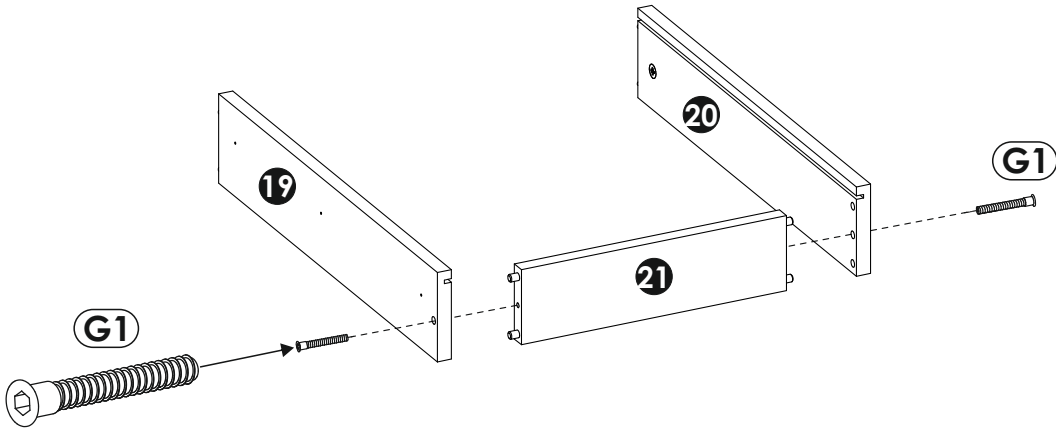
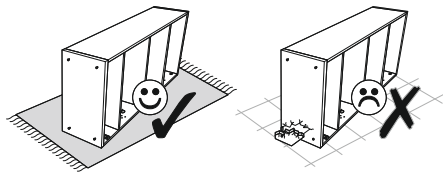
27 ▶



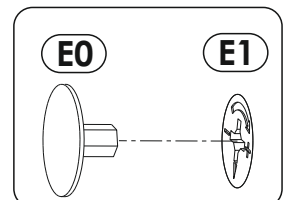
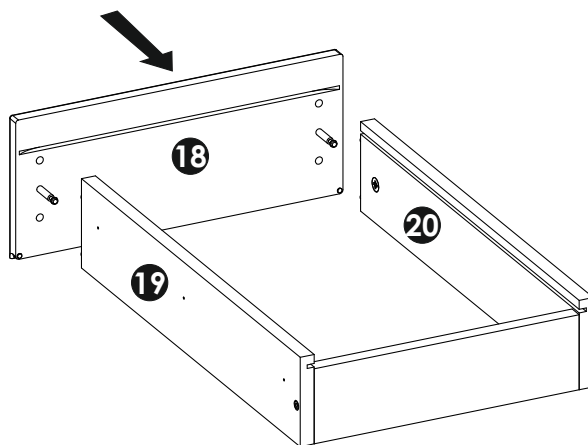
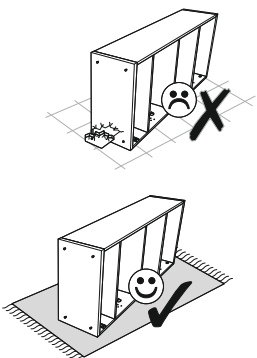
28 ▶



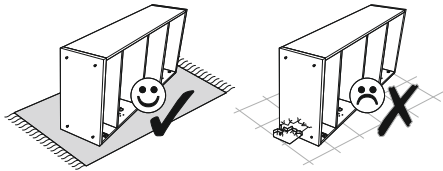
29 ▶



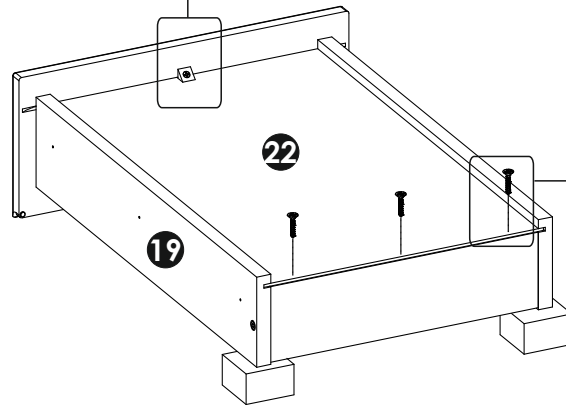
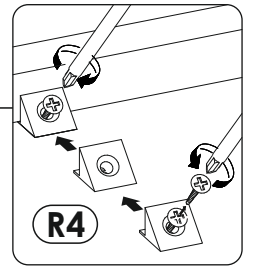
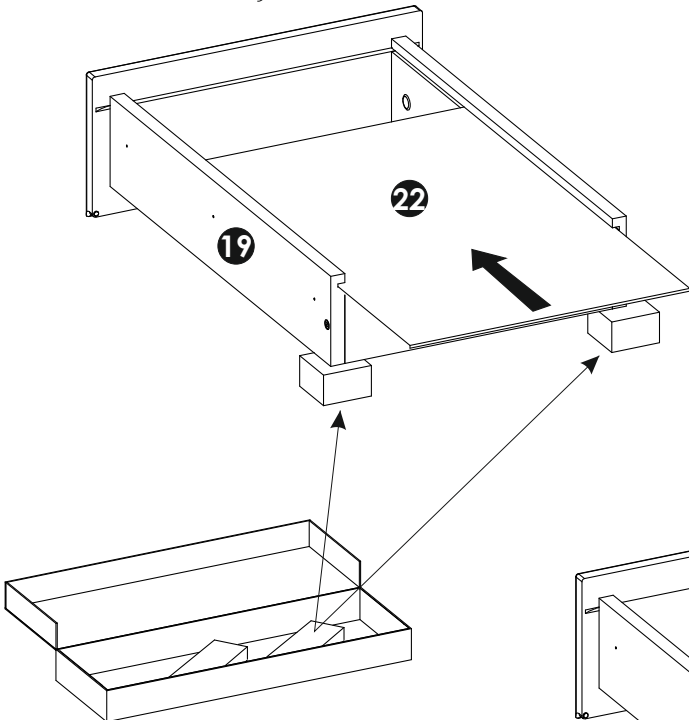
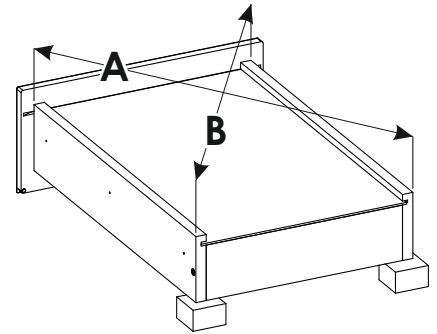
30 ▶



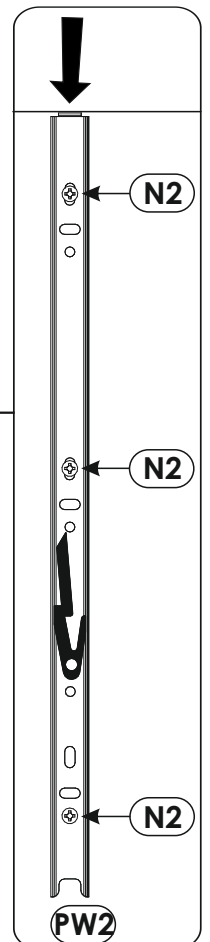
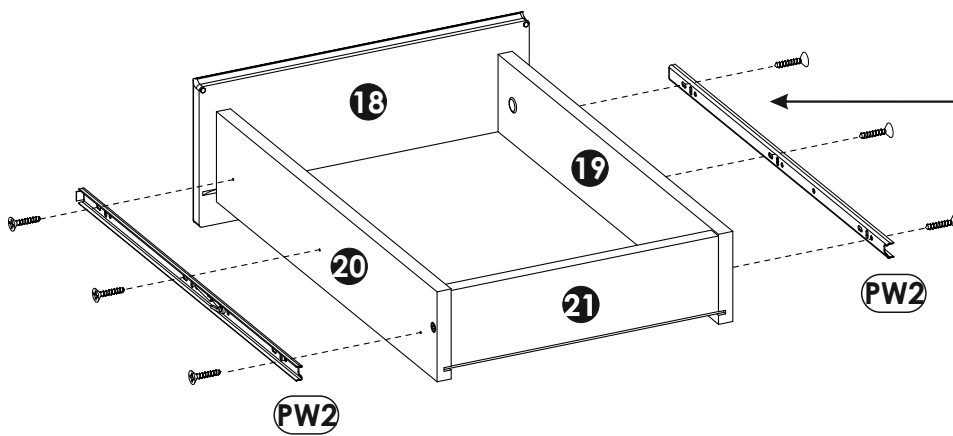
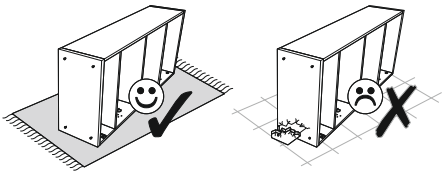
31 ▶

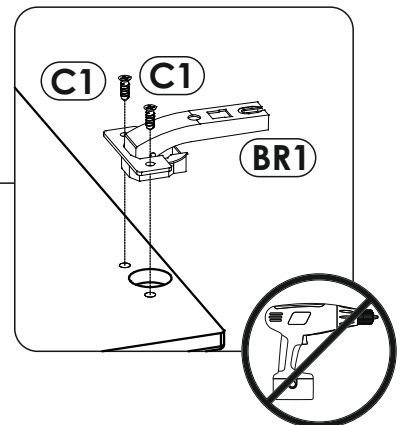
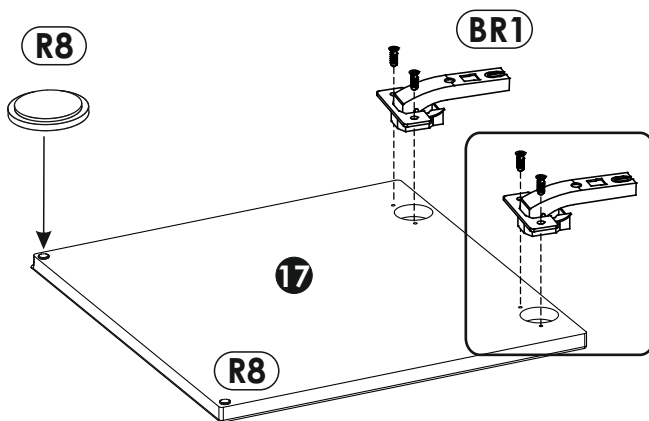
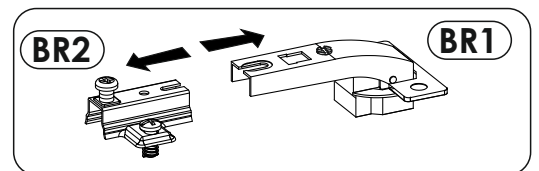
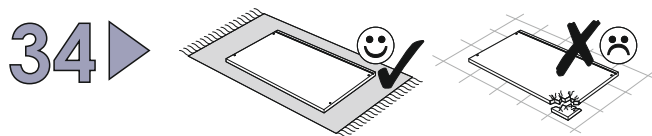
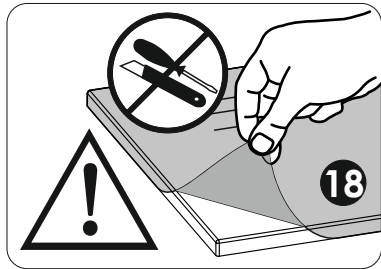
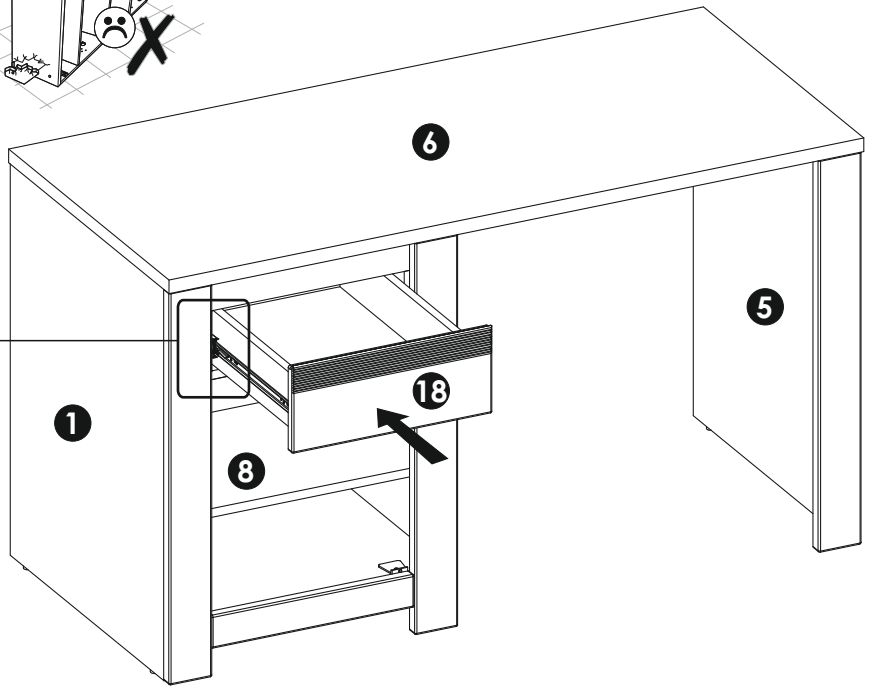
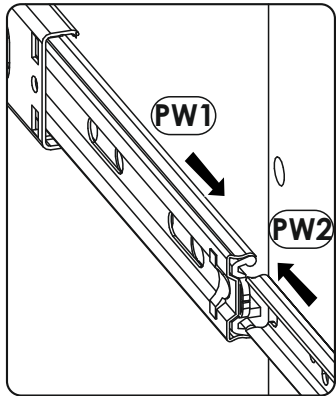
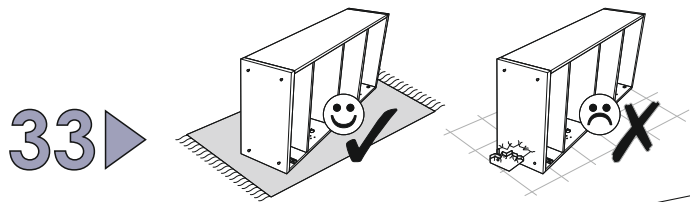


A=B

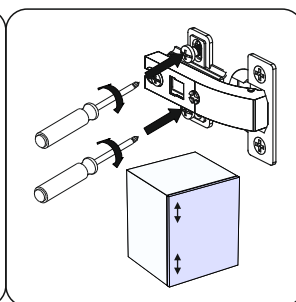
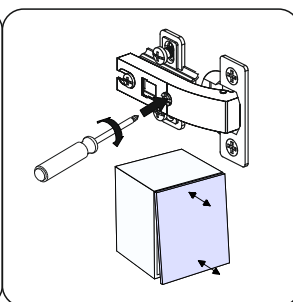
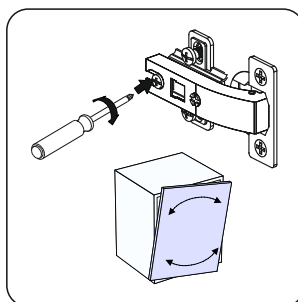
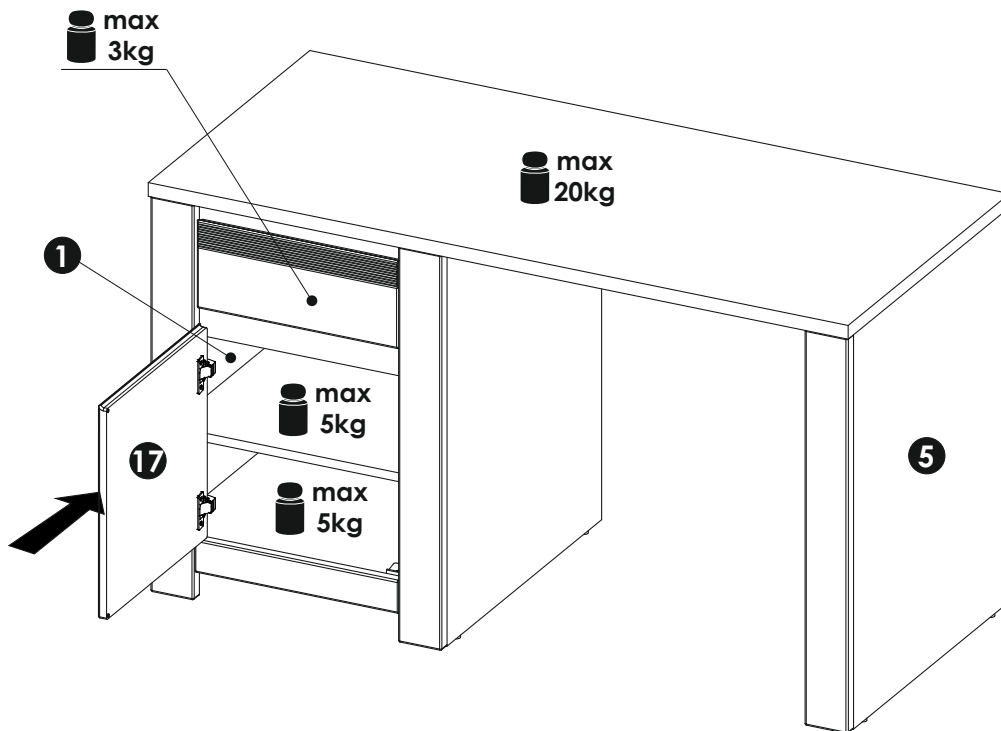
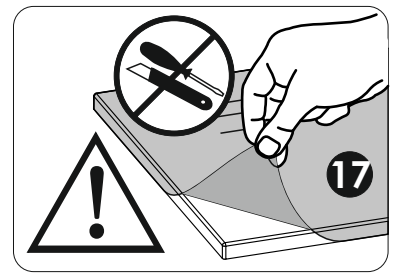
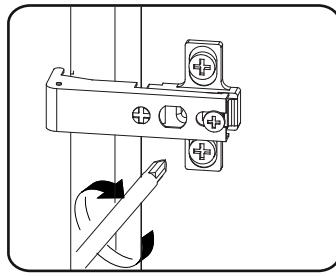
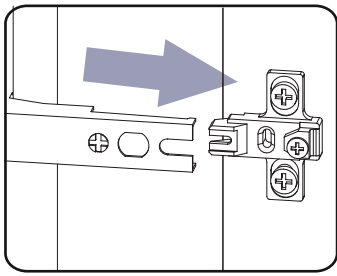


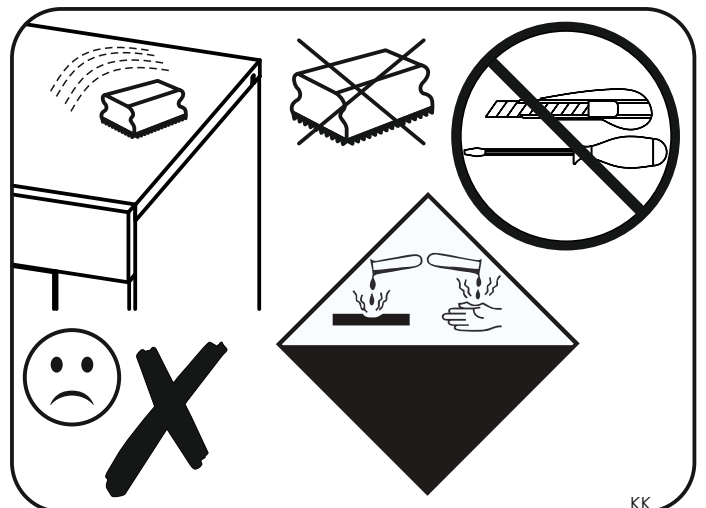
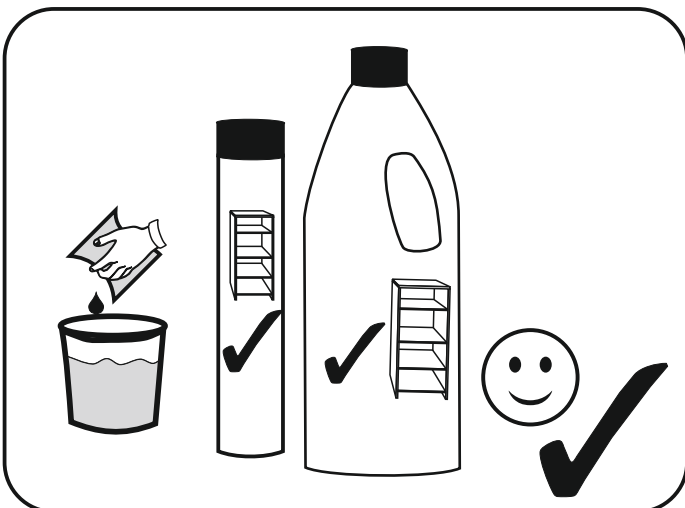
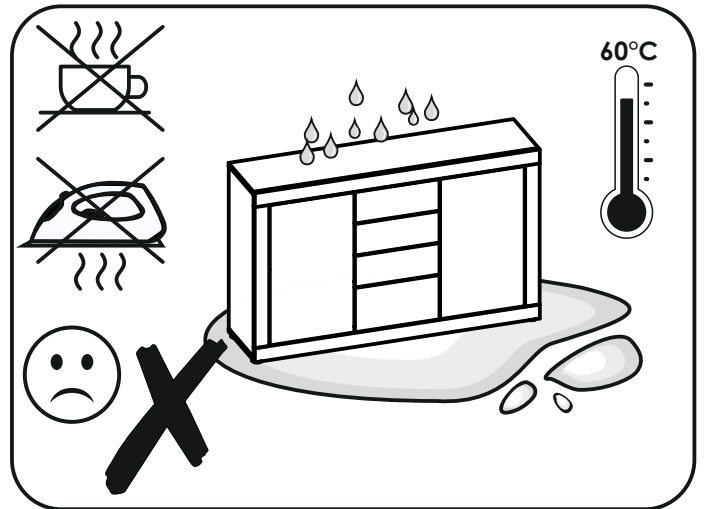
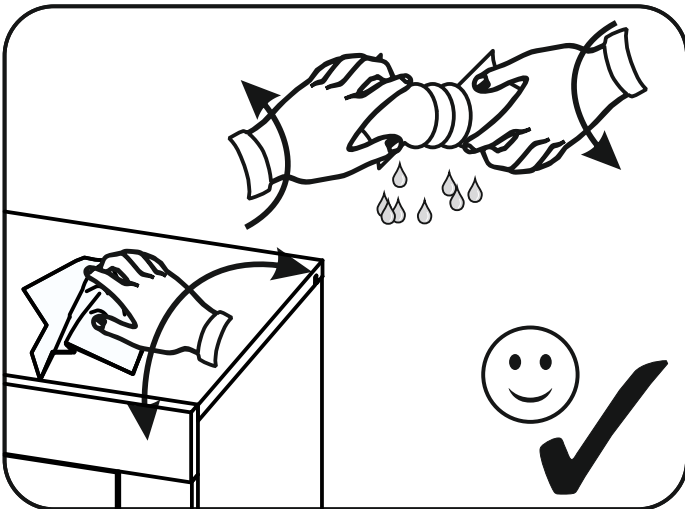
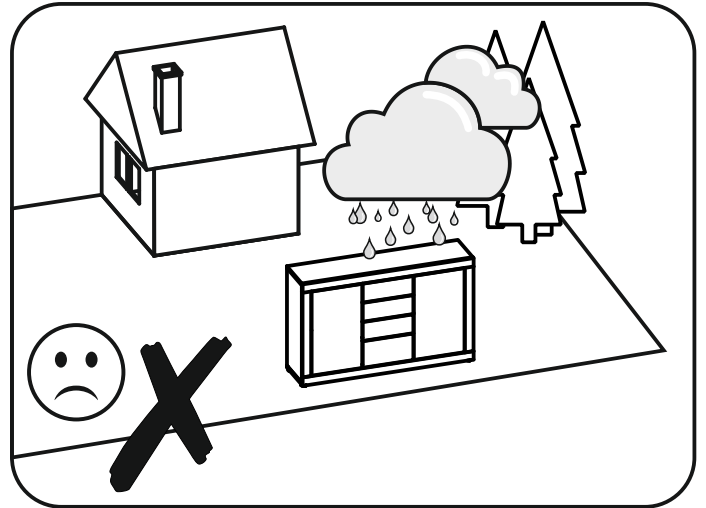
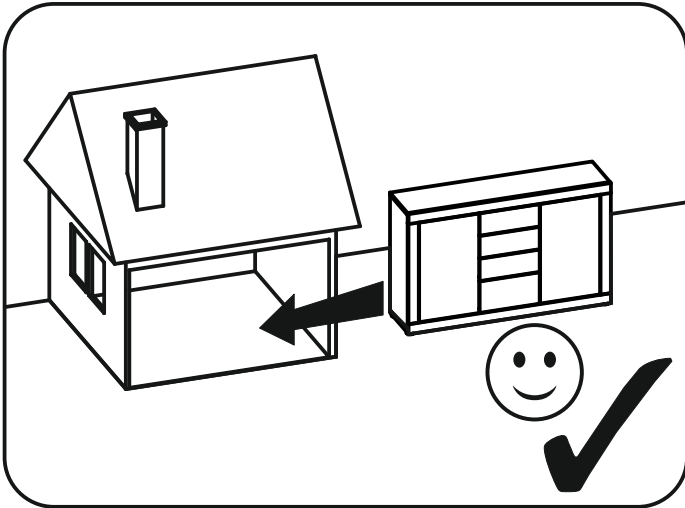
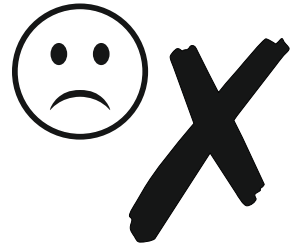
32 ▶



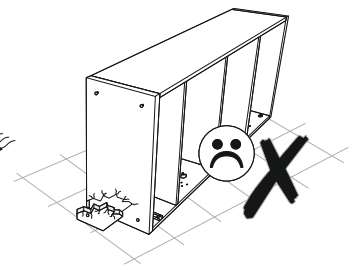
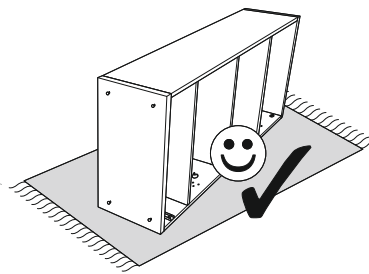
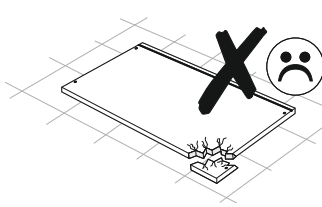
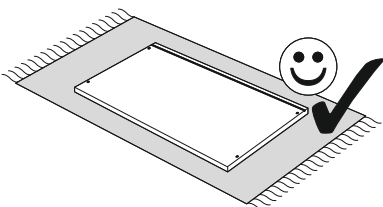
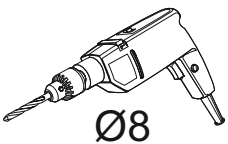
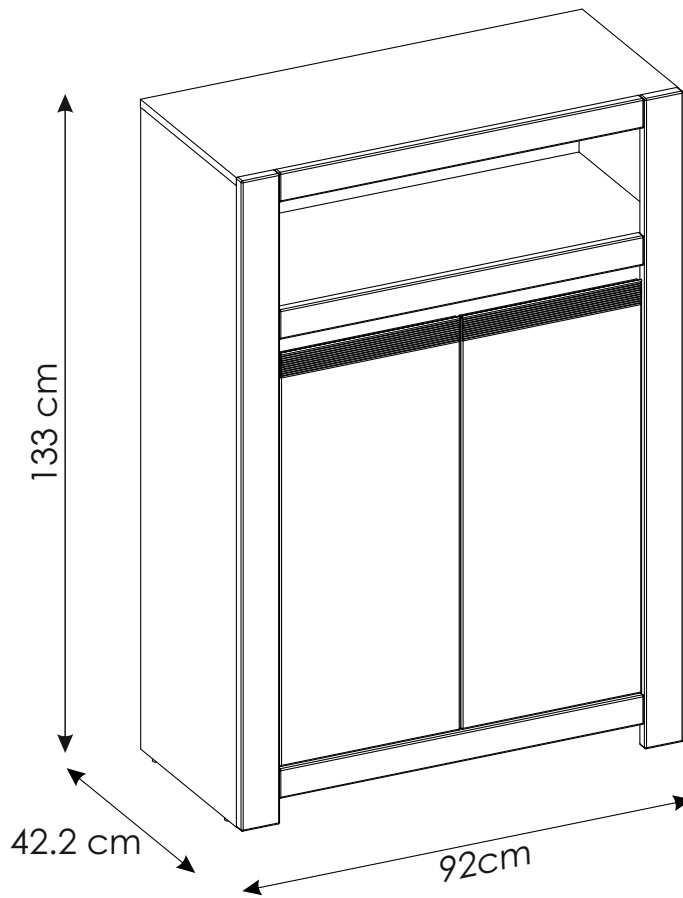
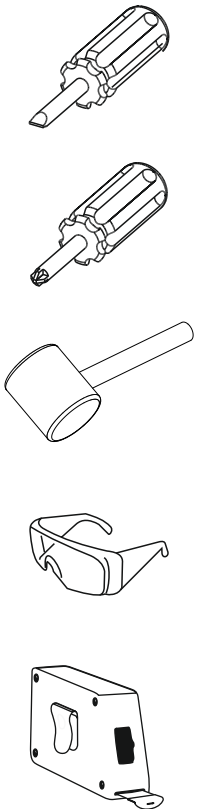
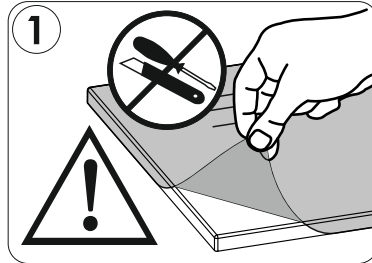
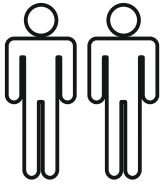


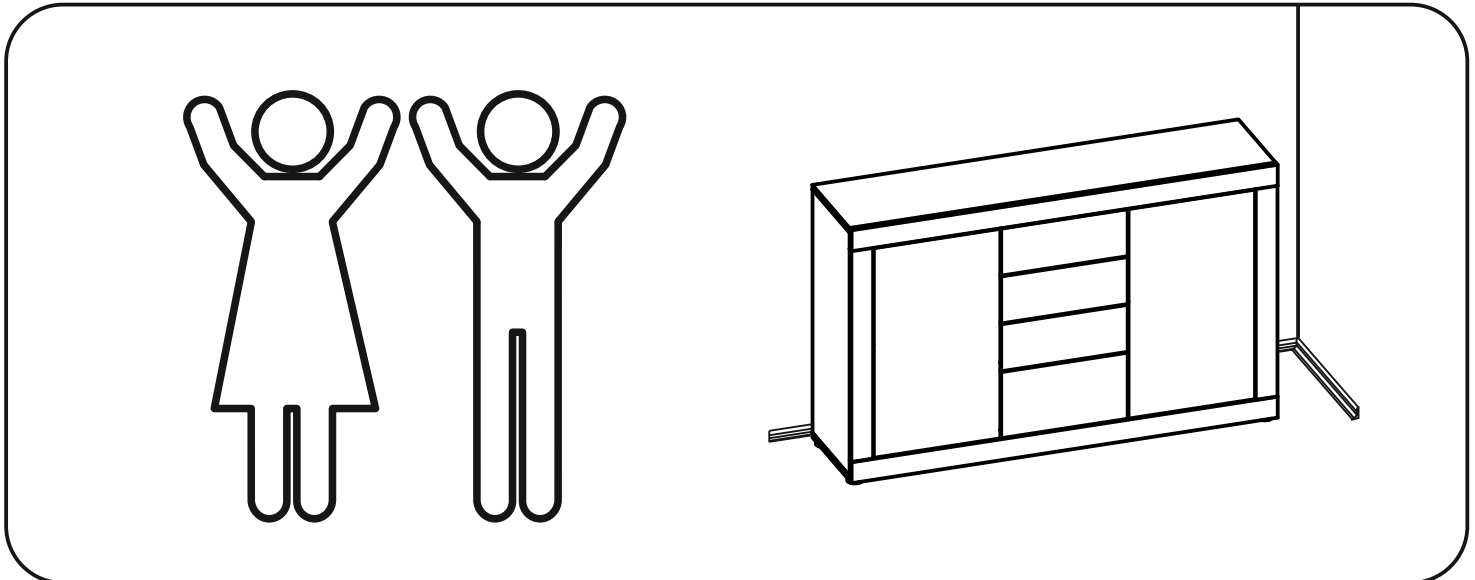
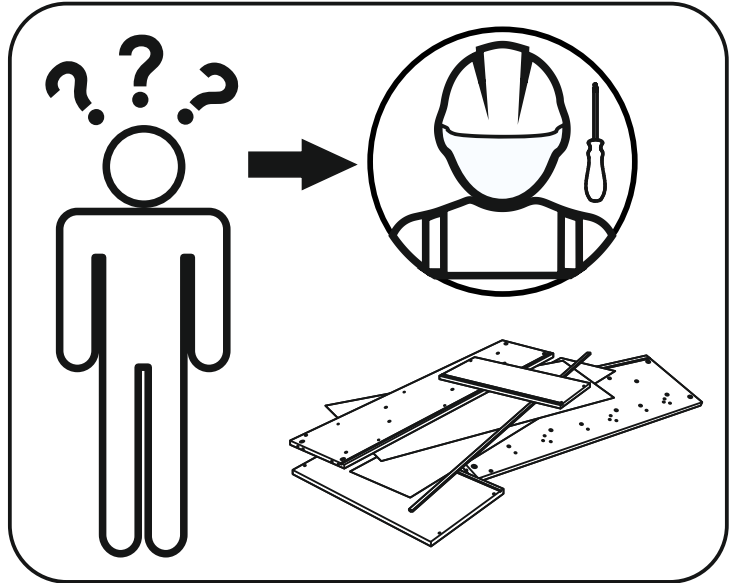
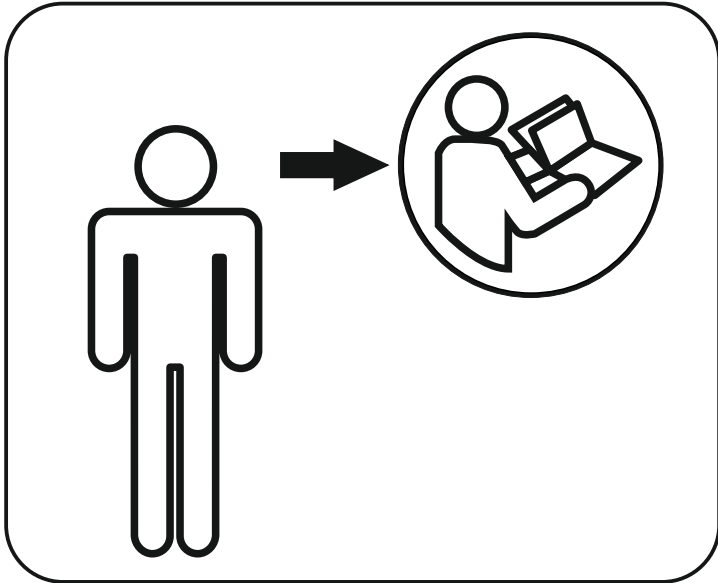
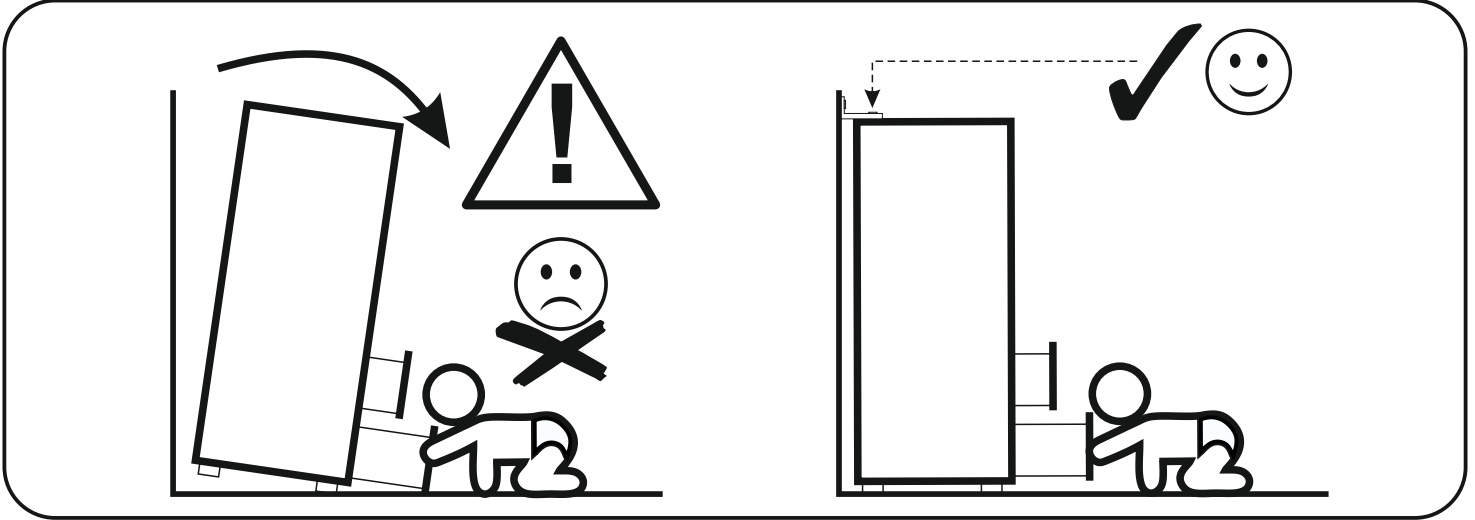
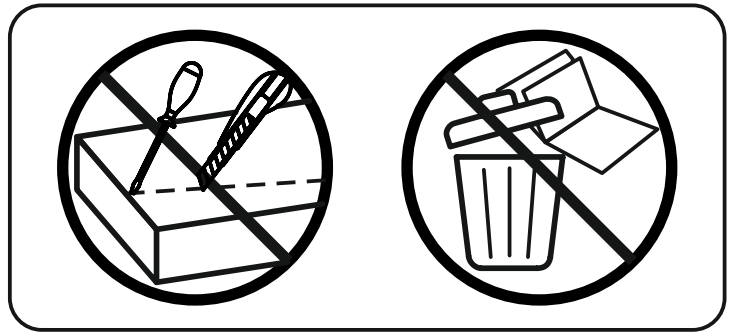
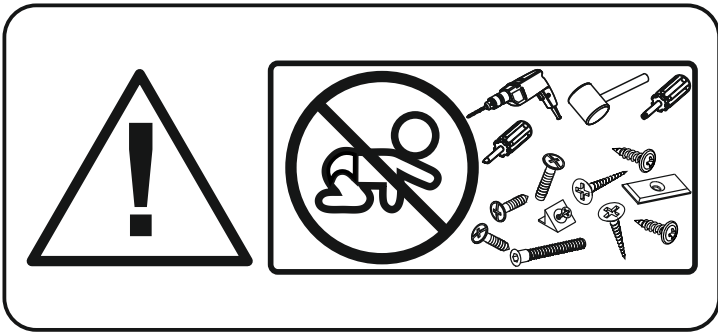
35 ▶





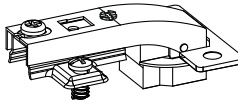



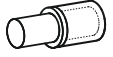

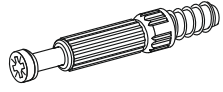


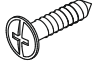

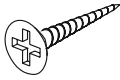

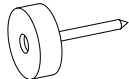
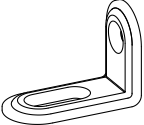
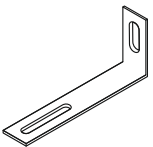
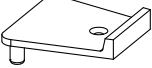
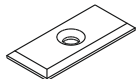
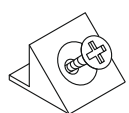

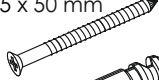
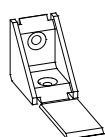
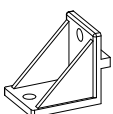
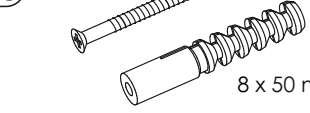
NVIK02

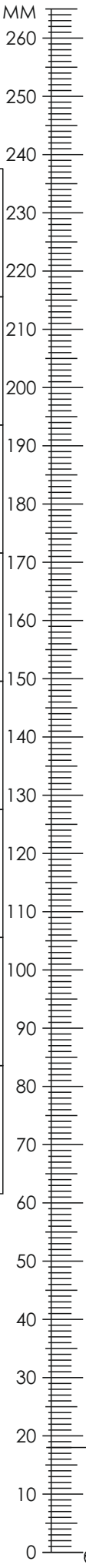
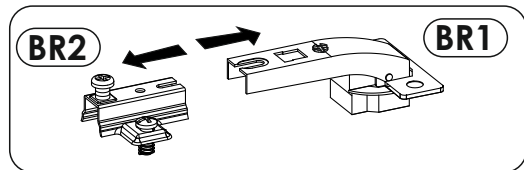
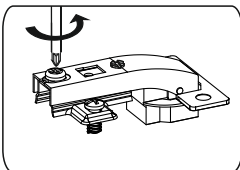




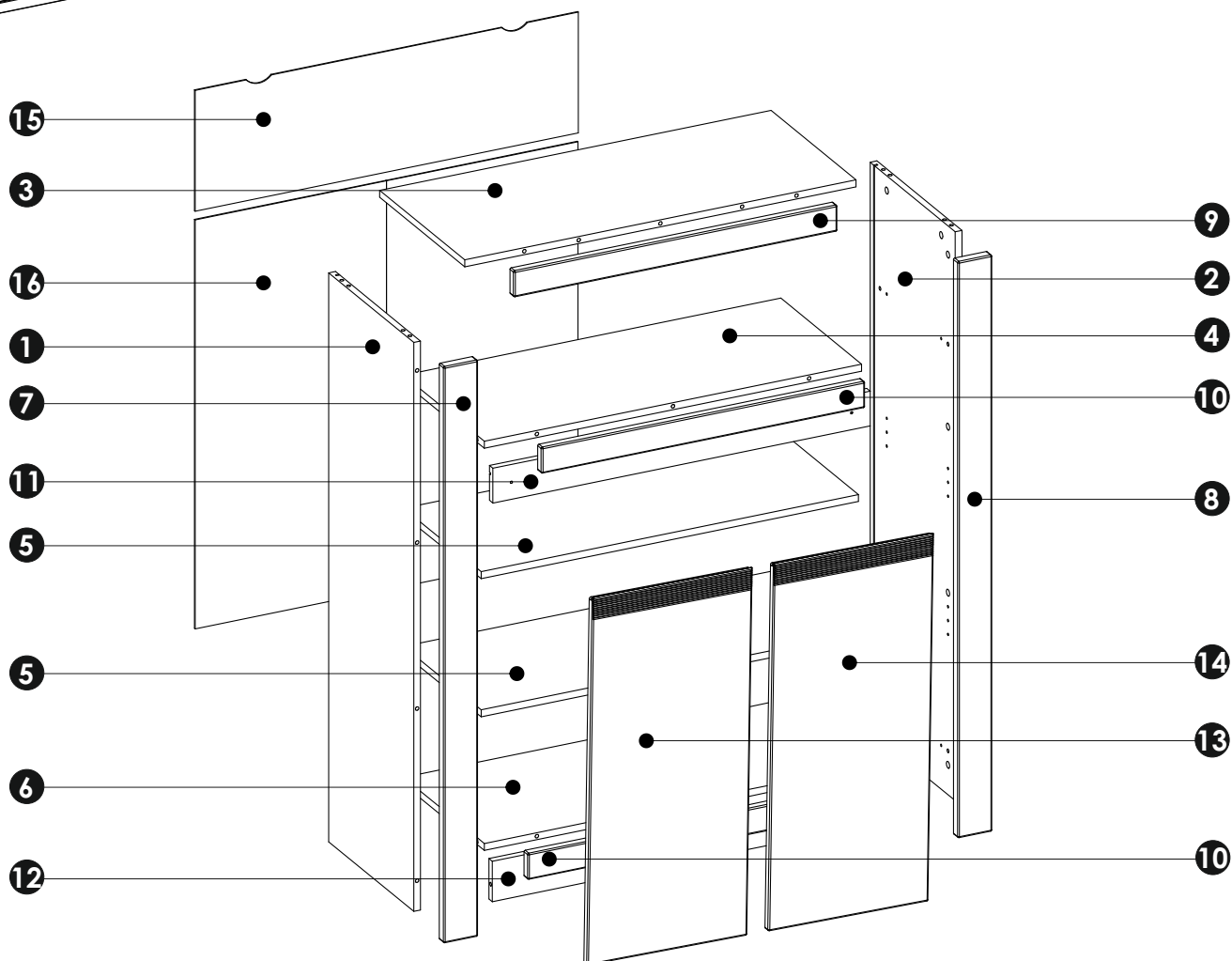
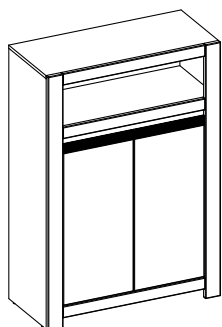
NVIK02

MM

A1	8 x 35 mm	x16	BR1 +		x4	C1	4 x 13 mm	x8
			BR2					
D2		x8	E0		x20	E1	15 x 12 mm	x29
								
F1	6 x 34 mm	x29	I2	4 x 16 mm	x2	I13	3 x 13 mm	x16
								
I18	3,5 x 27 mm	x2	N1	3 x 16 mm	x15	N2	3,5 x 16 mm	x8
								
N3	3 x 13 mm	x1	O2		x6	Q2		x2
								
Q9		x2	Q12		x1	R1		x6
								
R4		x8	R8		x4	S13	5 x 50 mm	x2
								
W		x2	W13		x4	Z	8 x 50 mm	x1
								

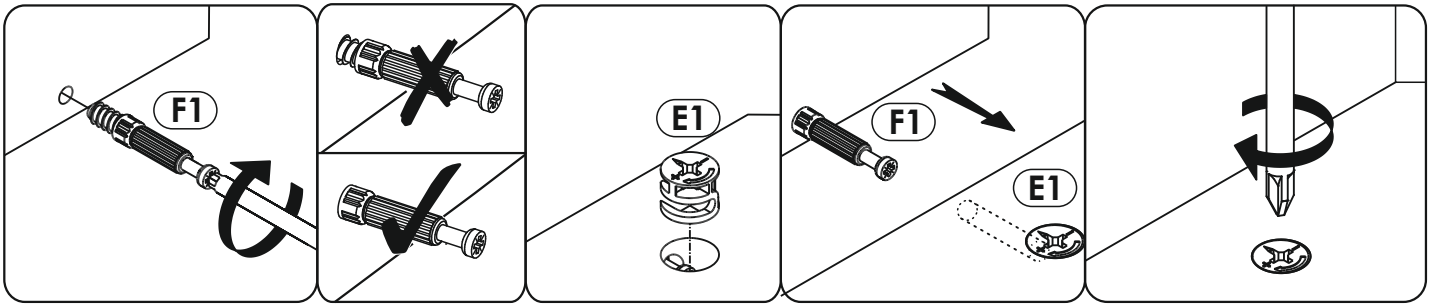


NVIK02

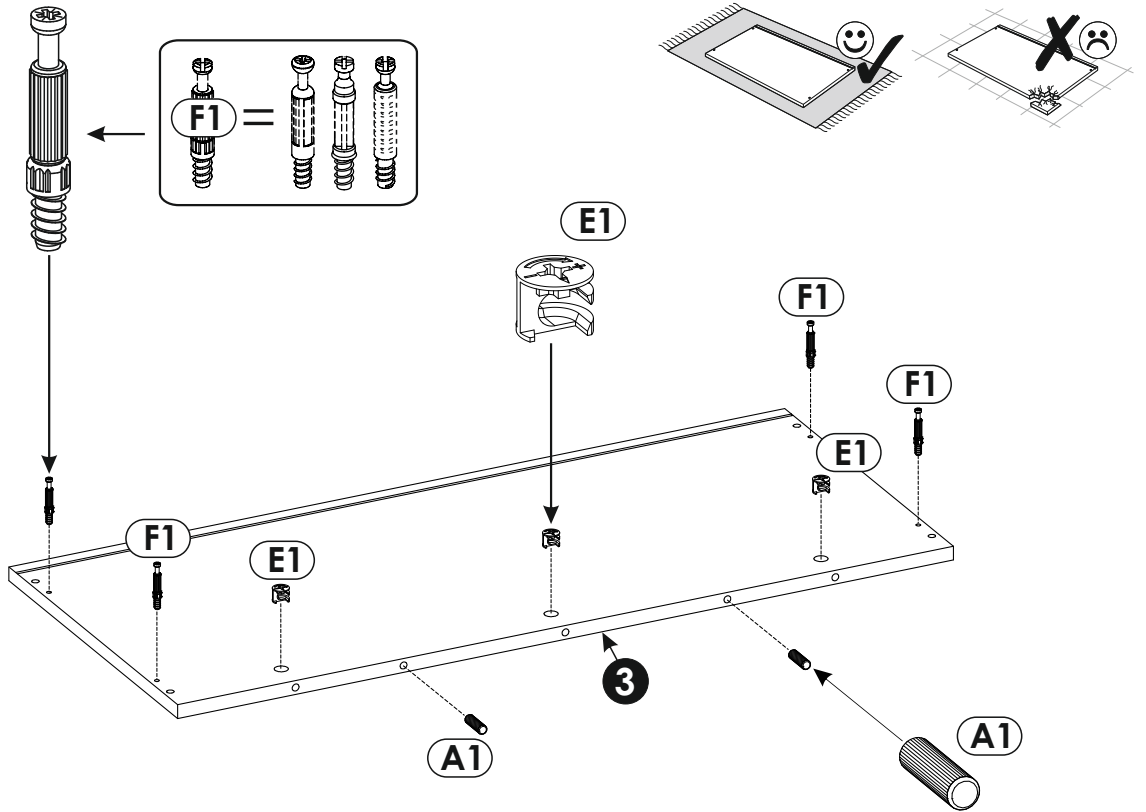


1	1309	400	16 x1	2/2
2	1309	400	16 x1	2/2
3	920	400	16 x1	1/2
4	887	380	16 x1	1/2
5	887	365	16 x2	1/2
6	887	380	16 x1	1/2
7	1326	80	22 x1	2/2
8	1326	80	22 x1	2/2

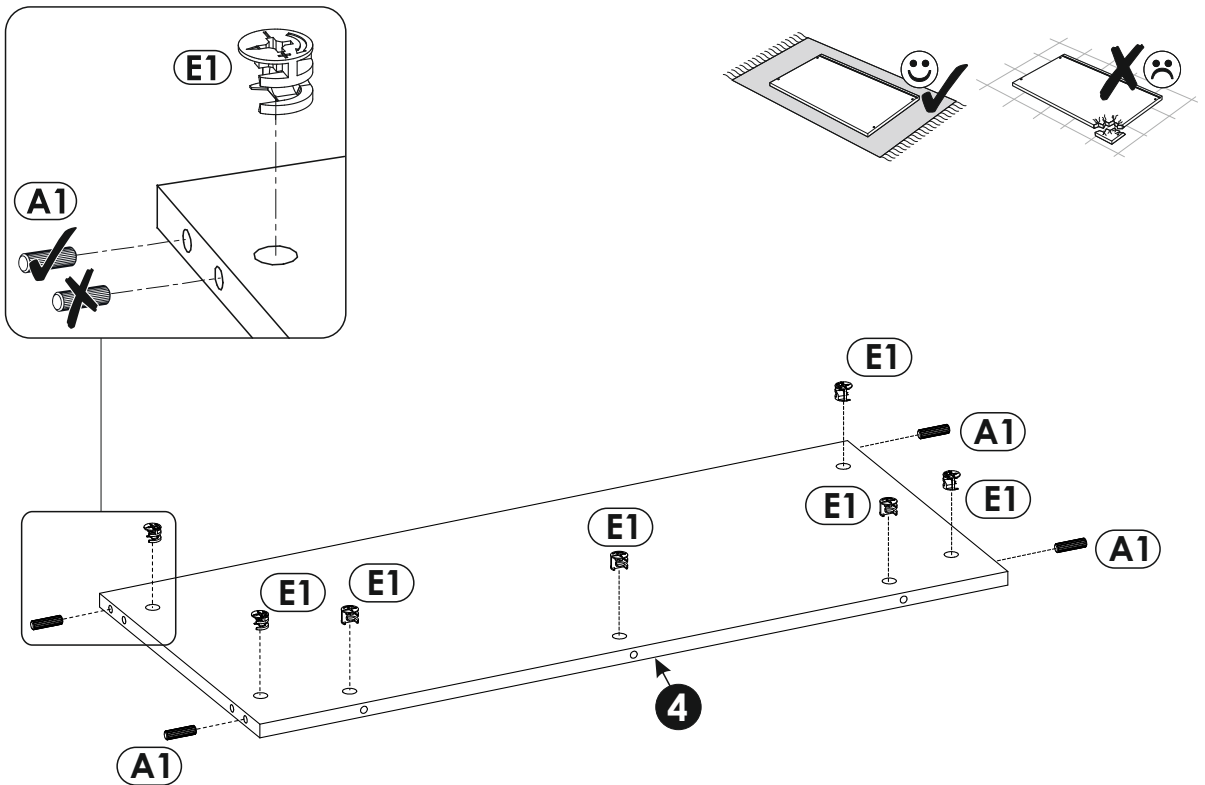
9	760	60	19 x1	2/2
10	760	60	19 x2	2/2
11	887	80	16 x1	1/2
12	887	93	16 x1	1/2
13	843	376	16 x1	1/2
14	843	376	16 x1	1/2
15	901	278	3 x1	1/2
16	941	900	3 x1	2/2



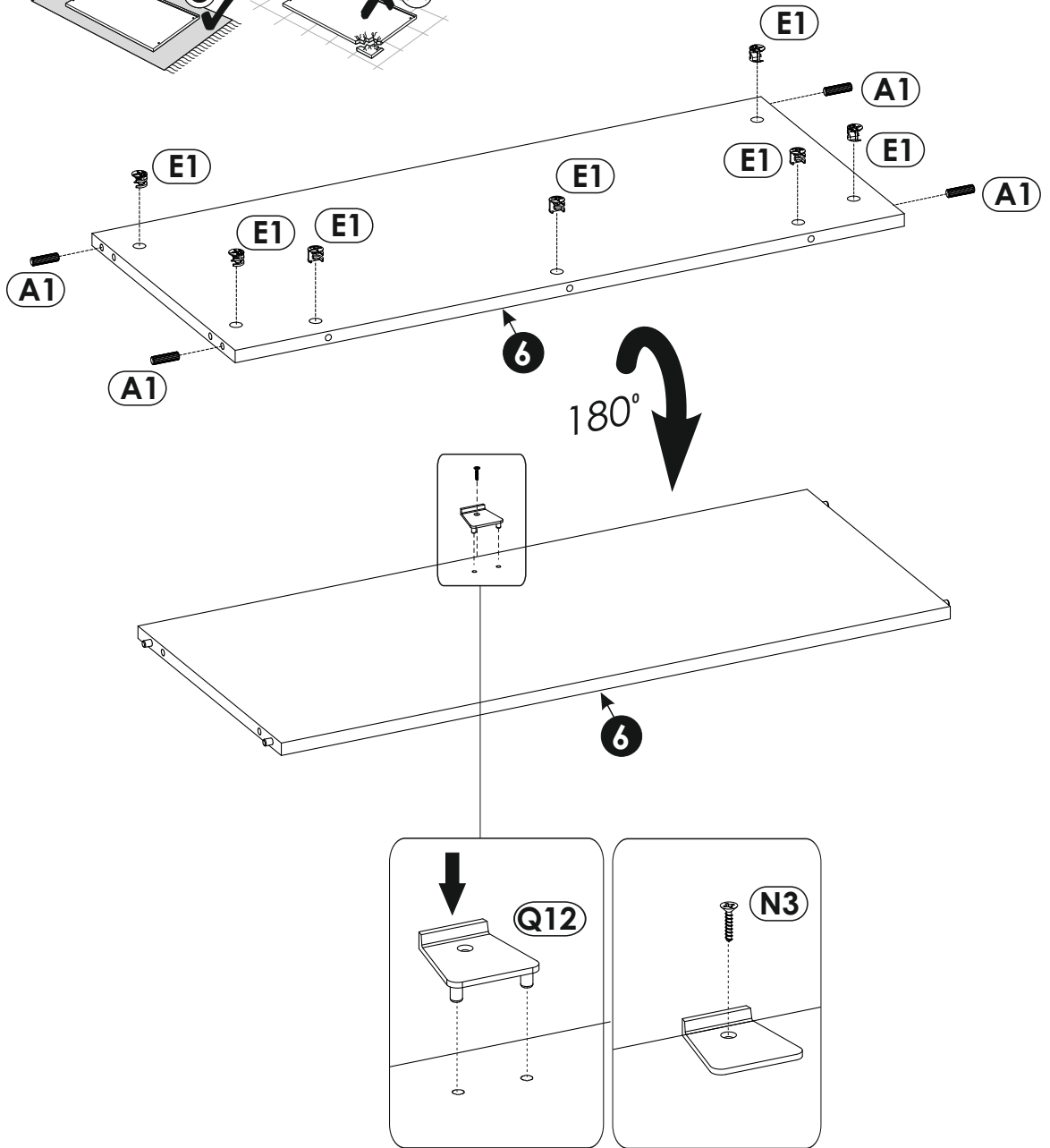
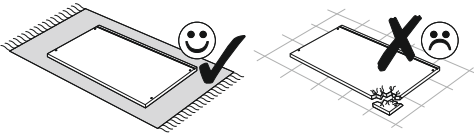
1 ▶



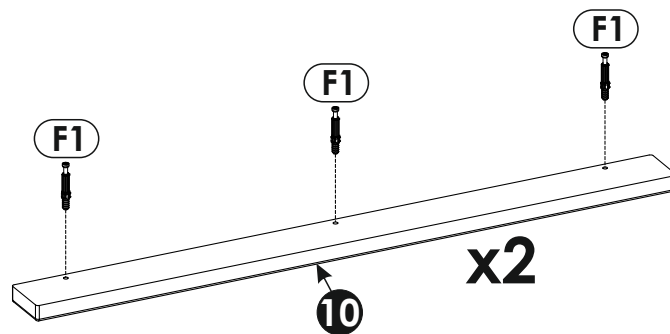
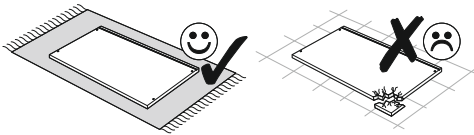
2 ▶



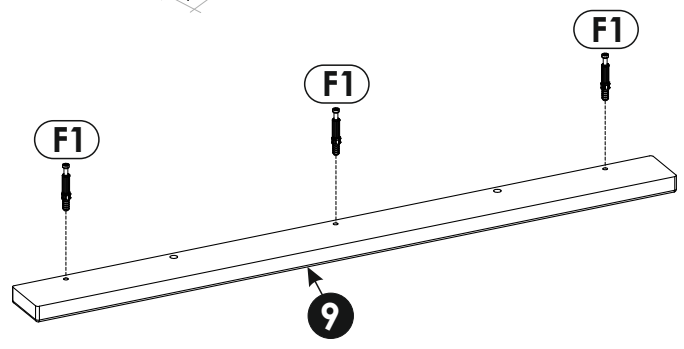
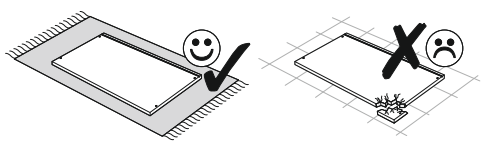
3 ▶



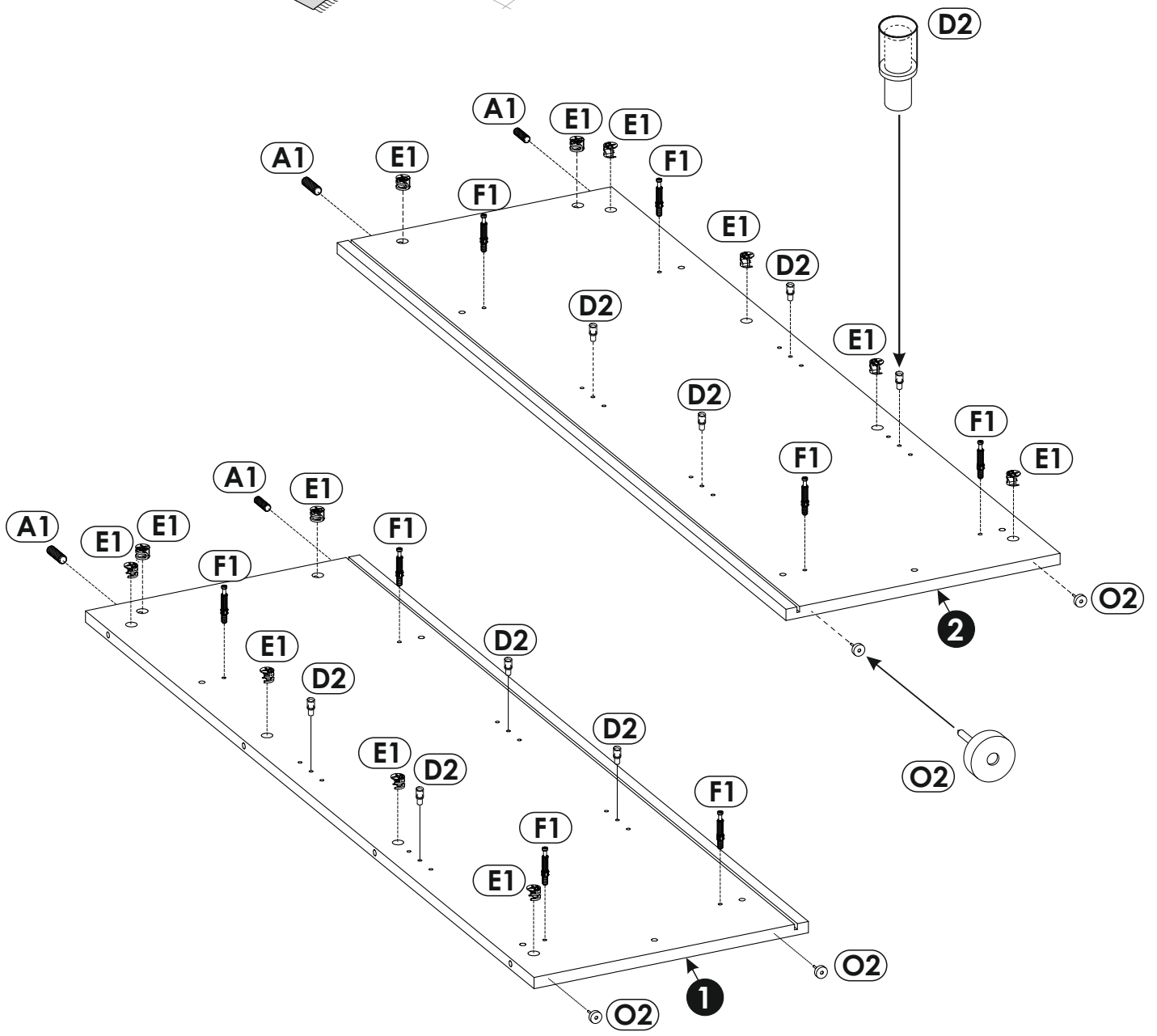
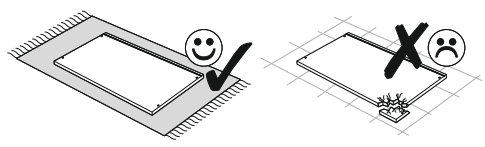
4 ▶



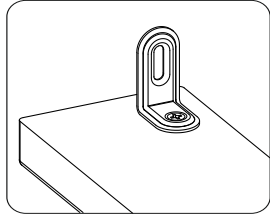
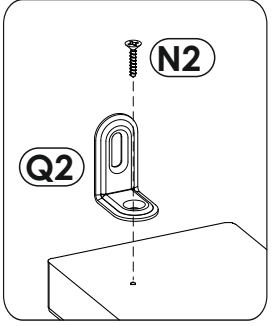
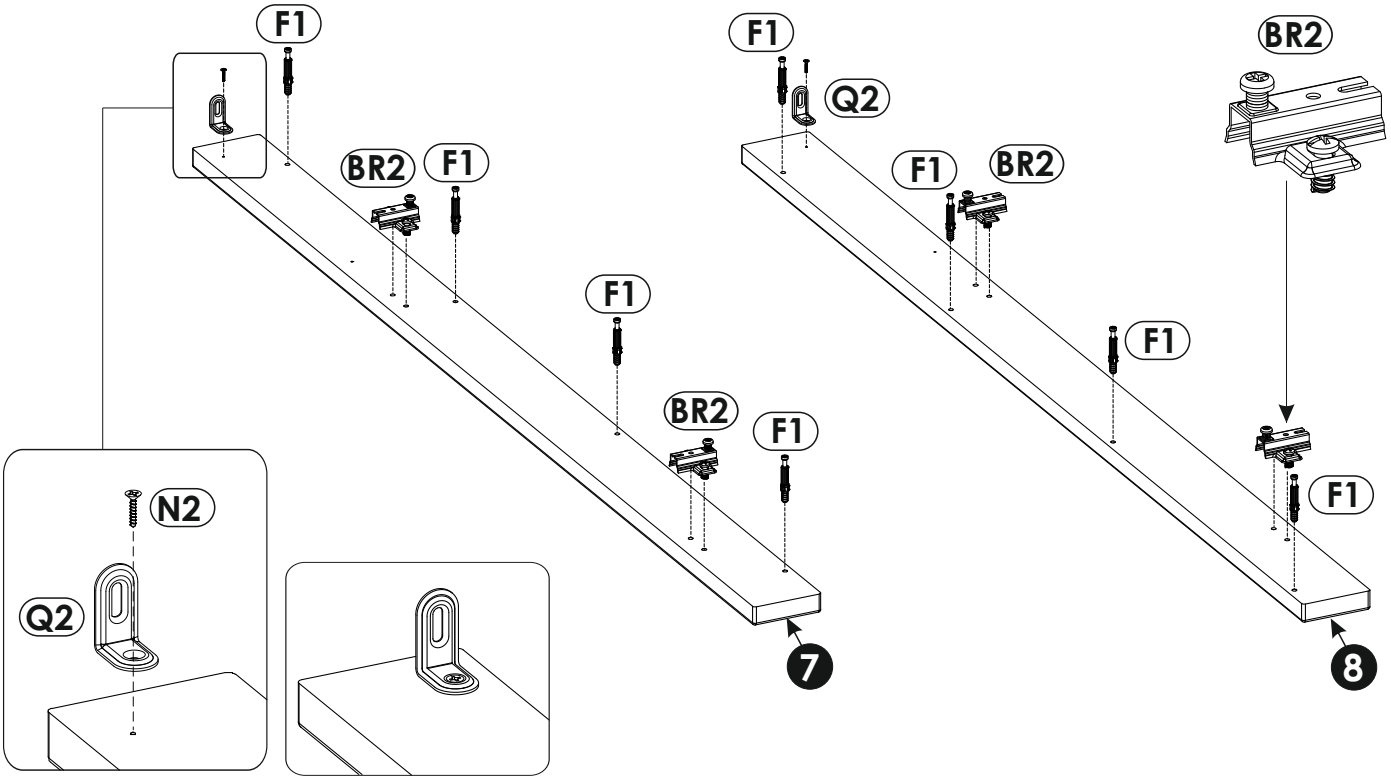
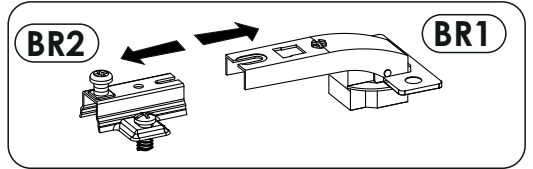
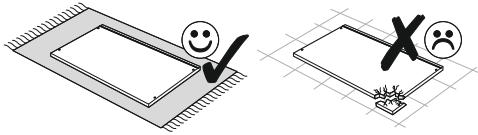
5 ▶



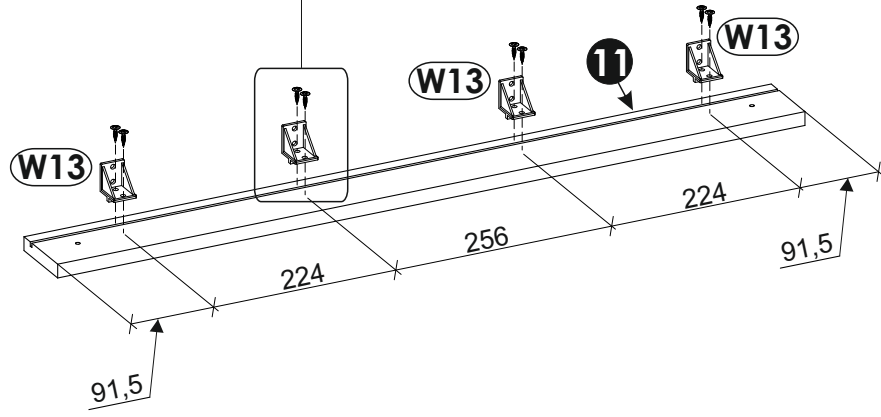
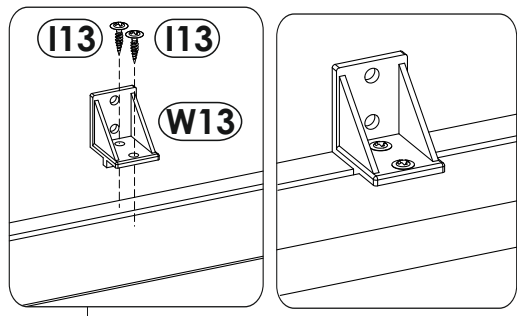
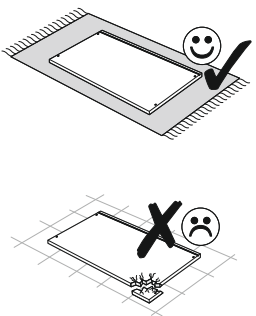
6 ▶



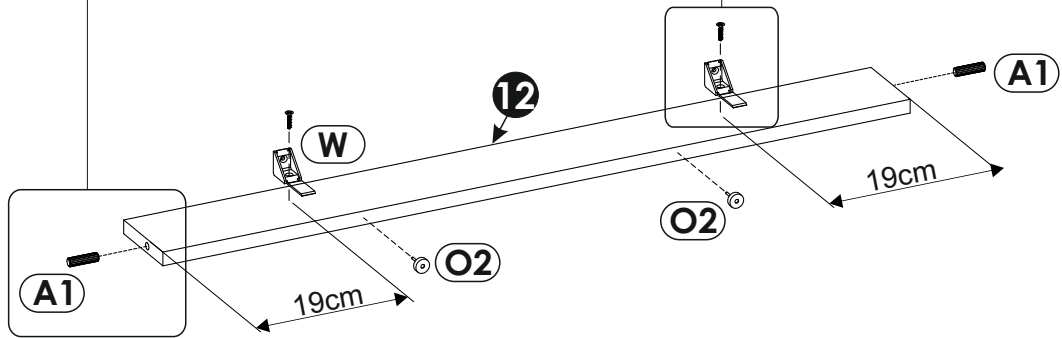
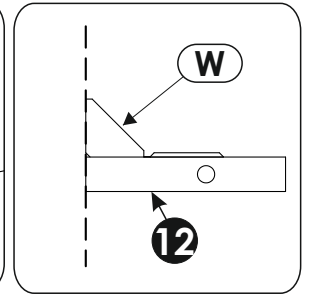
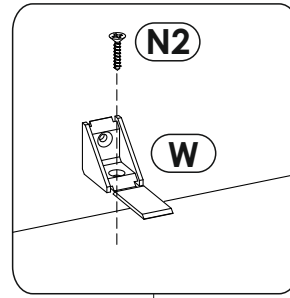
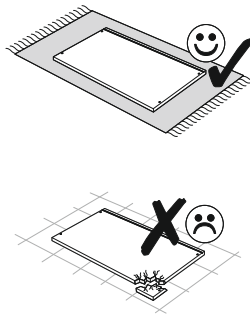
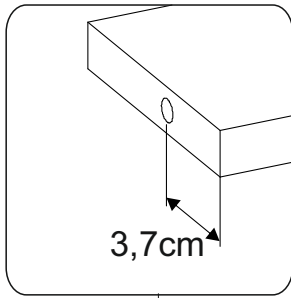
7 ▶



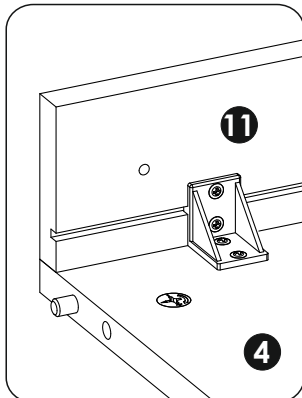
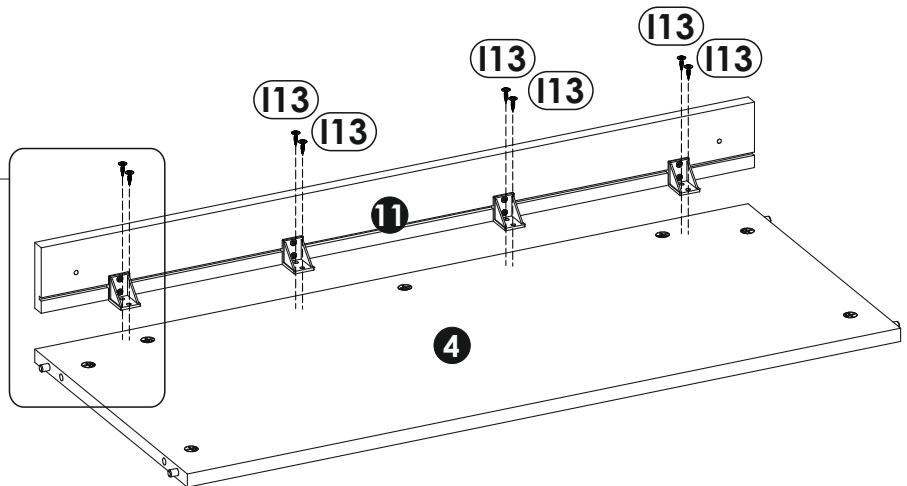
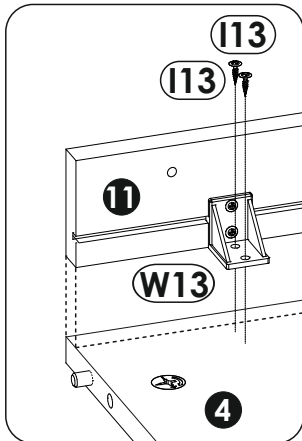
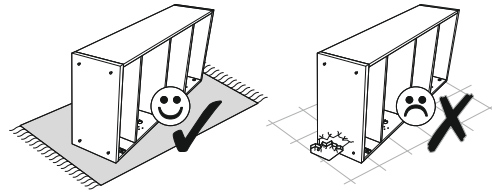
8 ▶



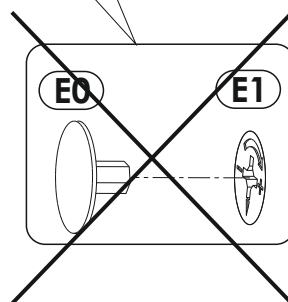
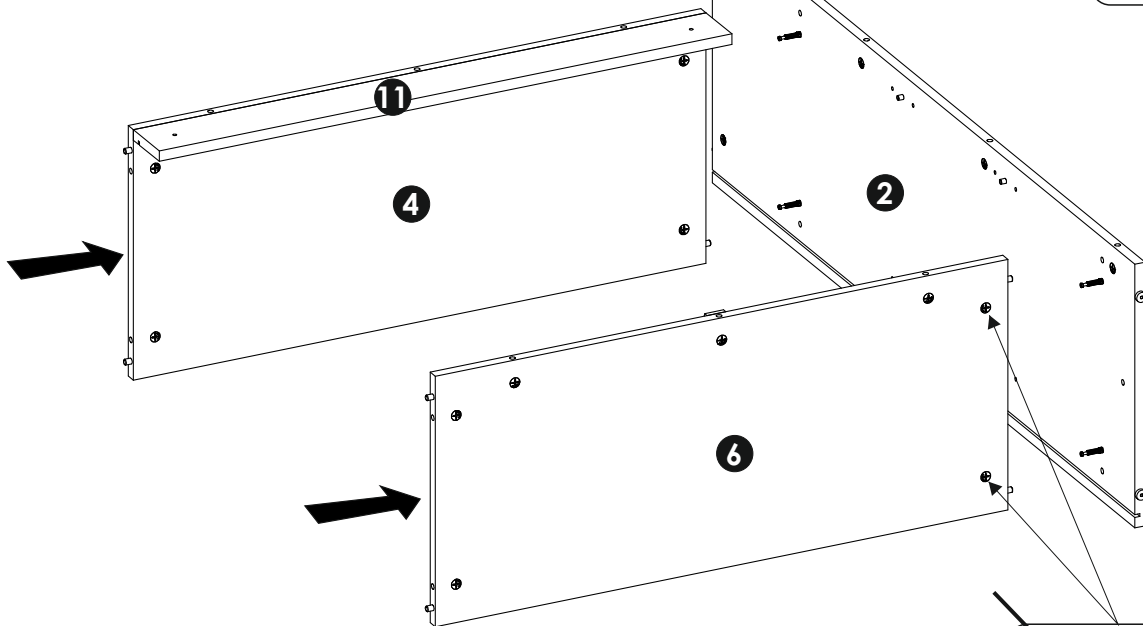
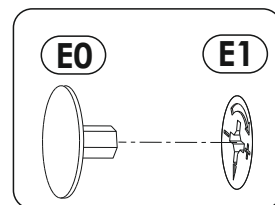
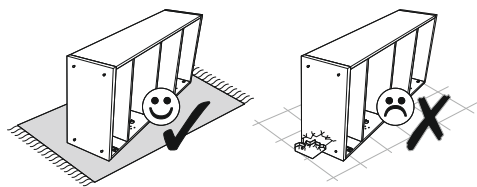
9 ▶



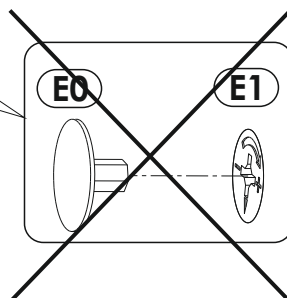
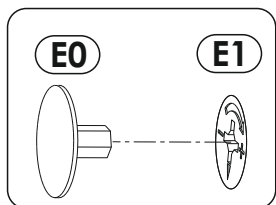
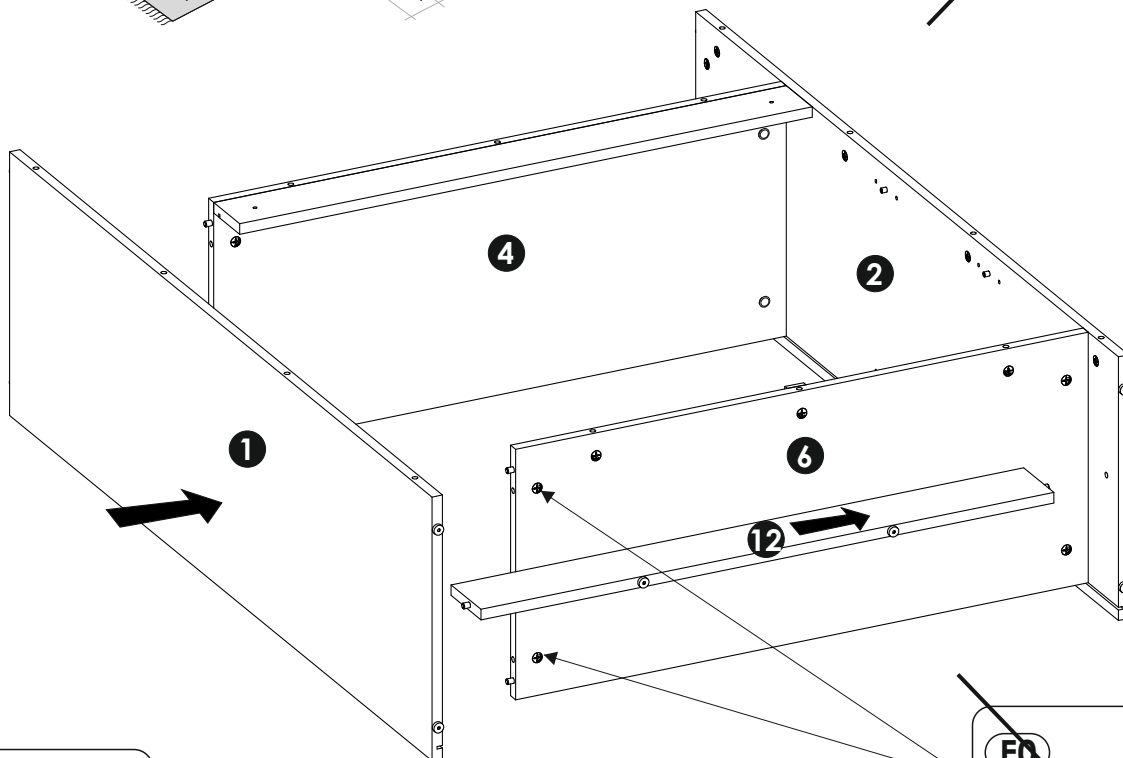
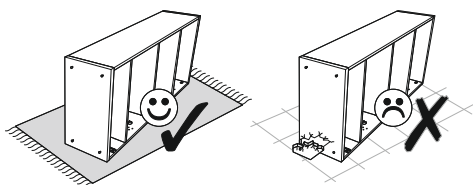
10 ▶



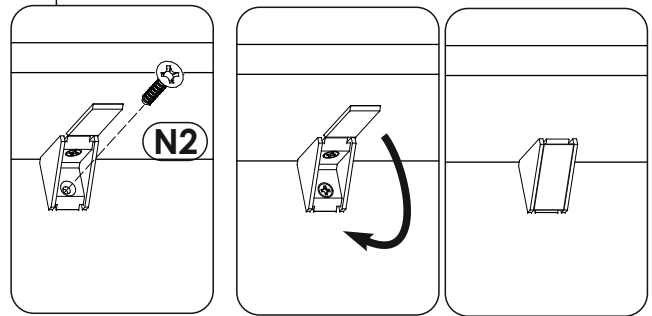
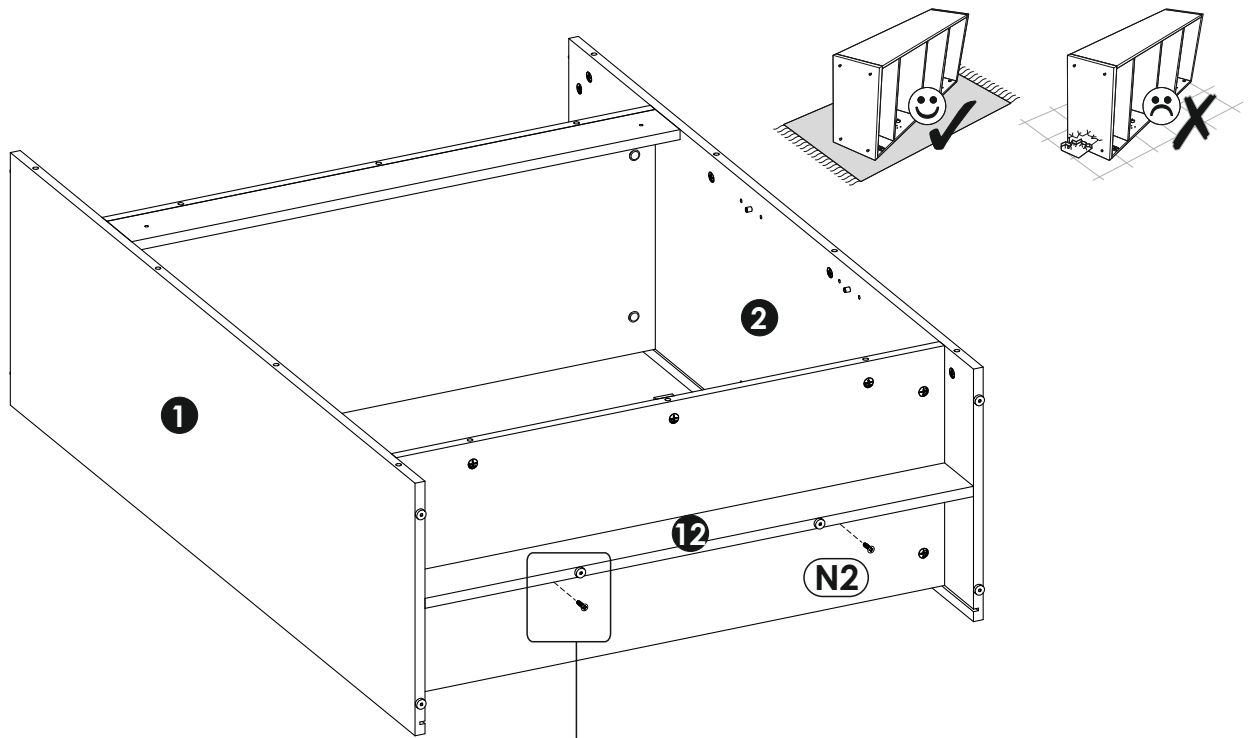
11 ▶



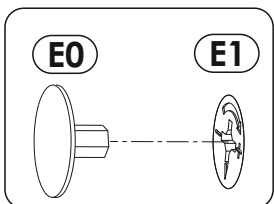
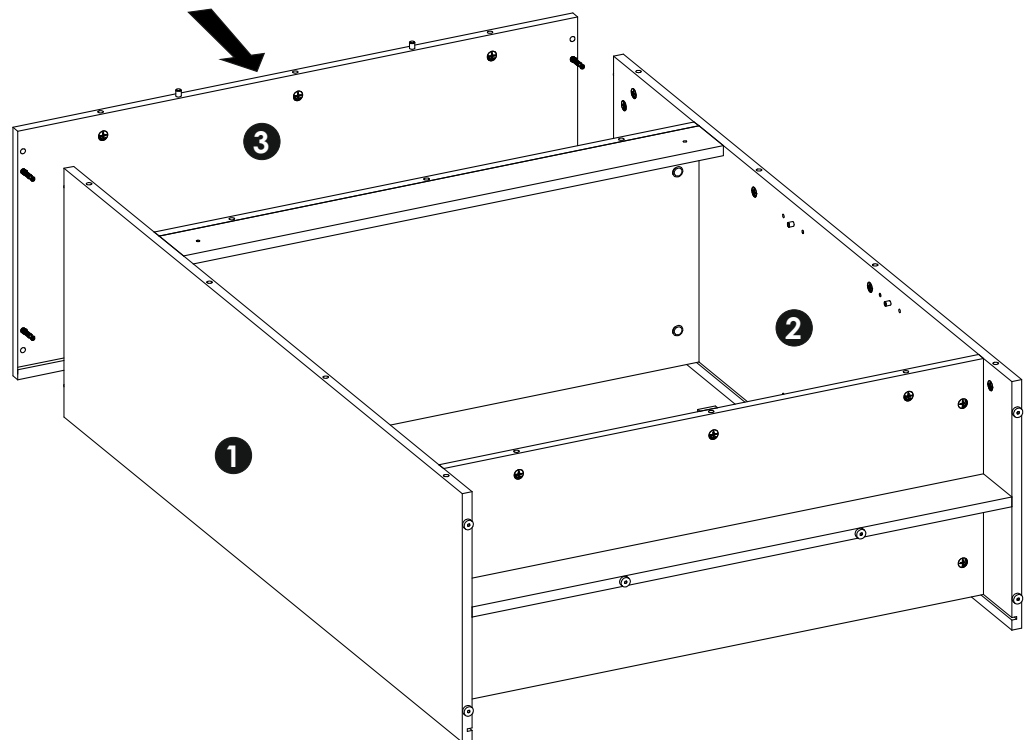
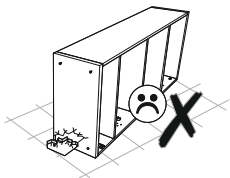
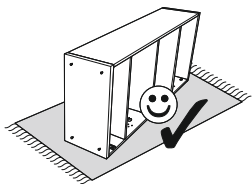
12 ▶



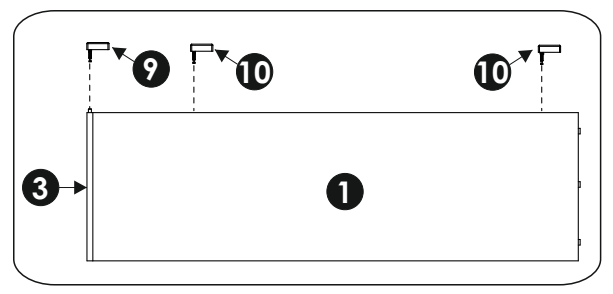
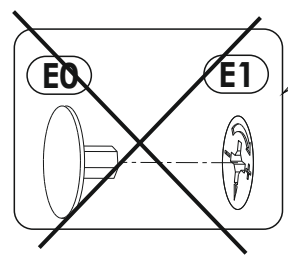
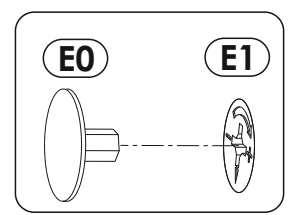
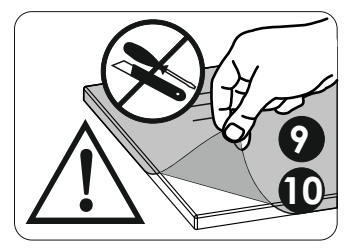
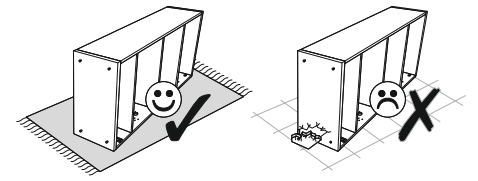
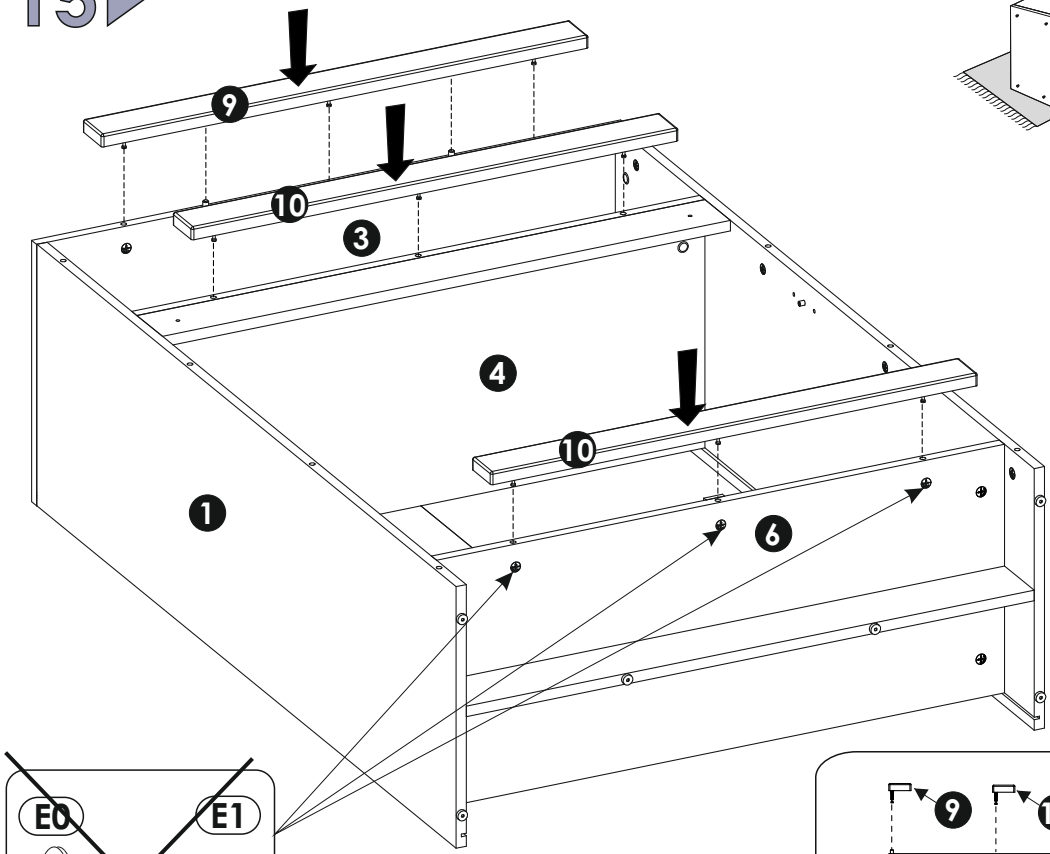
13 ▶



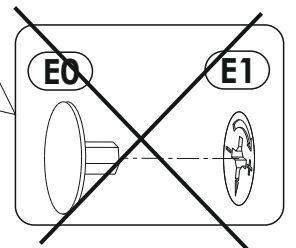
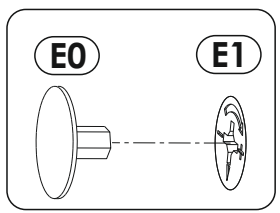
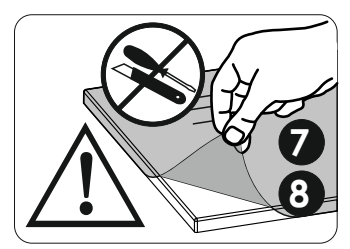
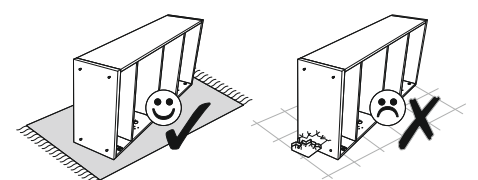
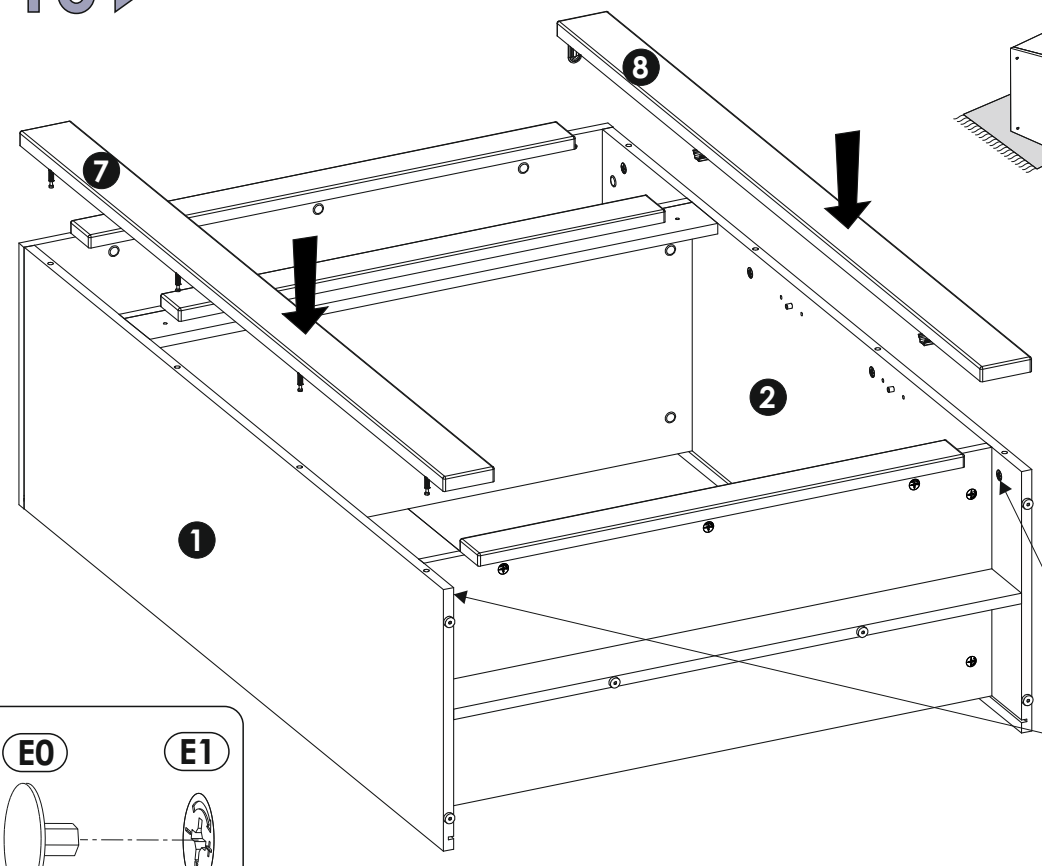
14 ▶



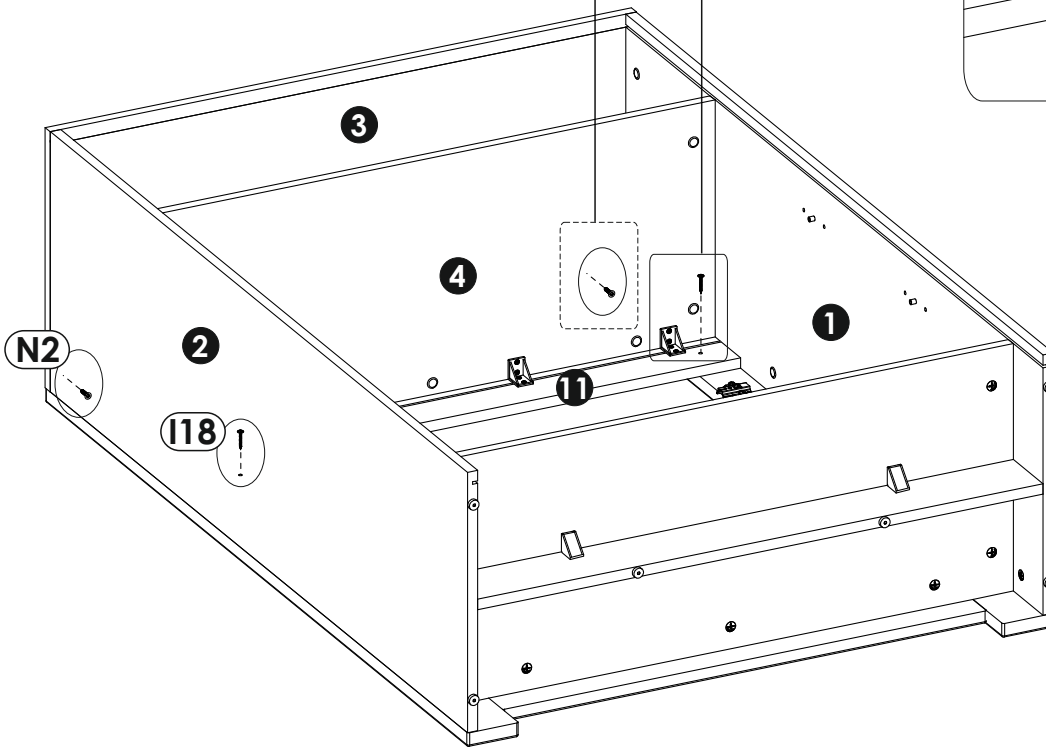
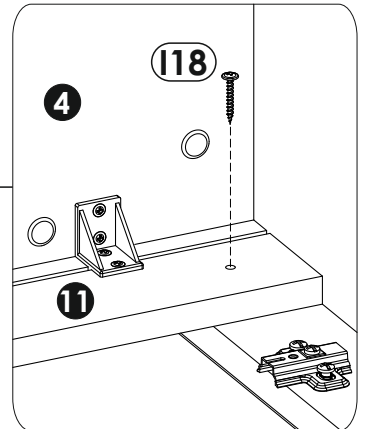
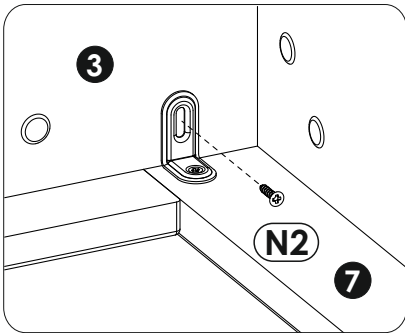
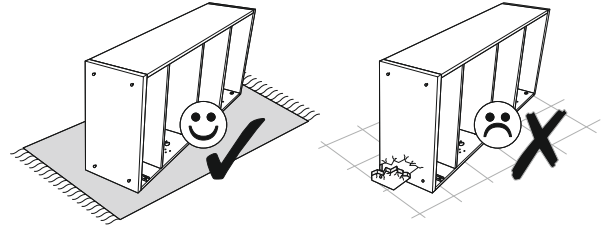
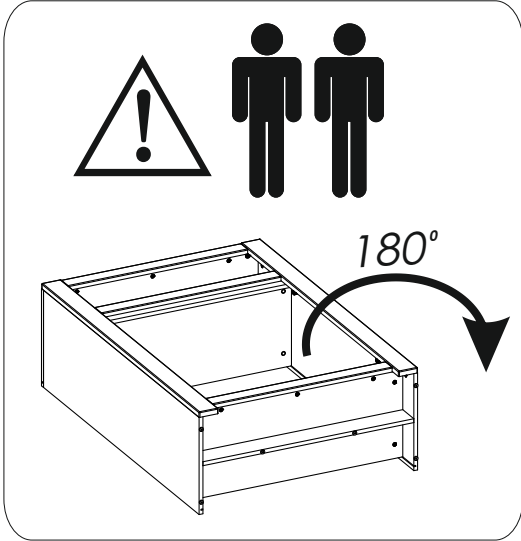
15 ▶



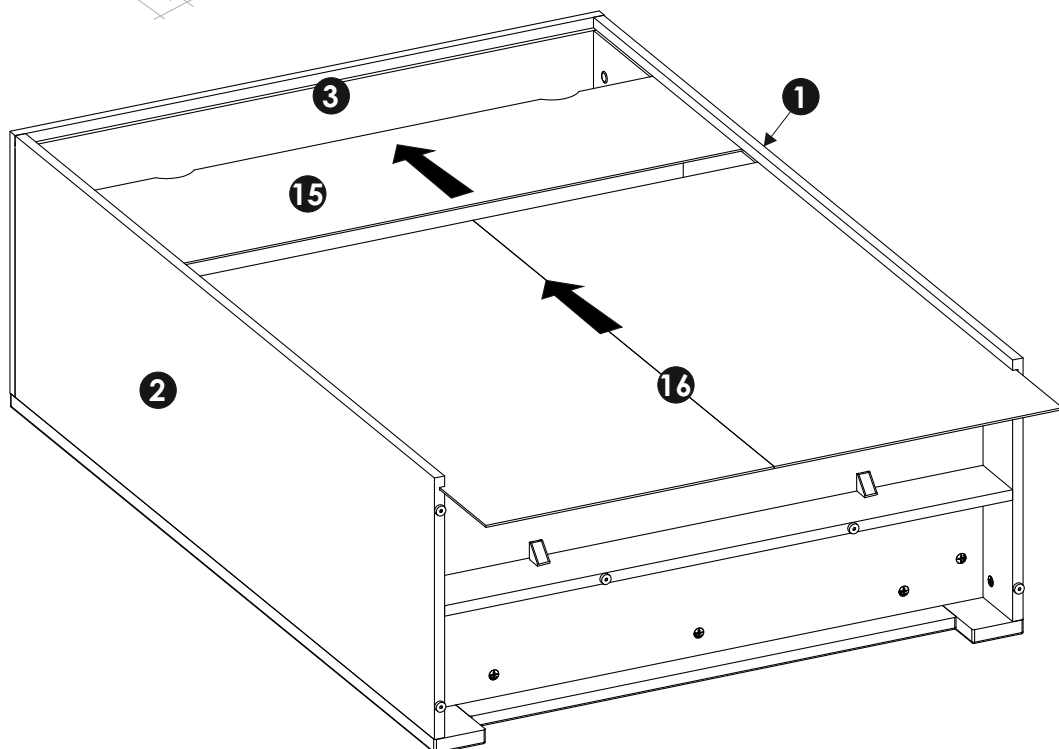
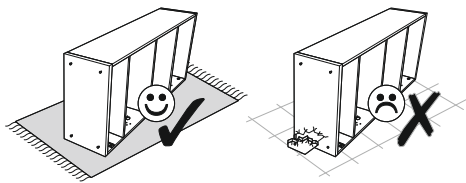
16 ▶



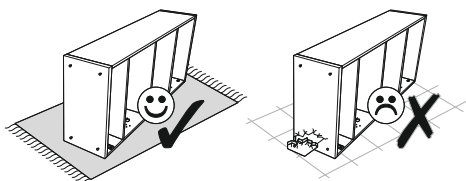
17 ▶



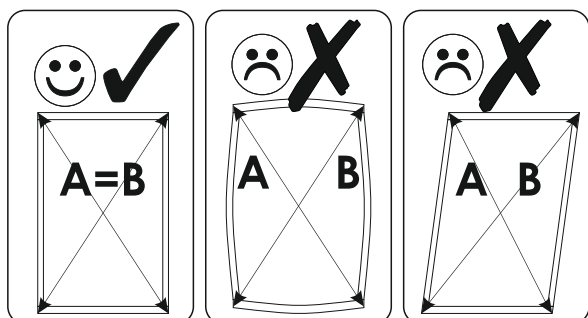
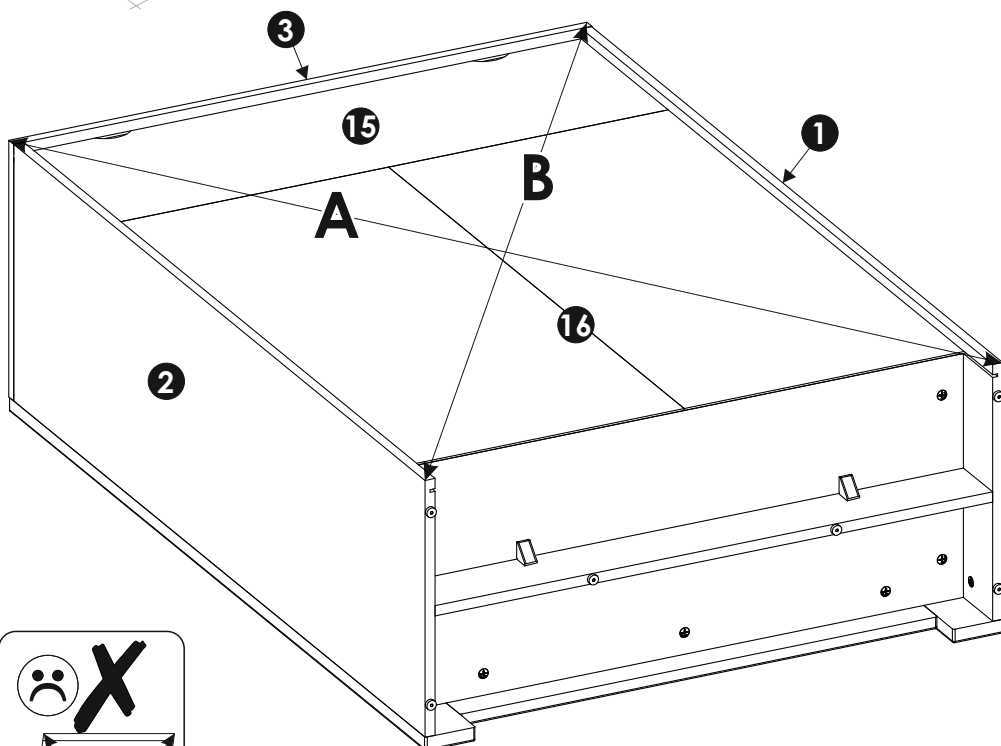
18 ▶



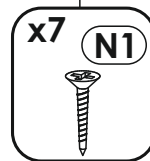
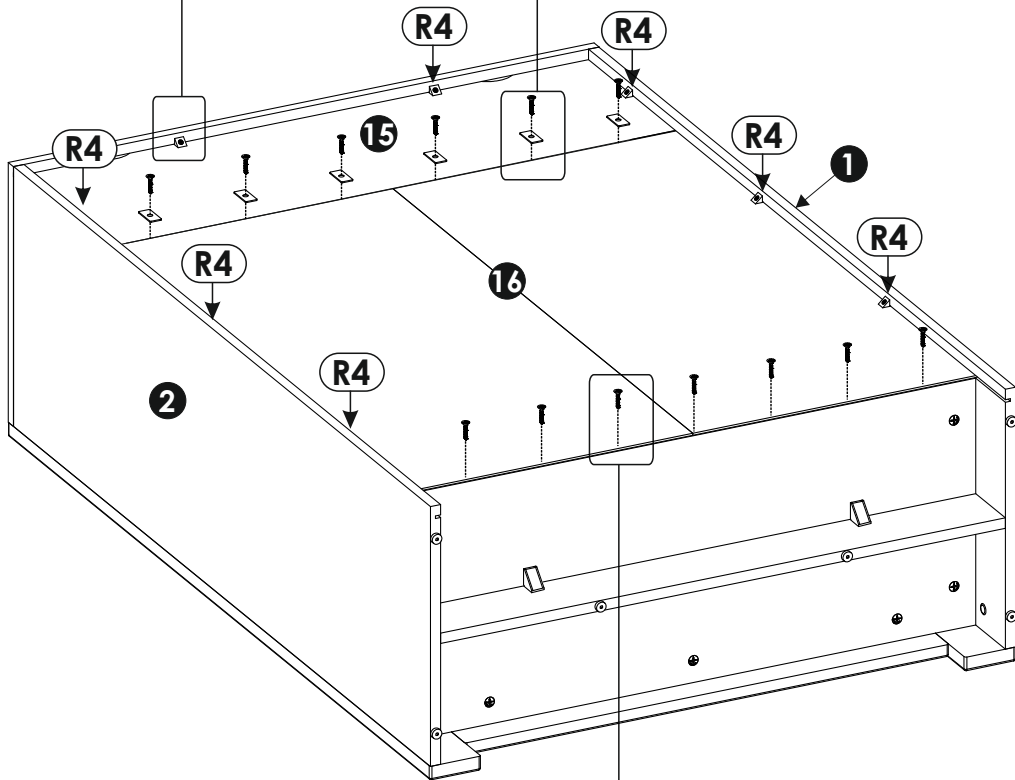
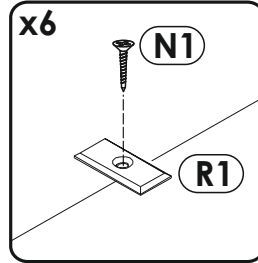
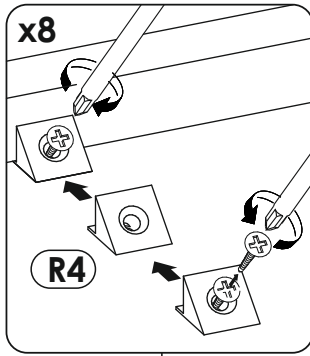
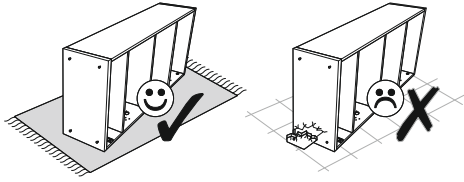
19 ▶



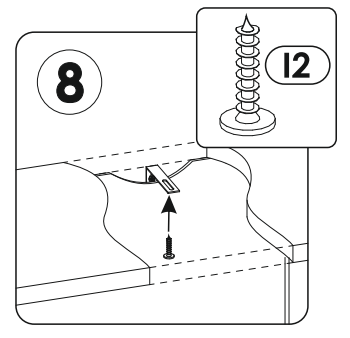
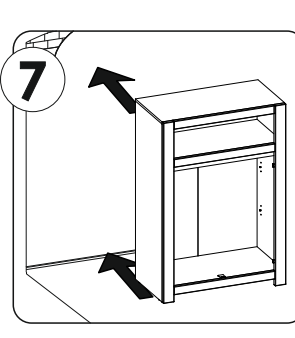
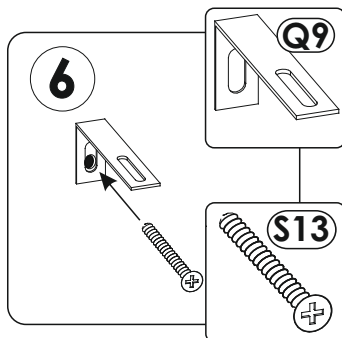
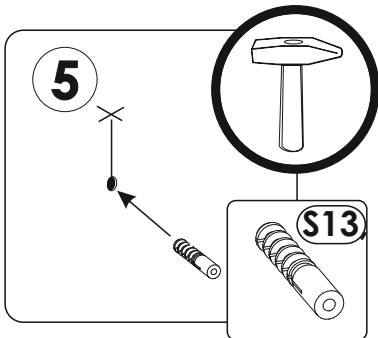
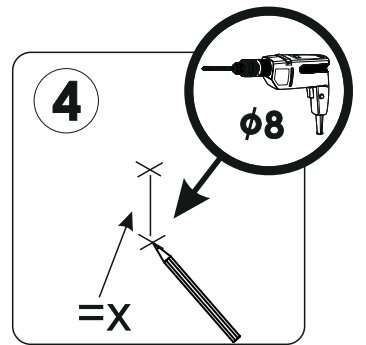
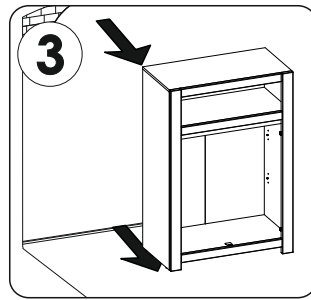
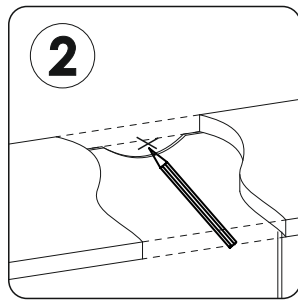
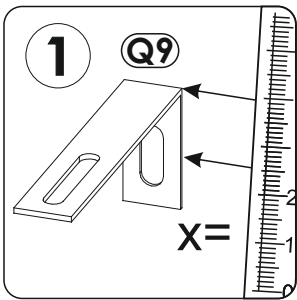
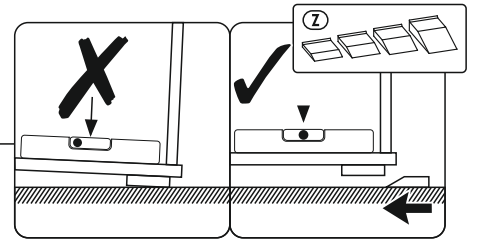
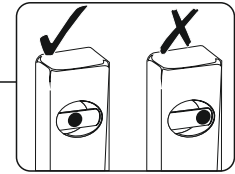
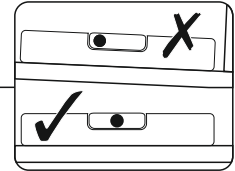
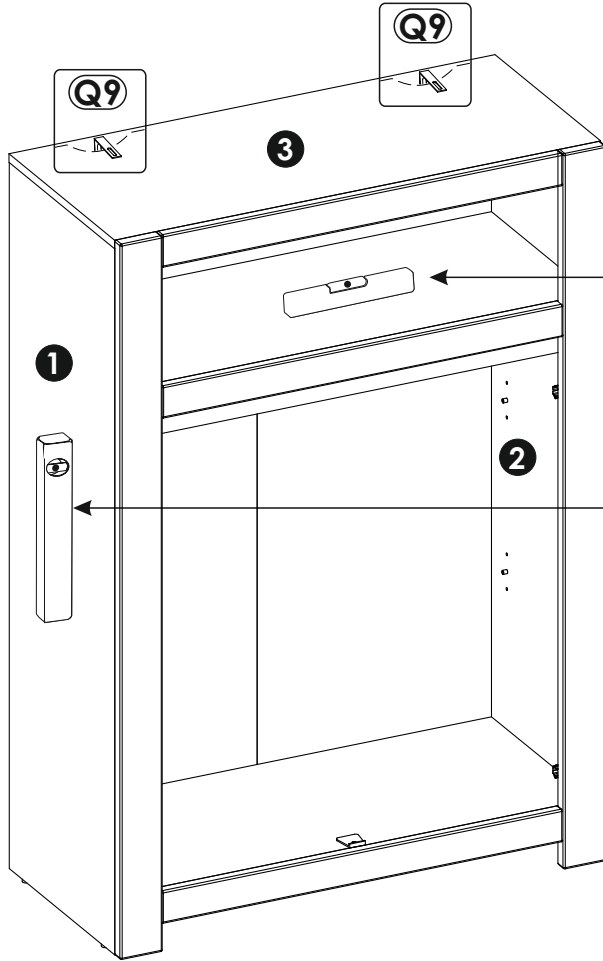
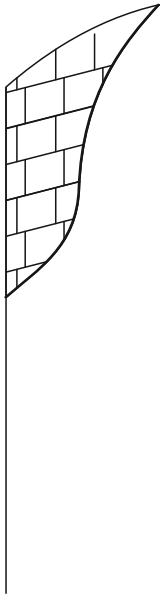
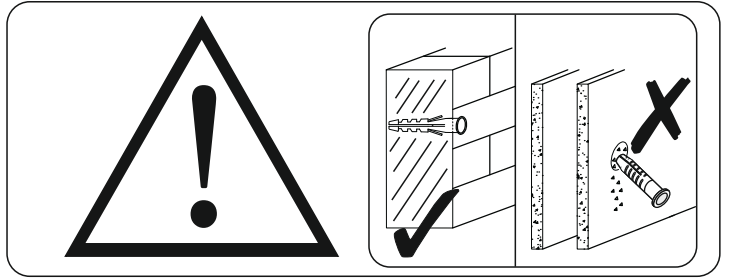
A=B



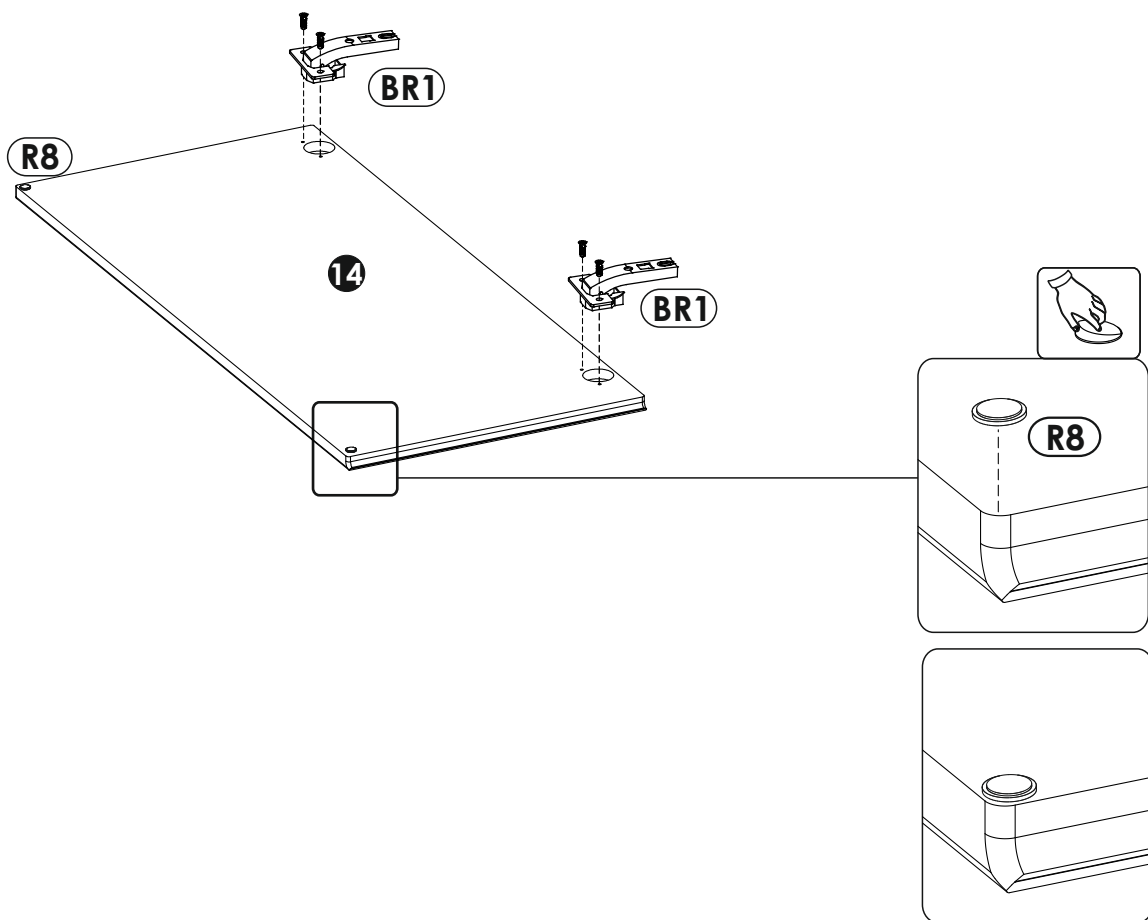
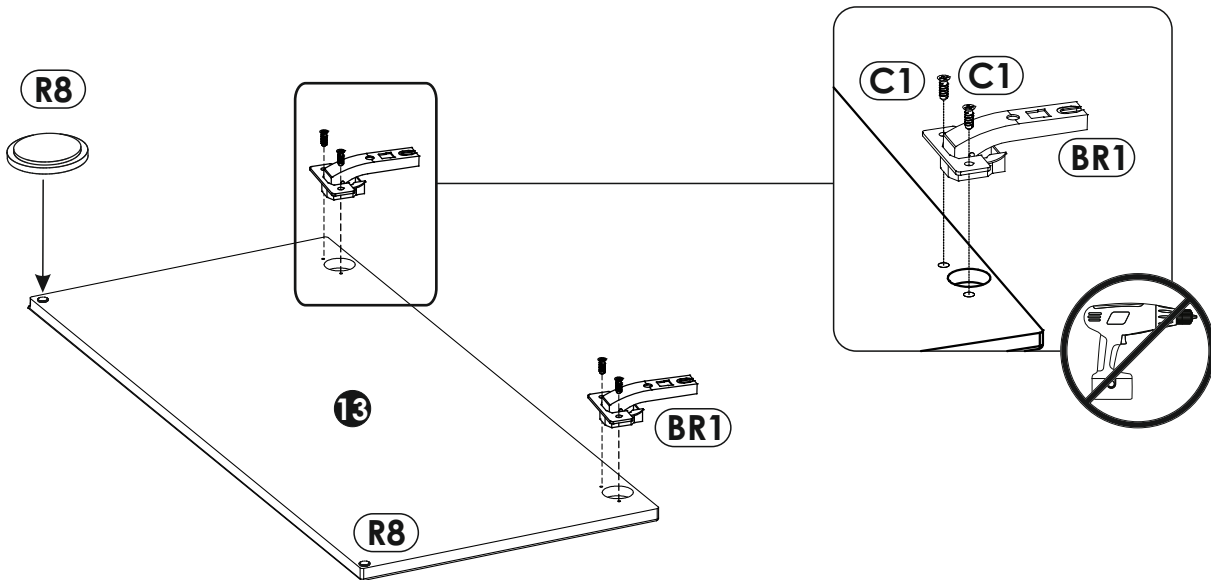
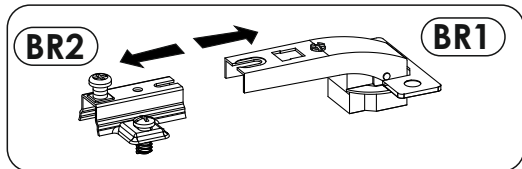
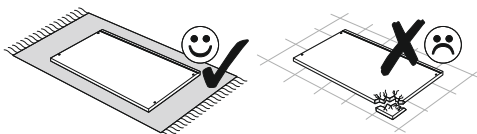
20 ▶



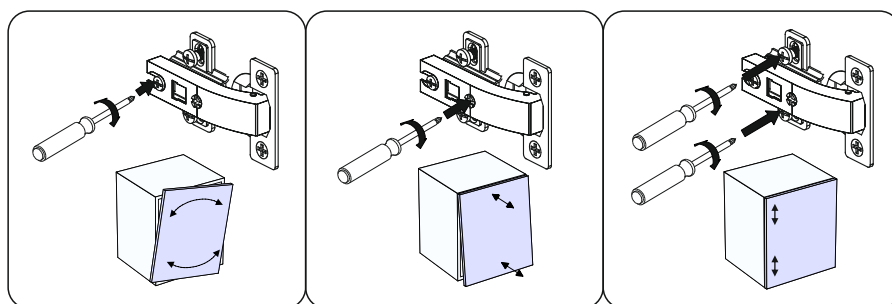
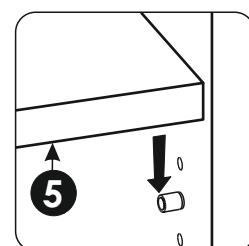
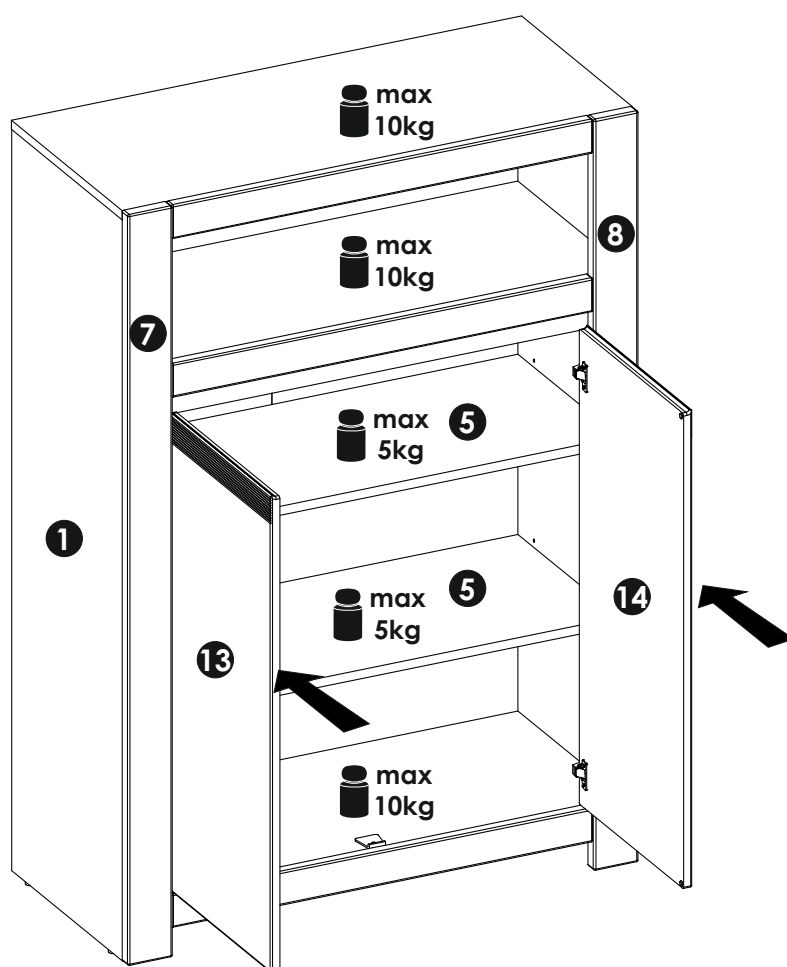
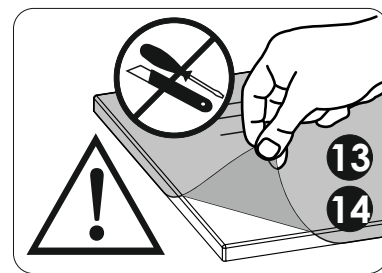
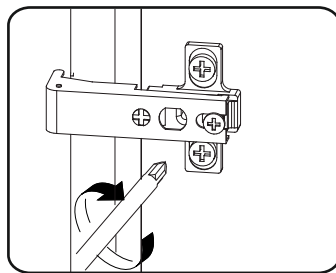
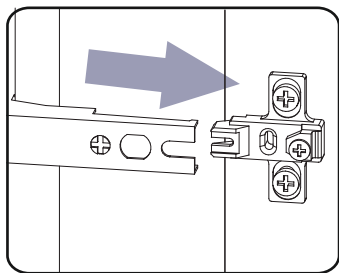
21 ▶

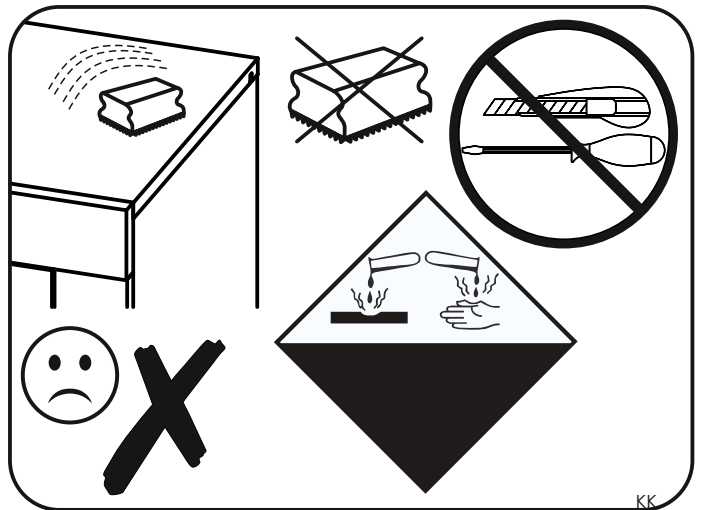
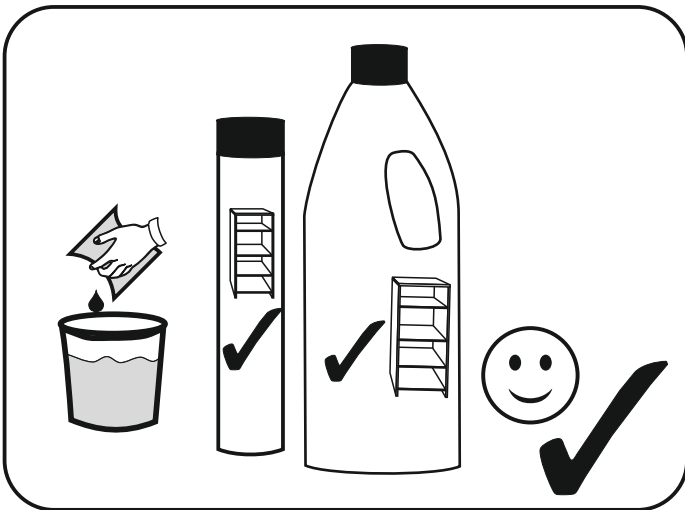
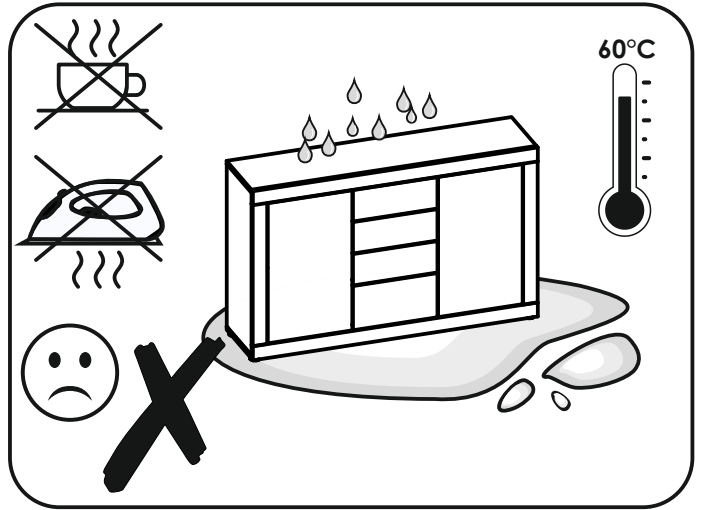
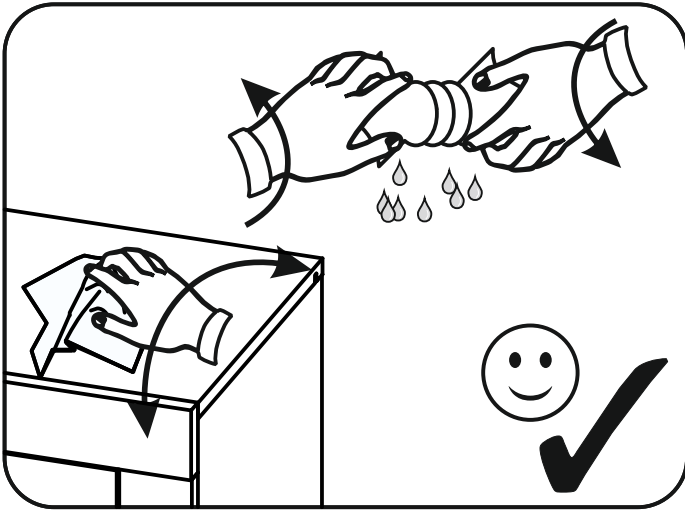
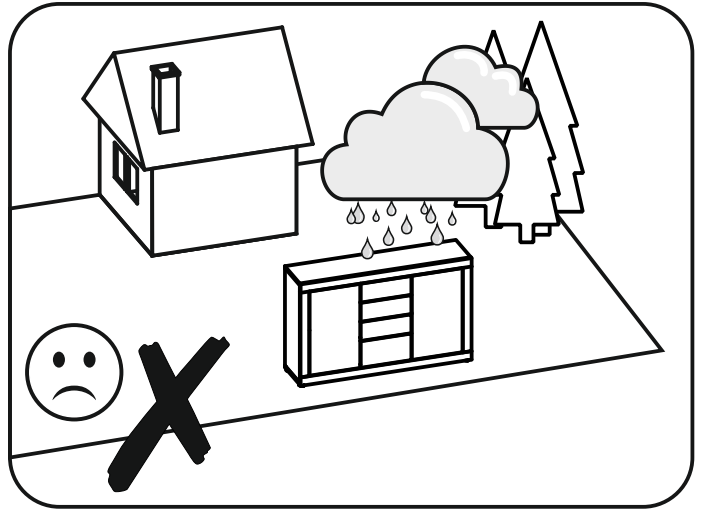
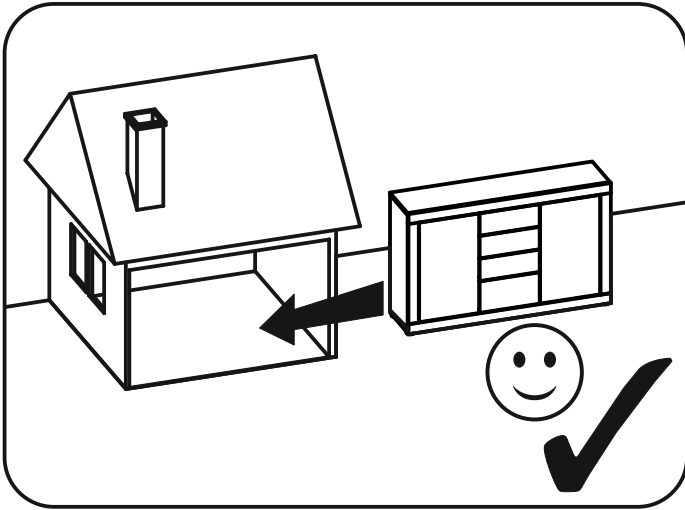
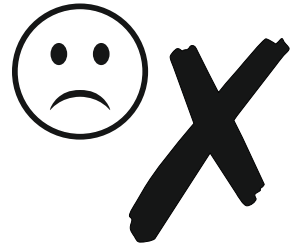


22 ▶

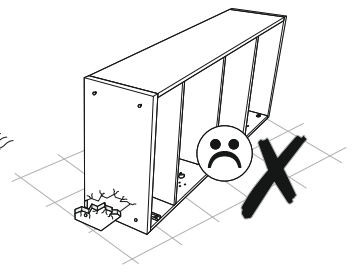
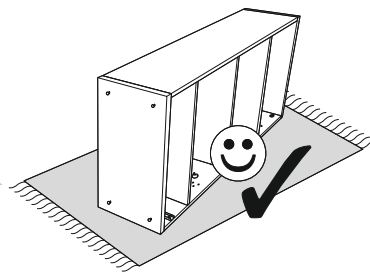
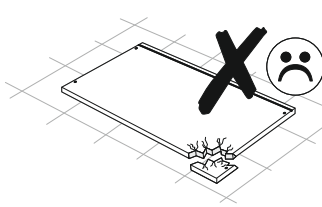
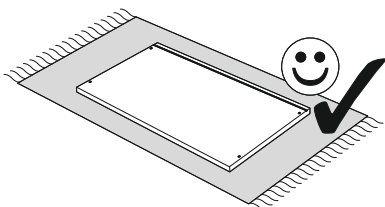
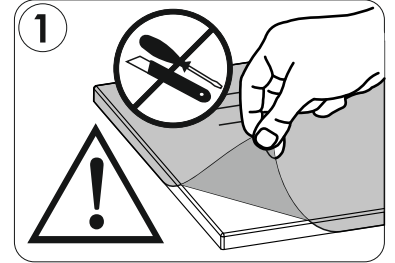
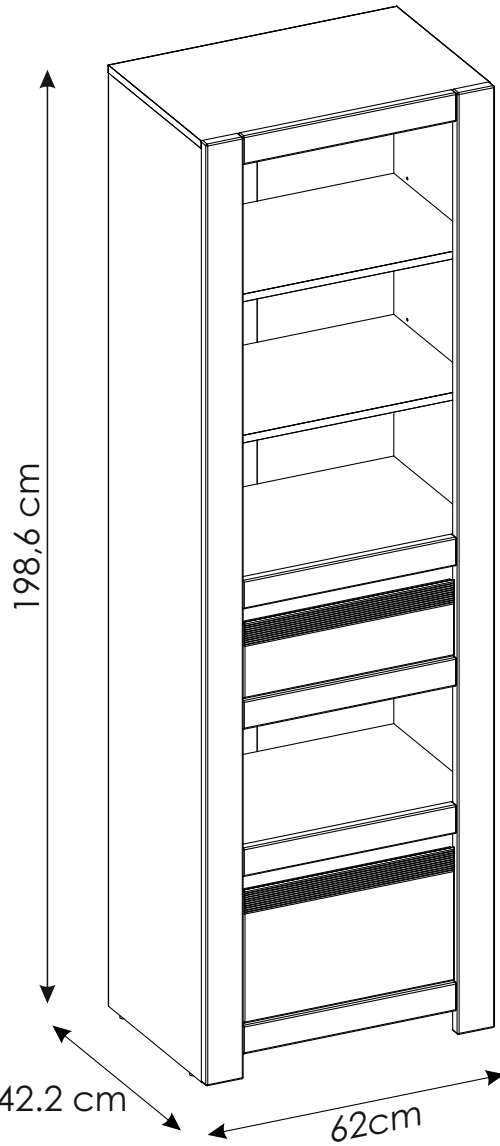
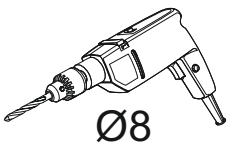
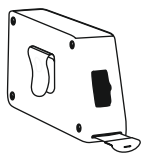
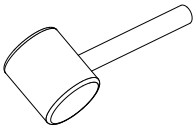
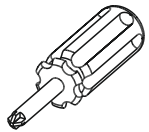
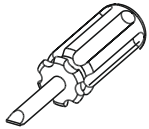
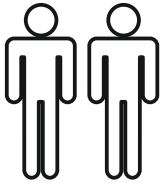


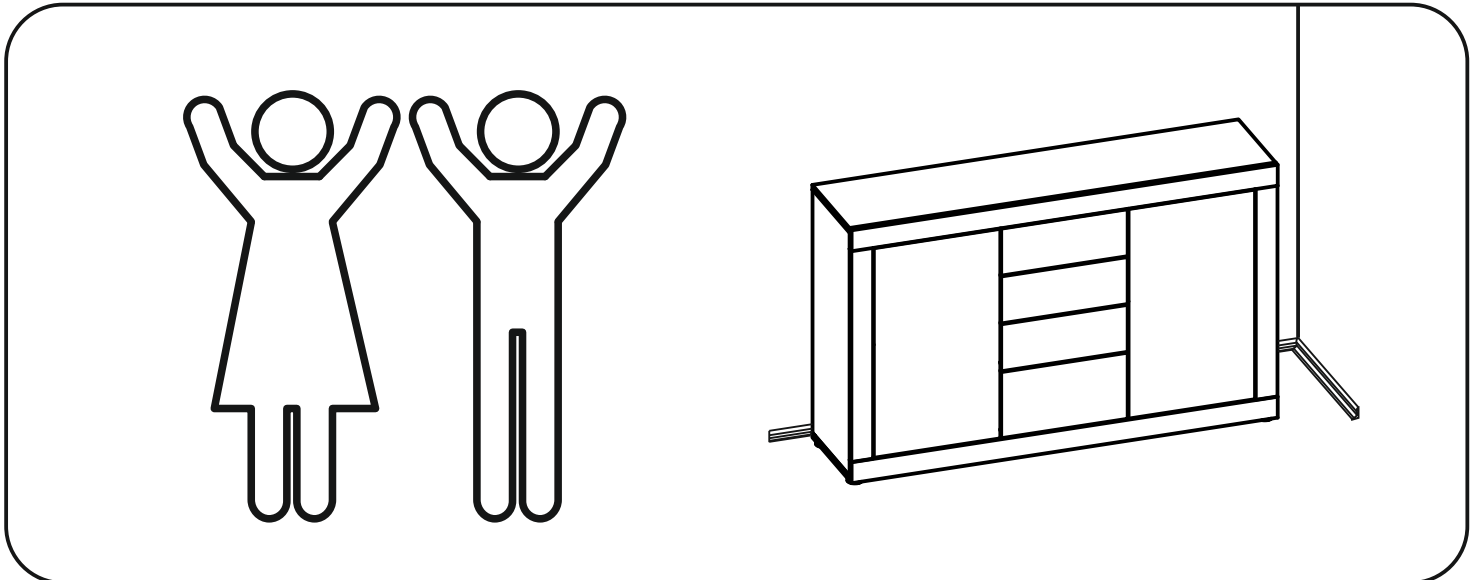
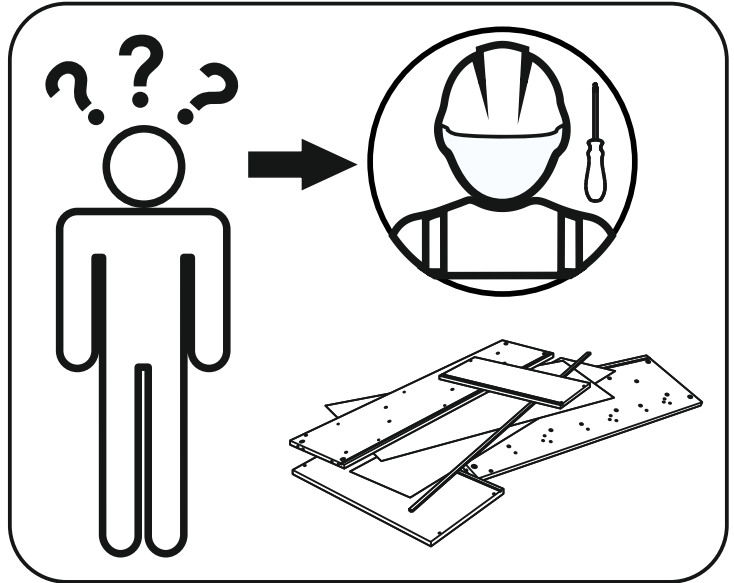
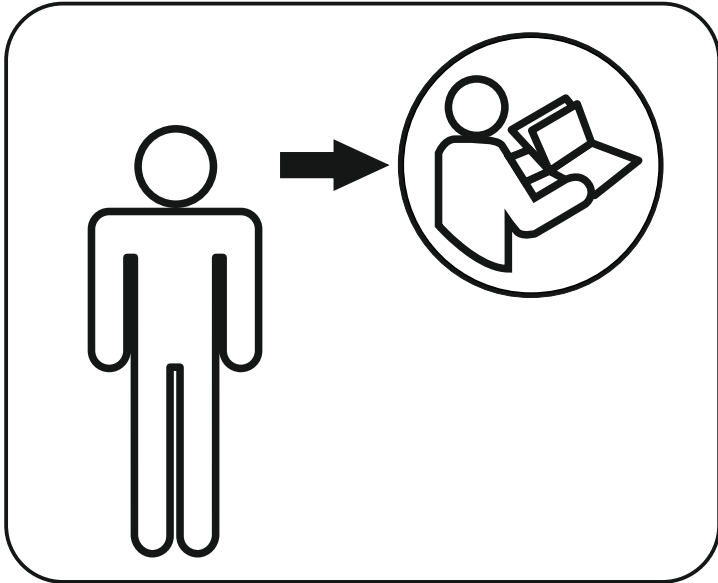
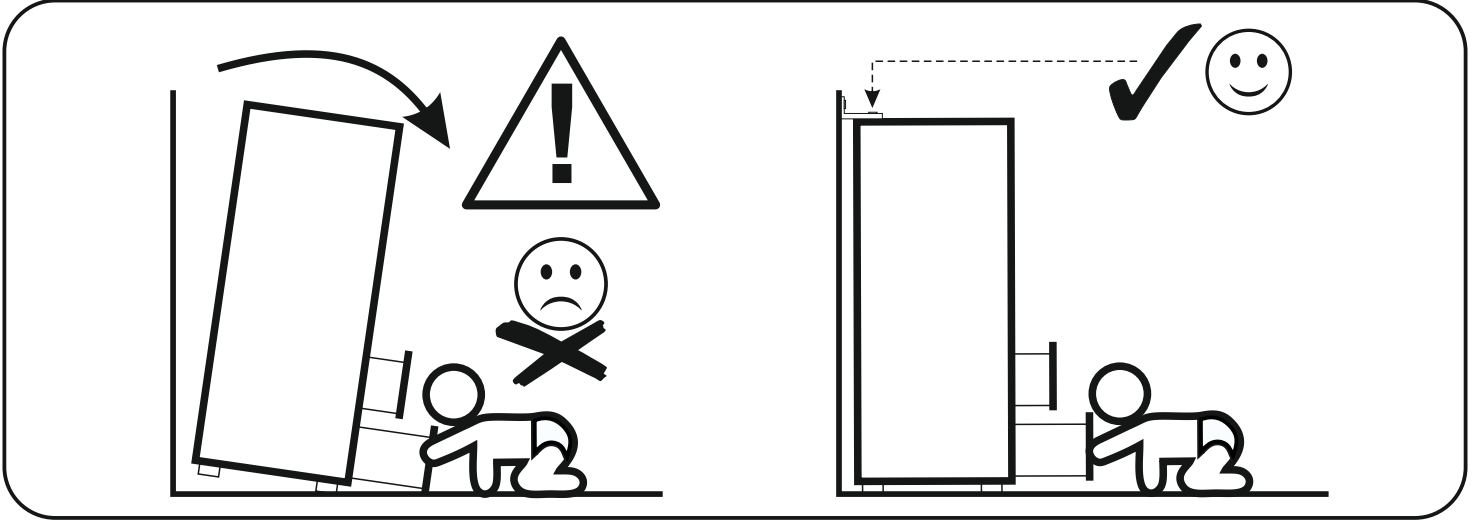
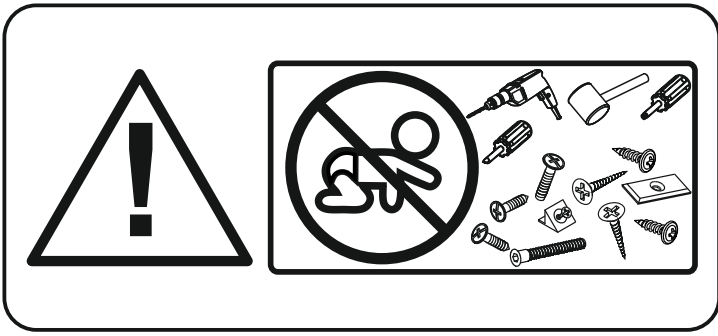
23 ▶



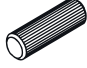

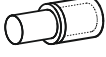
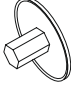

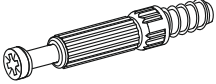
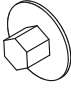




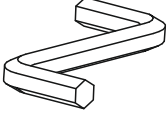

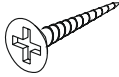
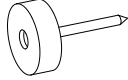
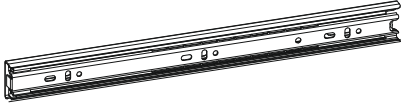
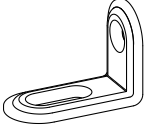
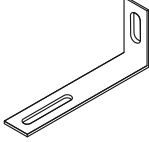
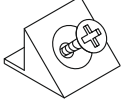

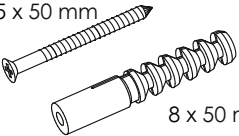
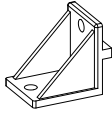
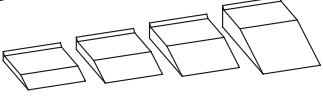


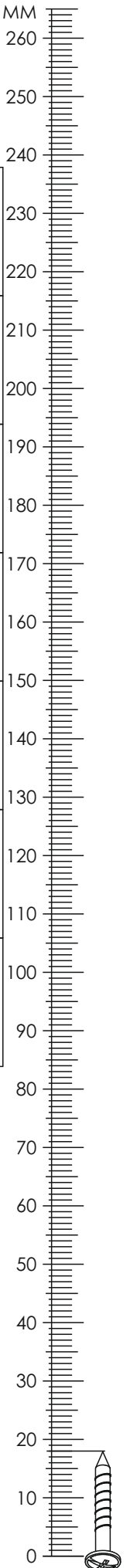
NVIR01



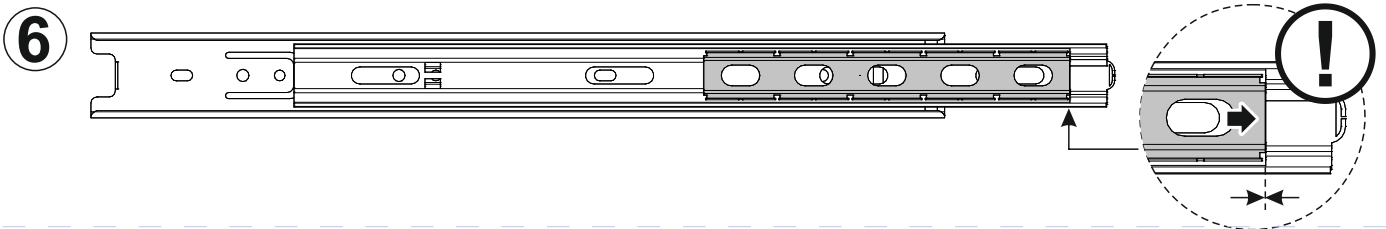
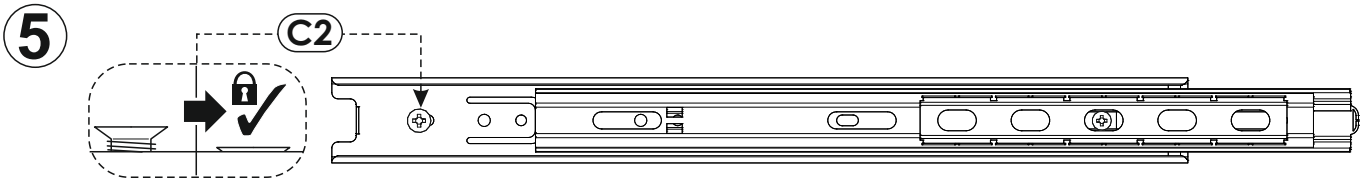
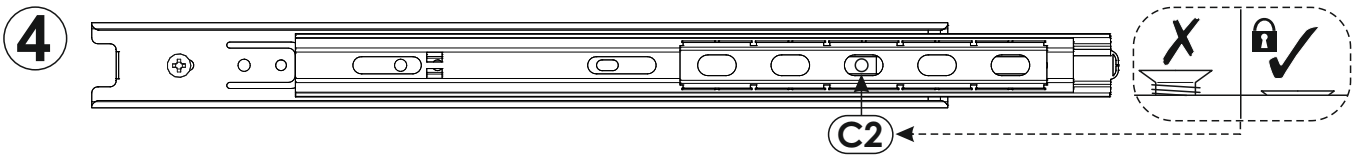
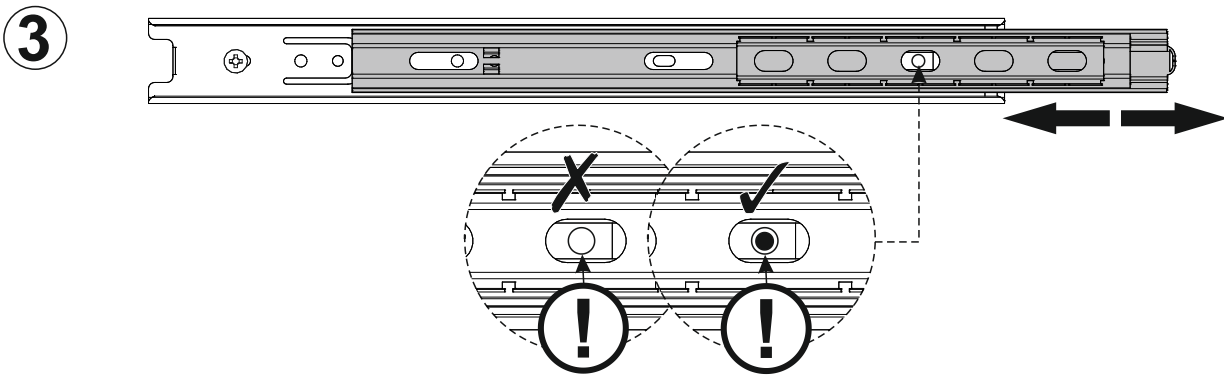
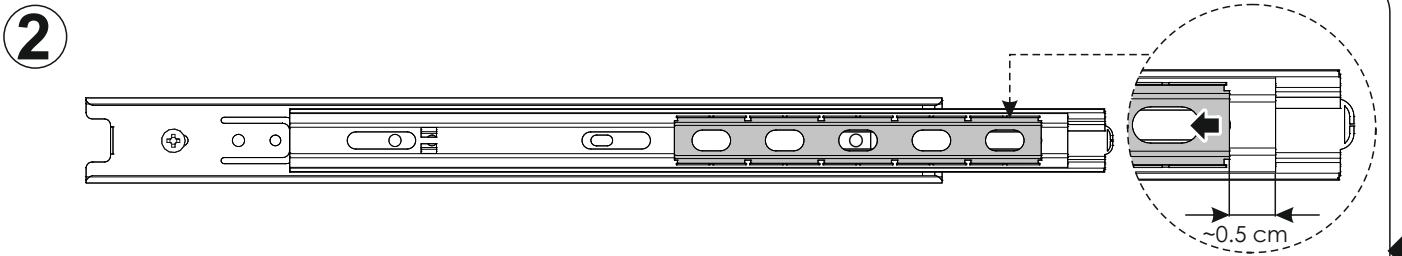
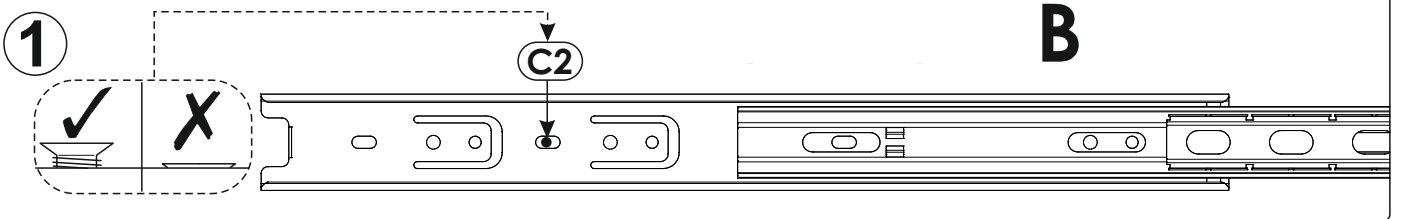
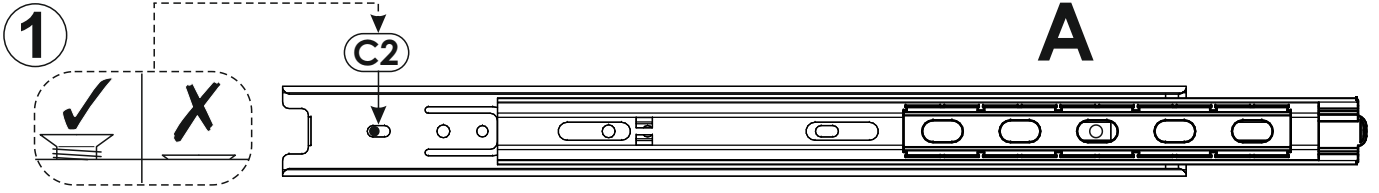


NVIR01

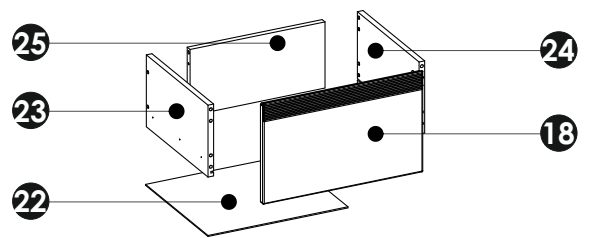
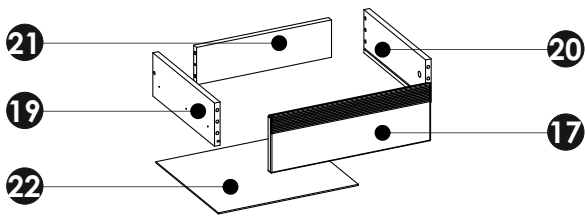
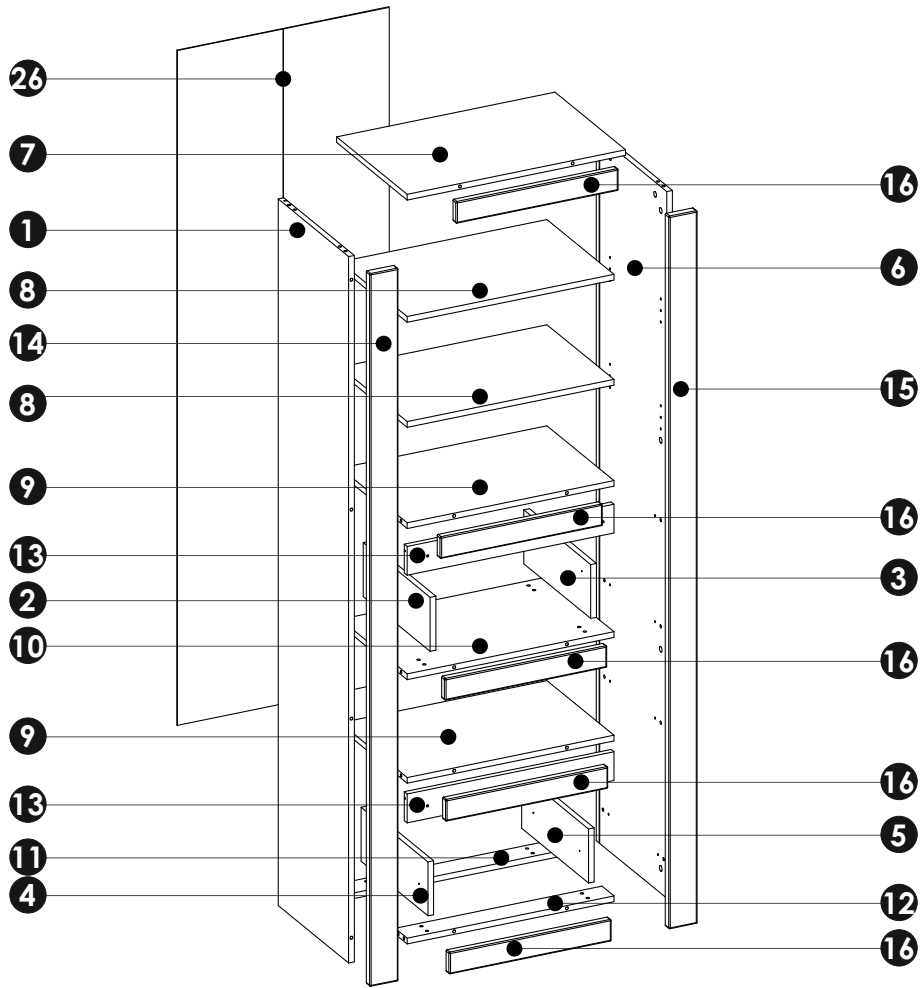
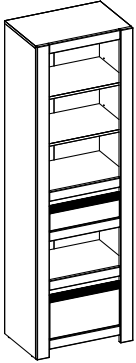
A1 8 x 35 mm x44 	C2 5 x 13 mm x8 	D2 x8 
E0 x24 	E1 15 x 12 mm x44 	F1 6 x 34 mm x44 
G0 x4 	G1 7 x 50 mm x14 	I2 4 x 16 mm x2 
I13 3 x 13 mm x24 	I18 3,5 x 27 mm x4 	M x1 
N1 3 x 16 mm x25 	N2 3,5 x 16 mm x16 	O2 x4 
PW L - 350 x4 	Q2 x2 	Q9 x2 
R4 x14 	R8 x4 	S13 5 x 50 mm x2 8 x 50 mm 
W13 x6 	Z x1 	



NVIR01



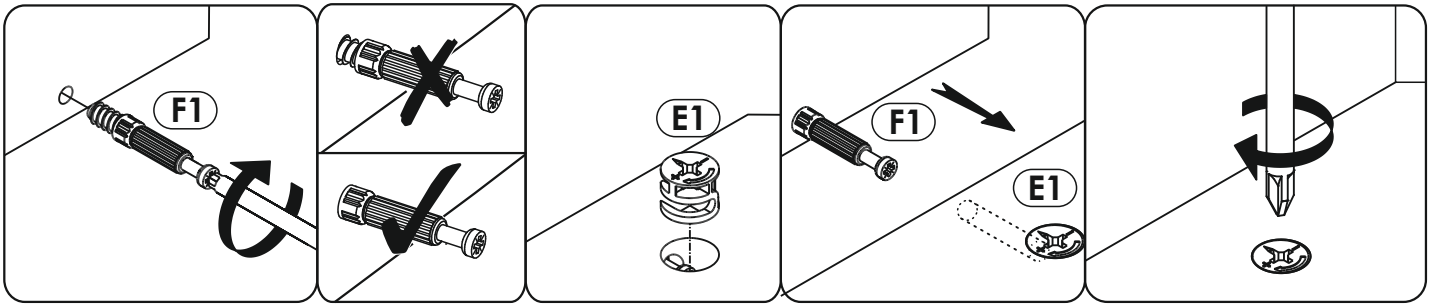
NVIR01



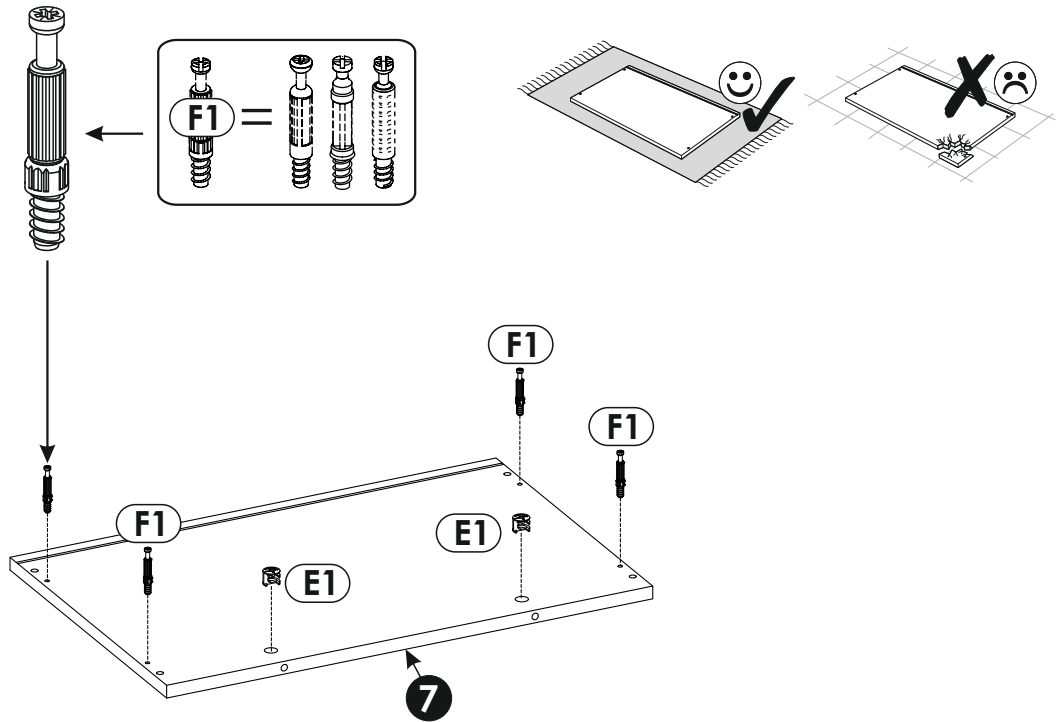
1	1964	400	16 x1	2/2
2	150	380	16 x1	1/2
3	150	380	16 x1	1/2
4	150	380	16 x1	1/2
5	150	380	16 x1	1/2
6	1964	400	16 x1	2/2
7	620	400	16 x1	1/2
8	587	380	16 x2	1/2
9	587	380	16 x2	1/2

10	587	380	16 x1	1/2
11	587	68	16 x1	2/2
12	587	68	16 x1	2/2
13	587	80	16 x2	2/2
14	1981	80	22 x1	2/2
15	1981	80	22 x1	2/2
16	460	60	19 x5	2/2
17	454	160	16 x1	2/2
18	454	280	16 x1	2/2

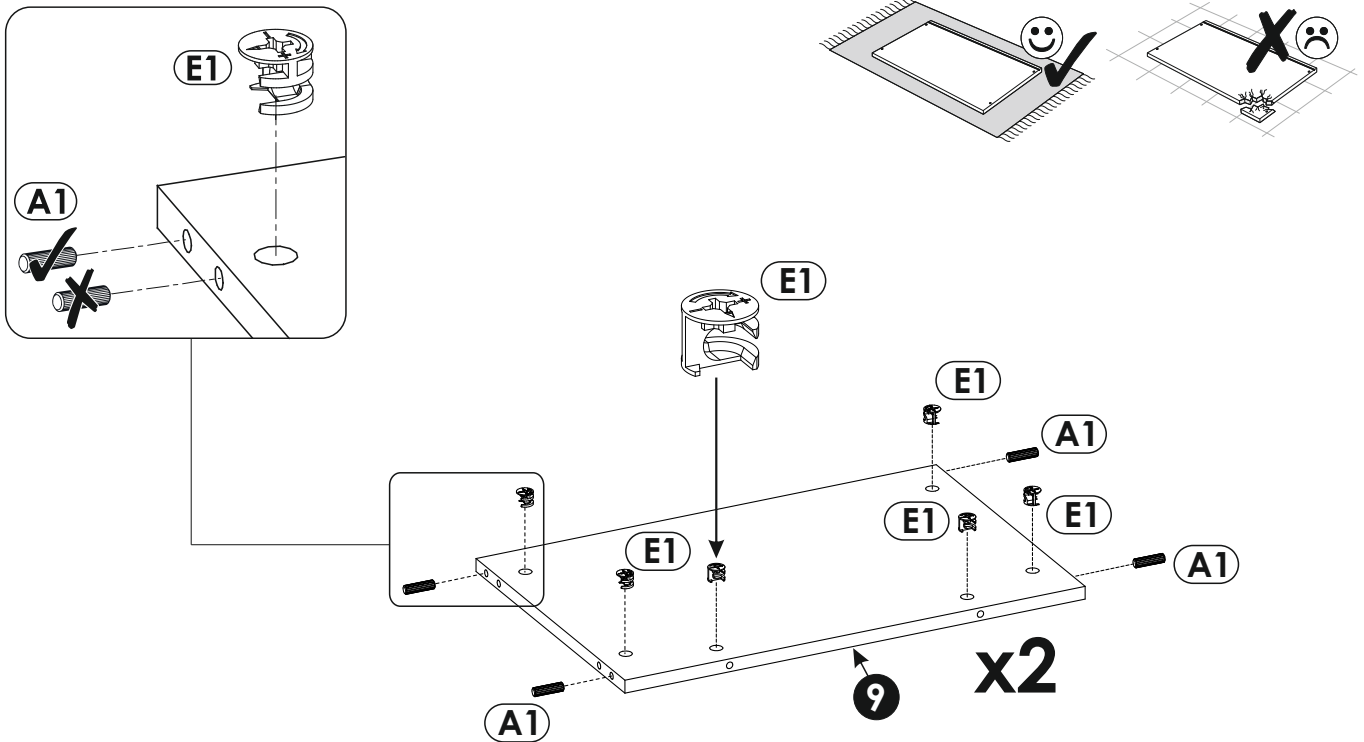
19	350	120	16 x1	2/2
20	350	120	16 x1	2/2
21	383	104	16 x1	2/2
22	397	355	3 x2	1/2
23	350	200	16 x1	2/2
24	350	200	16 x1	2/2
25	383	184	16 x1	2/2
26	1876	602	3 x1	2/2



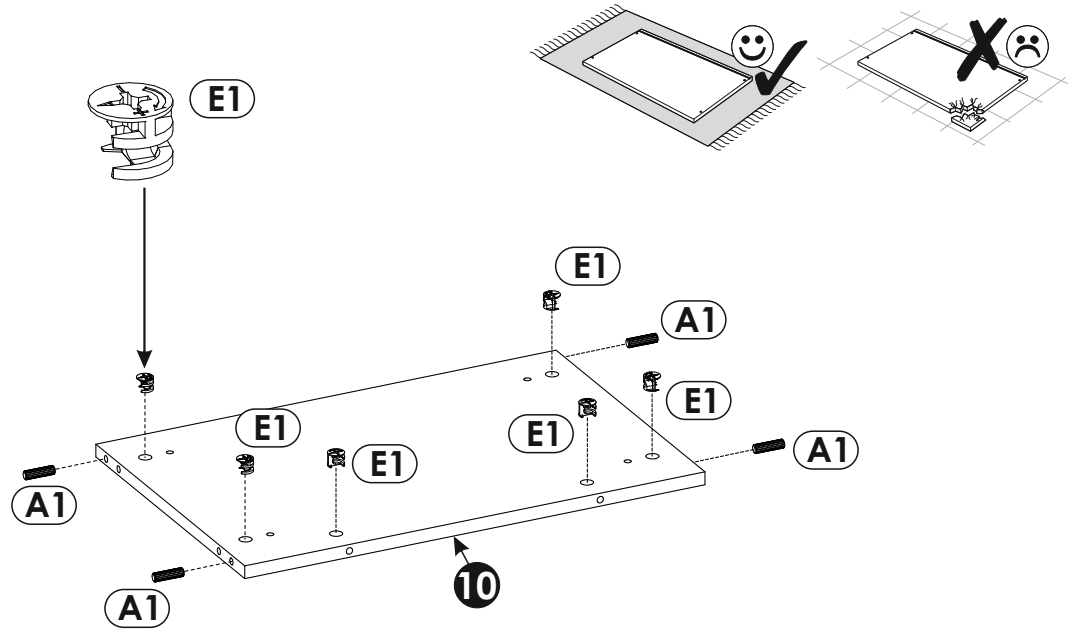
1 ▶



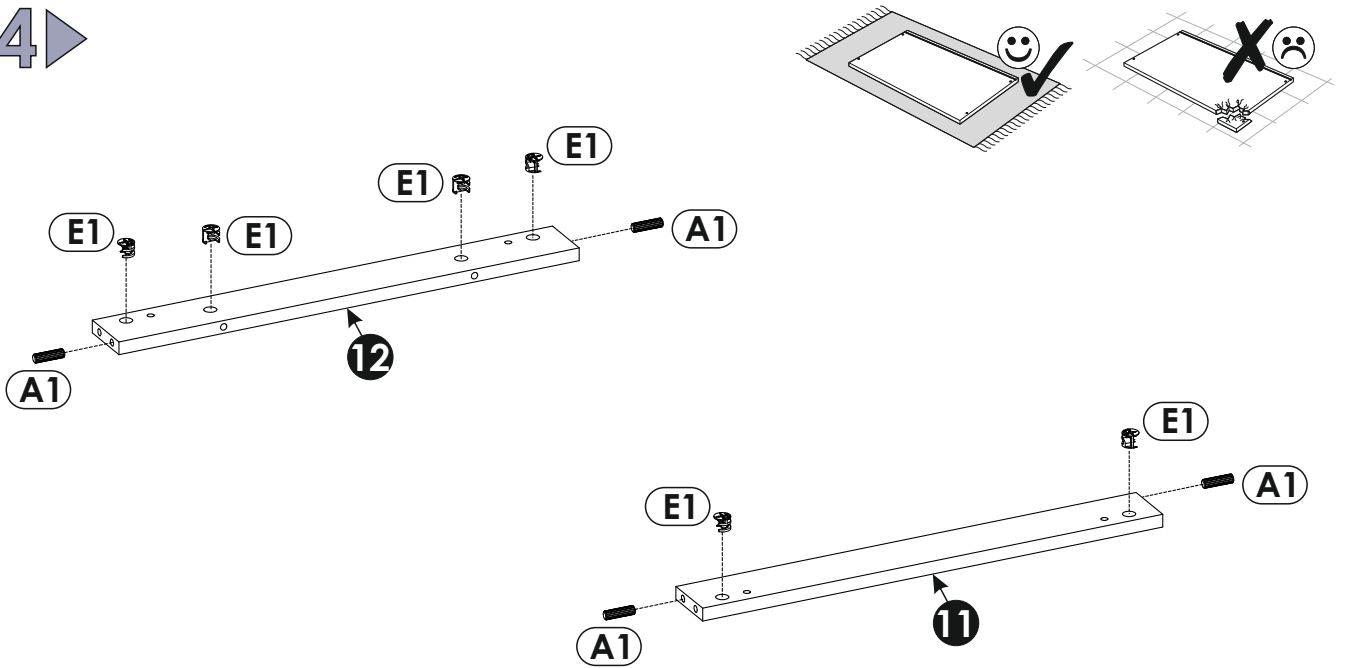
2 ▶



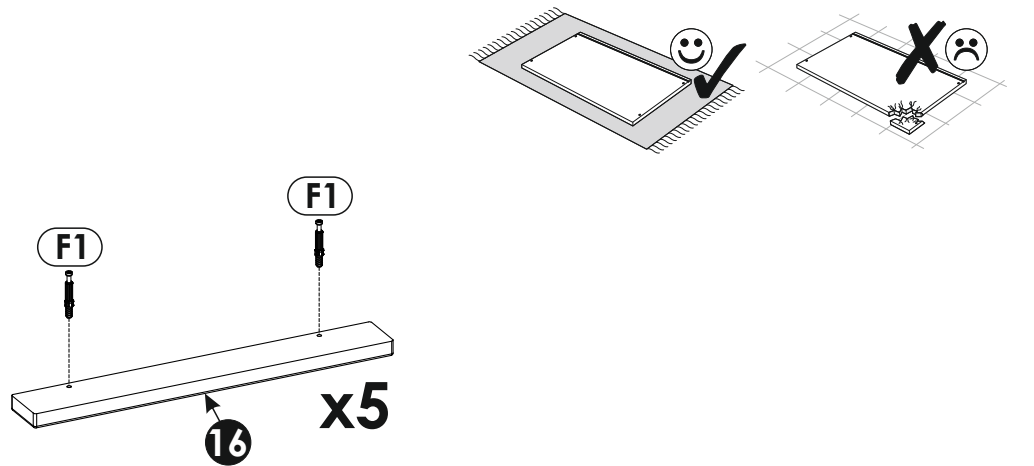
3 ▶



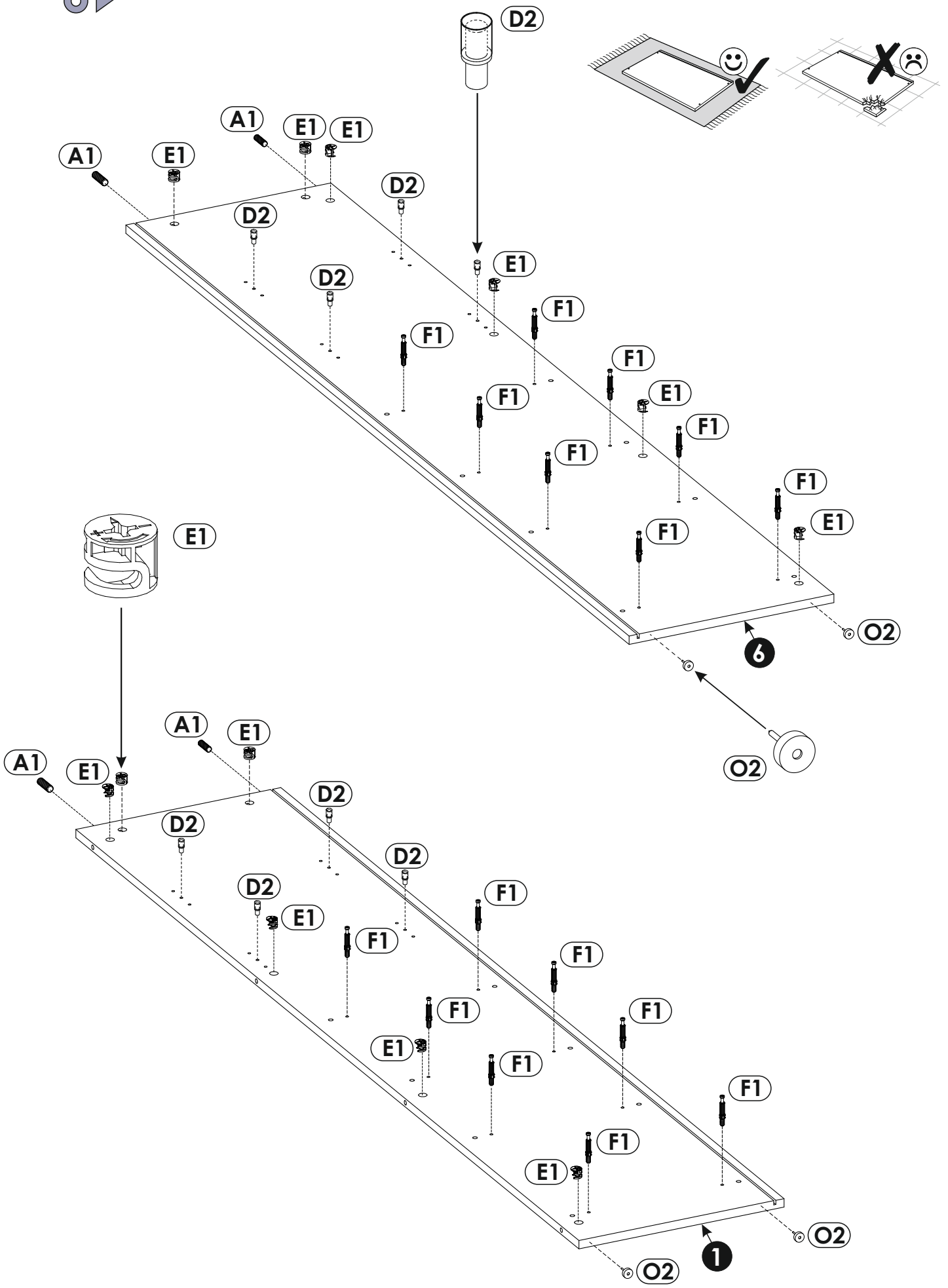
4 ▶

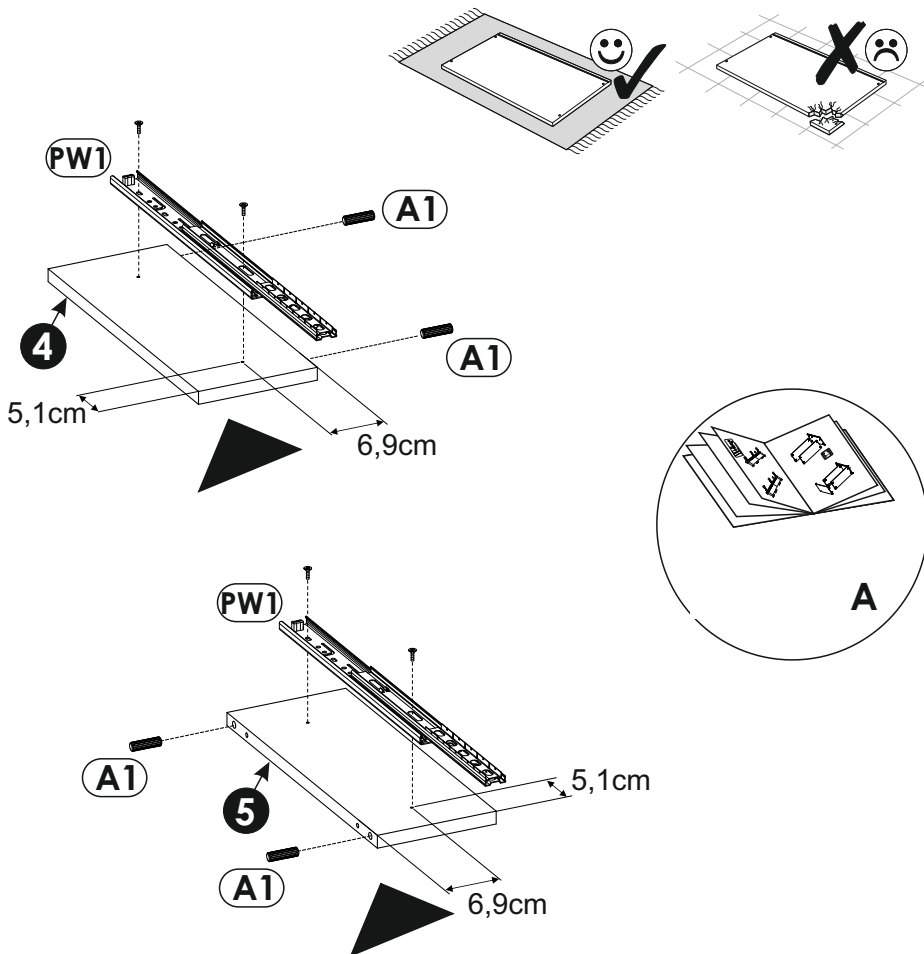
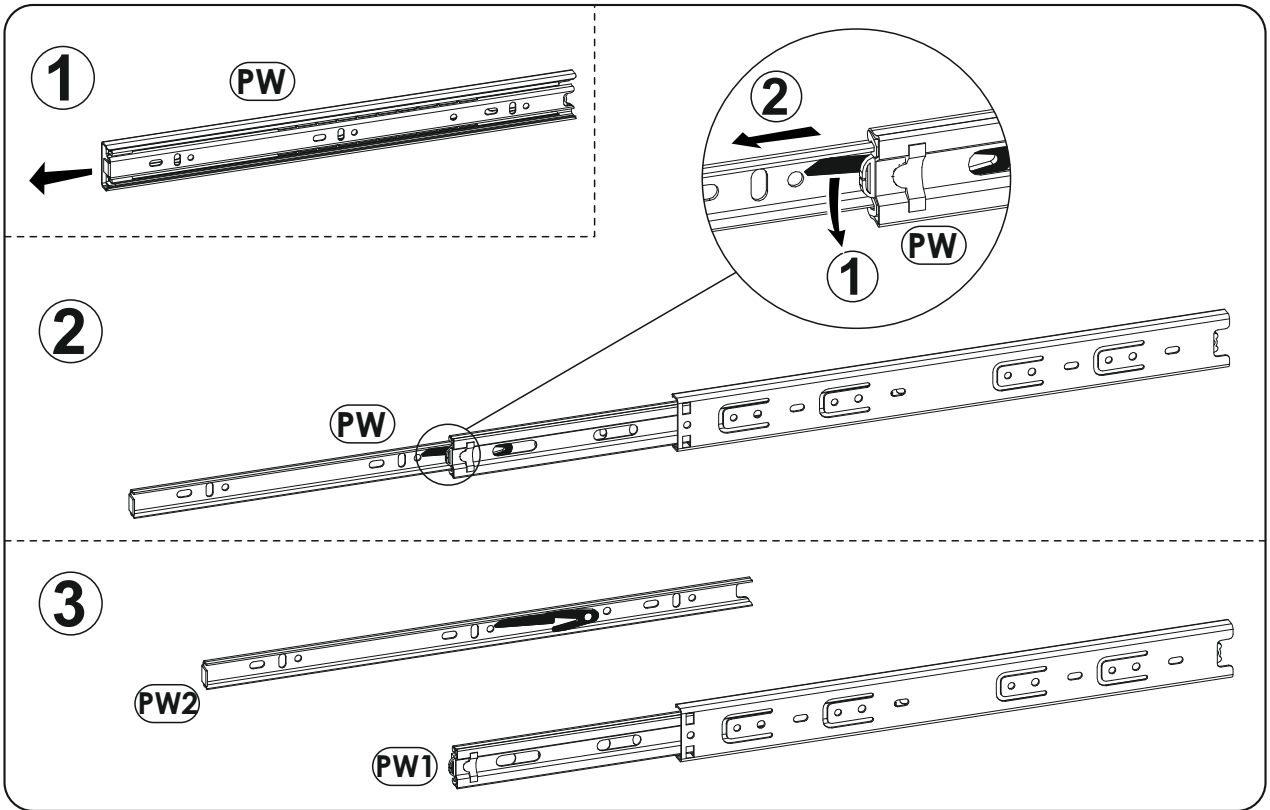


5 ▶

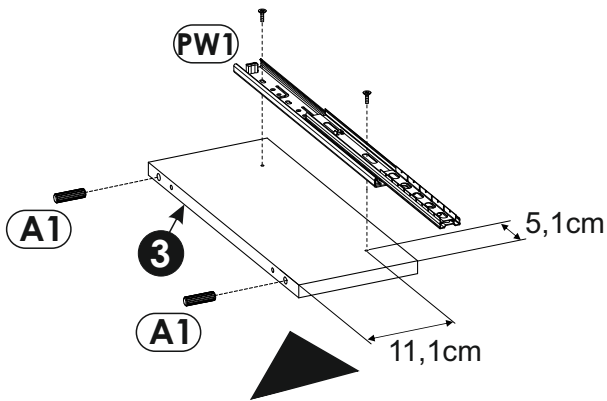
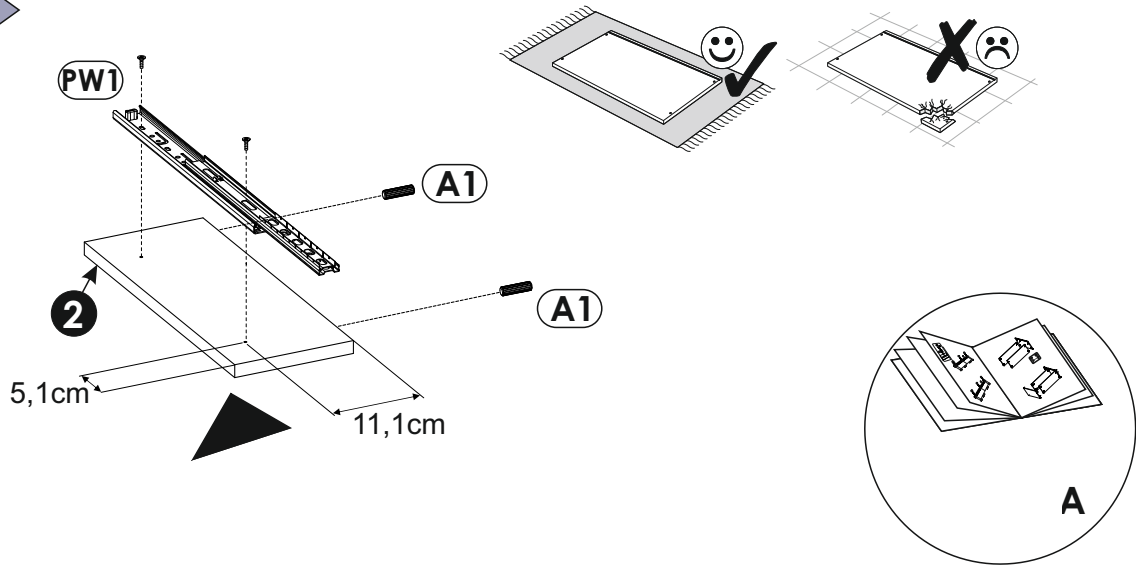


6 ▶

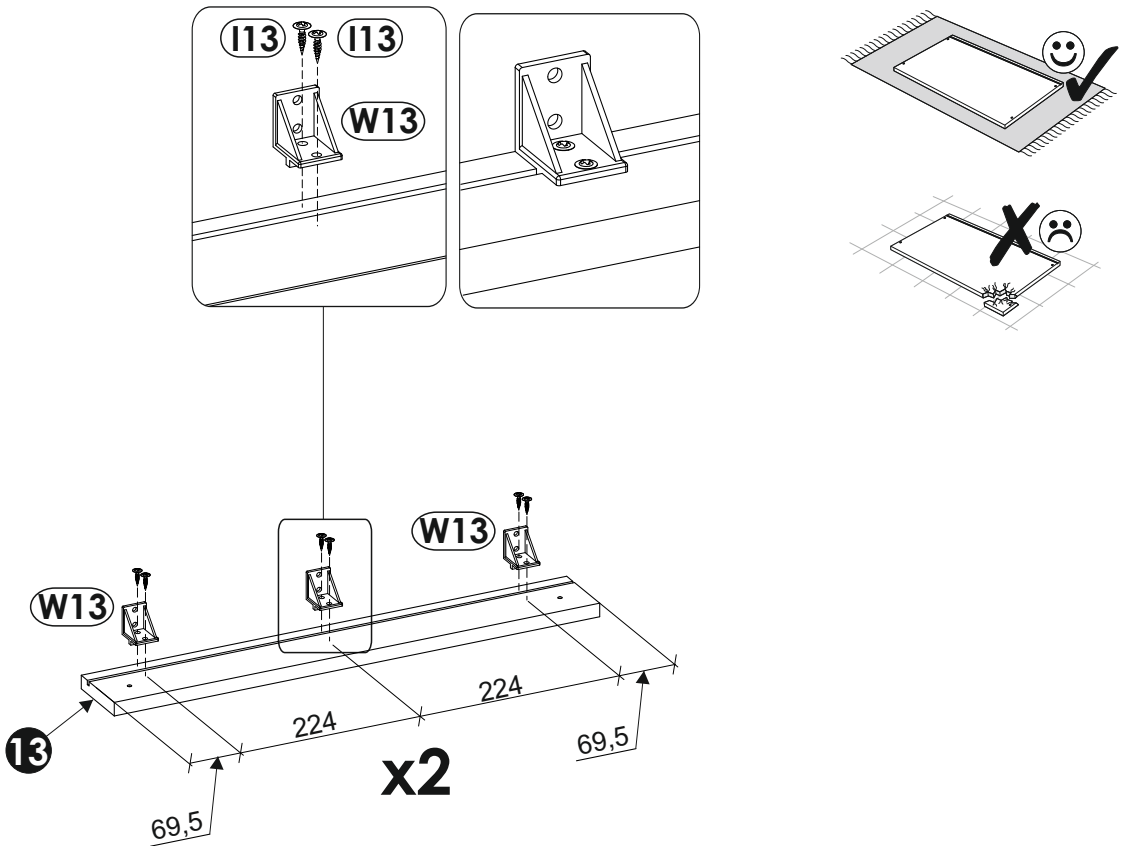




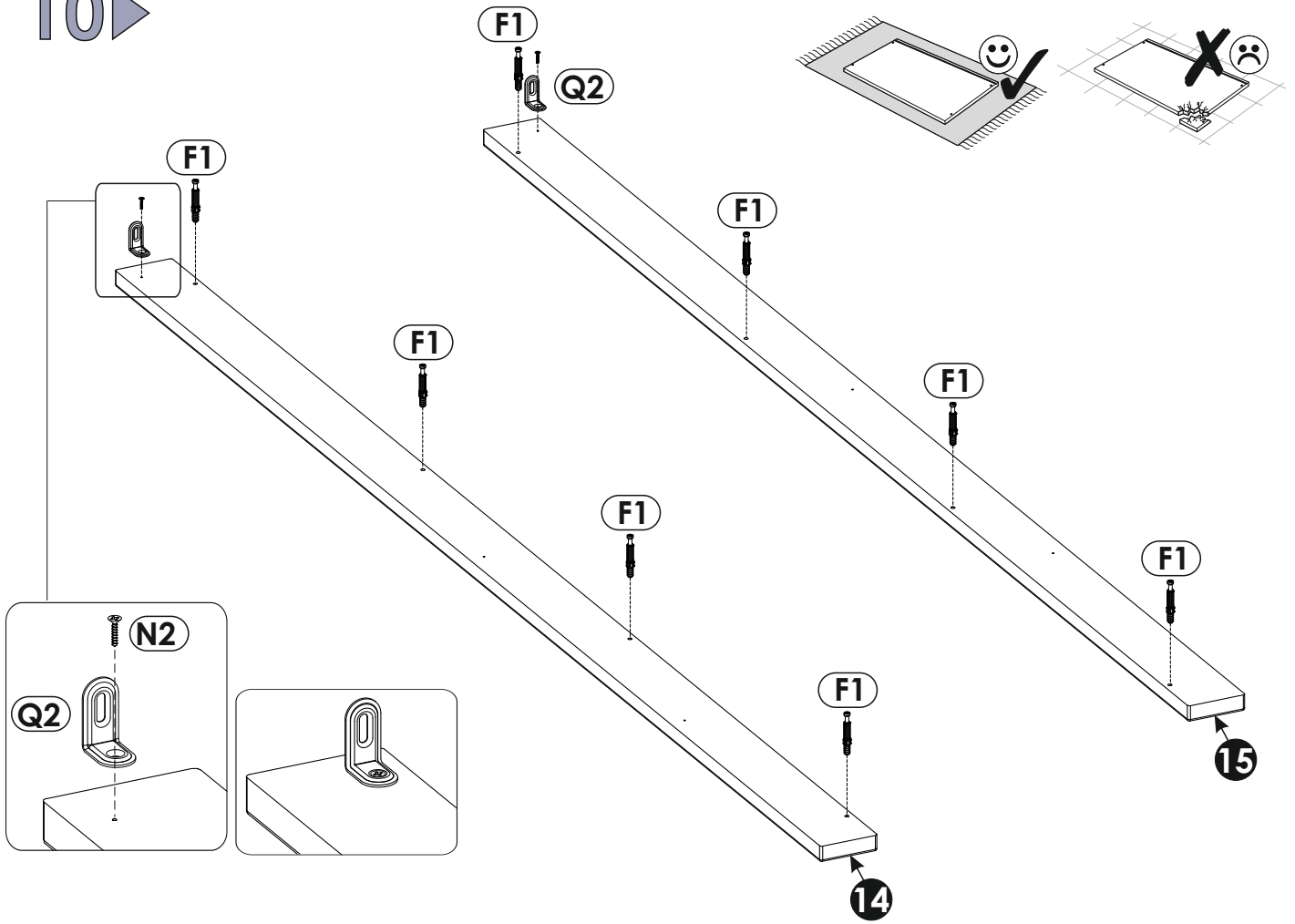
8 ▶



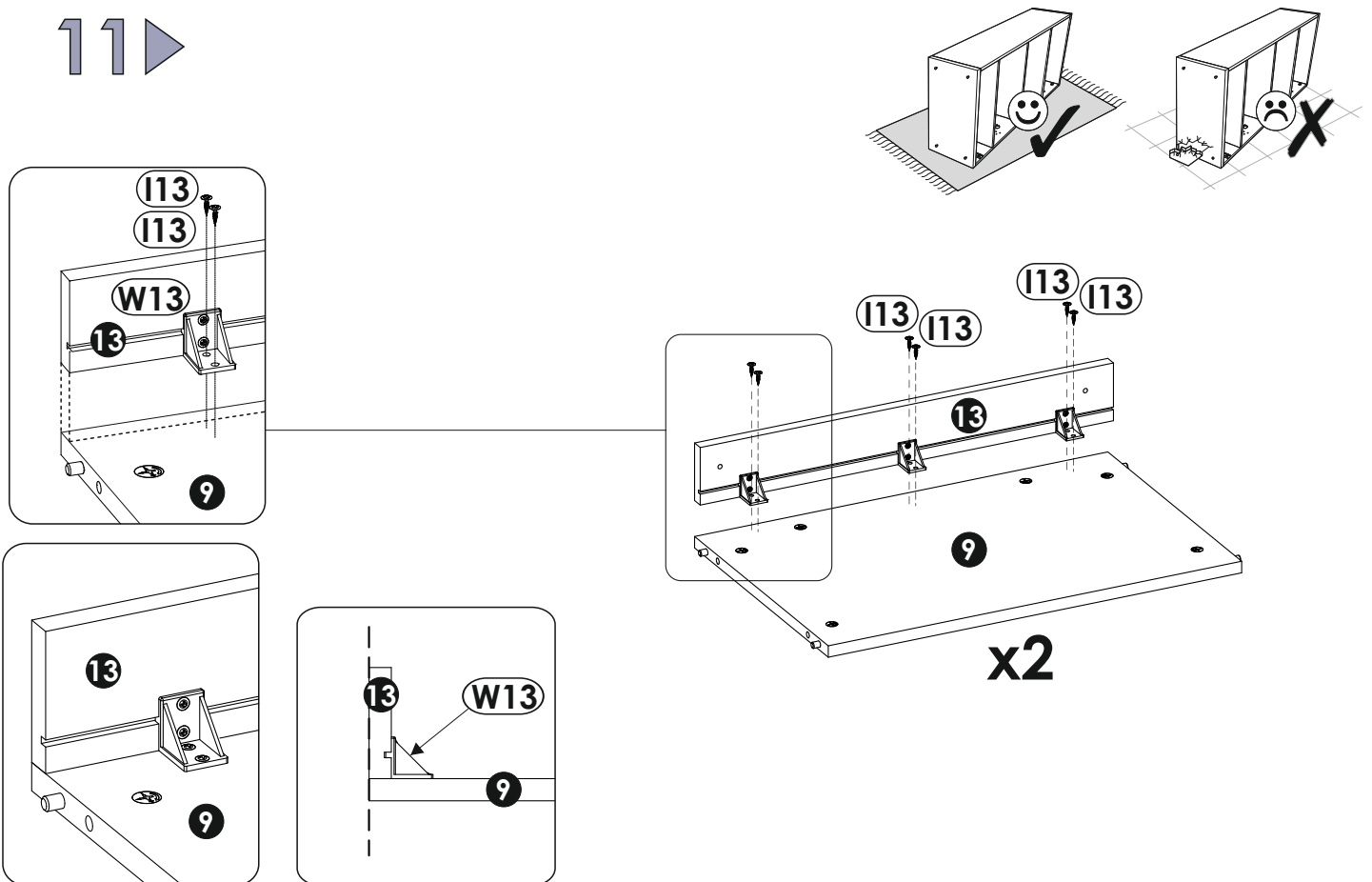
9 ▶



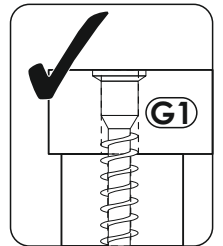
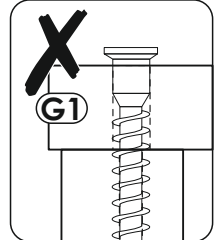
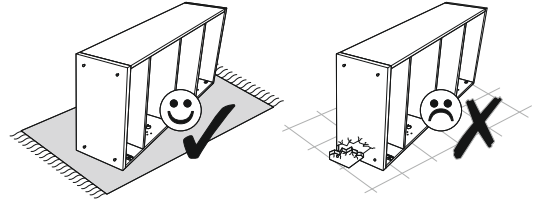
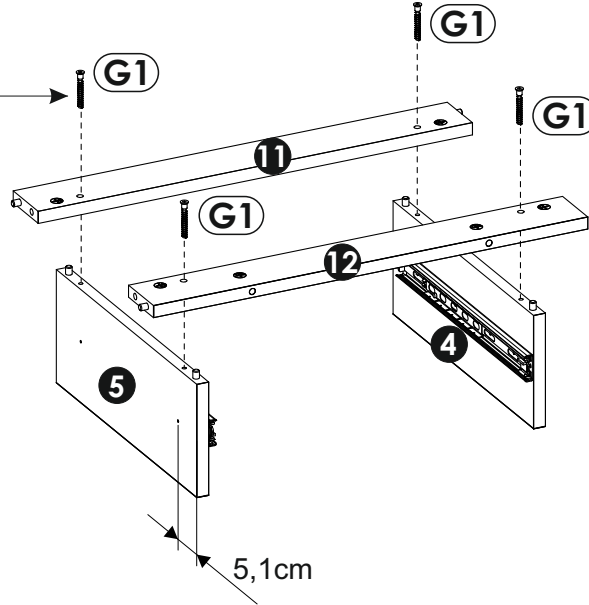
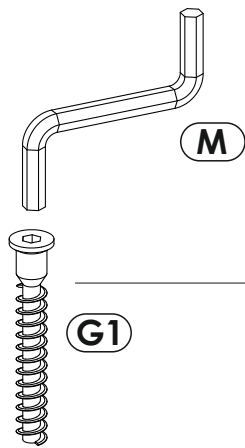
10 ▶



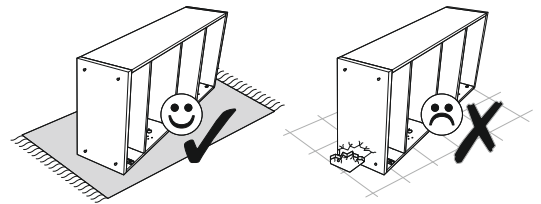
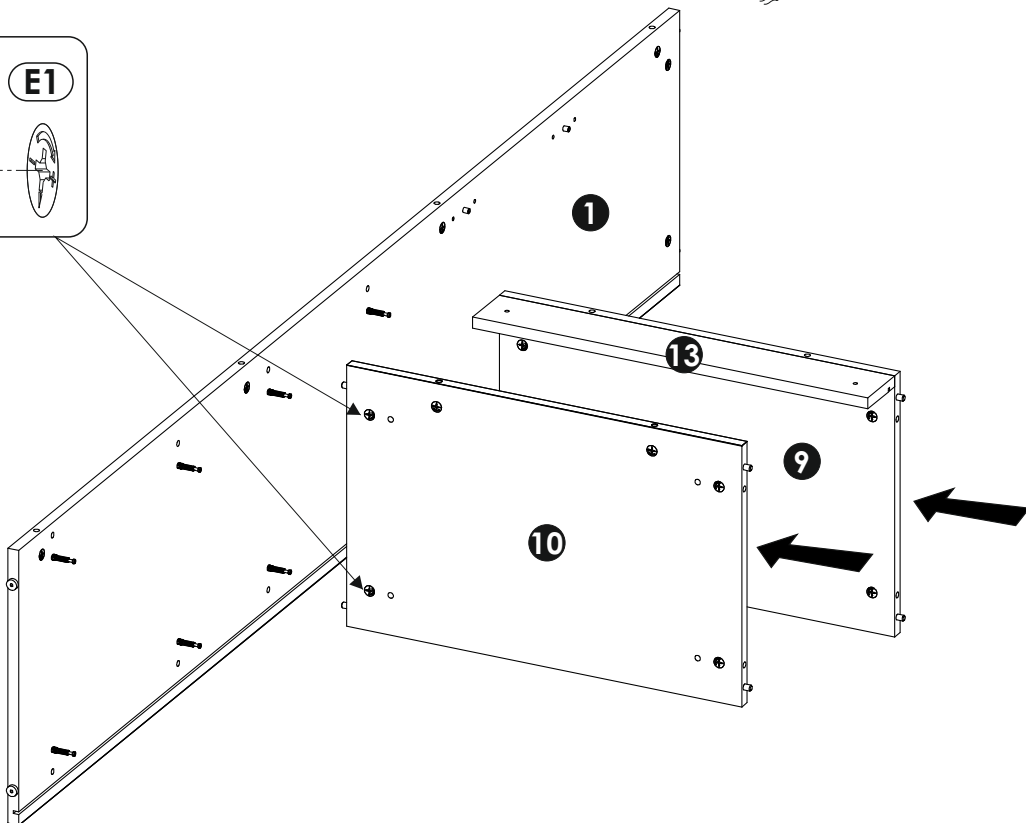
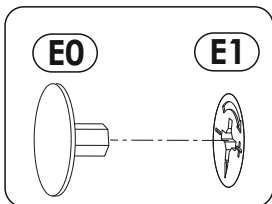
11 ▶



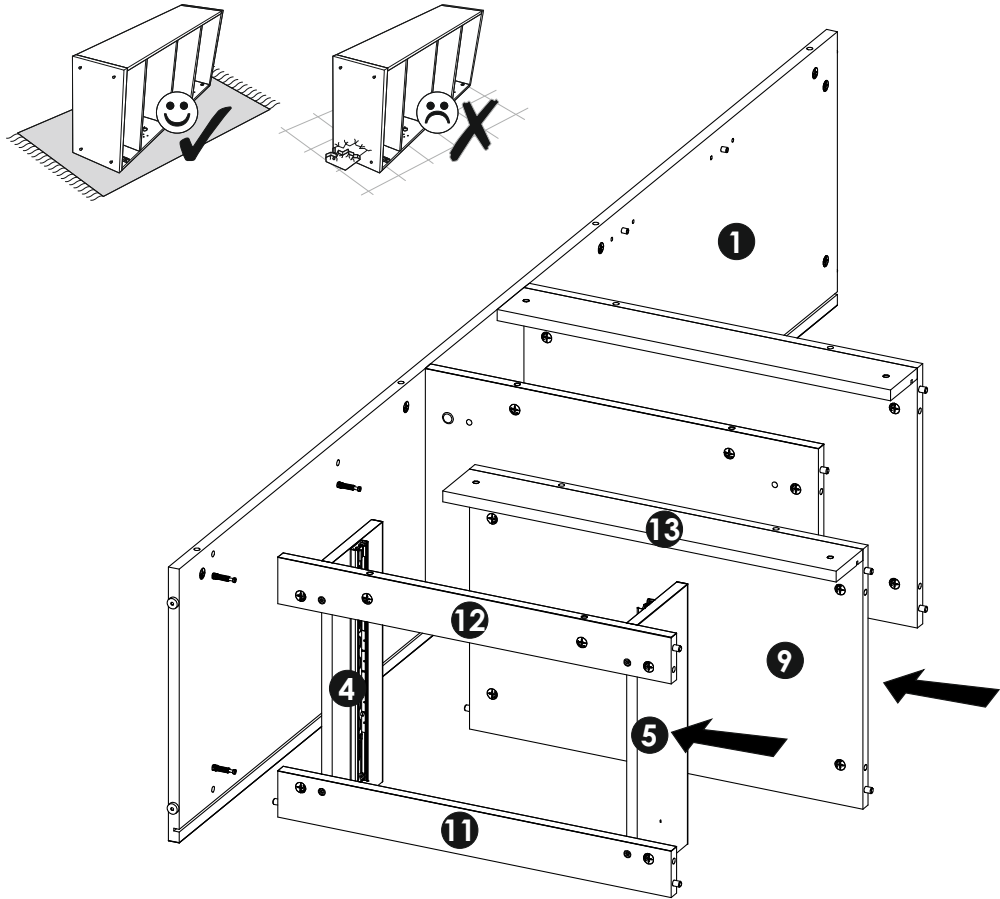
12▶



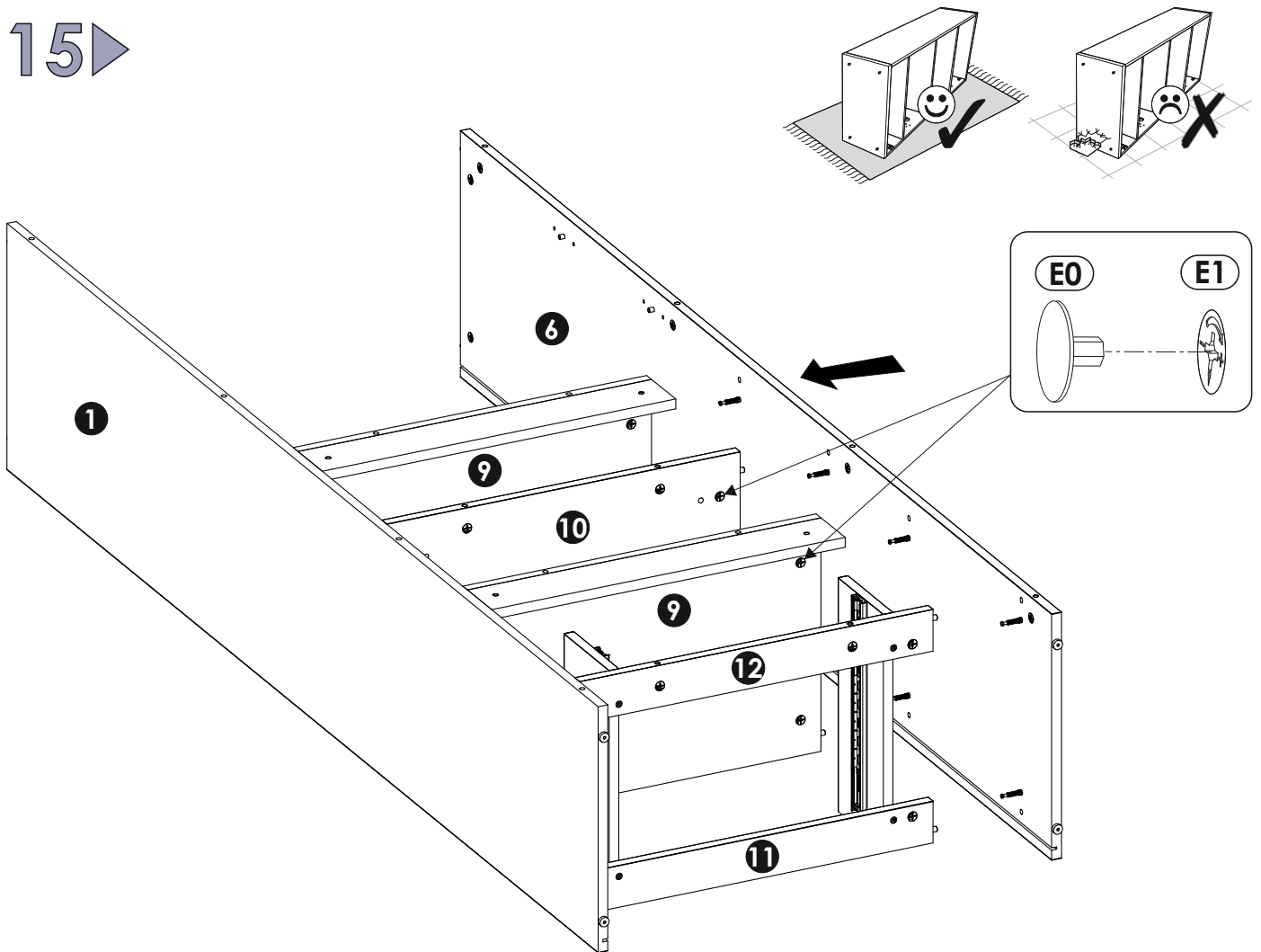
13▶



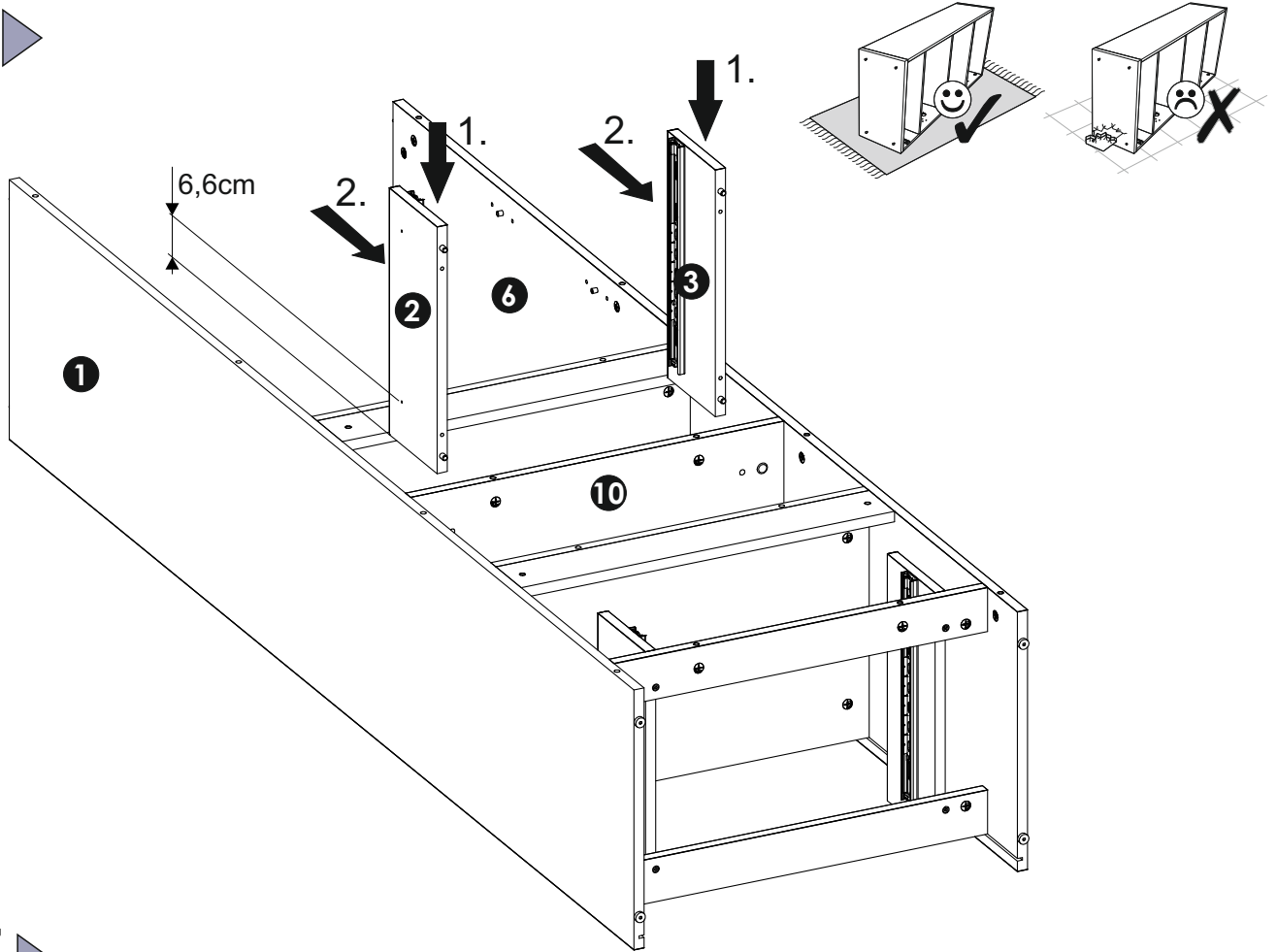
14 ▶



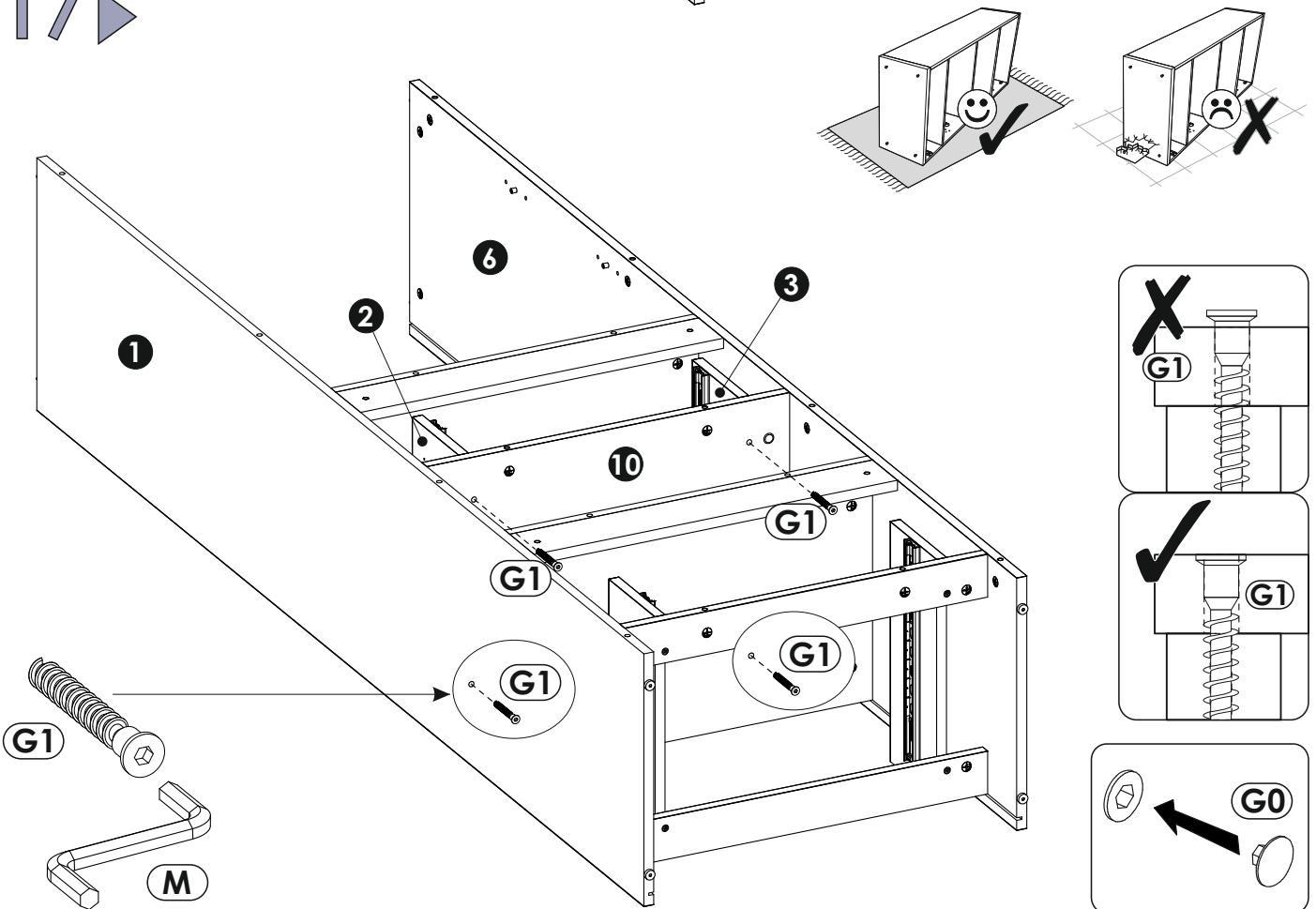
15 ▶

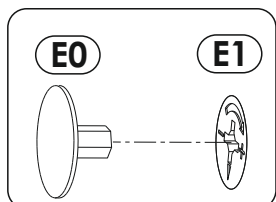
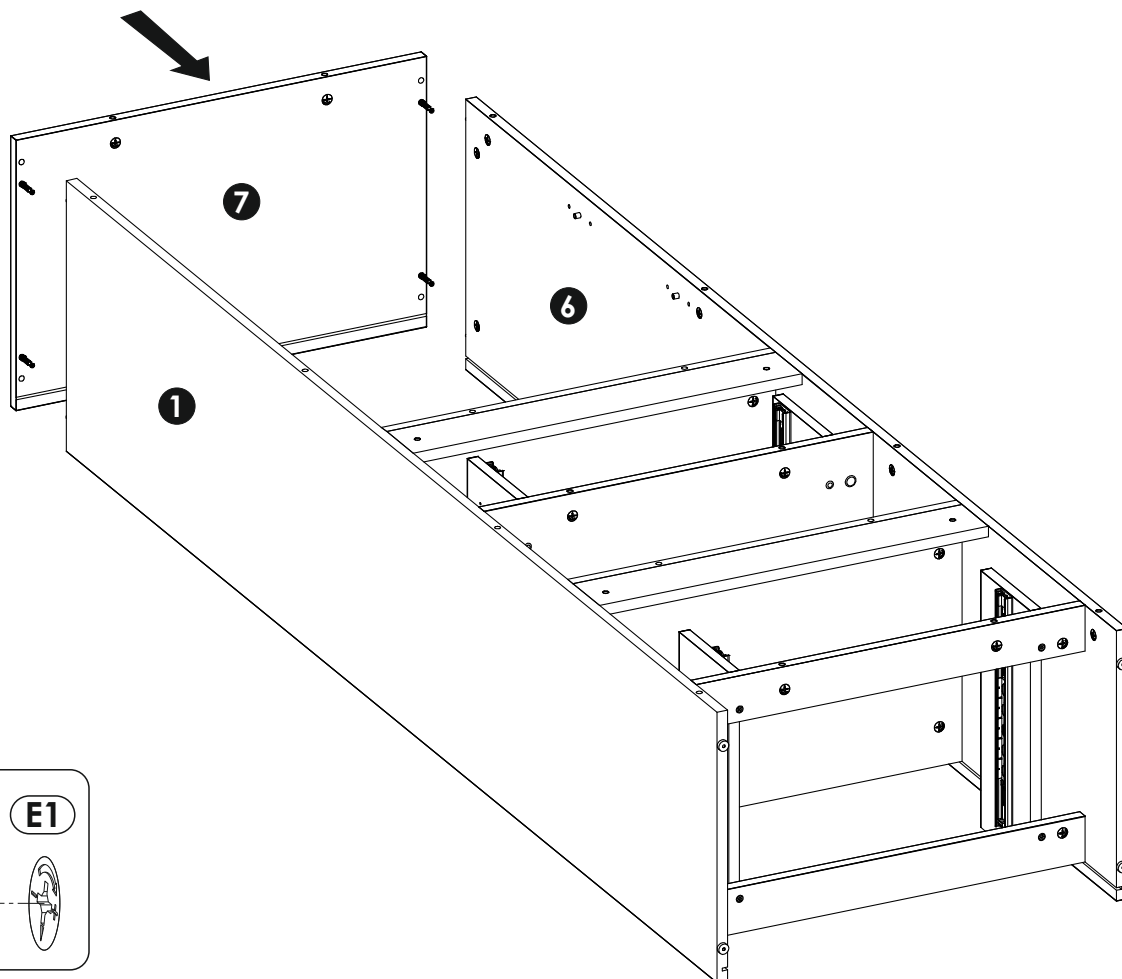
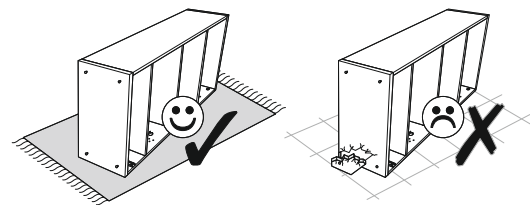


16 ▶

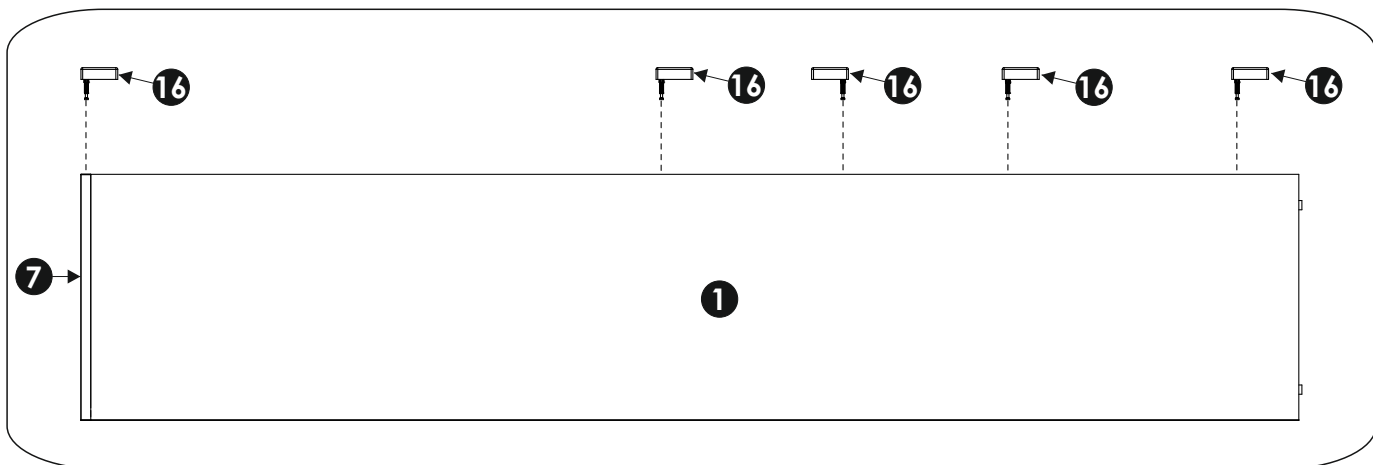
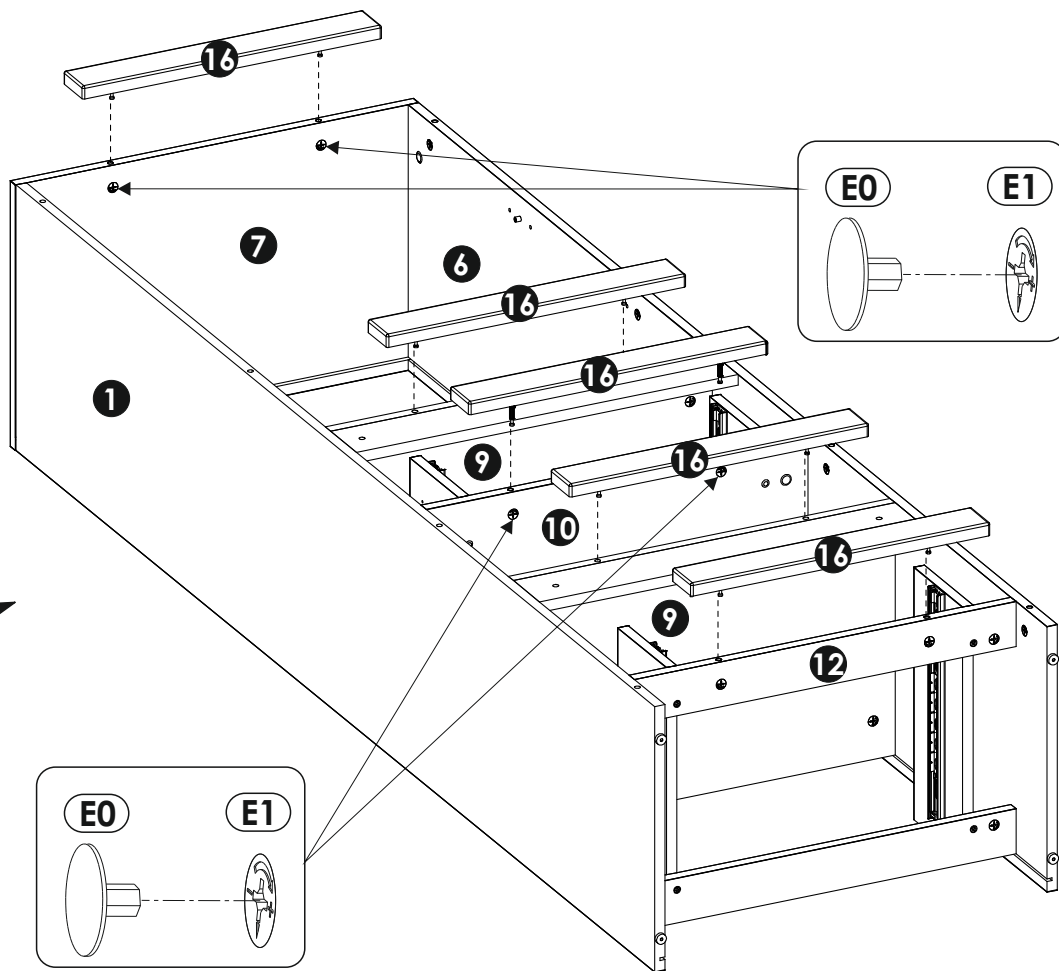
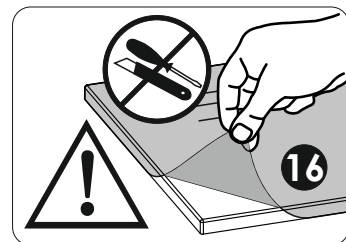
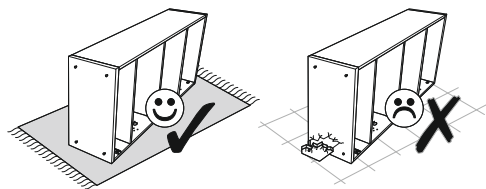


17 ▶

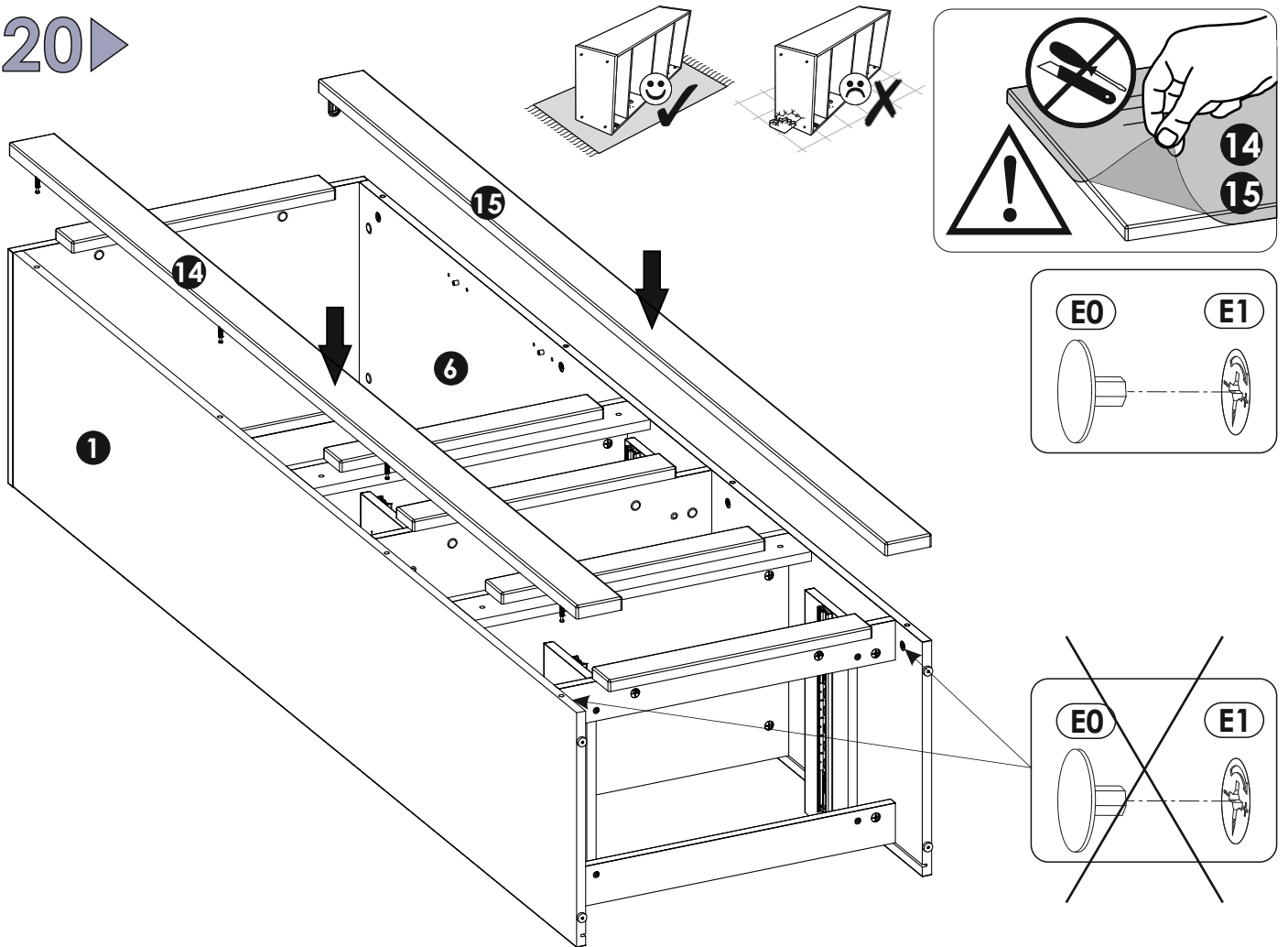




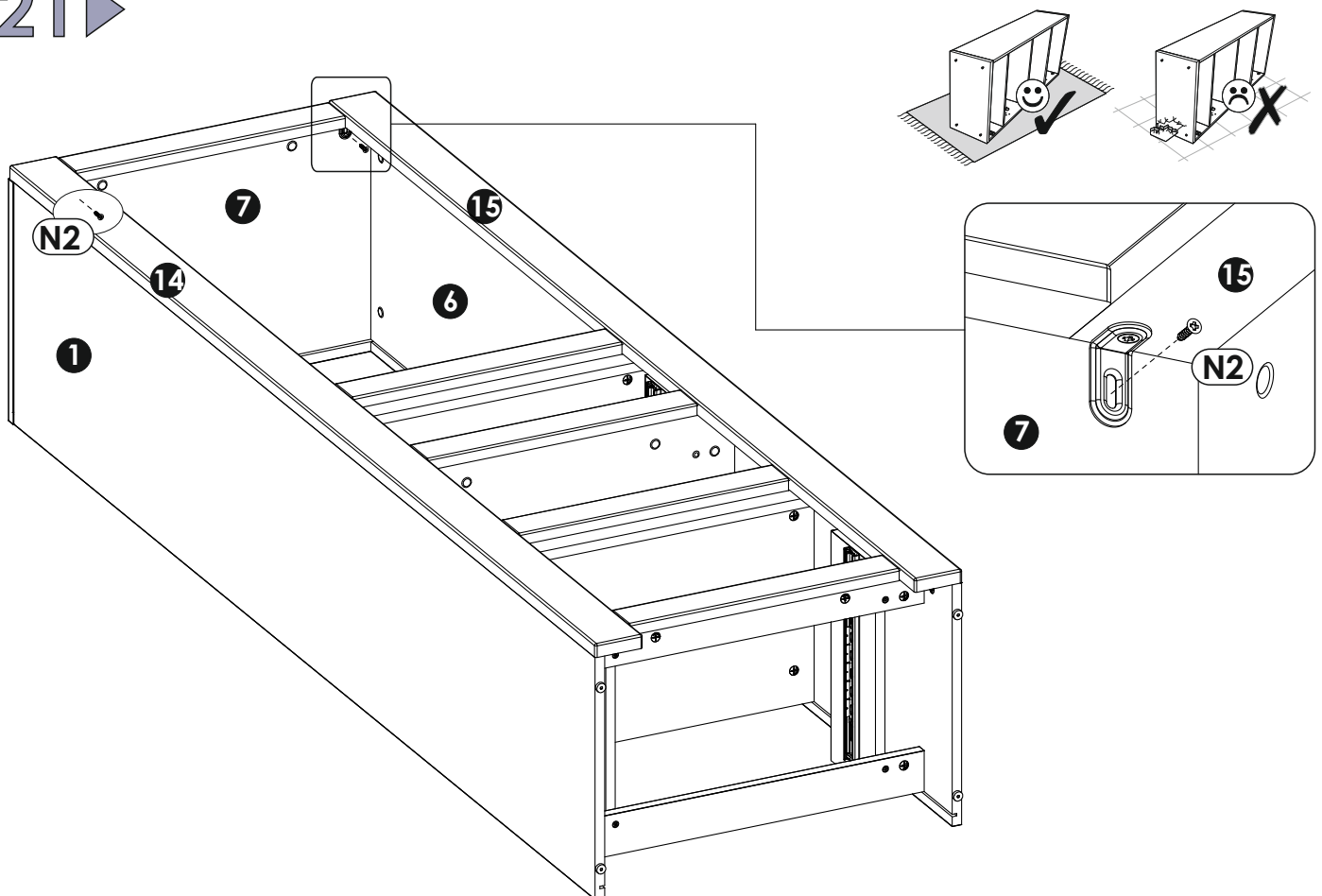
19 ▶



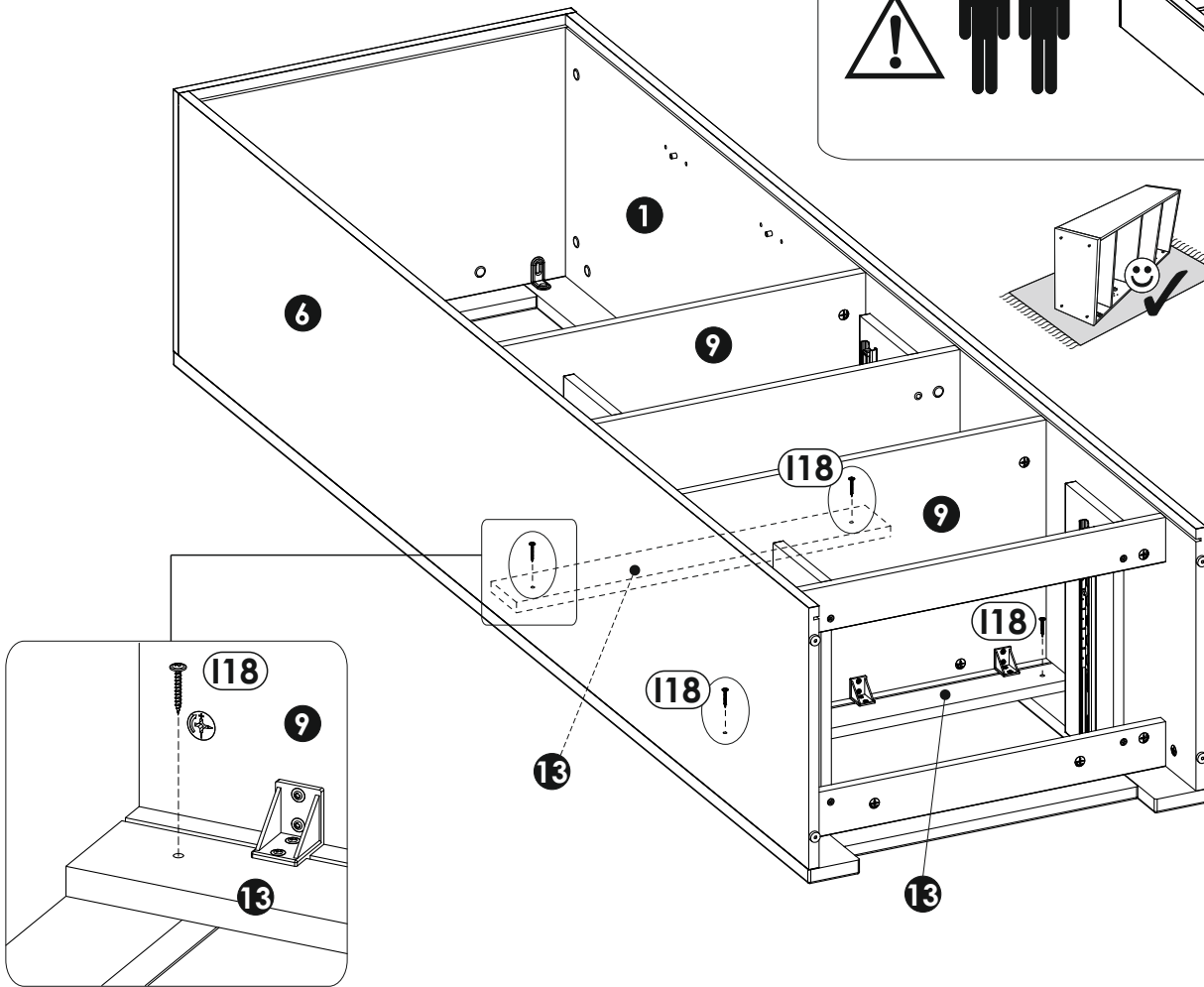
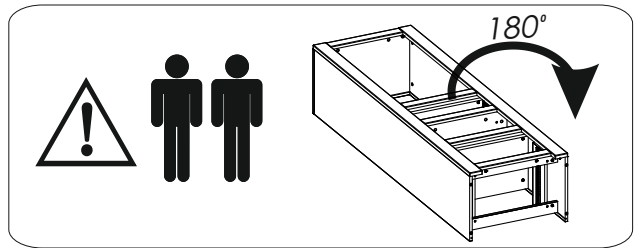
20 ▶



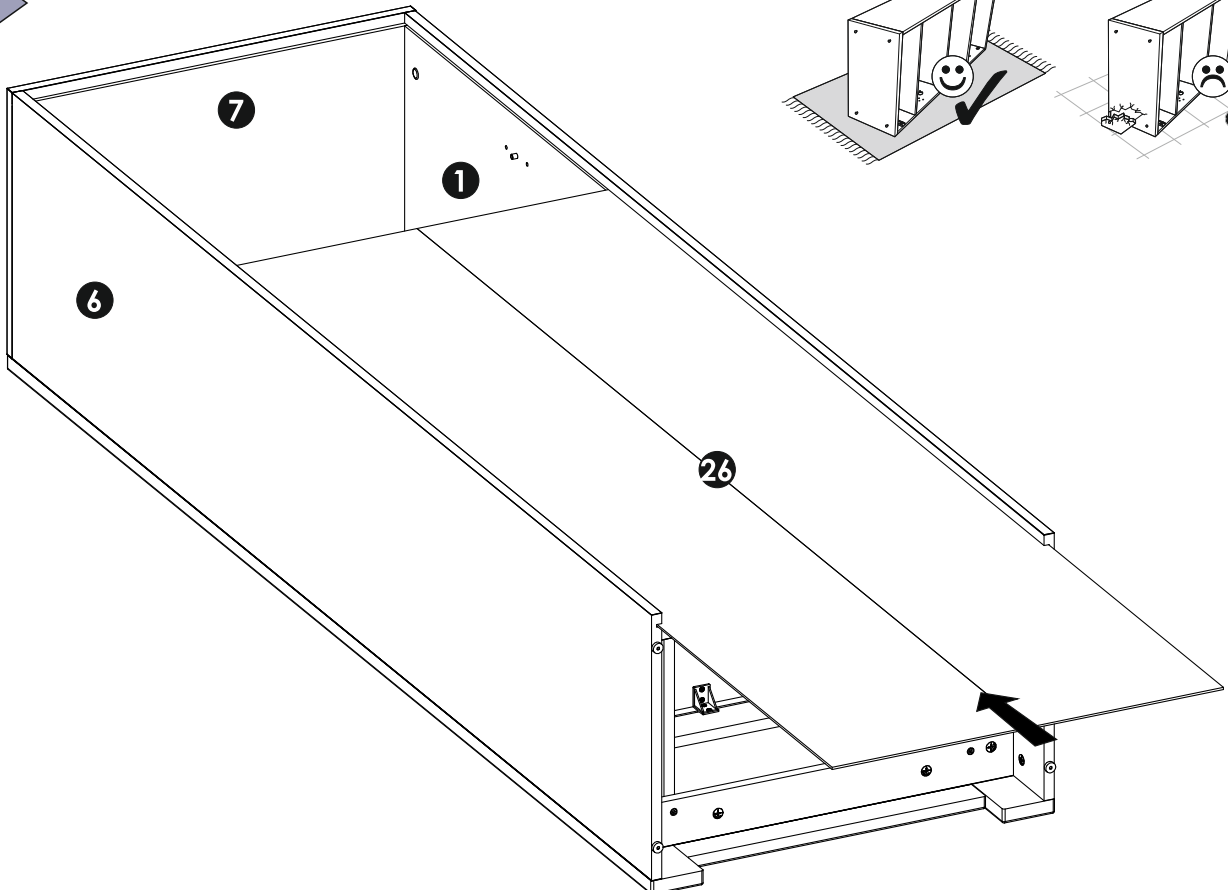
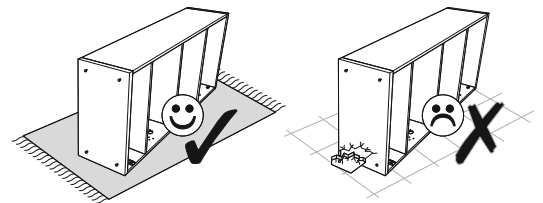
21 ▶



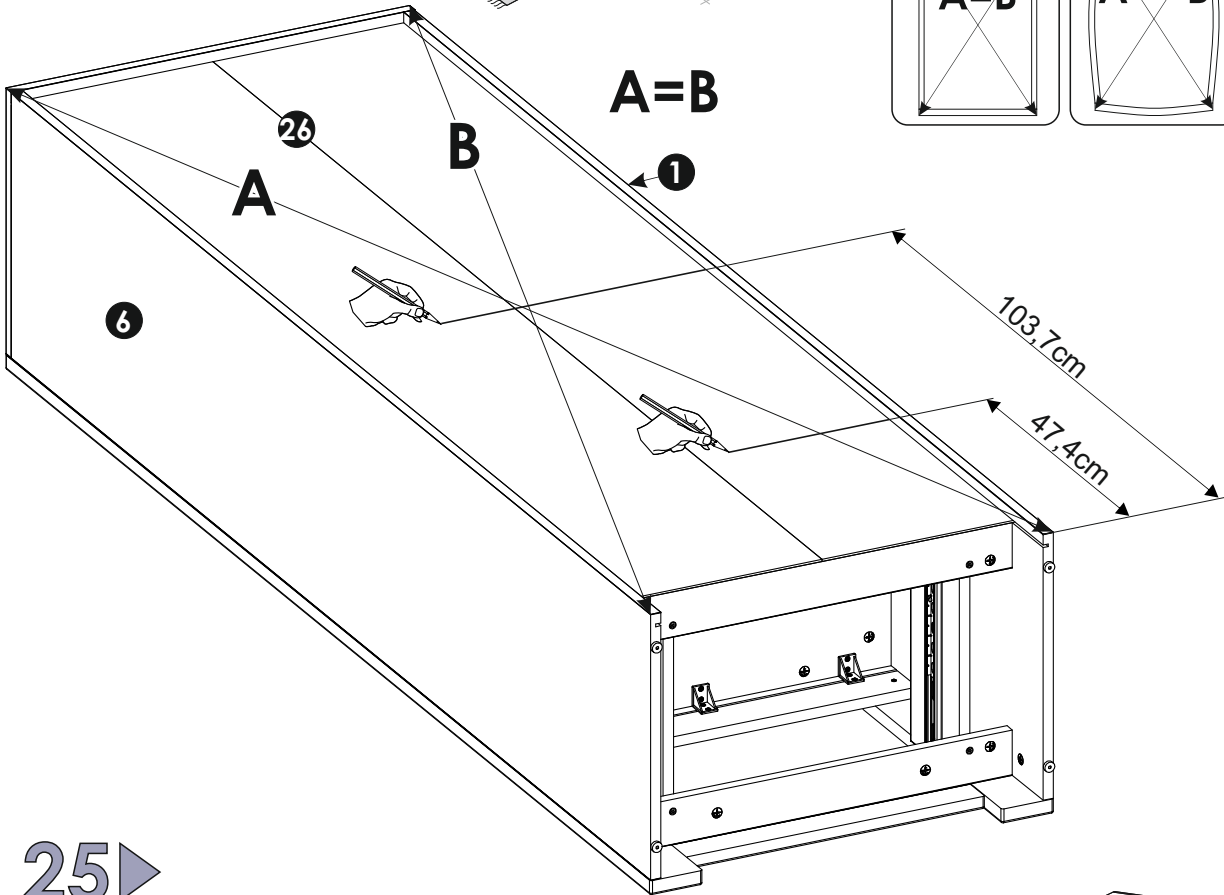
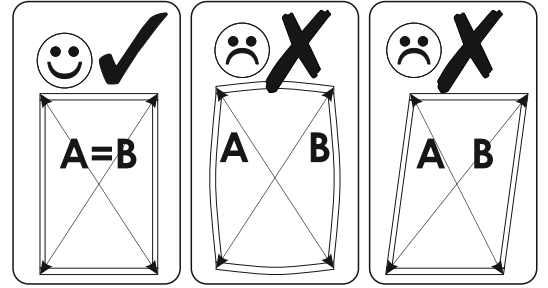
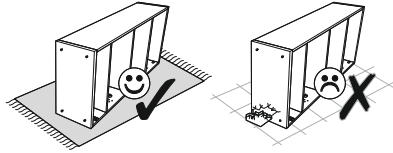
22 ▶



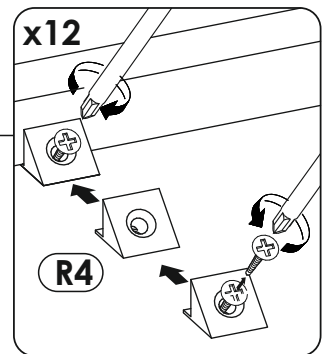
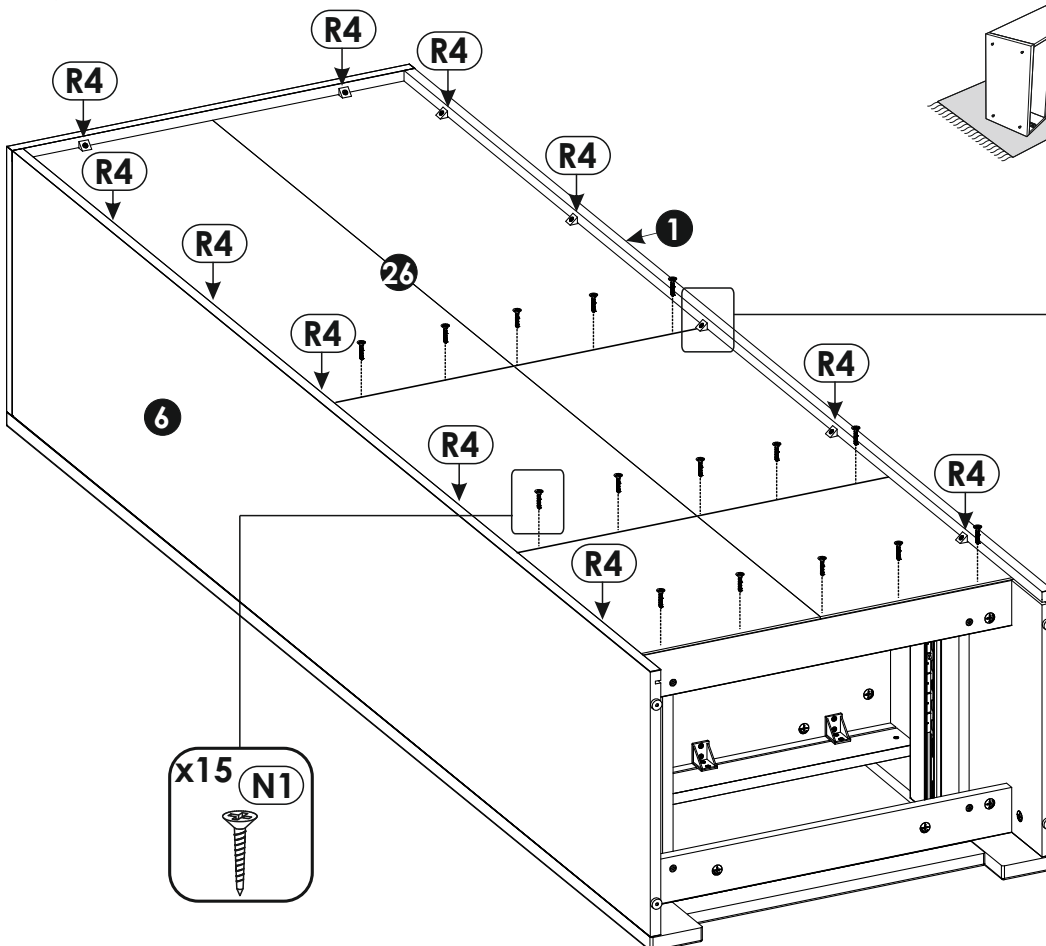
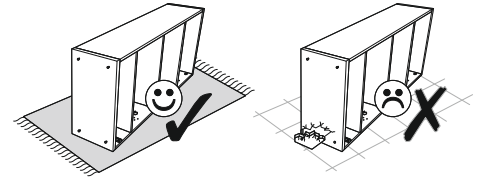
23 ▶

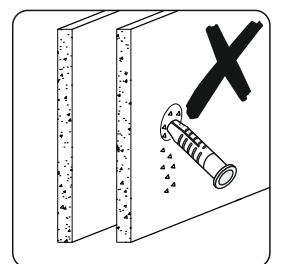
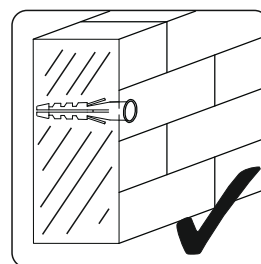
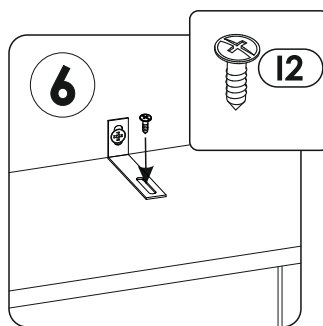
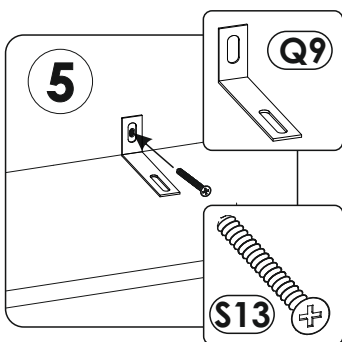
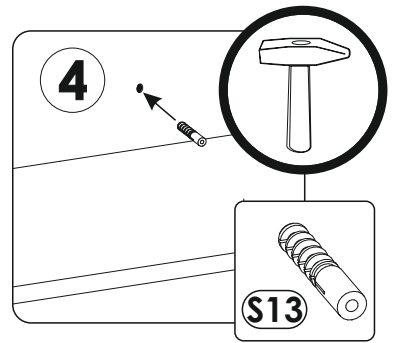
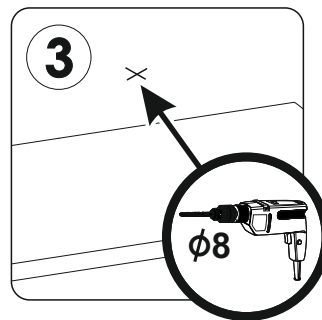
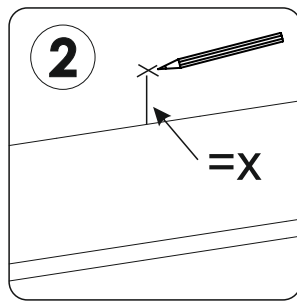
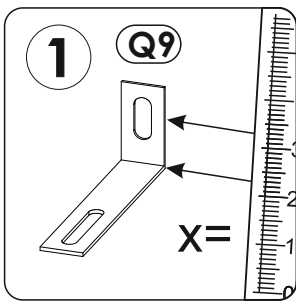
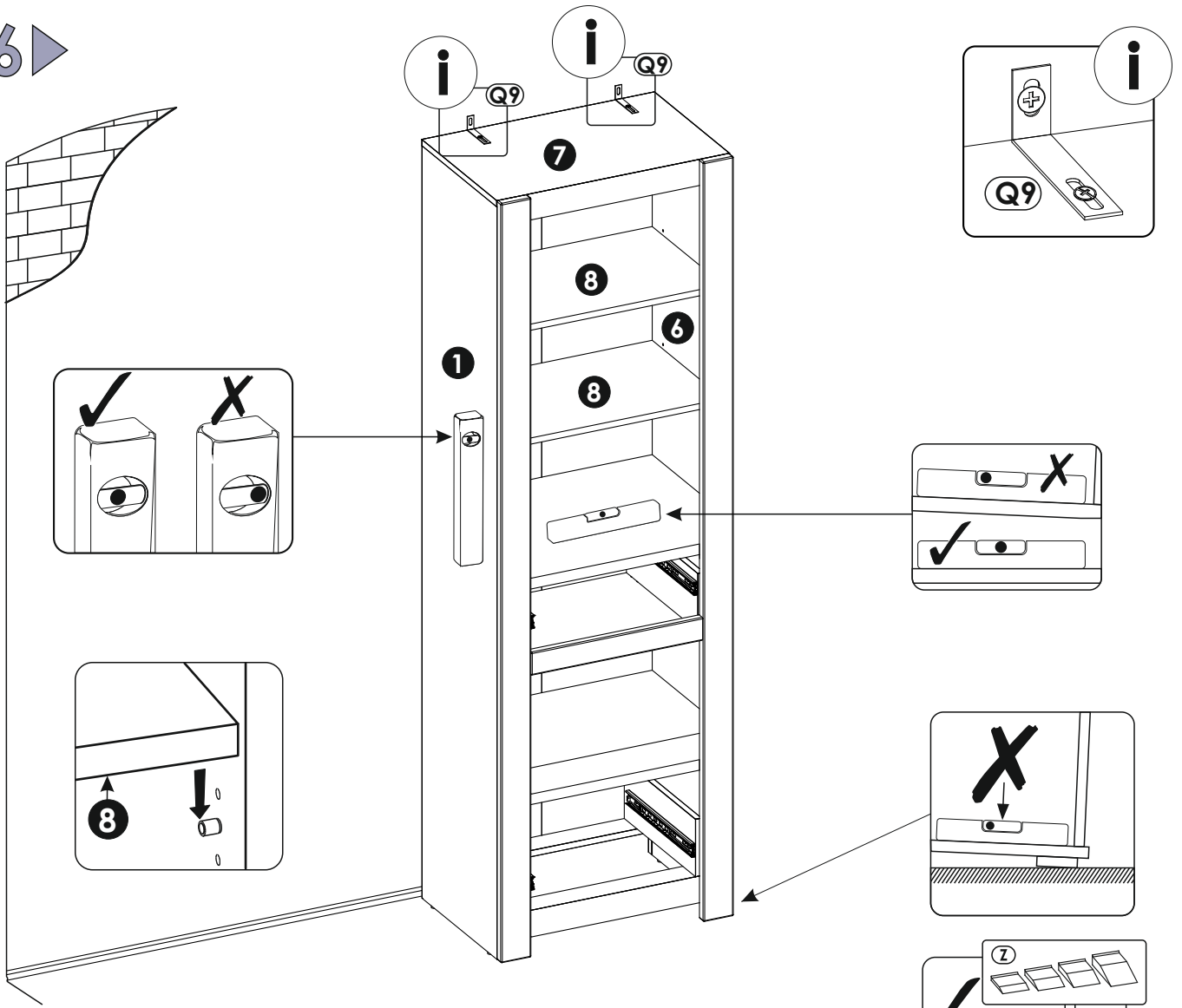


24 ▶

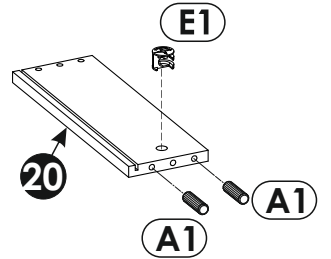
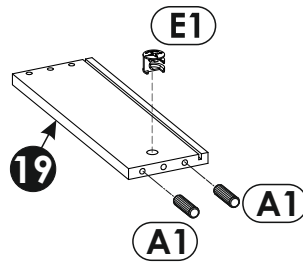
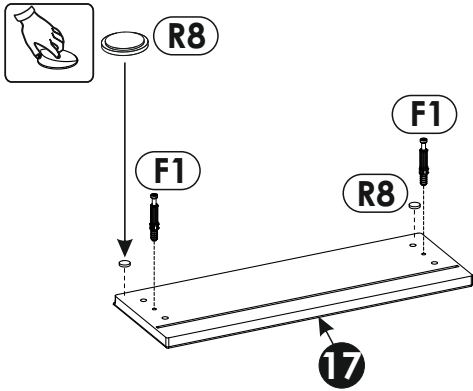
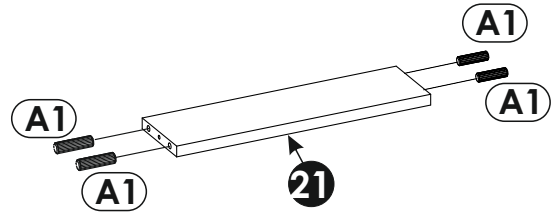
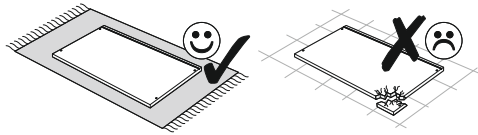


25 ▶

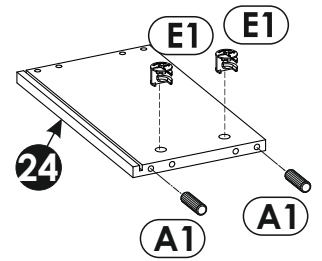
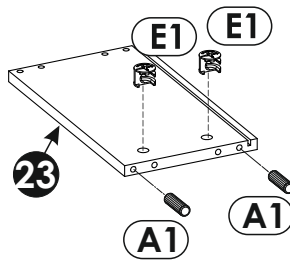
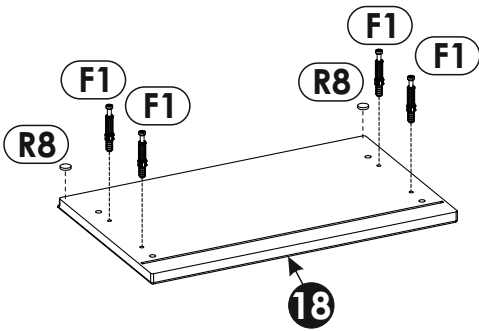
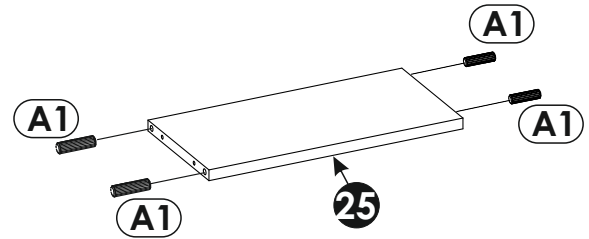
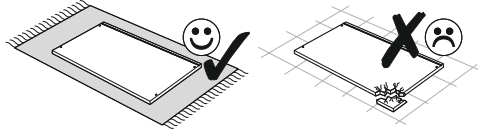




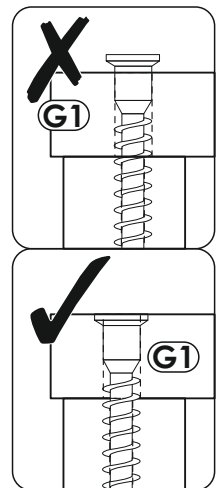
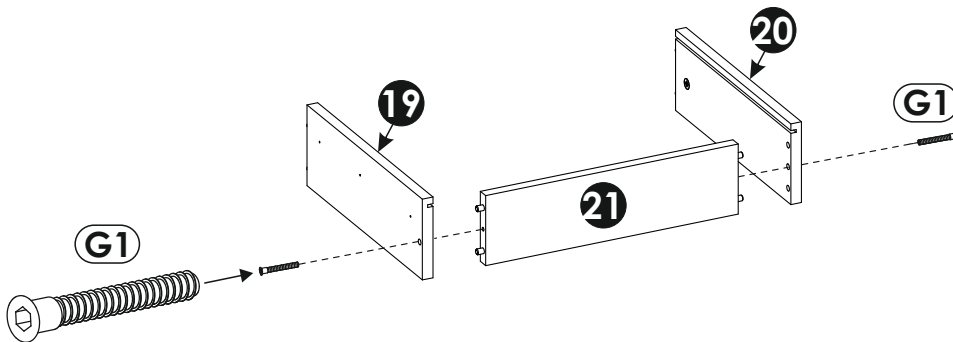
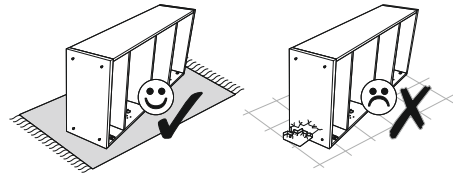
27▶

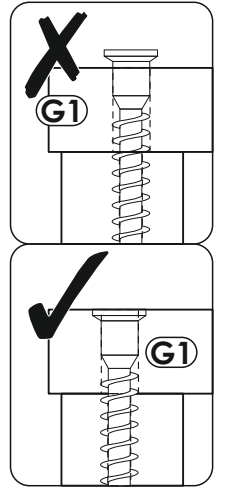
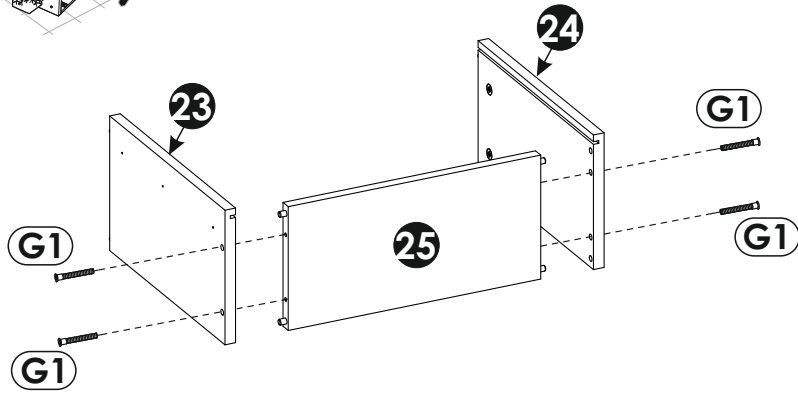
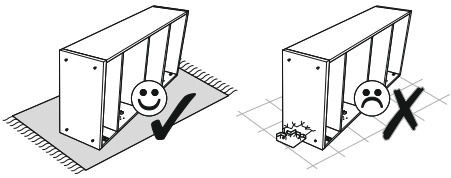


28▶

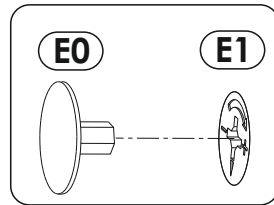
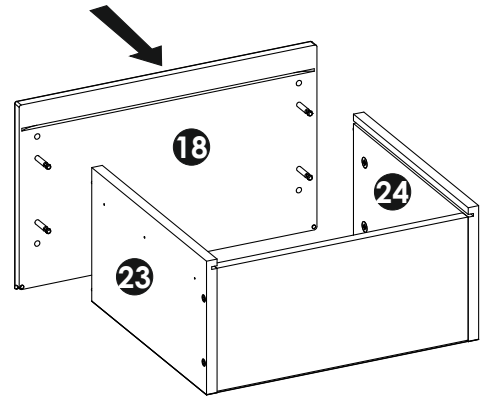
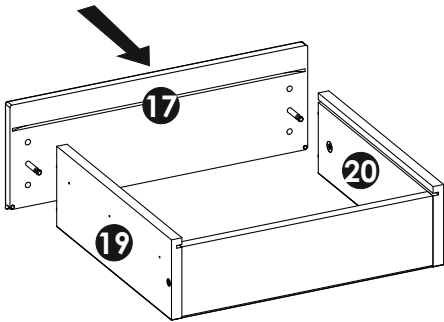
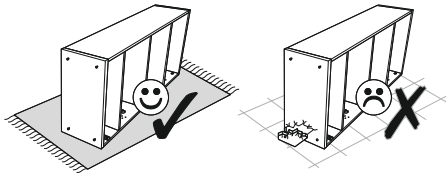


29▶

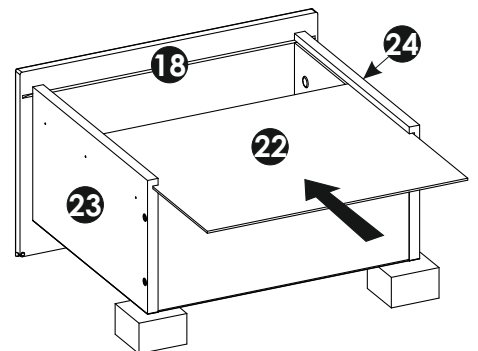
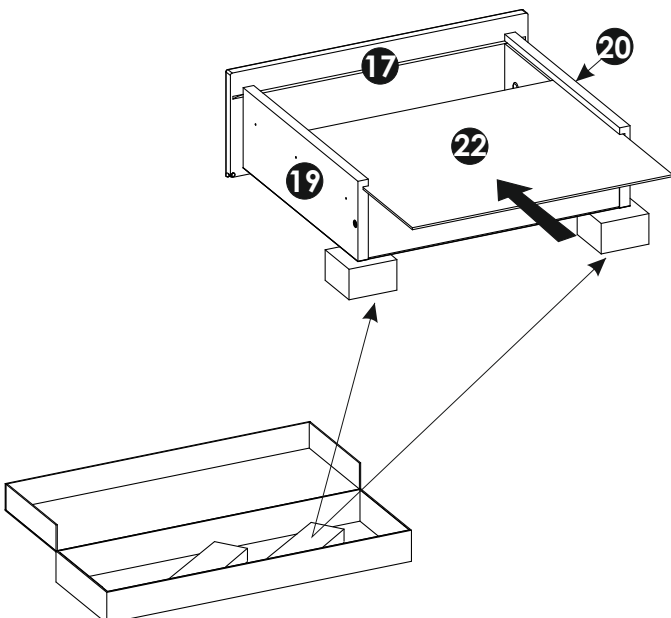
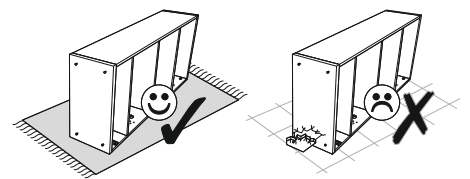




30 ▶

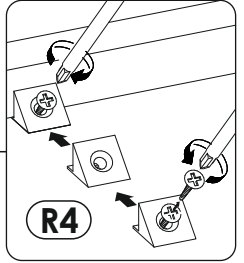
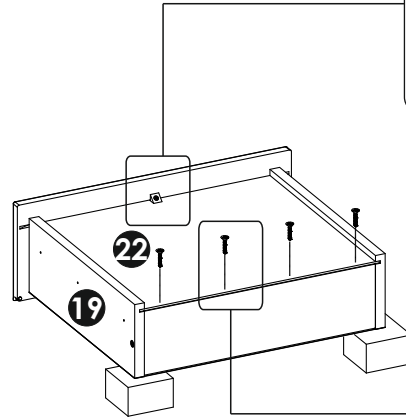
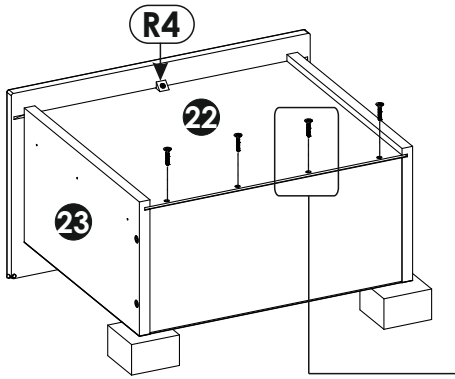
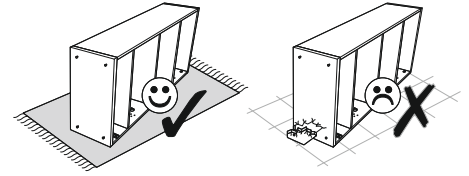
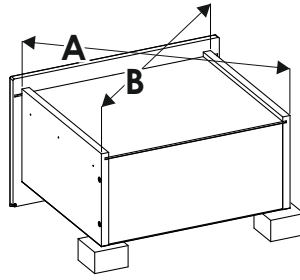
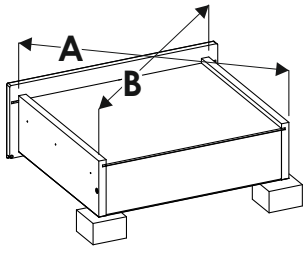


31 ▶

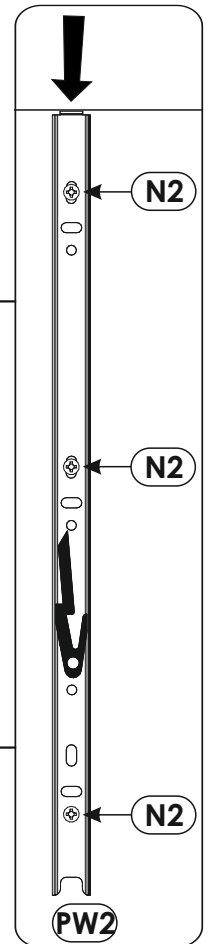
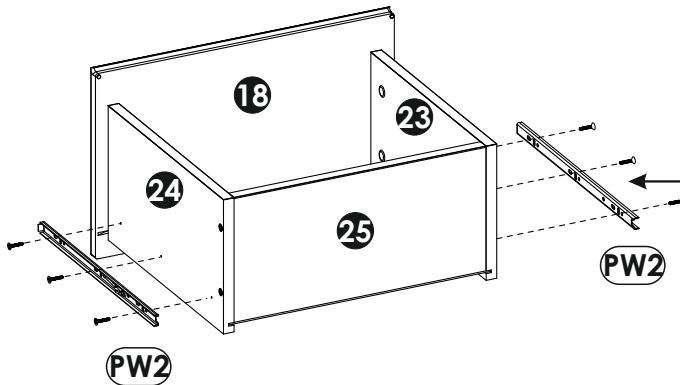
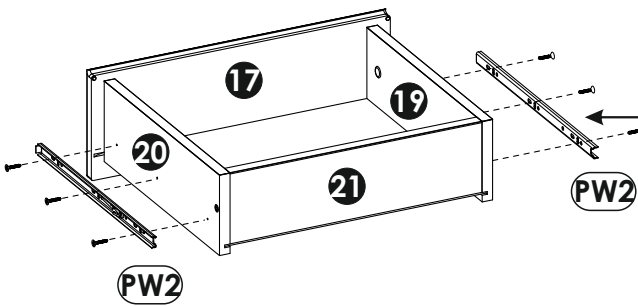
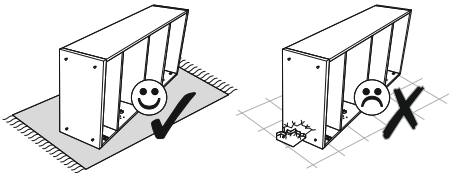


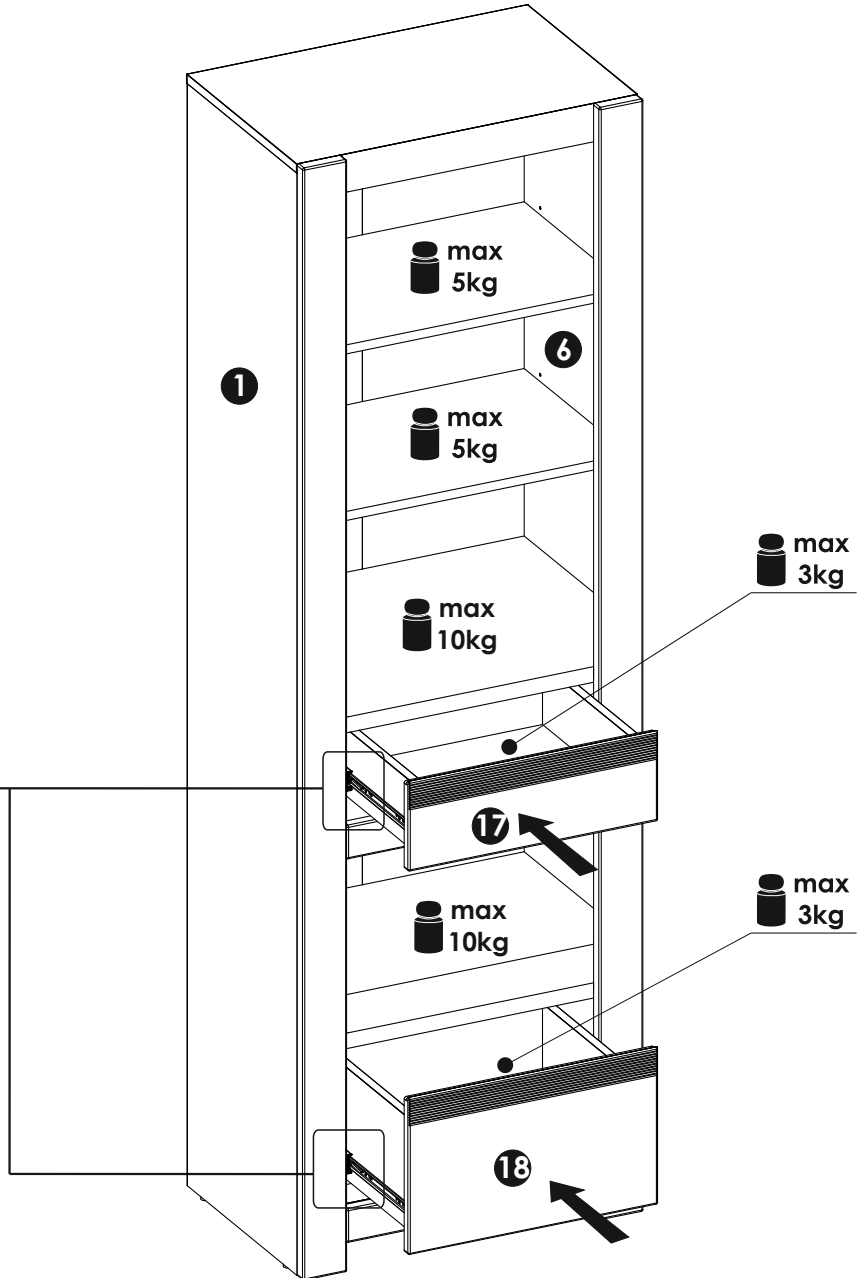
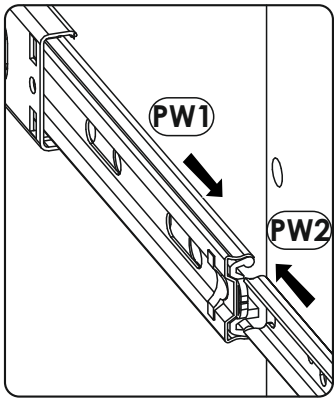
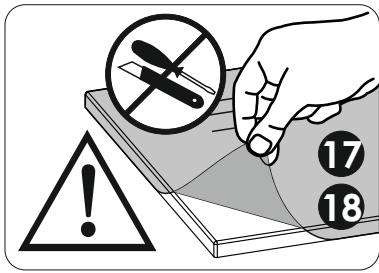
32 ▶

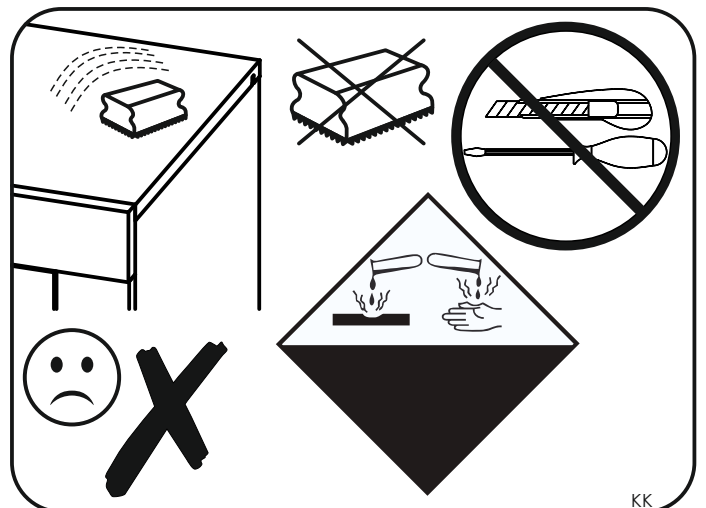
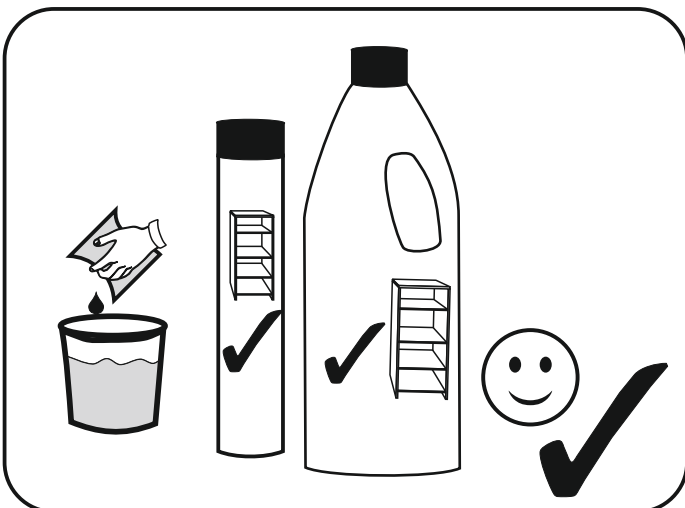
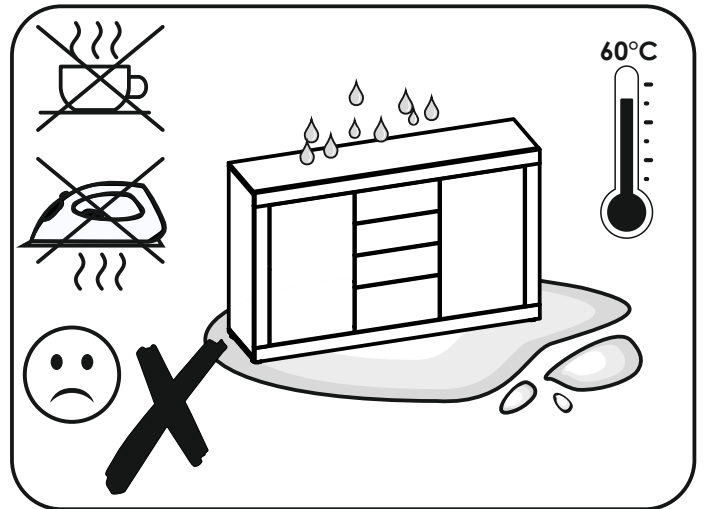
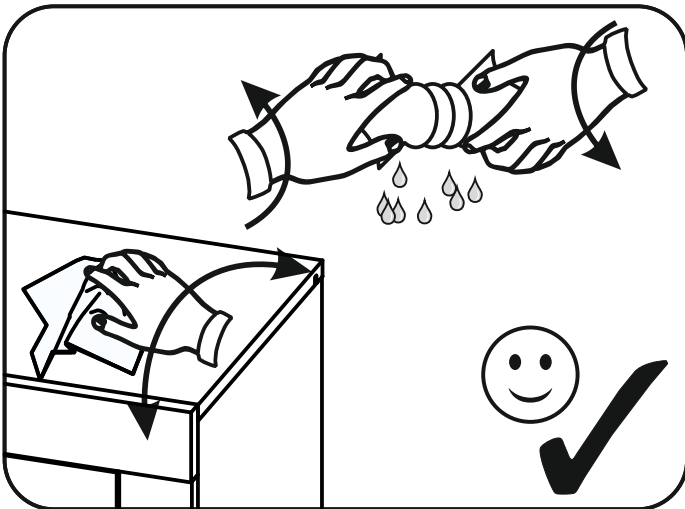
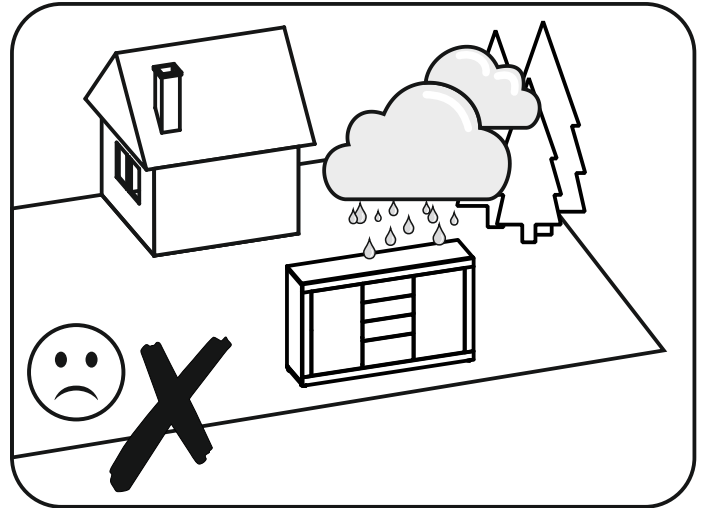
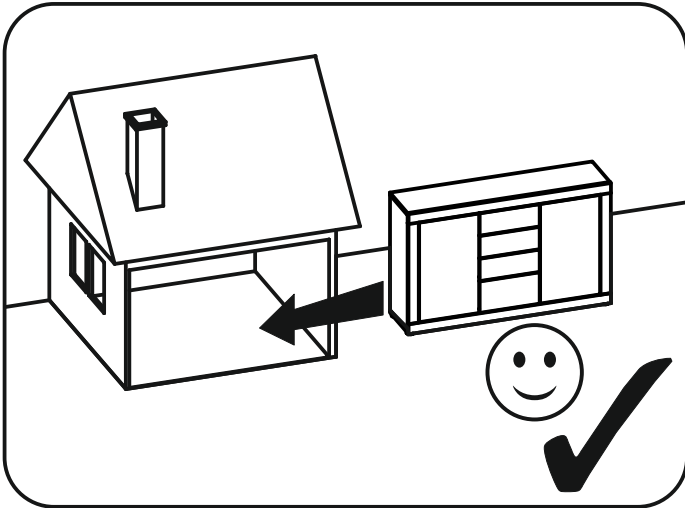
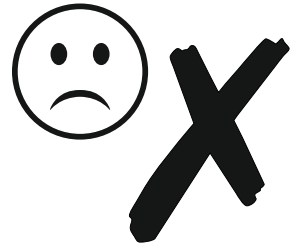
A=B



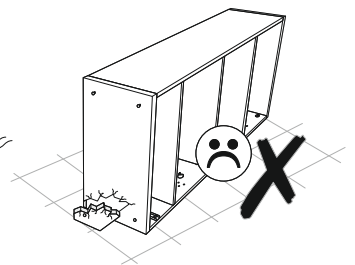
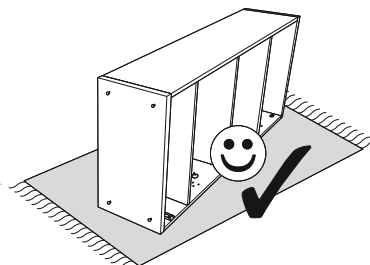
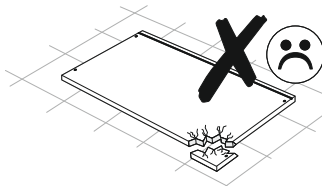
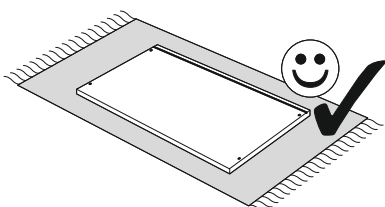
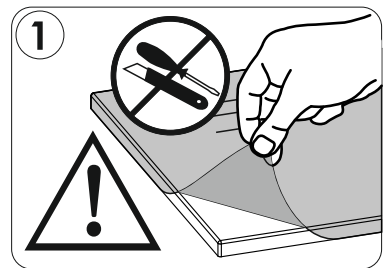
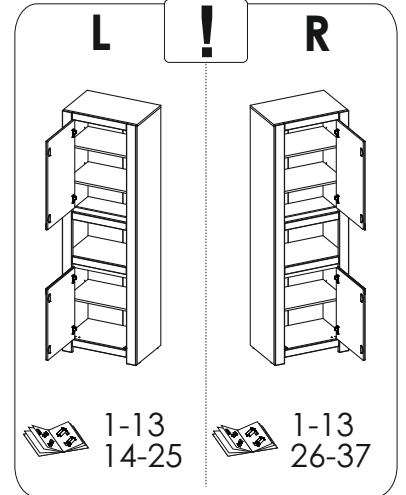
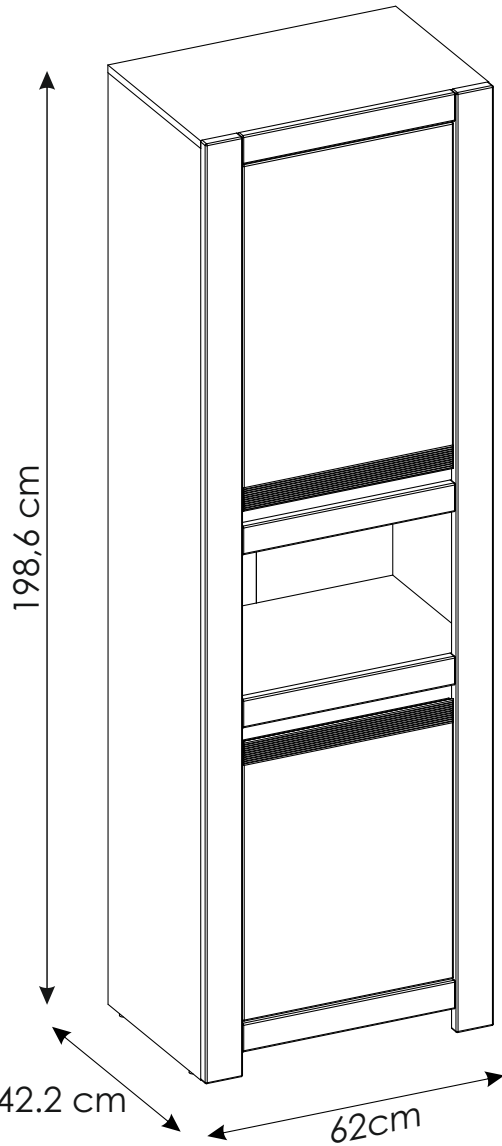
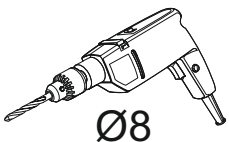
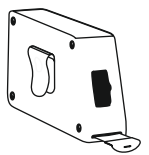
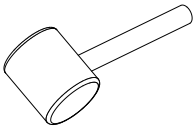
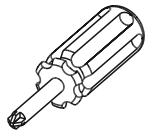
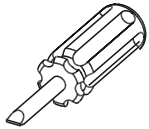
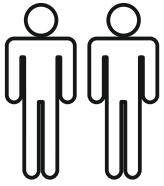
33 ▶

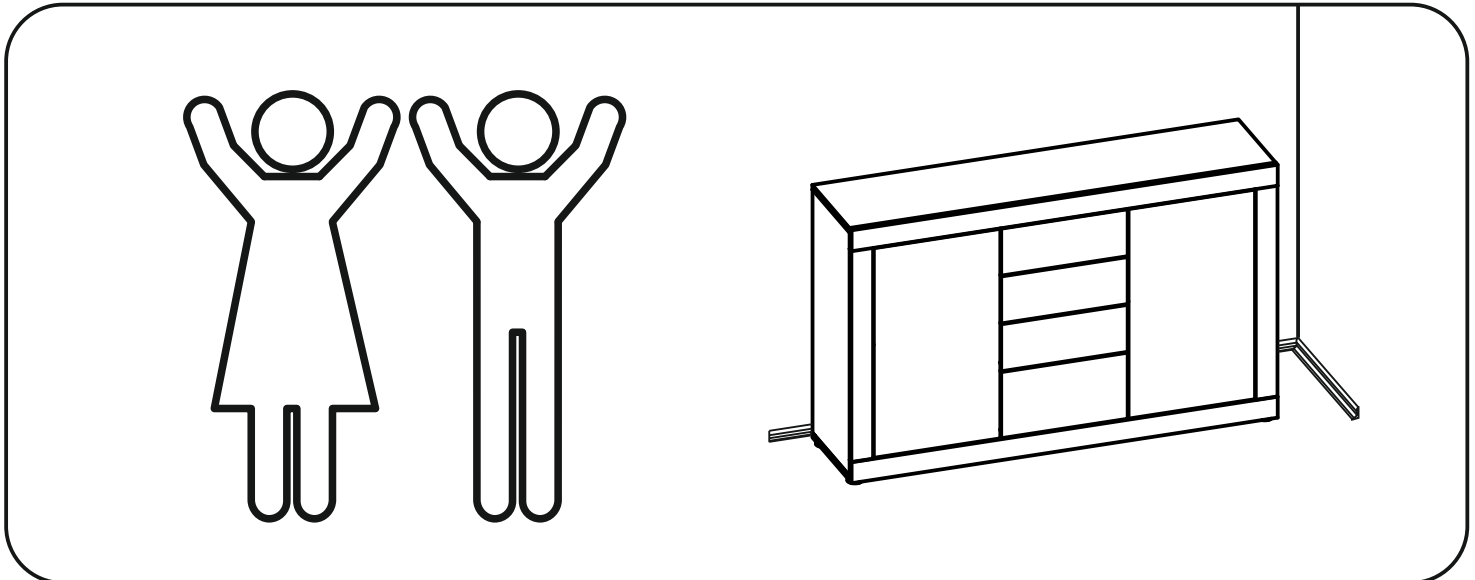
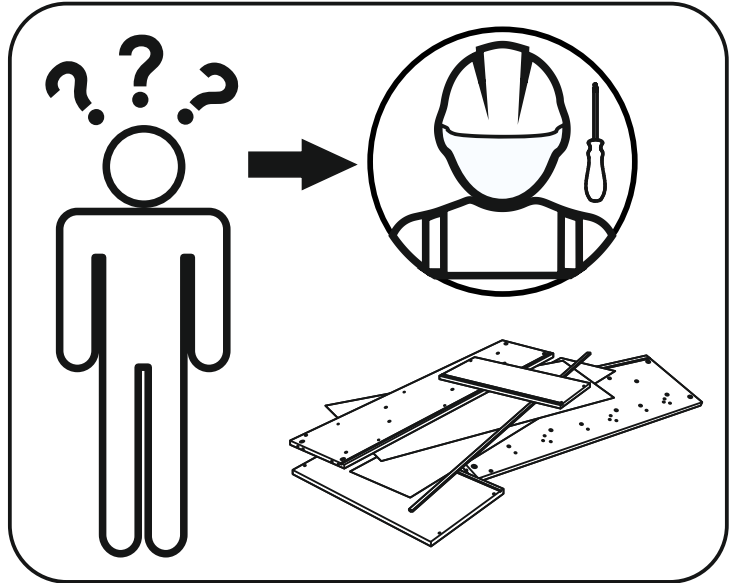
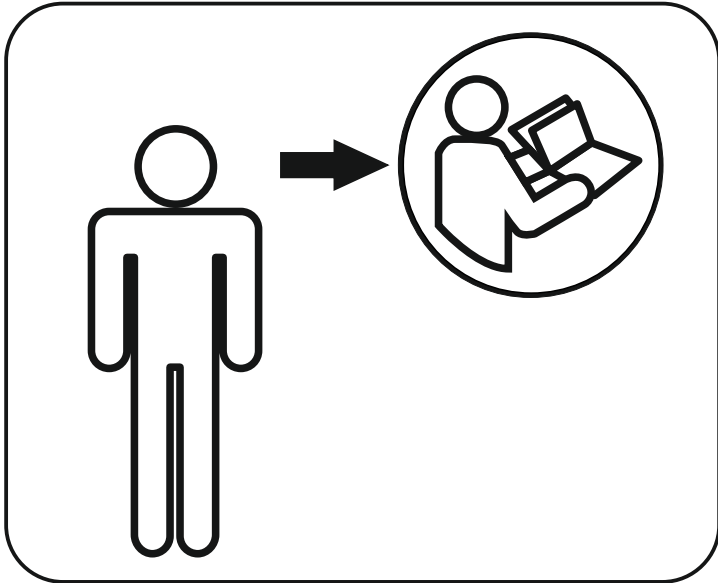
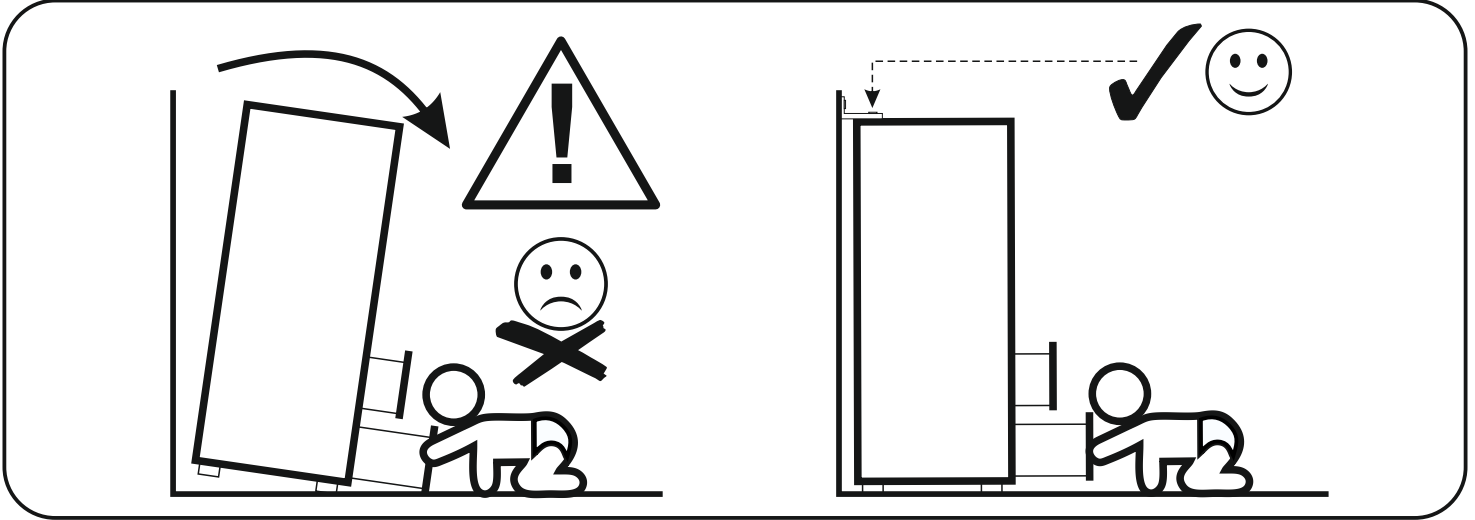
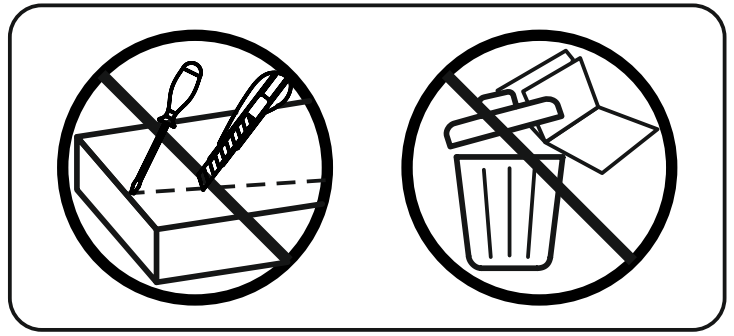
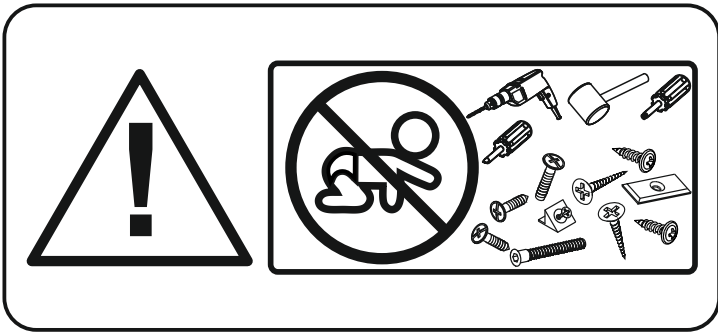






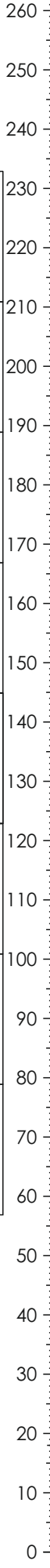
NVIS01

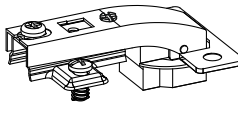
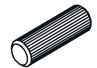

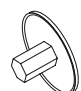
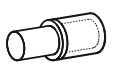

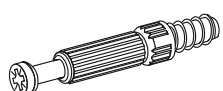




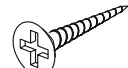

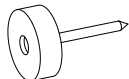
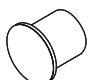
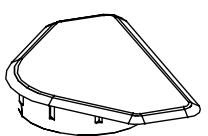
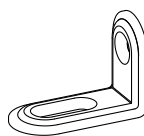
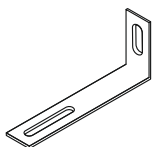
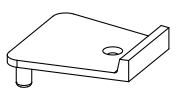

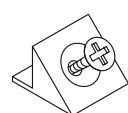

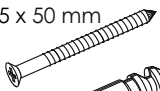
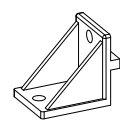
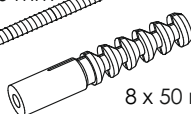
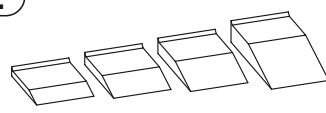


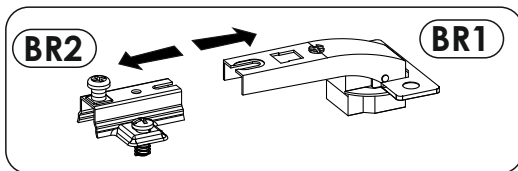
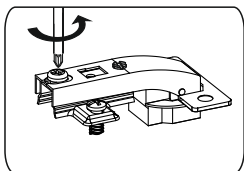


NVIS01

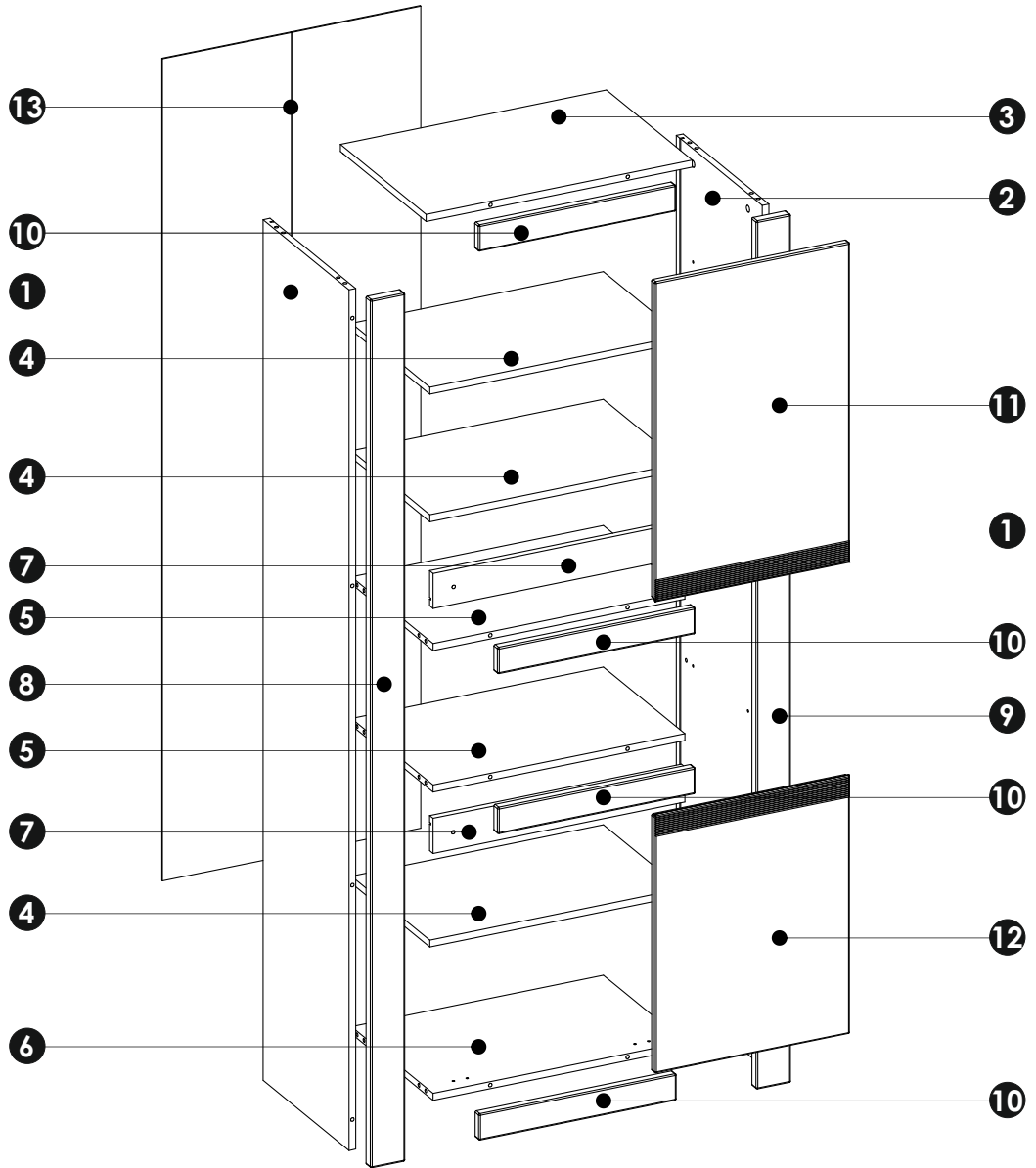
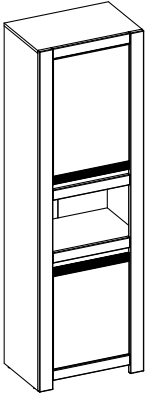
MM



A1	8 x 35 mm	x16	BR1 +		x4	C1	4 x 13 mm	x8
			BR2					
D2		x12	E0		x24	E1	15 x 12 mm	x32
								
F1	6 x 34 mm	x32	I2	4 x 16 mm	x2	I13	3 x 13 mm	x25
								
I18	3.5 x 27 mm	x4	N1	3 x 16 mm	x15	N2	3.5 x 16 mm	x4
								
N3	3 x 13 mm	x1	O2		x4	P0		x2
								
P20		x4	Q2		x2	Q9		x2
								
Q12		x1	Q13		x1	R4		x12
								
R8		x4	S13	5 x 50 mm	x2	W13		x6
								
								
Z		x1						
								

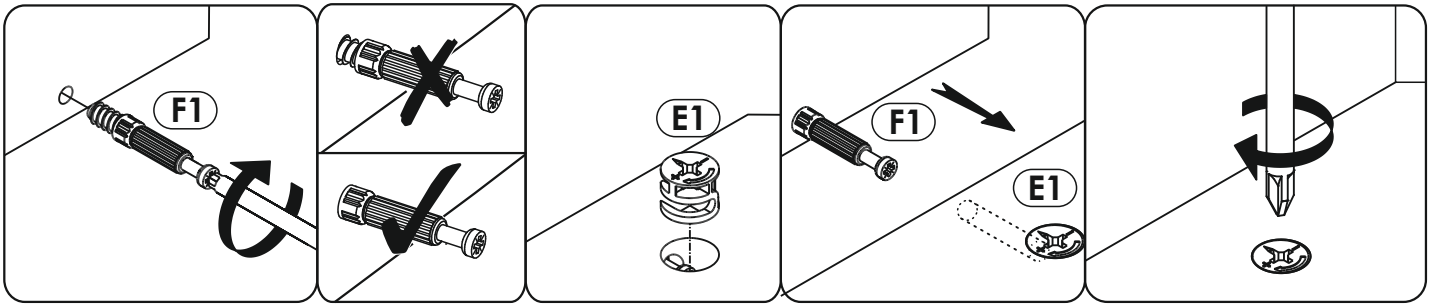


NVIS01

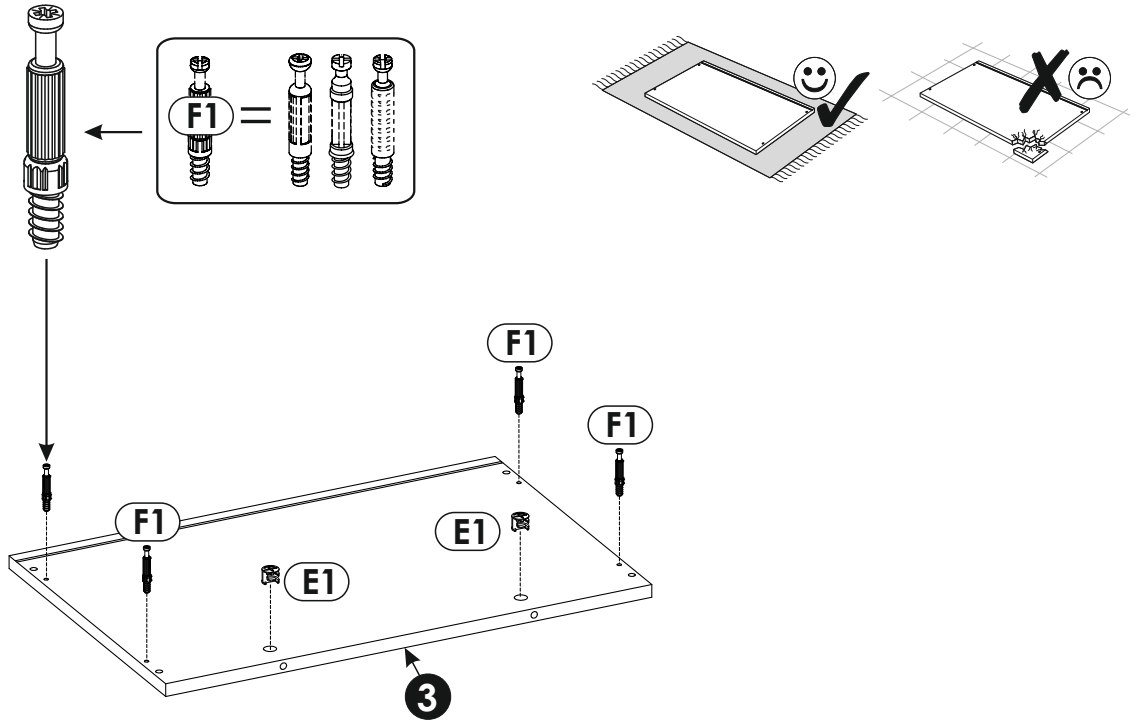


1	1964	400	16	x1	2/2
2	1964	400	16	x1	2/2
3	620	400	16	x1	1/2
4	587	365	16	x3	1/2
5	587	380	16	x2	1/2
6	587	380	16	x1	1/2
7	587	80	16	x2	1/2

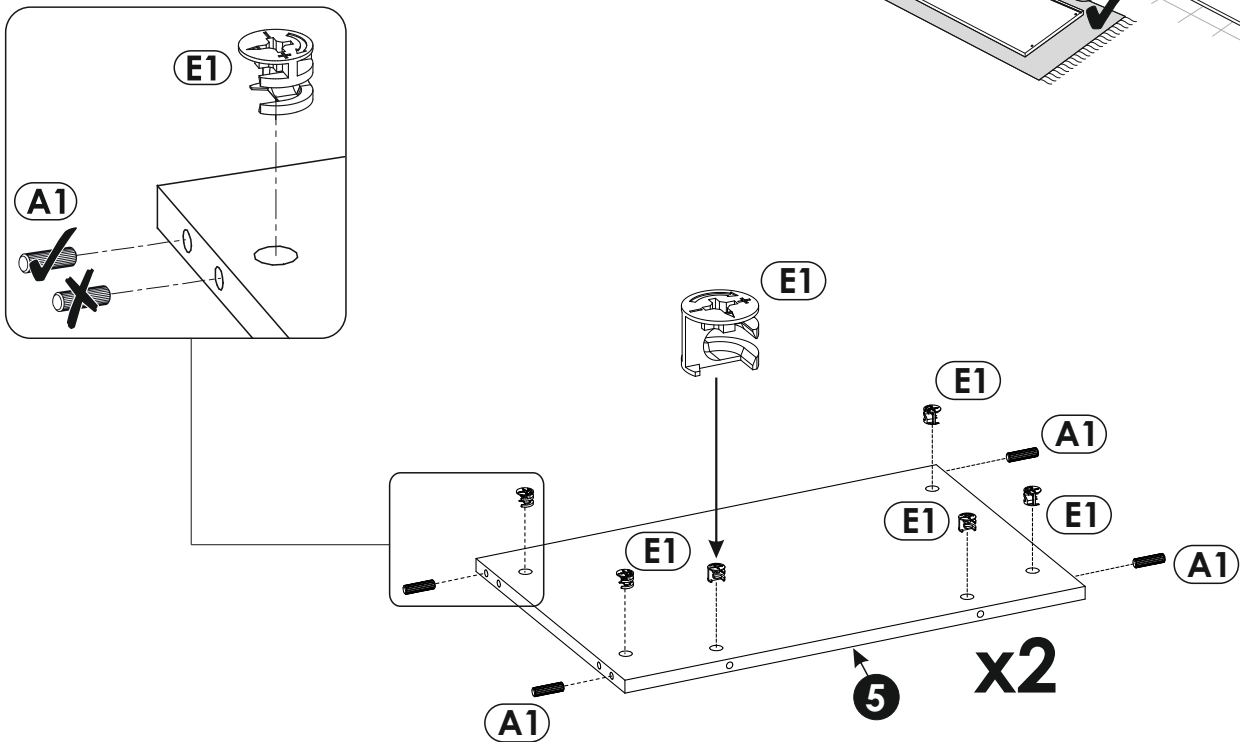
8	1981	80	22	x1	2/2
9	1981	80	22	x1	2/2
10	460	60	19	x4	2/2
11	730	454	16	x1	1/2
12	590	454	16	x1	1/2
13	1876	602	3	x1	2/2



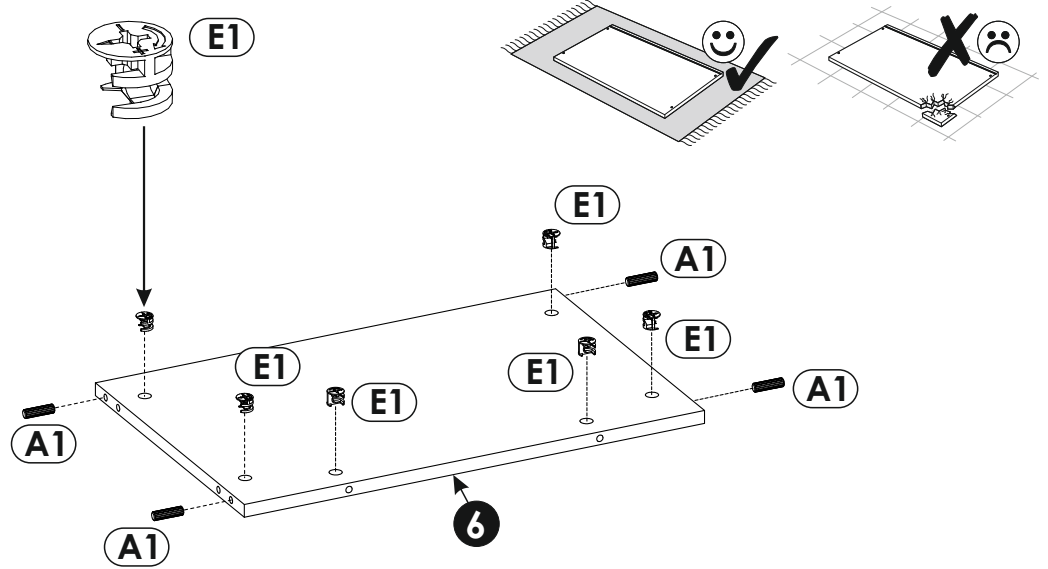
1 ▶



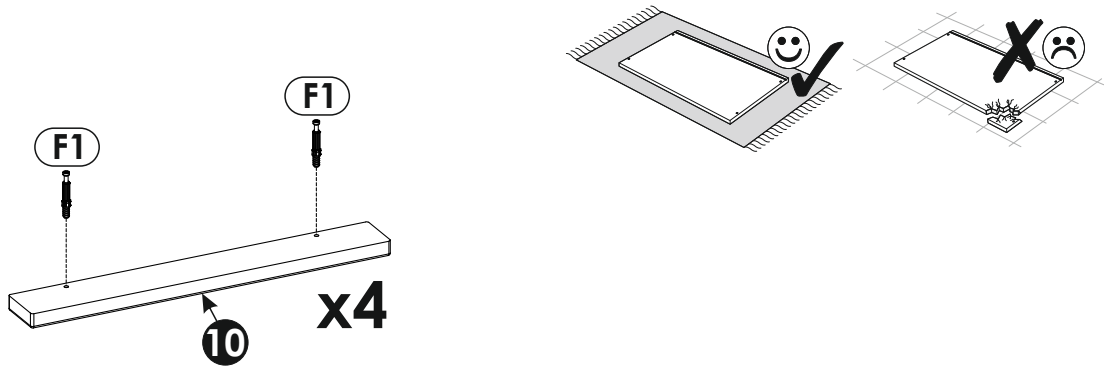
2 ▶



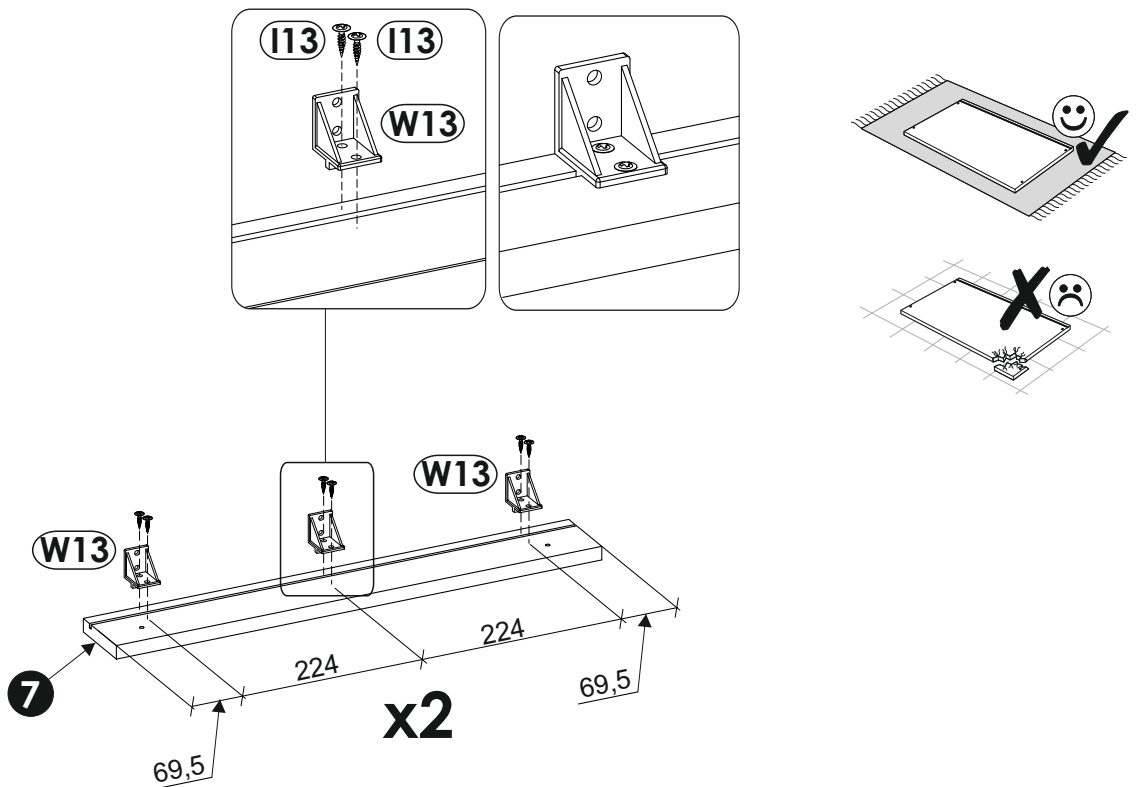
3 ▶

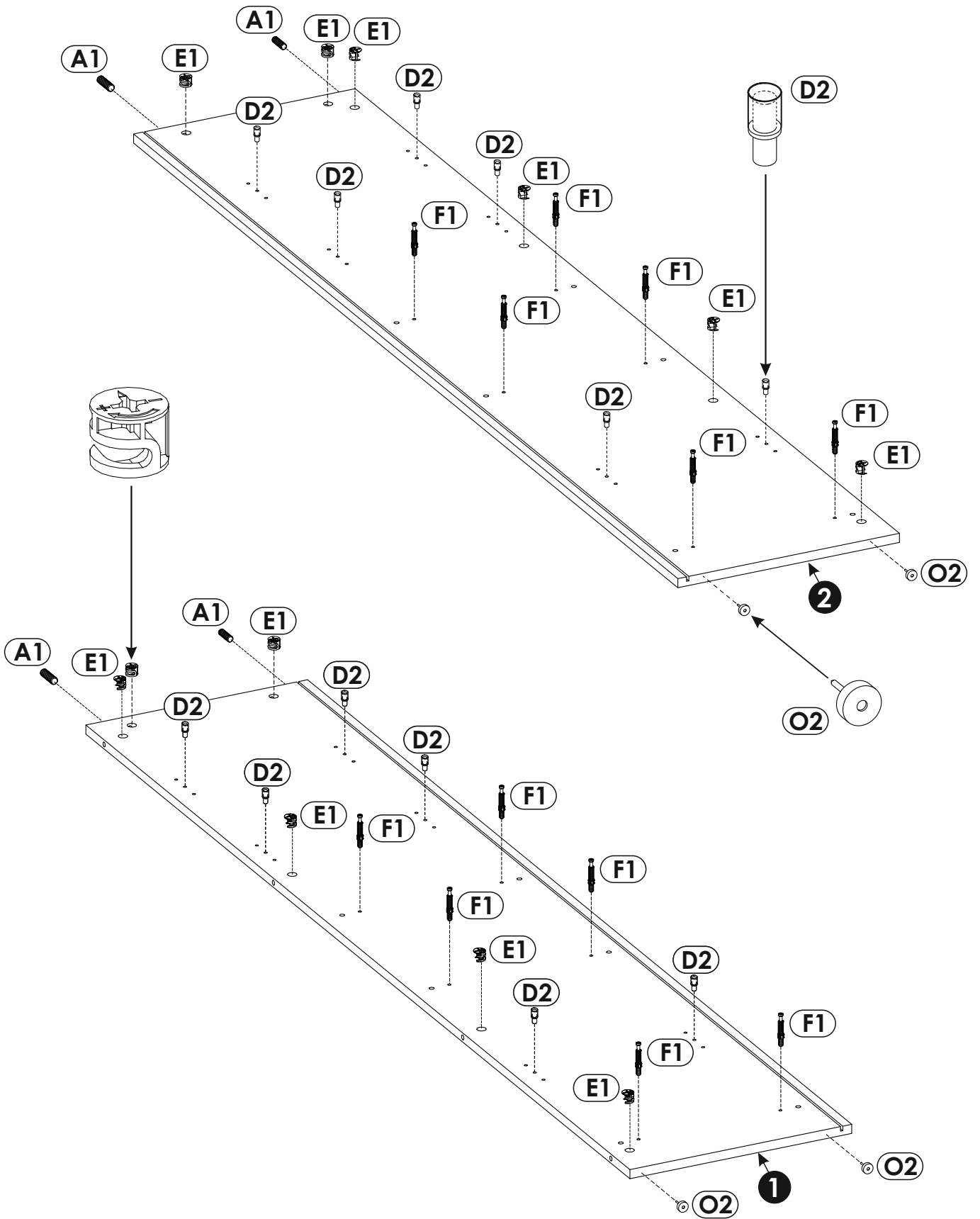
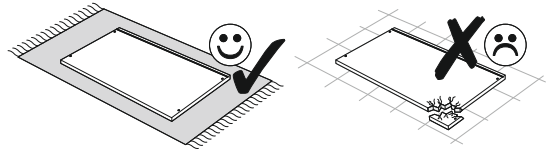


4 ▶

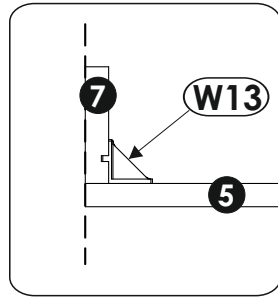
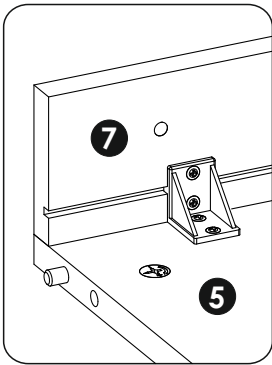
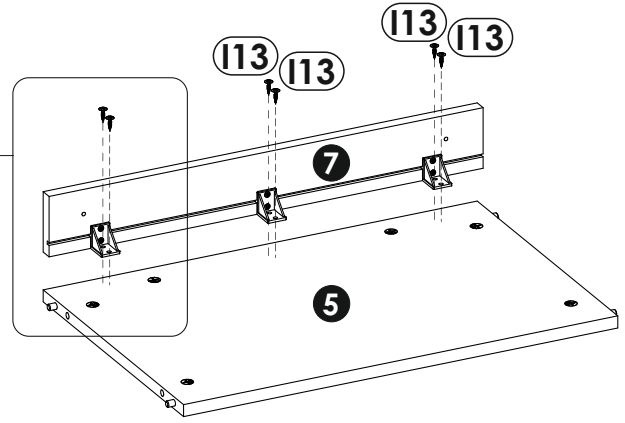
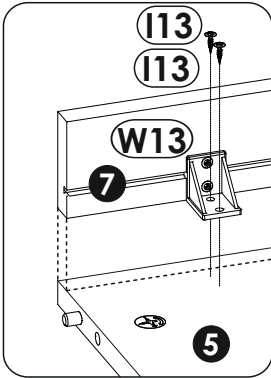
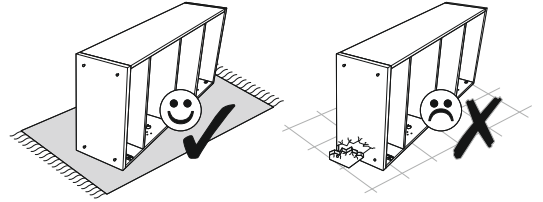


5 ▶

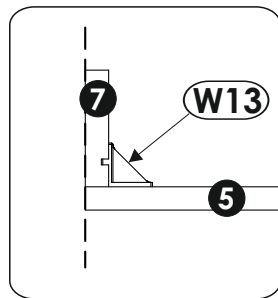
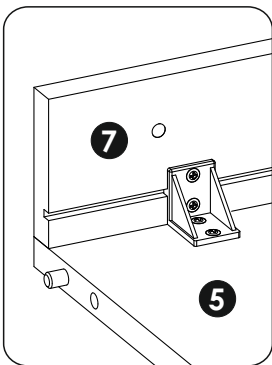
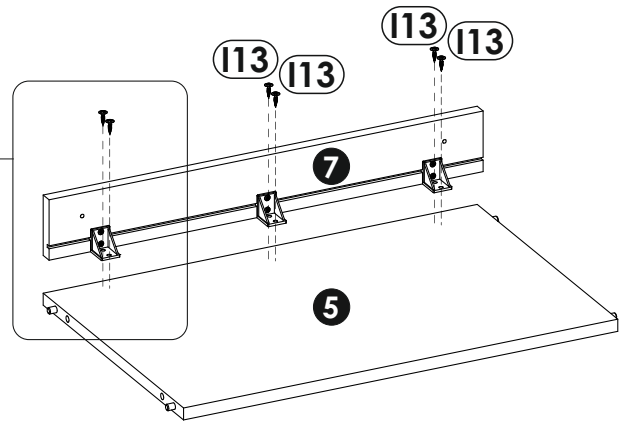
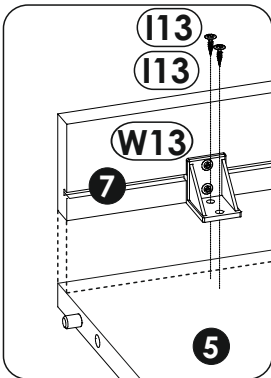
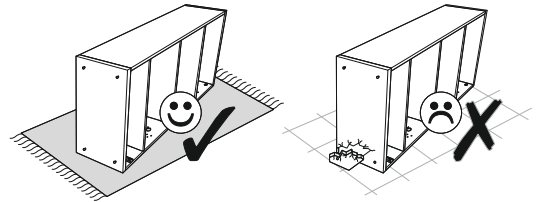




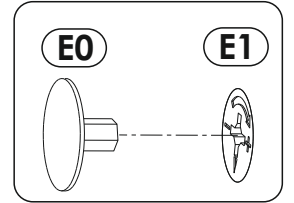
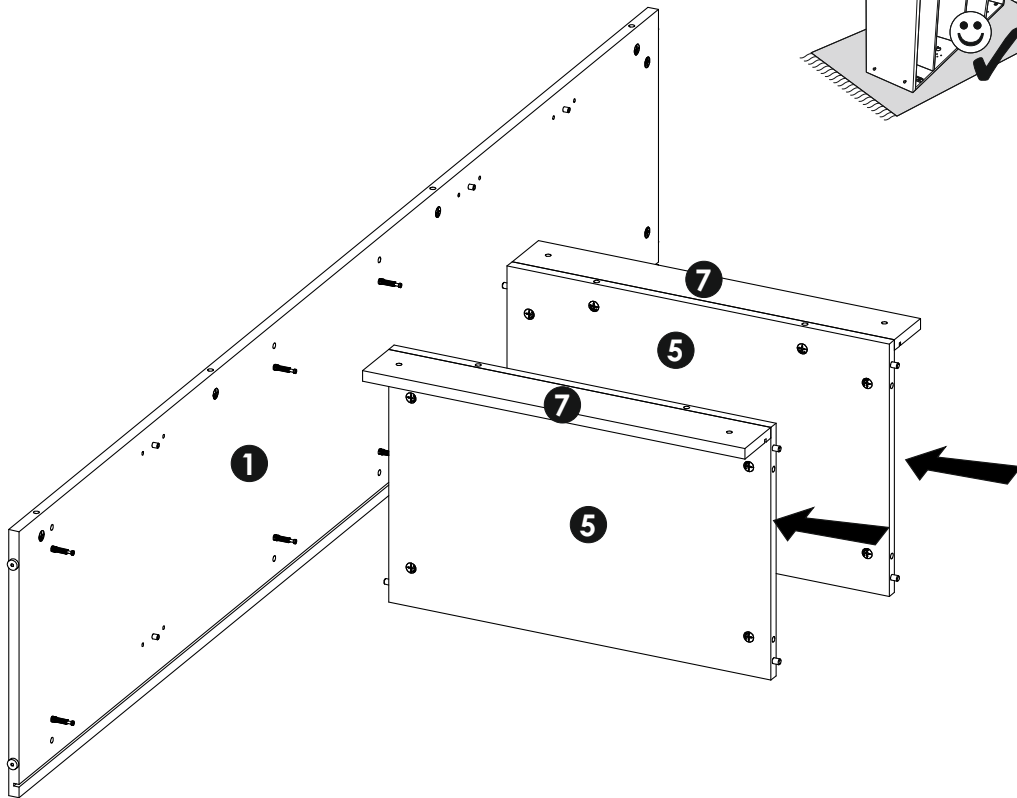
7 ▶



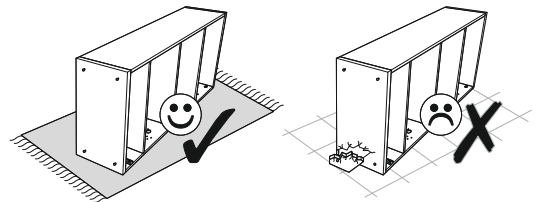
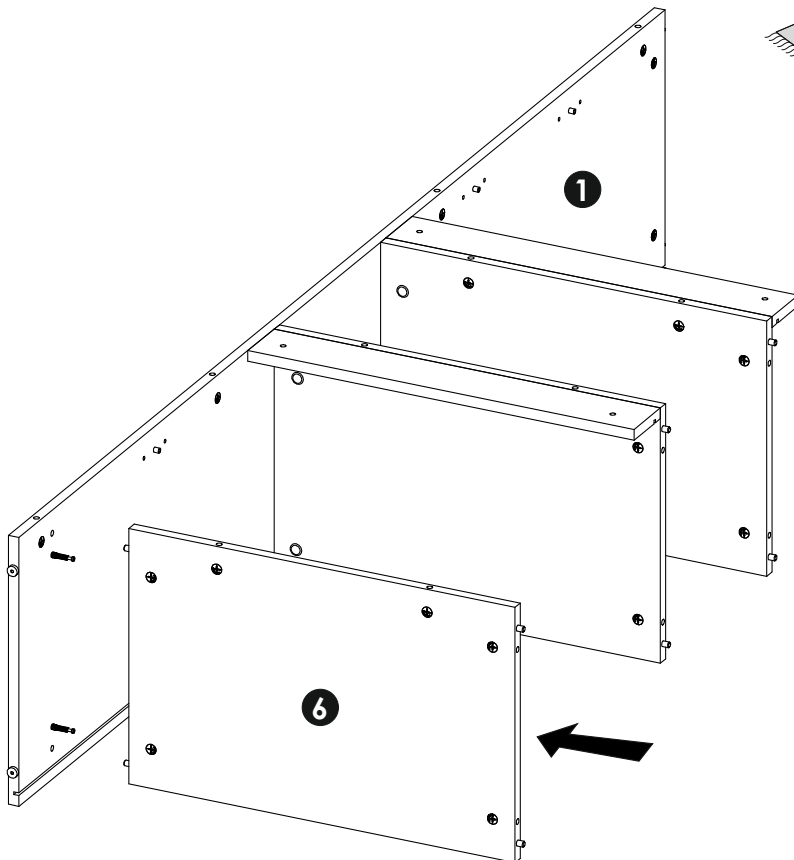
8 ▶



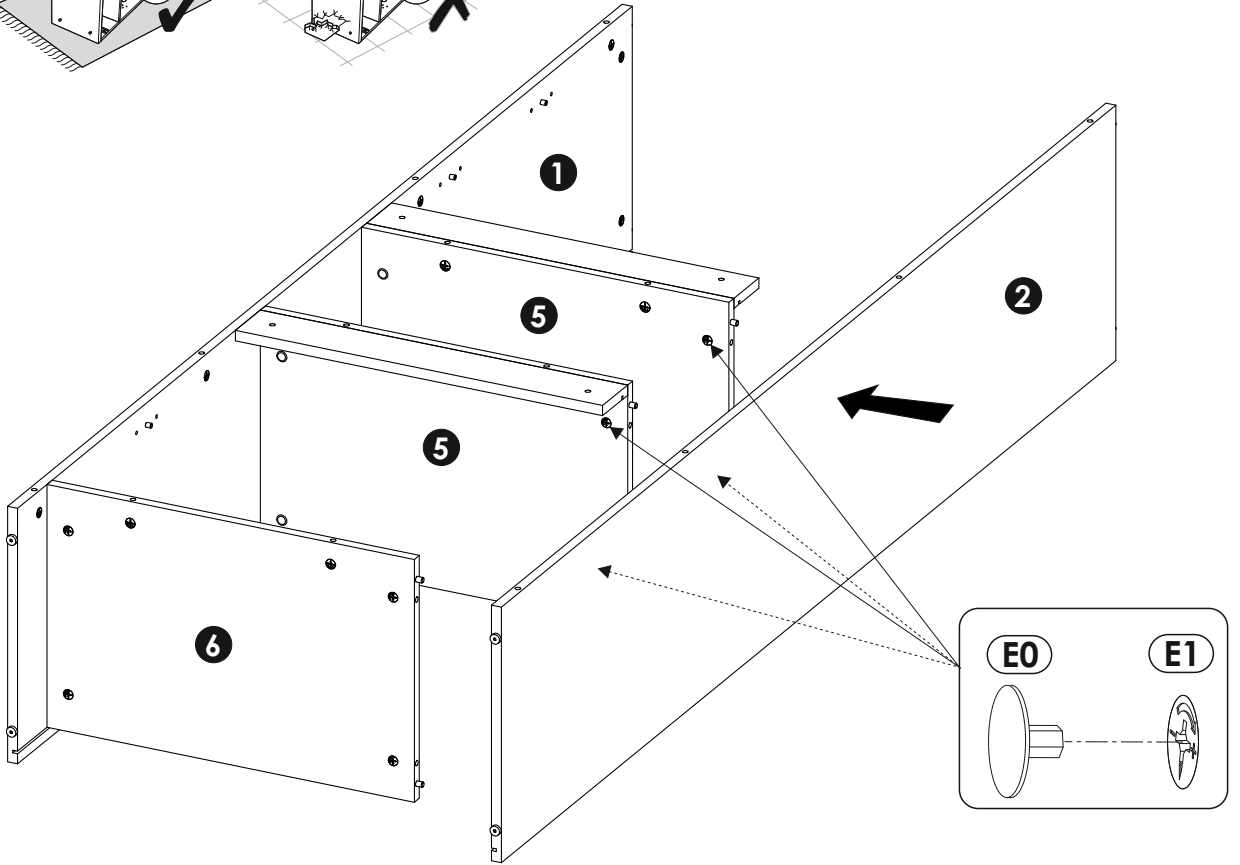
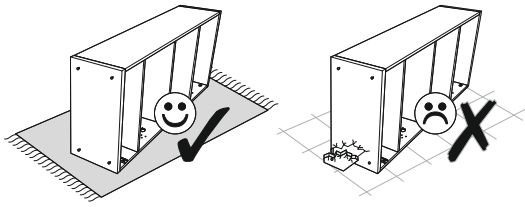
9 ▶



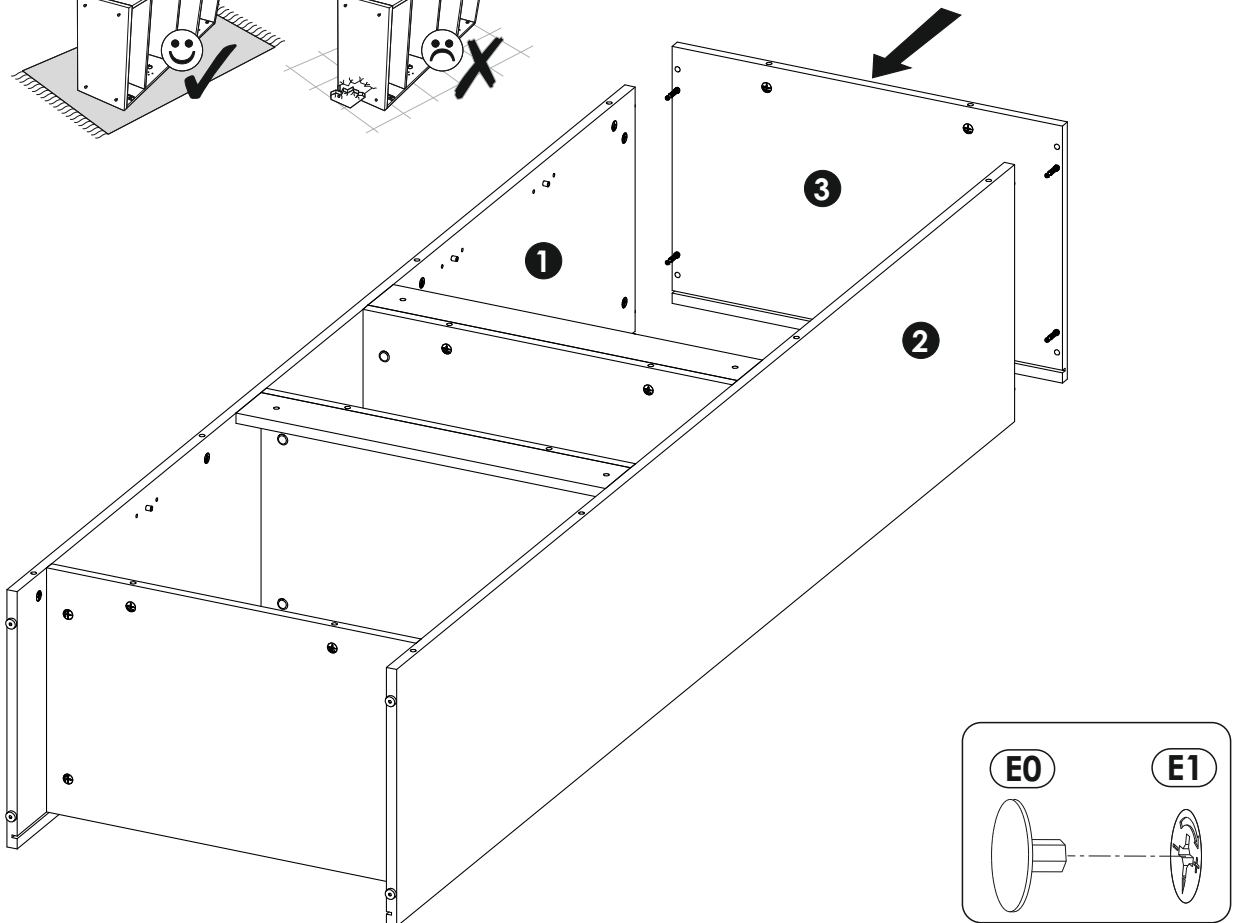
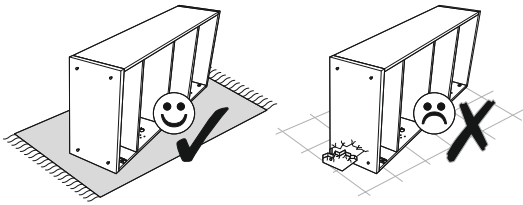
10 ▶



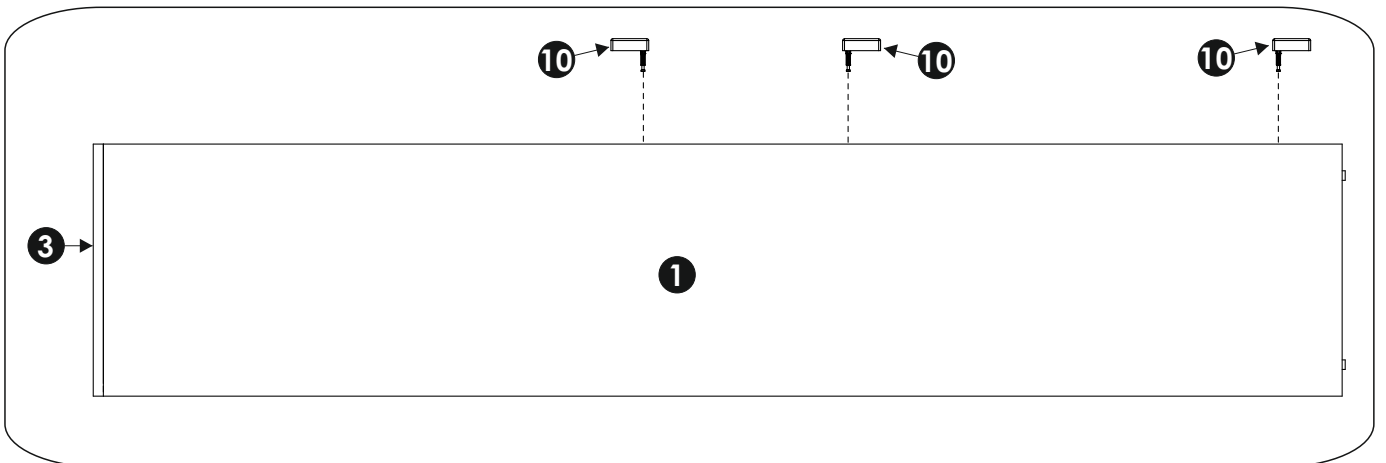
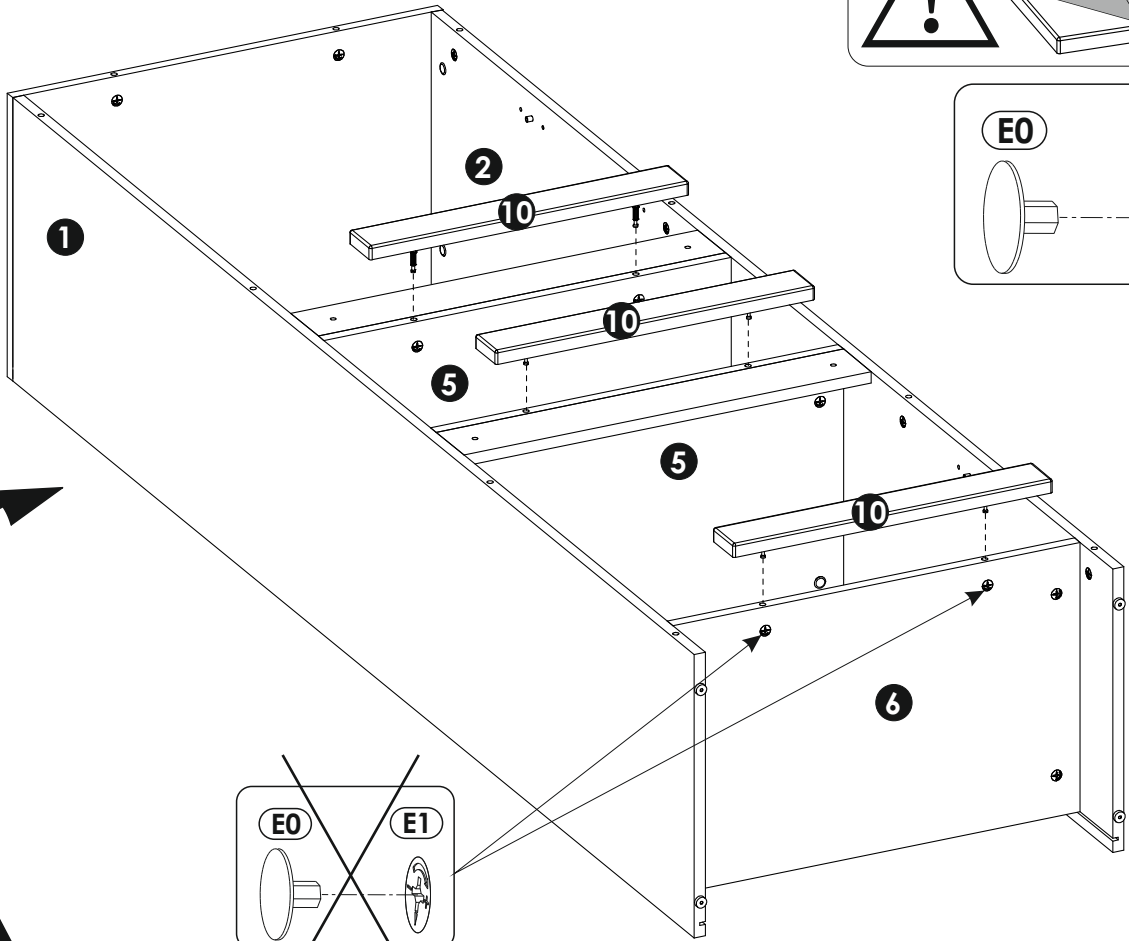
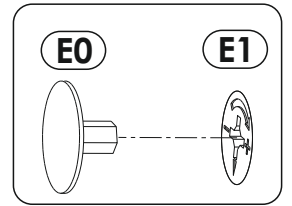
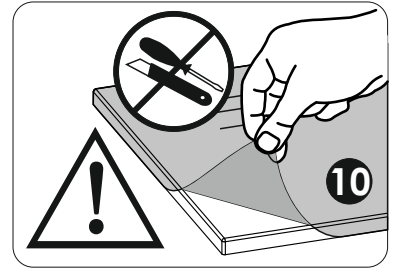
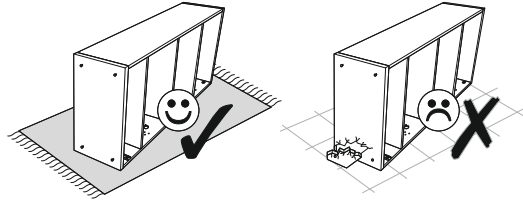
11 ▶



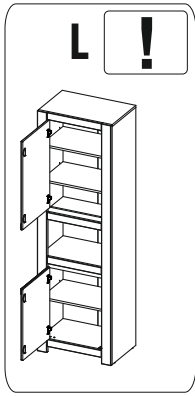
12 ▶



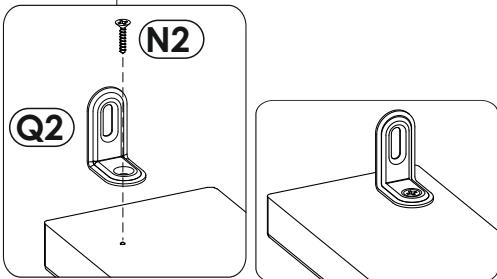
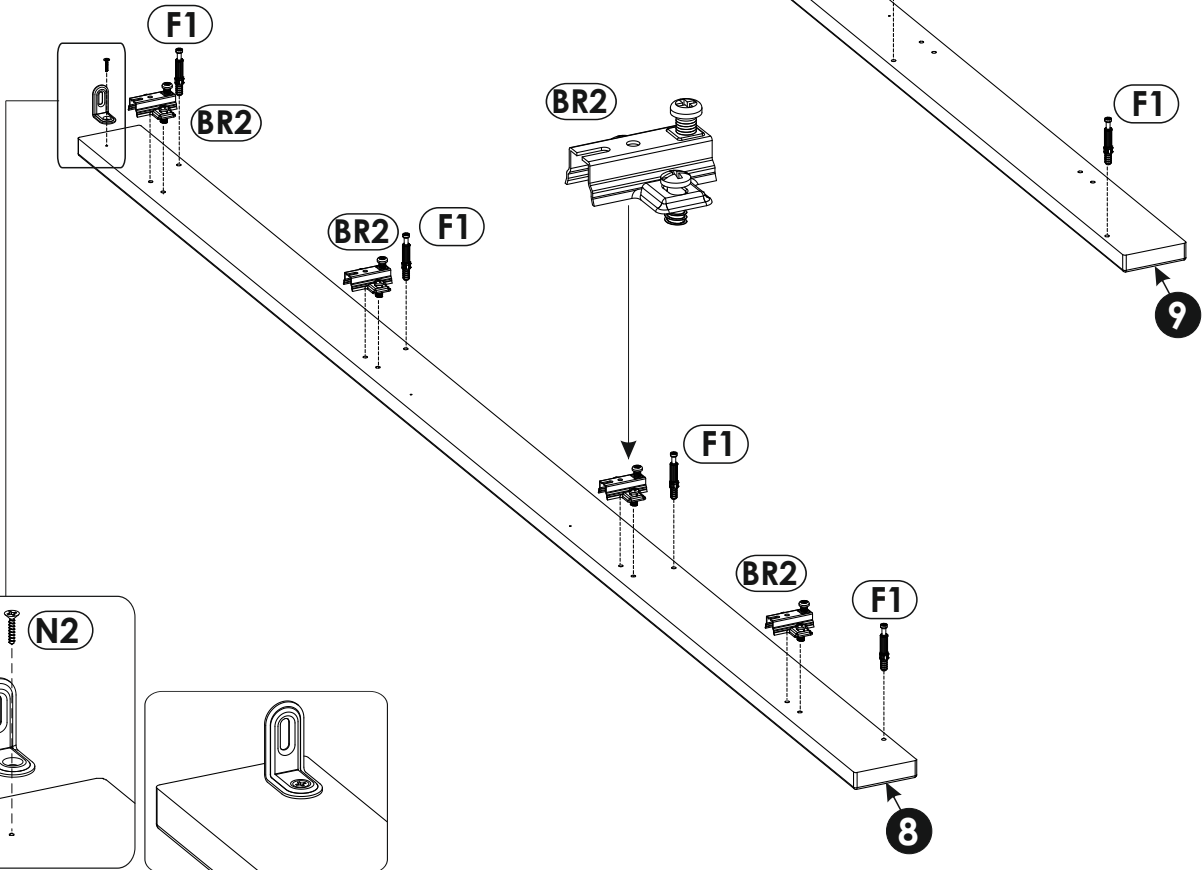
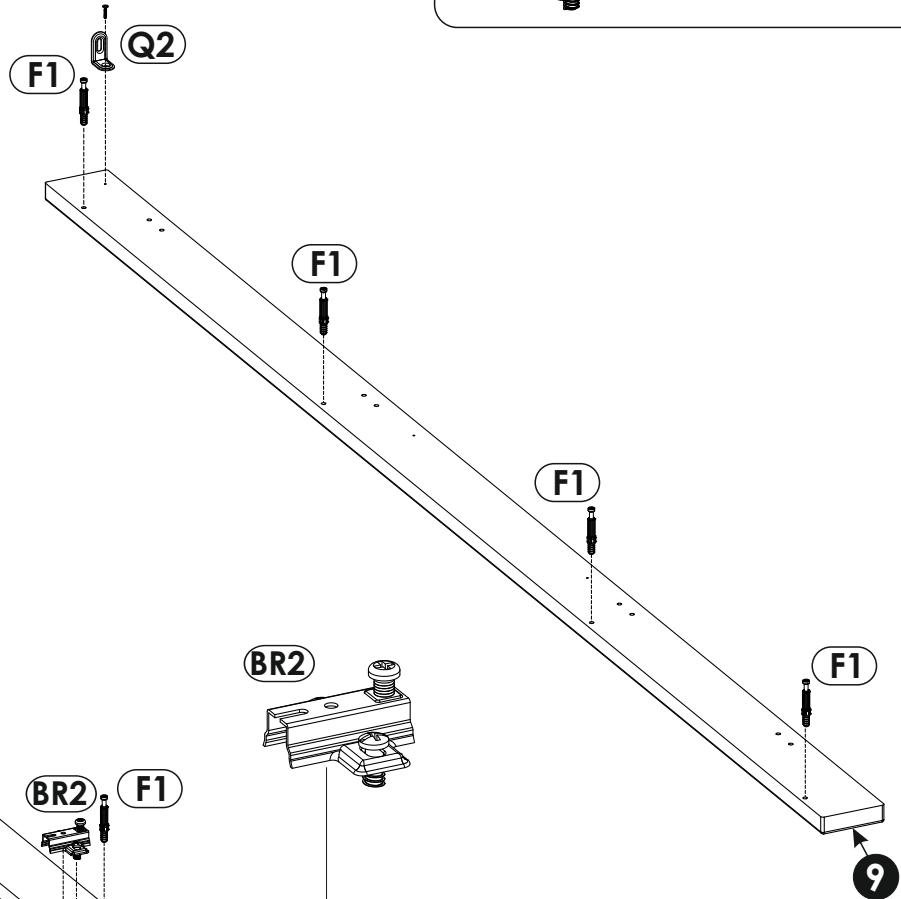
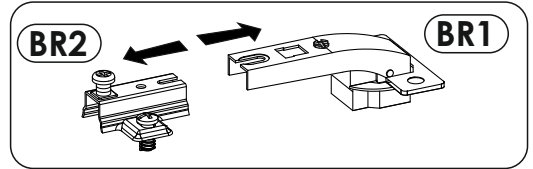
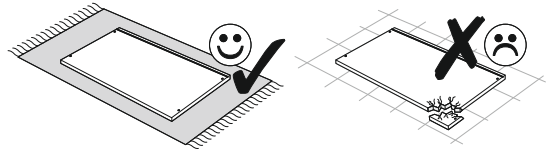
13▶



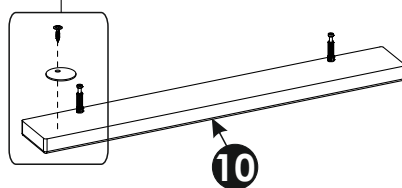
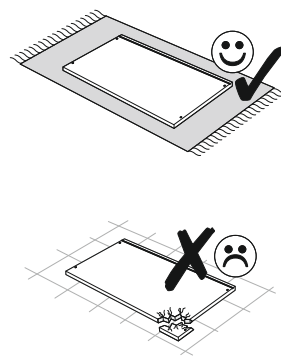
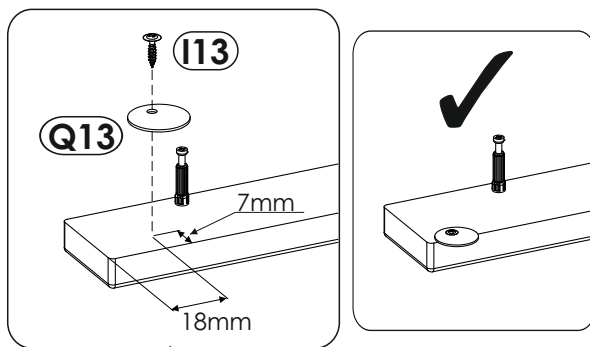
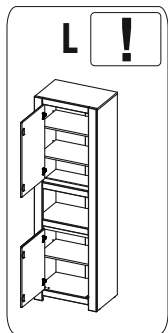
14▶



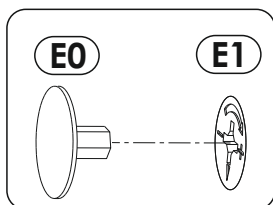
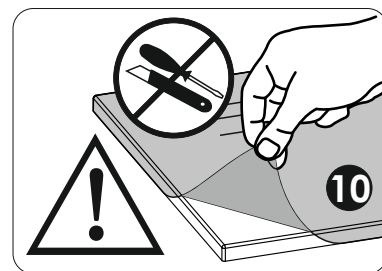
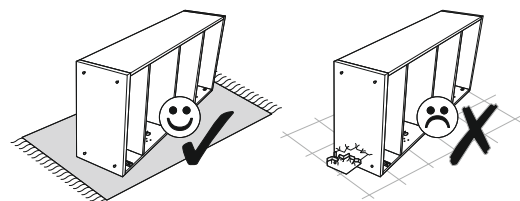
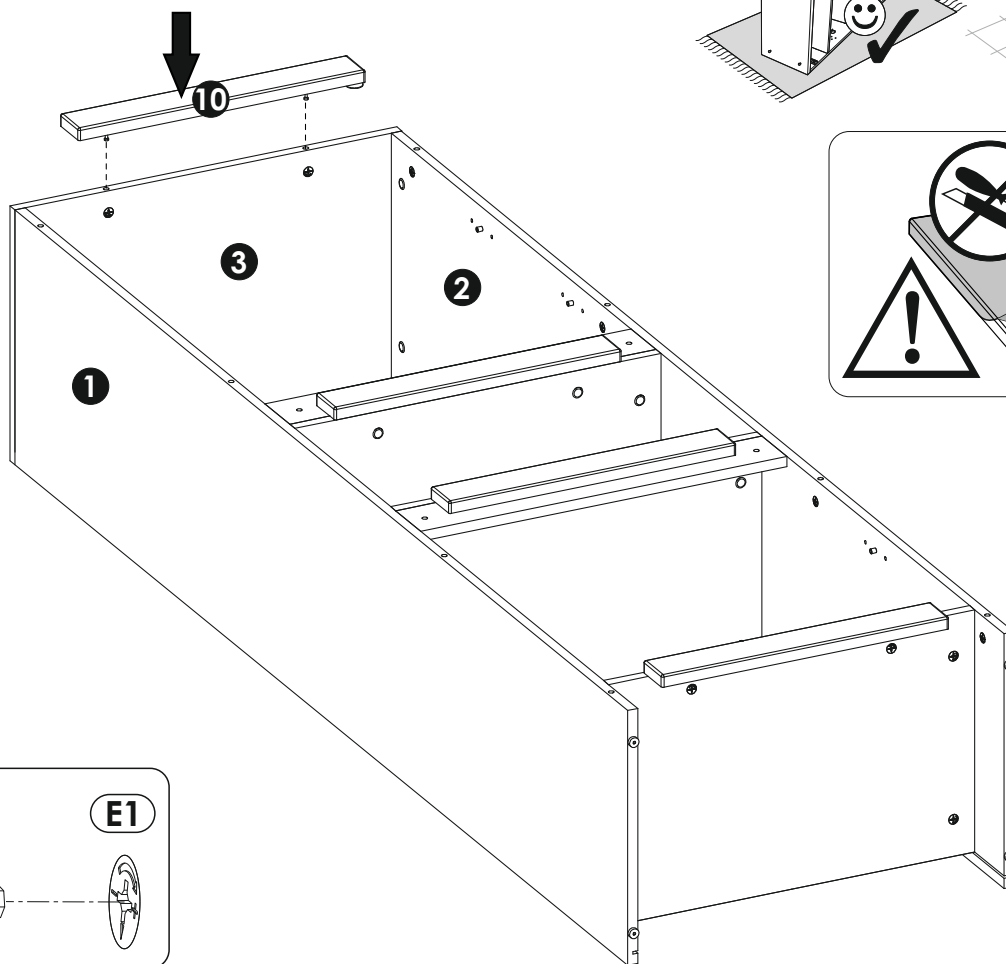
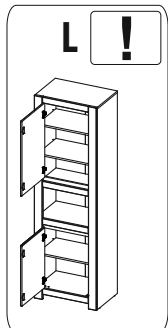
14-25



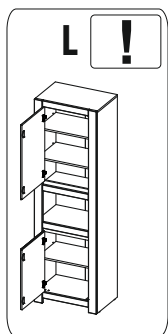
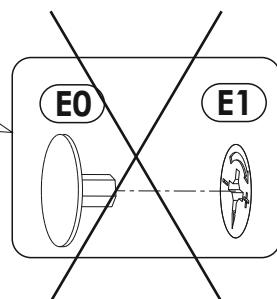
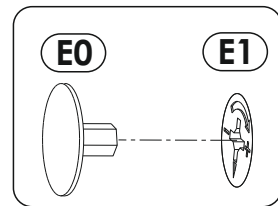
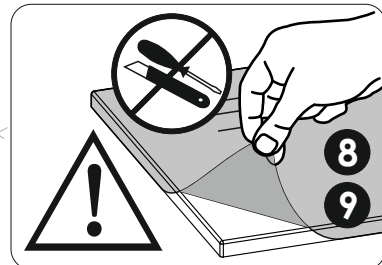
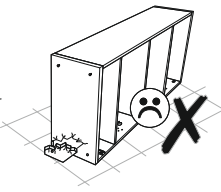
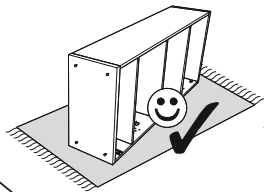
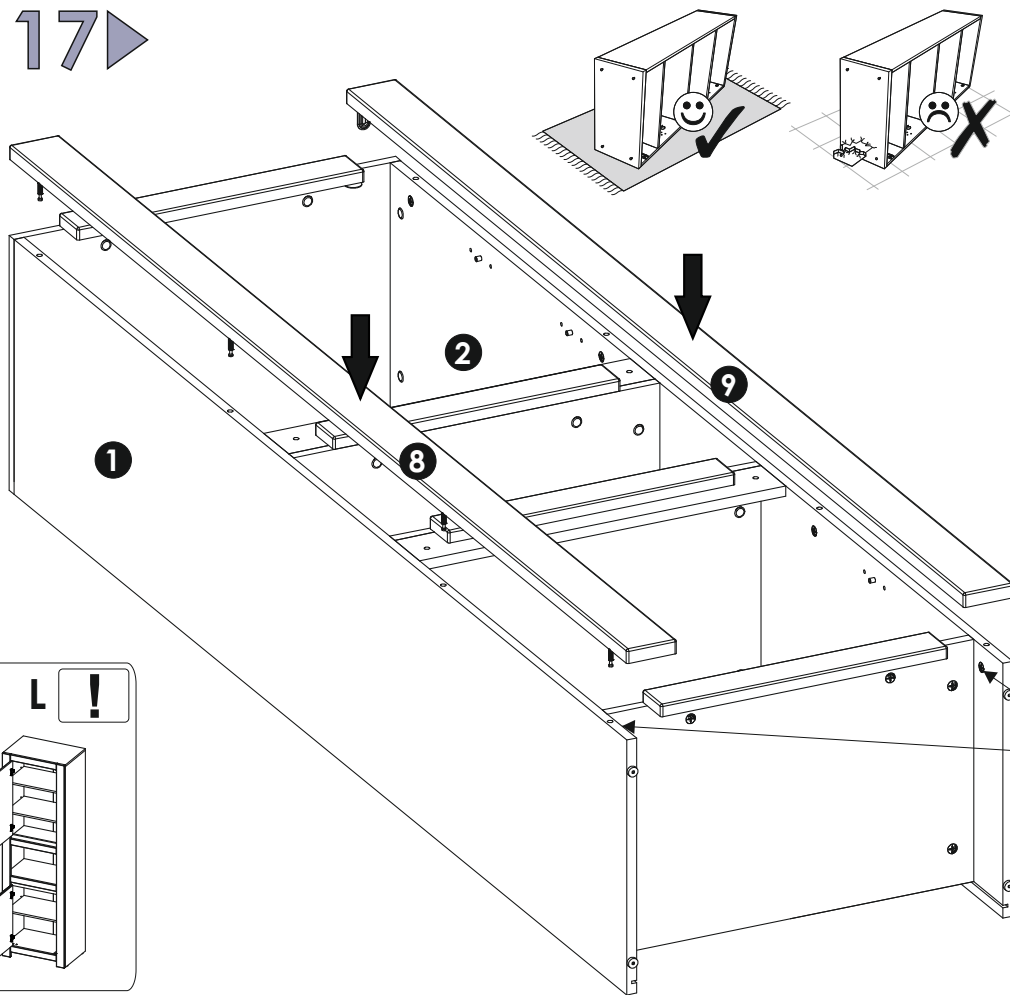
15 ▶



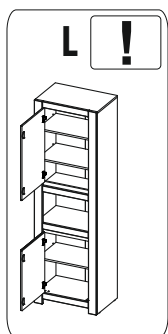
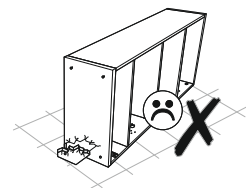
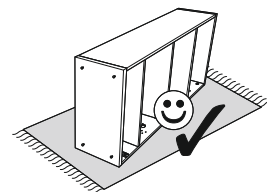
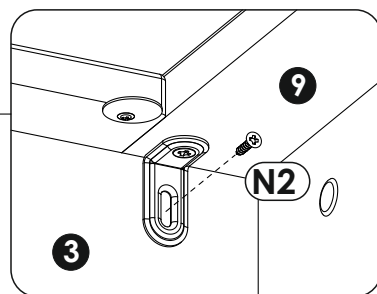
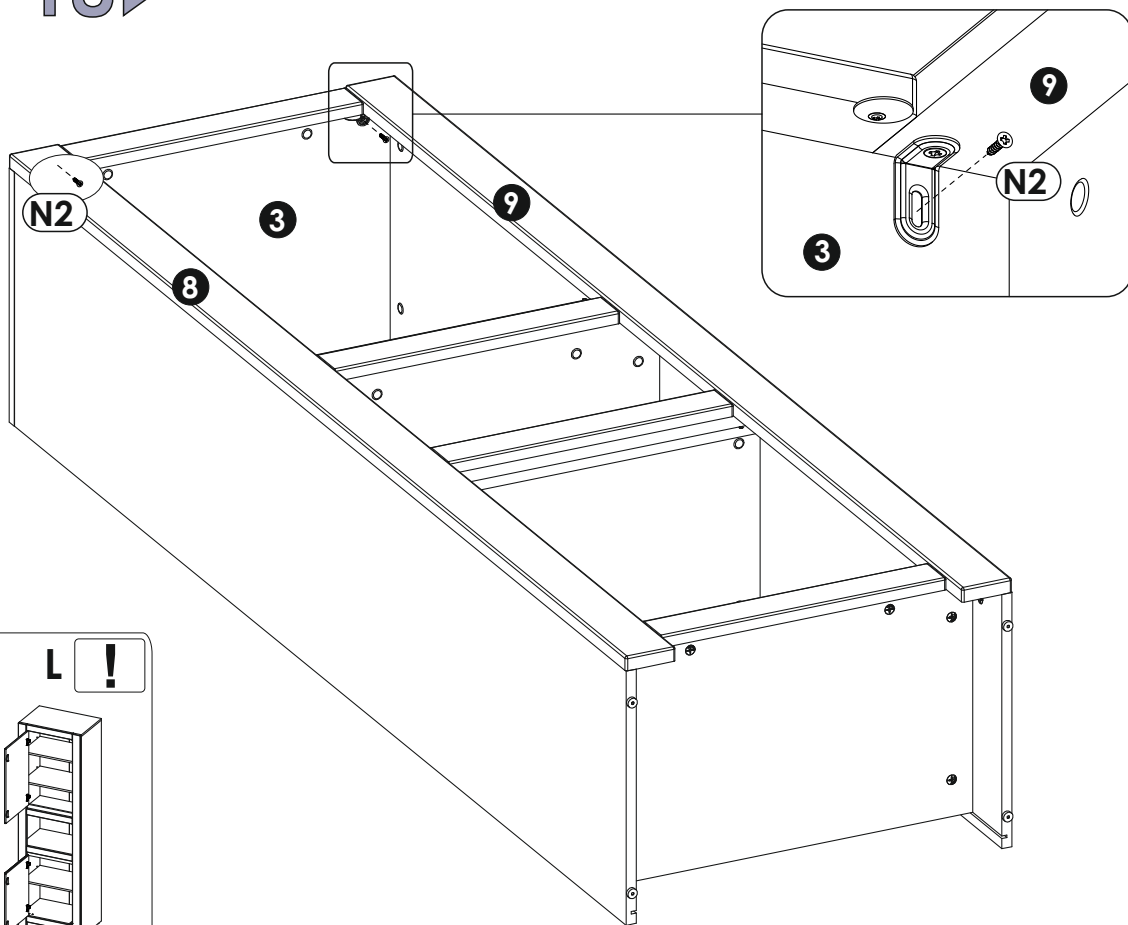
16 ▶



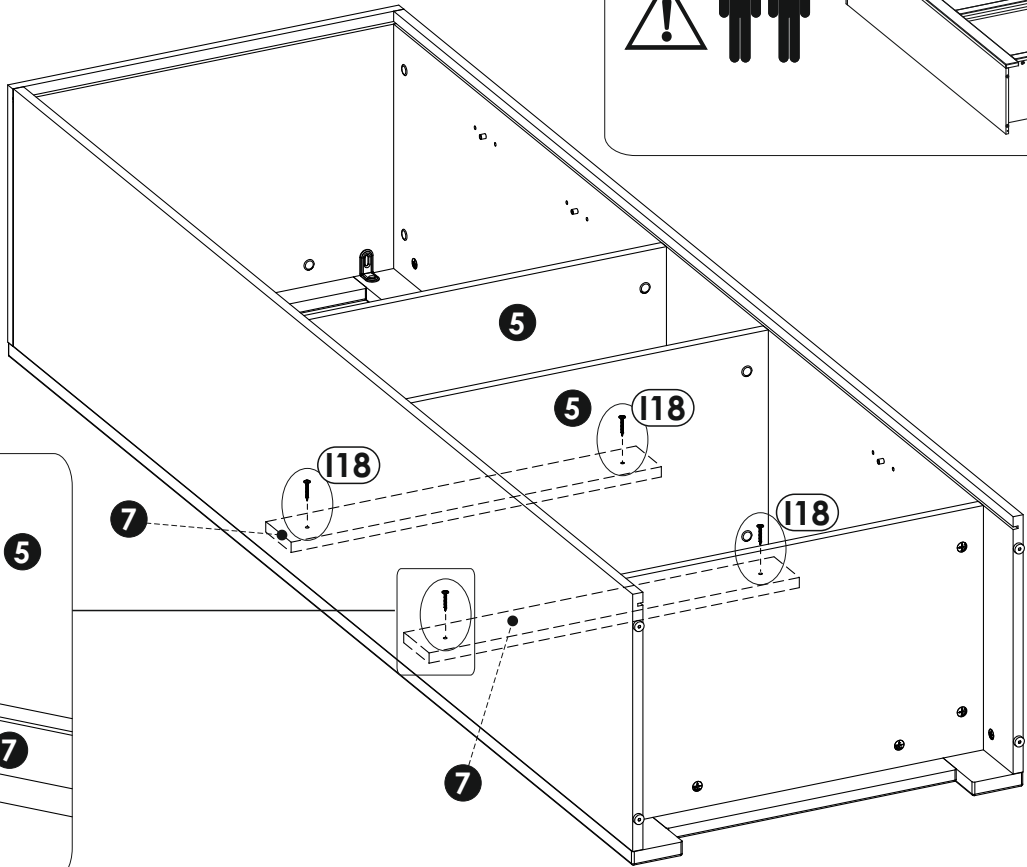
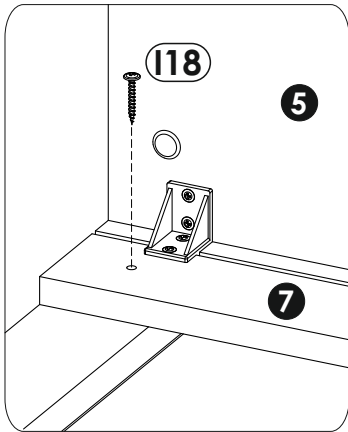
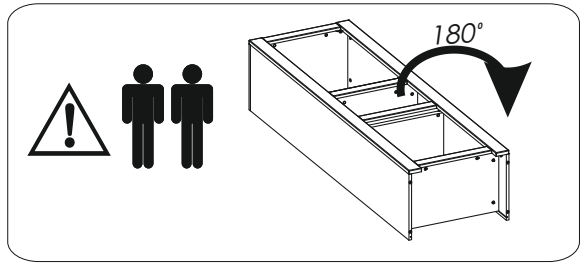
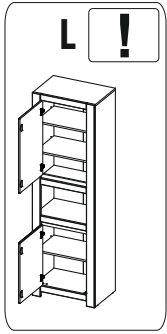
17 ▶



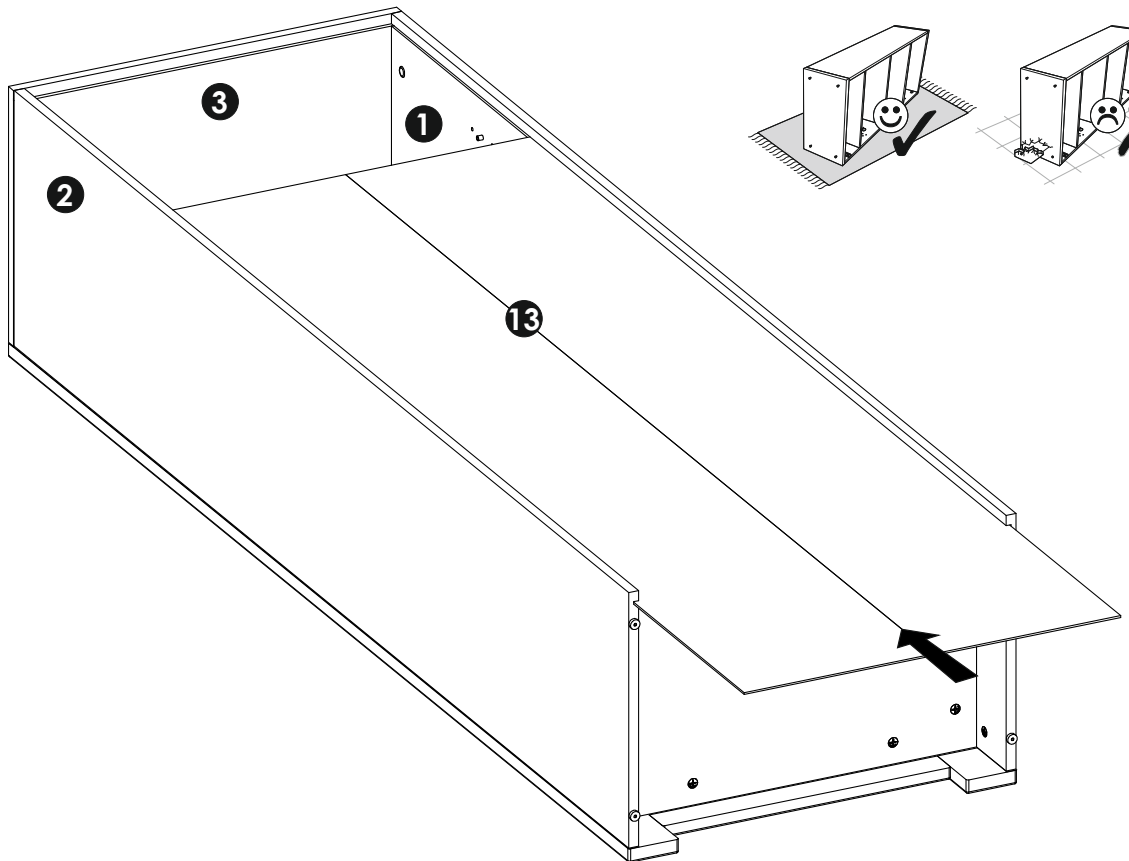
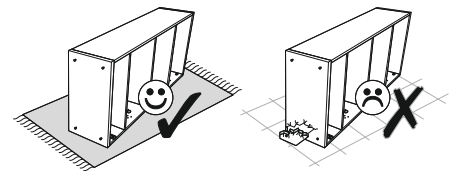
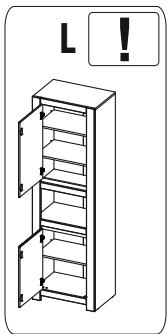
18 ▶



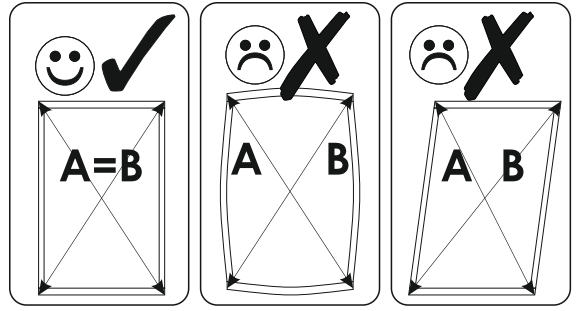
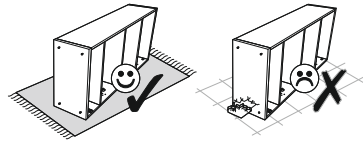
19 ▶



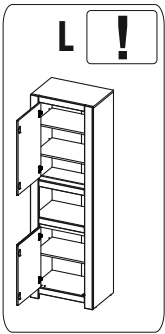
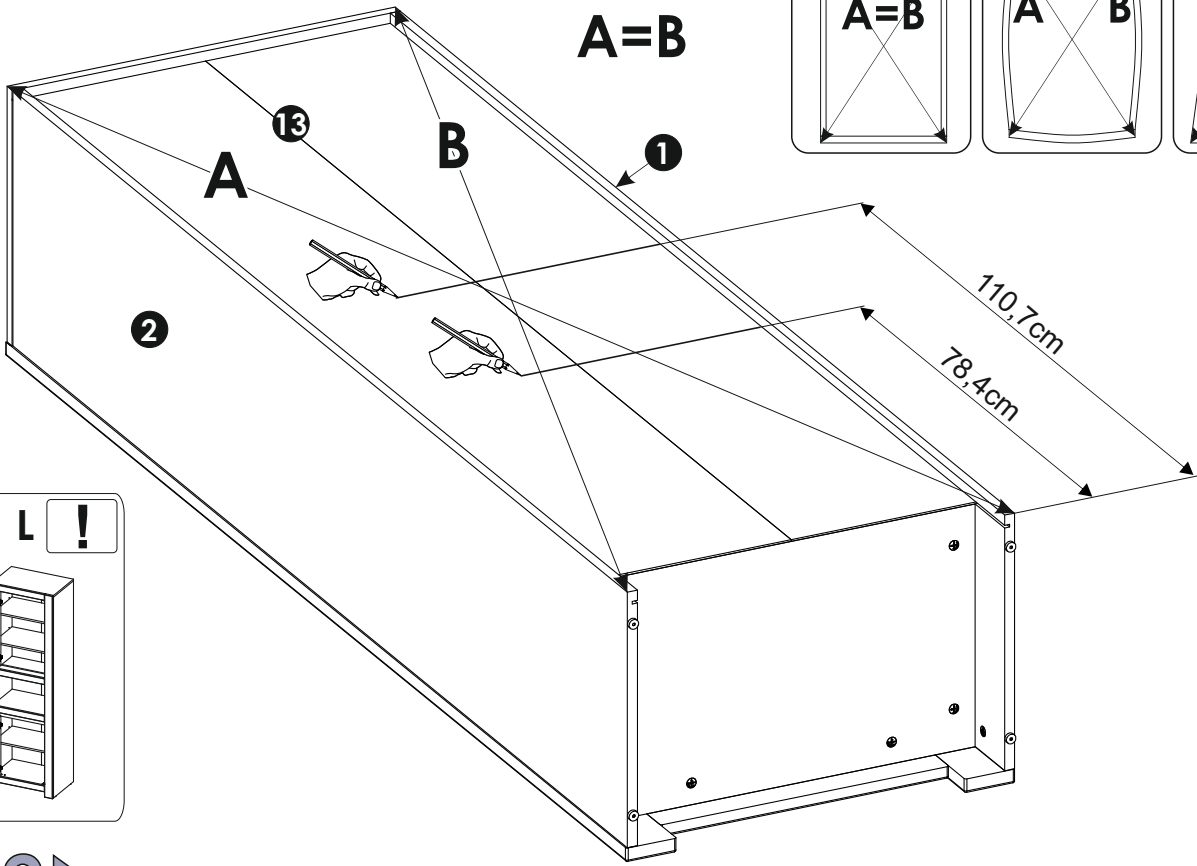
20 ▶



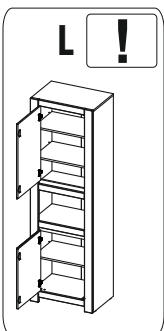
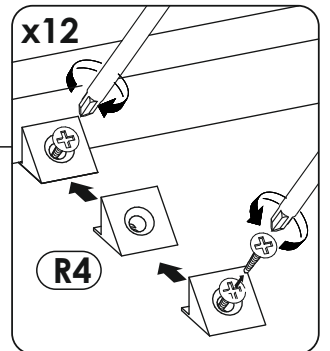
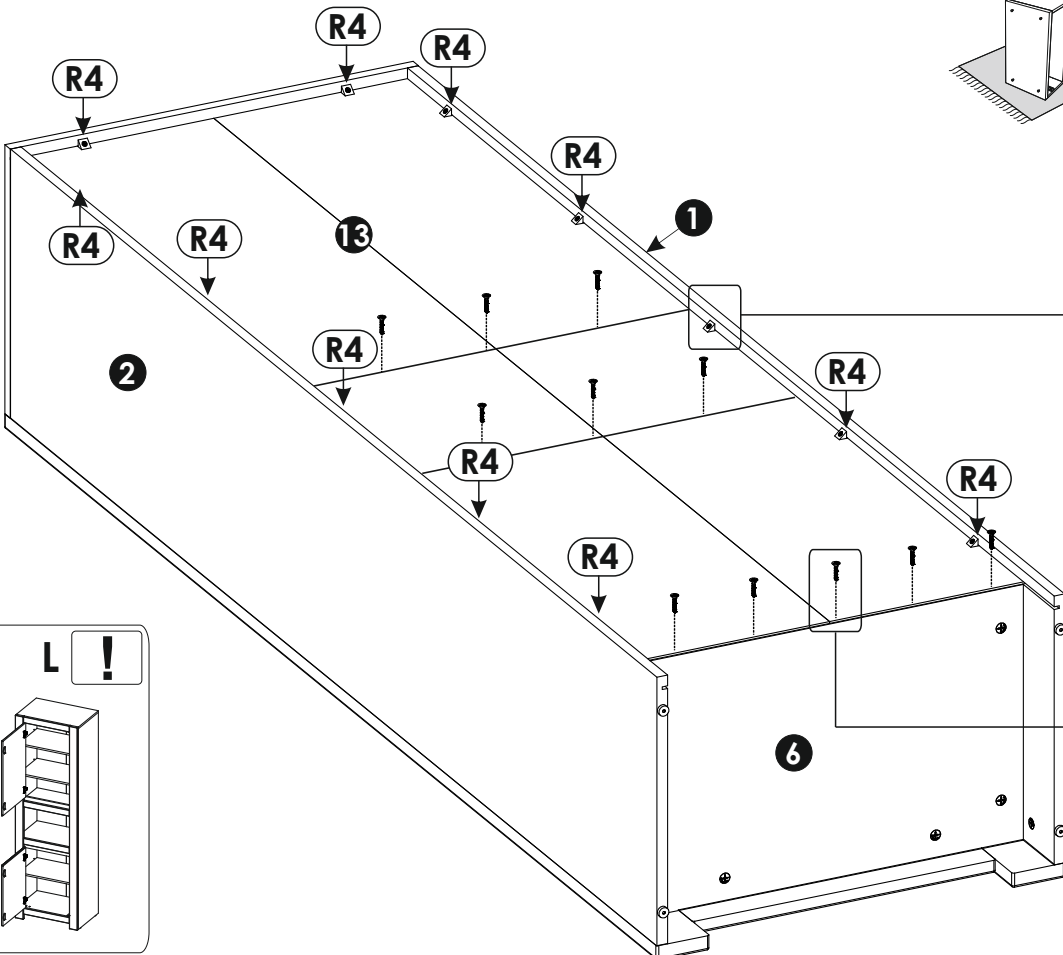
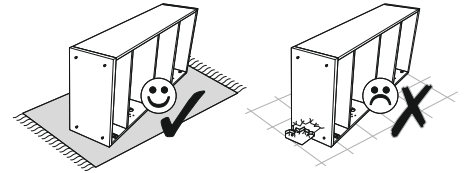
21 ▶



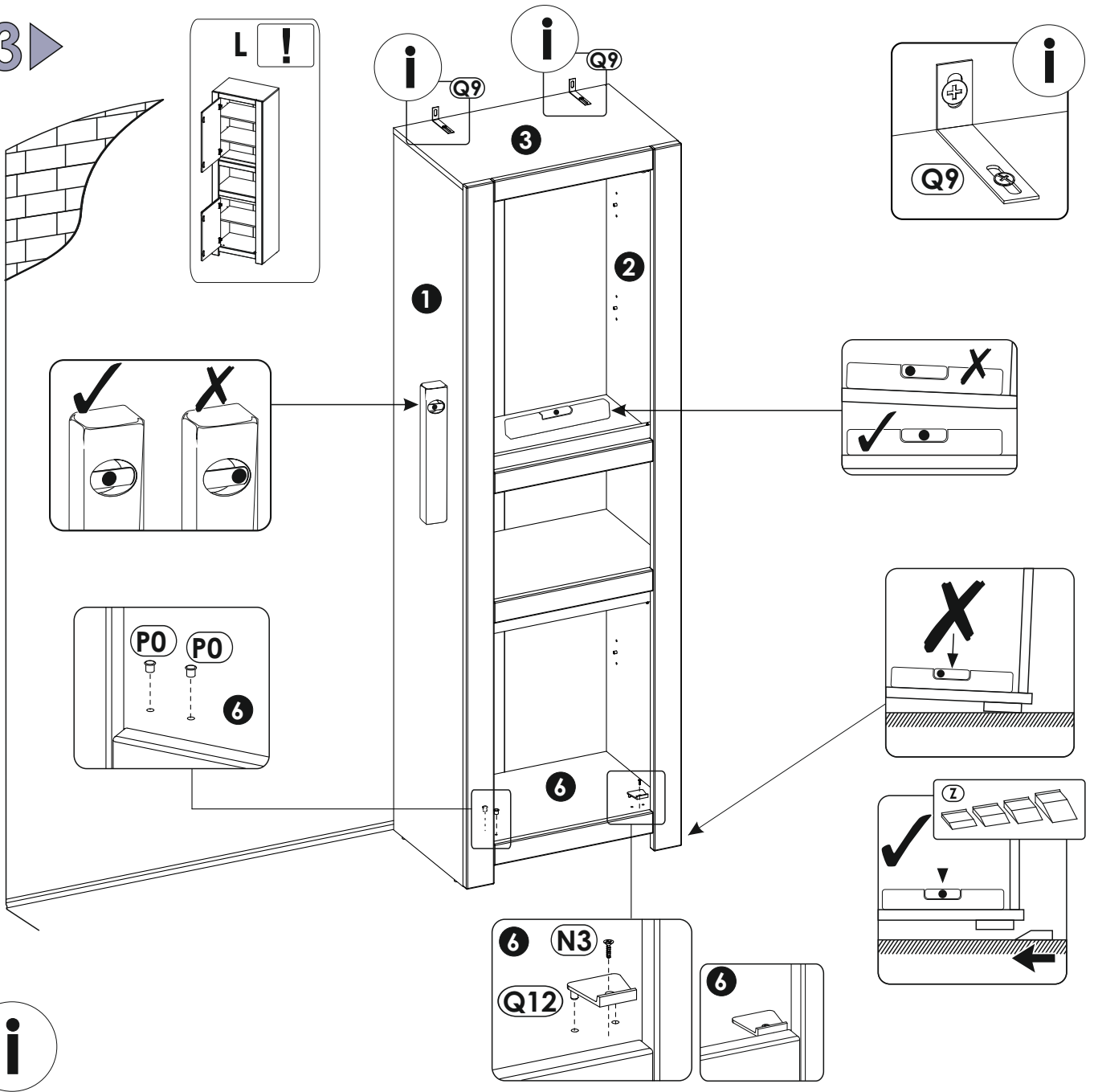
A=B



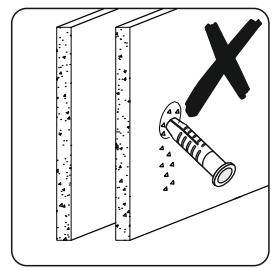
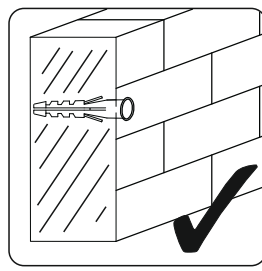
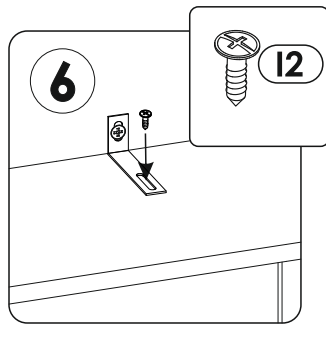
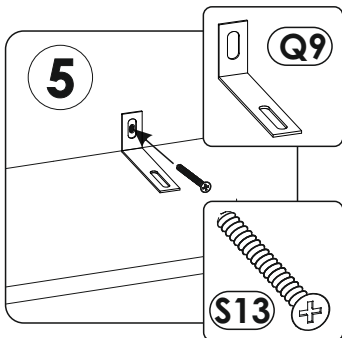
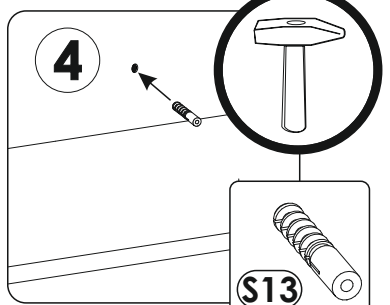
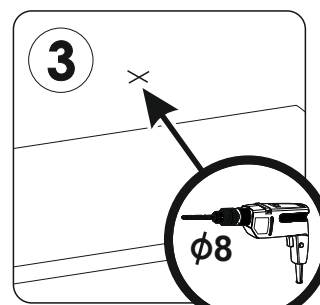
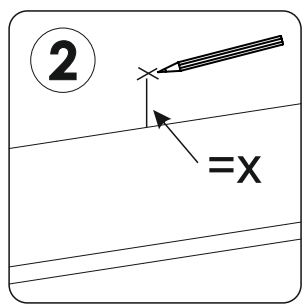
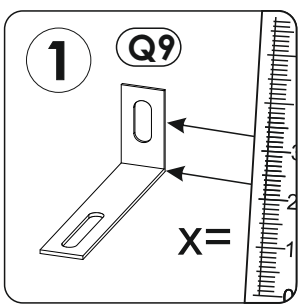
22 ▶



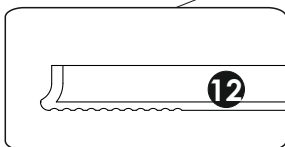
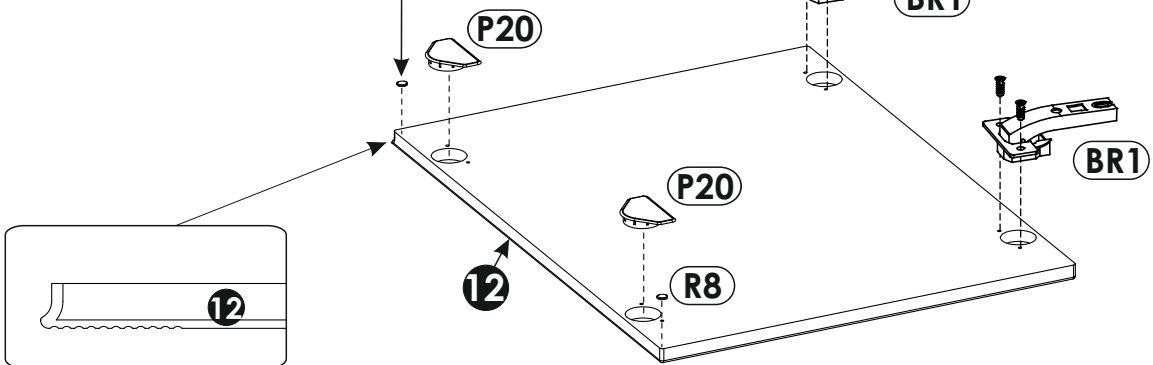
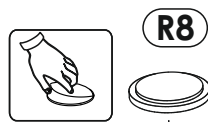
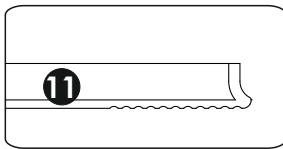
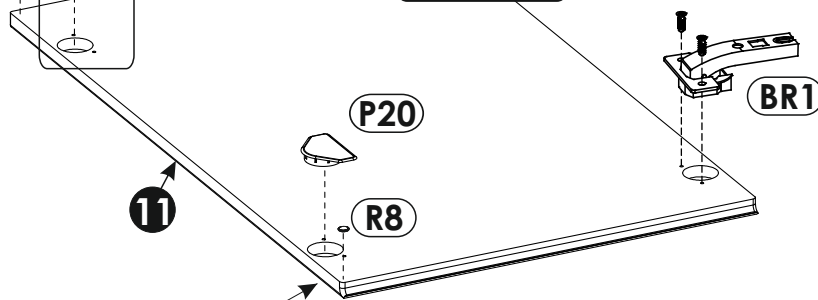
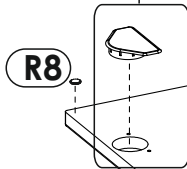
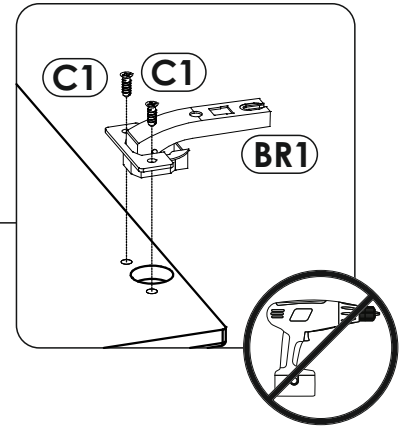
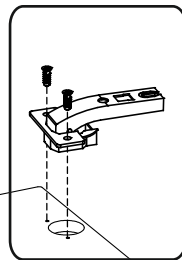
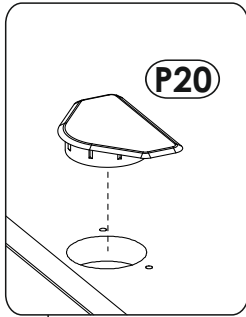
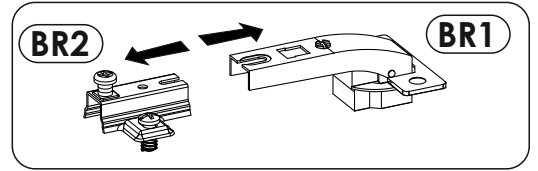
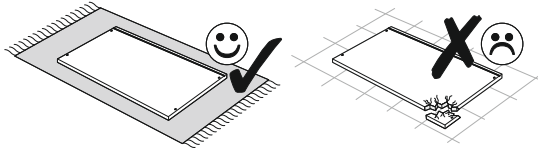
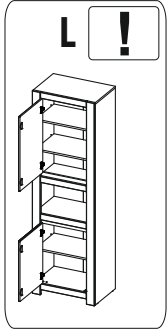
23 ▶



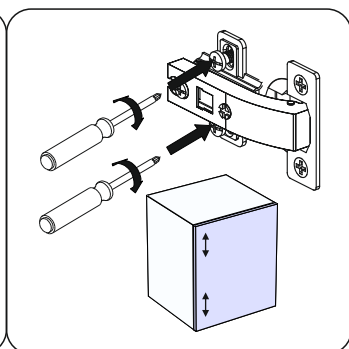
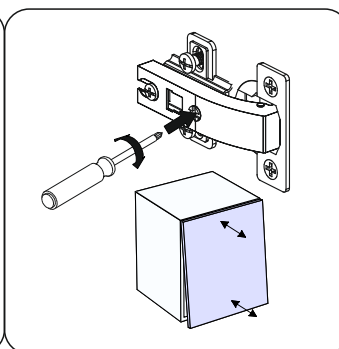
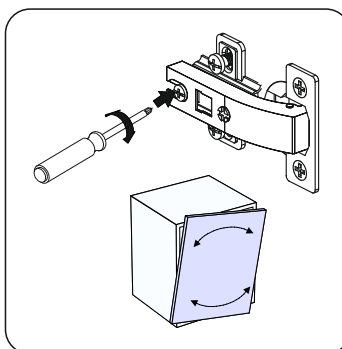
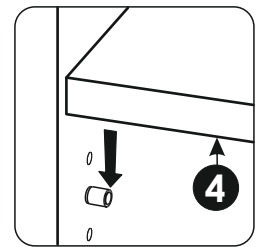
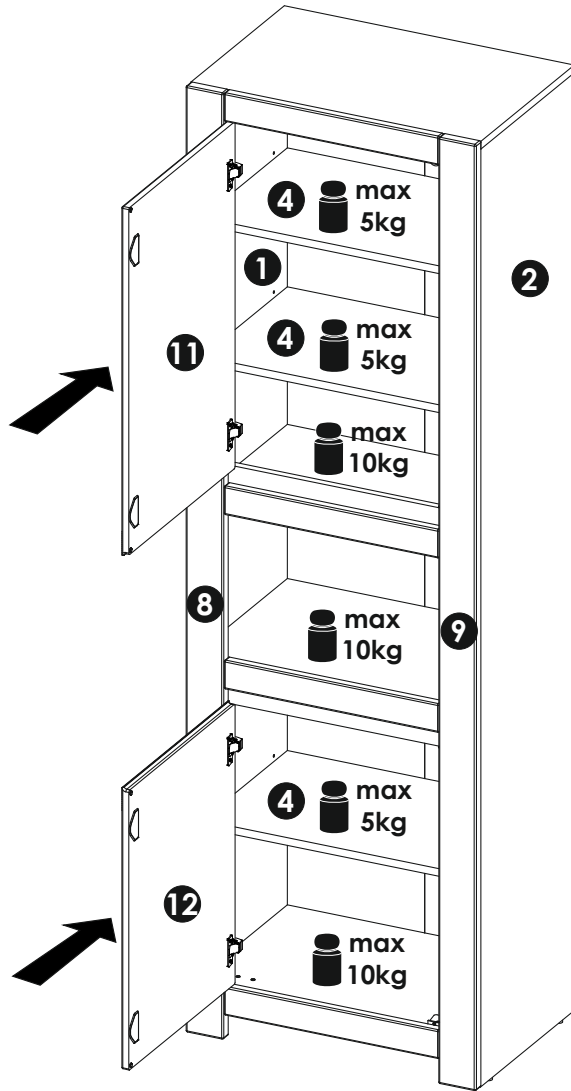
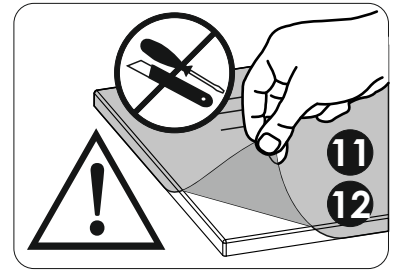
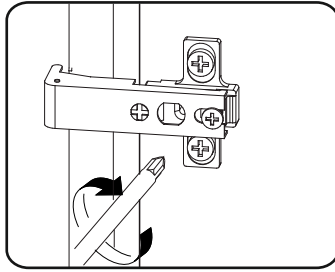
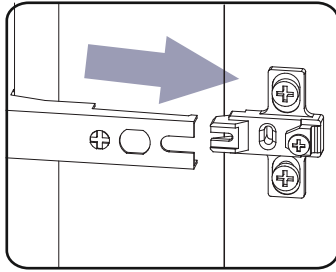
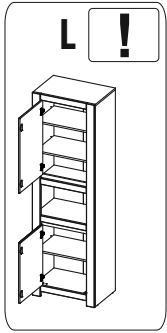
i



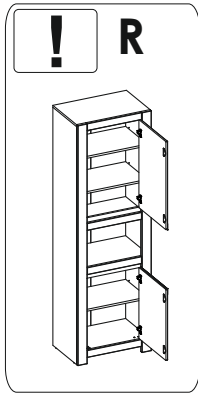
24 ▶



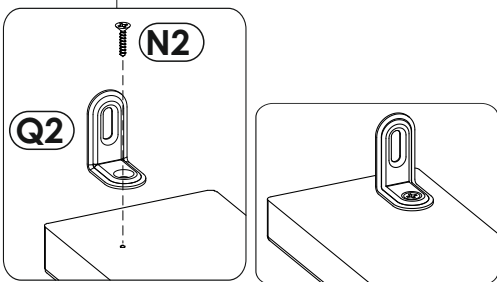
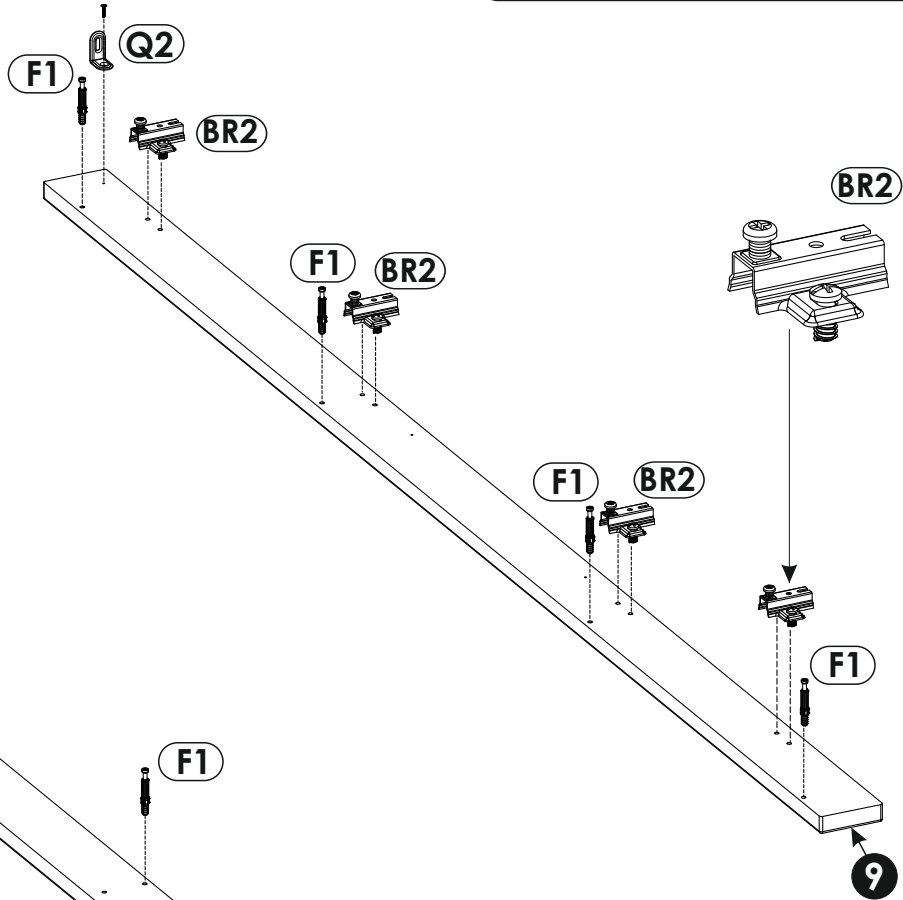
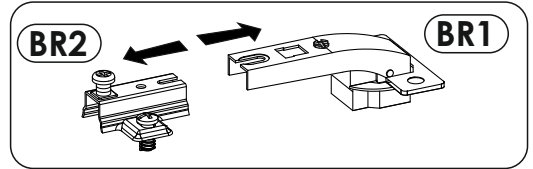
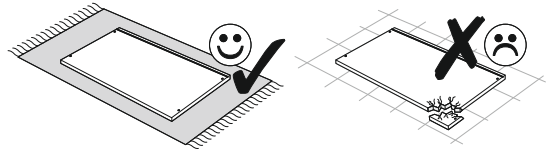
25 ▶



26 ▶



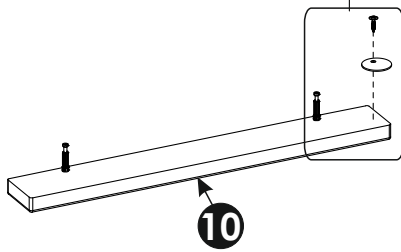
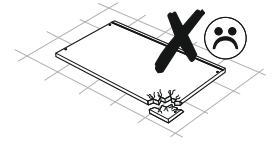
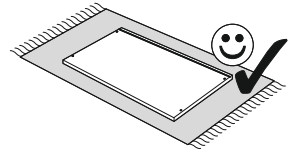
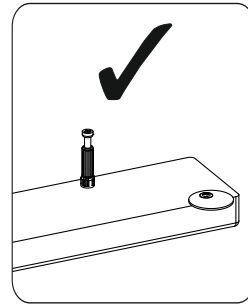
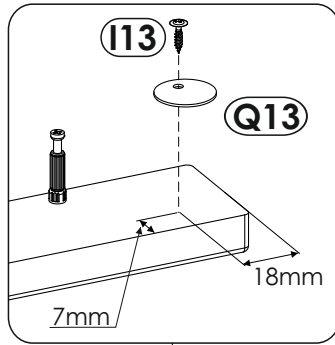
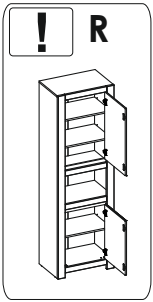
26-37



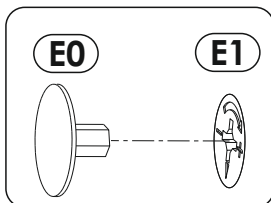
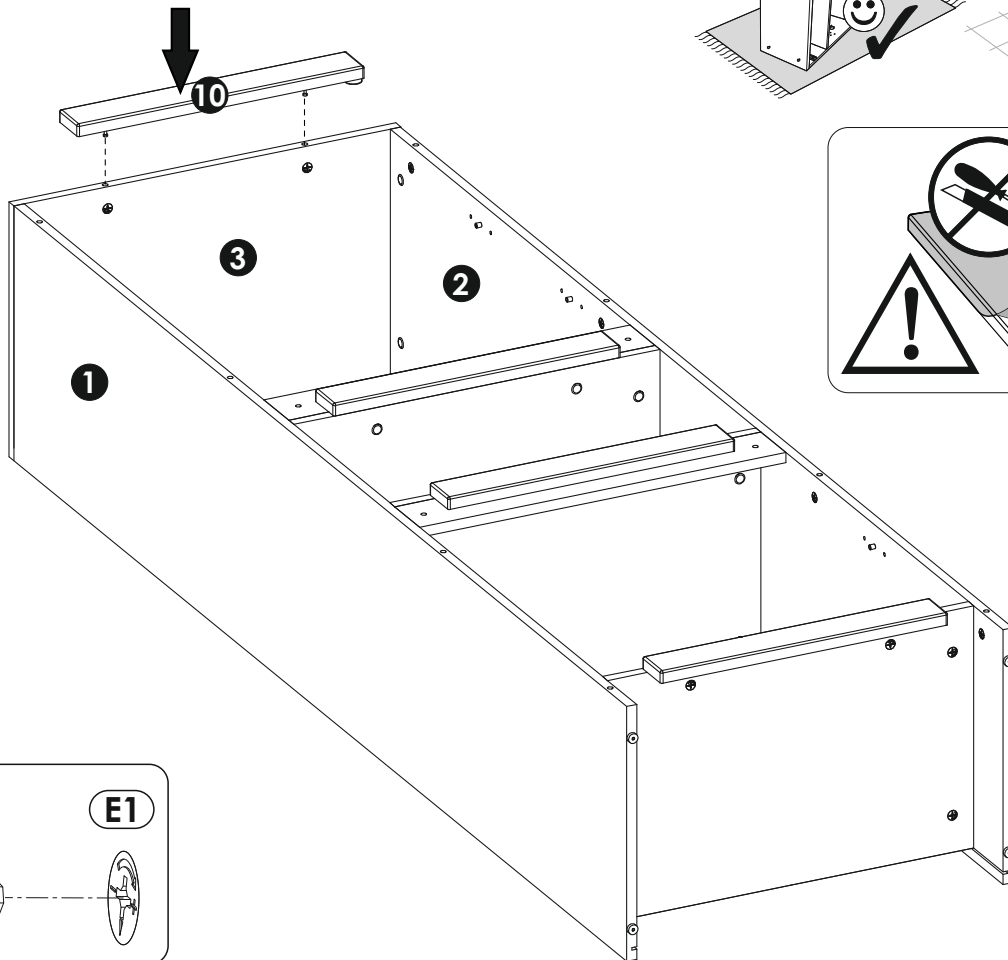
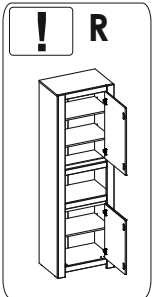
9

8

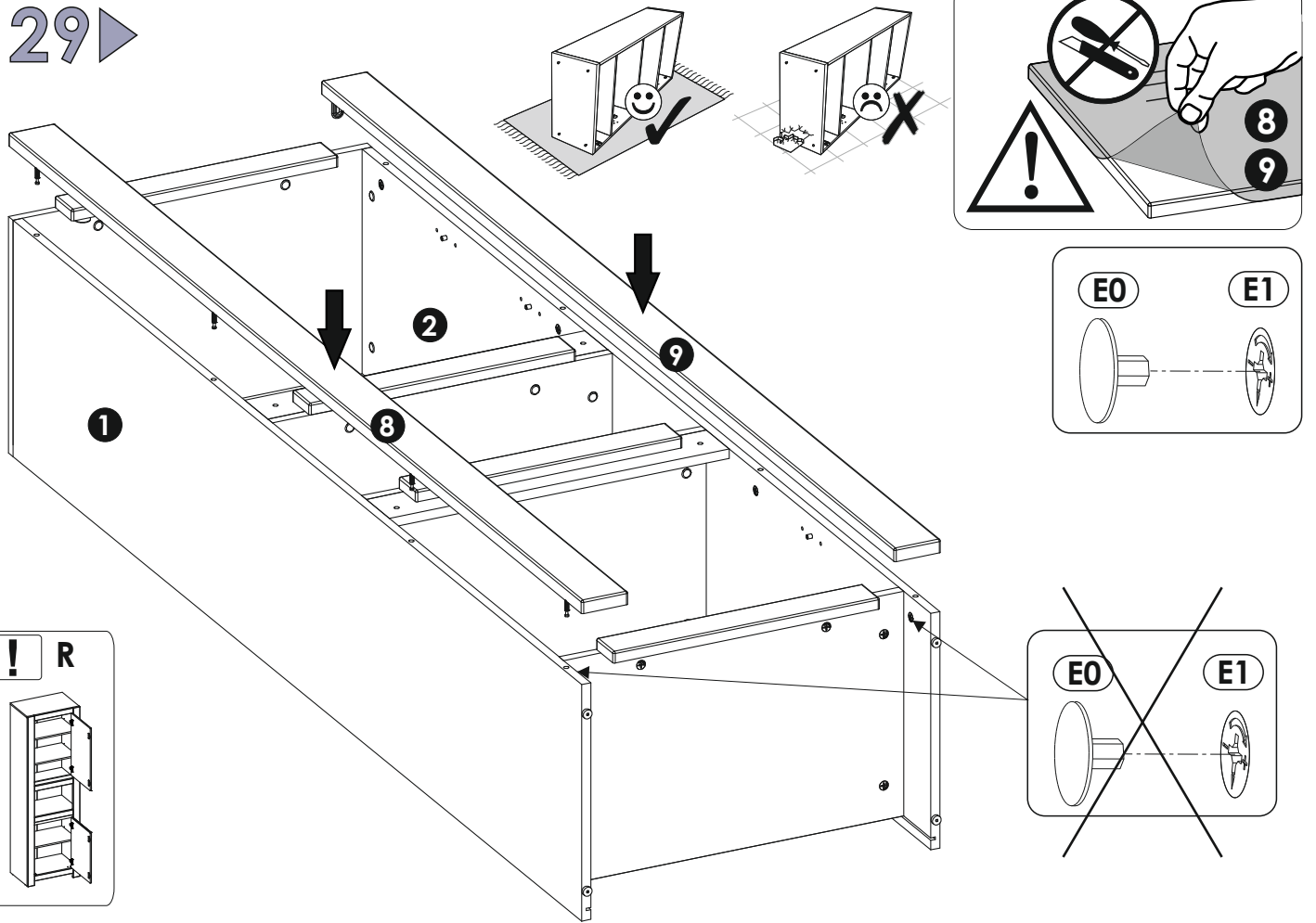
27 ▶



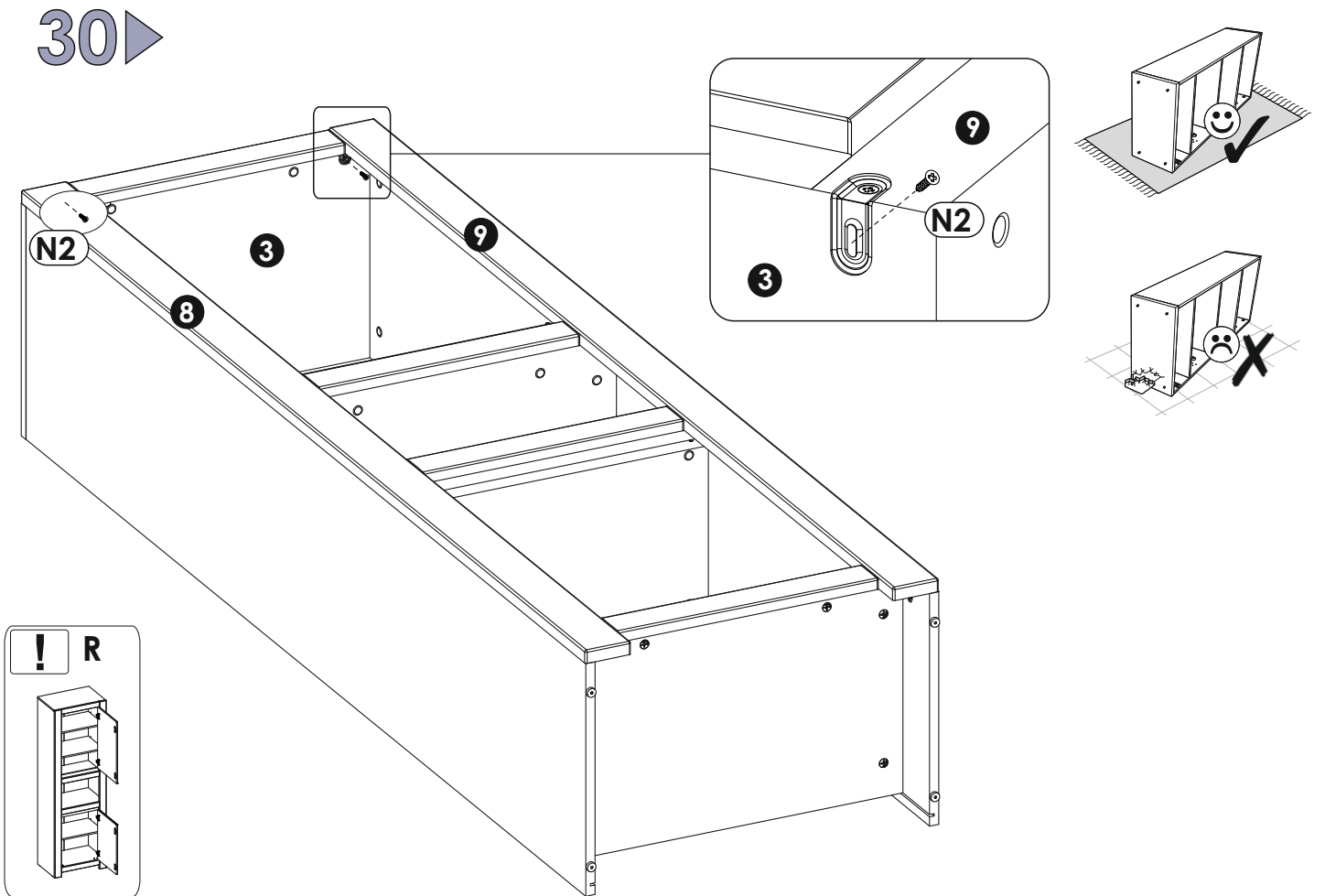
28 ▶



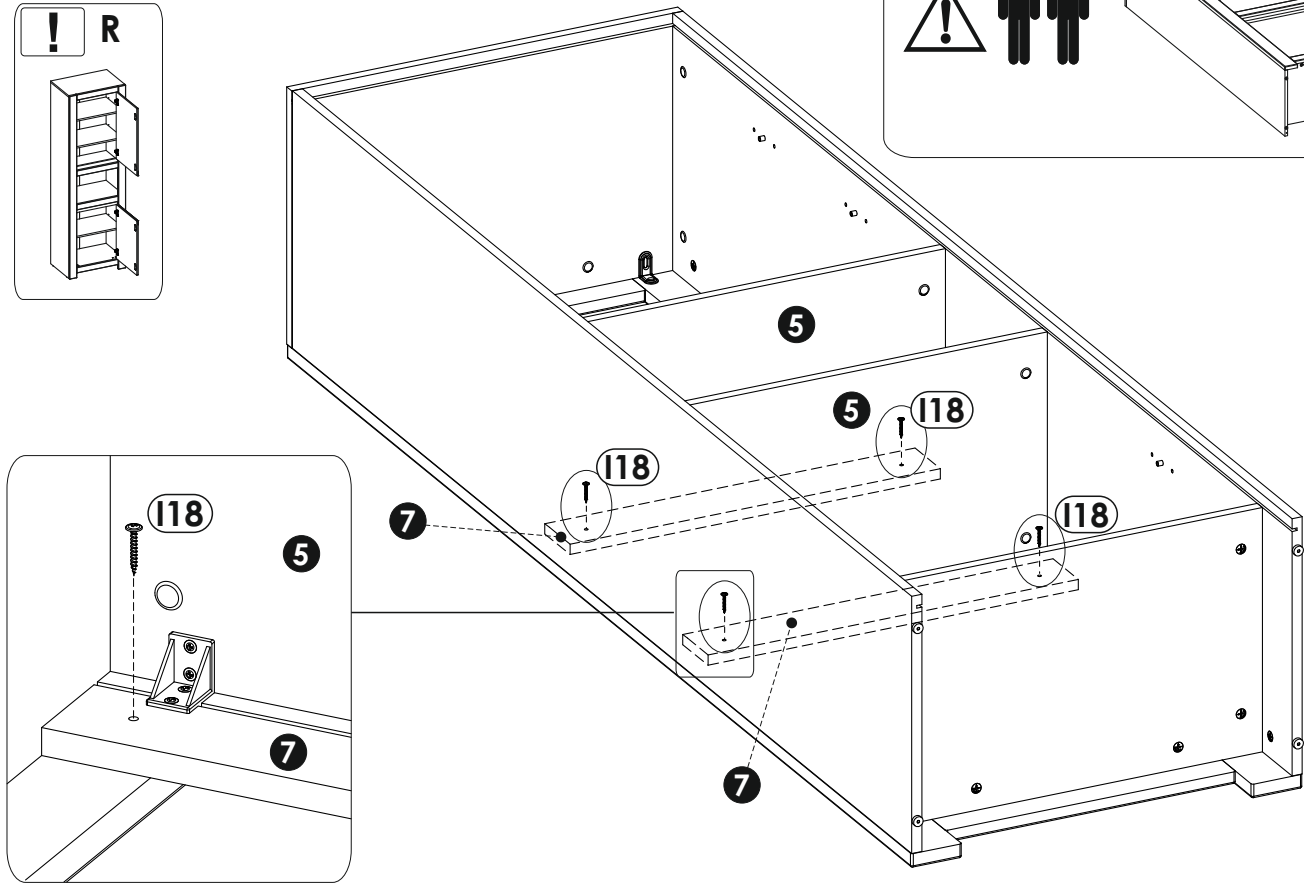
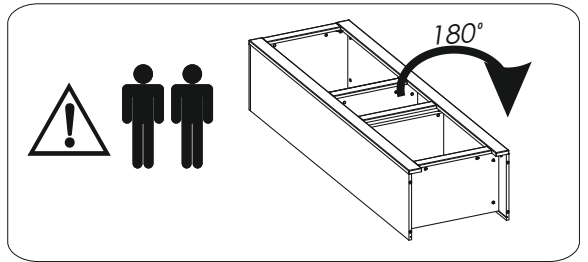
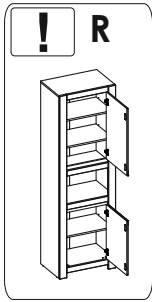
29 ▶



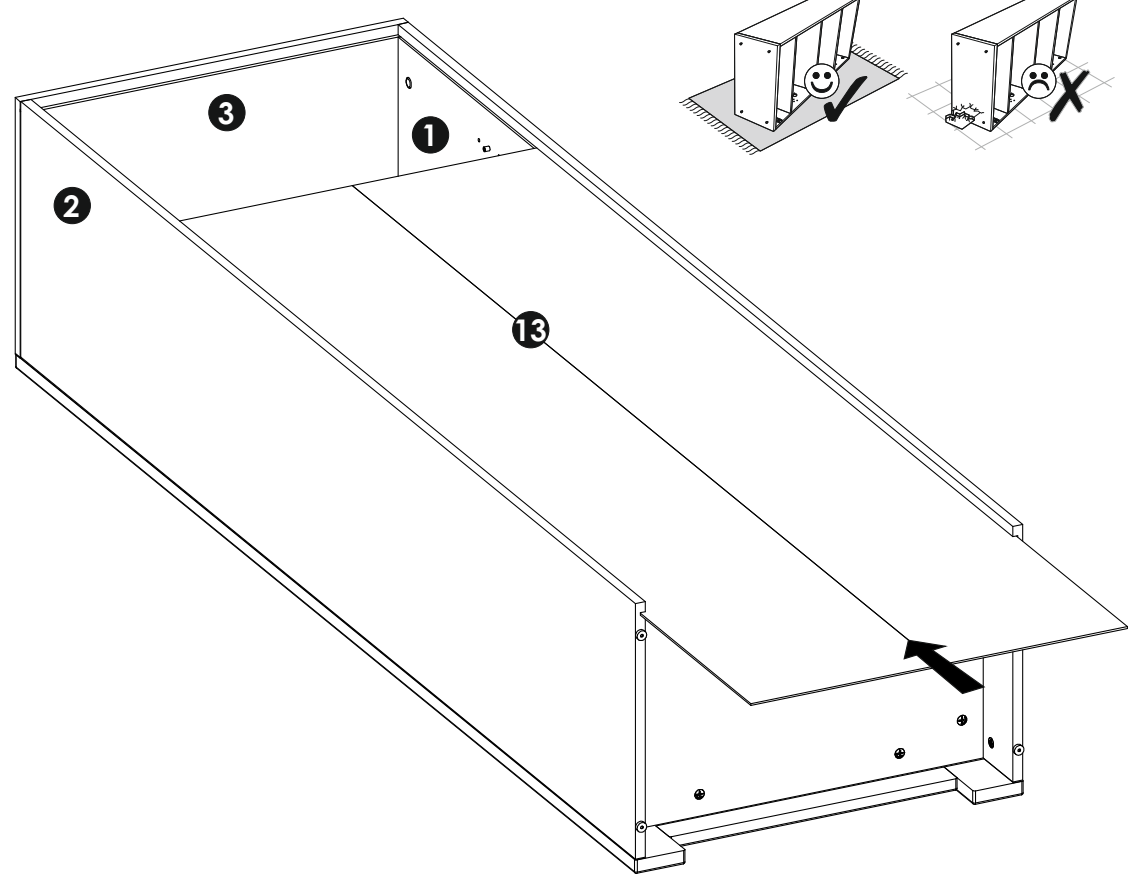
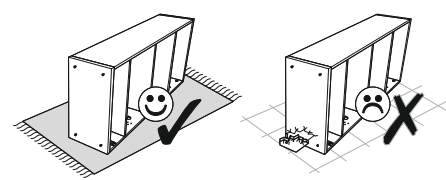
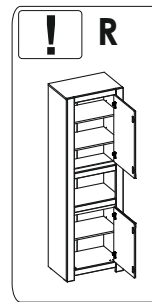
30 ▶



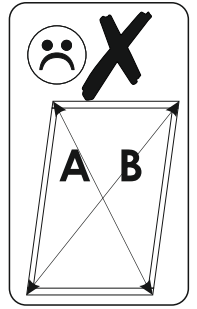
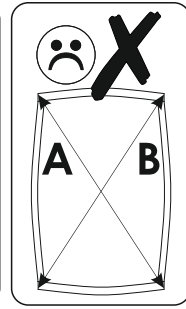
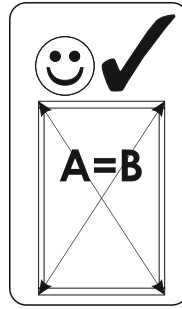
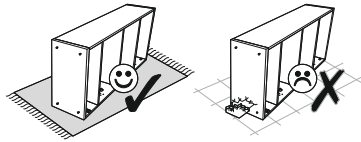
31 ▶



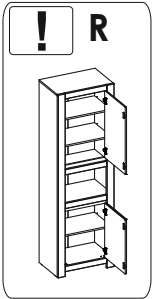
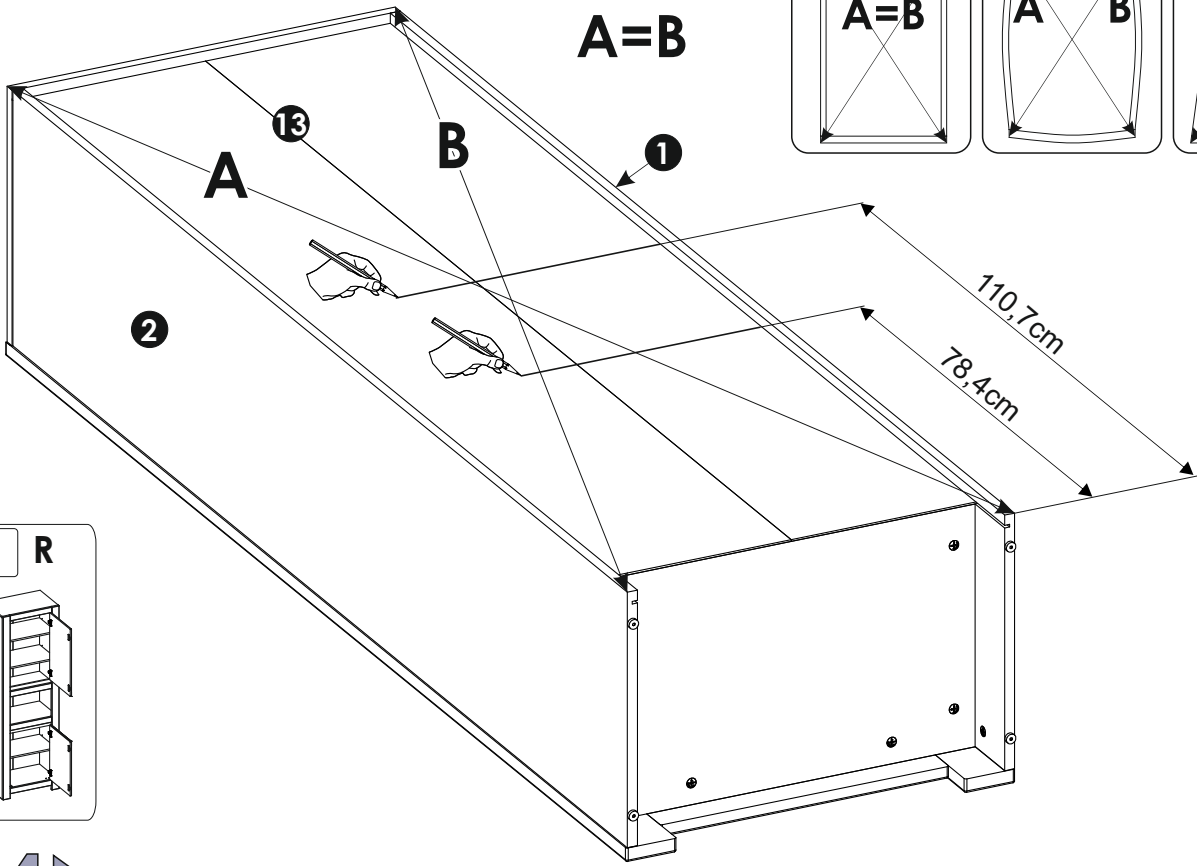
32 ▶



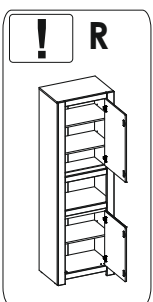
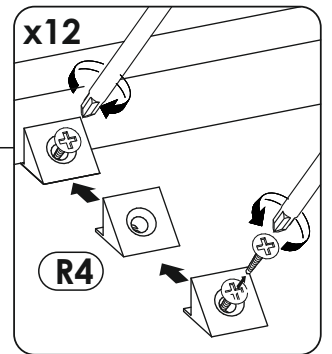
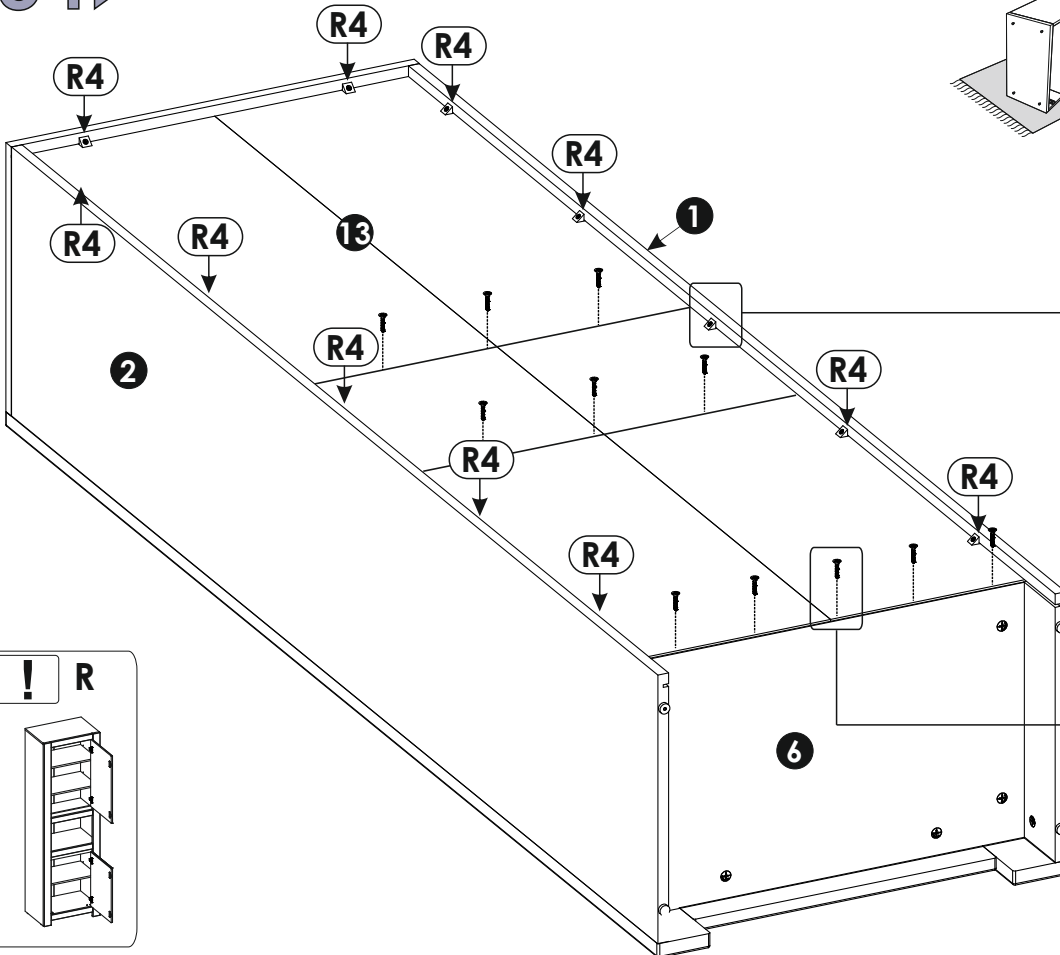
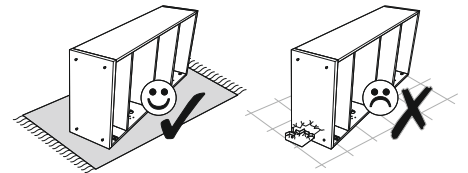
33 ▶

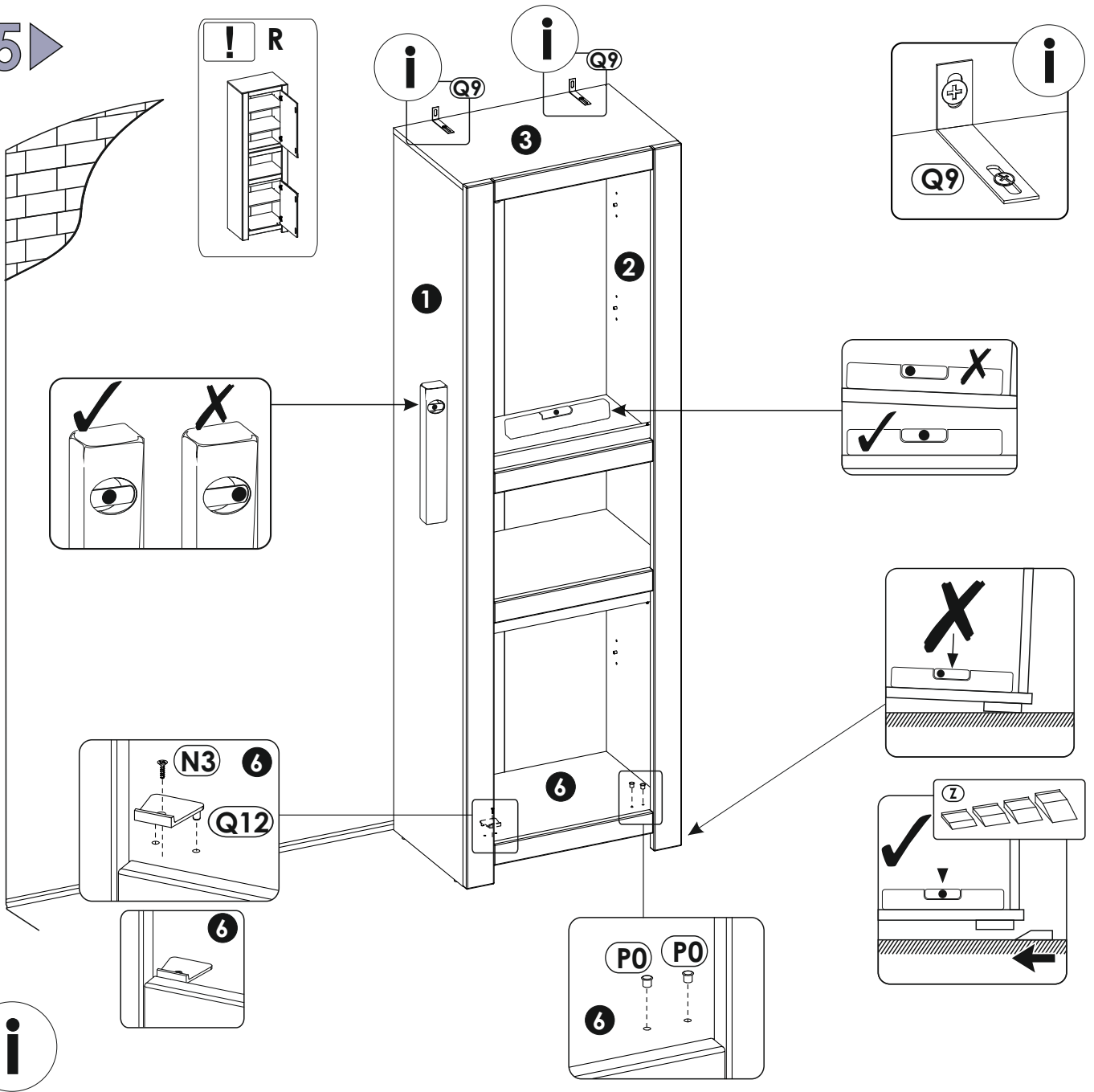


A=B

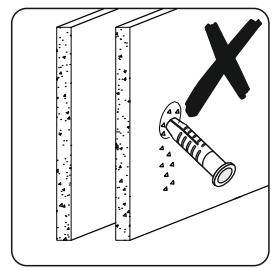
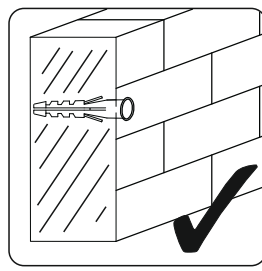
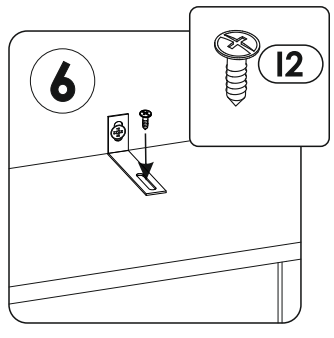
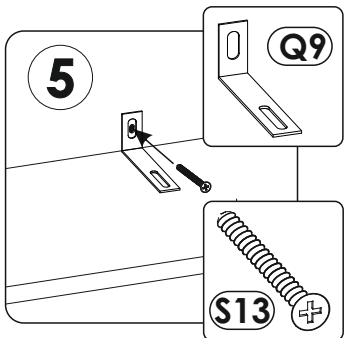
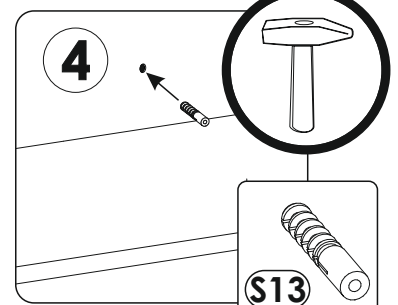
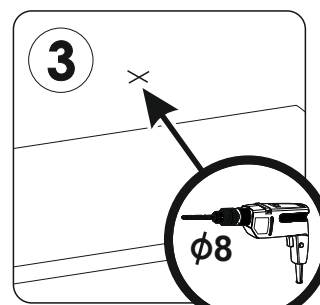
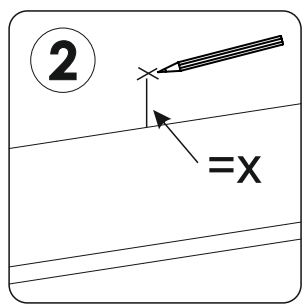
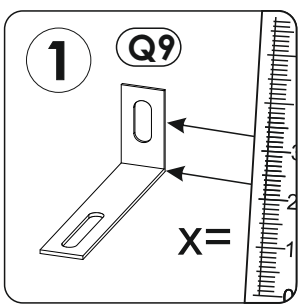


34 ▶

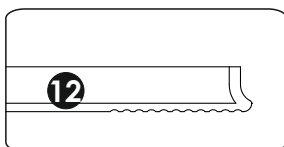
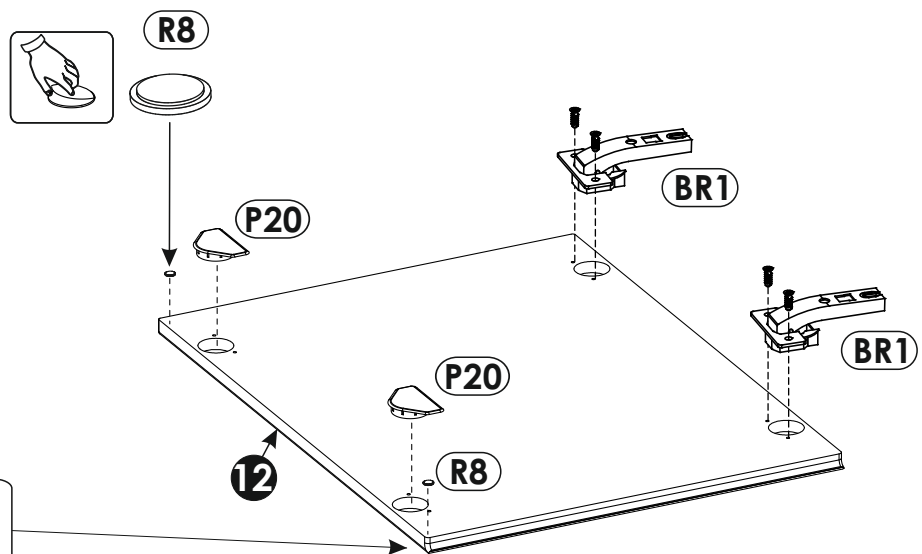
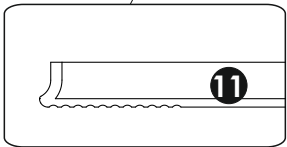
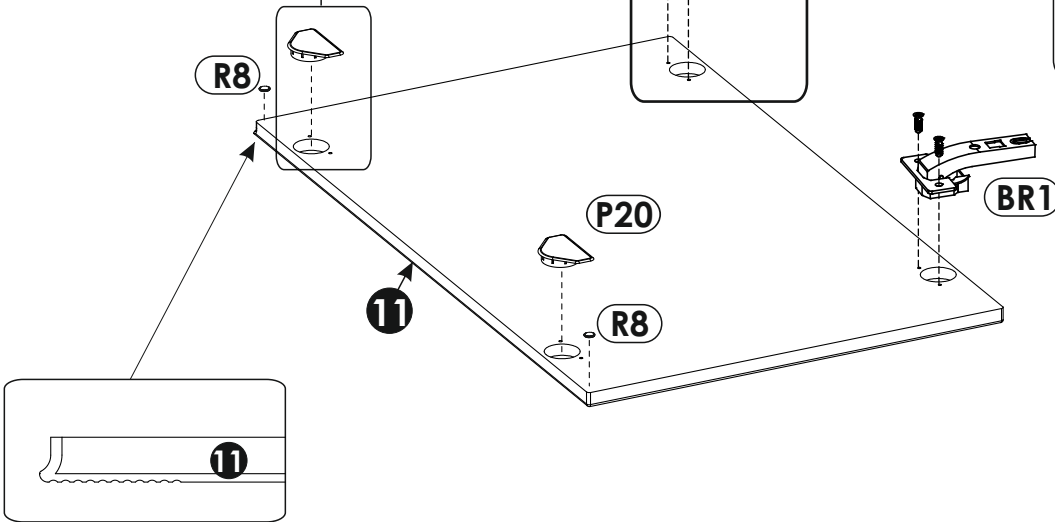
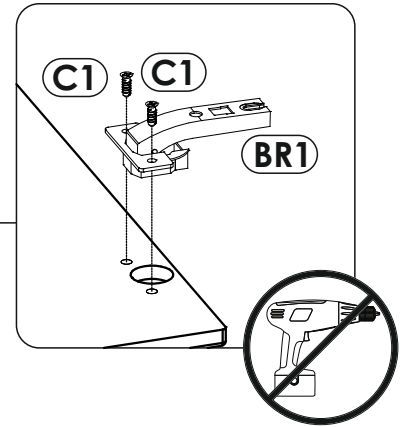
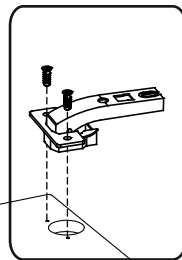
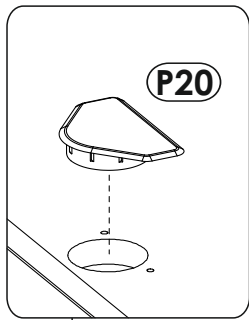
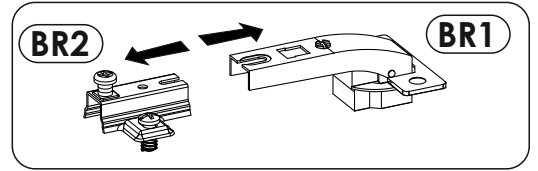
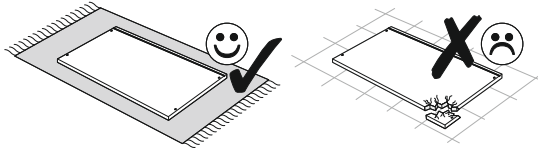
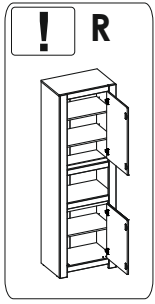




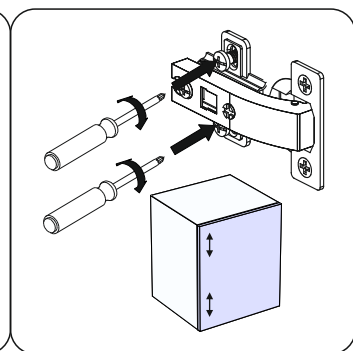
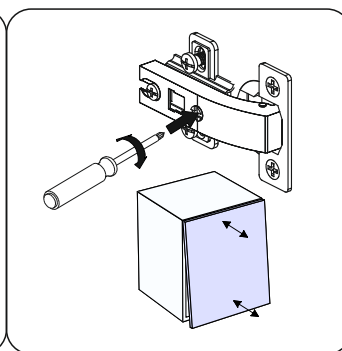
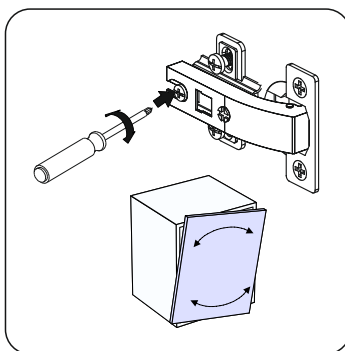
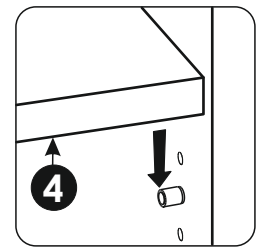
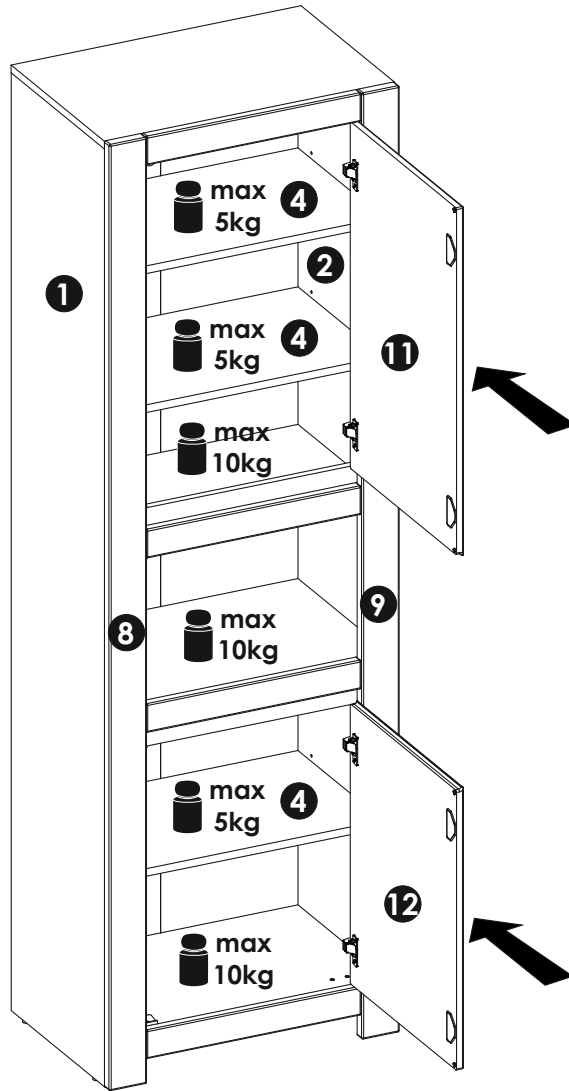
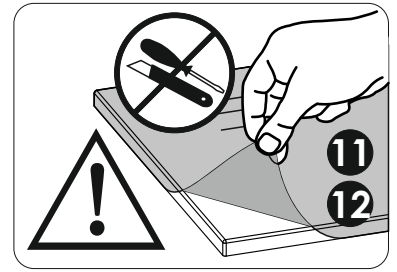
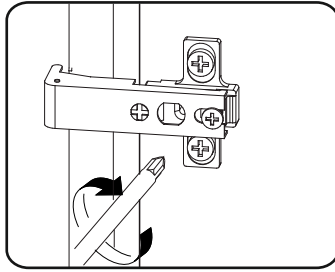
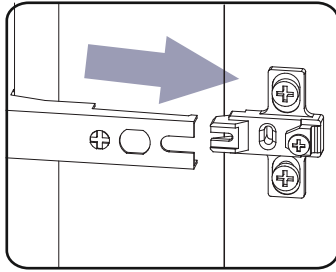
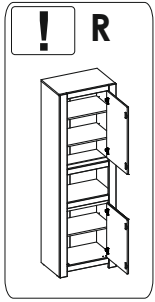
i

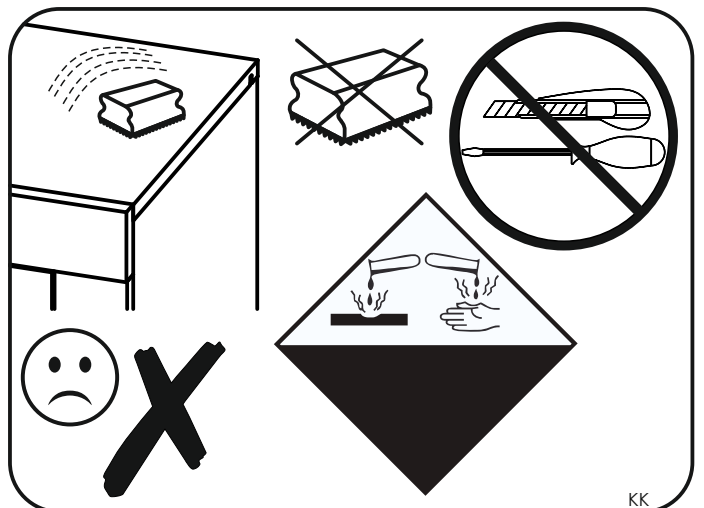
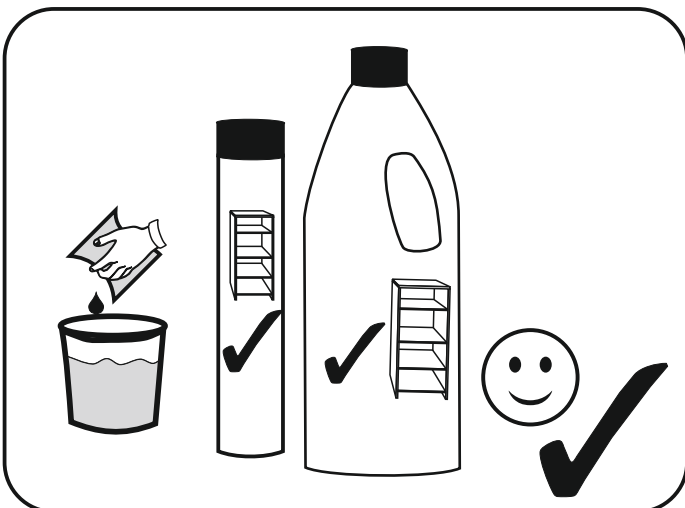
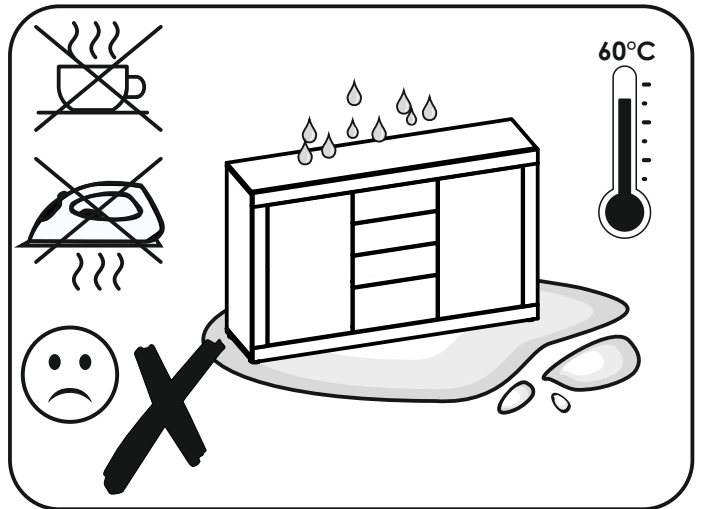
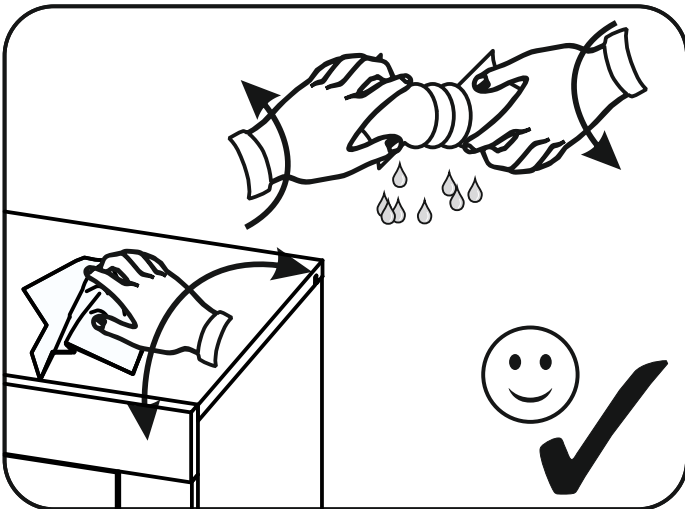
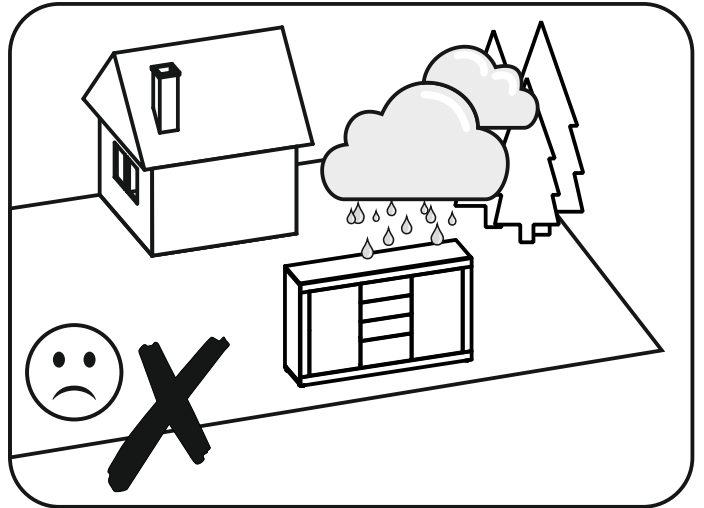
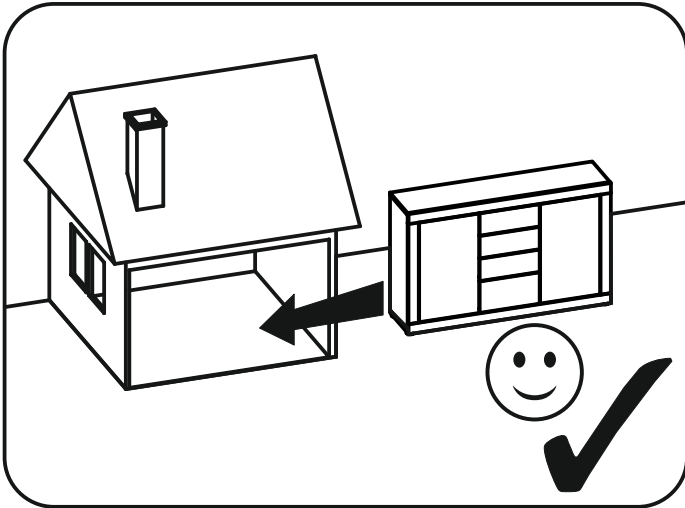
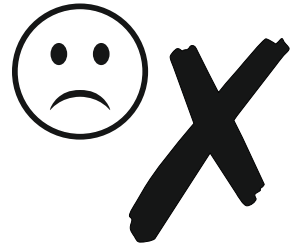


36 ▶



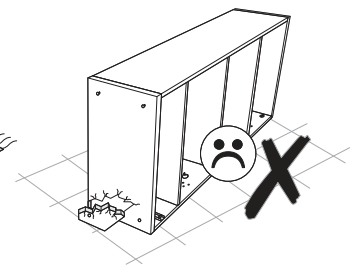
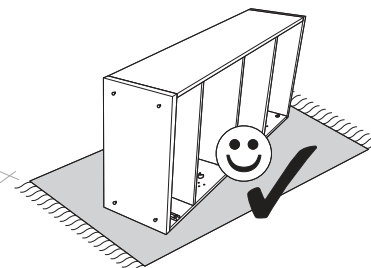
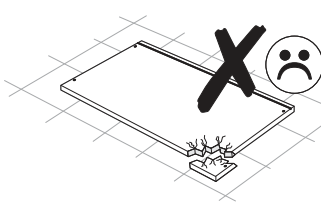
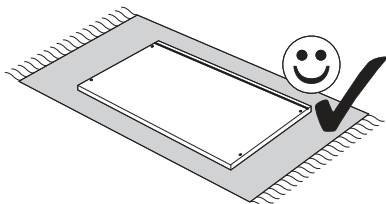
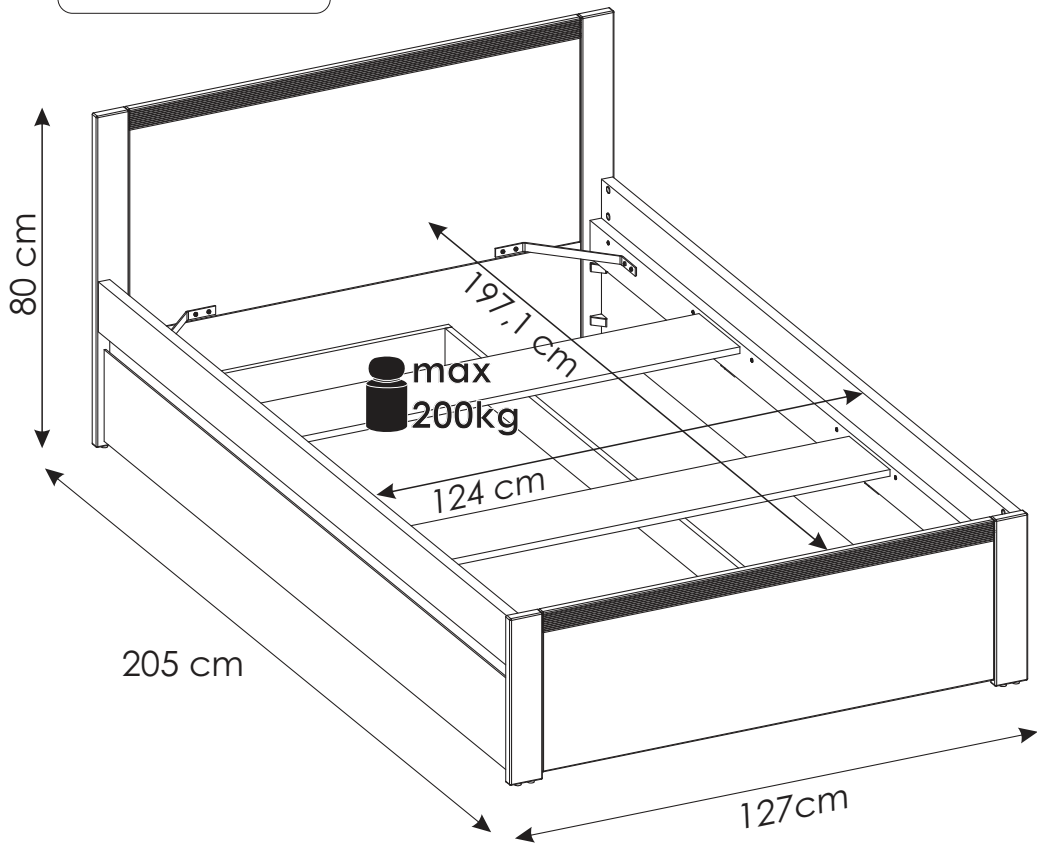
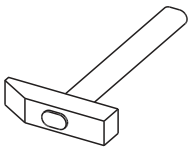
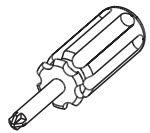
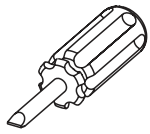
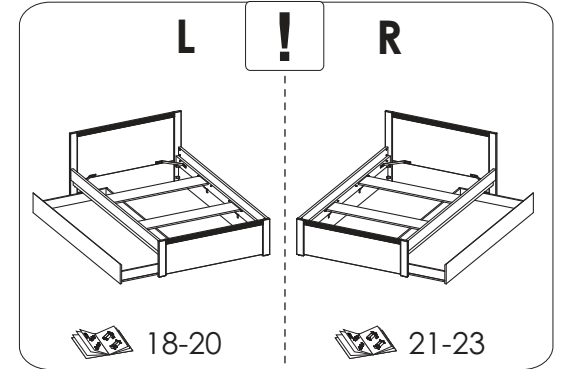
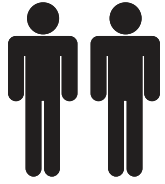
37 ▶

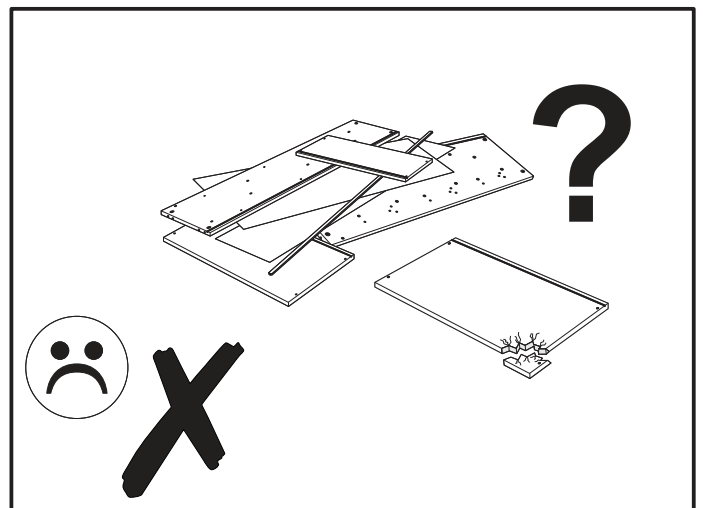
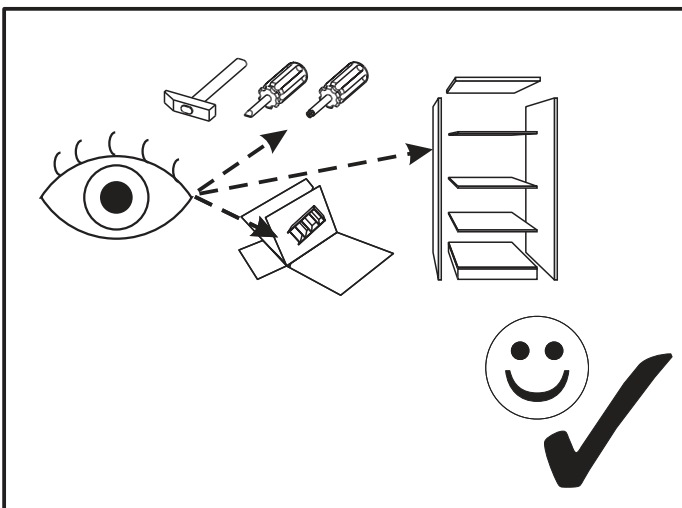
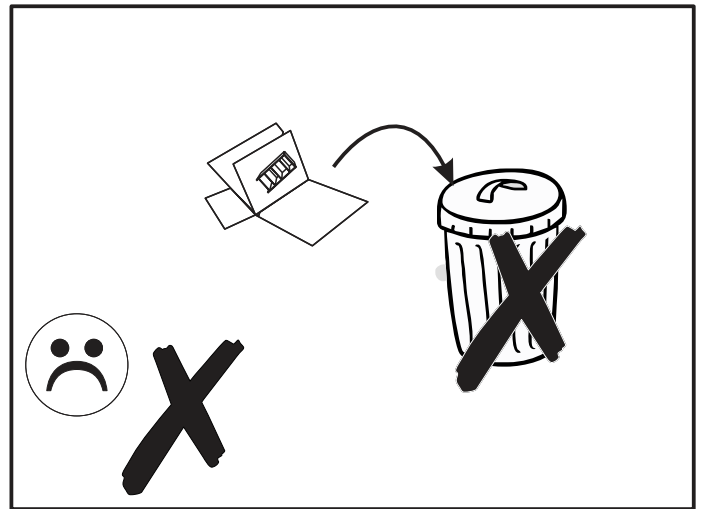
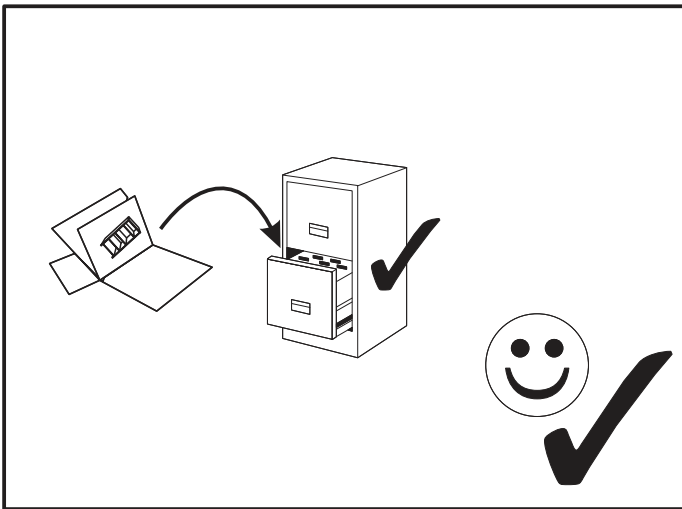
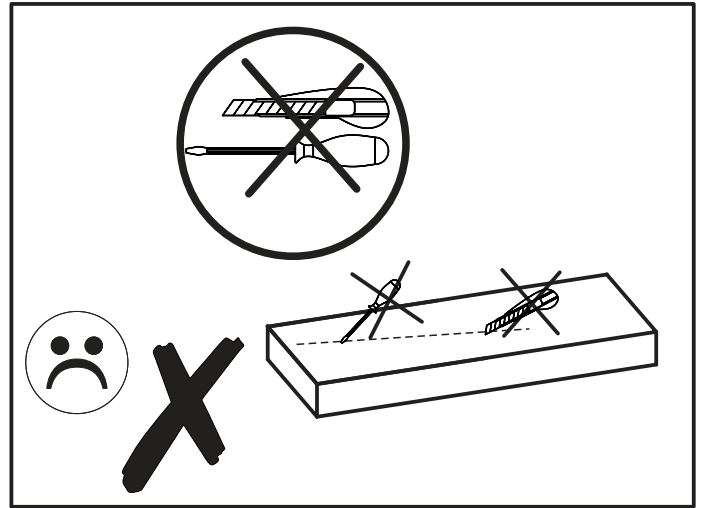
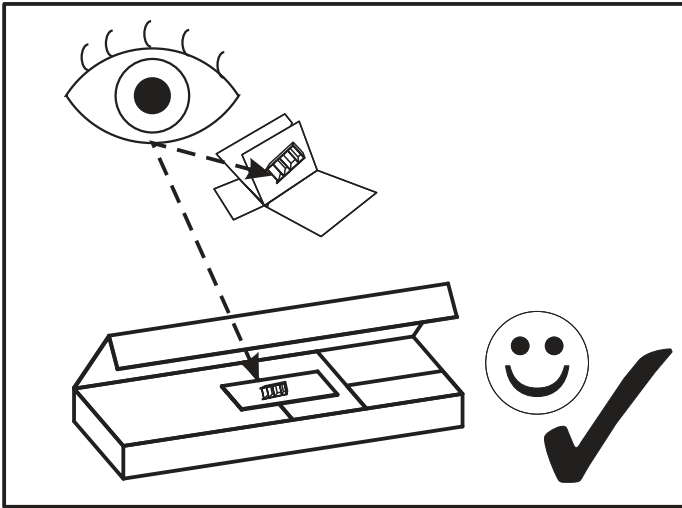




KK

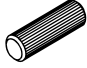



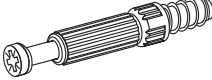



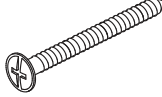
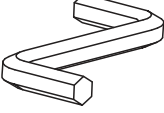
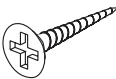
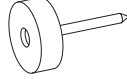


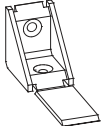

NVIZ02

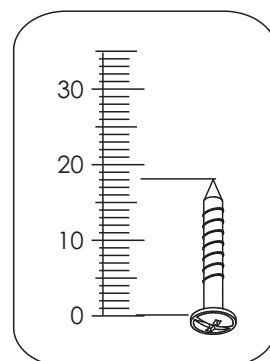




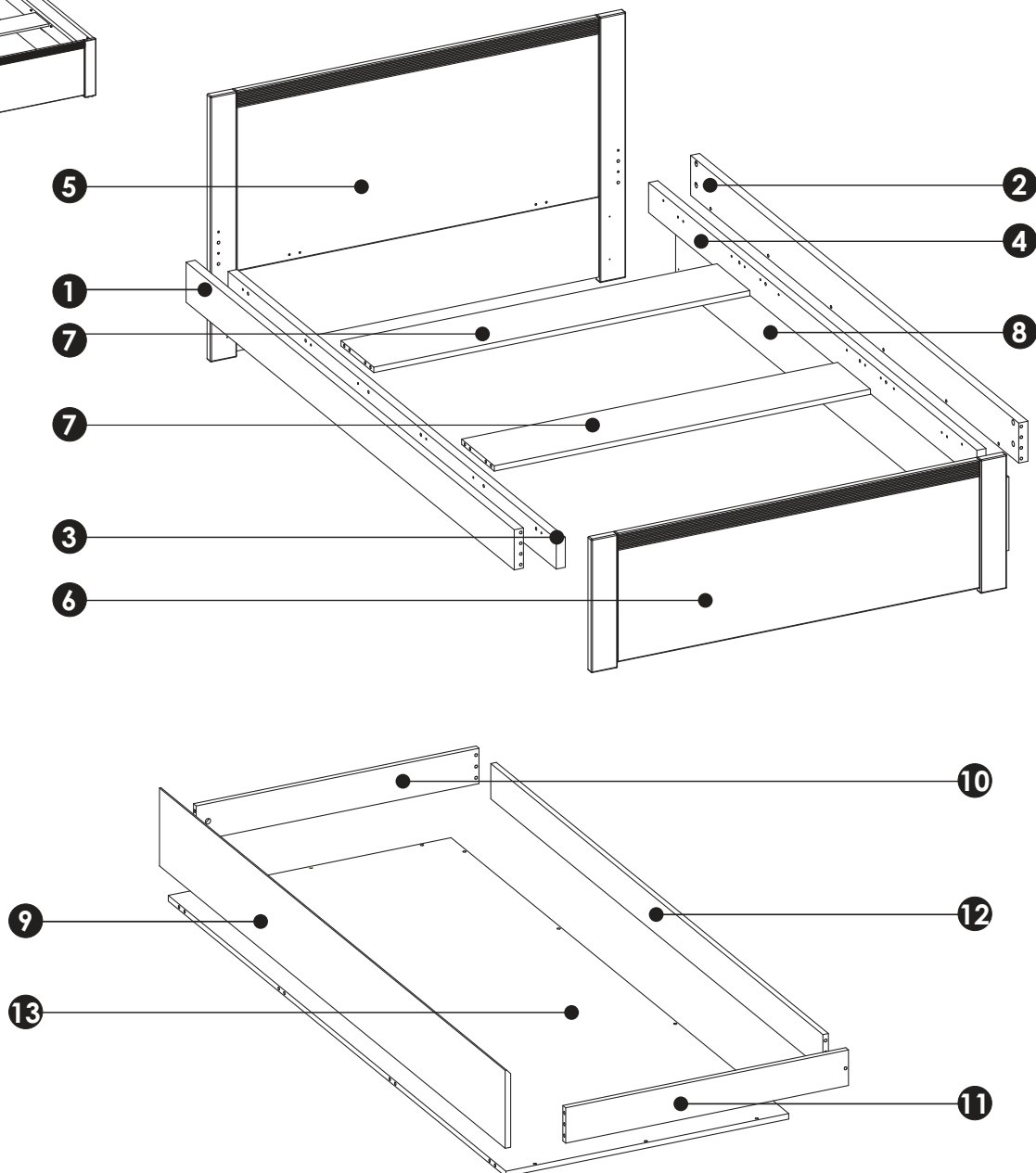
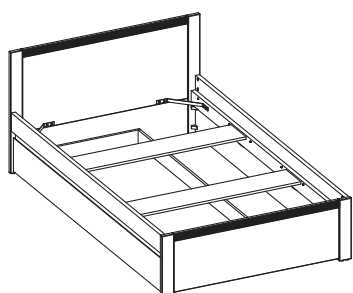
NVIZ02

MM

A1 8 x 35 mm x40 	C3 6,3 x 16 mm x16 	E0 x10 
E1 15 x 12 mm x22 	F1 6 x 34 mm x22 	G0 x2 
G1 7 x 50 mm x12 	I14 3 x 13 mm x12 	I18 4 x 45 mm x12 
M x1 	N2 3,5 x 16 mm x12 	O2 x8 
O5 x6 	R8 x2 	W x6 
X4 x4 		

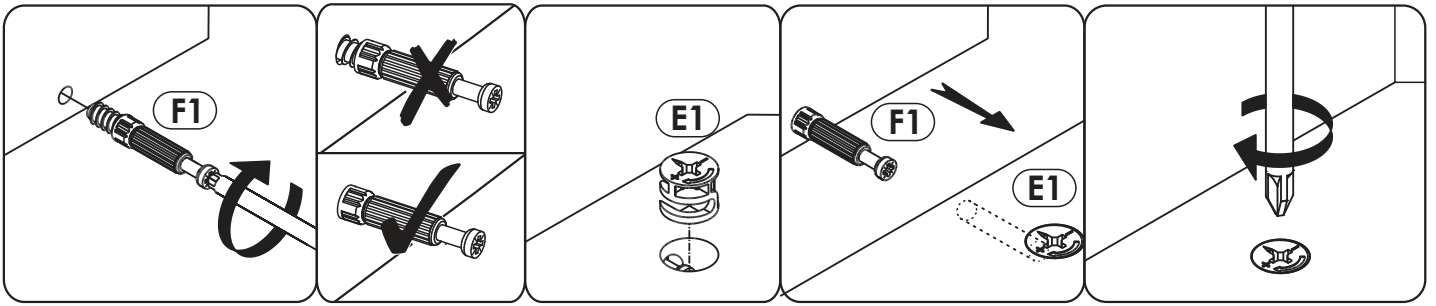


NVIZ02

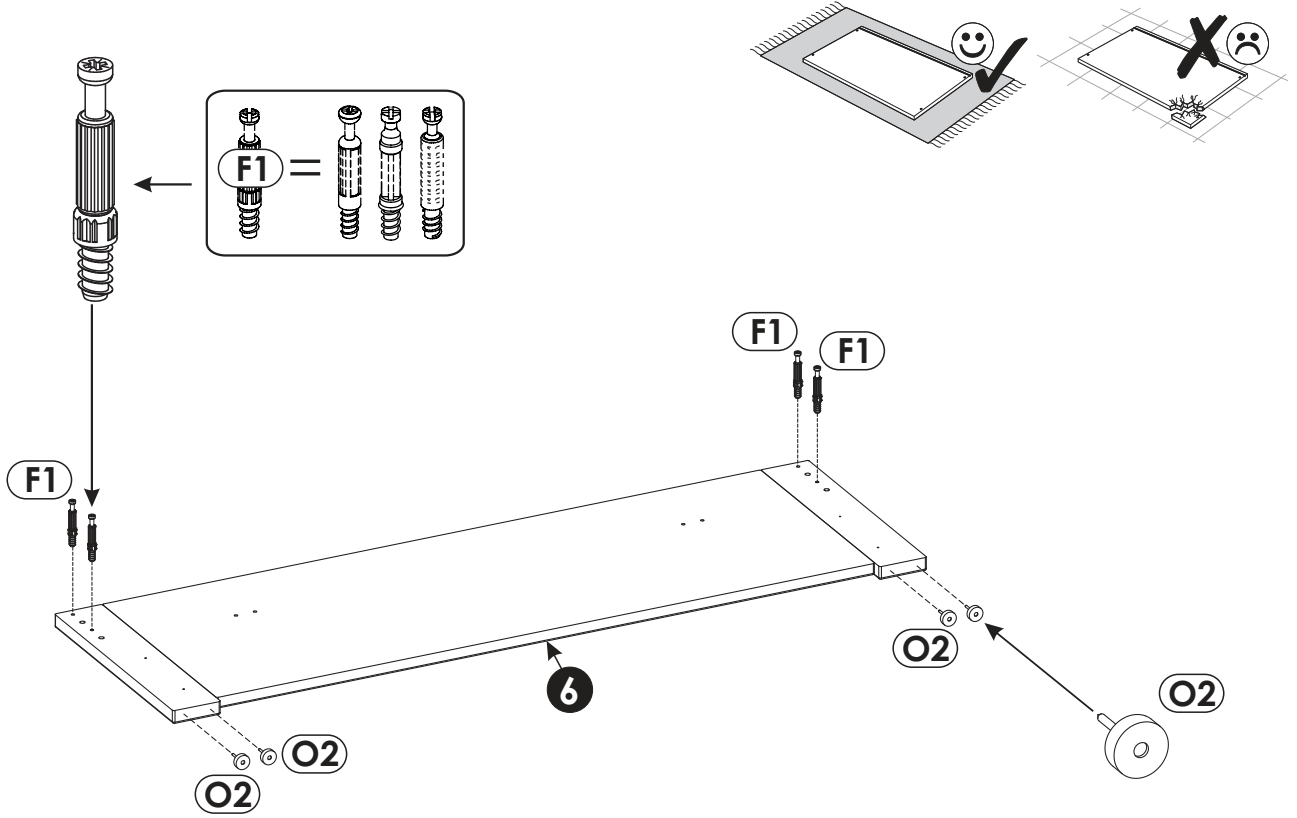


1	2005	120	28 x1	1/3
2	2005	120	28 x1	1/3
3	2005	90	28 x1	1/3
4	2005	90	28 x1	1/3
5	1269	795	22 x1	2/3
6	1269	400	22 x1	2/3
7	1149	200	16 x2	3/3

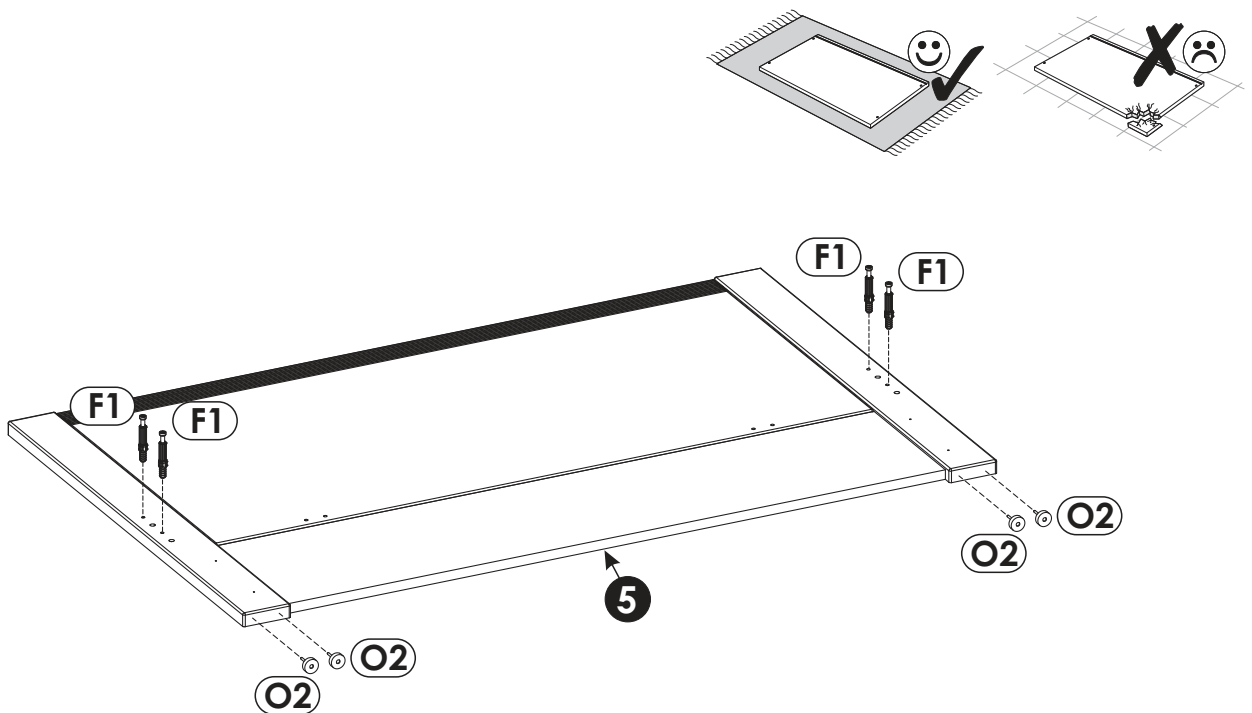
8	2005	220	16 x1	1/3
9	1995	220	16 x1	1/3
10	816	100	16 x1	3/3
11	816	100	16 x1	3/3
12	1916	100	16 x1	3/3
13	1948	816	16 x1	3/3



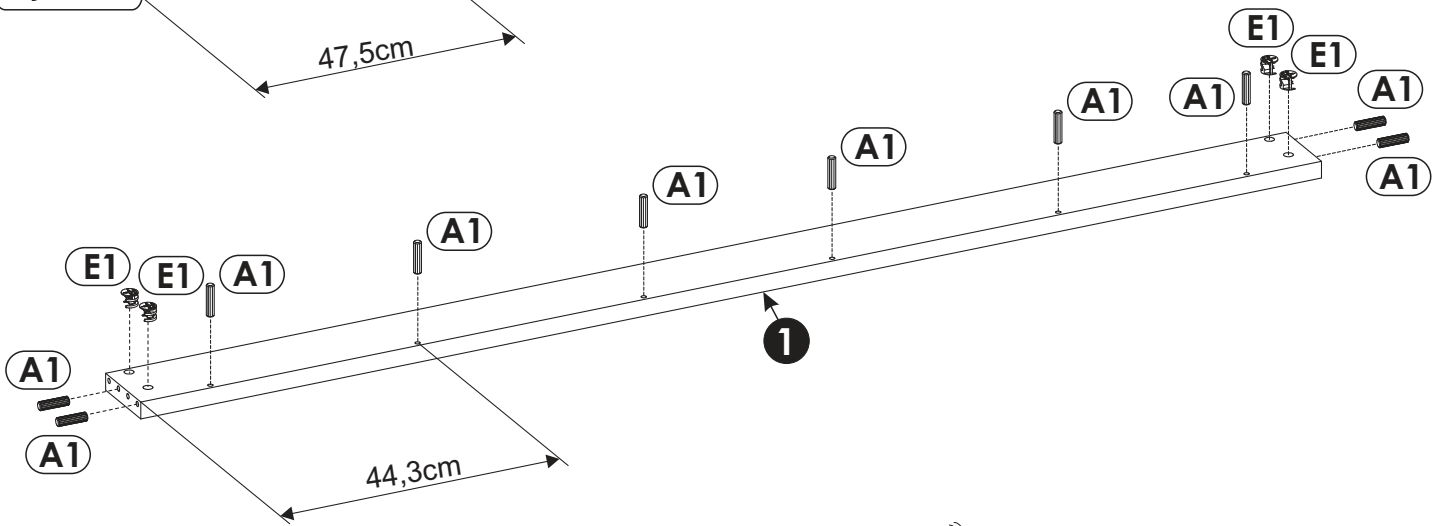
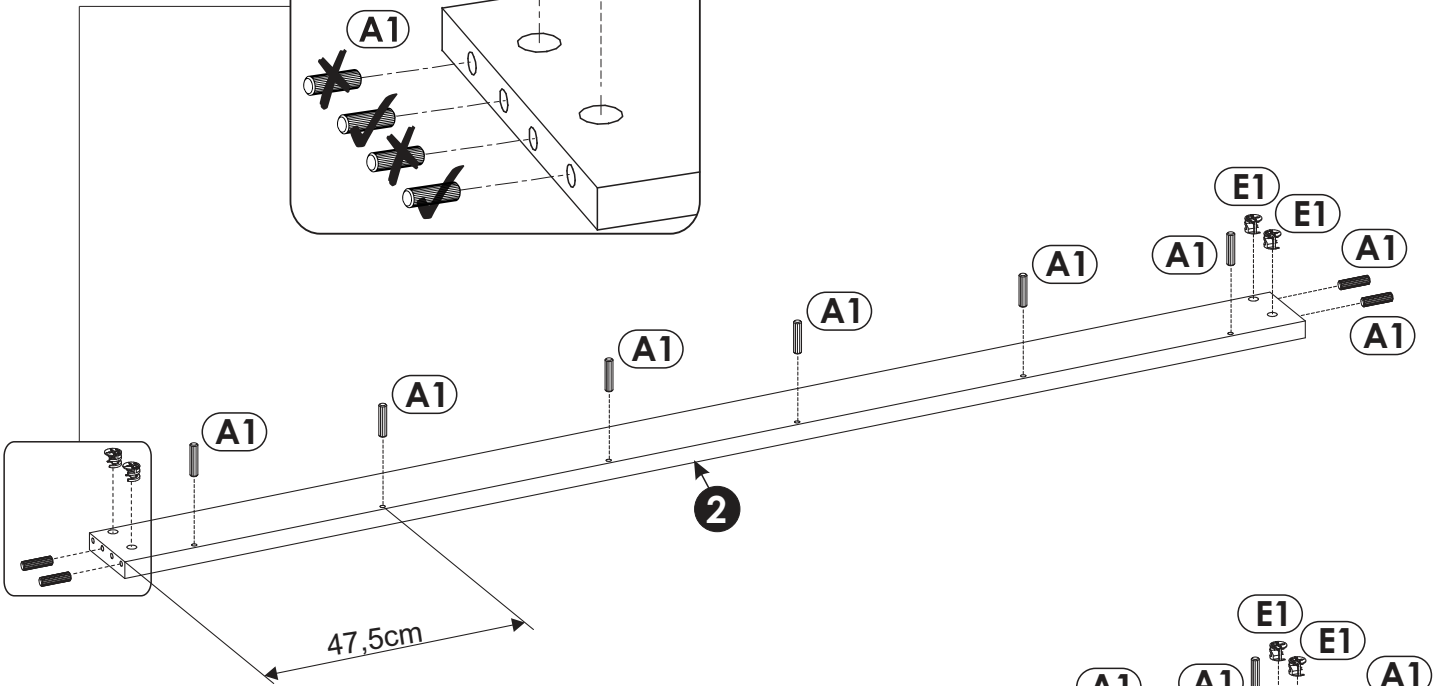
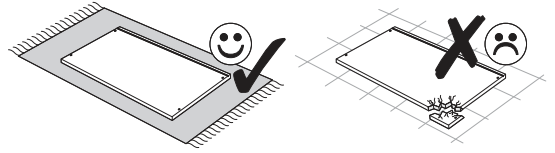
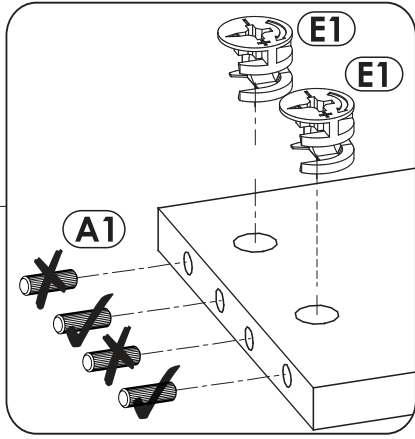
1 ▶



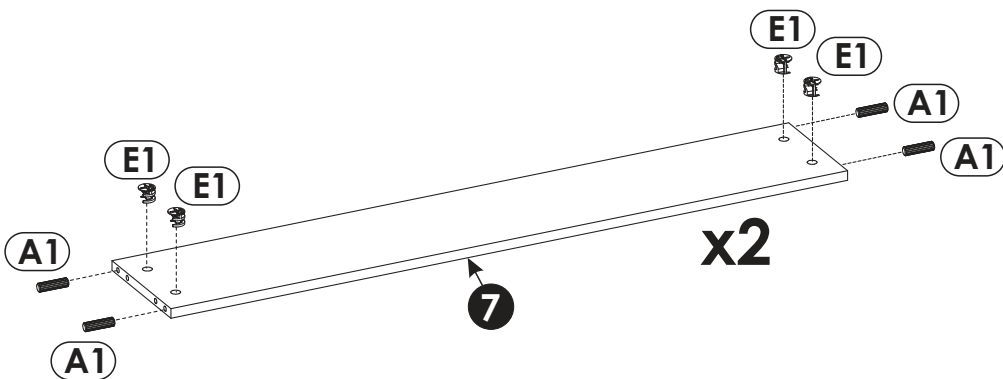
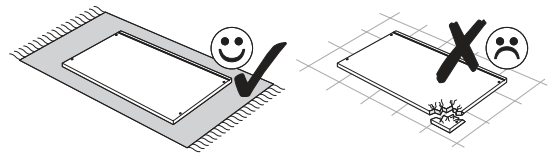
2 ▶



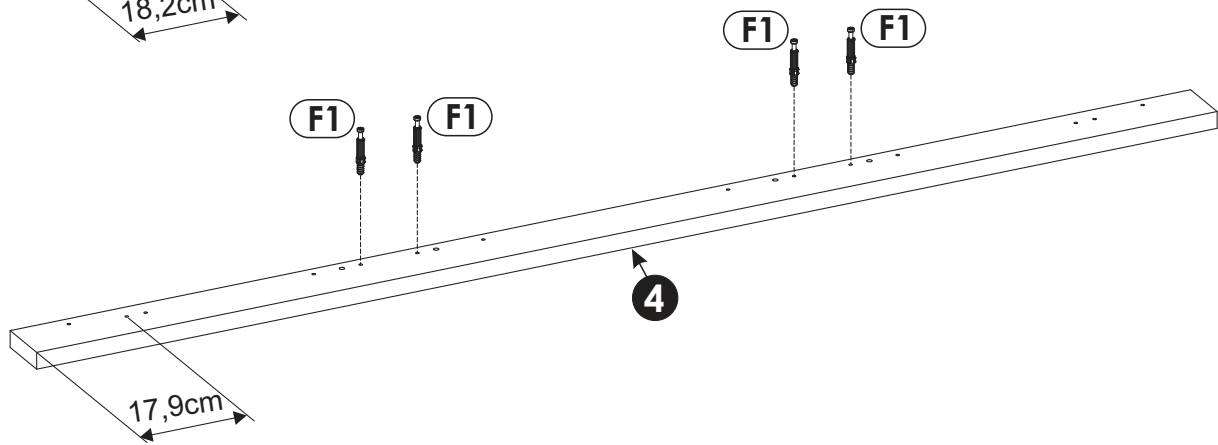
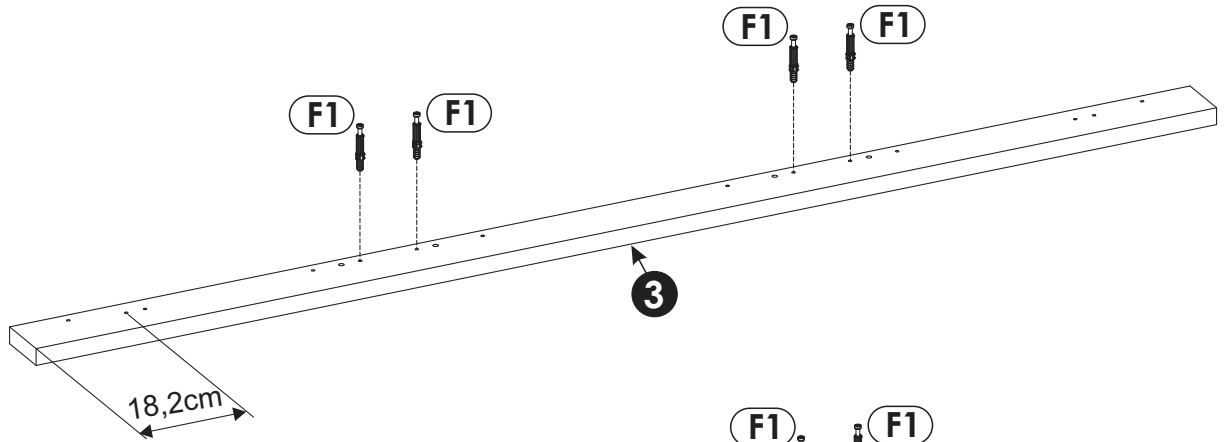
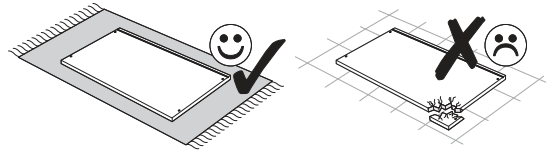
3 ▶



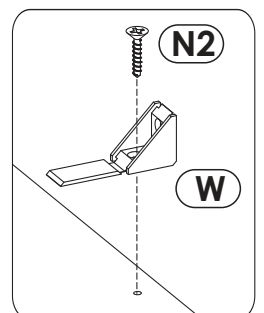
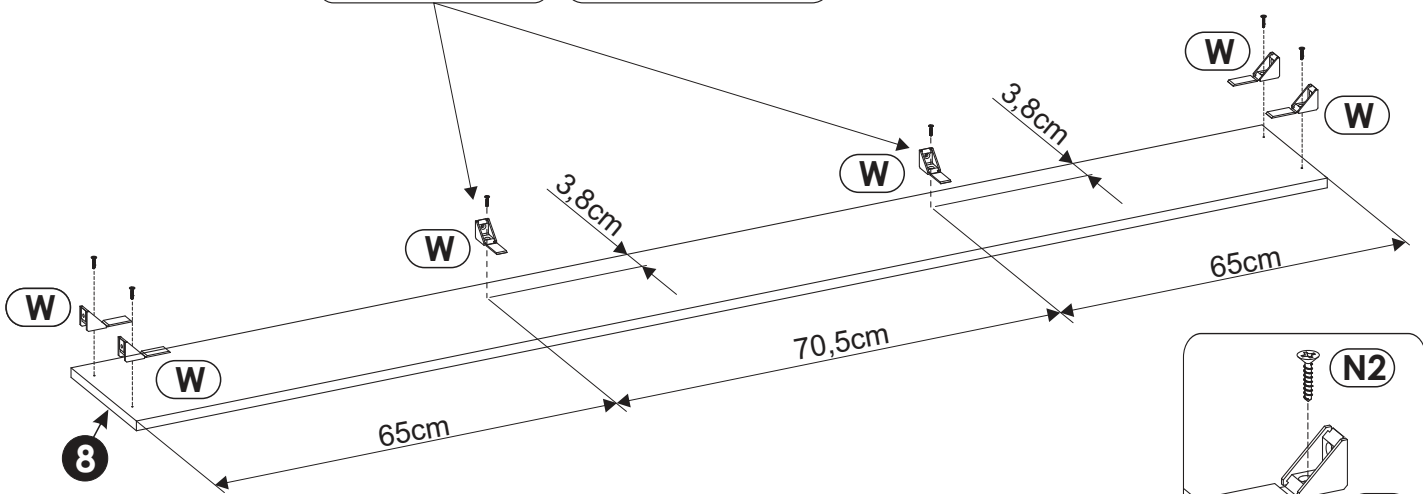
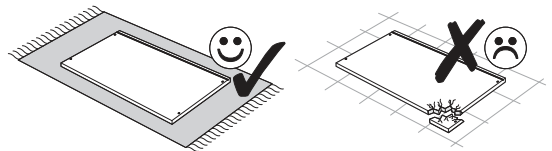
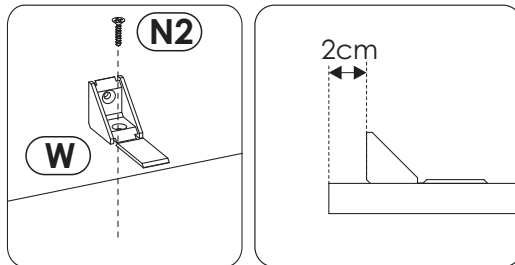
4 ▶



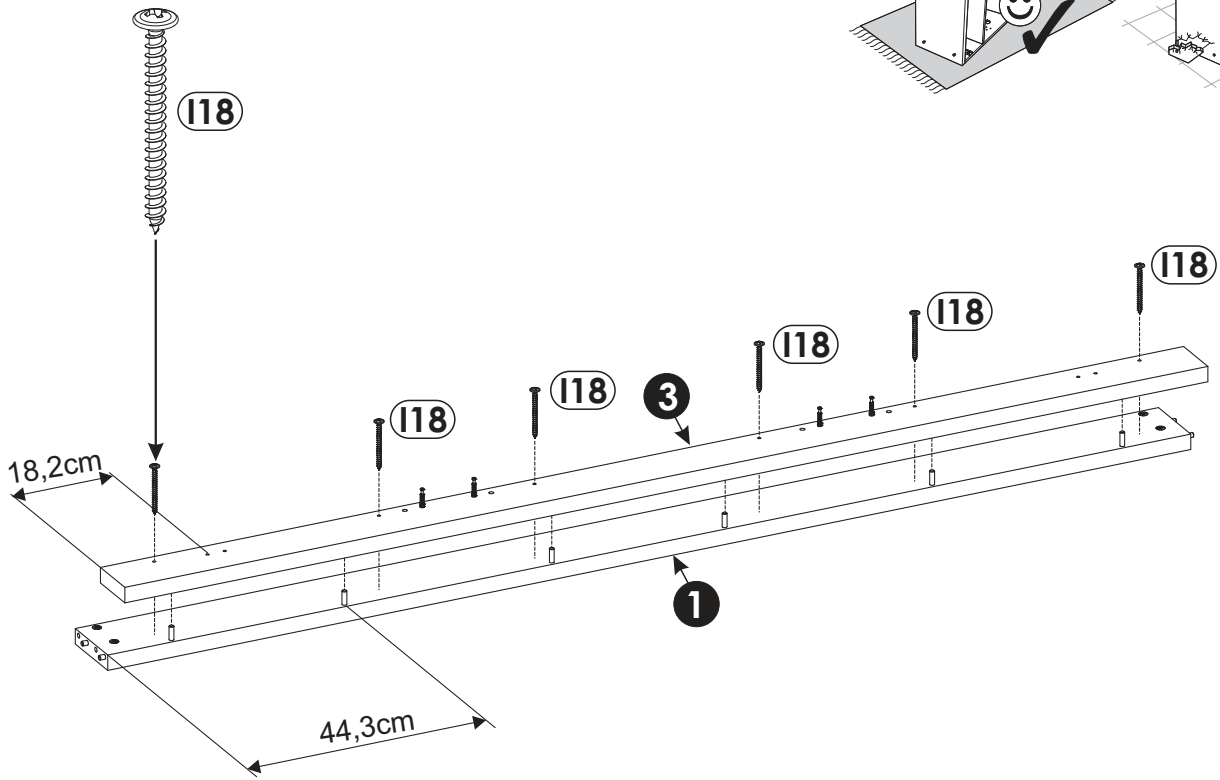
5 ▶



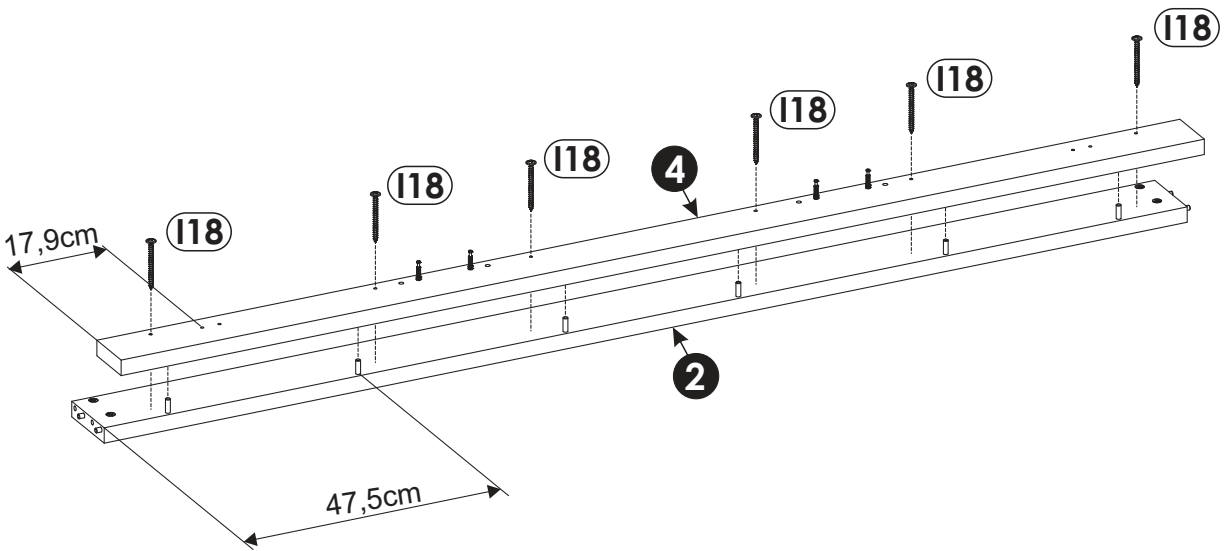
6 ▶



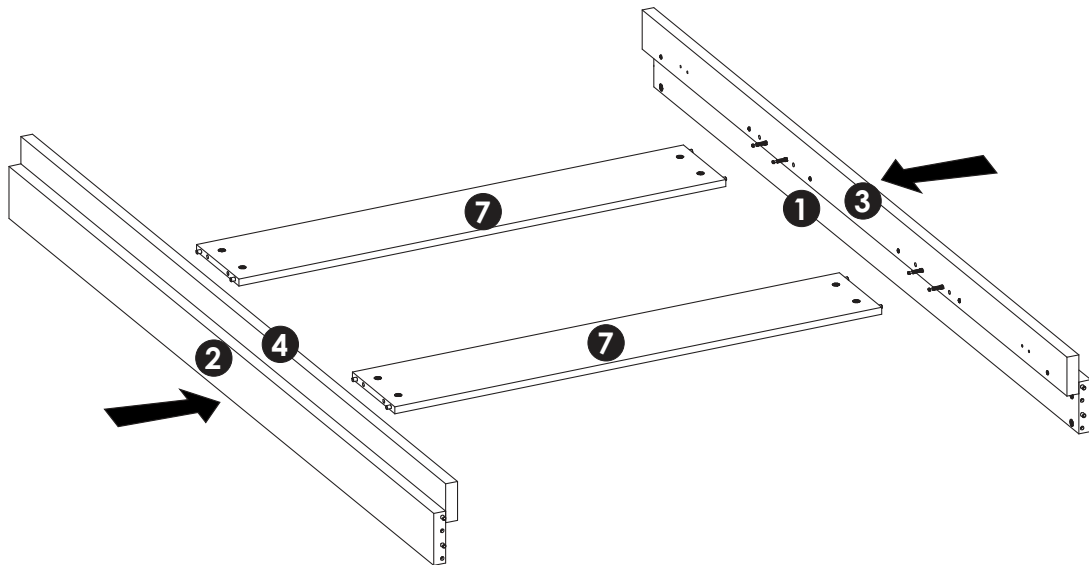
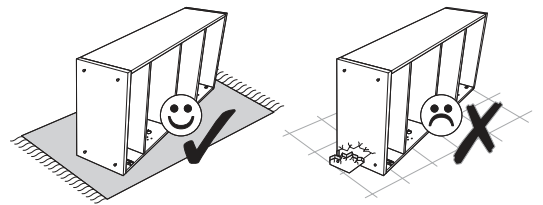
7 ▶



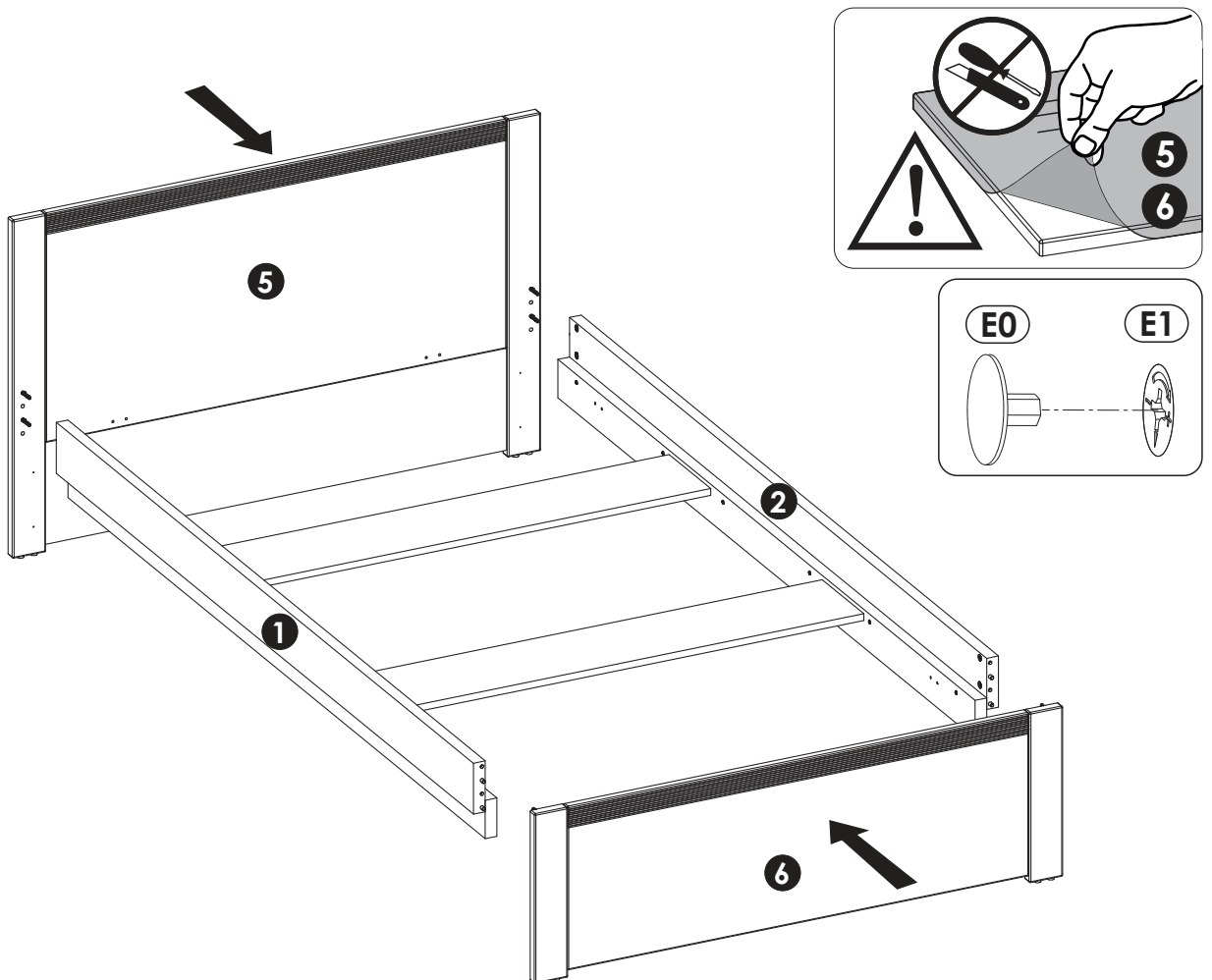
8 ▶



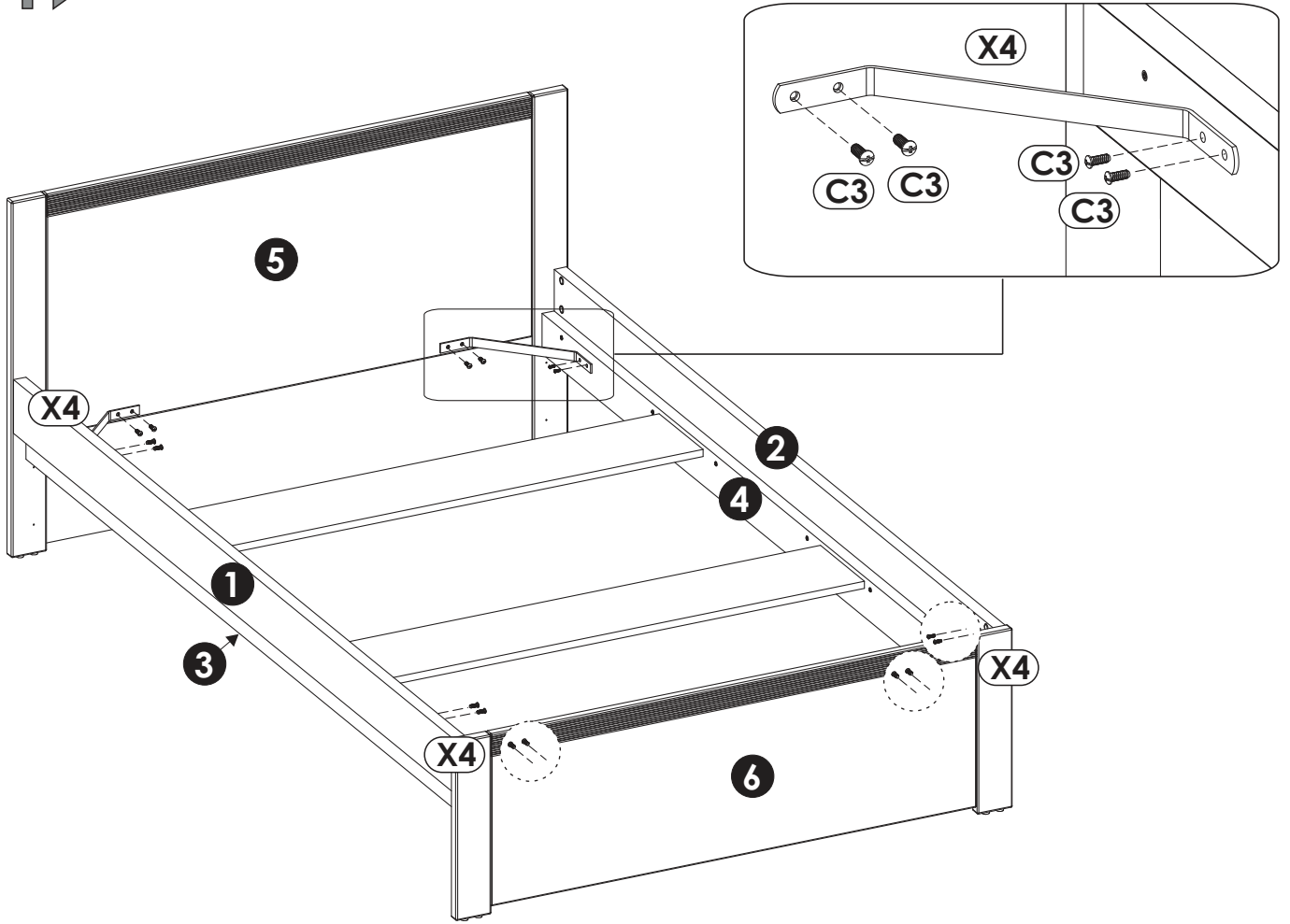
9 ▶



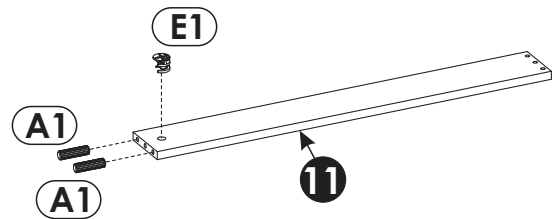
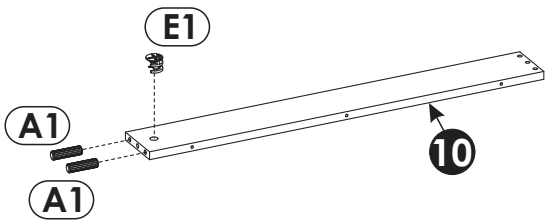
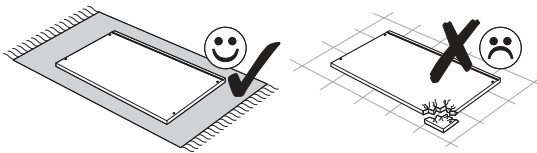
10 ▶



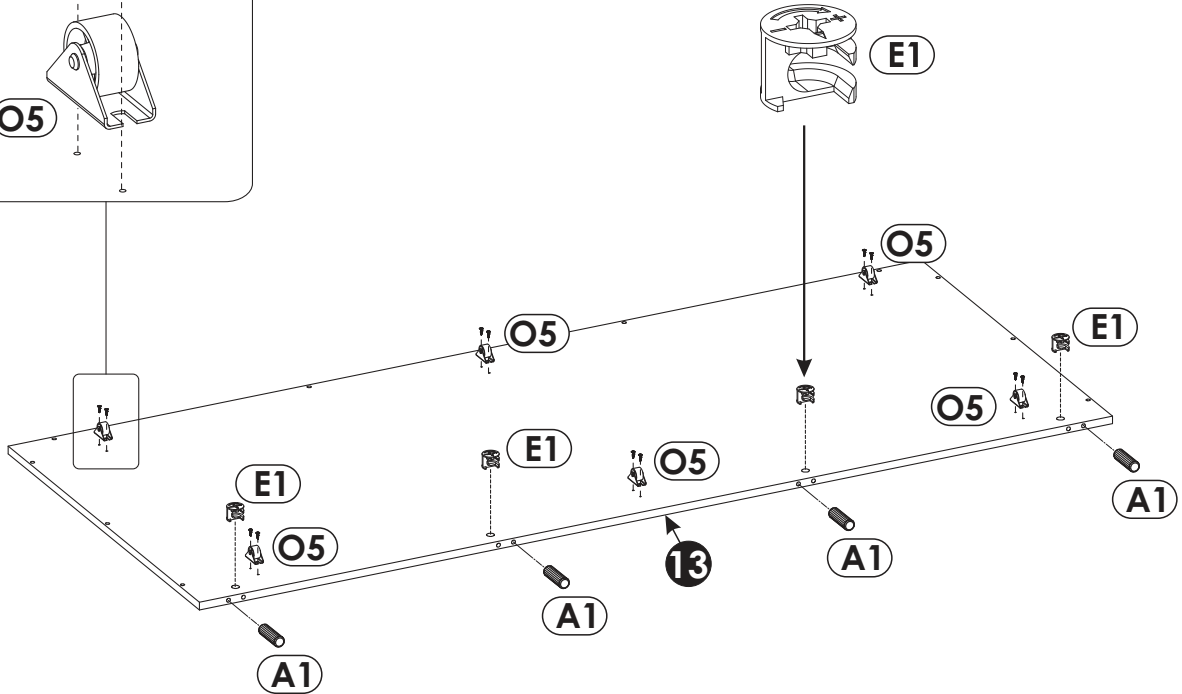
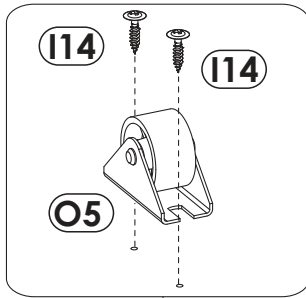
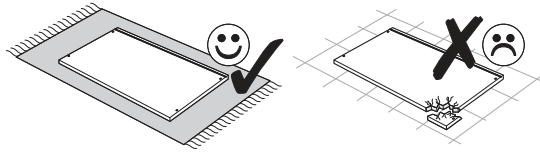
11 ▶



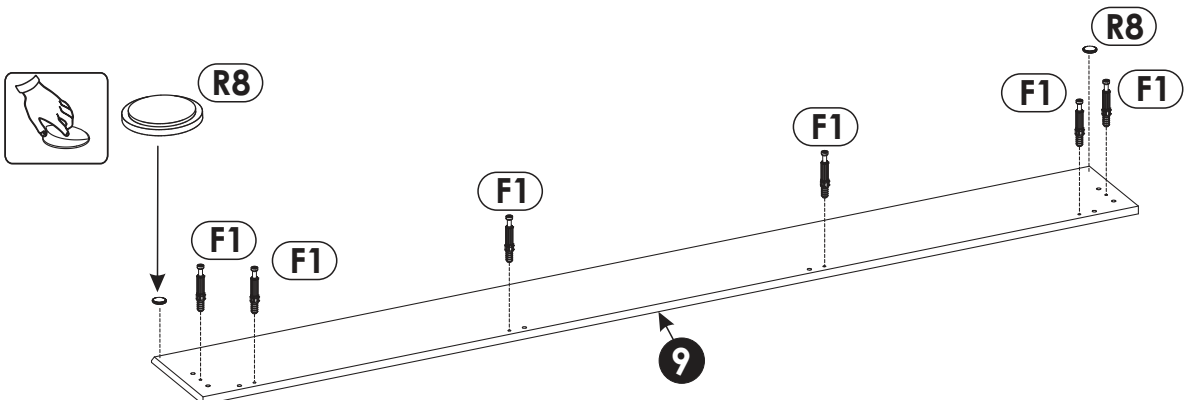
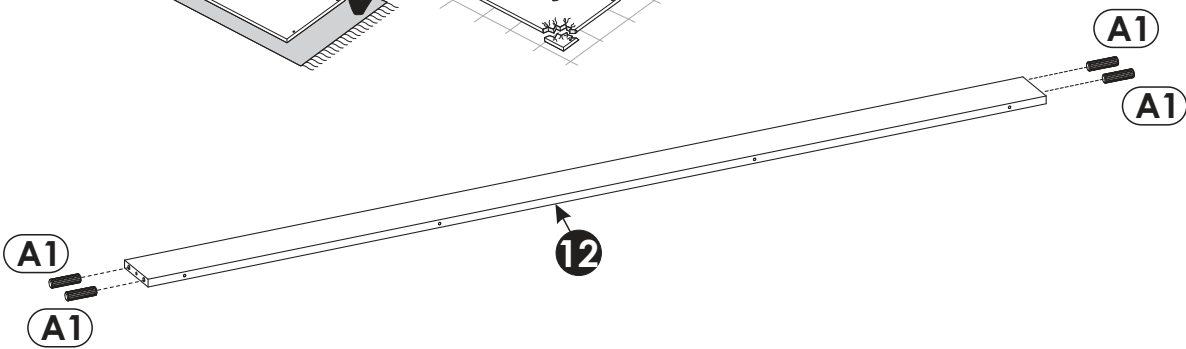
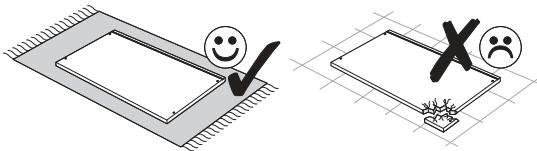
12 ▶



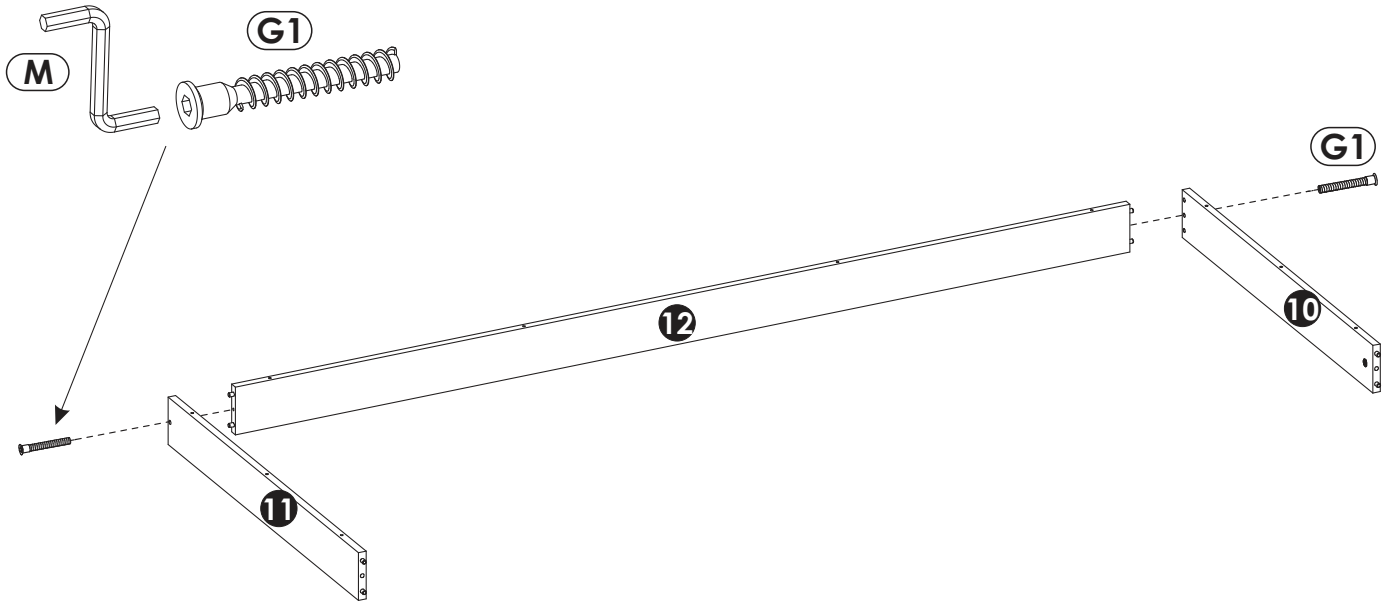
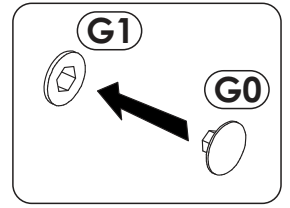
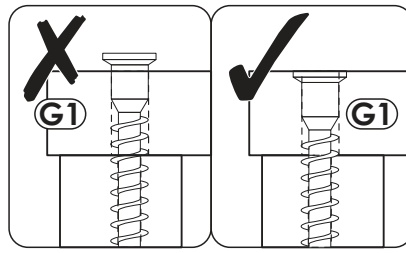
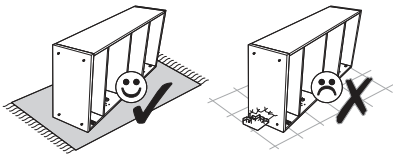
13▶



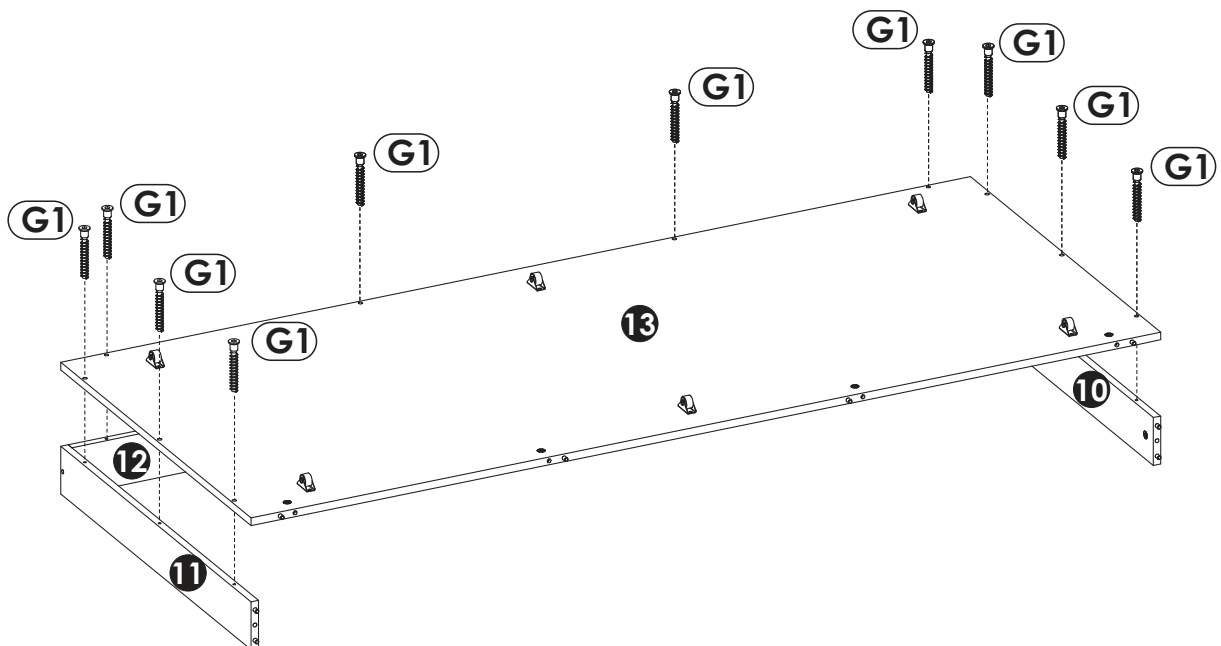
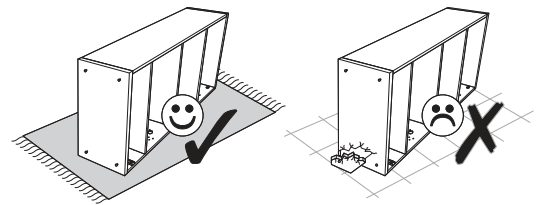
14▶



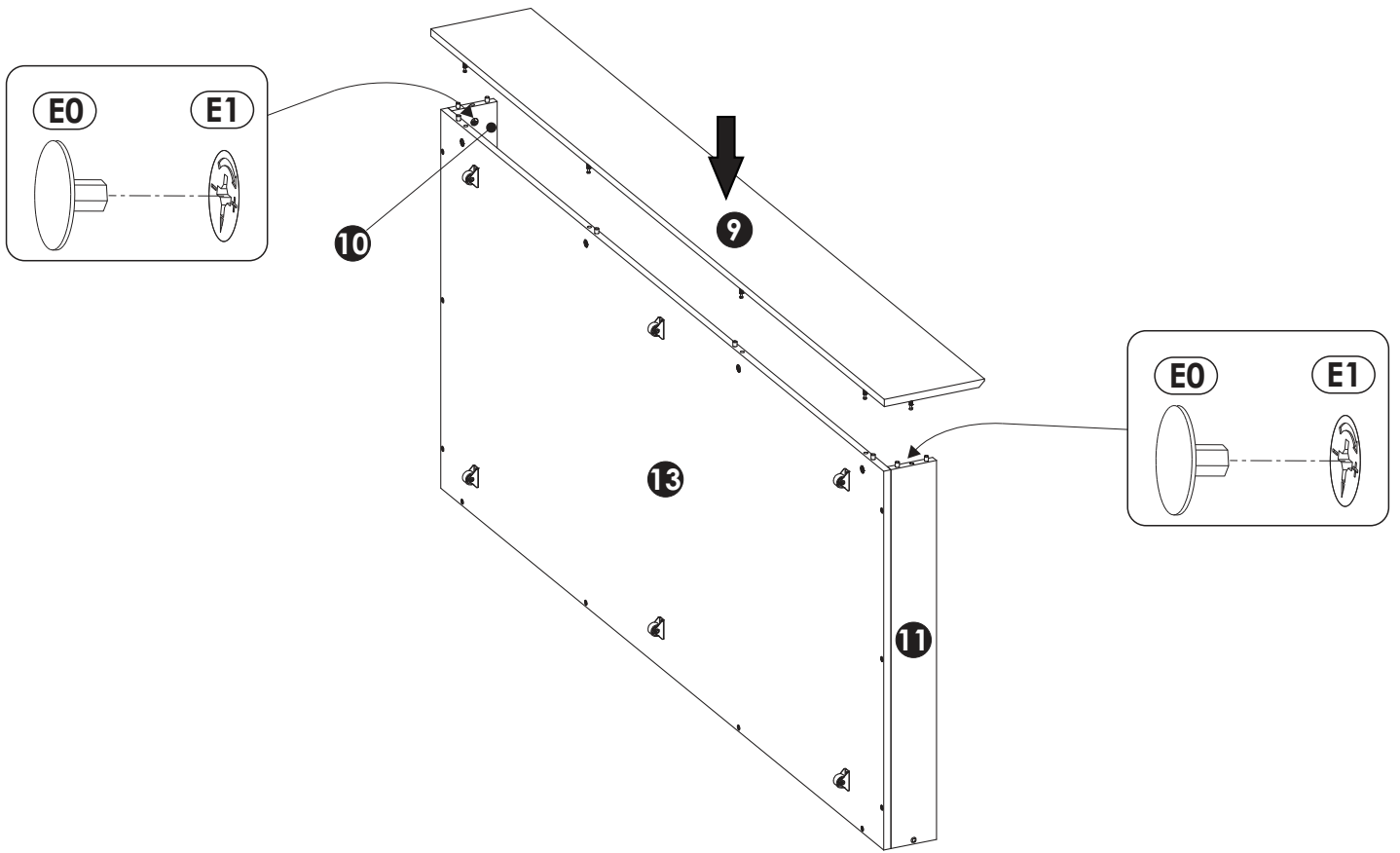
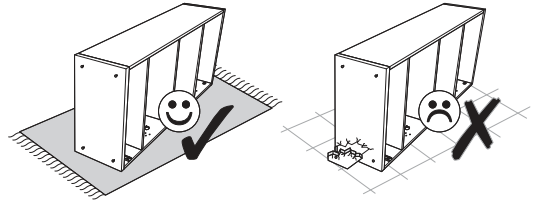
15 ▶



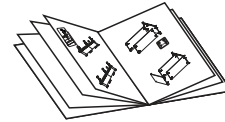
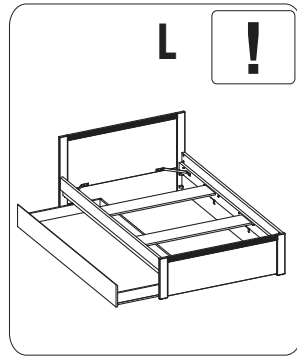
16 ▶



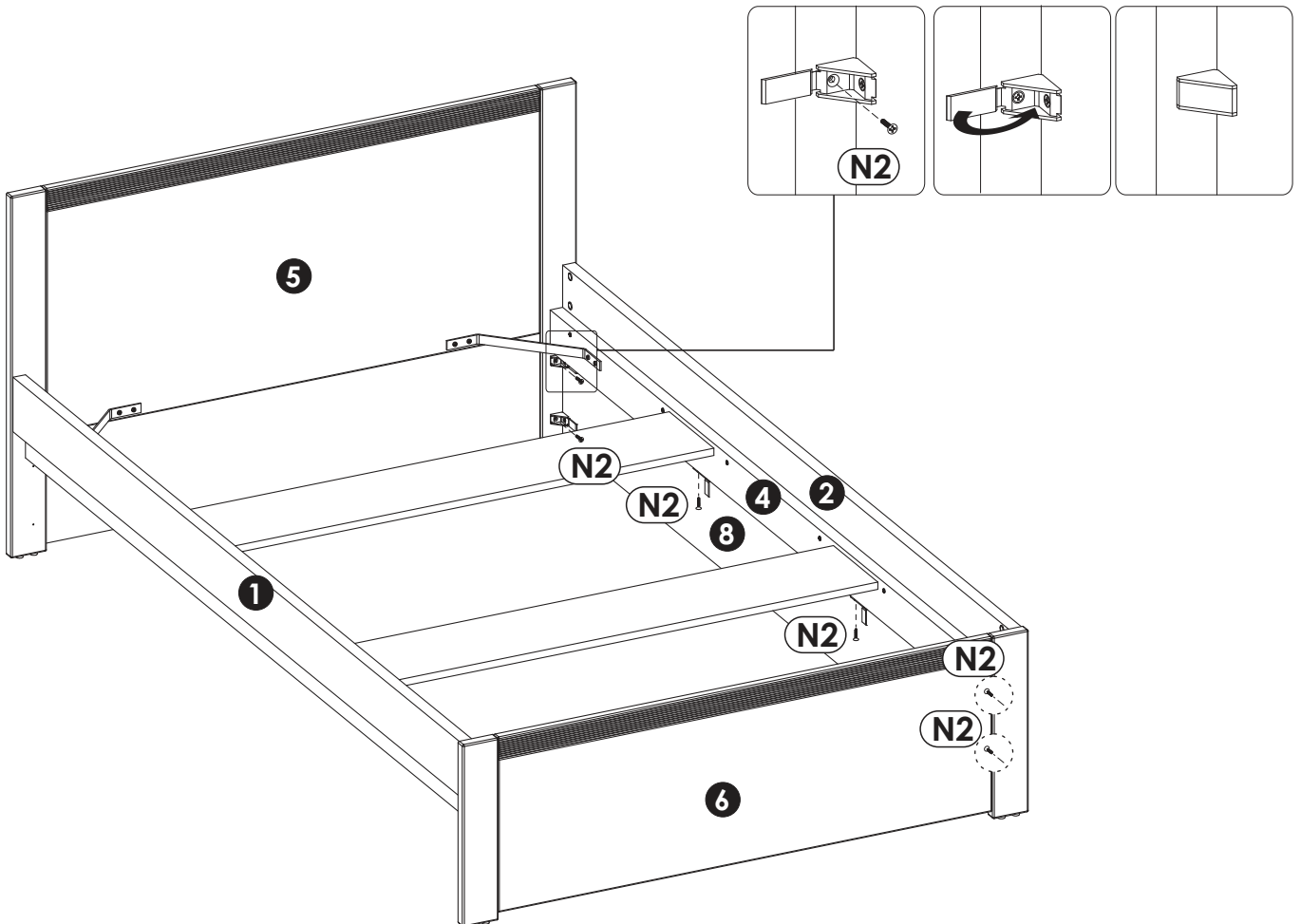
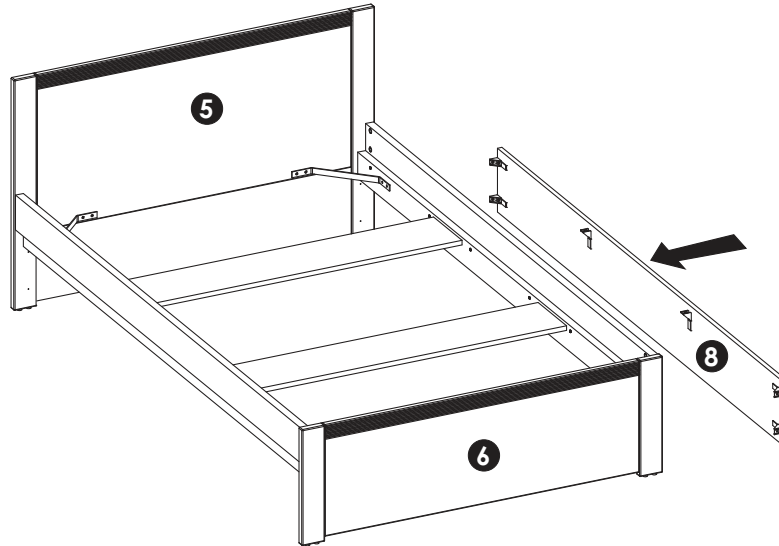
17▶



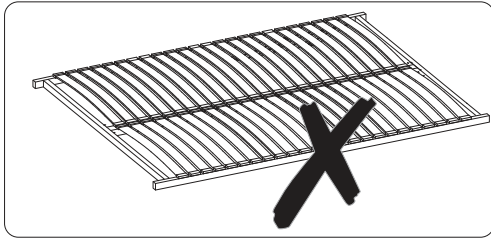
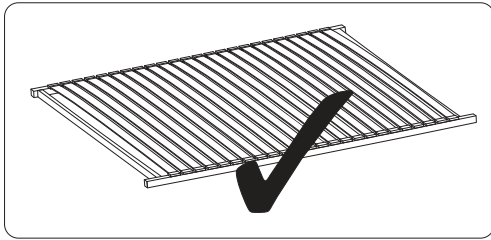
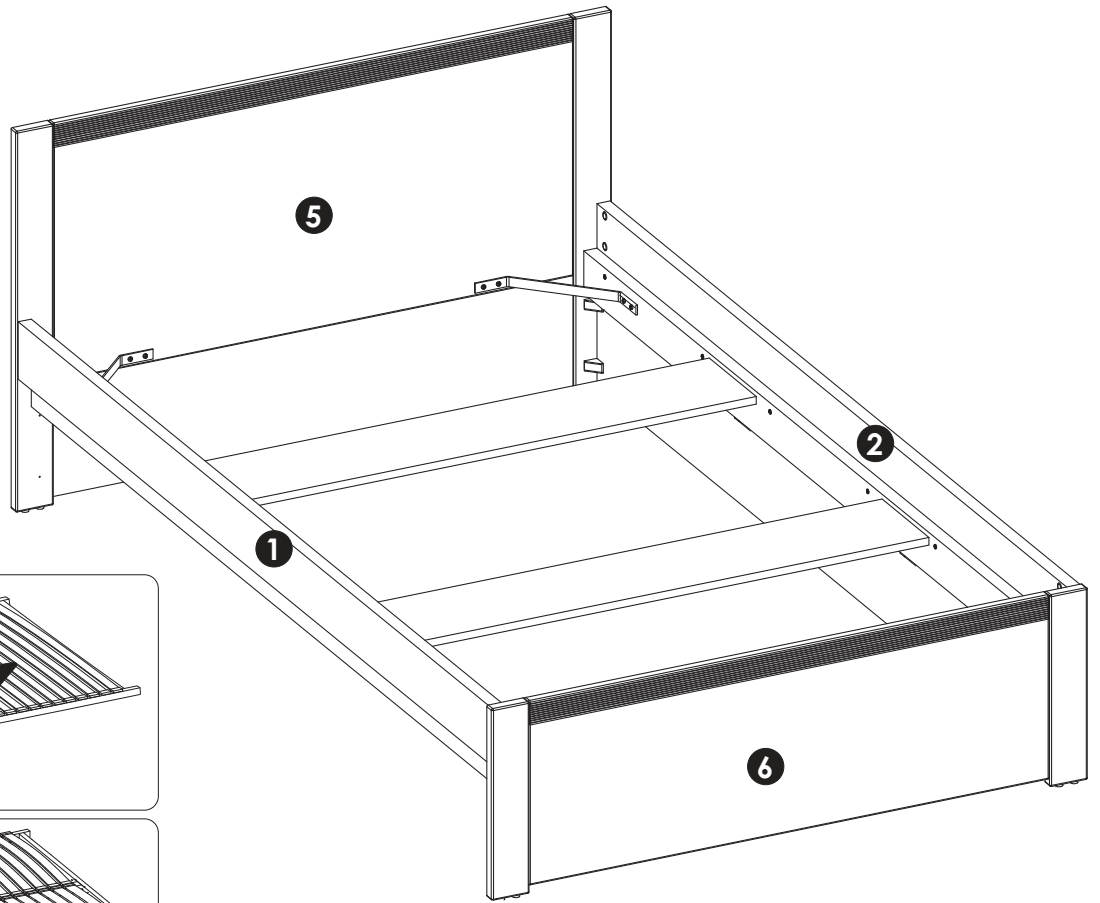
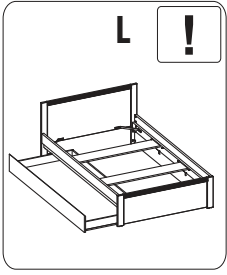
18▶



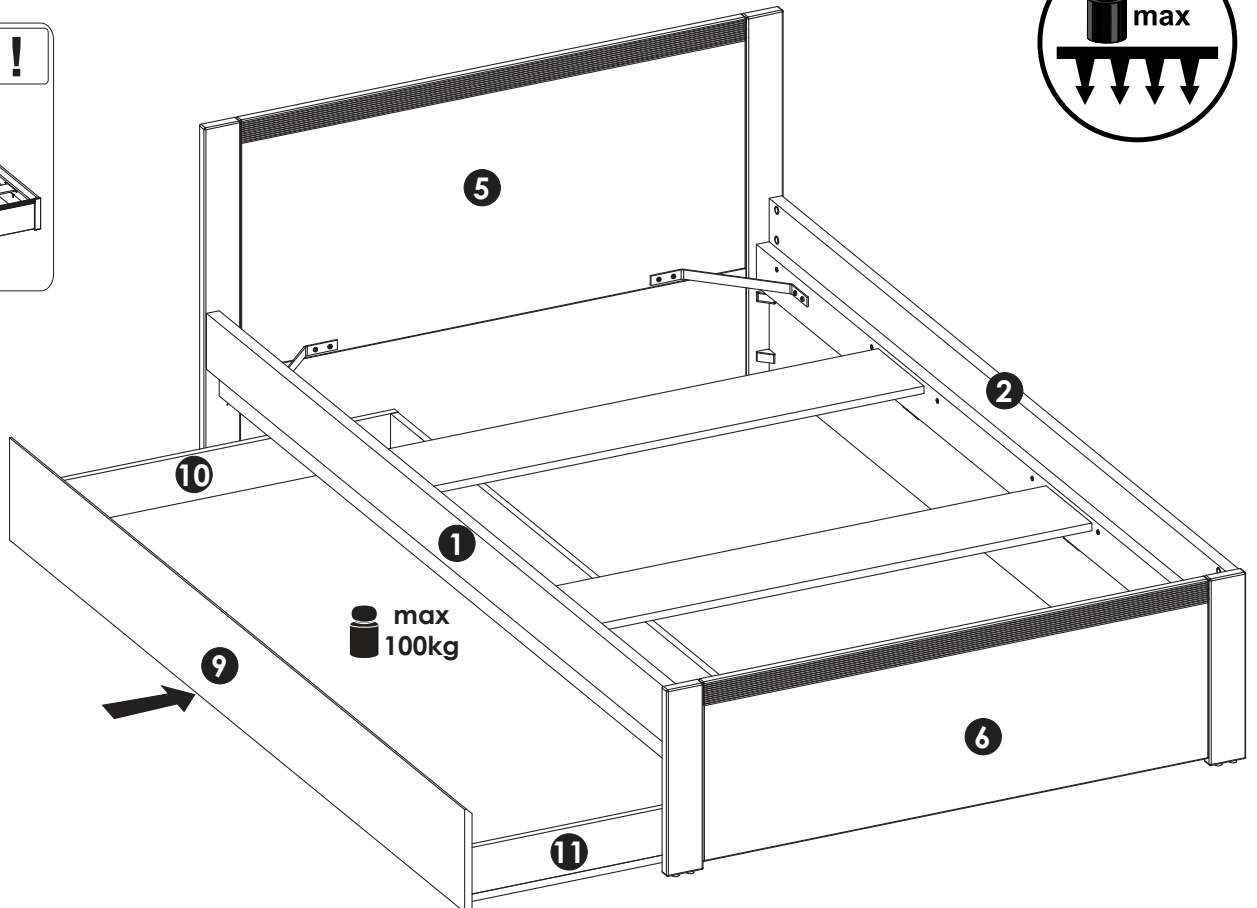
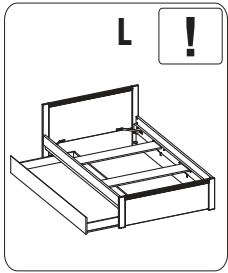
18-20



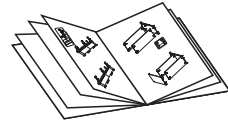
19 ▶



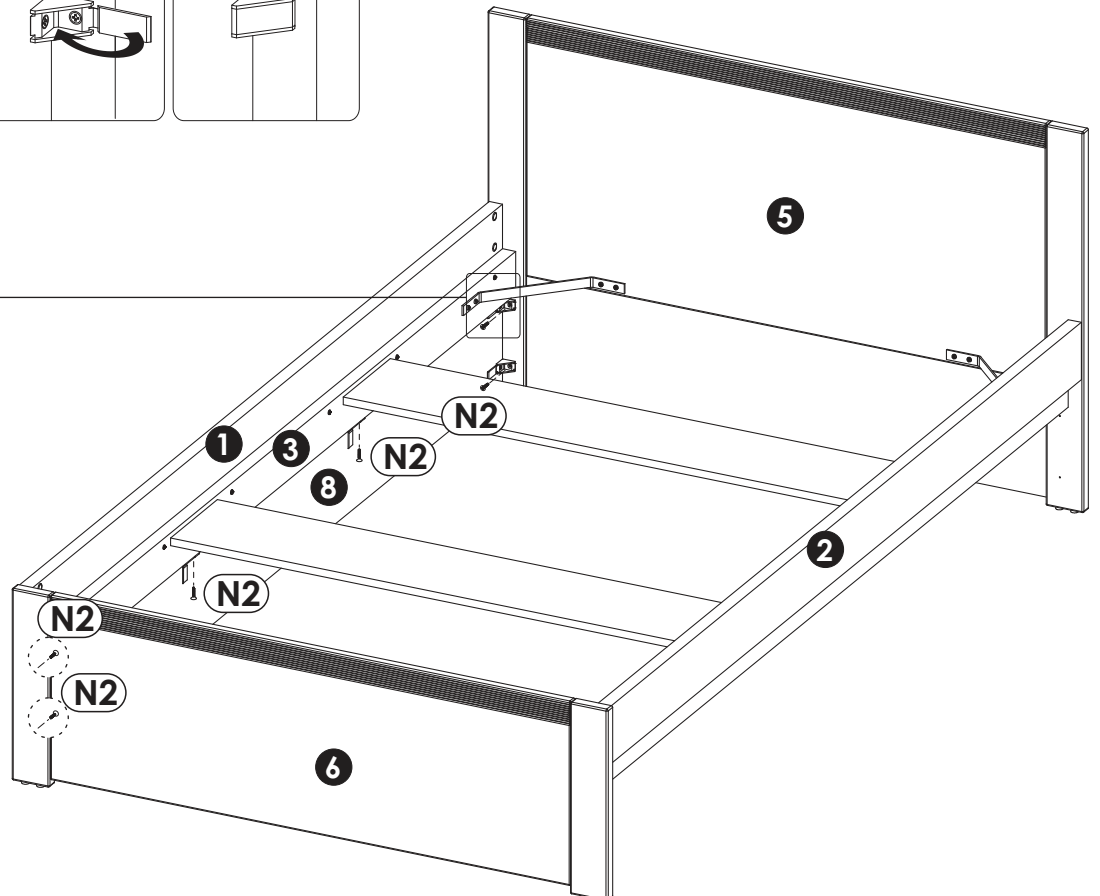
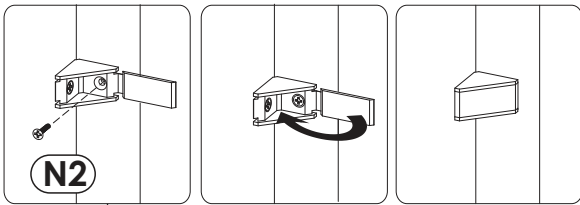
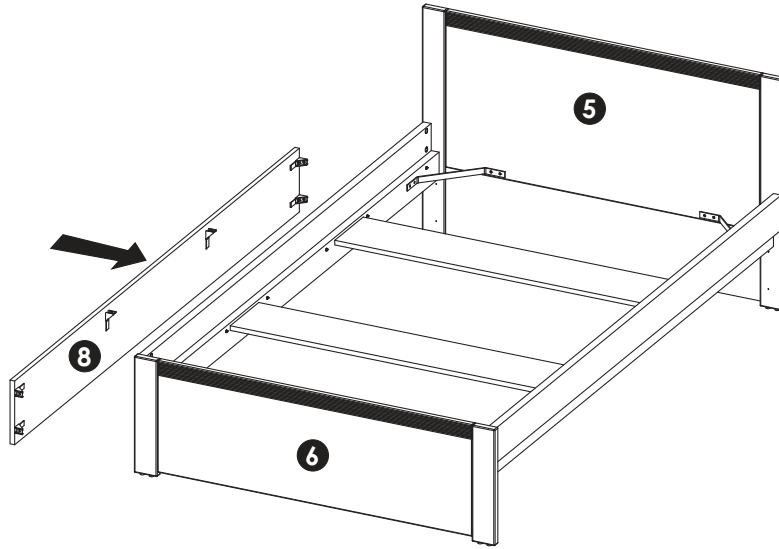
20 ▶



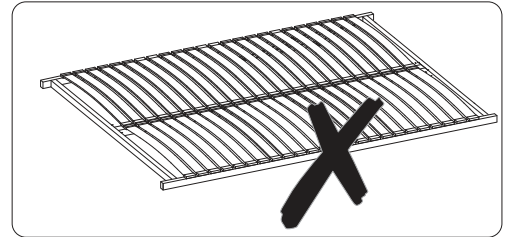
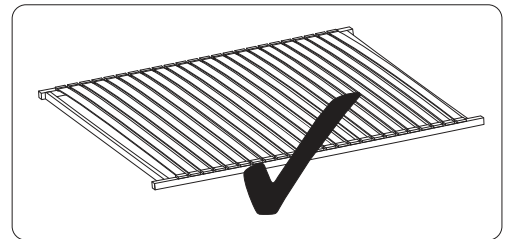
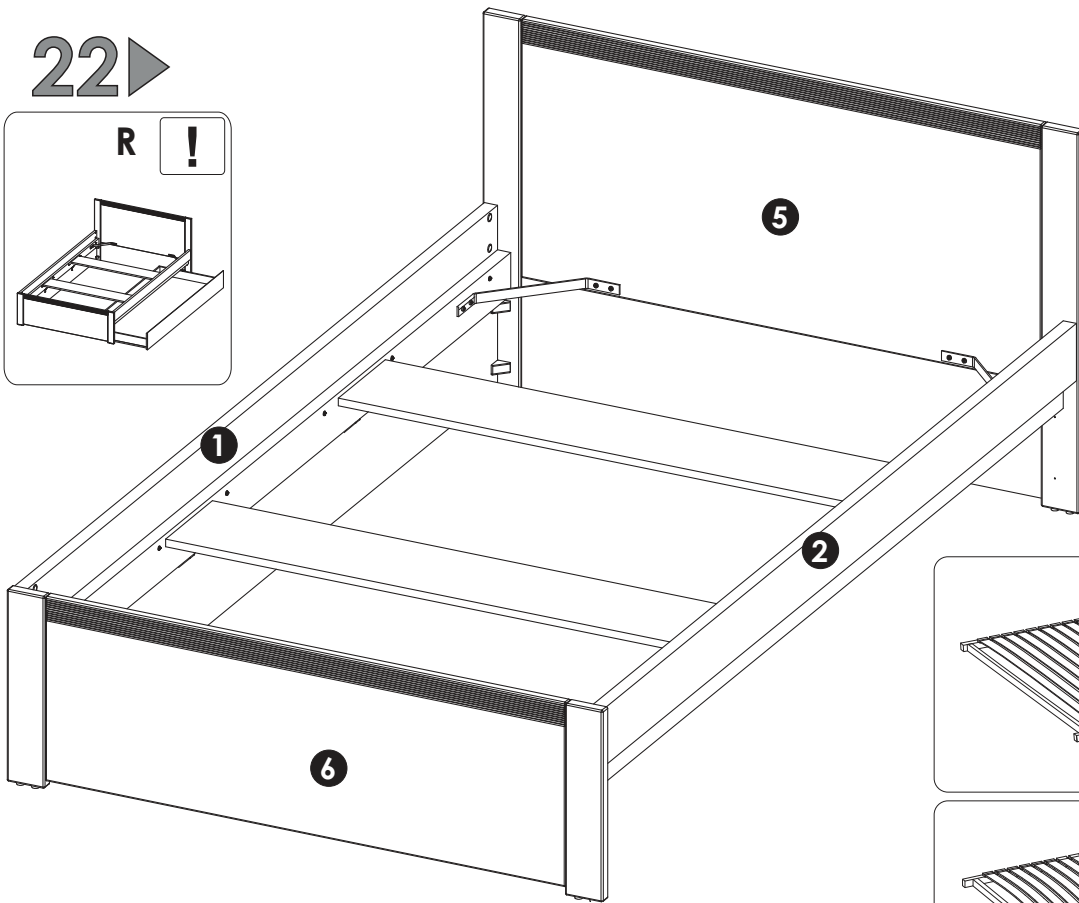
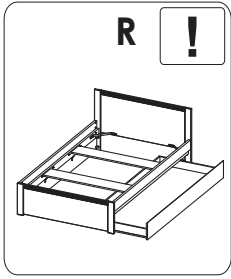
21▶



21-23



22 ▶



23 ▶

