
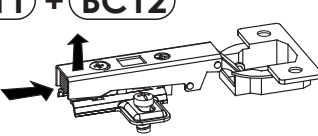

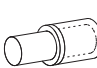


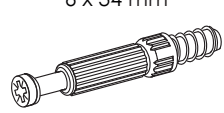

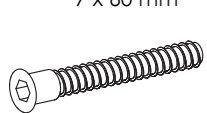
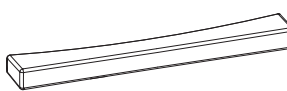
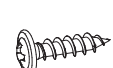


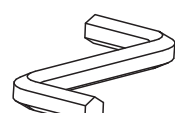

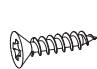

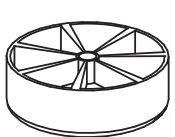


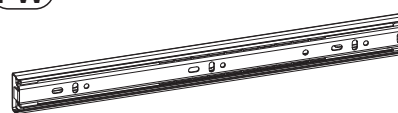
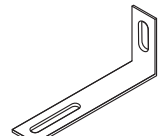
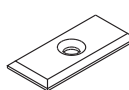
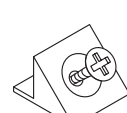
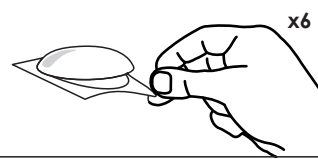

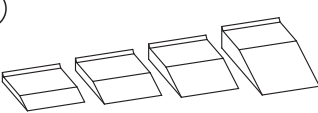
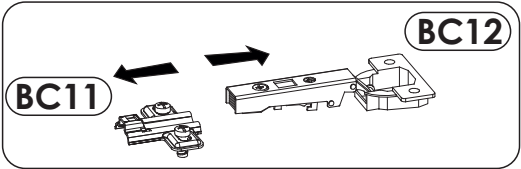
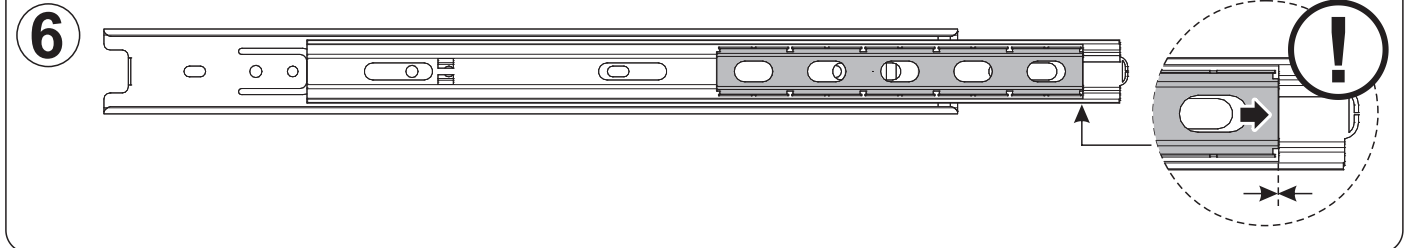
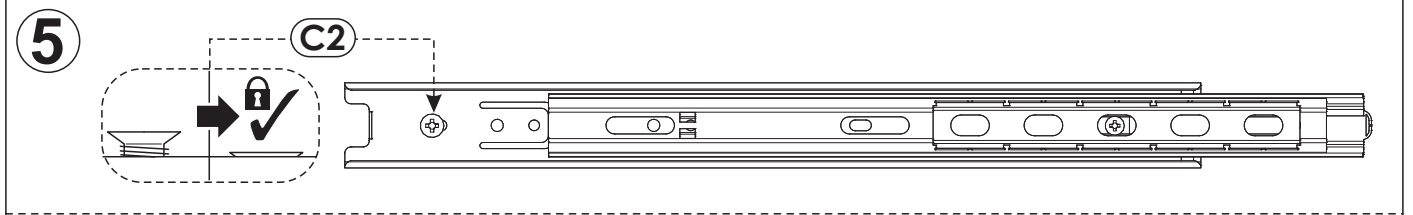
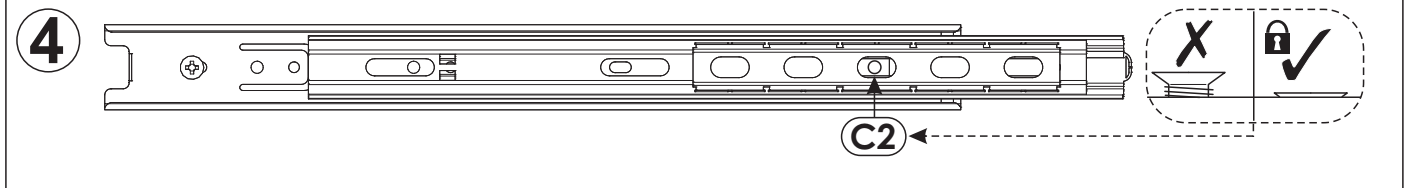
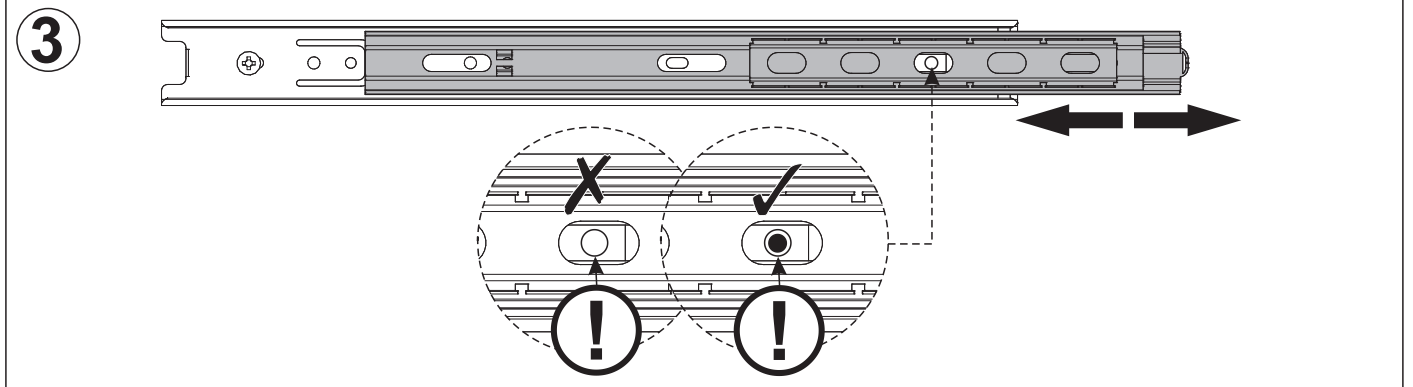
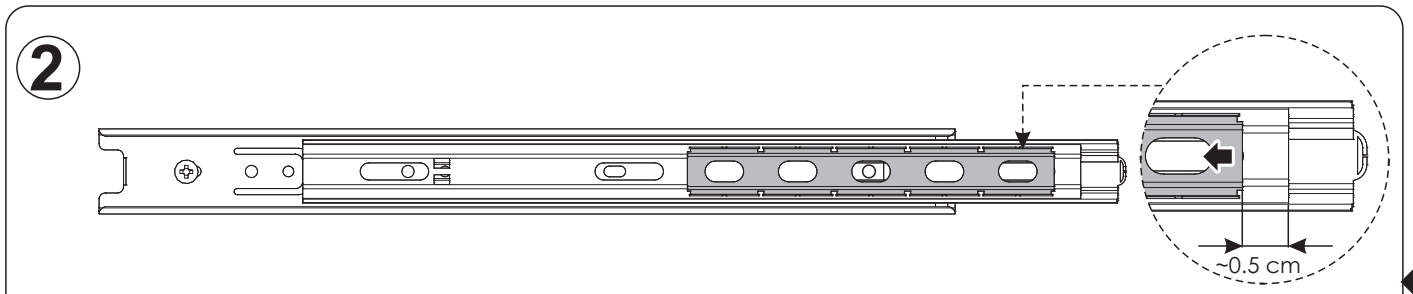
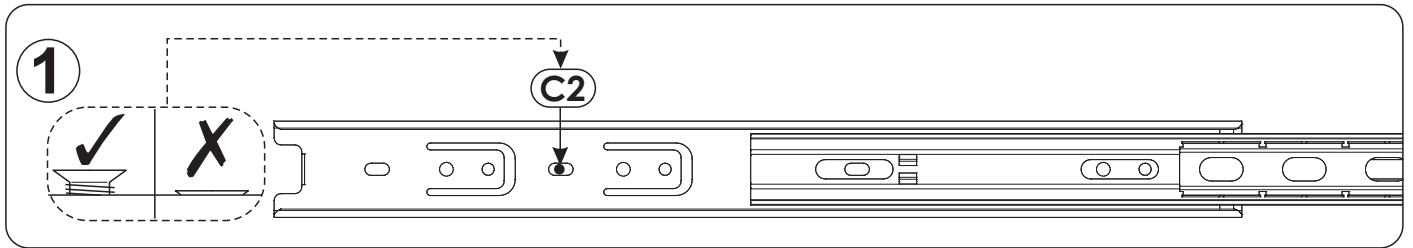
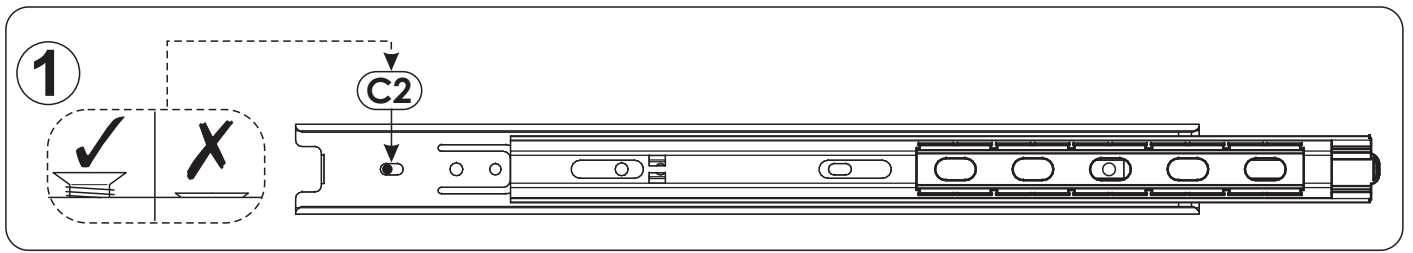
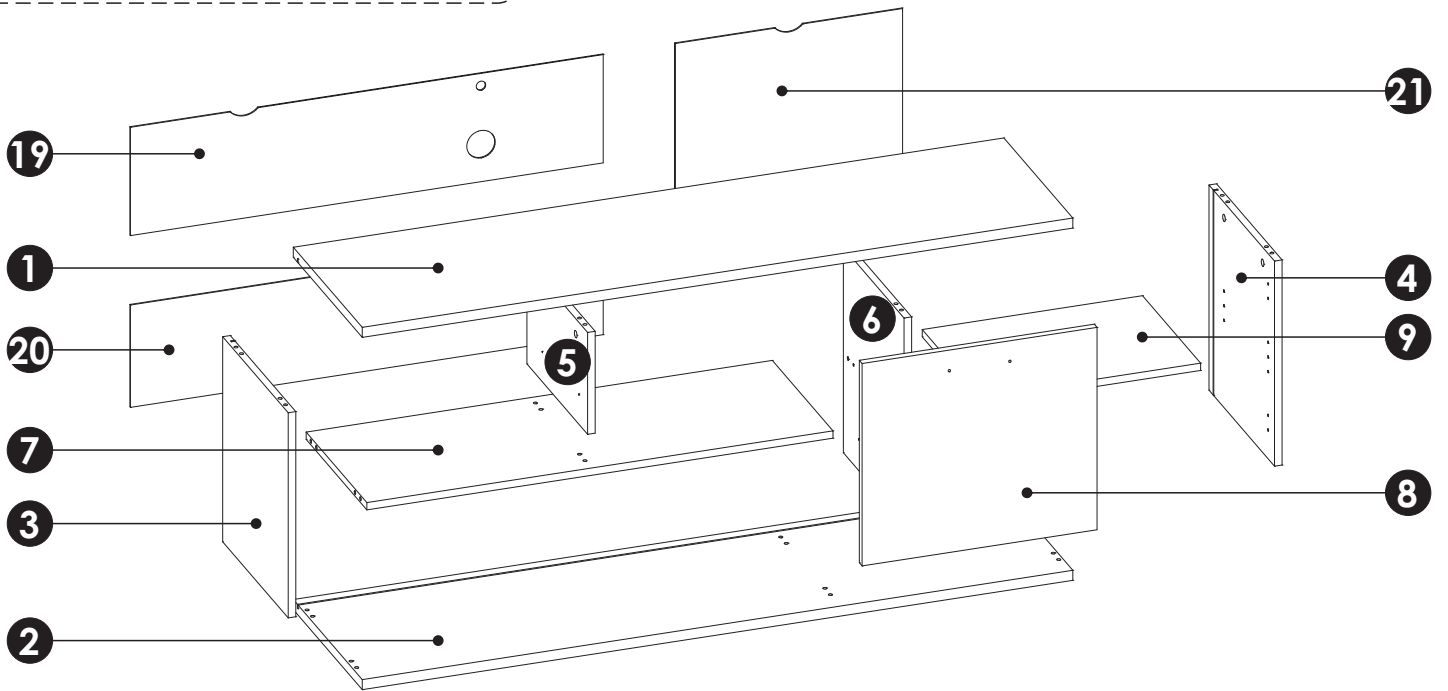
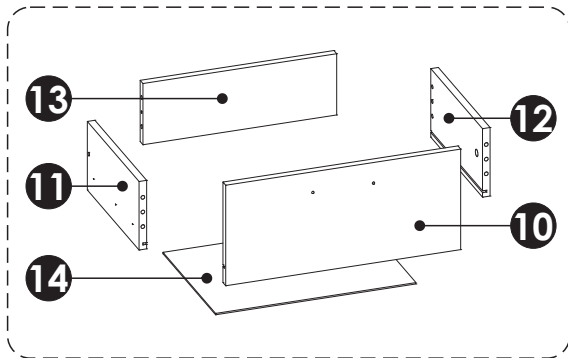
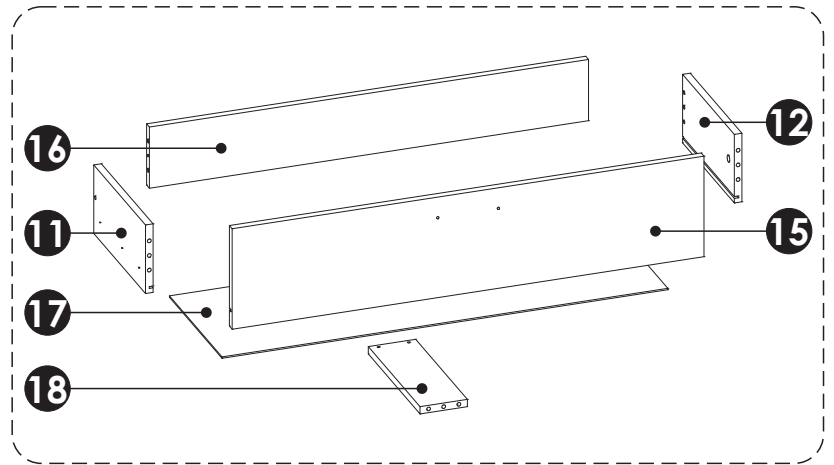
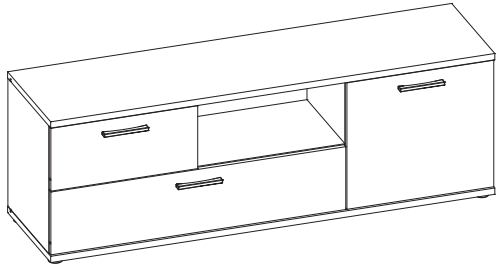


A1 8 x 35 mm x38 	BC11 + BC12 x2 	C2 5 x 13 mm x12 
D2 x4 	E0 Ø16 x8 	E1 15 x 12 mm x17 
F1 6 x 34 mm x17 	G1 7 x 50 mm x6 	G2 7 x 60 mm x6 
H1 L-150 mm x3 	I2 4 x 16 mm x2 	I3 3,5 x 22 mm x5 
I12 4 x 27 mm x6 	M x1 	N1 3 x 16 mm x20 
N5 3,5 x 16 mm x12 	N9 3,5 x 40 mm x2 	O1 x5 
P15 x1 	P24 x1 	PW L - 300 mm x4 
Q9 x2 	R1 x8 	R4 x14 
R8 x6 	S13 x2  Ø8	Z x1 



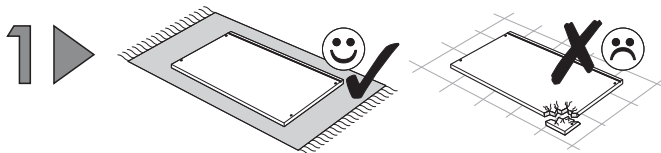
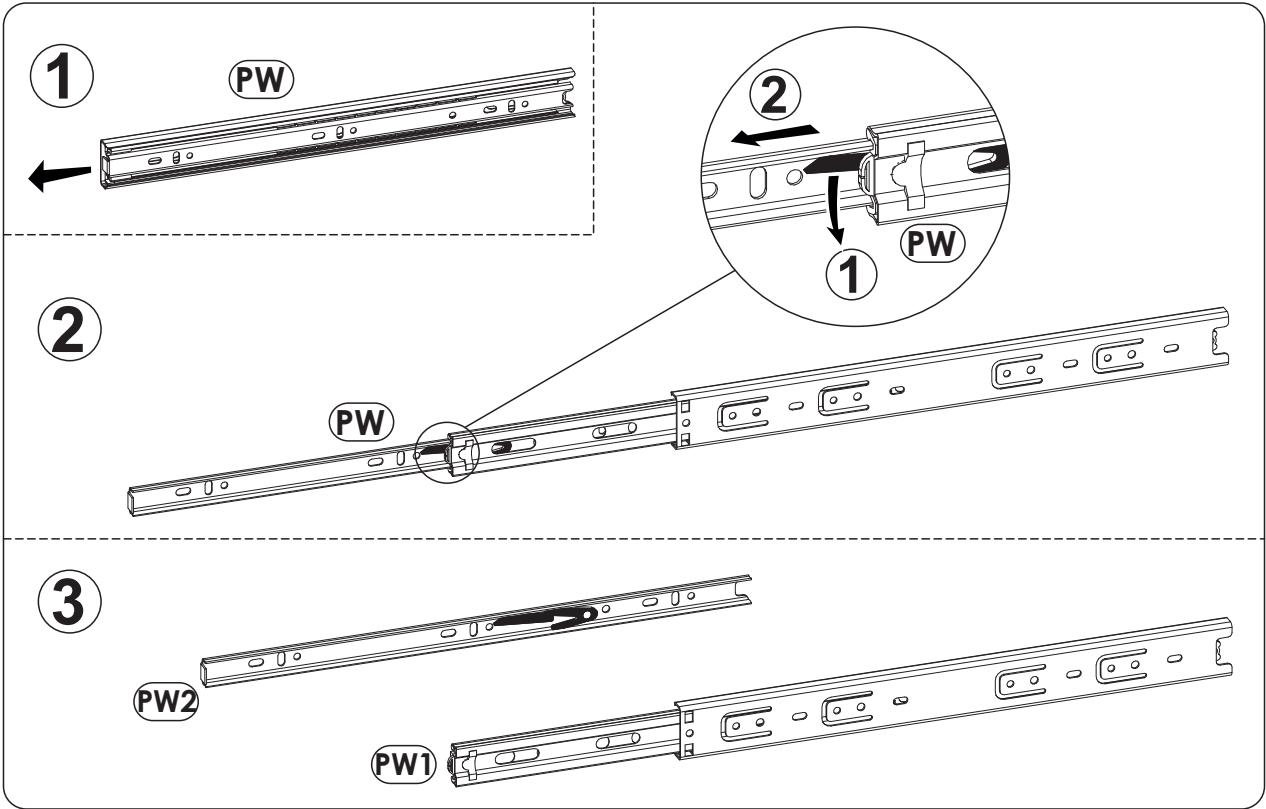
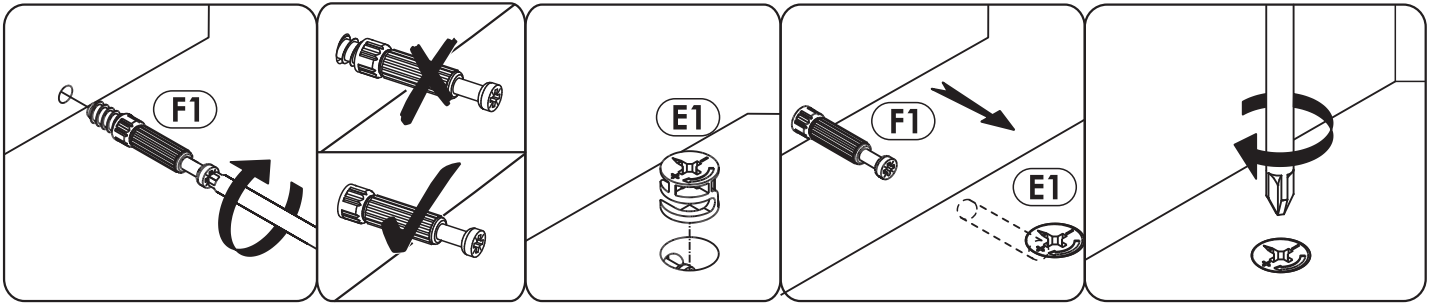




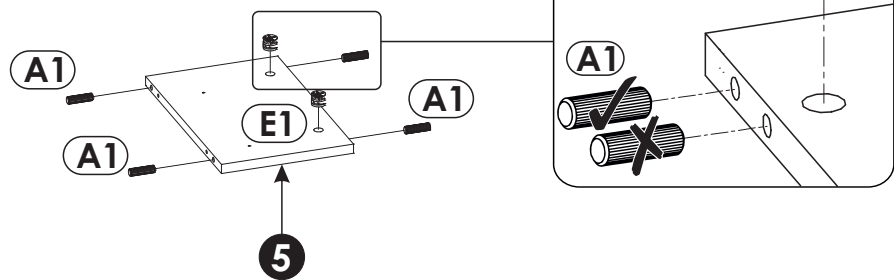
1	1500	400	22	x1	2/2
2	1500	400	22	x1	2/2
3	449	380	16	x1	1/2
4	449	380	16	x1	1/2
5	223	352	16	x1	1/2
6	449	352	16	x1	1/2
7	984	352	16	x1	1/2

8	496	443	16	x1	1/2
9	465	337	16	x1	1/2
10	496	220	16	x1	1/2
11	300	150	16	x2	1/2
12	300	150	16	x2	1/2
13	409	134	16	x1	1/2
14	423	305	3	x1	2/2

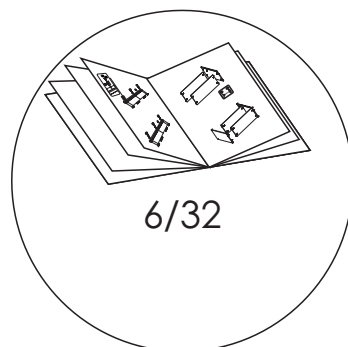
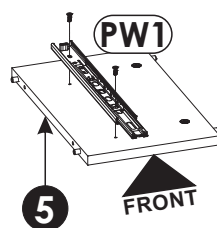
15	996	220	16	x1	1/2
16	927	134	16	x1	1/2
17	941	305	3	x1	2/2
18	300	100	16	x1	1/2
19	998	237	3	x1	1/2
20	998	224	3	x1	1/2
21	480	463	3	x1	1/2

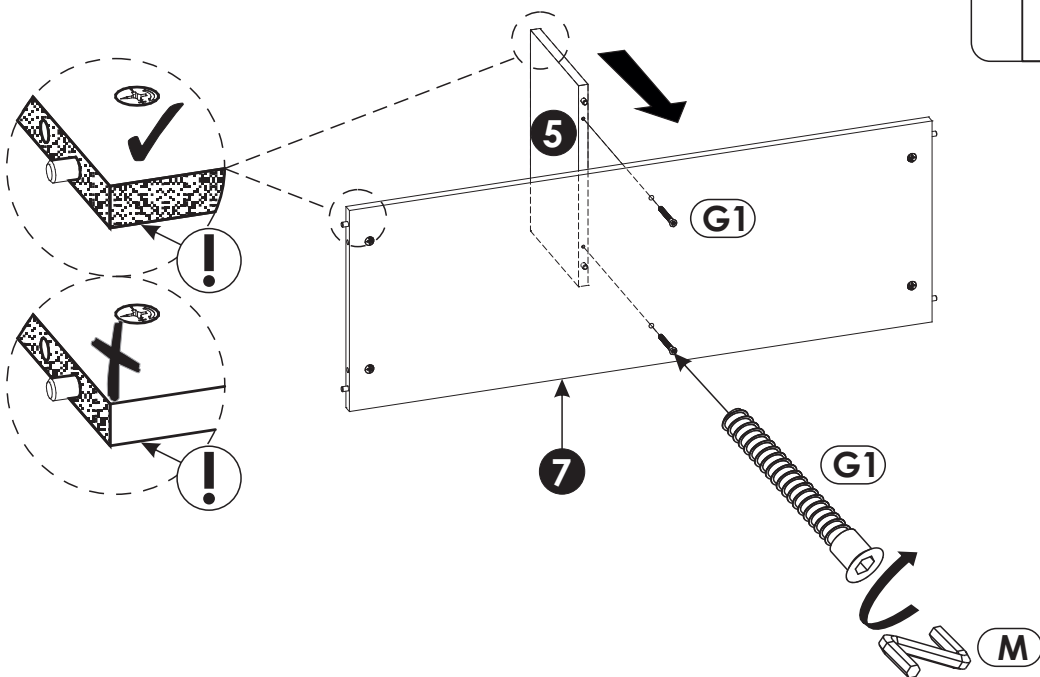
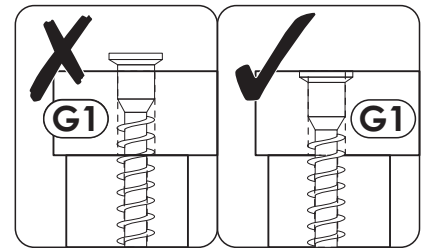
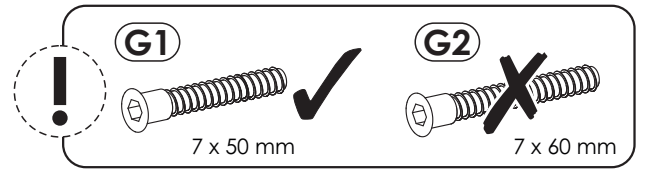
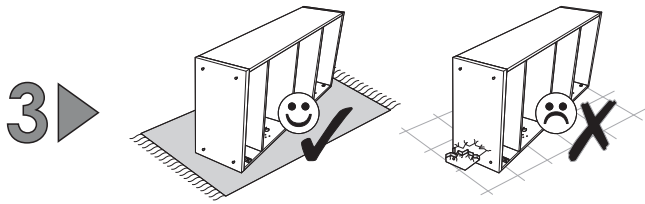
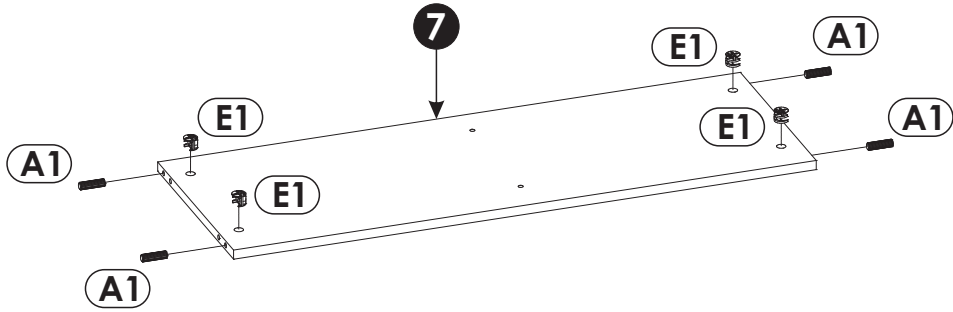
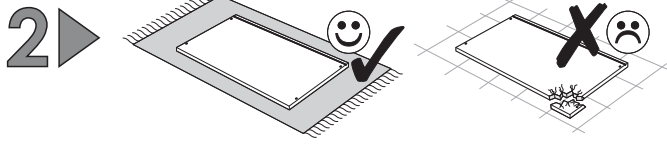


a)

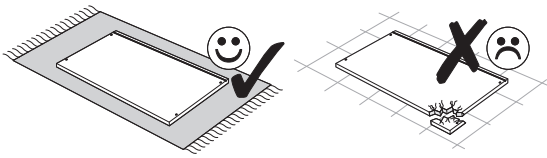


b)

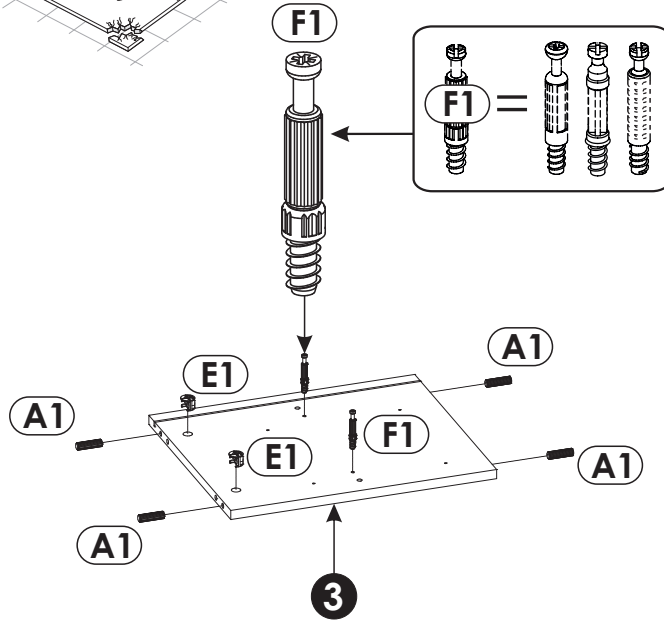




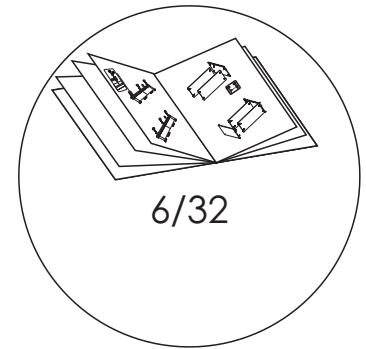
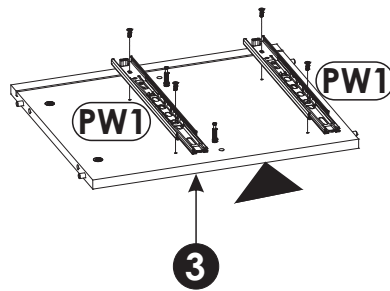
4 ▶



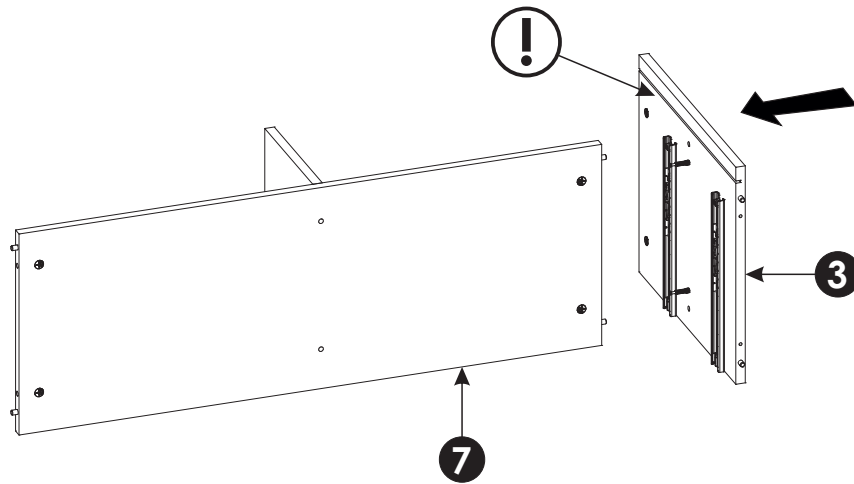
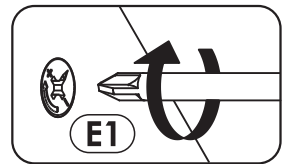
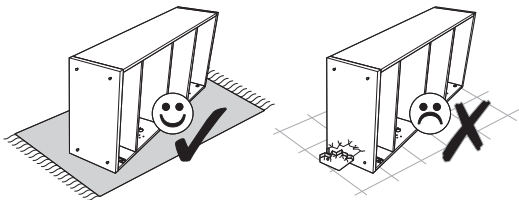
a)

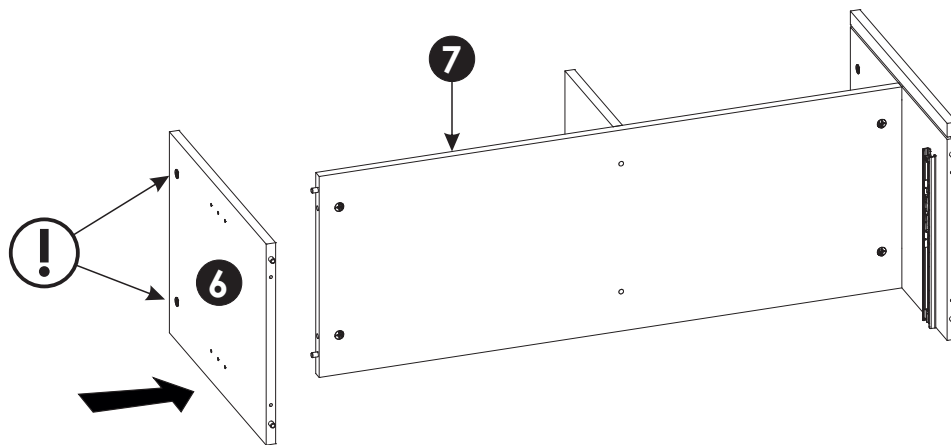
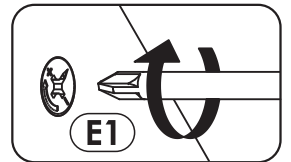
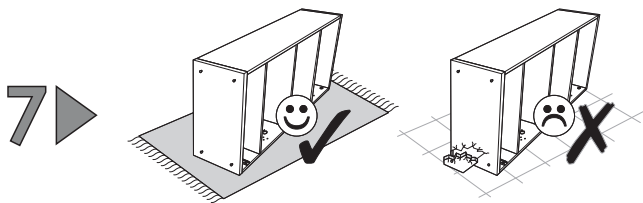
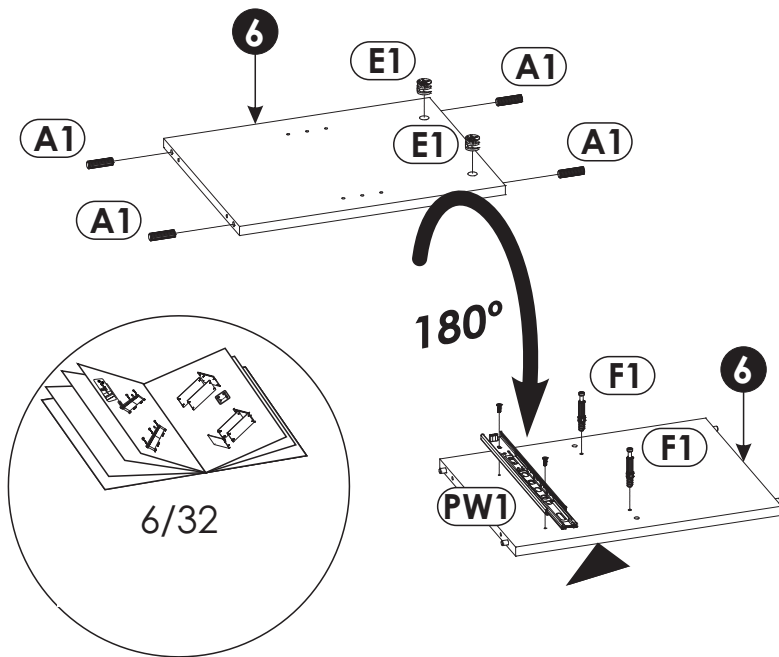
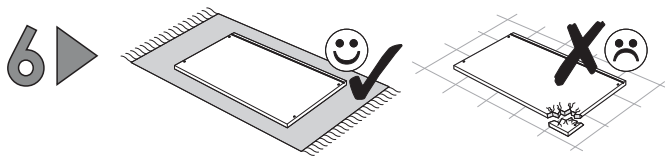


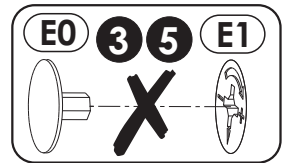
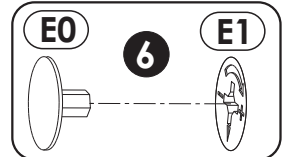
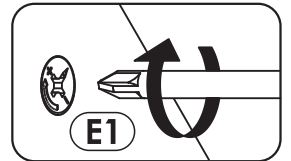
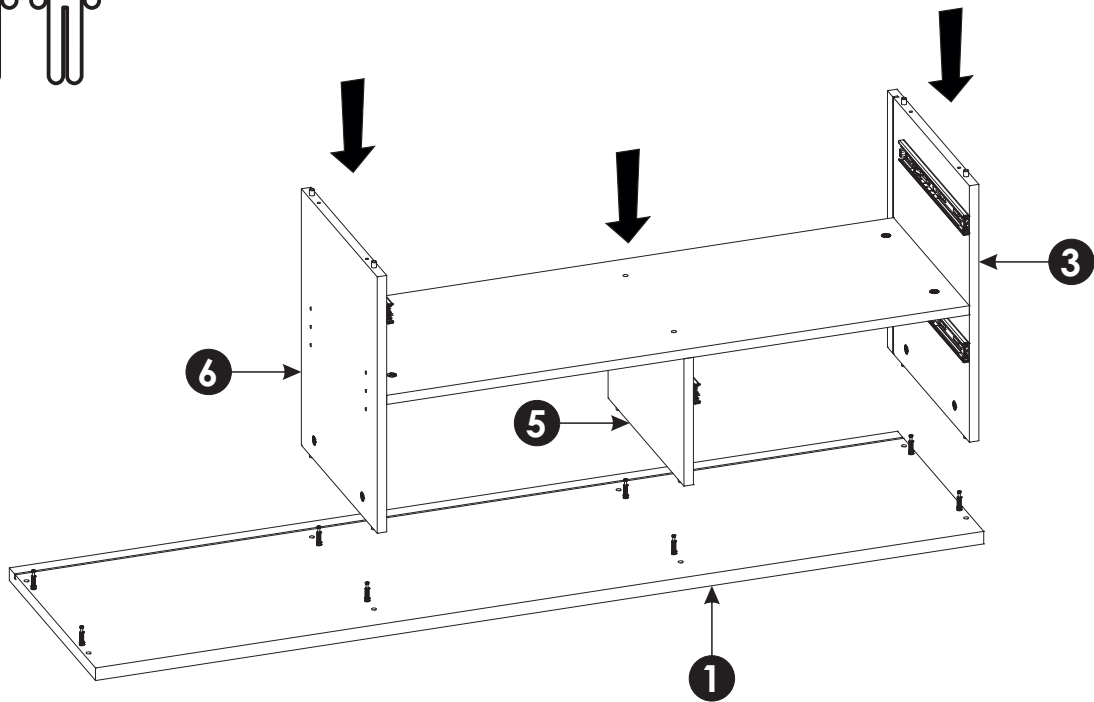
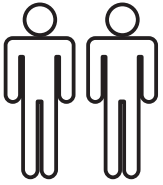
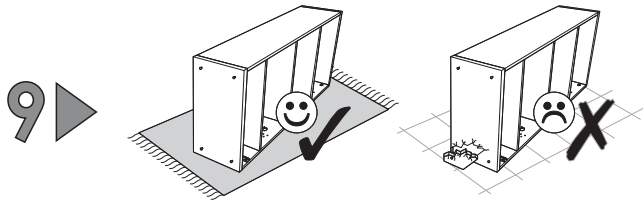
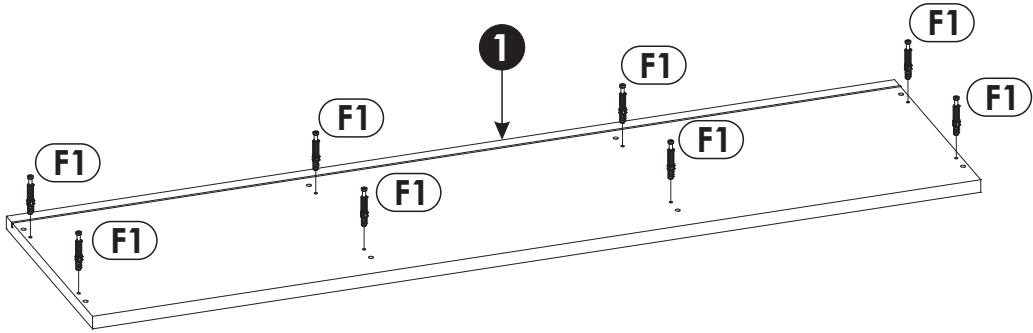
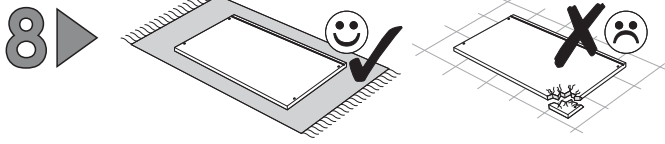
b)



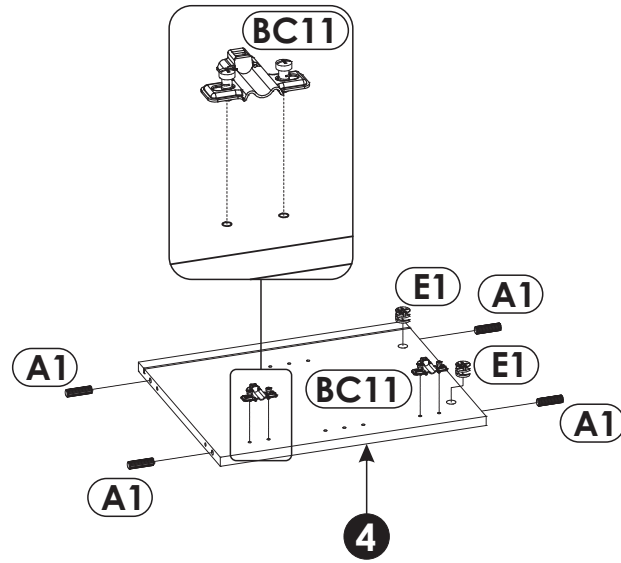
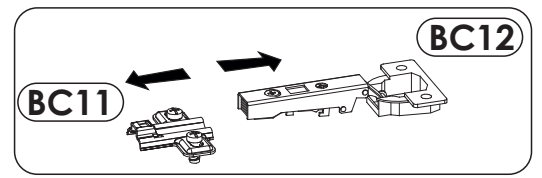
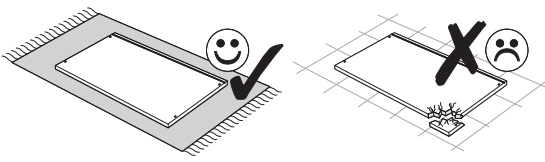
5 ▶



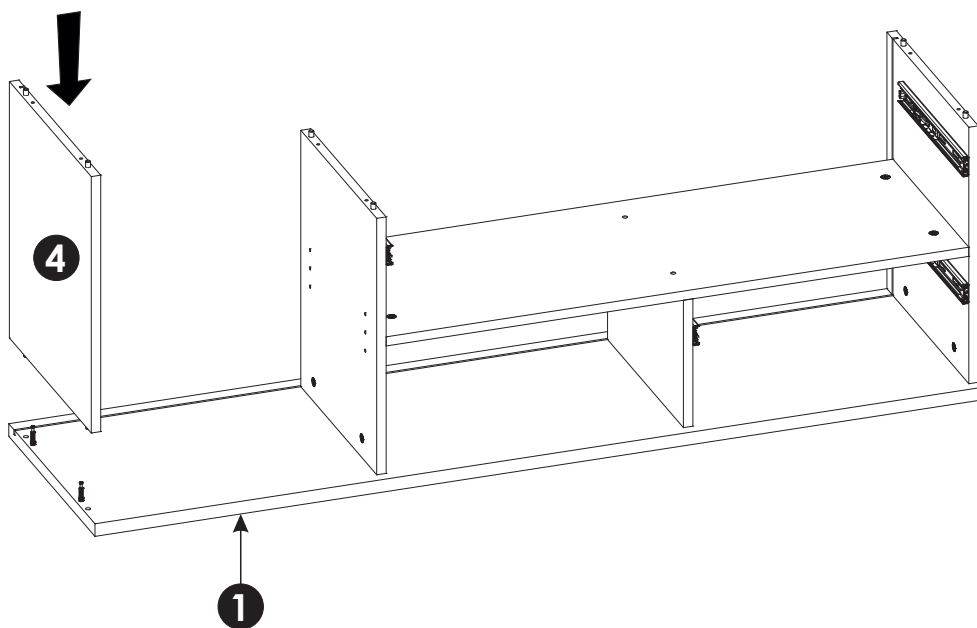
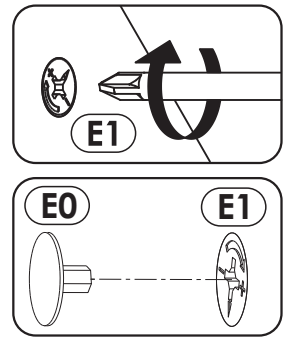
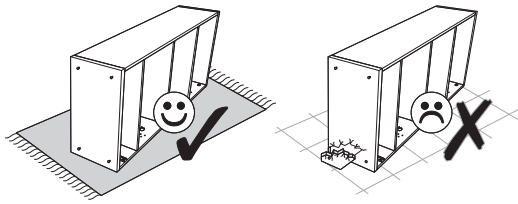




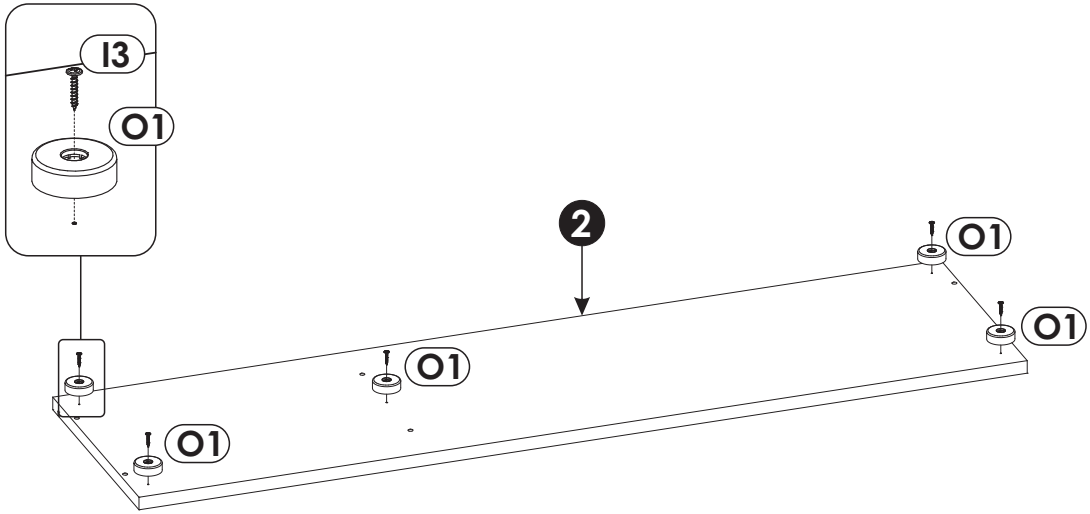
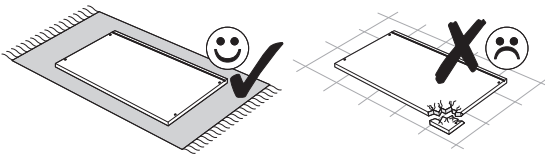
10 ▶



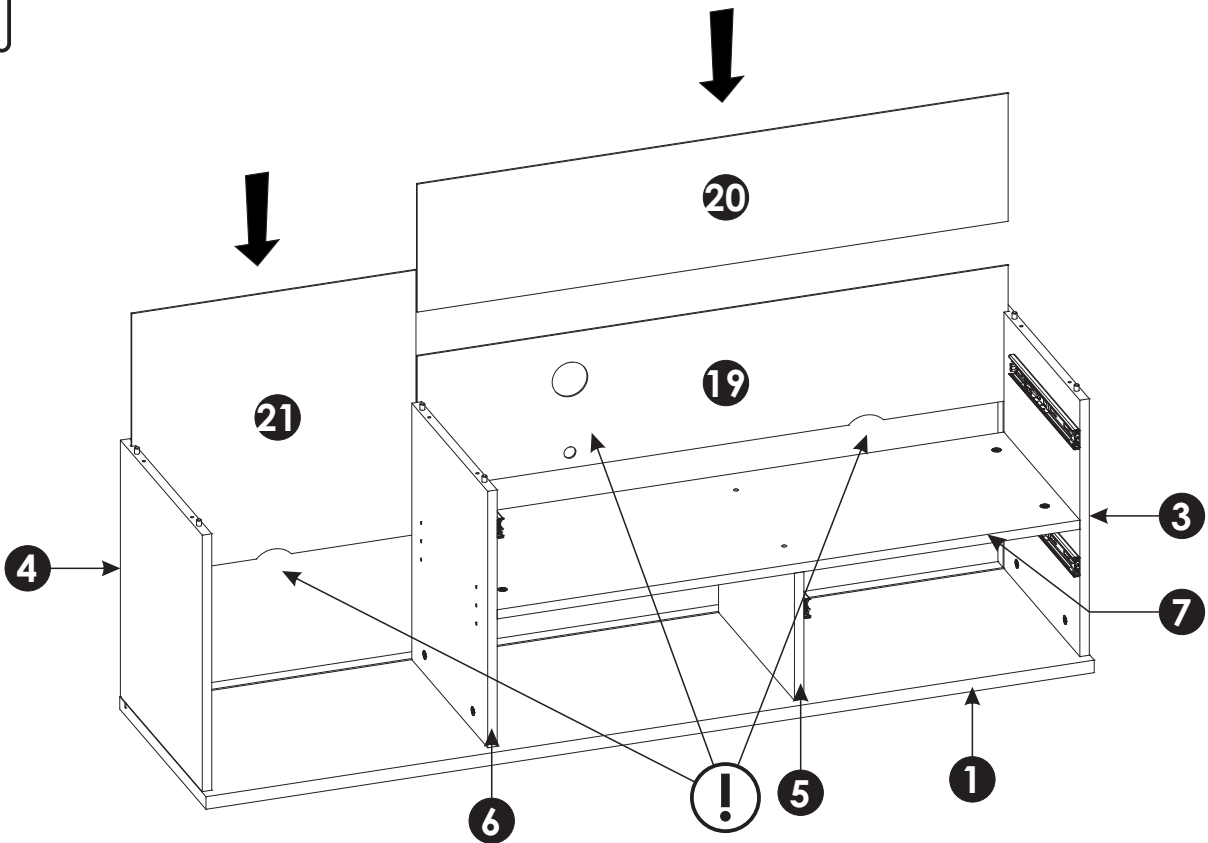
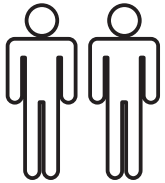
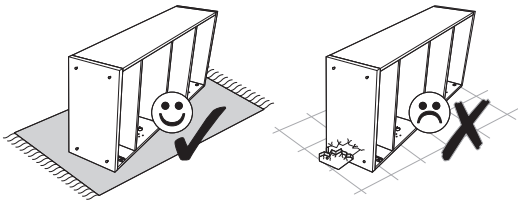
11 ▶



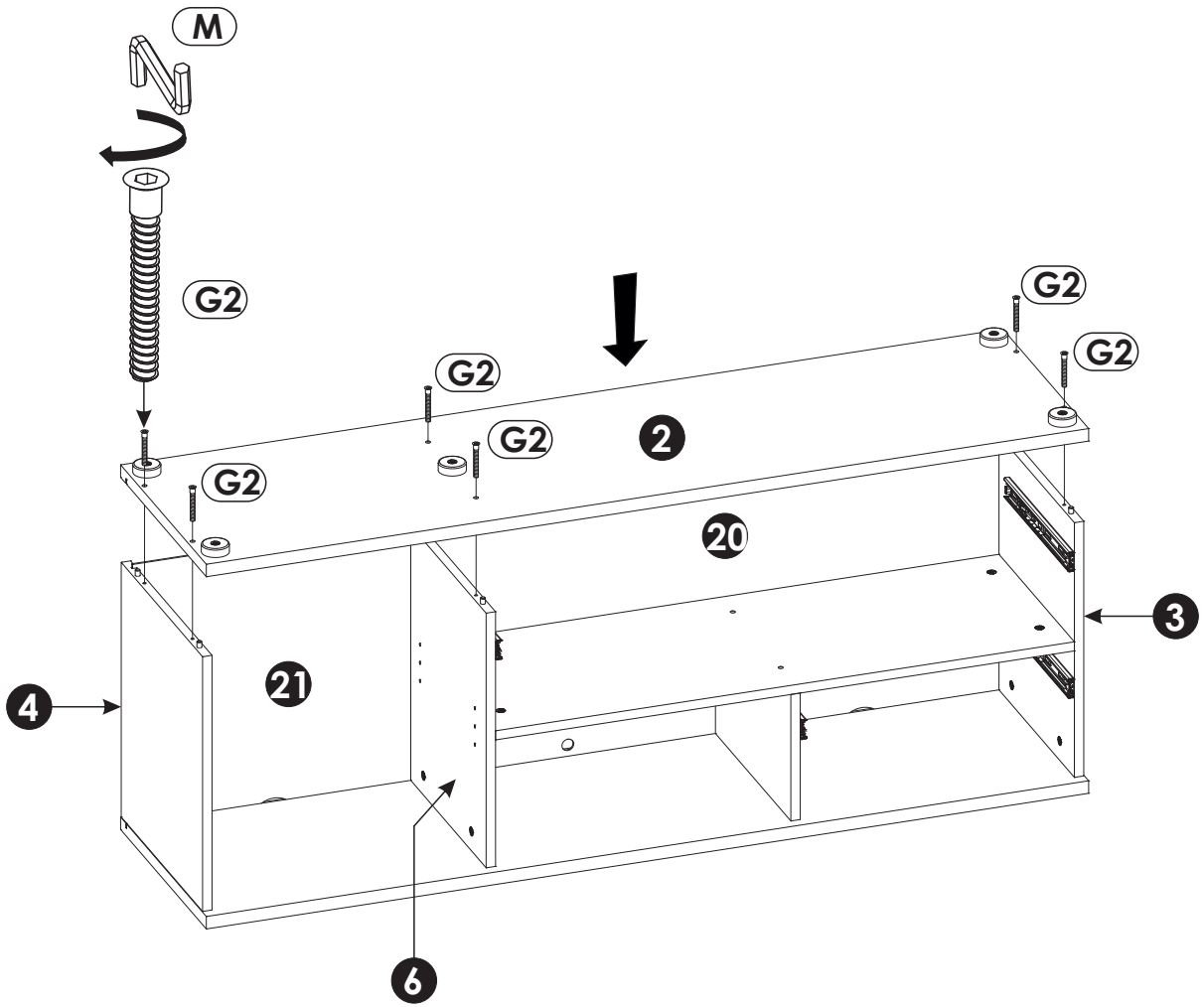
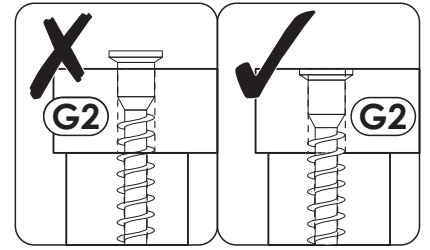
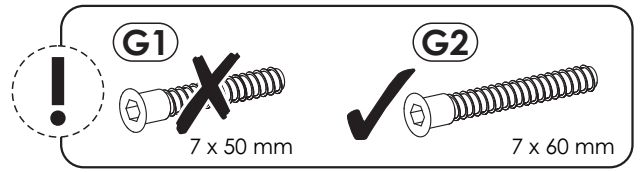
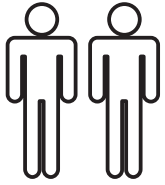
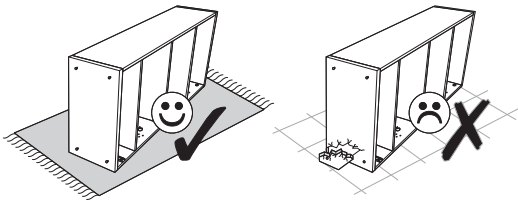
12 ▶



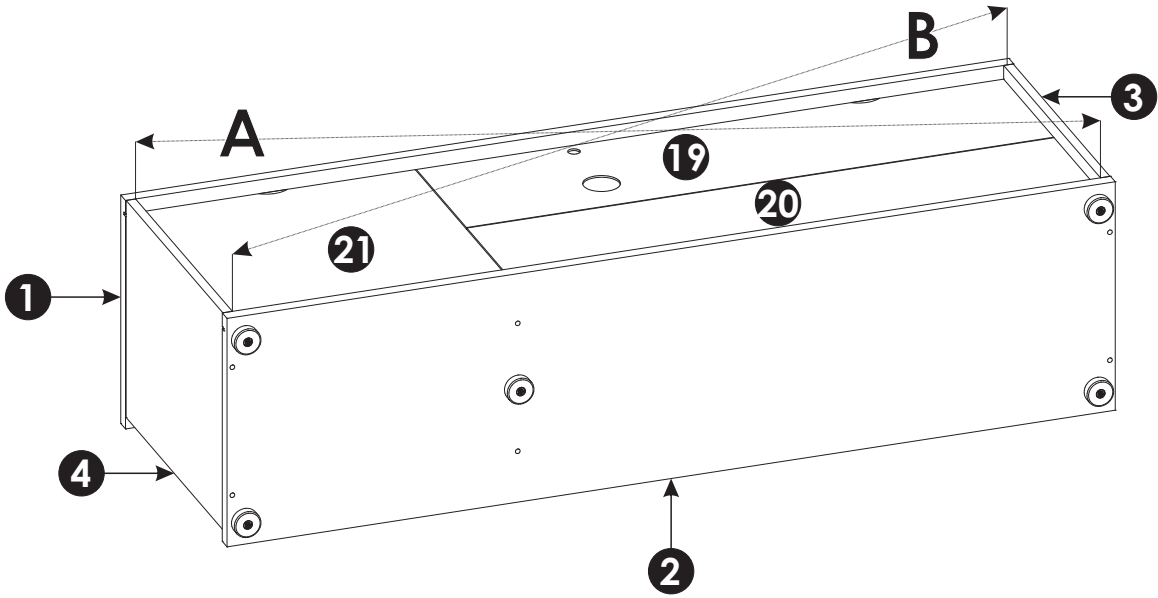
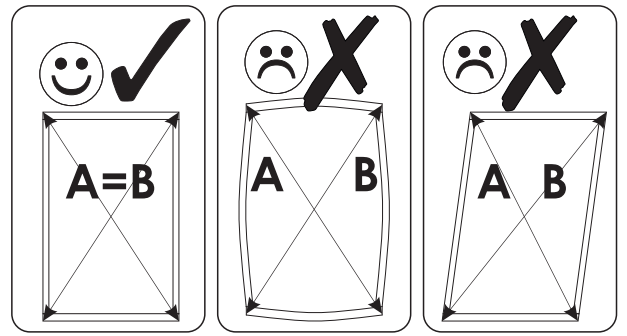
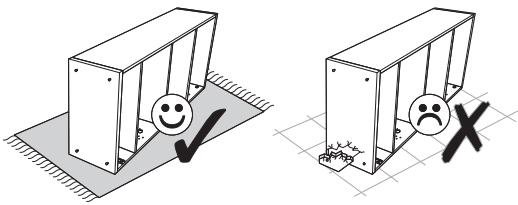
13 ▶



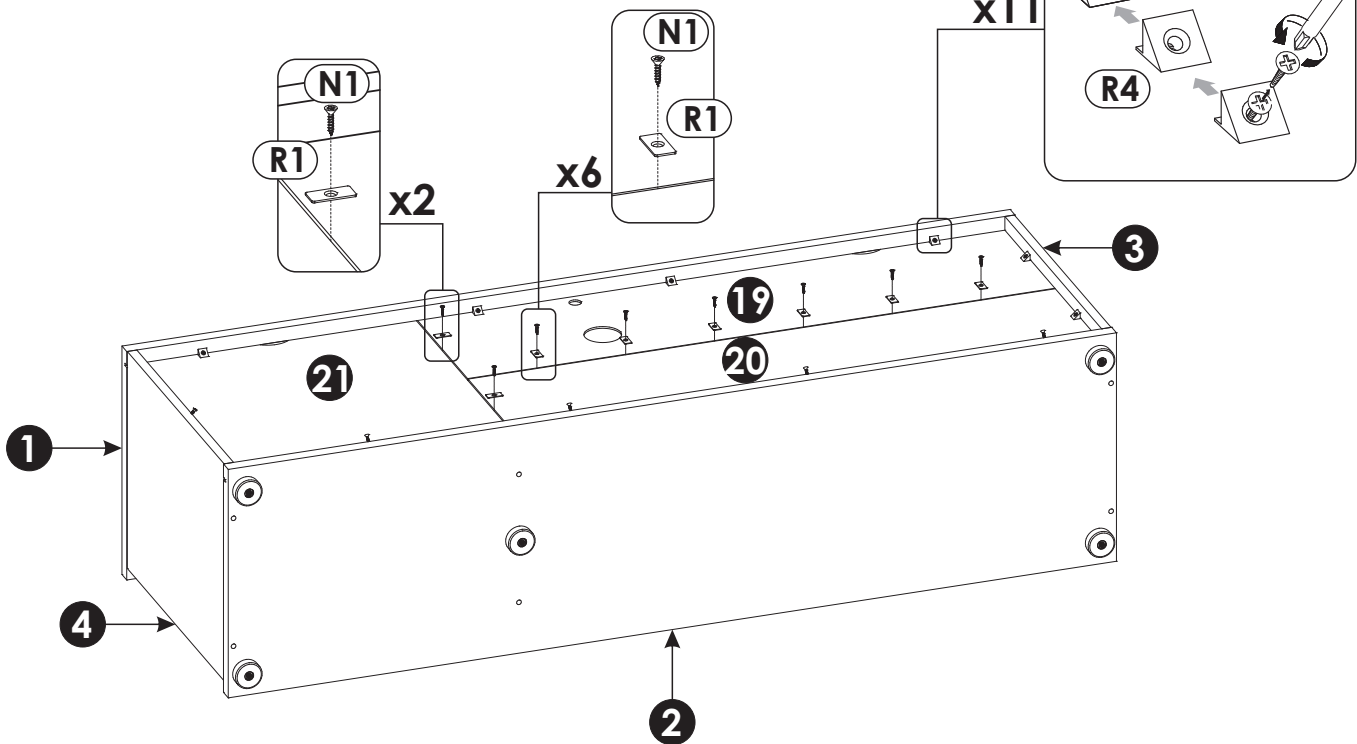
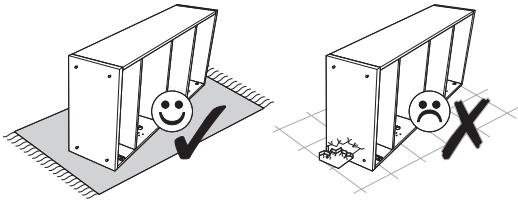
14 ▶

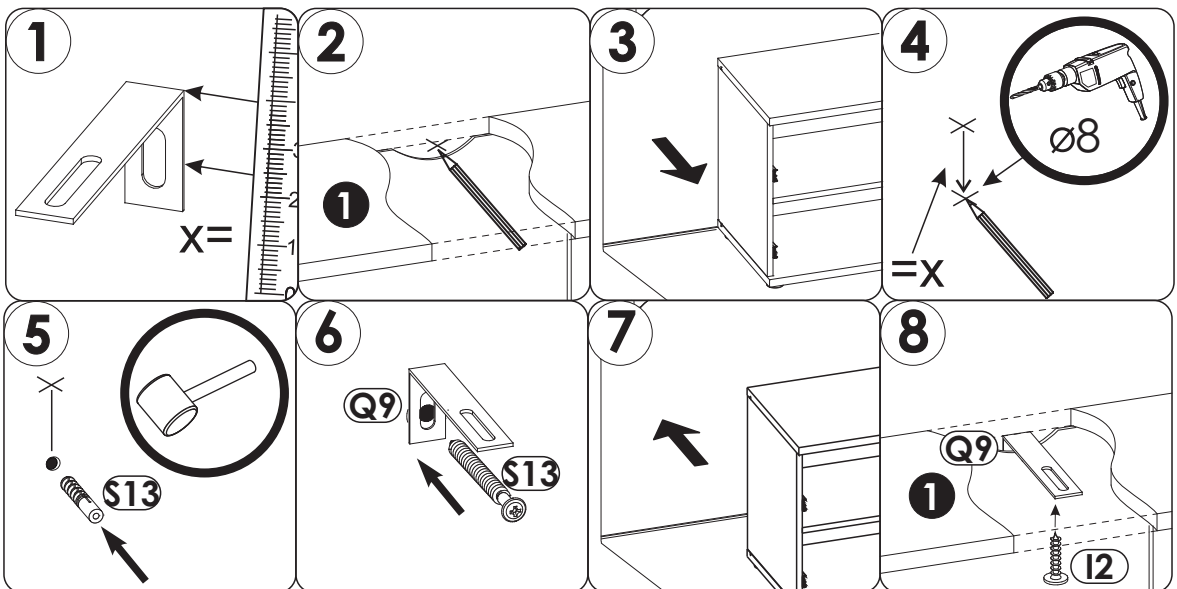
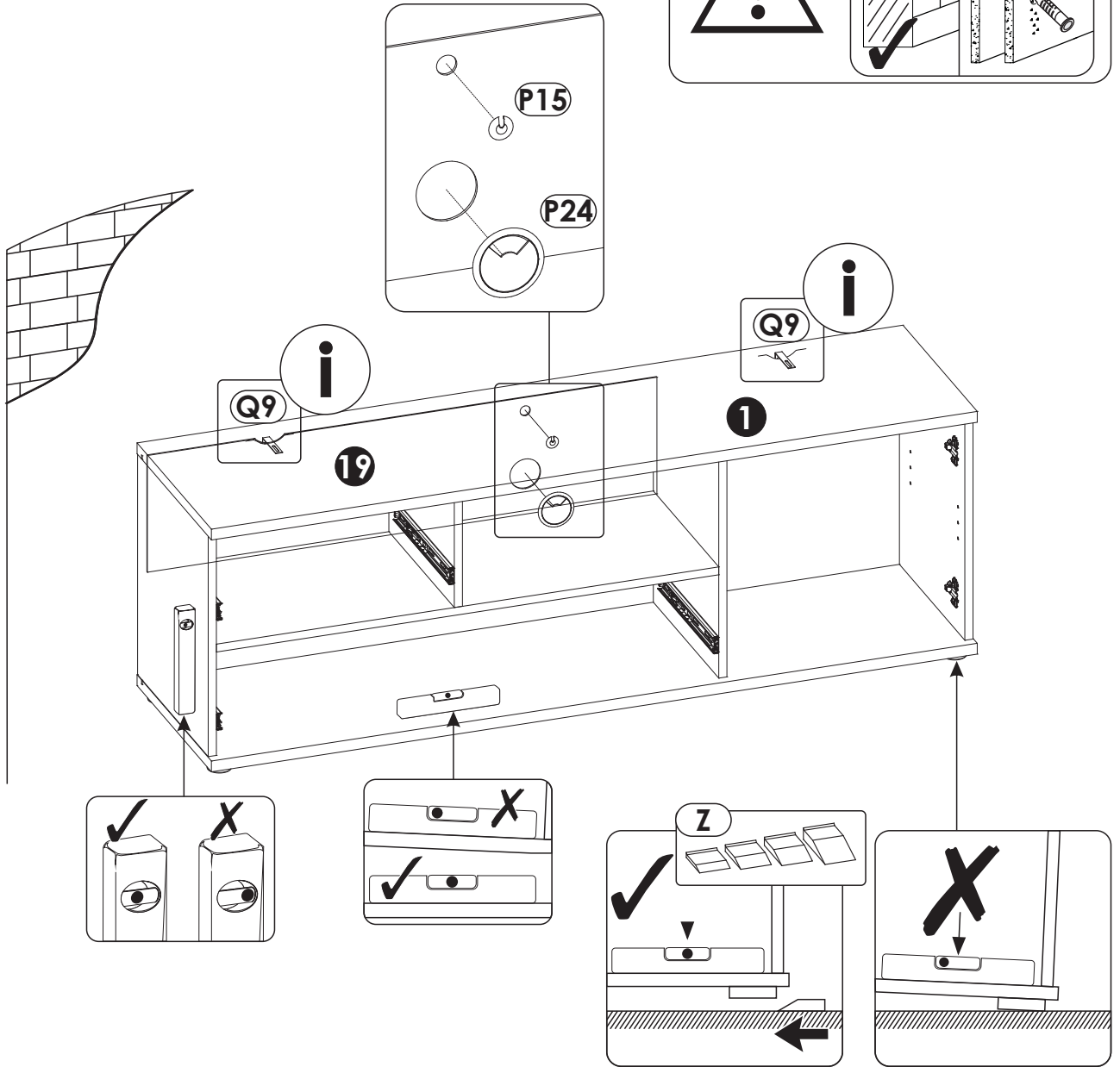
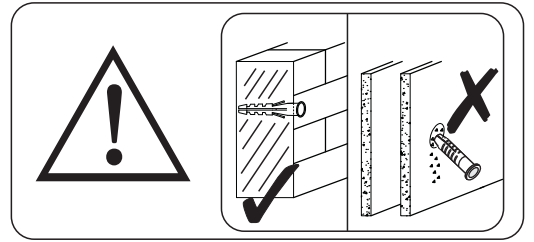


15▶

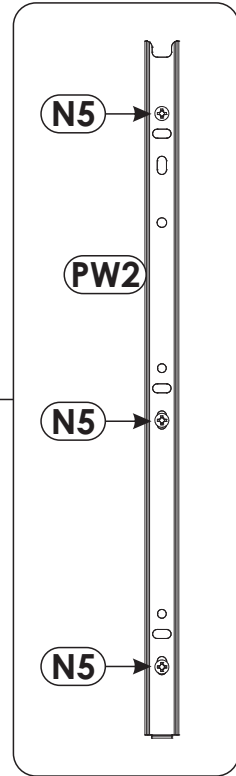
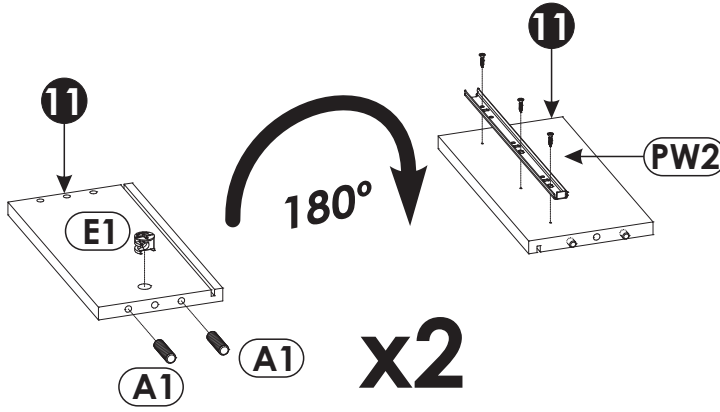
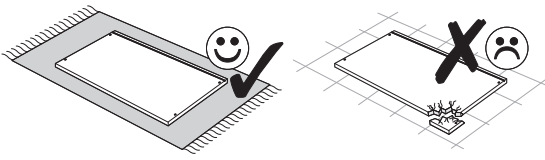


16▶

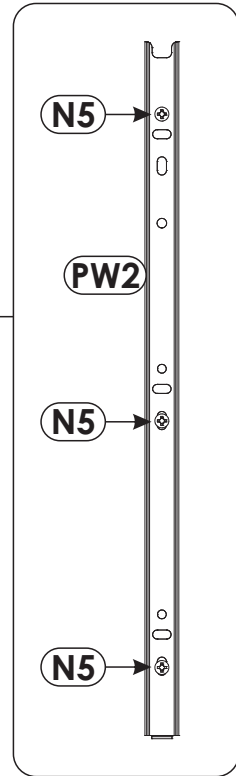
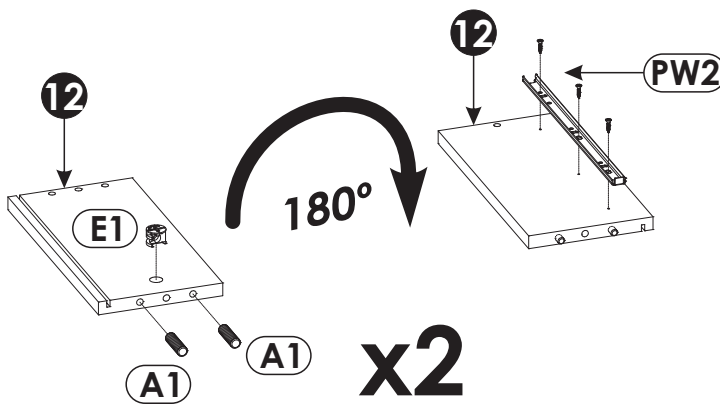
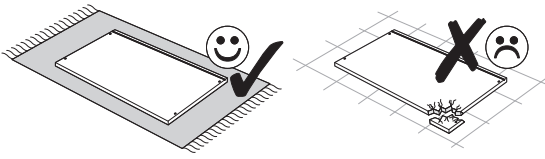




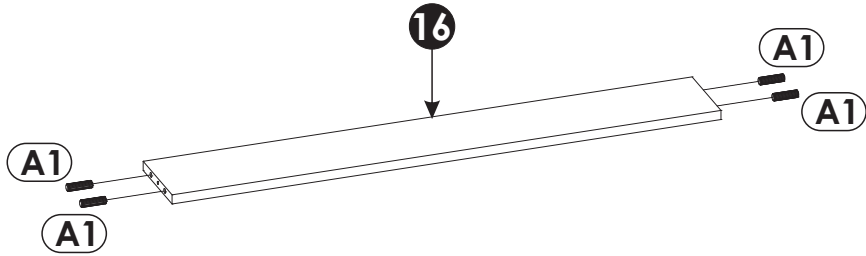
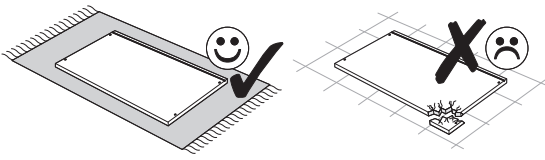
18▶



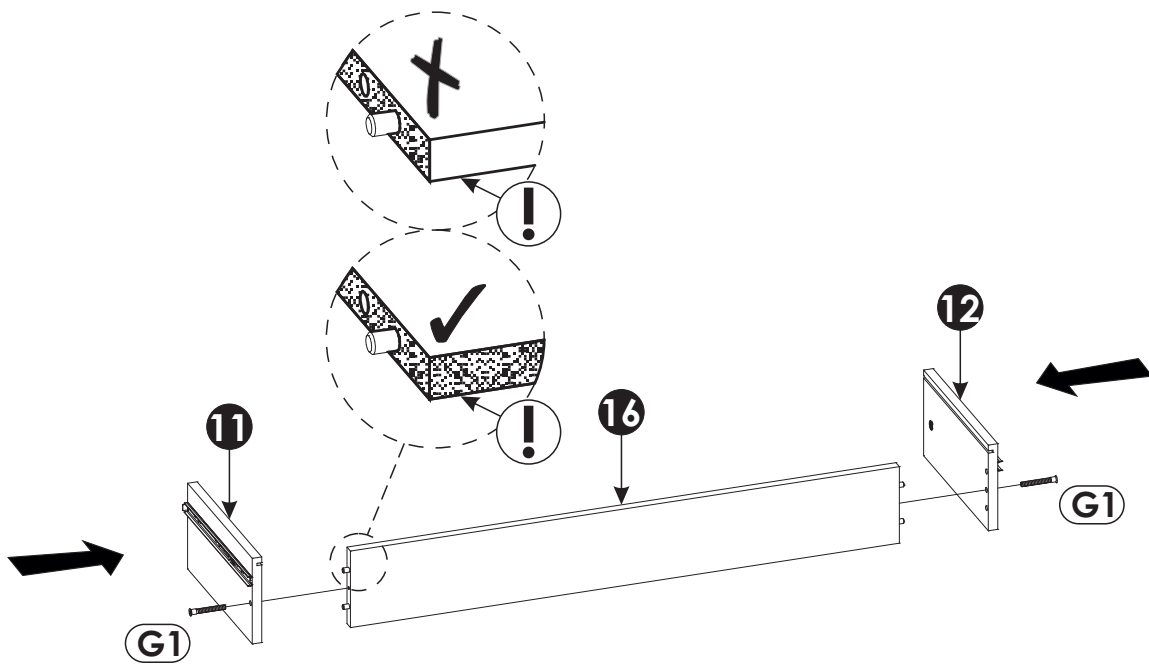
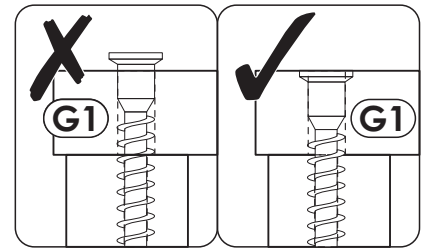
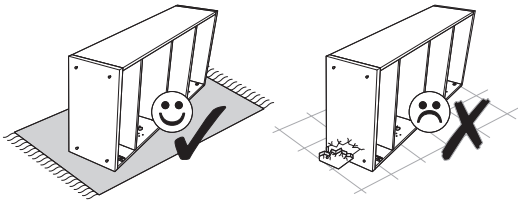
19▶



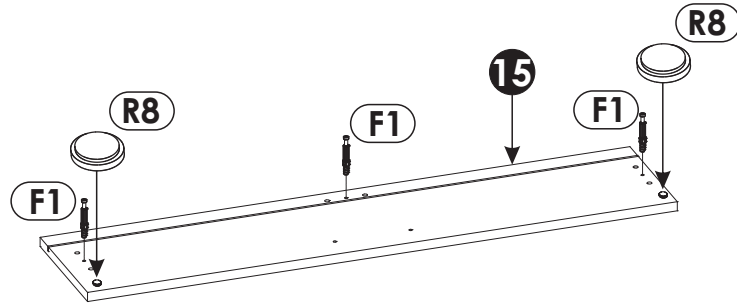
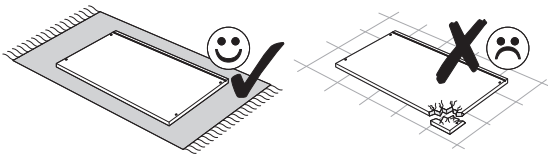
20 ▶



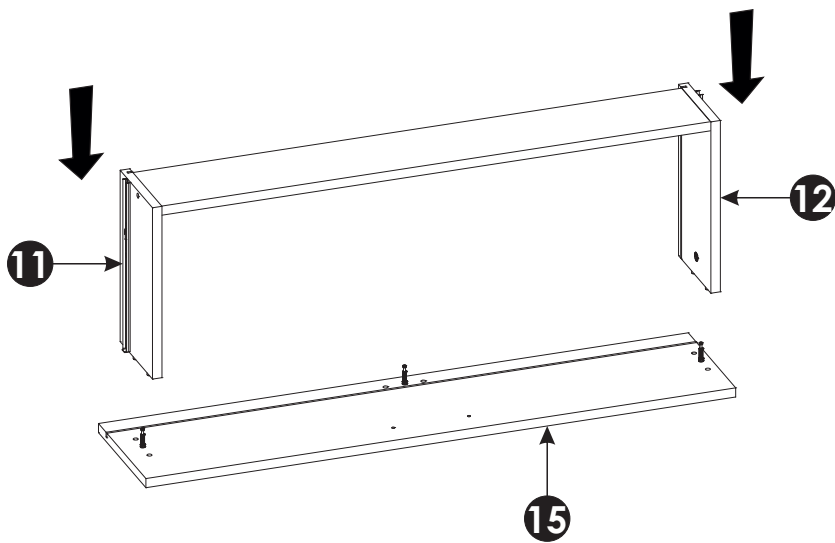
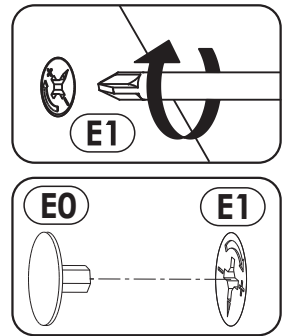
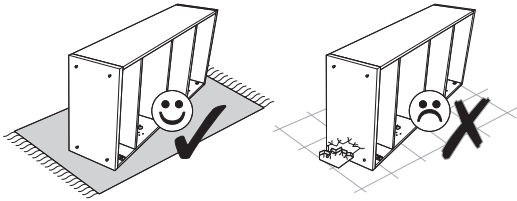
21 ▶



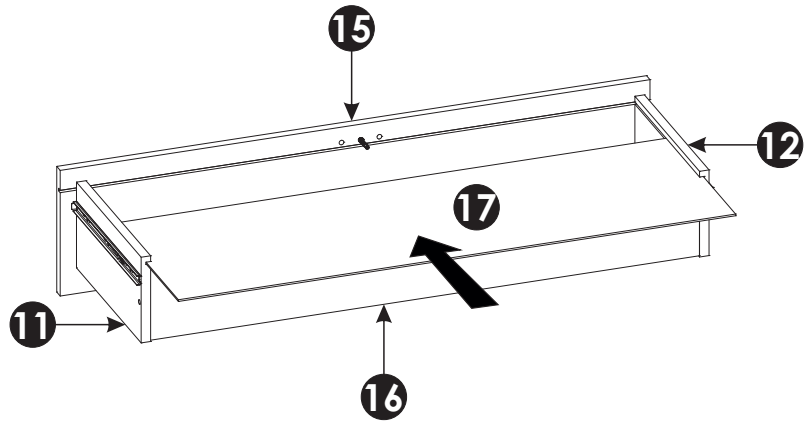
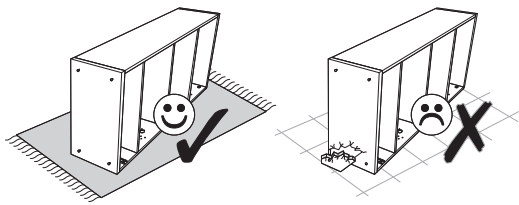
22 ▶



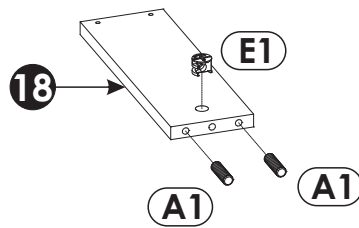
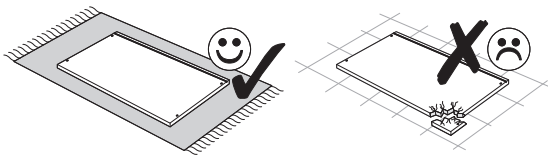
23 ▶



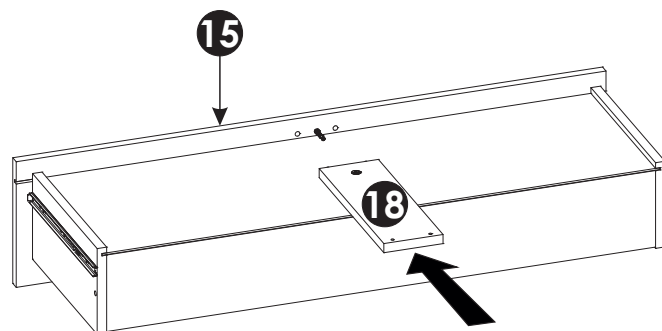
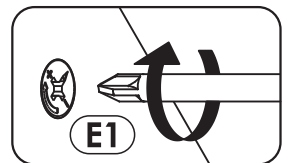
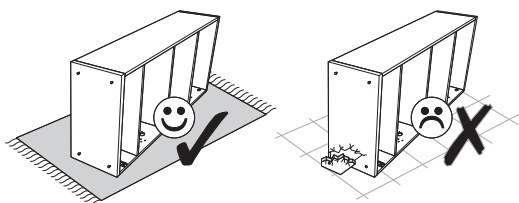
24 ▶



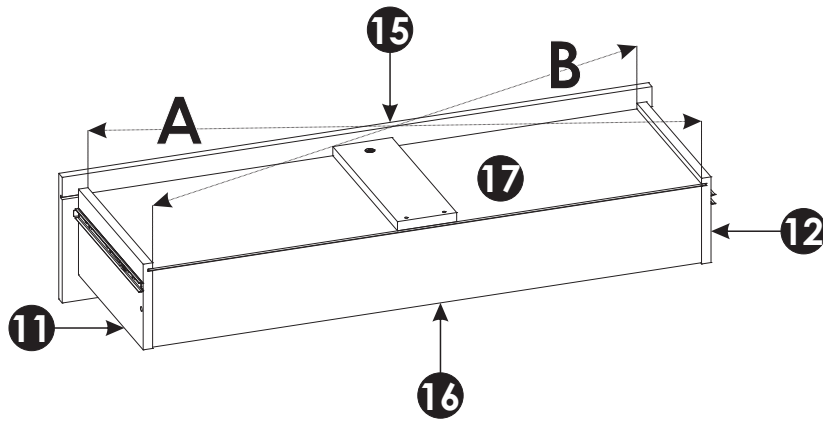
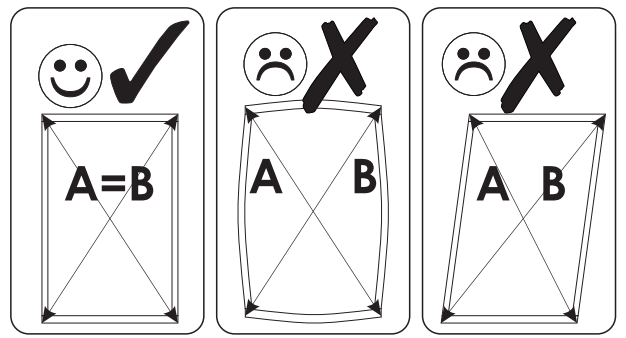
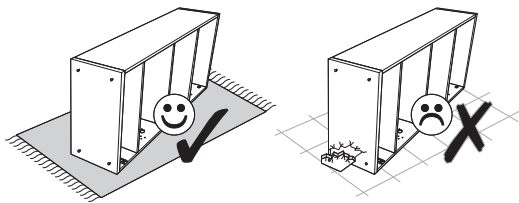
25 ▶



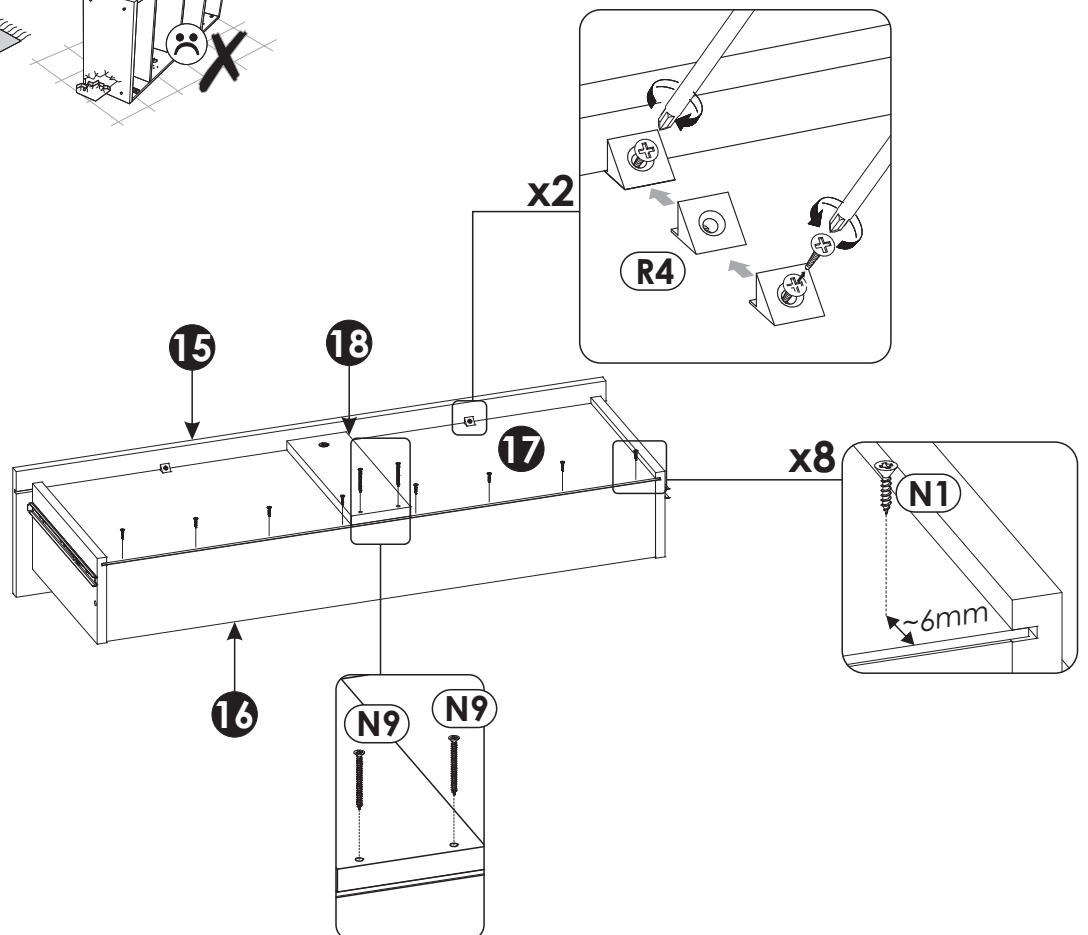
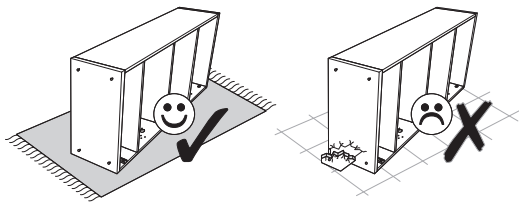
26 ▶



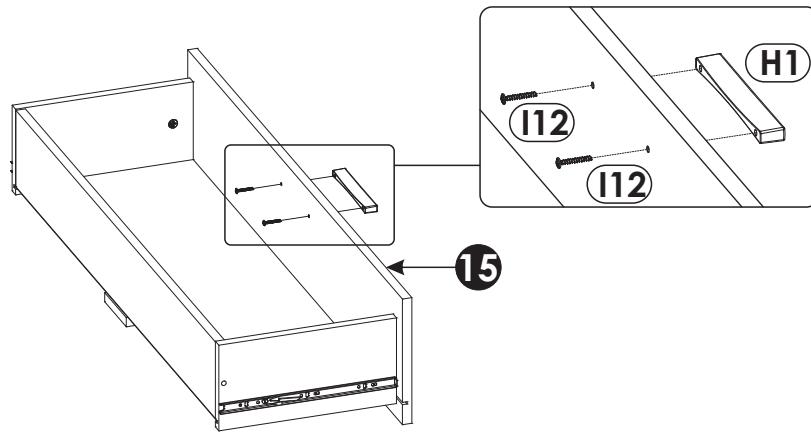
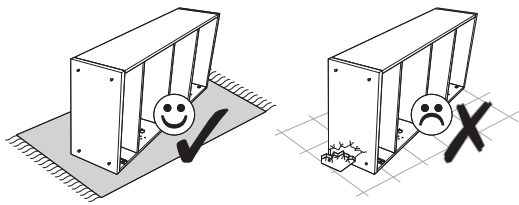
27 ▶



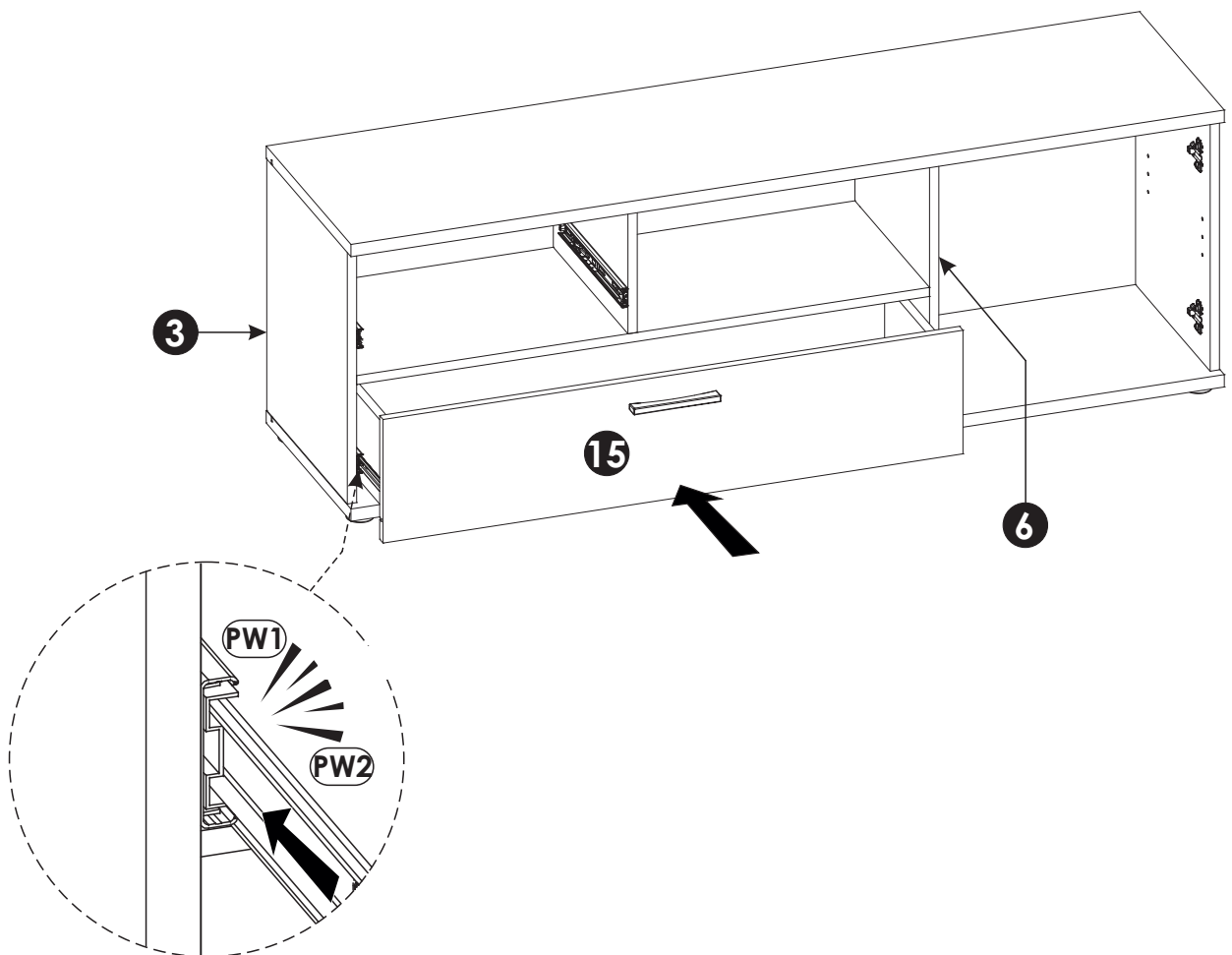
28 ▶



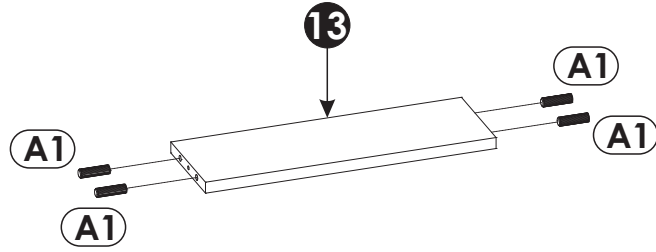
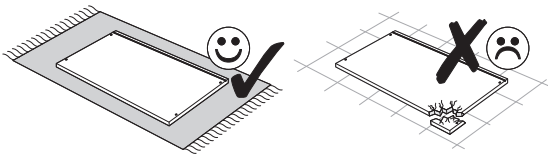
29 ▶



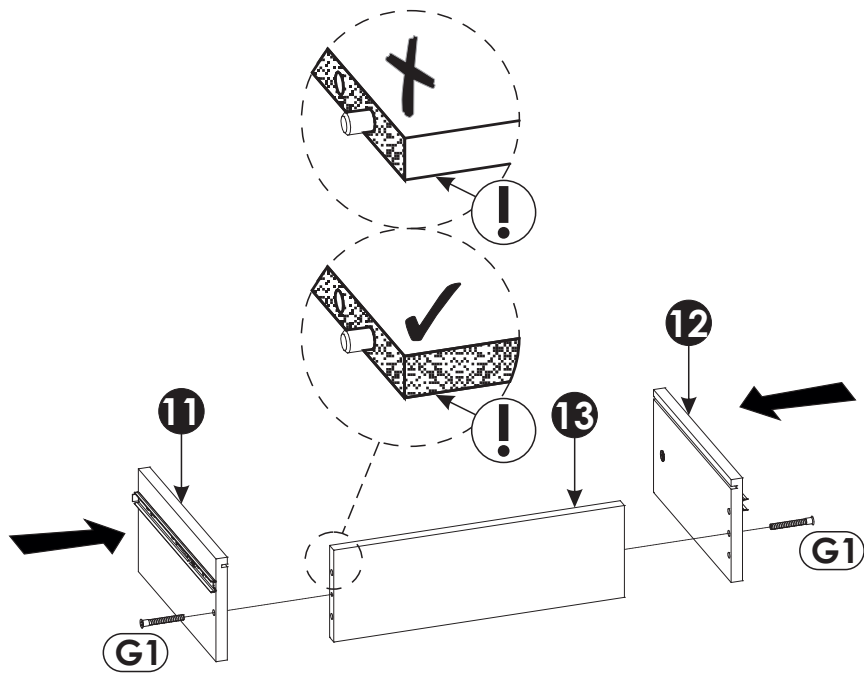
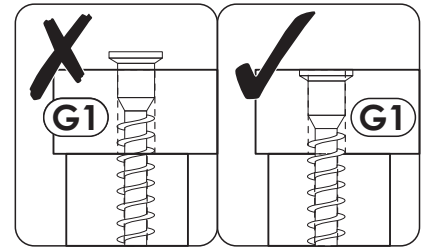
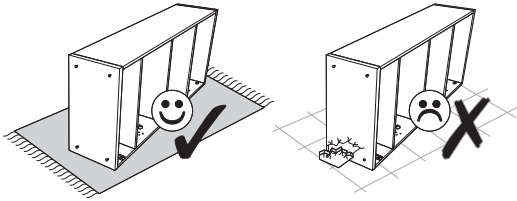
30 ▶



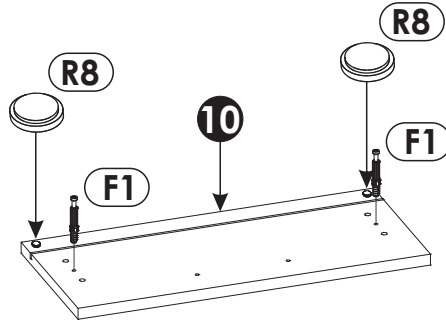
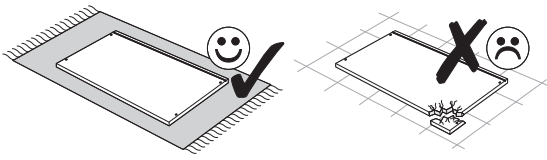
31 ▶



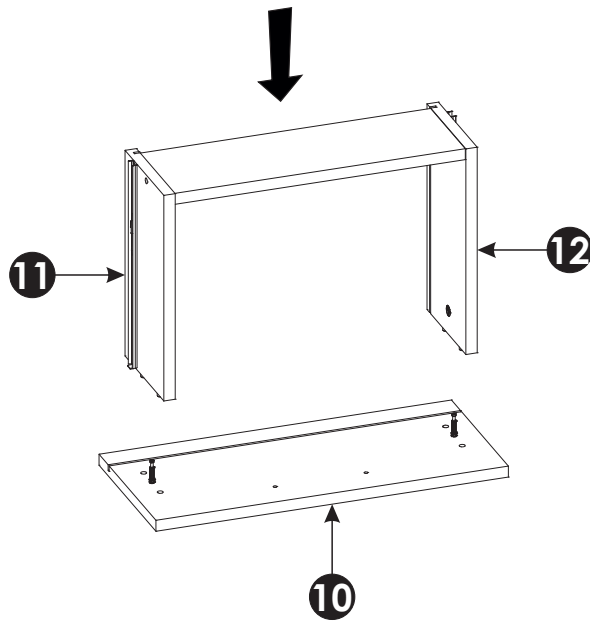
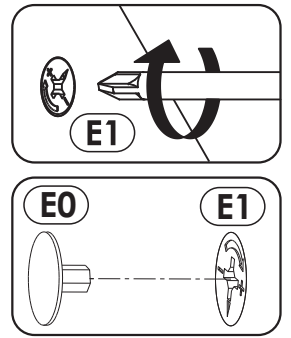
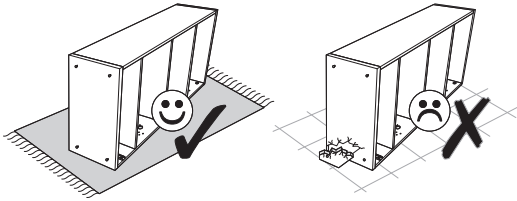
32 ▶



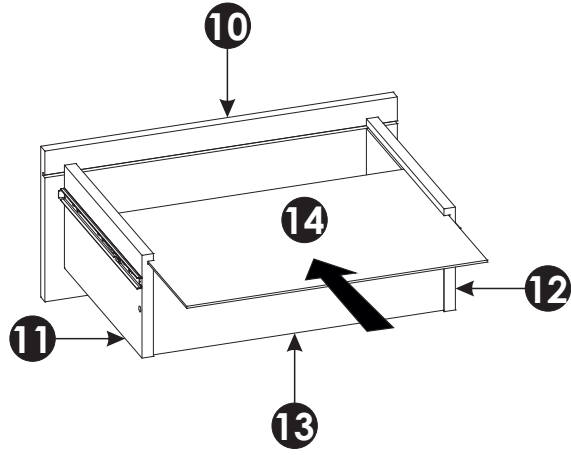
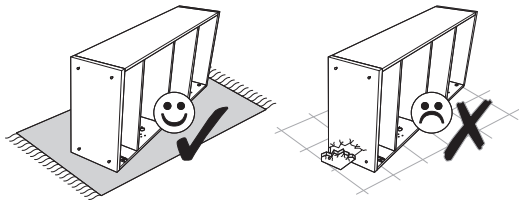
33▶



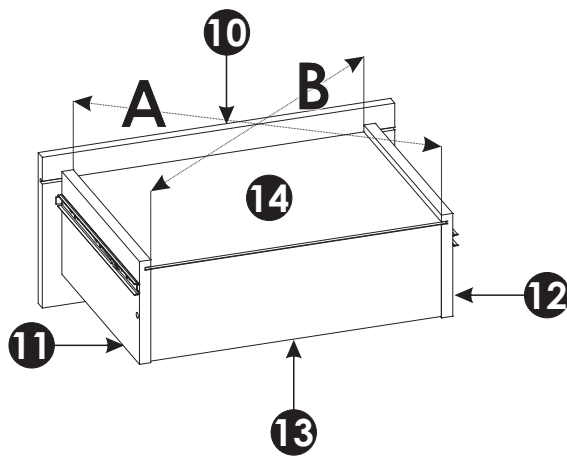
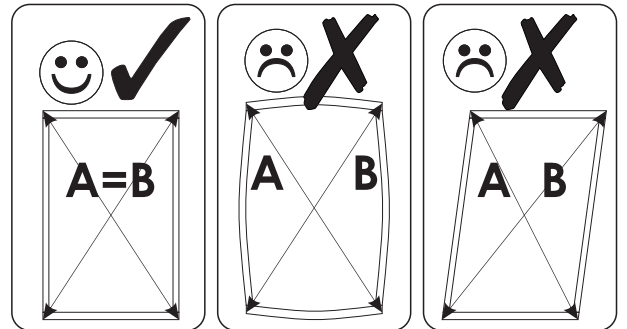
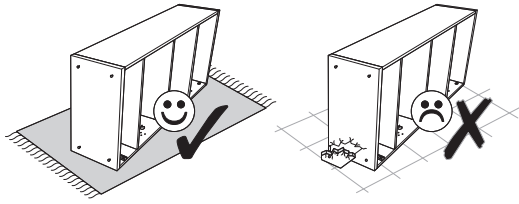
34▶



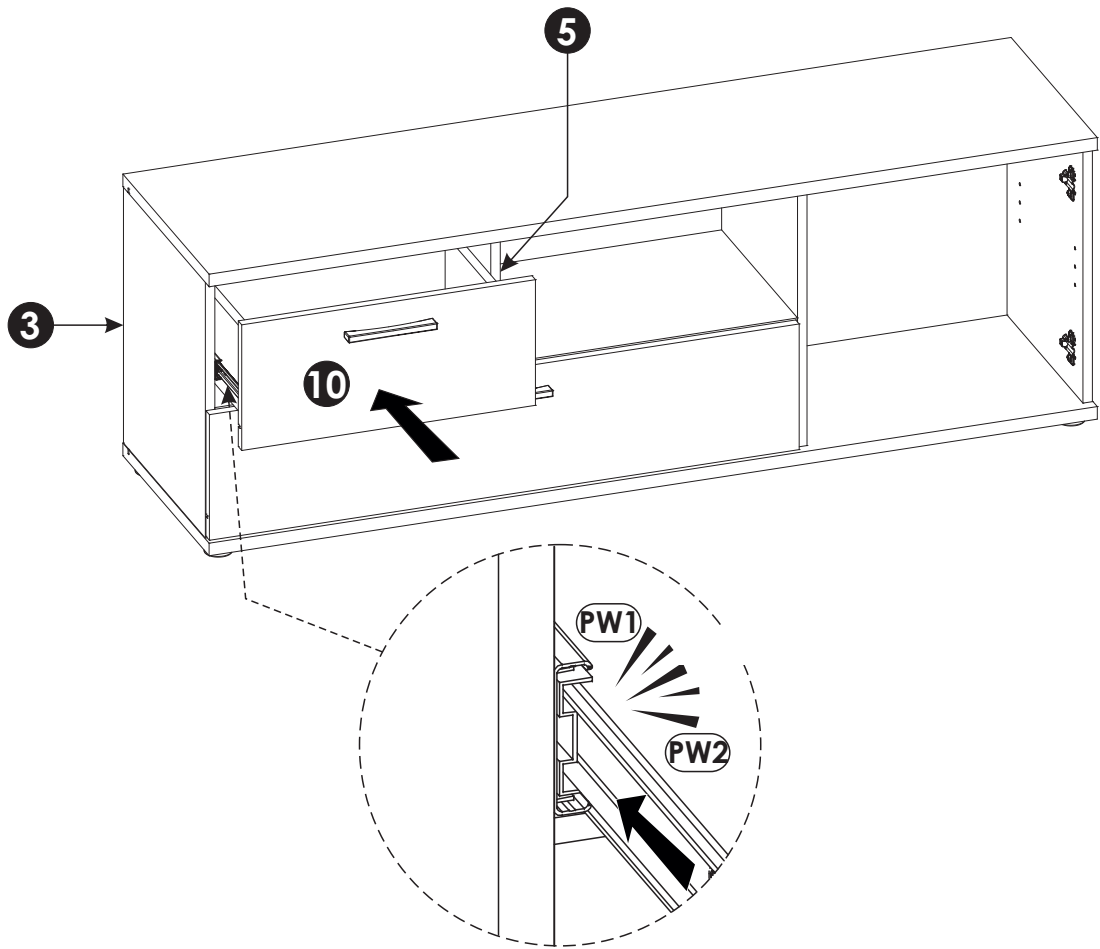
35 ▶



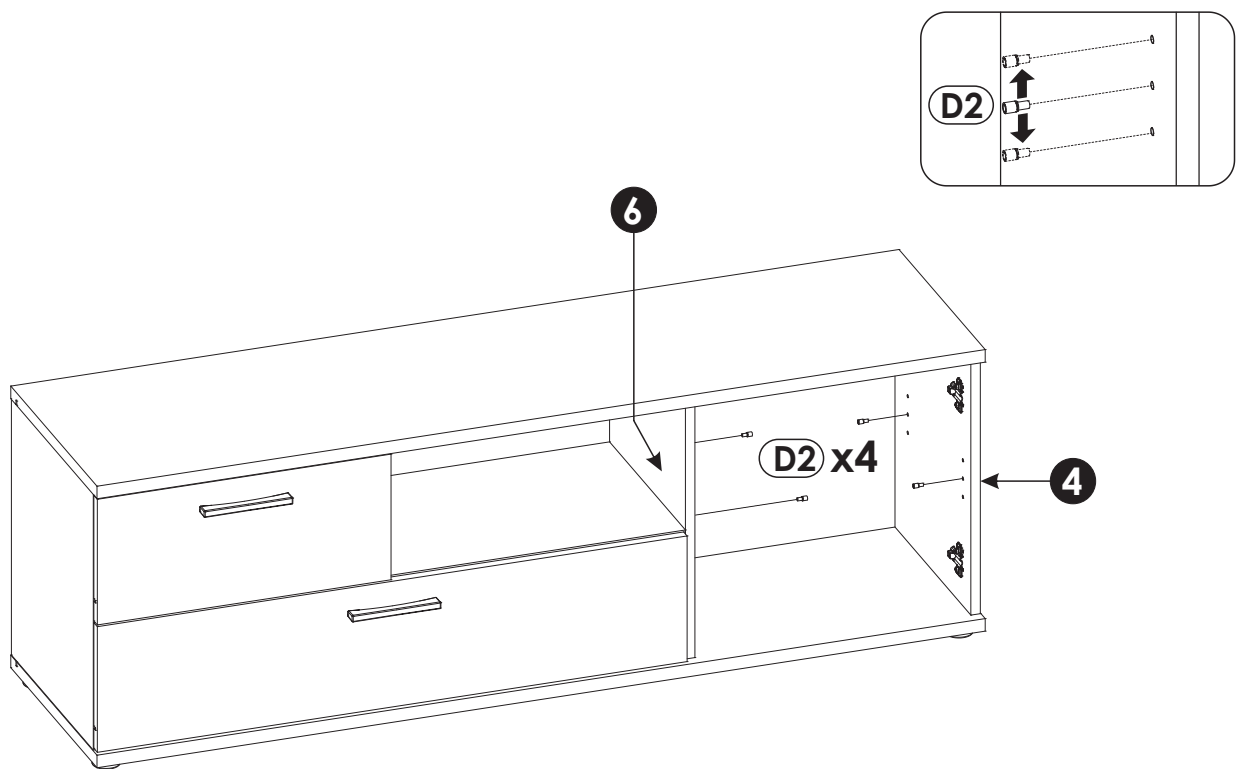
36 ▶



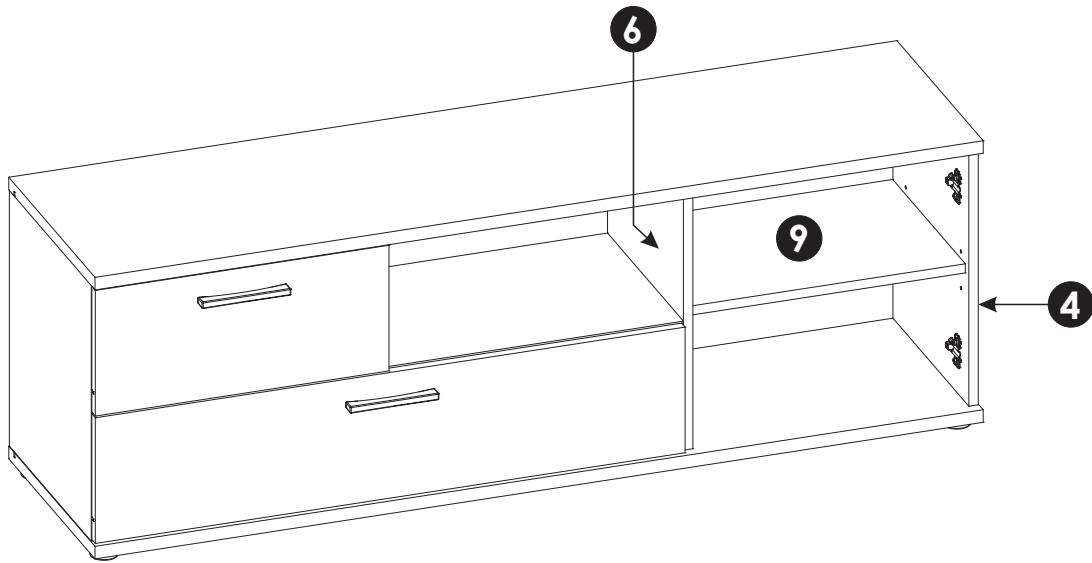
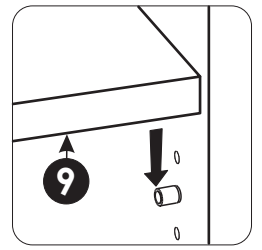
39 ▶



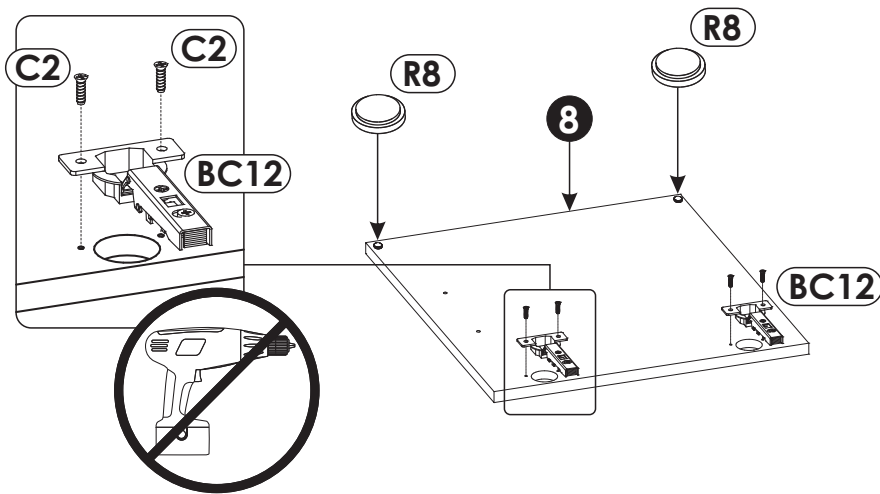
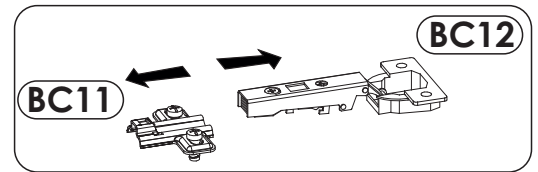
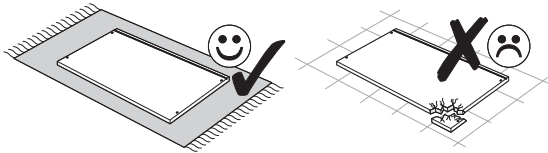
40 ▶



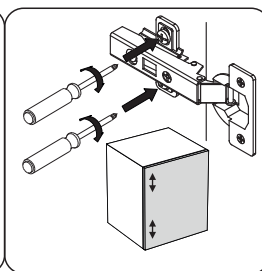
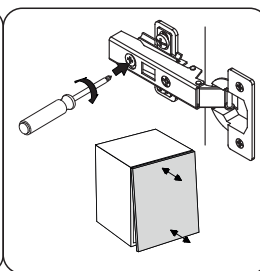
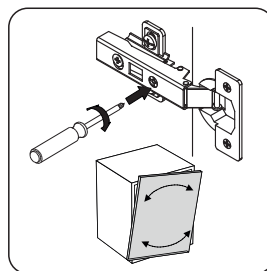
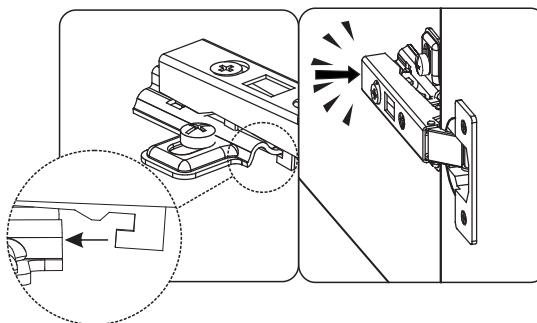
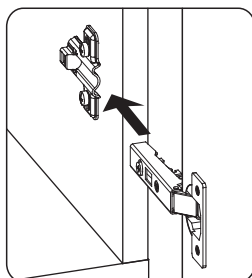
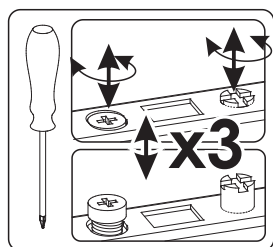
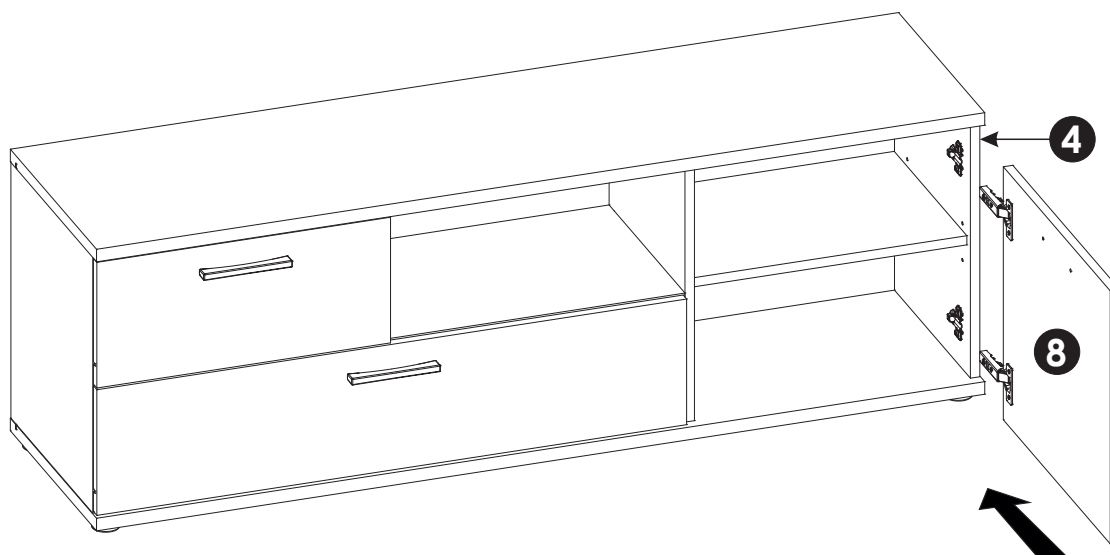
41 ▶



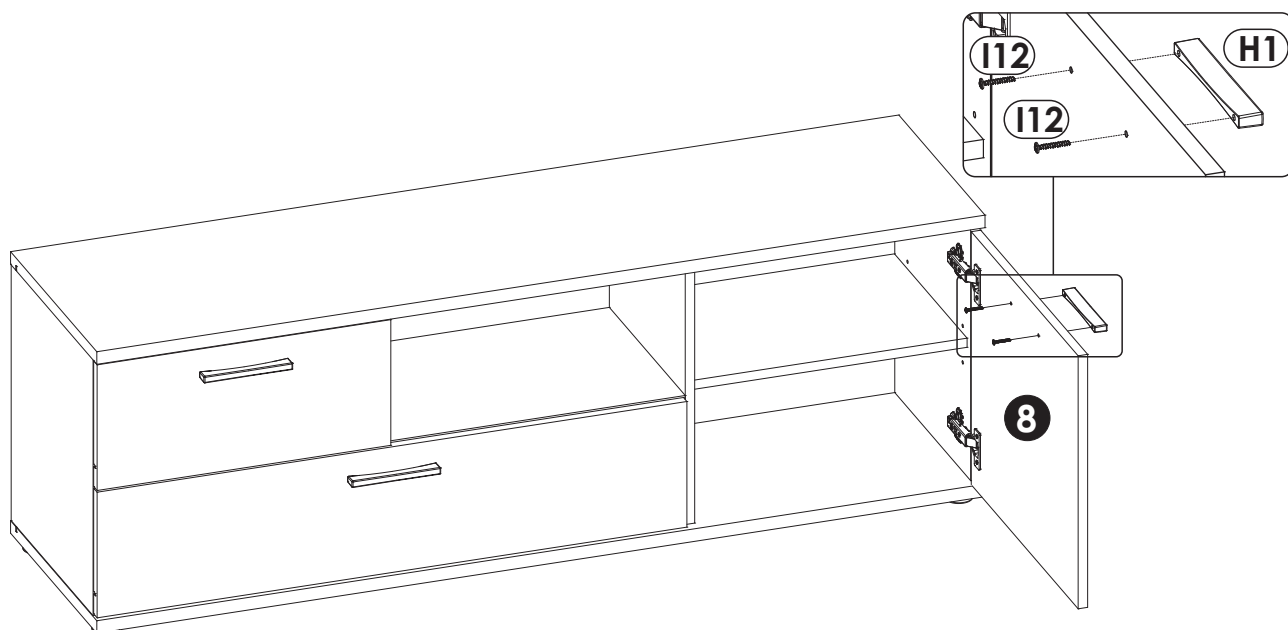
42 ▶



43 ▶



44 ▶



45▶

