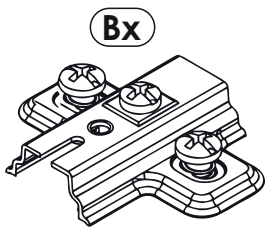
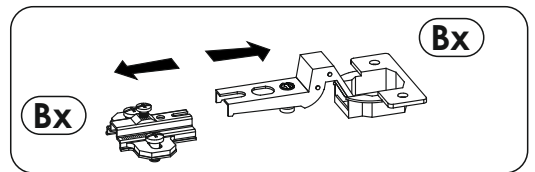
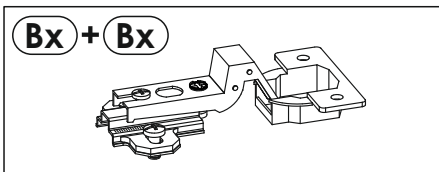
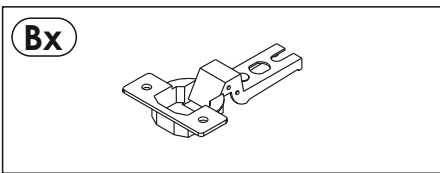
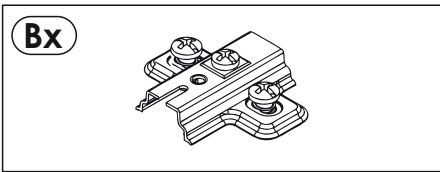
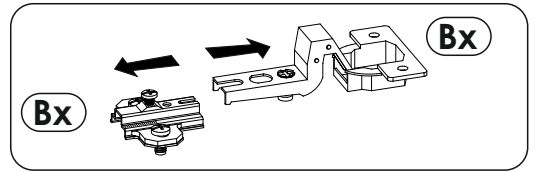
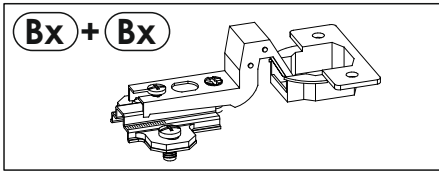
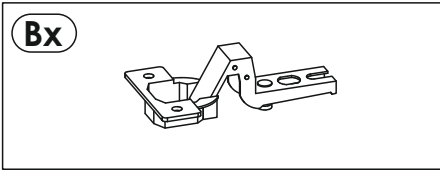
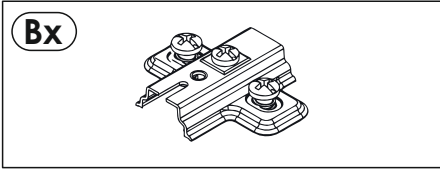




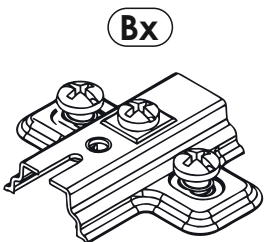
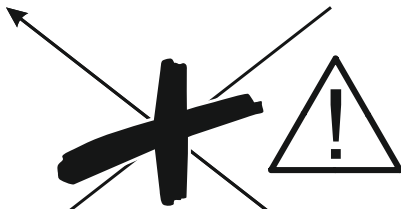
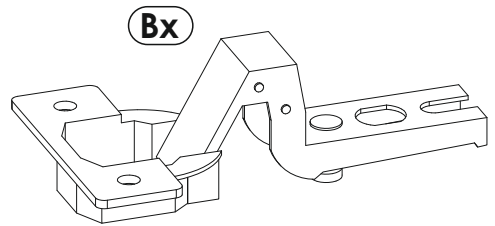
A



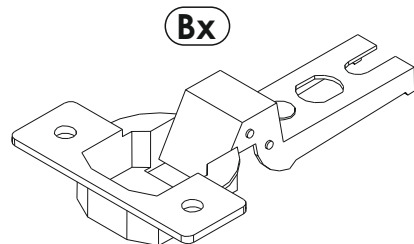
B

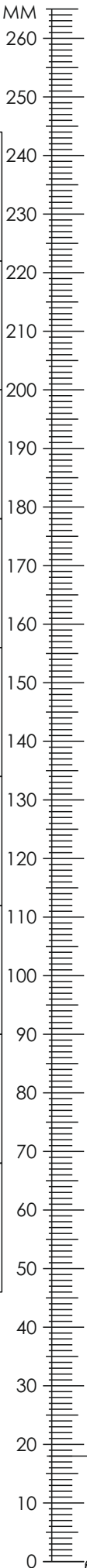


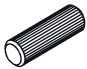
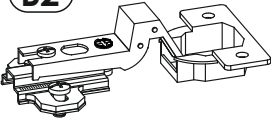
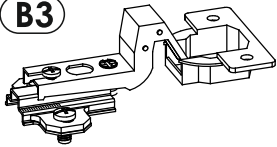






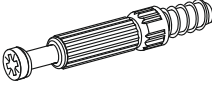
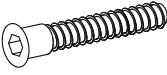
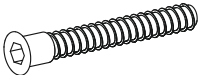


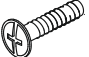

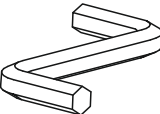
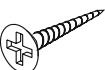
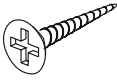
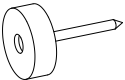
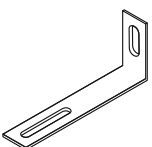
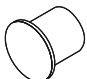
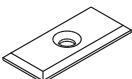
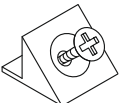
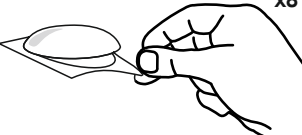
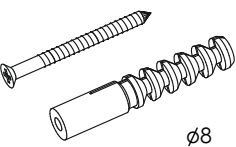
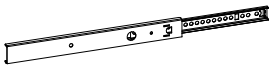
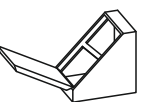
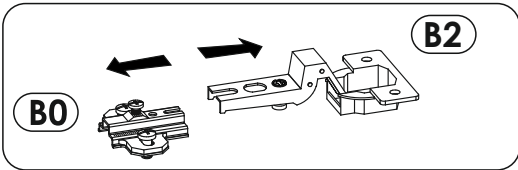
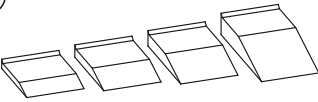
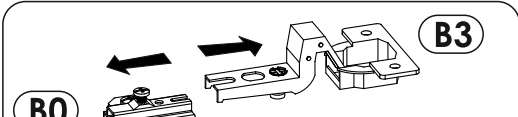
OK

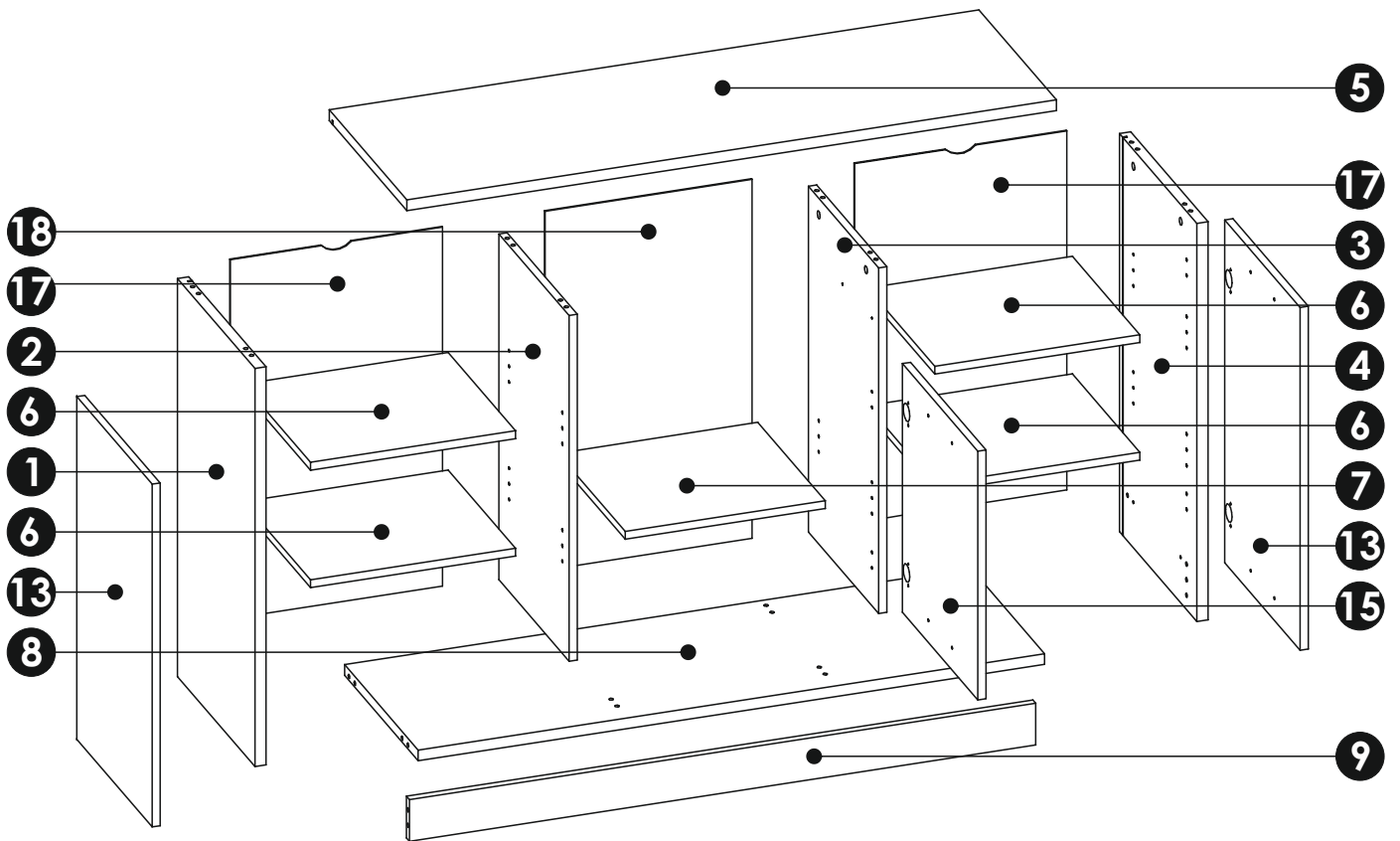
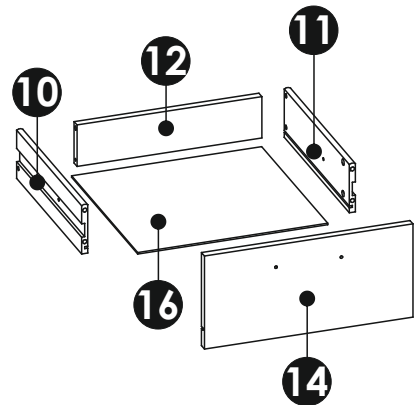
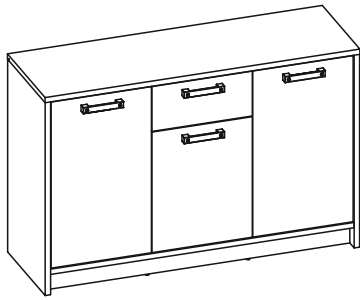


OK





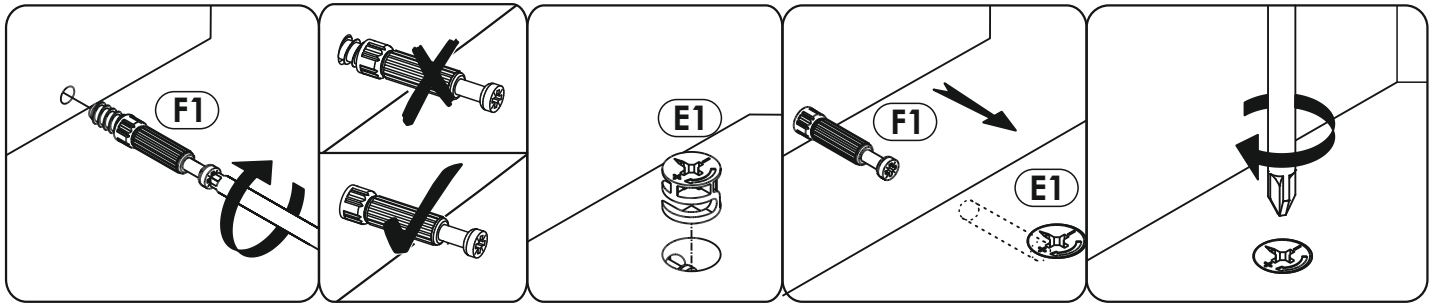
A1 8 x 35 mm x22 	B0 + B2 x2 	B0 + B3 x4 
C1 4 x 13 mm x12 	C2 5 x 13 mm x4 	D2 x20 
E0 x4 	E1 15 x 12 mm x12 	E3 13 x 10,7 mm x4 
F1 6 x 34 mm x16 	G1 7 x 50 mm x2 	G2 7 x 60 mm x4 
H1 x4 	I2 4 x 16 mm x2 	I6 4 x 27 mm x8 
K1 4 x 9 mm x2 	M x1 	N1 3 X 16 mm x20 
N2 3,5 X 16 mm x6 	O2 x6 	Q9 x2 
P0 x10 	R1 x8 	R4 x8 
R8 x8 	S13 x2  ø8	T3 L-251 x2 
W x3 		
Z x1 		



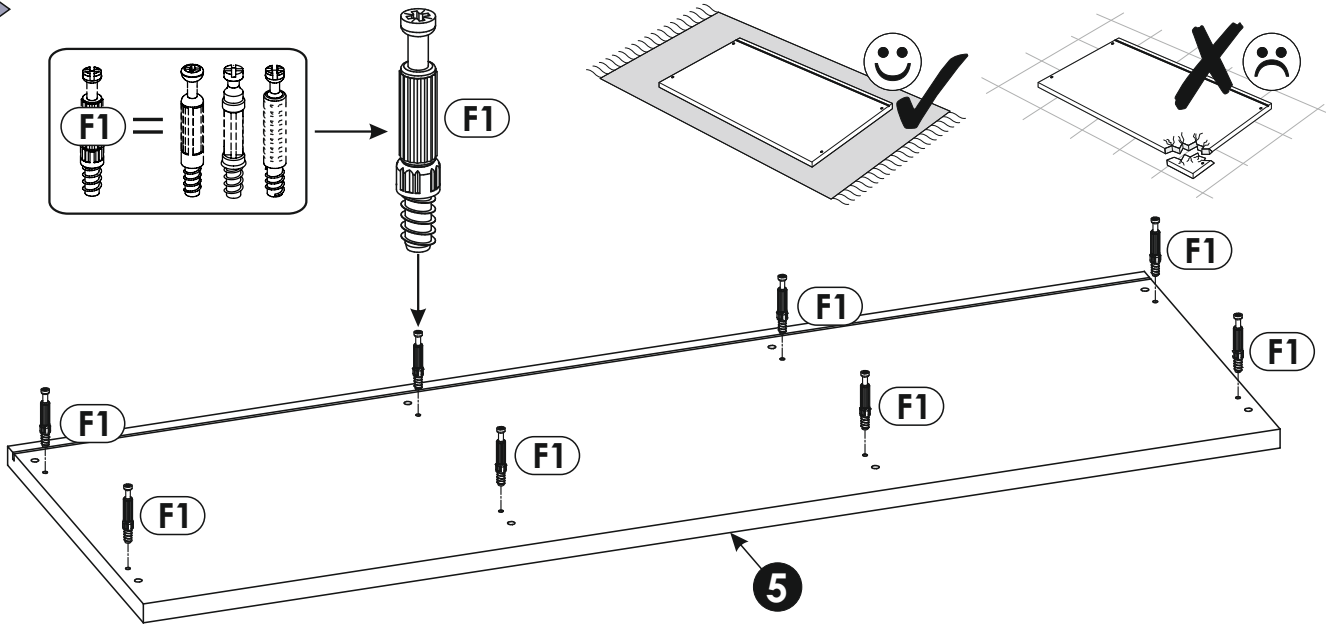
1	813	419	22	x1	1/2
2	706	380	16	x1	2/2
3	706	380	16	x1	2/2
4	813	419	22	x1	1/2
5	1280	420	22	x1	2/2
6	404	365	16	x4	1/2
7	394	365	16	x1	2/2

8	1234	398	22	x1	2/2
9	1234	85	16	x1	2/2
10	350	100	12	x1	2/2
11	350	100	12	x1	2/2
12	362	84	16	x1	2/2
13	700	408	16	x2	1/2
14	408	189	16	x1	2/2

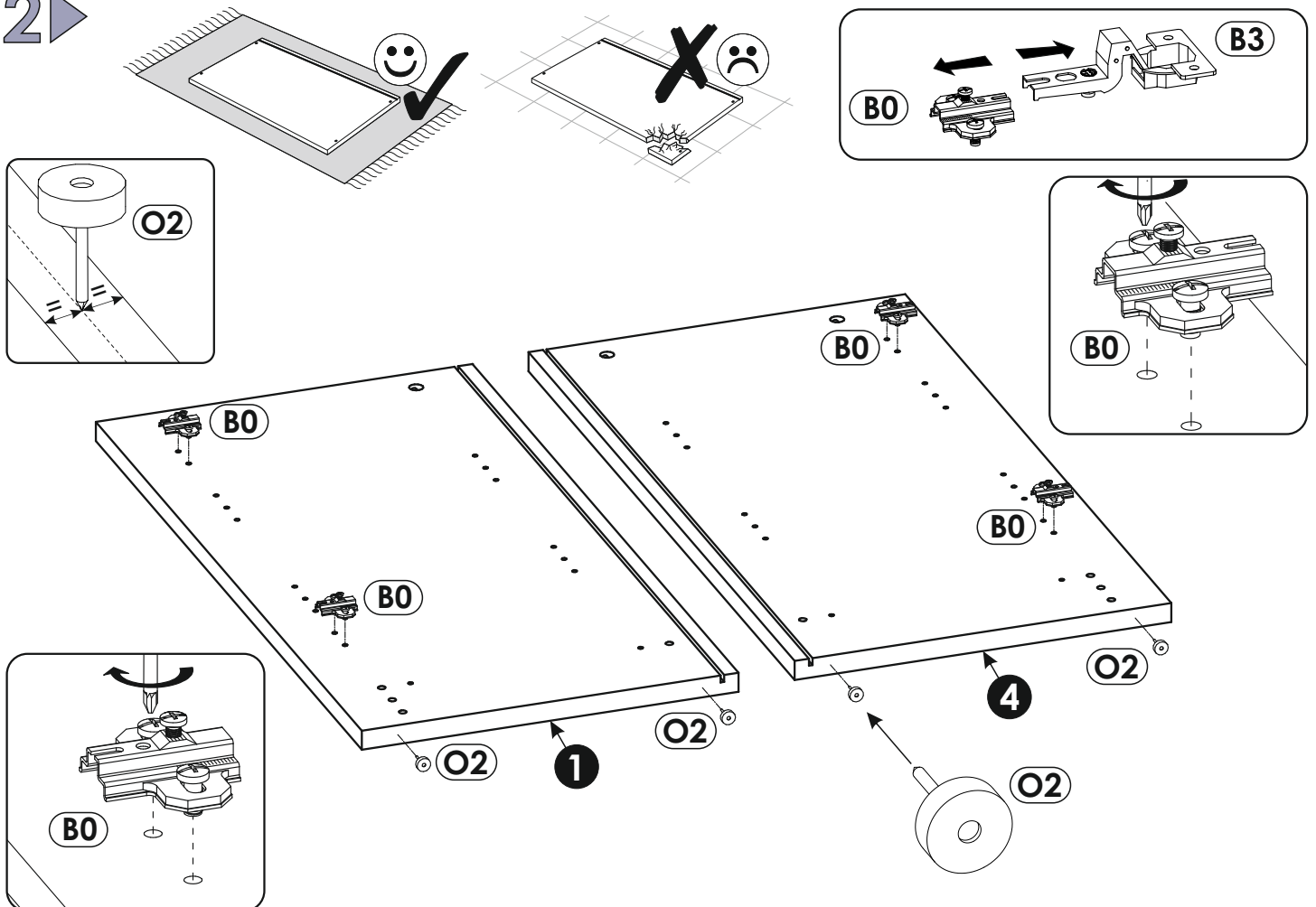
15	408	508	16	x1	2/2
16	372	355	3	x1	1/2
17	733	418	3	x2	1/2
18	733	408	3	x1	1/2



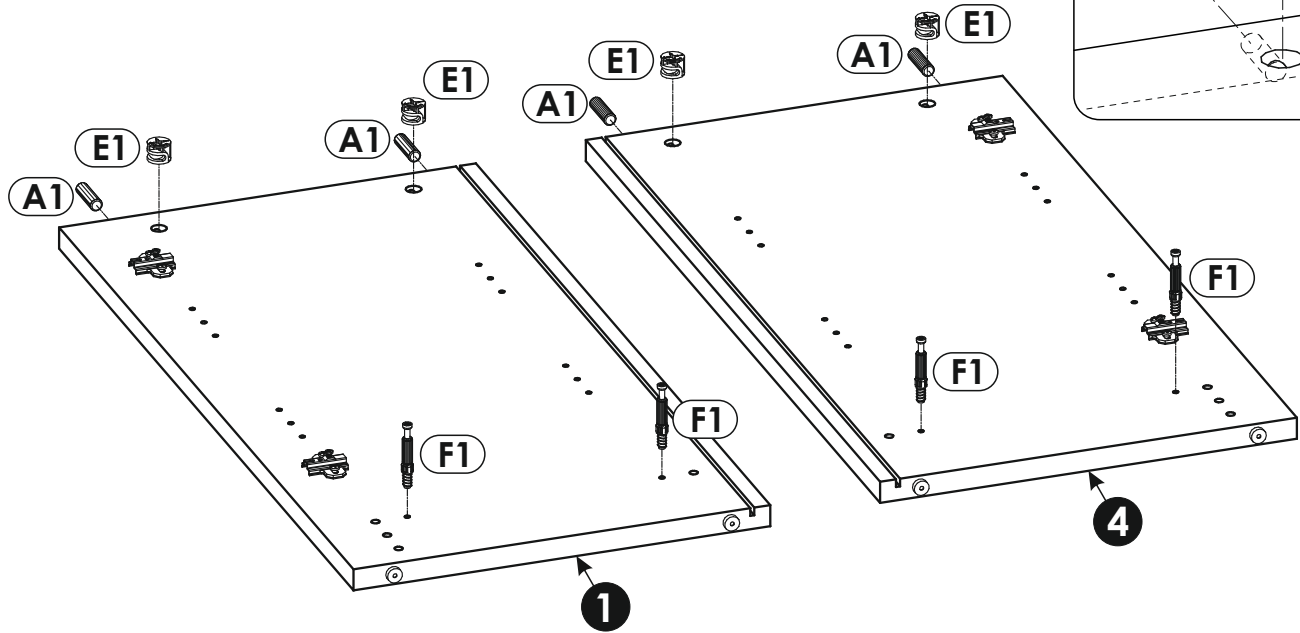
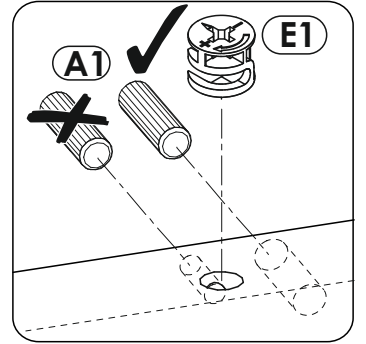
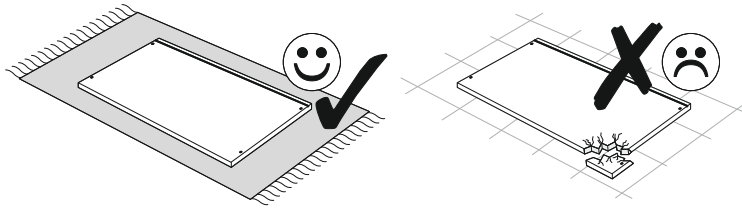
1 ▶



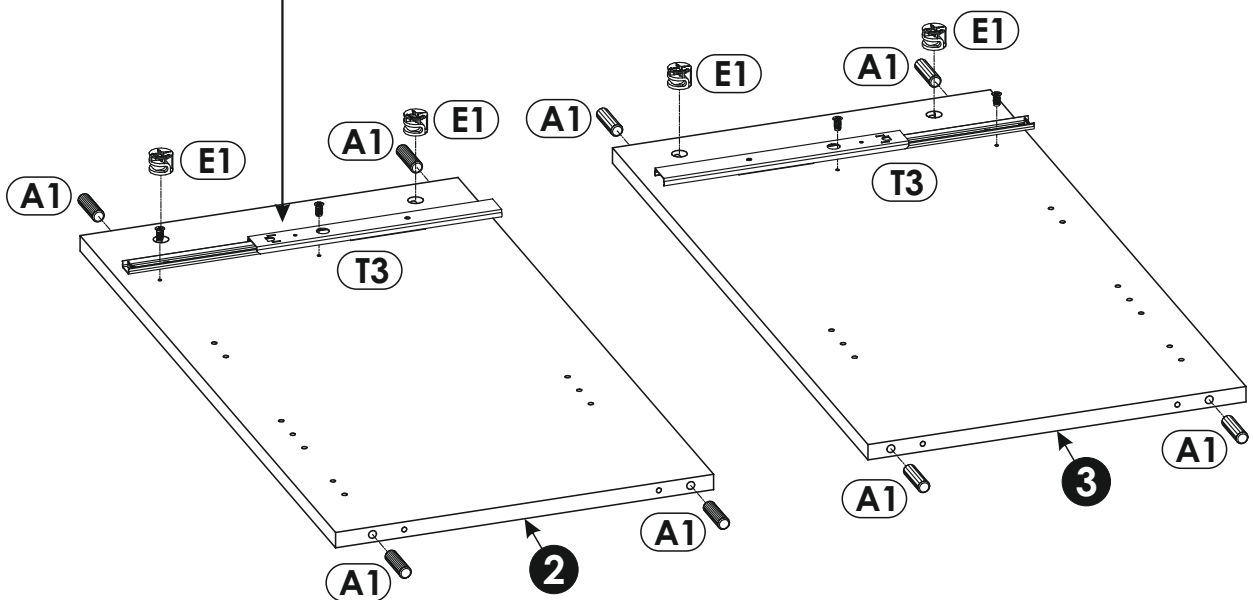
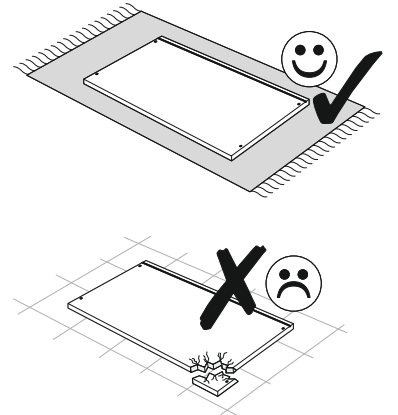
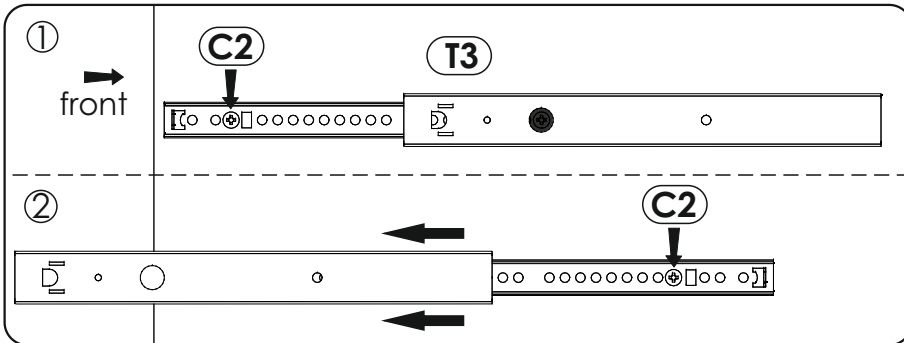
2 ▶



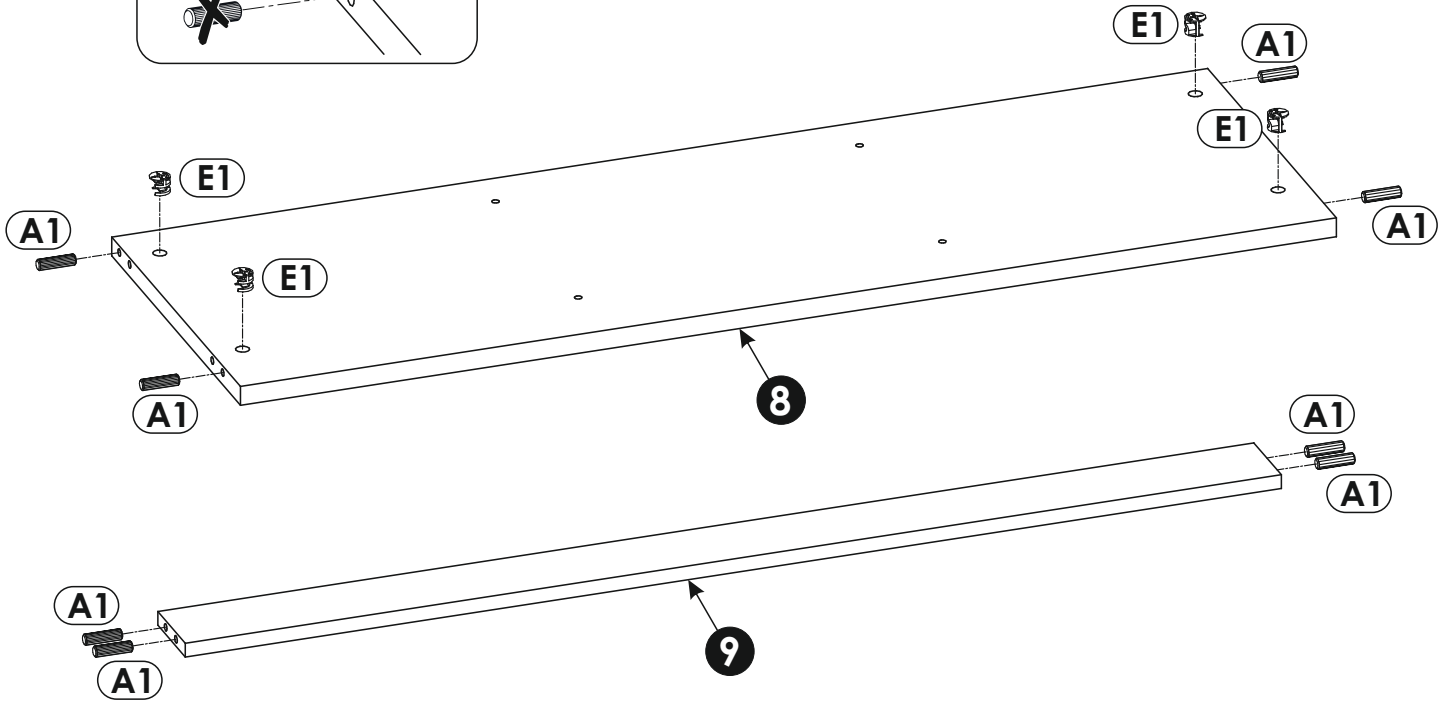
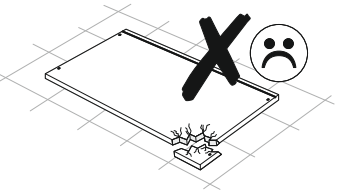
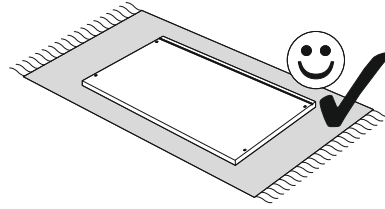
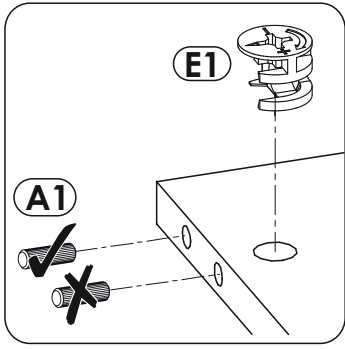
3 ▶



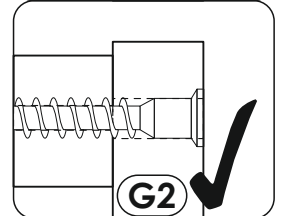
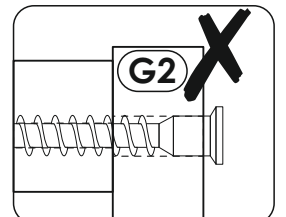
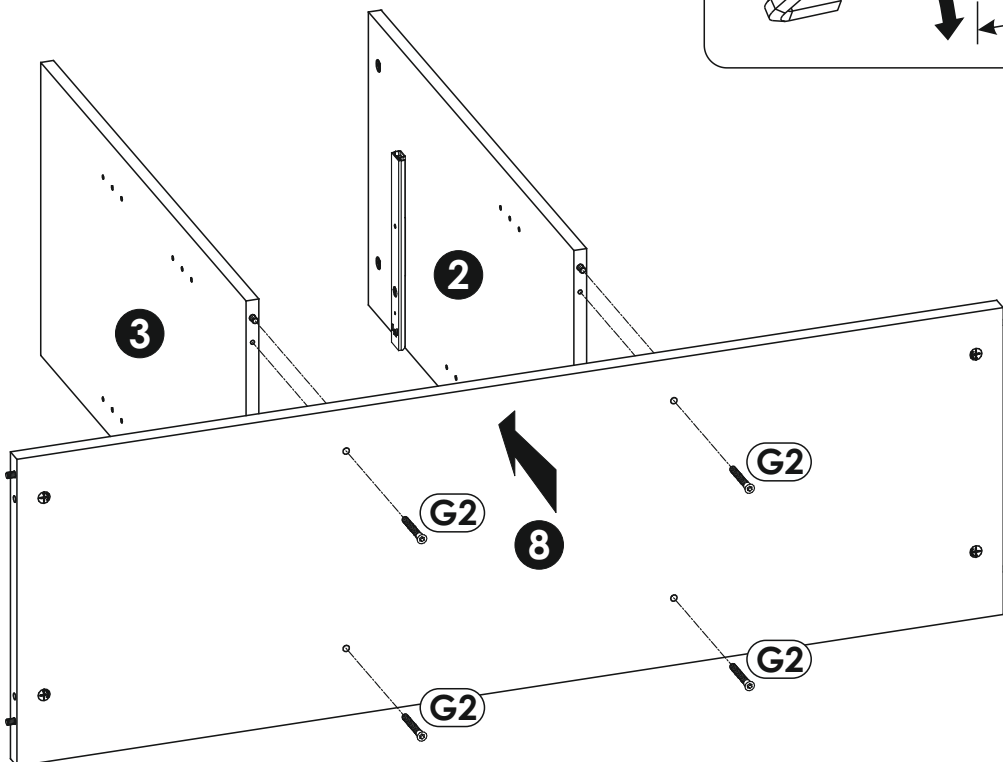
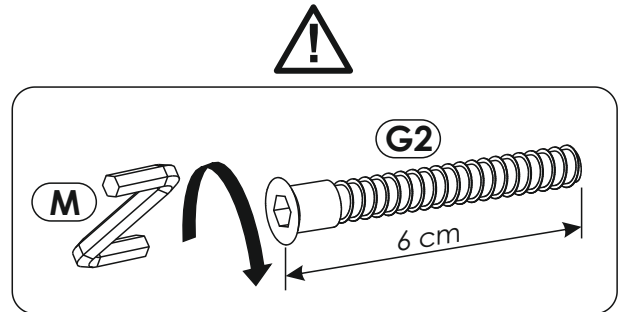
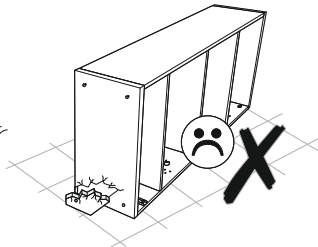
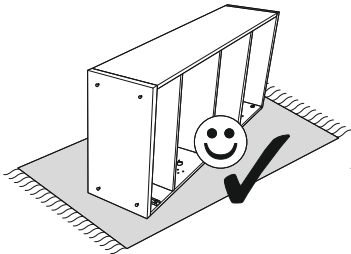
4 ▶



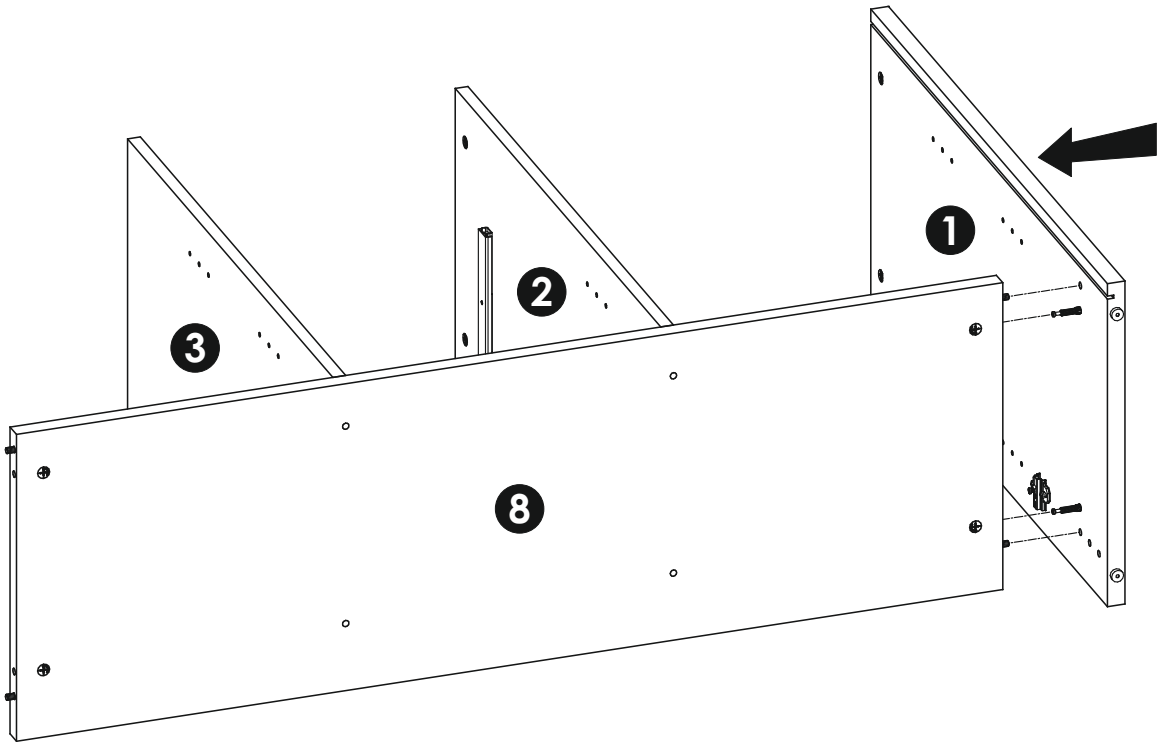
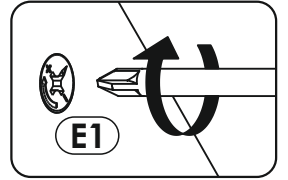
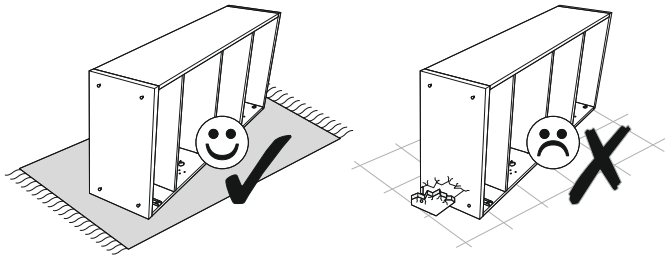
5 ▶



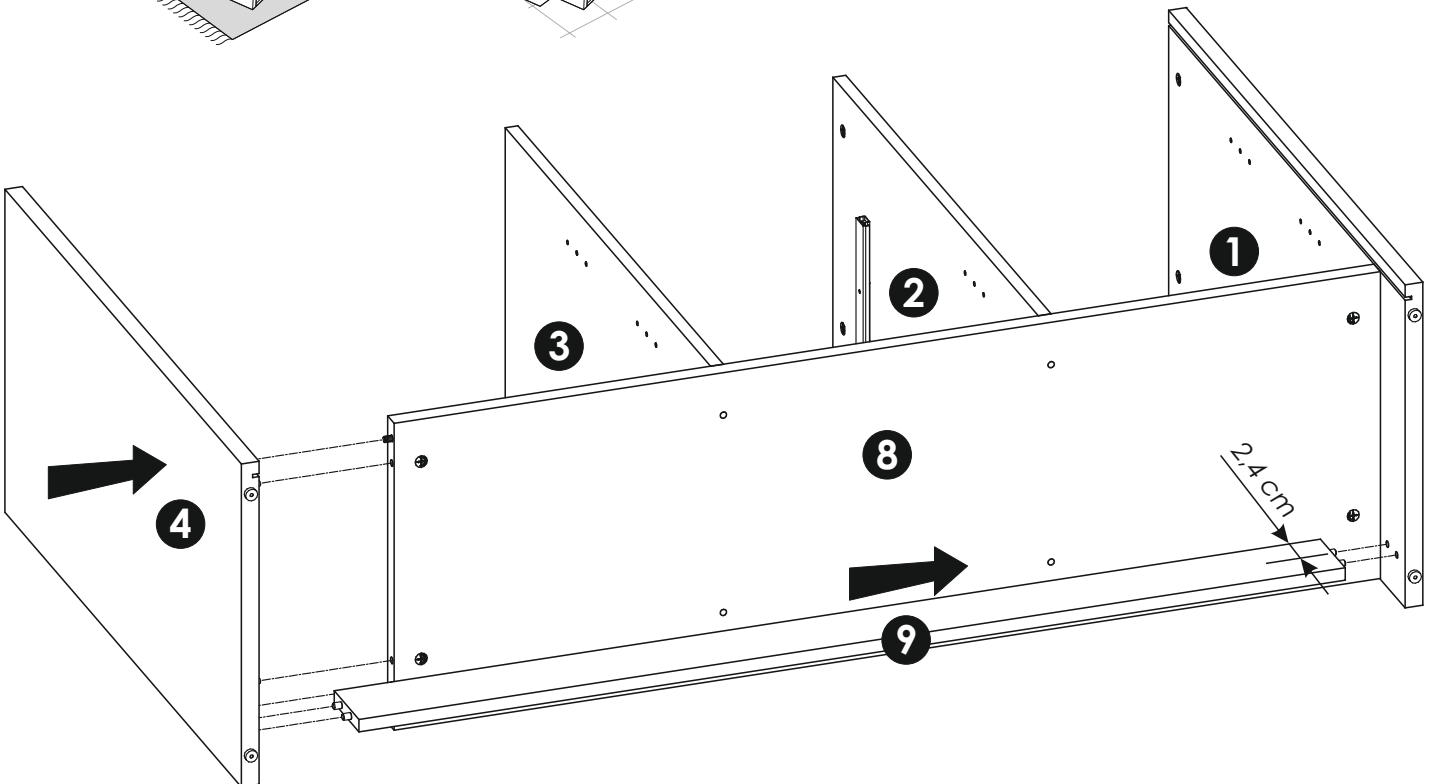
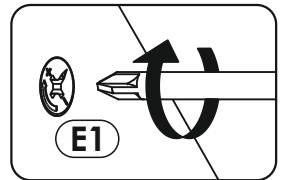
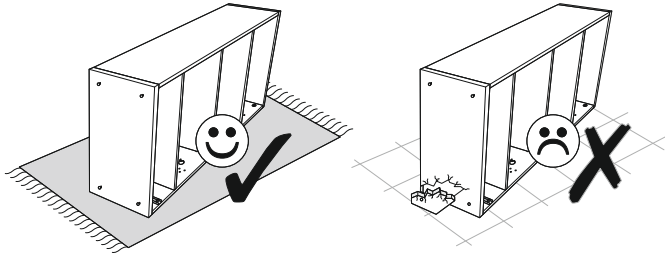
6 ▶



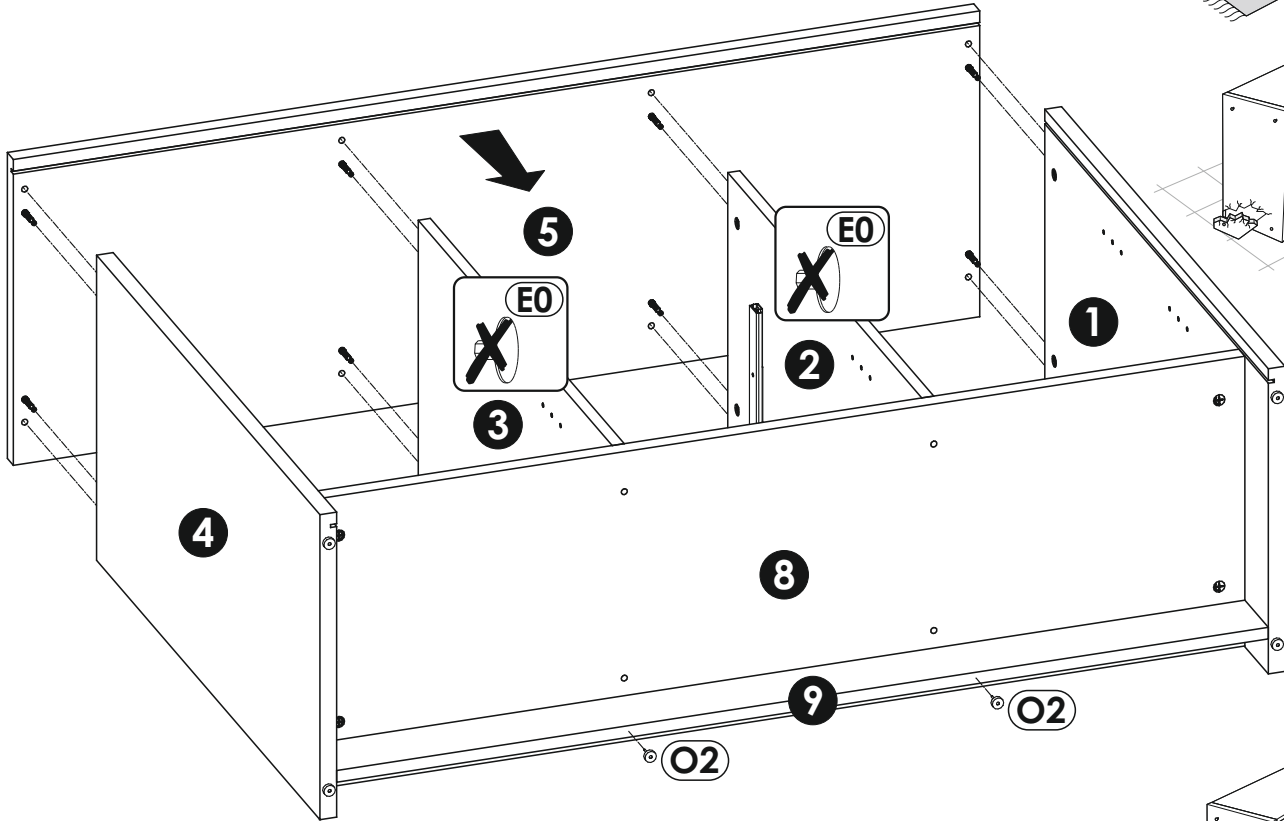
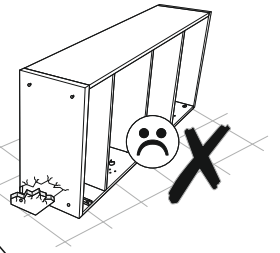
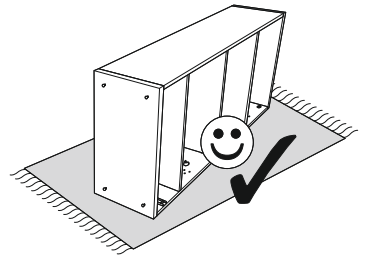
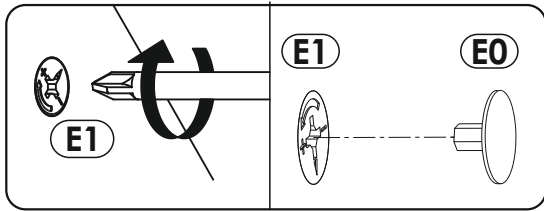
7 ▶



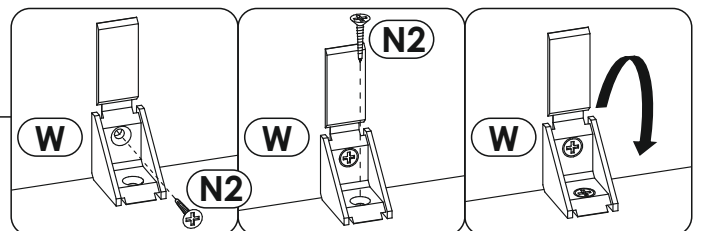
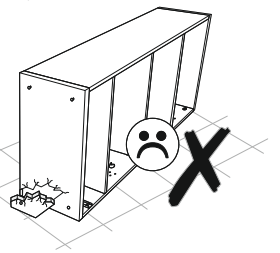
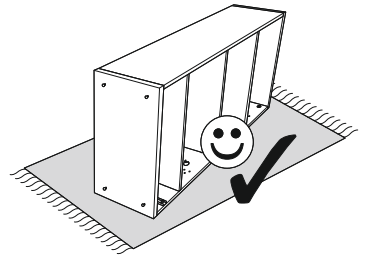
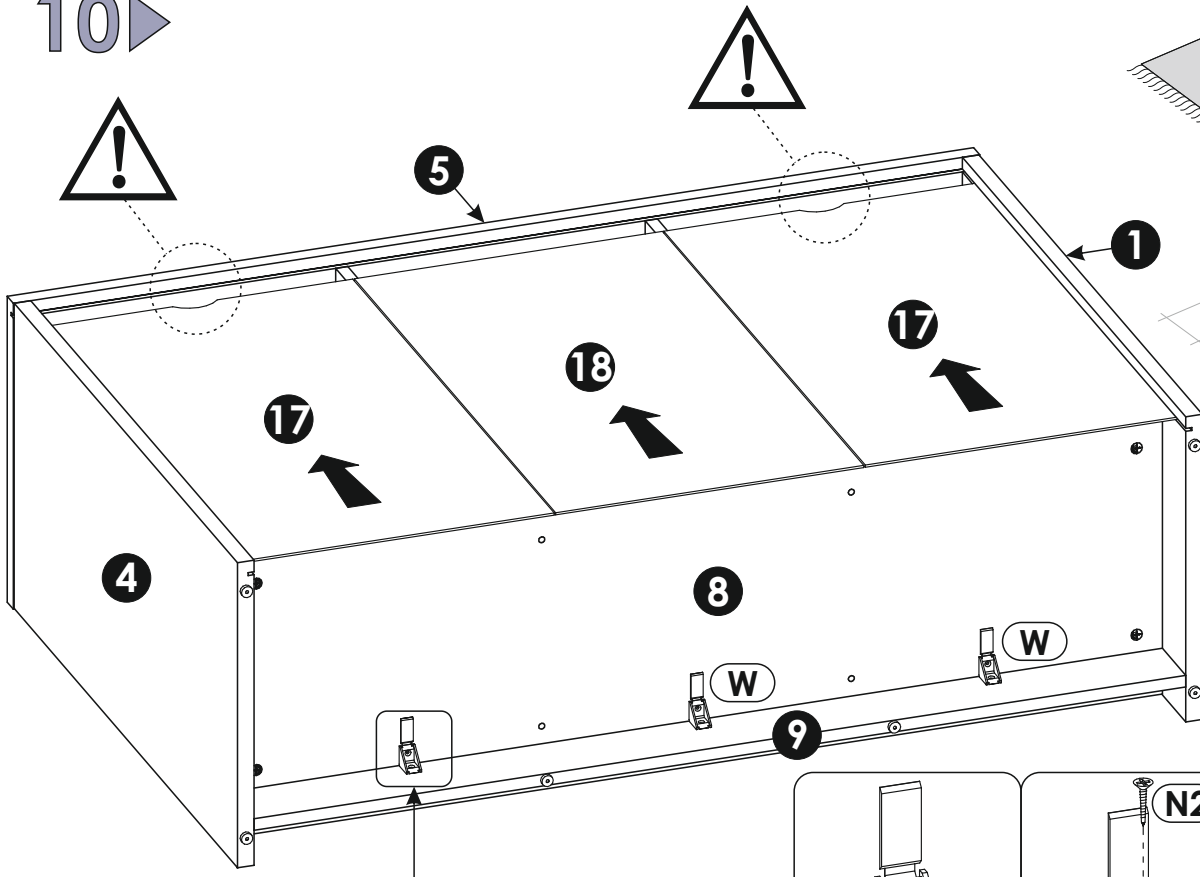
8 ▶



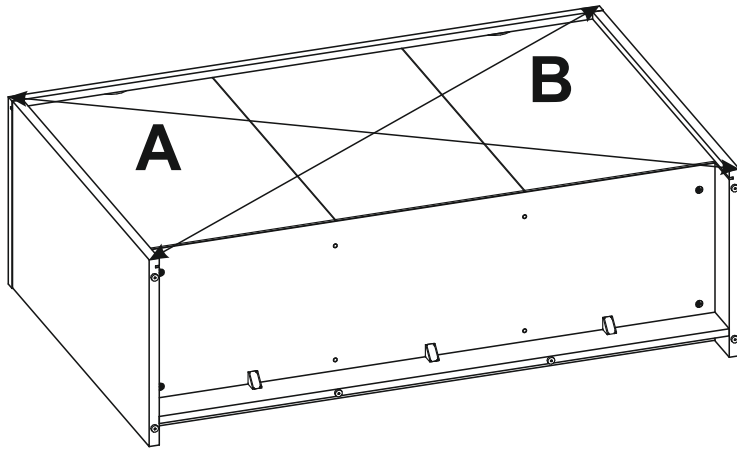
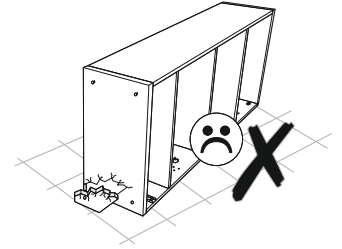
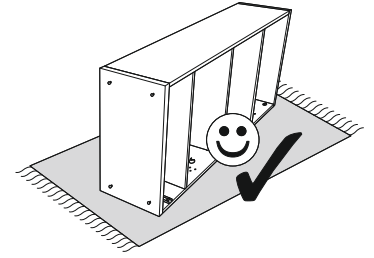
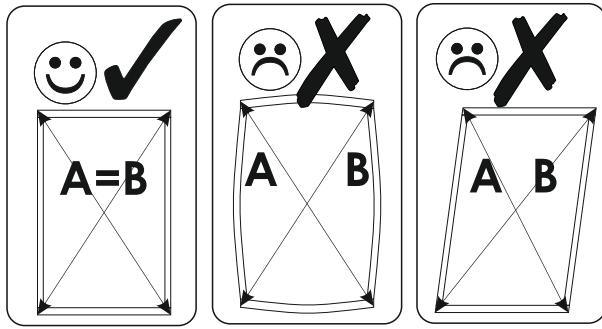
9 ▶



10 ▶

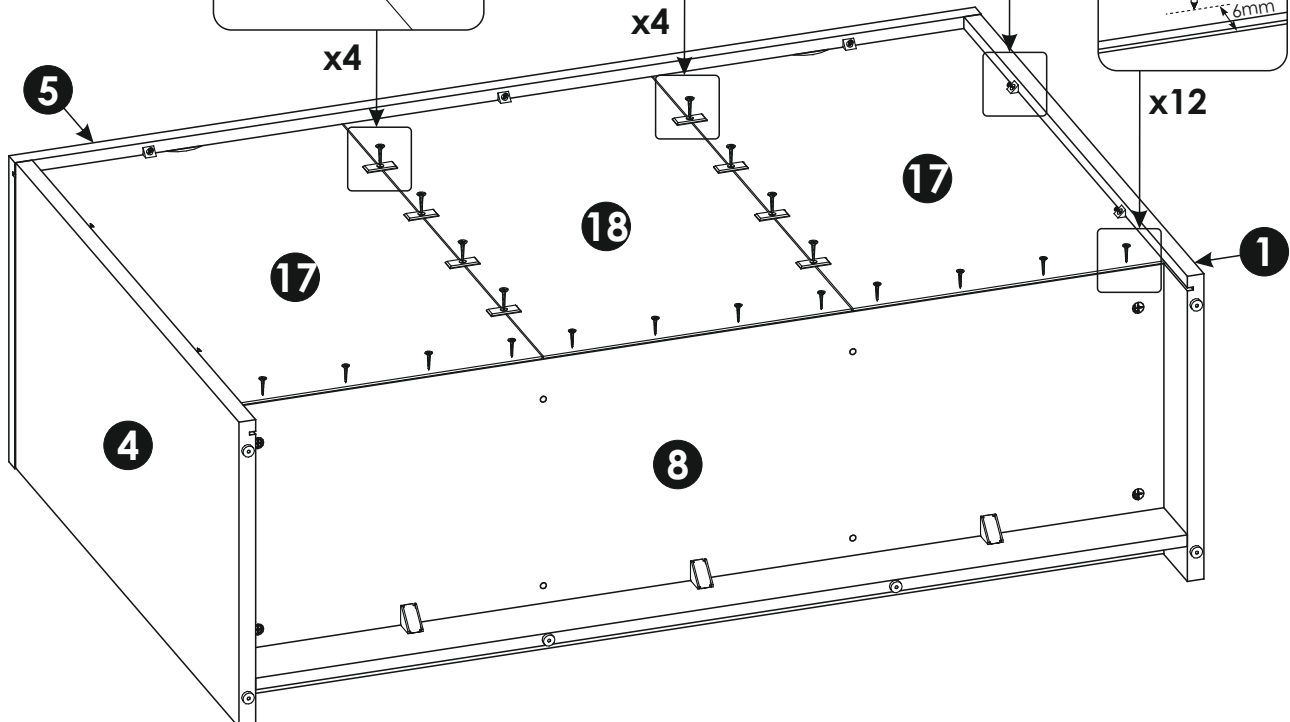
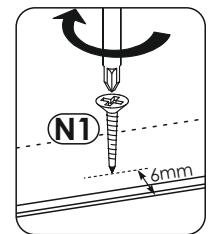
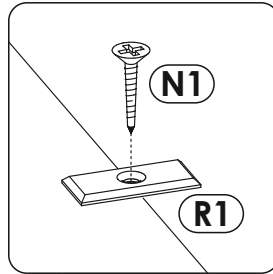
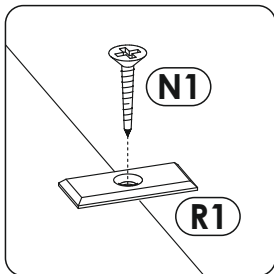
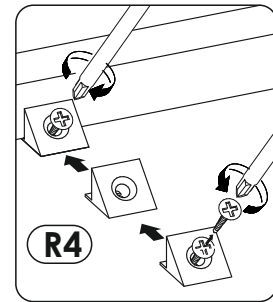
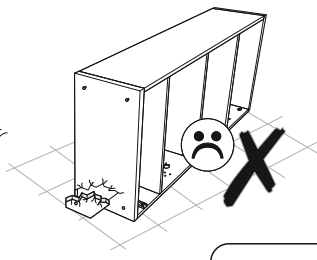
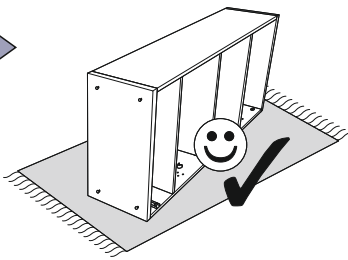


11 ▶

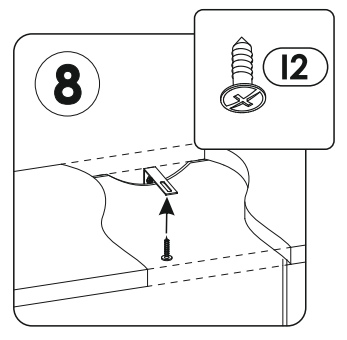
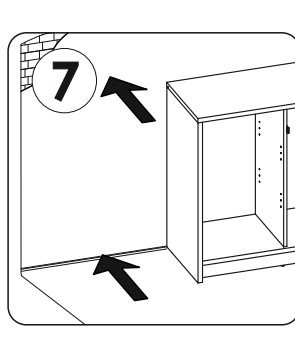
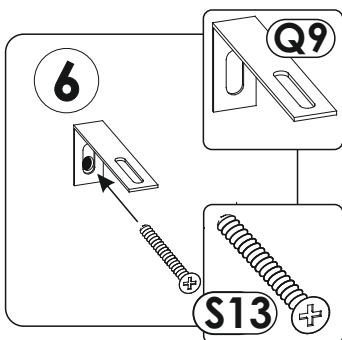
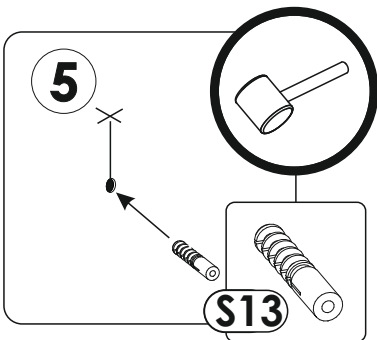
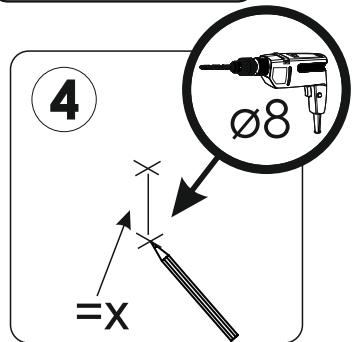
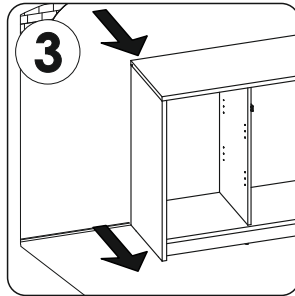
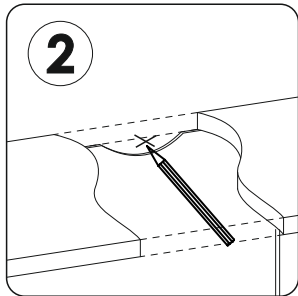
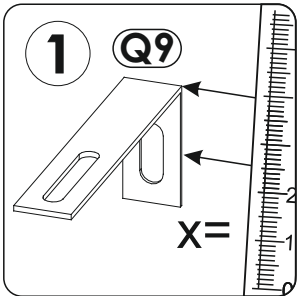
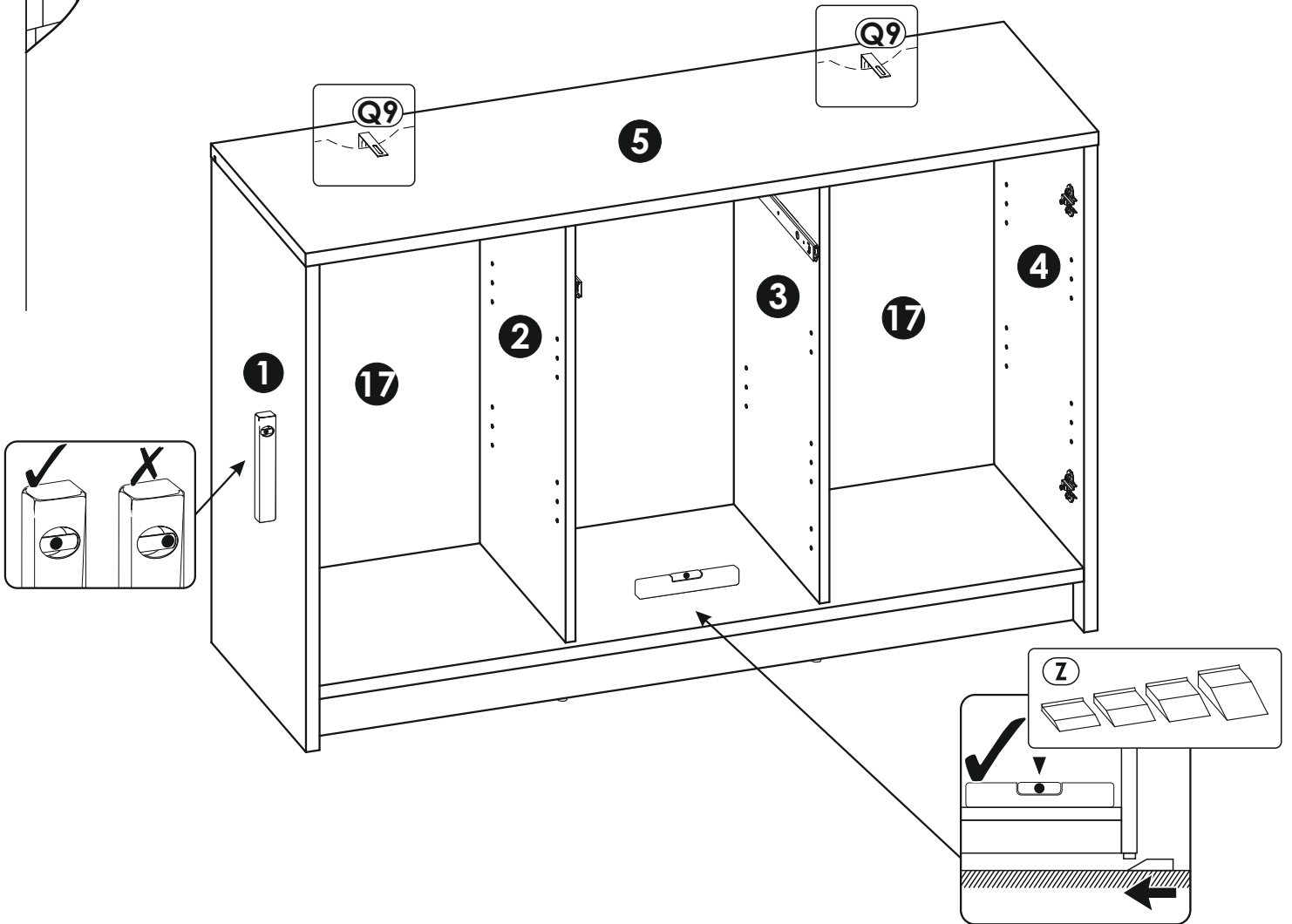
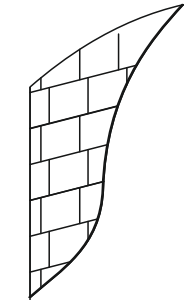
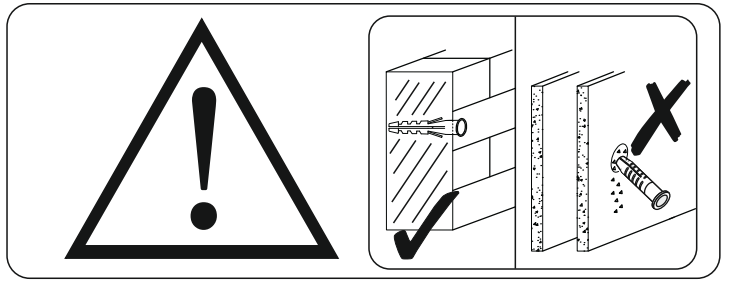


A=B

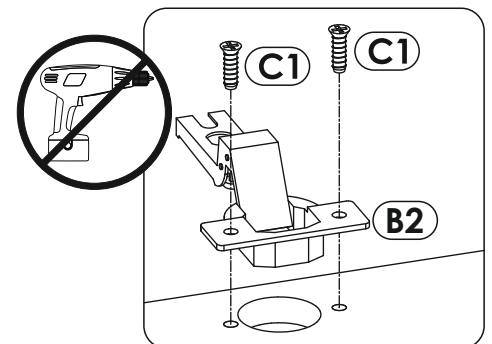
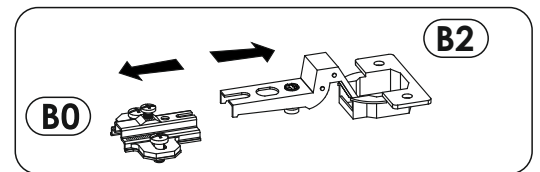
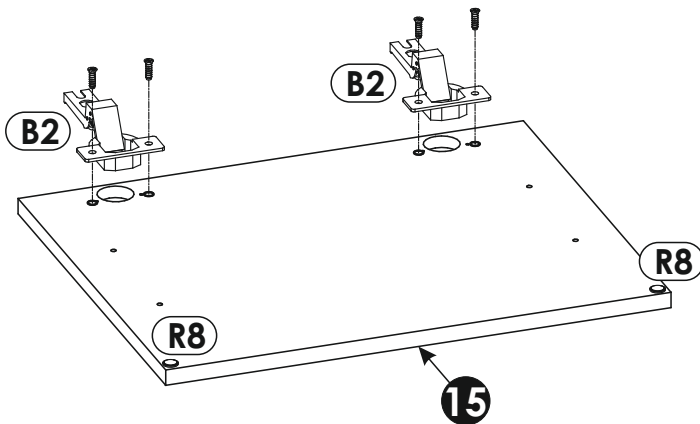
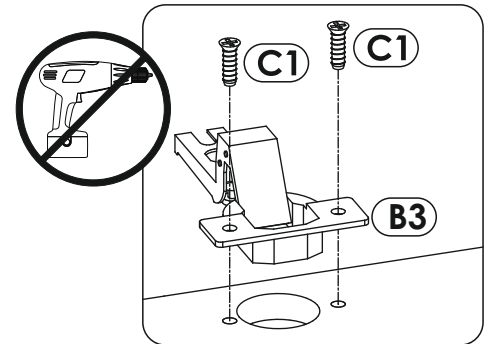
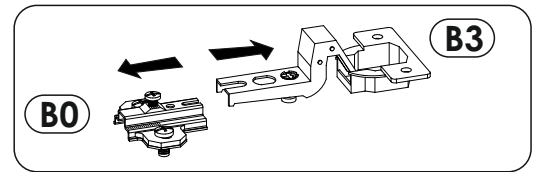
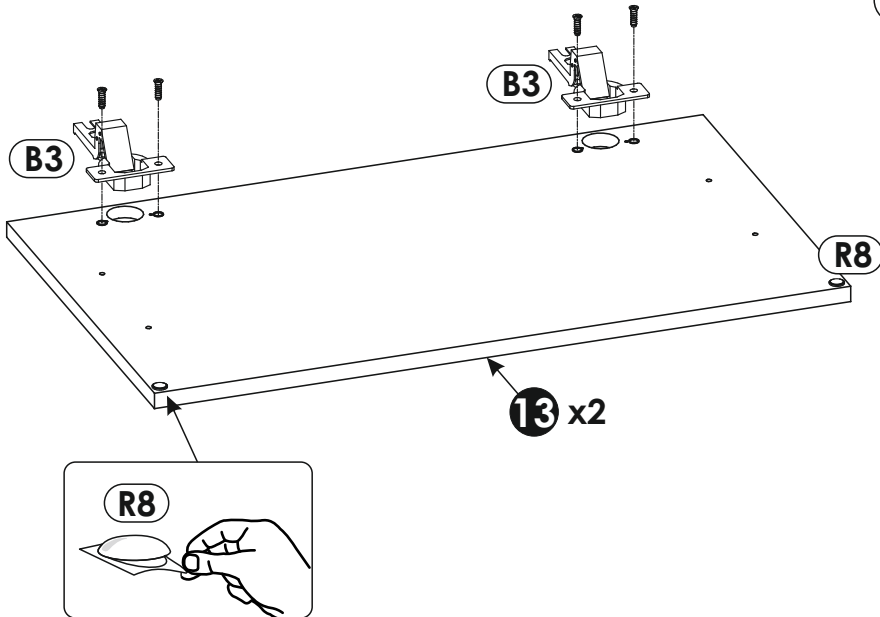
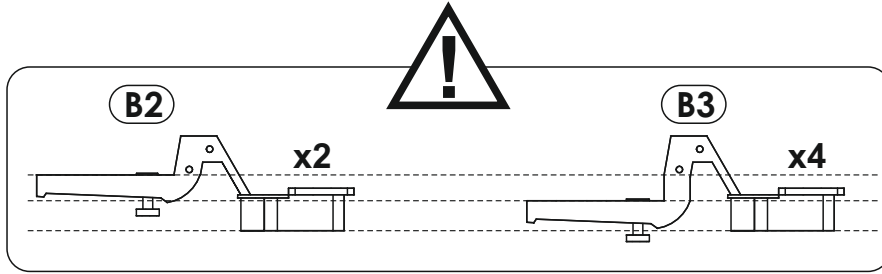
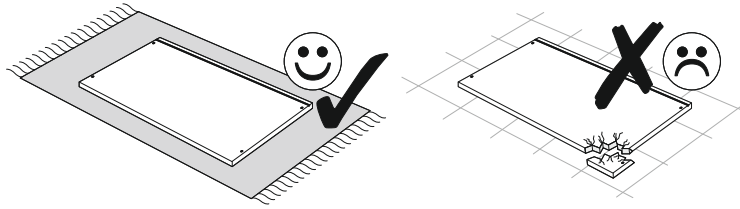
12 ▶



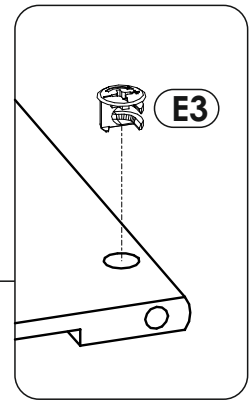
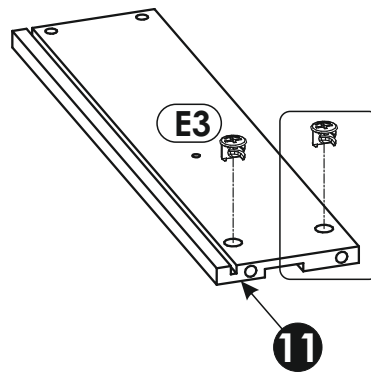
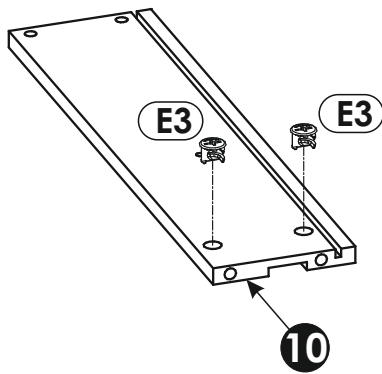
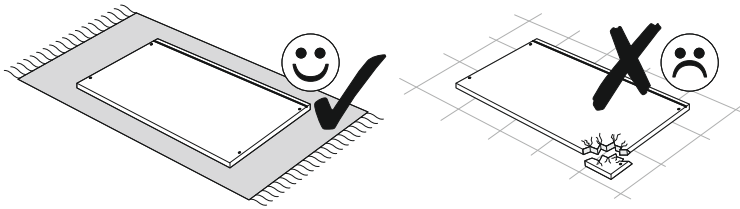
13 ▶



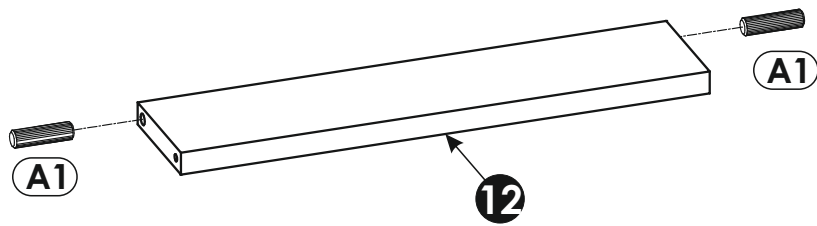
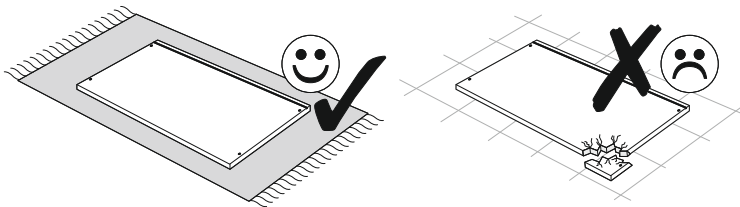
14▶



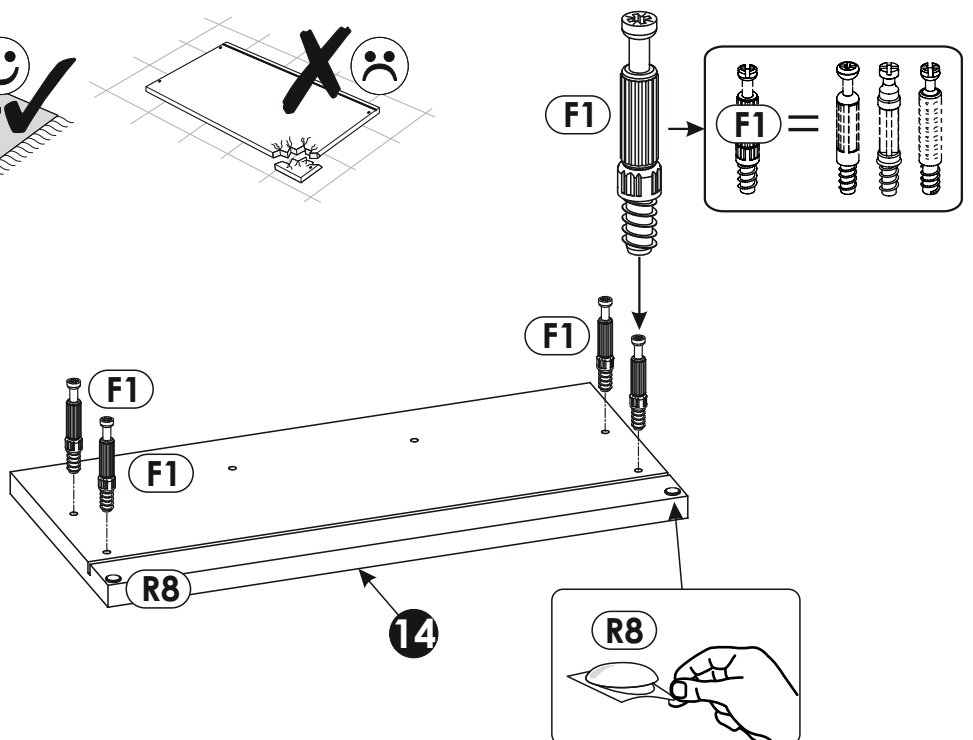
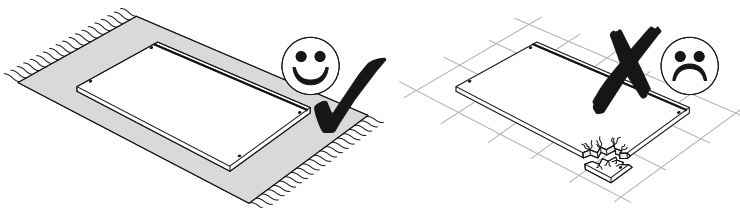
15▶



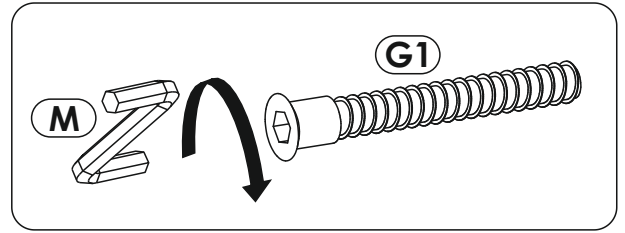
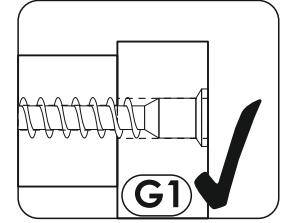
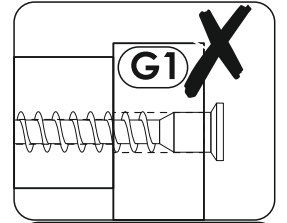
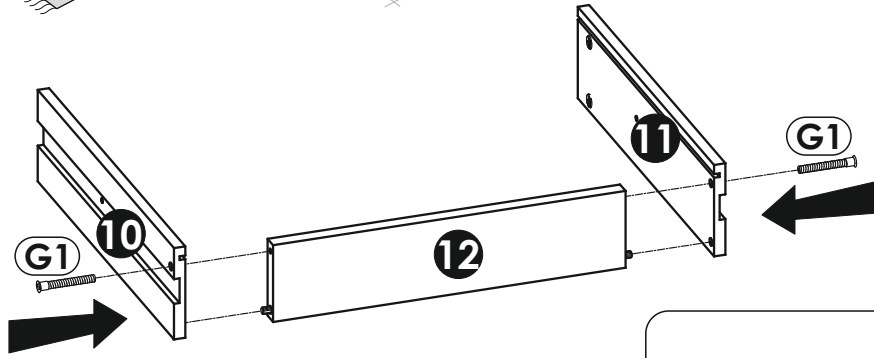
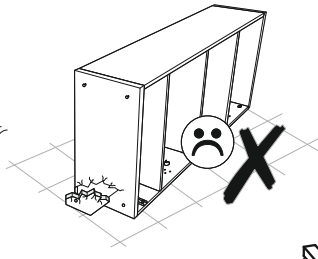
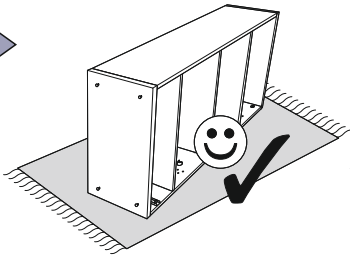
16▶



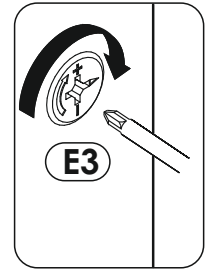
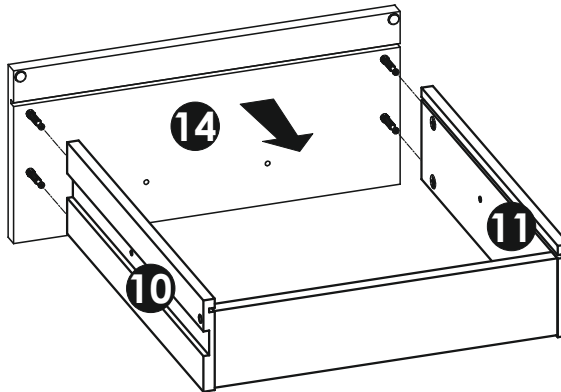
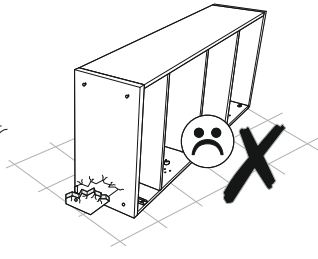
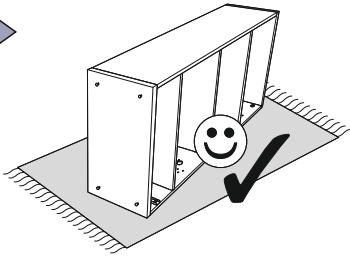
17▶



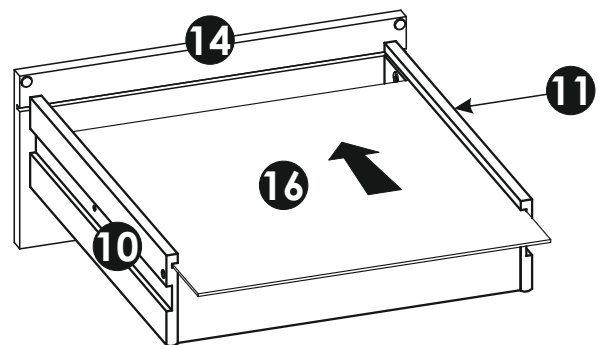
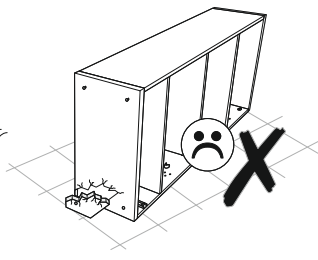
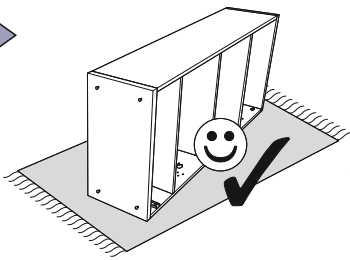
18▶



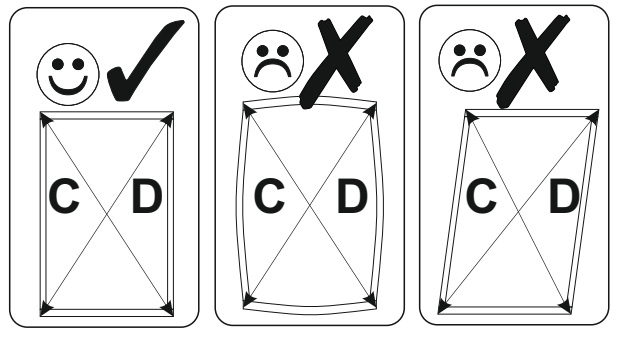
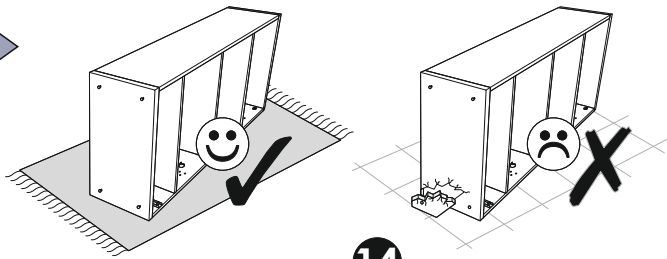
19▶



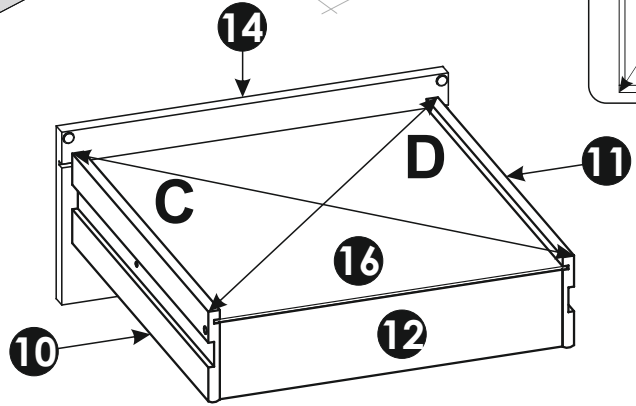
20▶



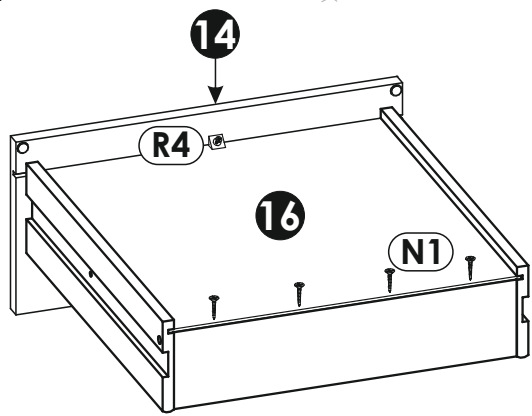
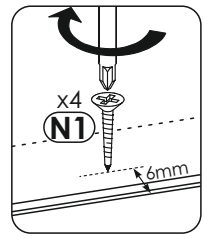
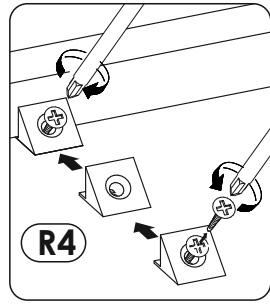
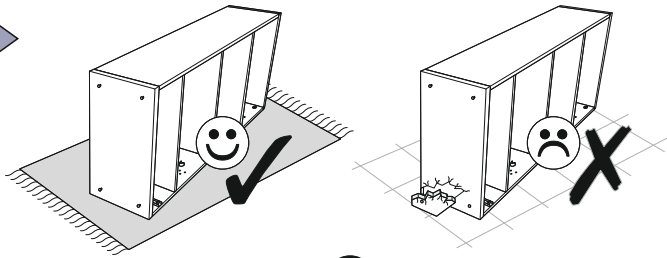
21 ▶



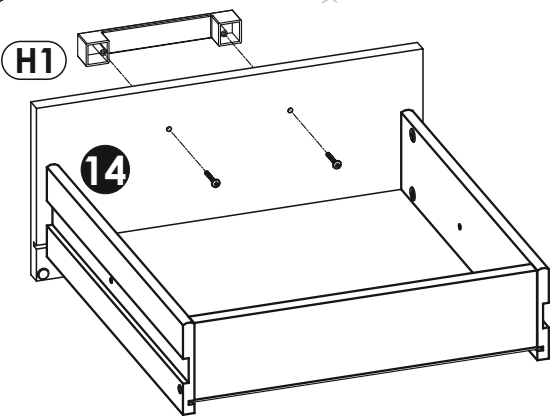
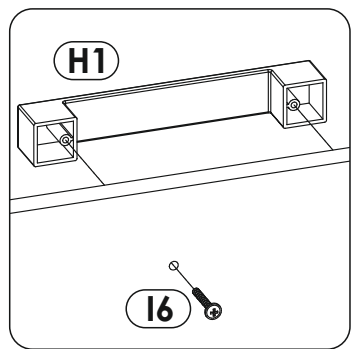
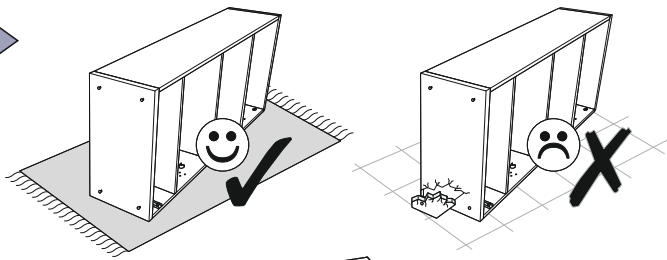
C=D



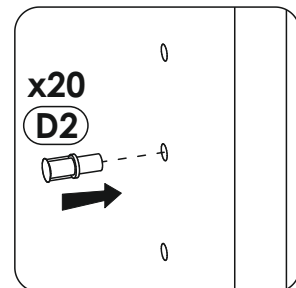
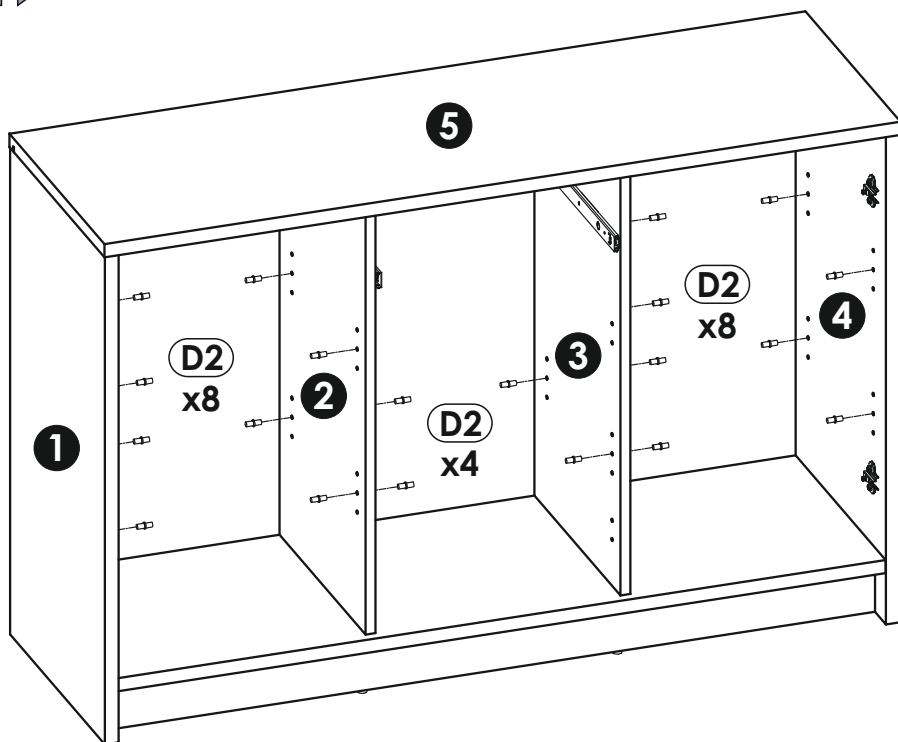
22 ▶



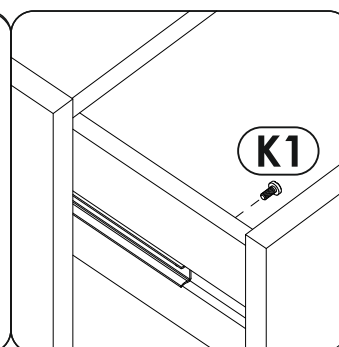
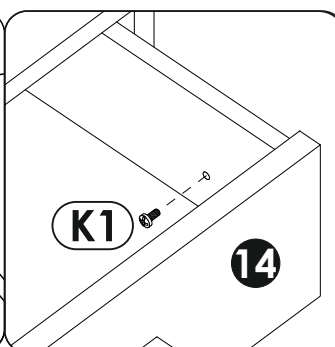
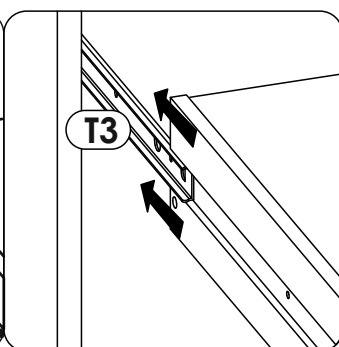
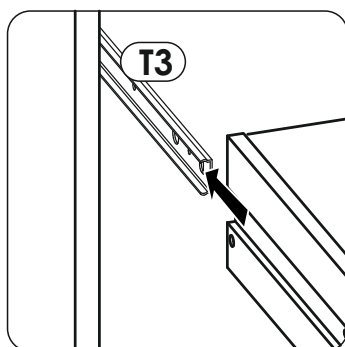
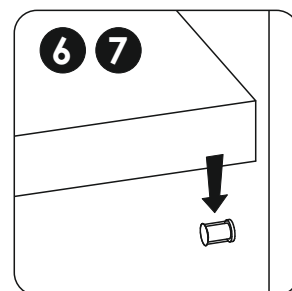
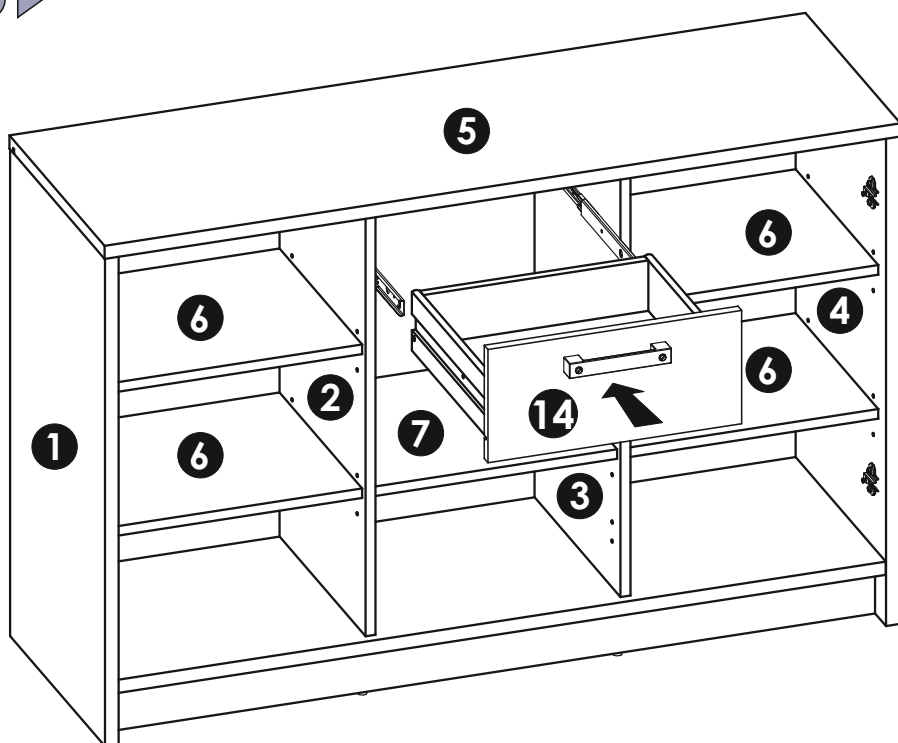
23 ▶

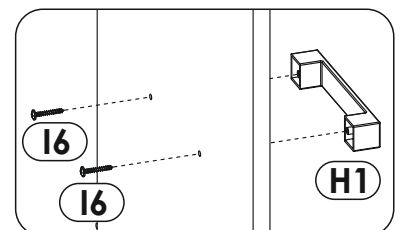
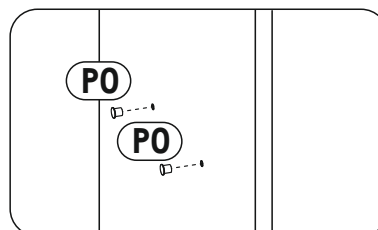
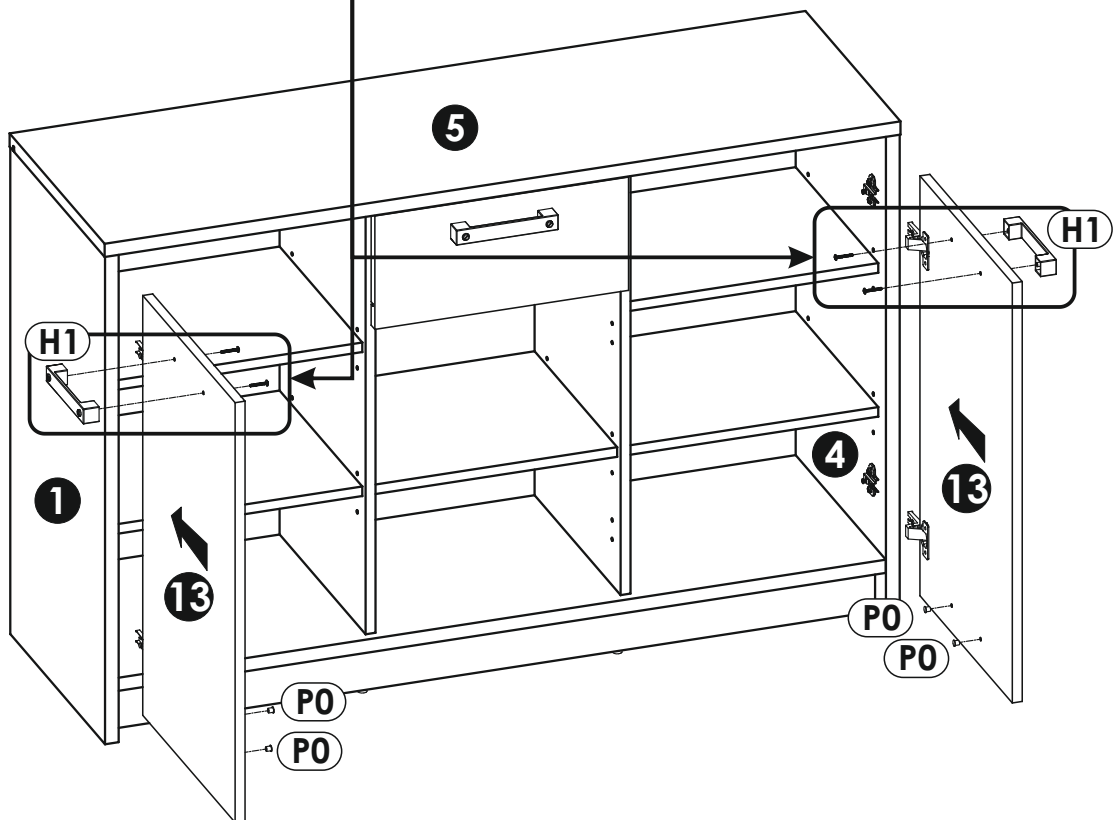
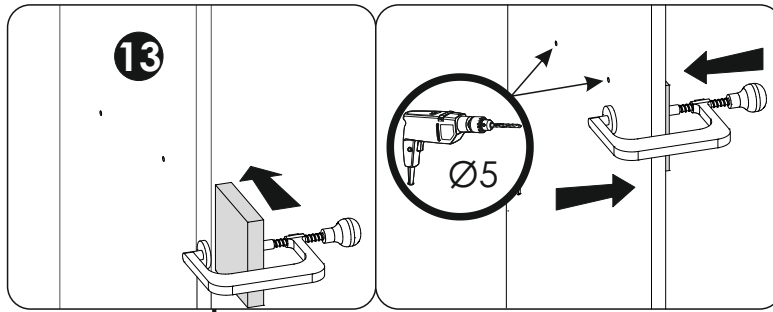
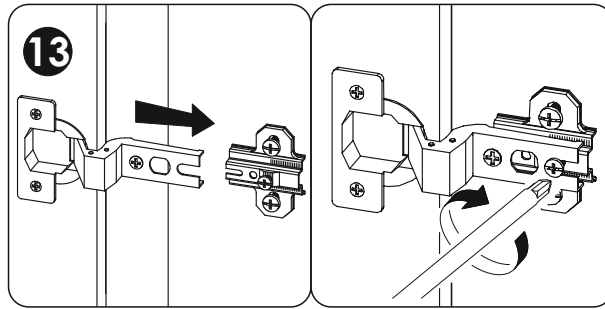


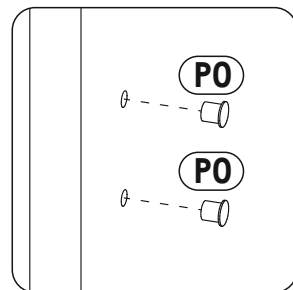
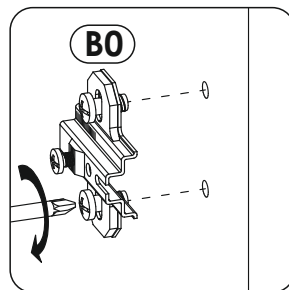
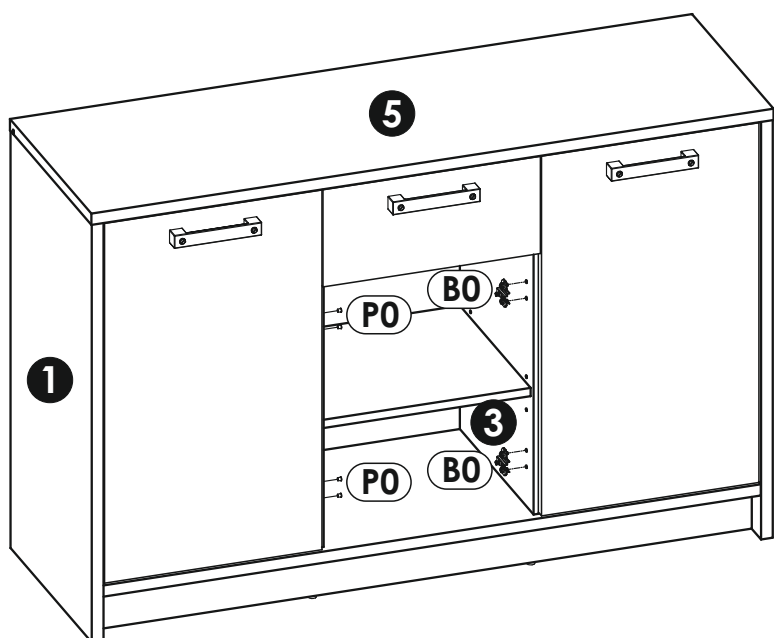
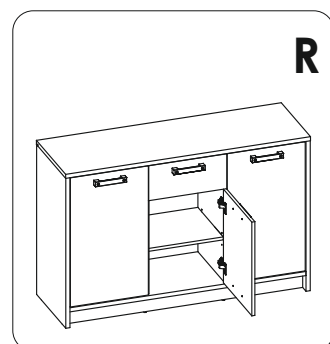
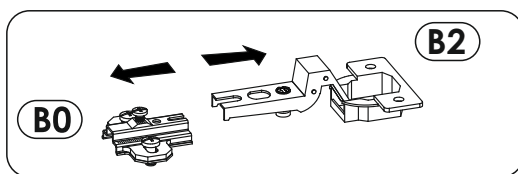
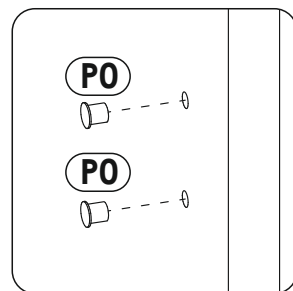
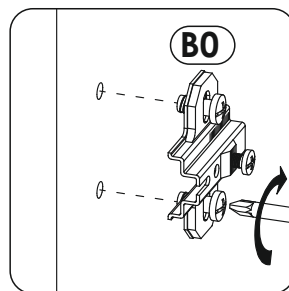
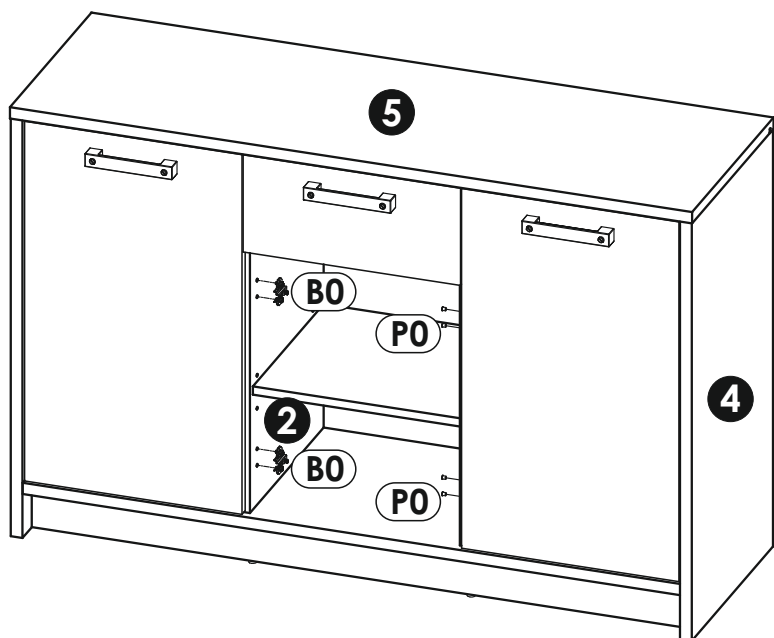
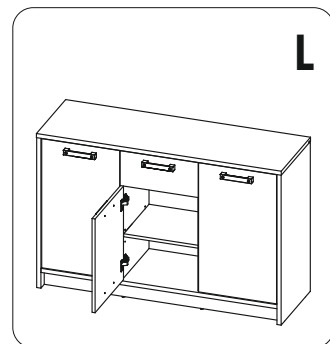
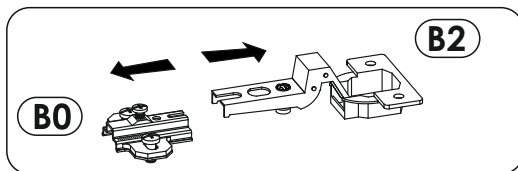
24 ▶

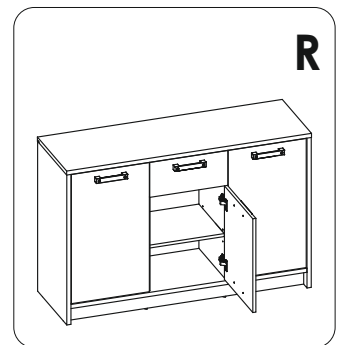
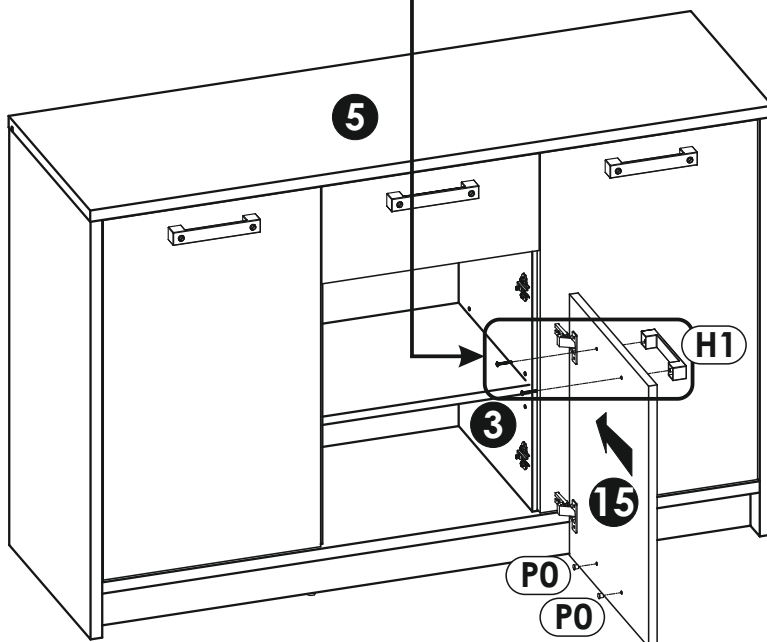
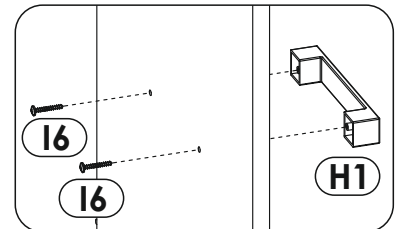
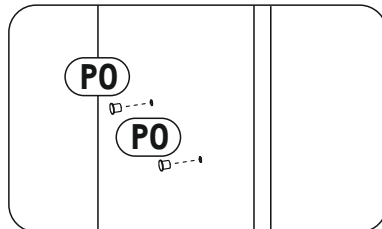
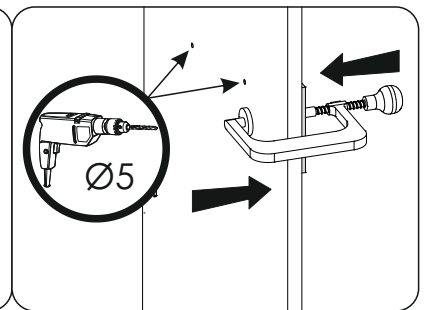
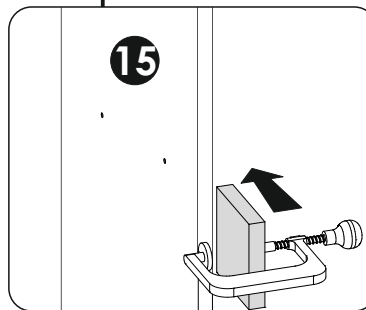
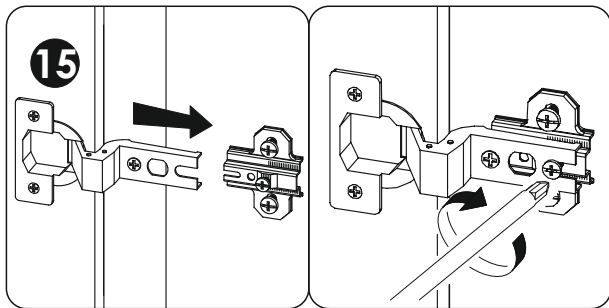
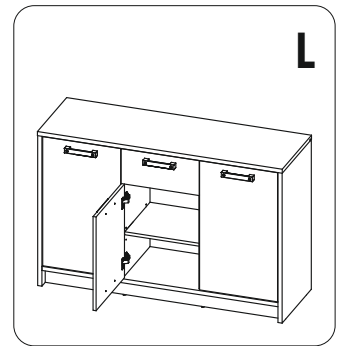
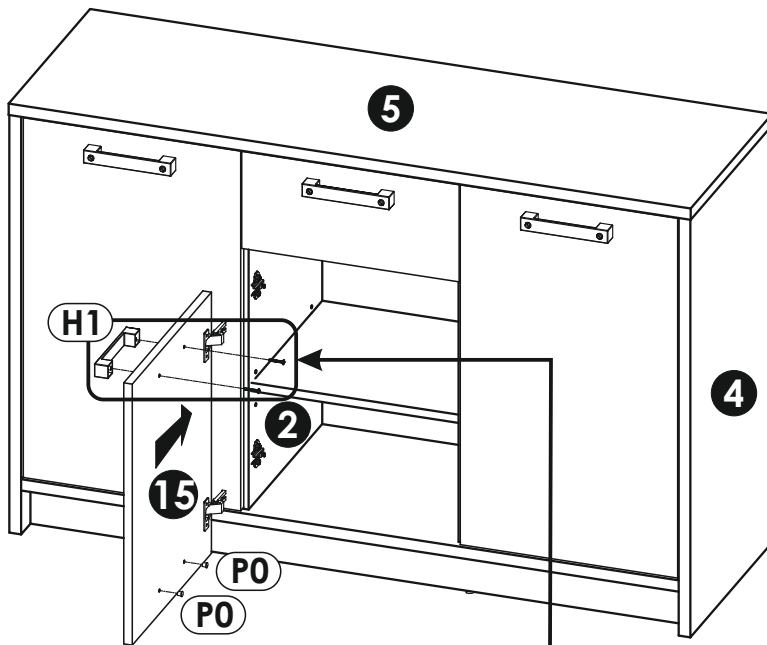


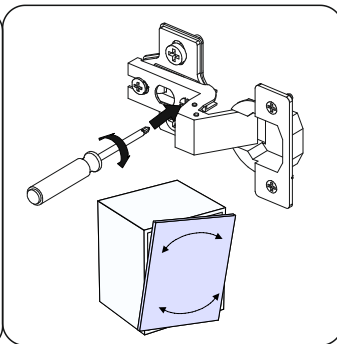
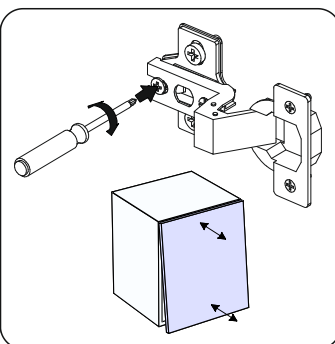
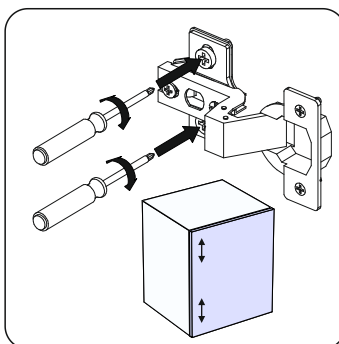
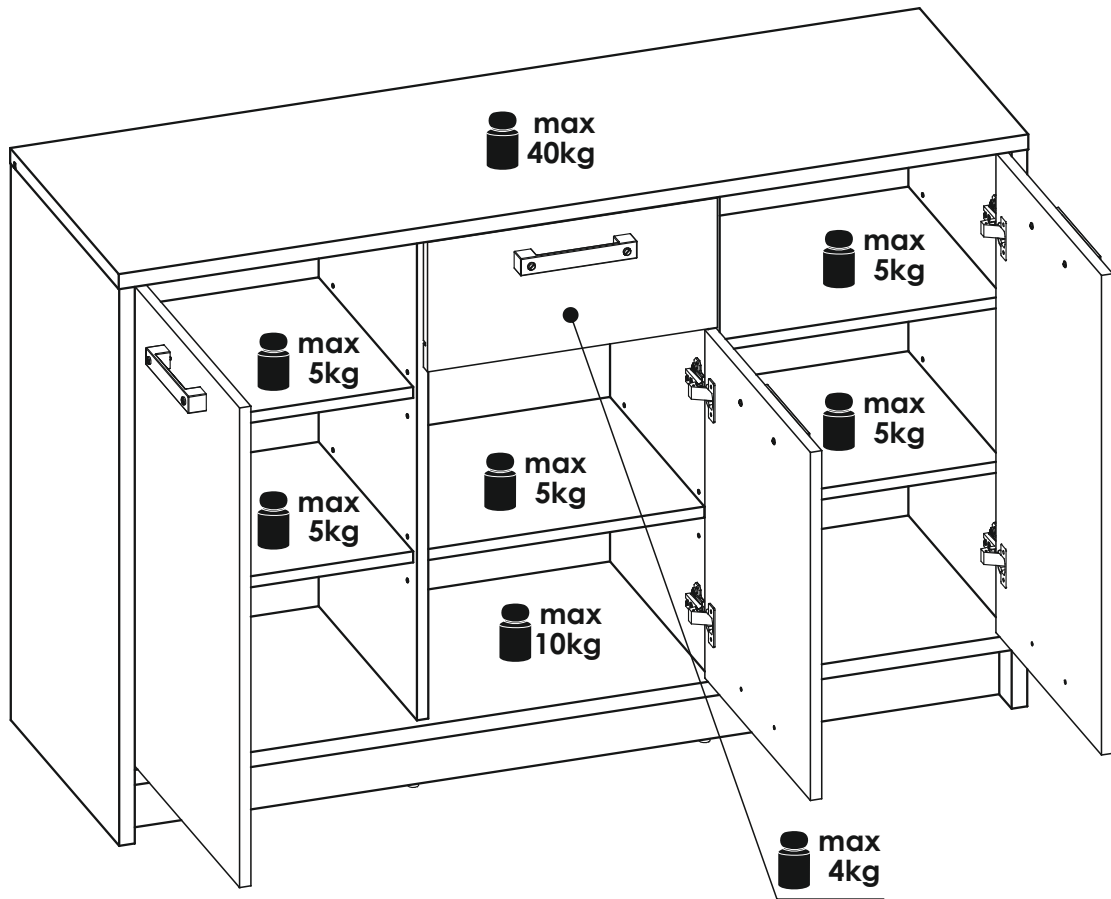
25 ▶

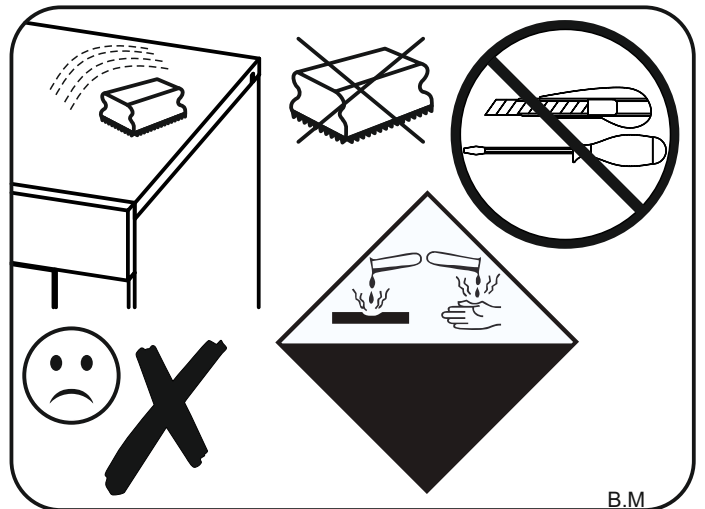
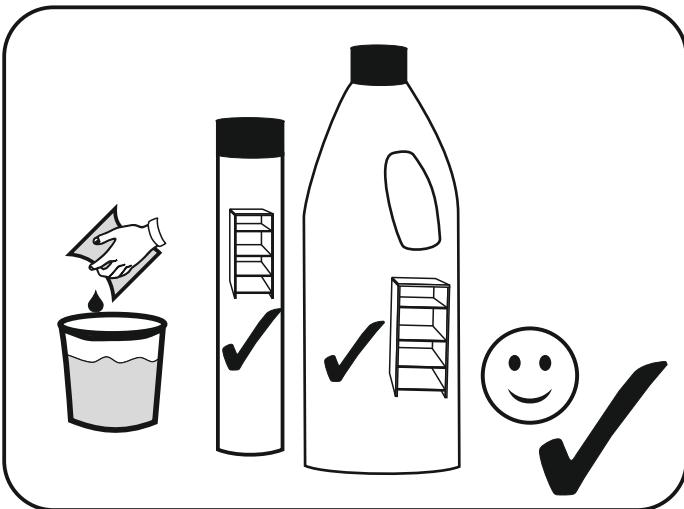
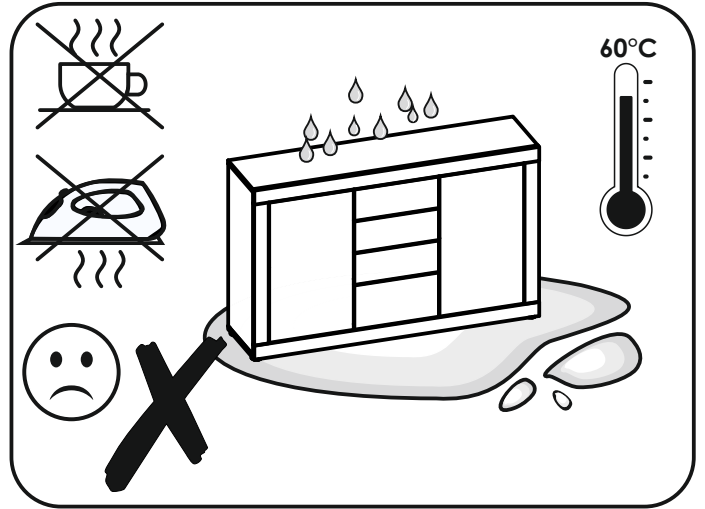
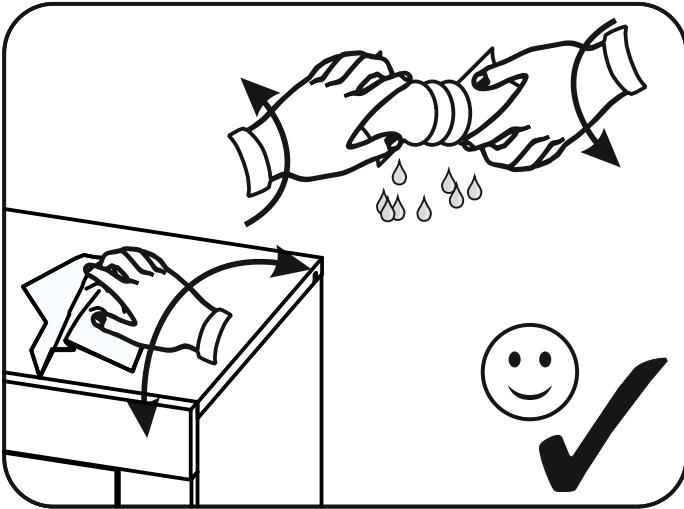
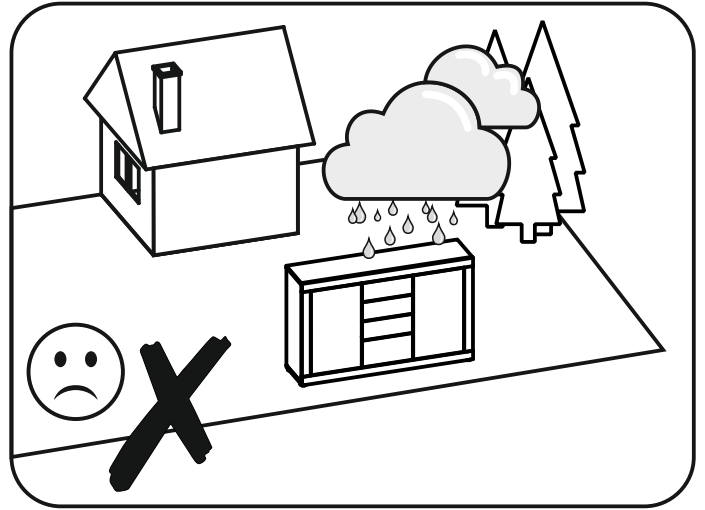
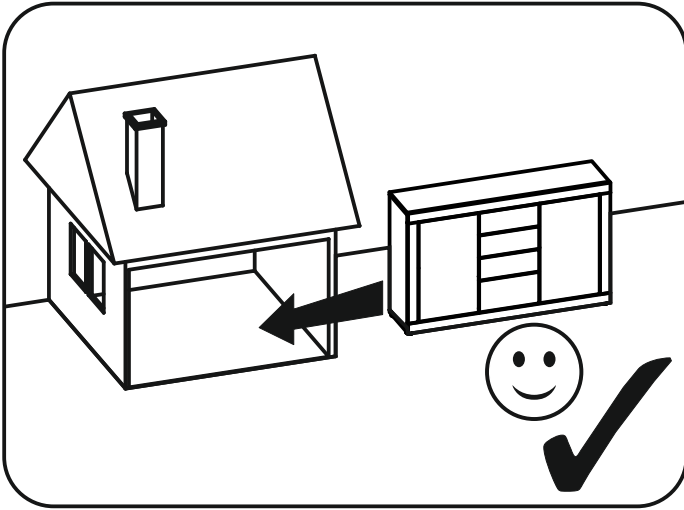
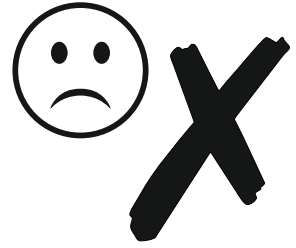












B.M