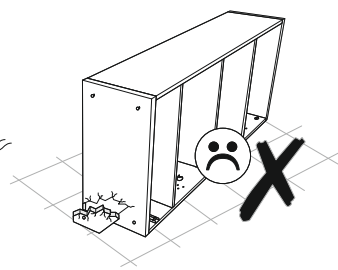
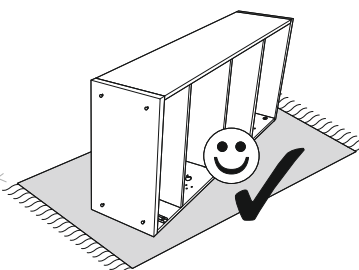
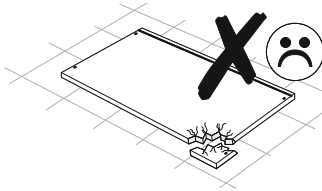
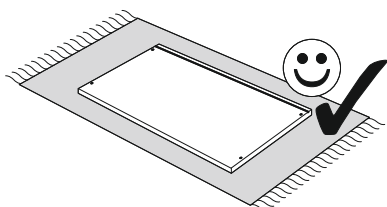
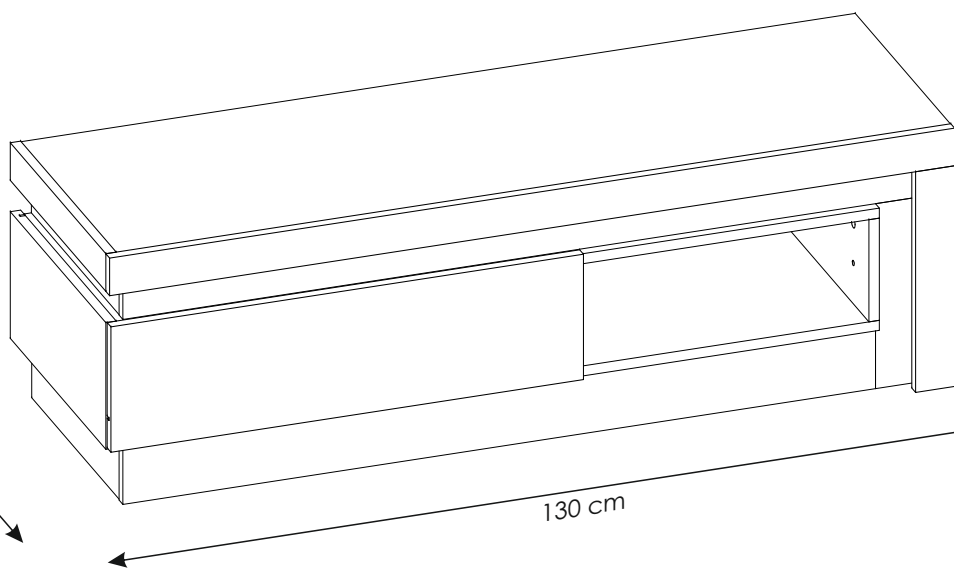
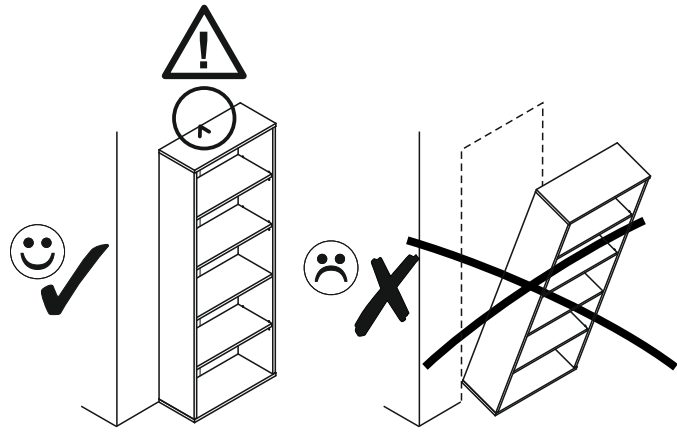


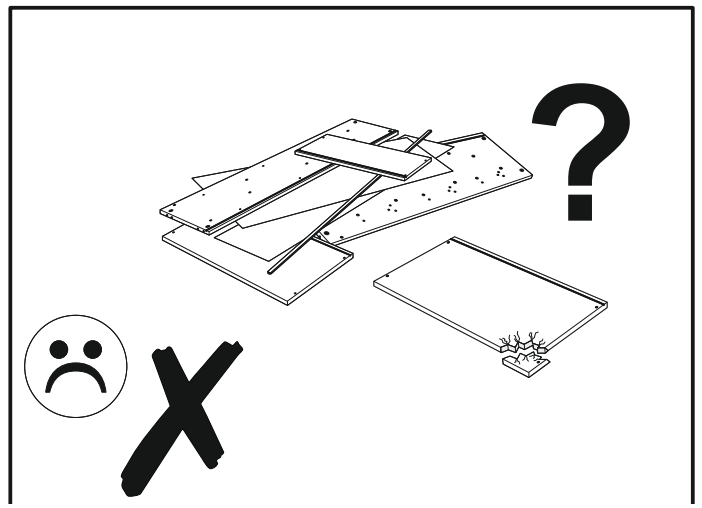
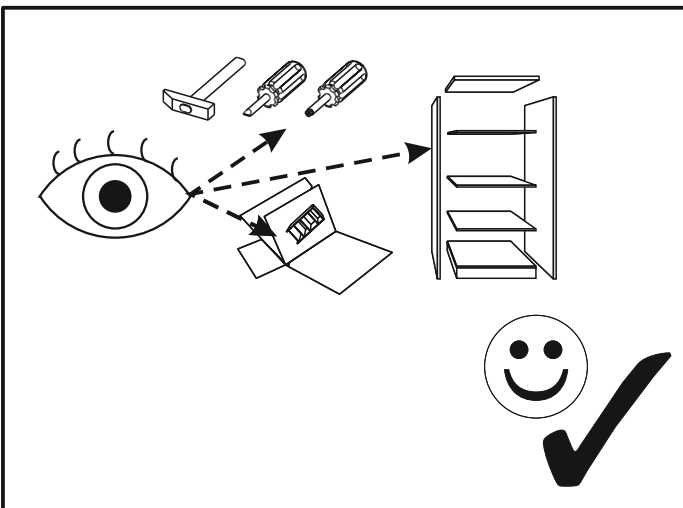
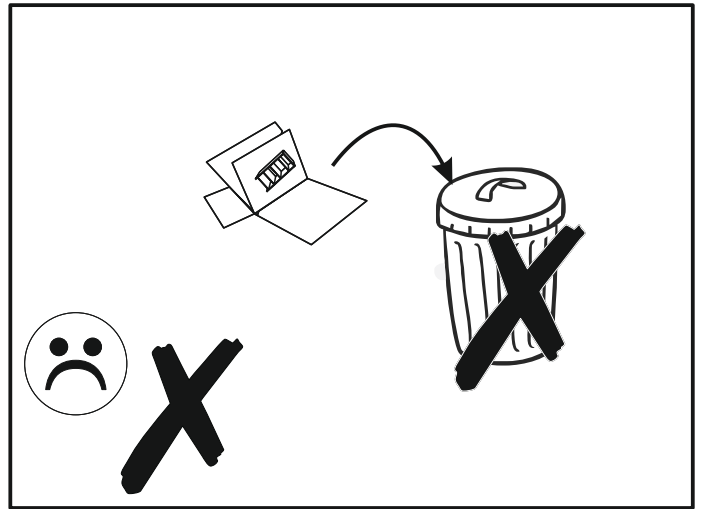
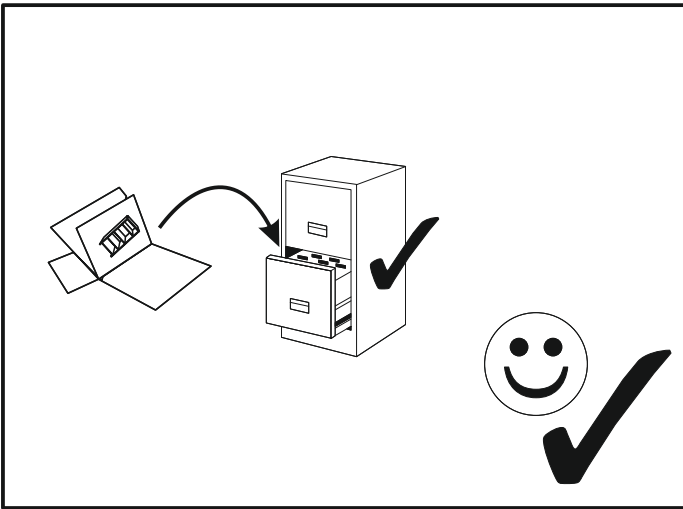
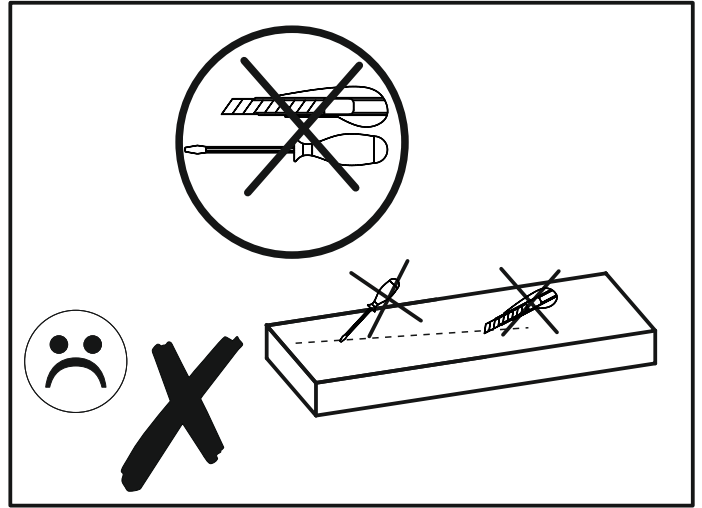
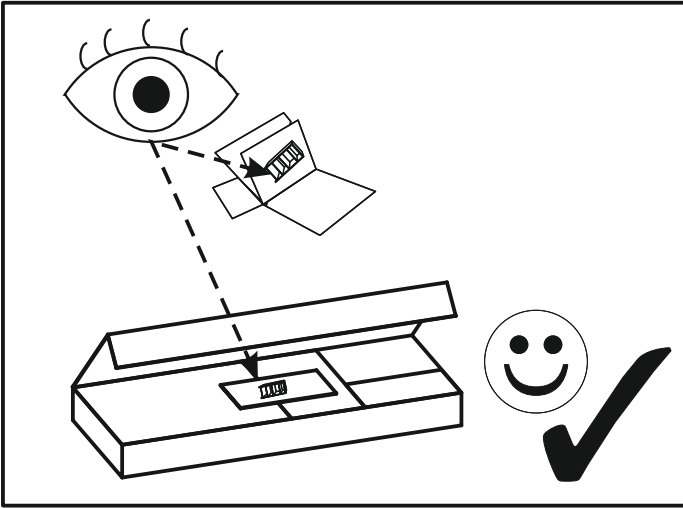
41.7 cm

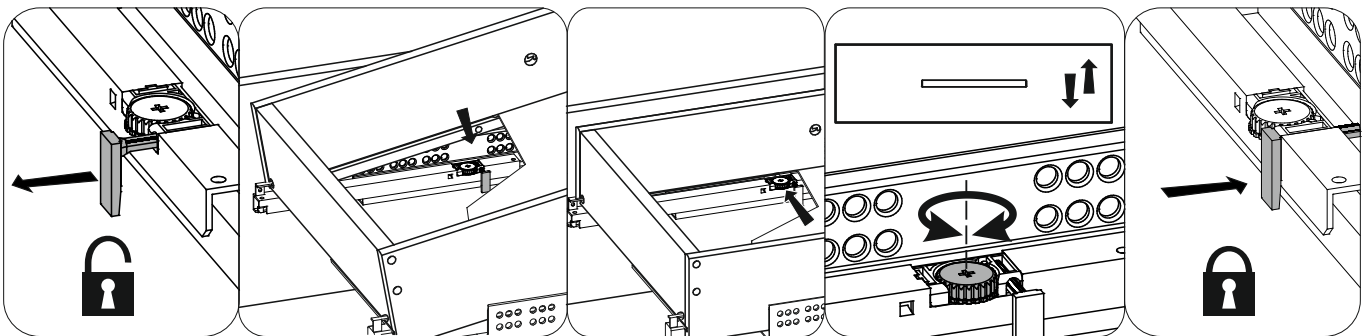
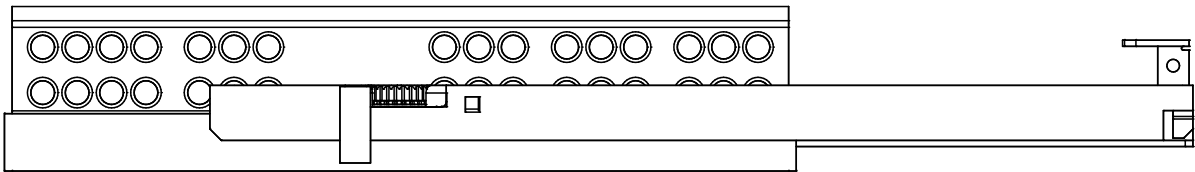
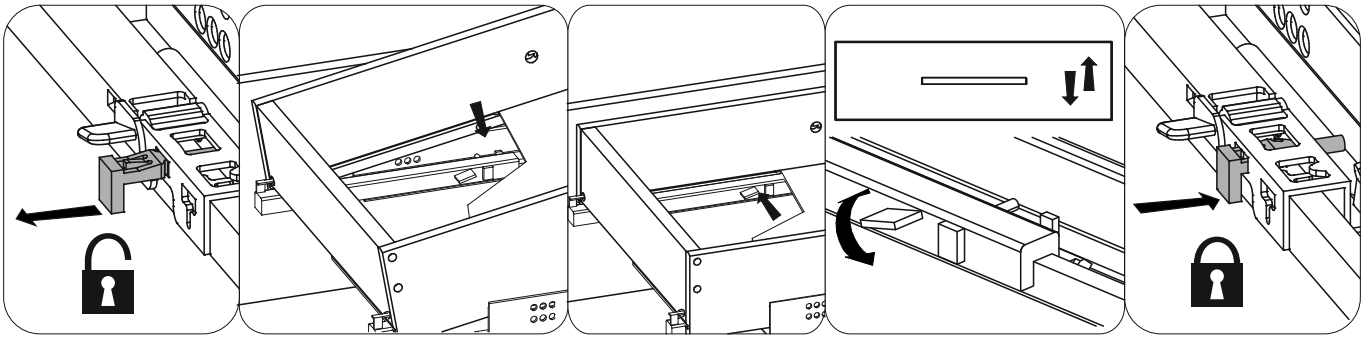
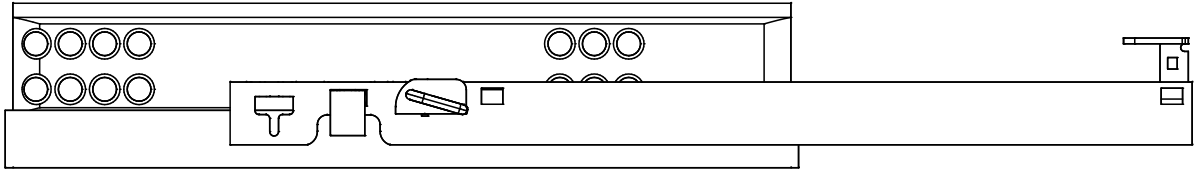
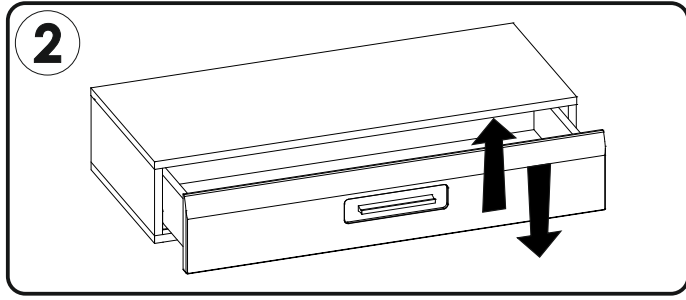
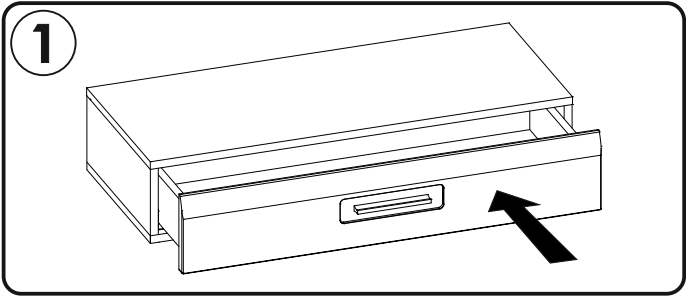
42 cm

130 cm

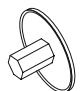

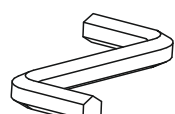
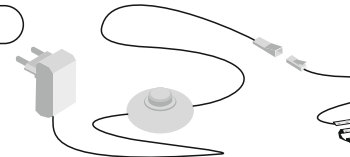

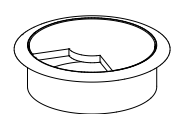
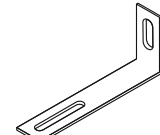
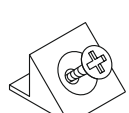
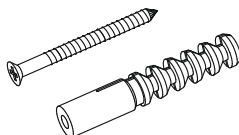
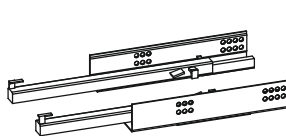
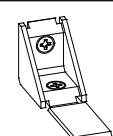
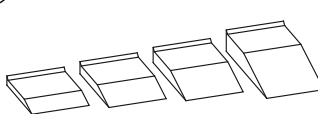


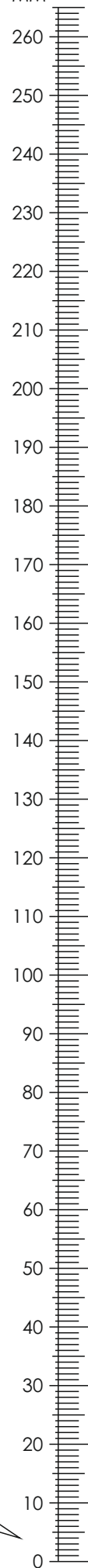
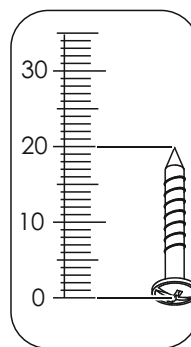


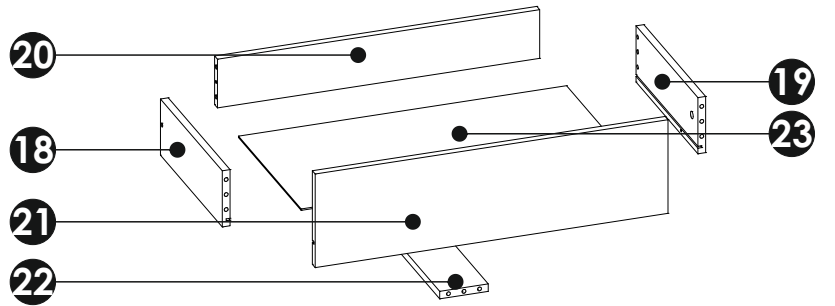
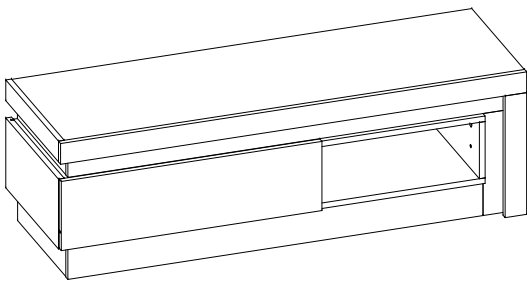
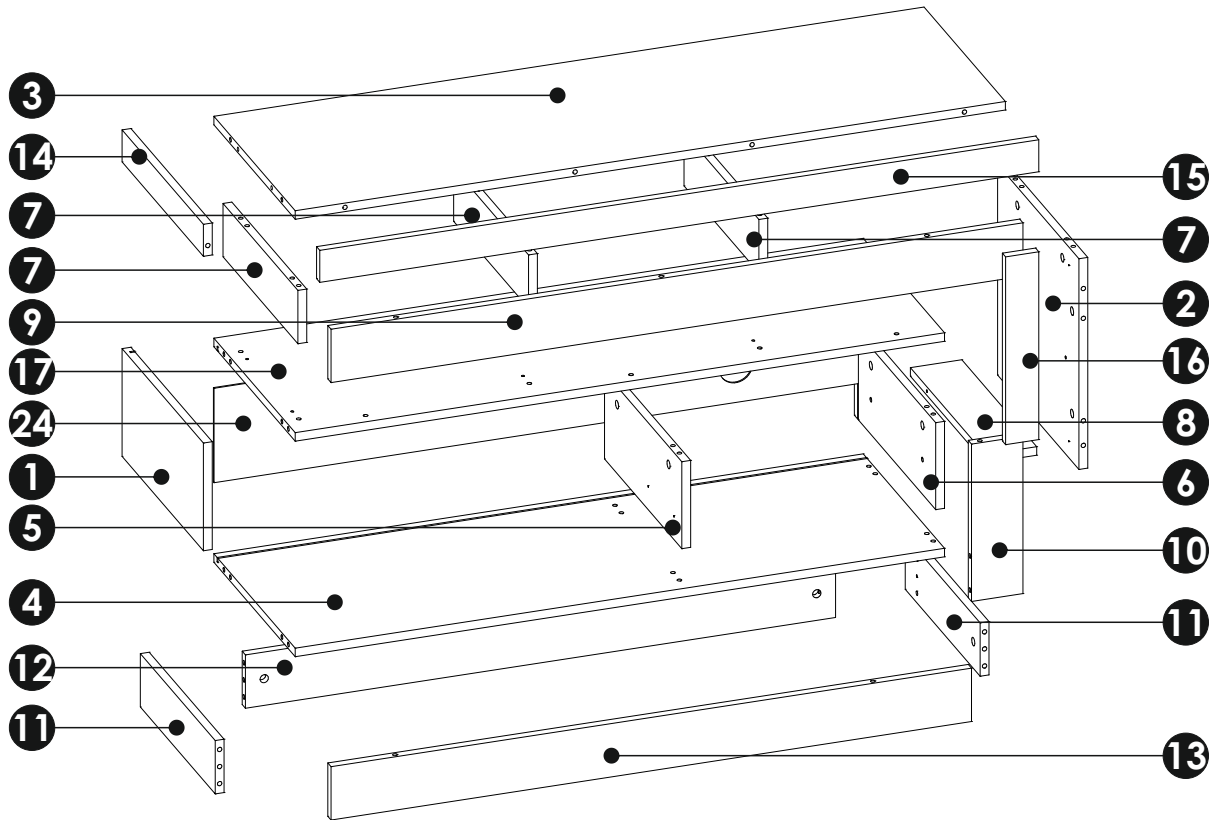




MM

A1	8 x 35 mm	x55	A2	8 x 45 mm	x2	C2	5 x 13 mm	x4
E0		x37	E1	15 x 12 mm	x47	F1	6 x 34 mm	x43
F3	7 x 58 mm	x2	G0		x8	G1	7 x 50 mm	x8
I2	4 x 16 mm	x2	J10	3,5 x 40 mm	x2	M		x1
L		x1	N1	3 X 16 mm	x10	N2	3,5 X 16 mm	x16
O2		x8	P26		x1	Q9		x2
R4		x6	S13		x2	T10		x1
W		x8	Z		x1			

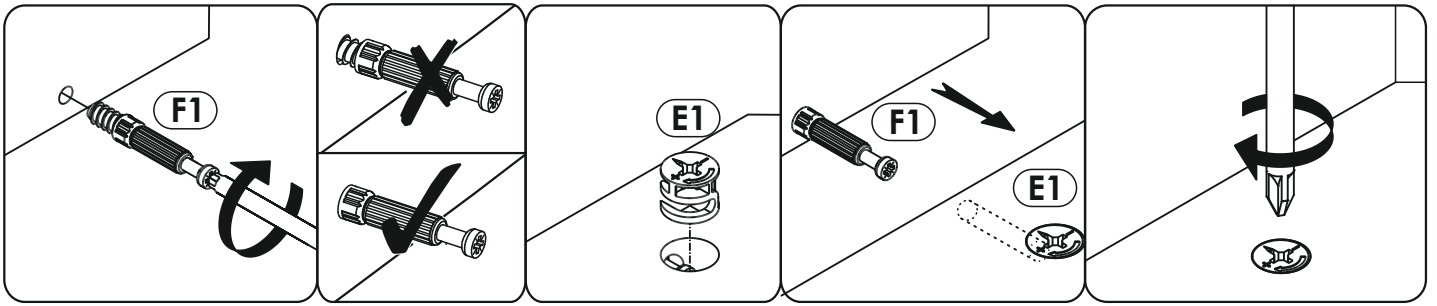




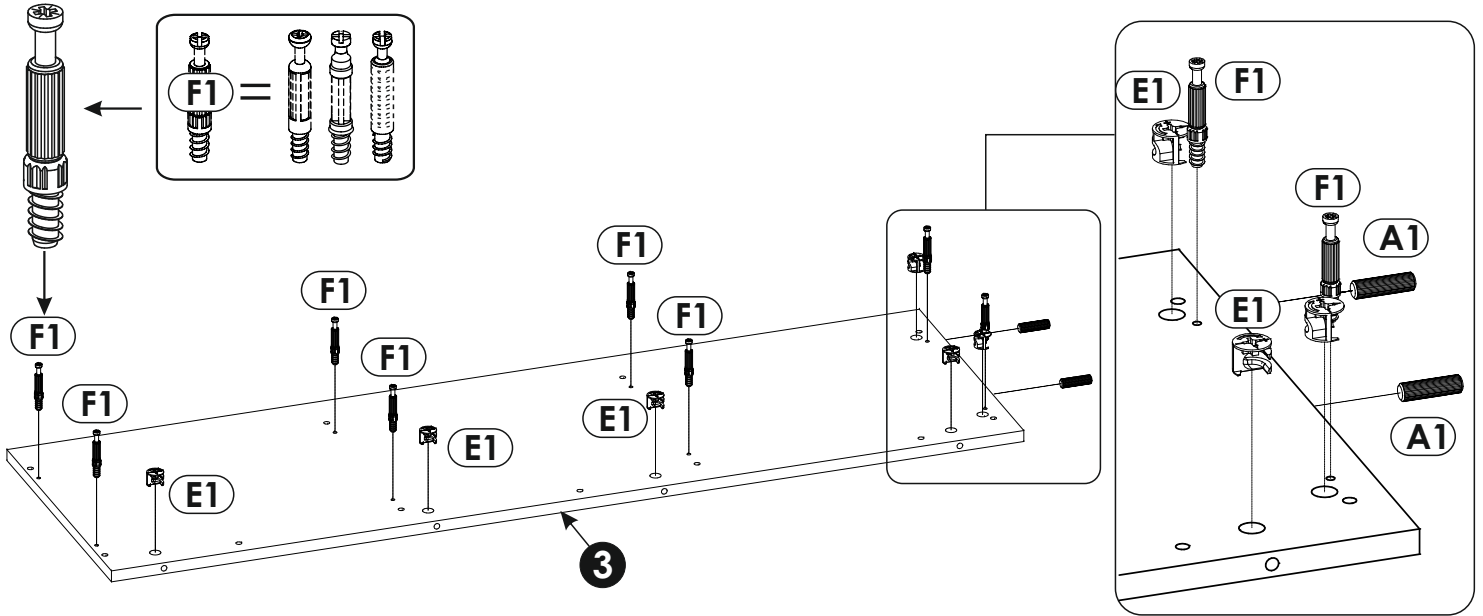
1	202	404	16	x1	1/2
2	395	404	16	x1	1/2
3	1284	404	16	x1	2/2
4	1174	404	16	x1	2/2
5	163	384	16	x1	1/2
6	163	404	16	x1	2/2
7	372	100	16	x3	1/2
8	372	93	16	x1	1/2

9	1251	100	16	x1	2/2
10	295	93	16	x1	1/2
11	372	100	16	x2	1/2
12	1067	100	16	x1	2/2
13	1158	100	16	x1	2/2
14	404	60	16	x1	1/2
15	1300	60	16	x1	2/2
16	352	60	16	x1	1/2

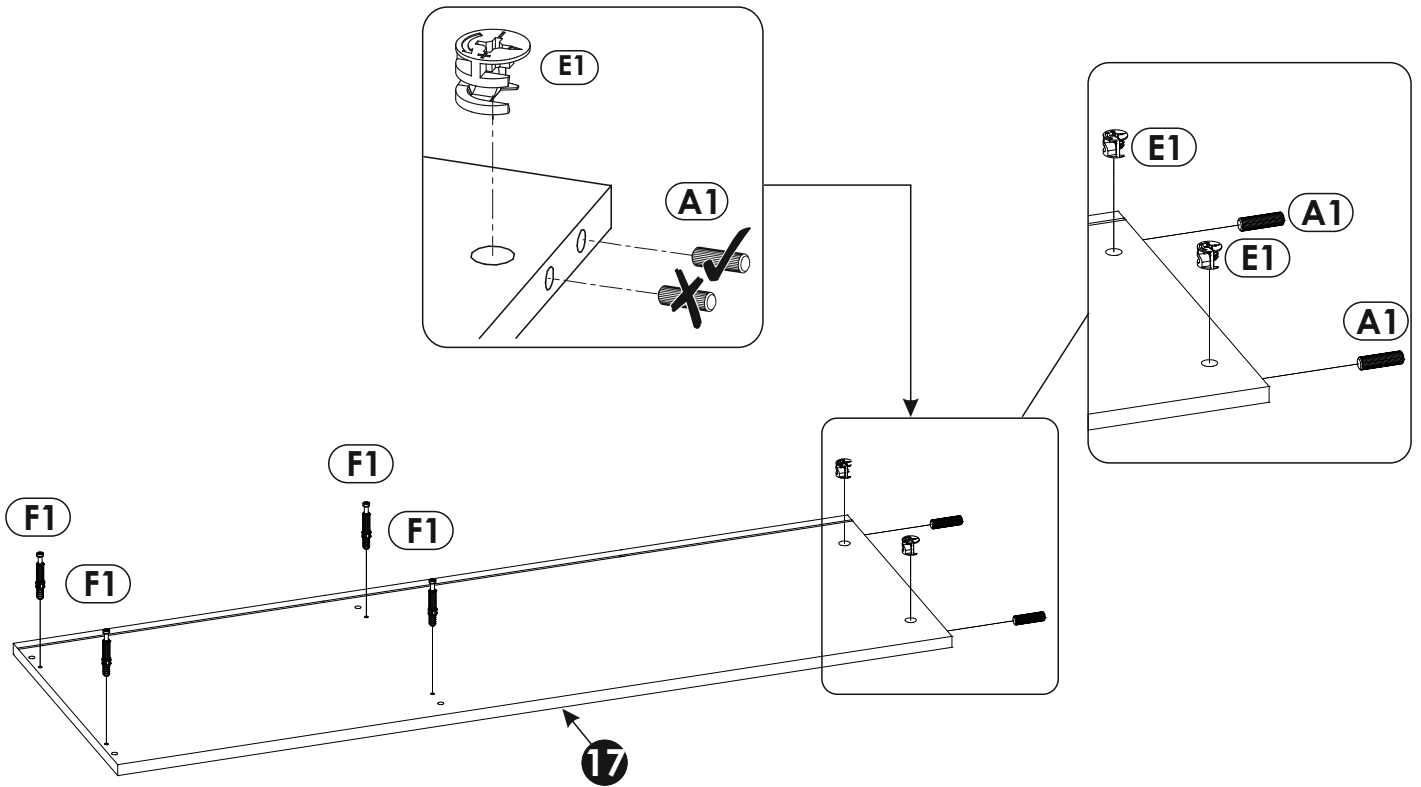
17	1174	404	16	x1	2/2
18	350	120	16	x1	1/2
19	350	120	16	x1	1/2
20	657	104	16	x1	1/2
21	727	200	16	x1	1/2
22	350	100	16	x1	1/2
23	669	355	3	x1	1/2
24	1172	177	3	x1	2/2



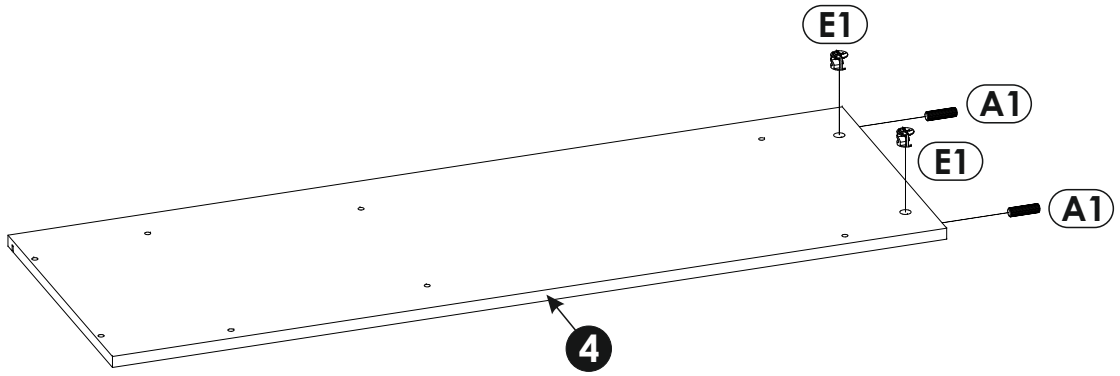
1 ▶



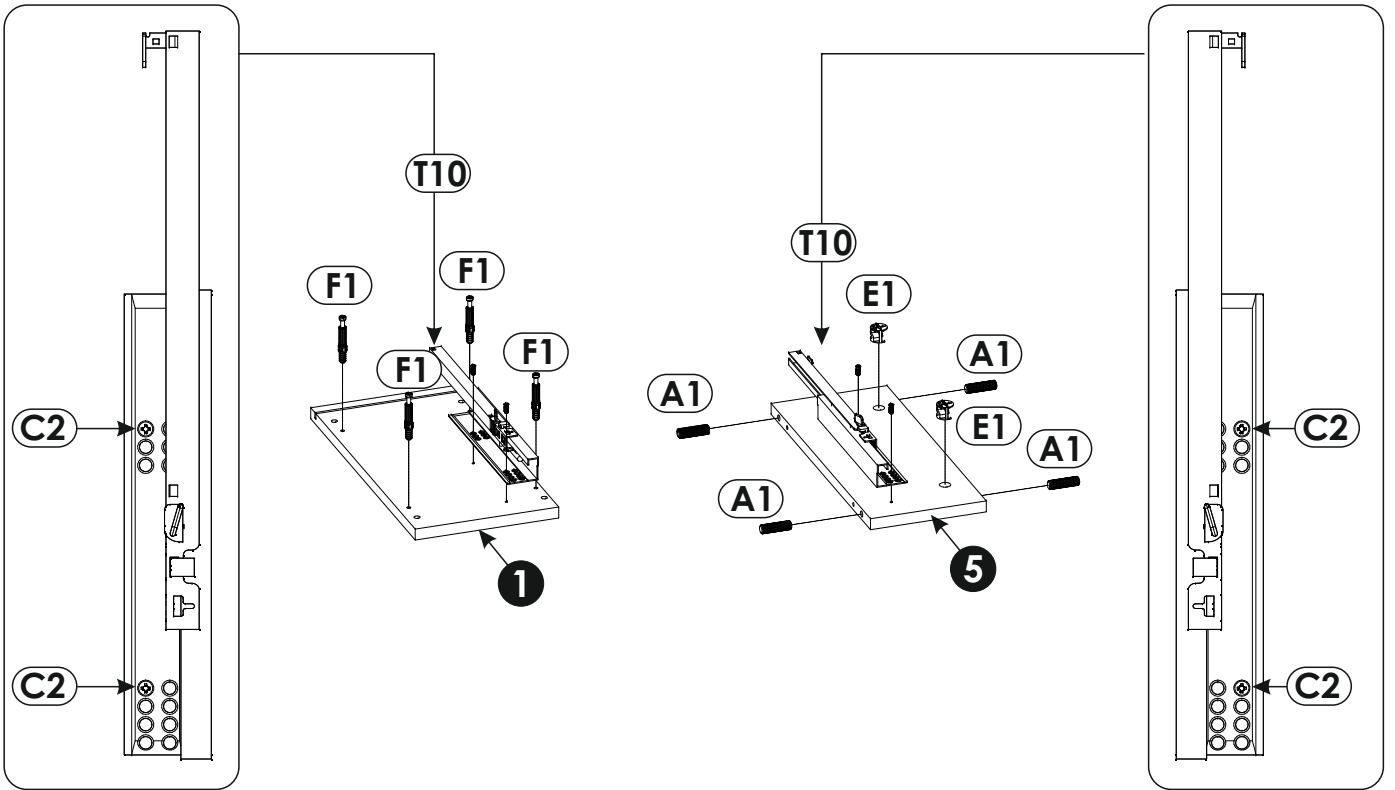
2 ▶



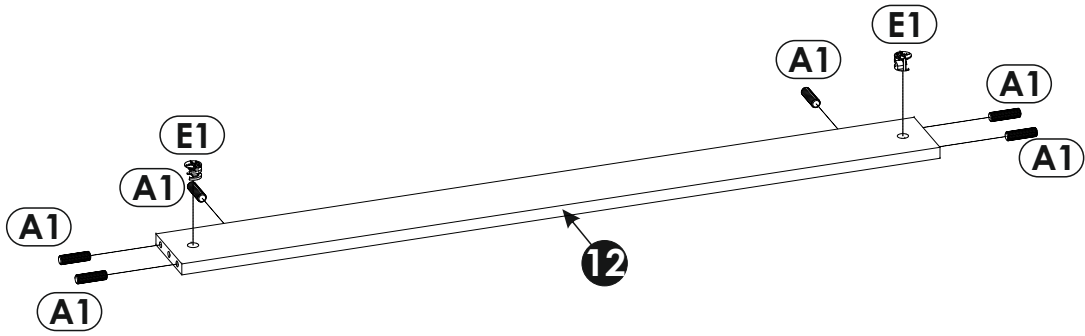
3 ▶



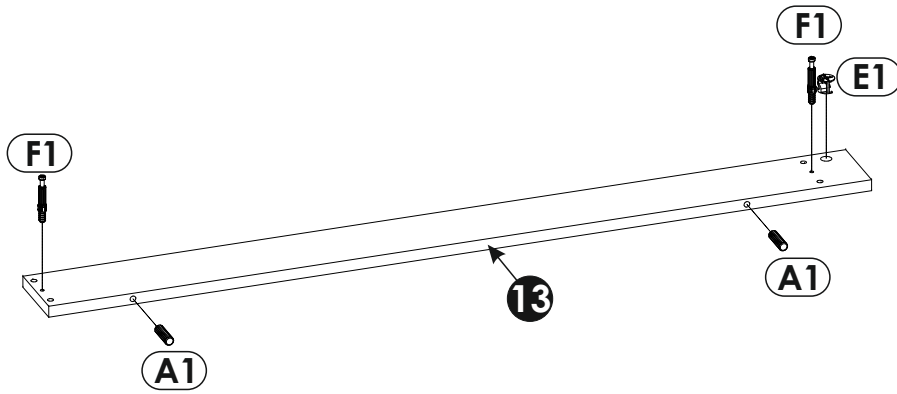
4 ▶



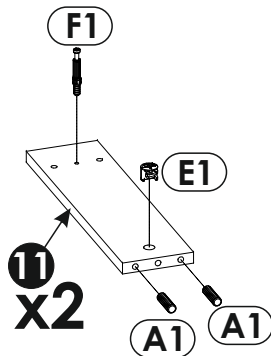
5 ▶



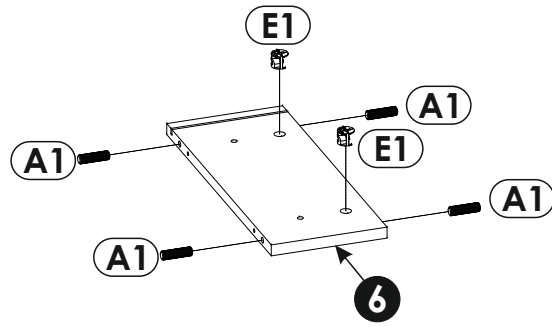
6 ▶



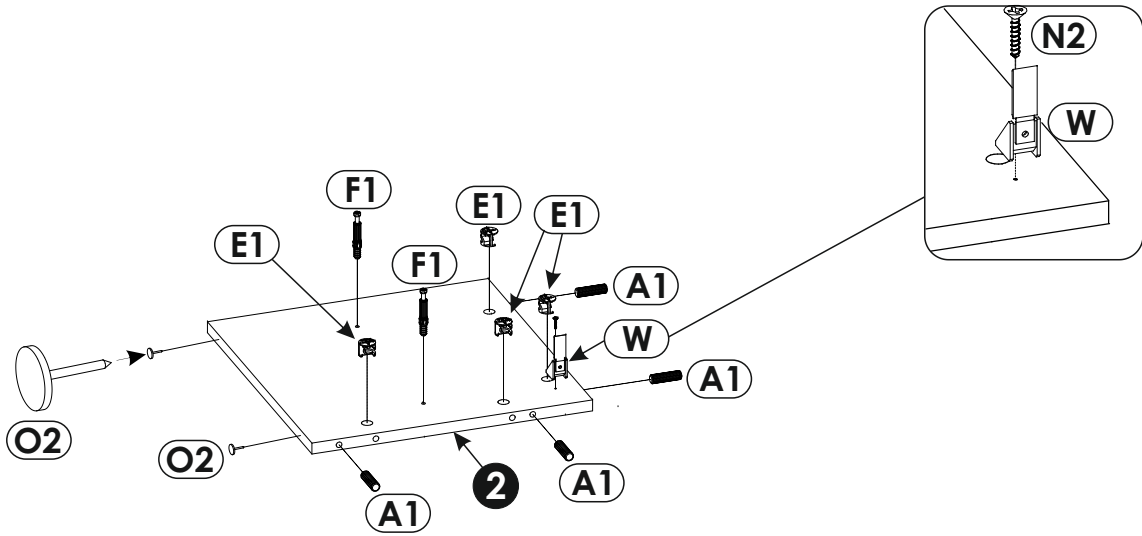
7 ▶



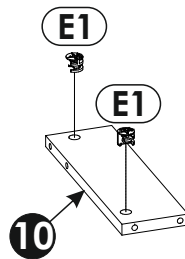
8 ▶



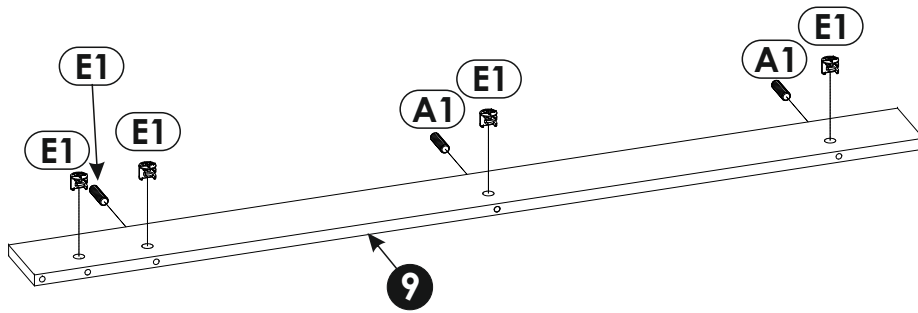
9 ▶



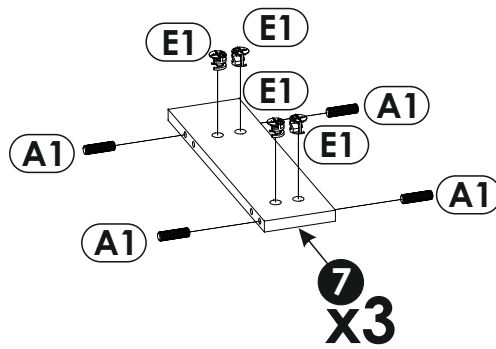
10 ▶



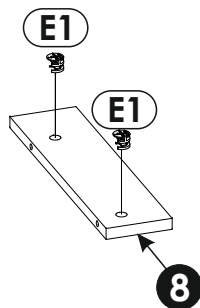
11 ▶



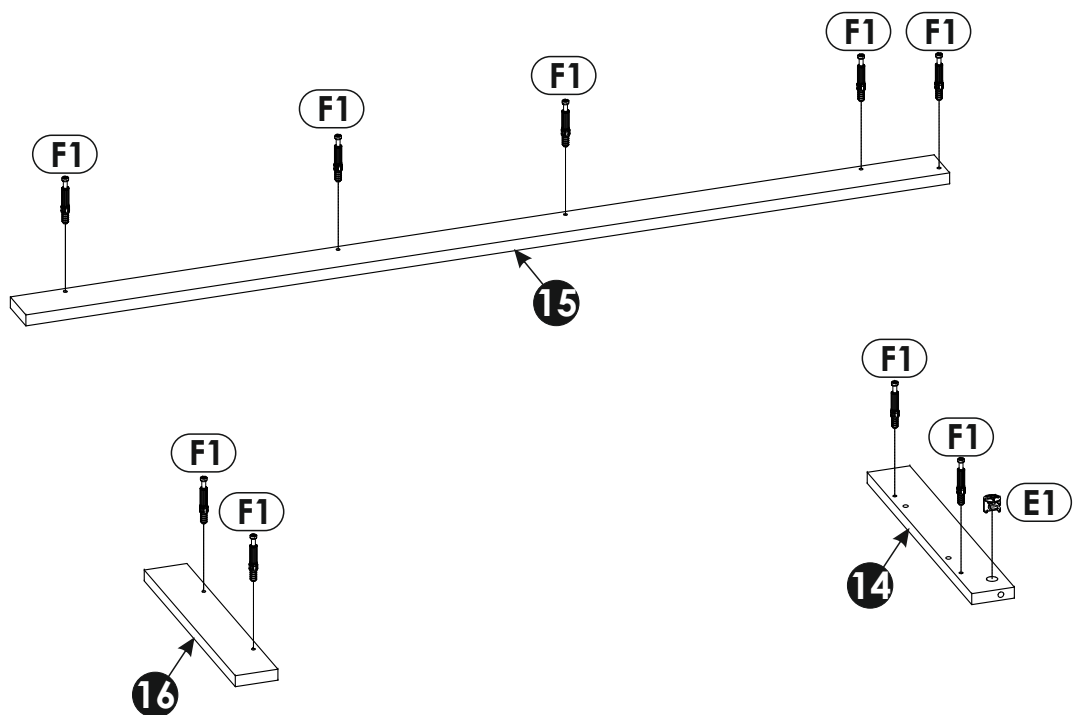
12 ▶



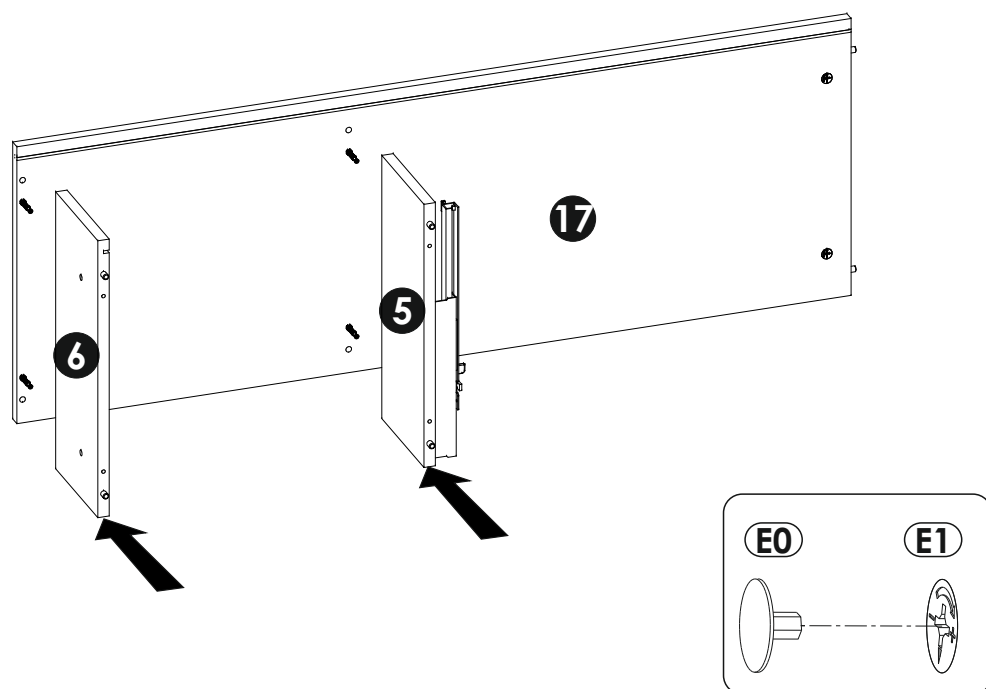
13 ▶



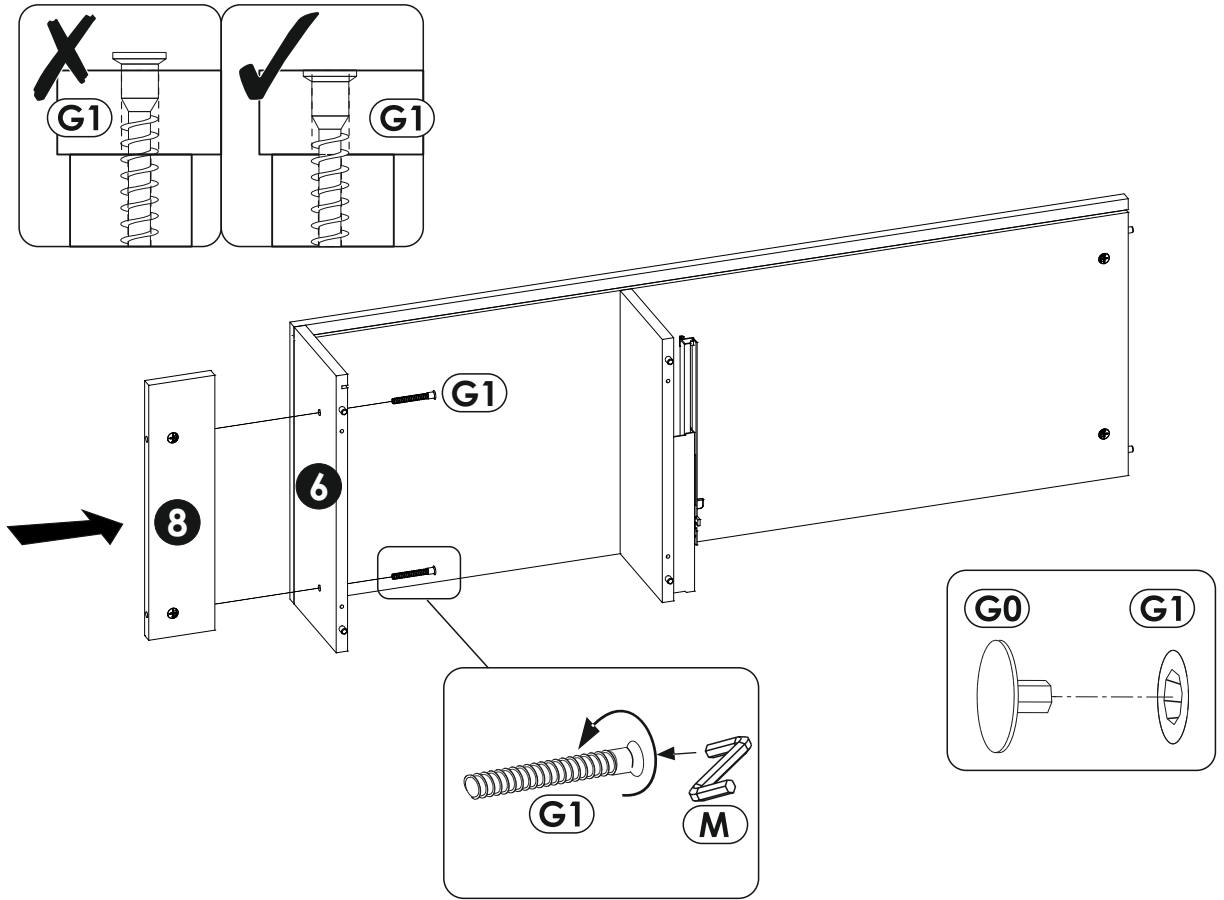
14▶



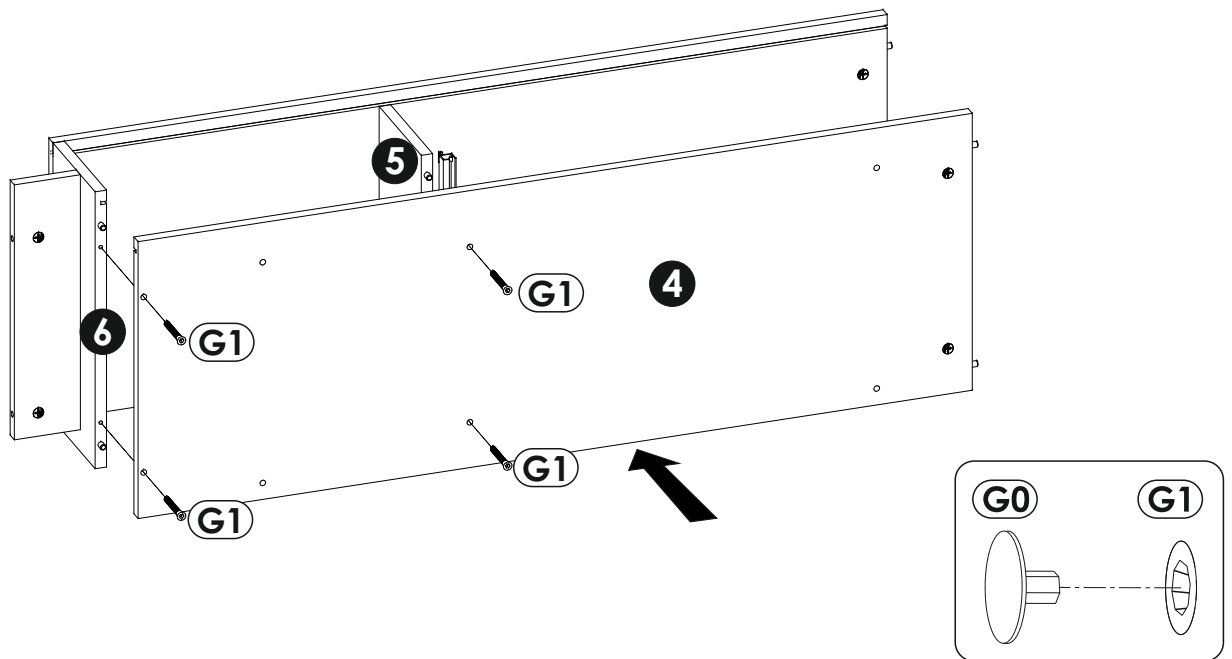
15▶



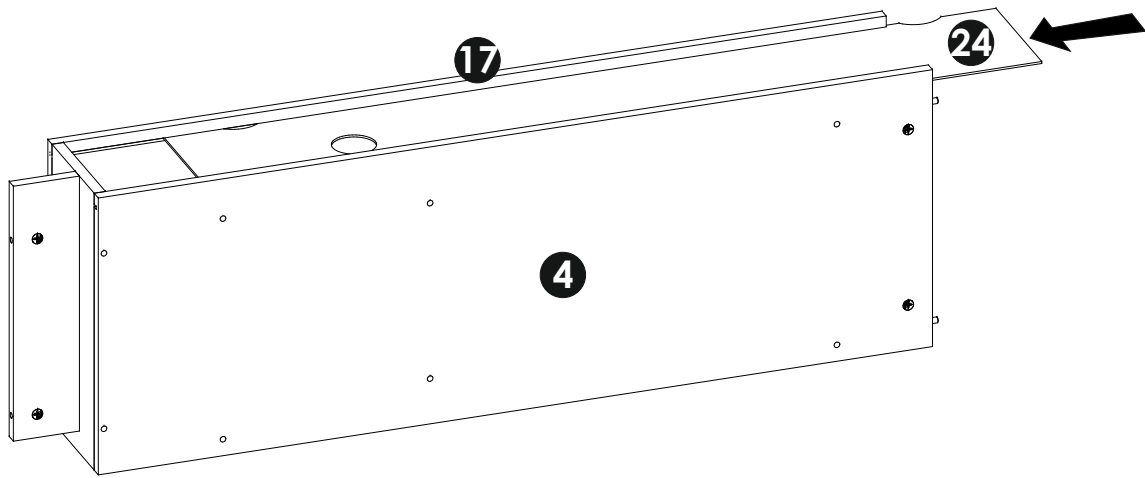
16▶



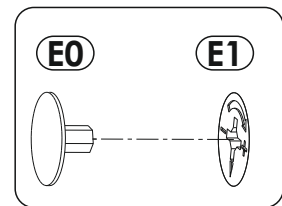
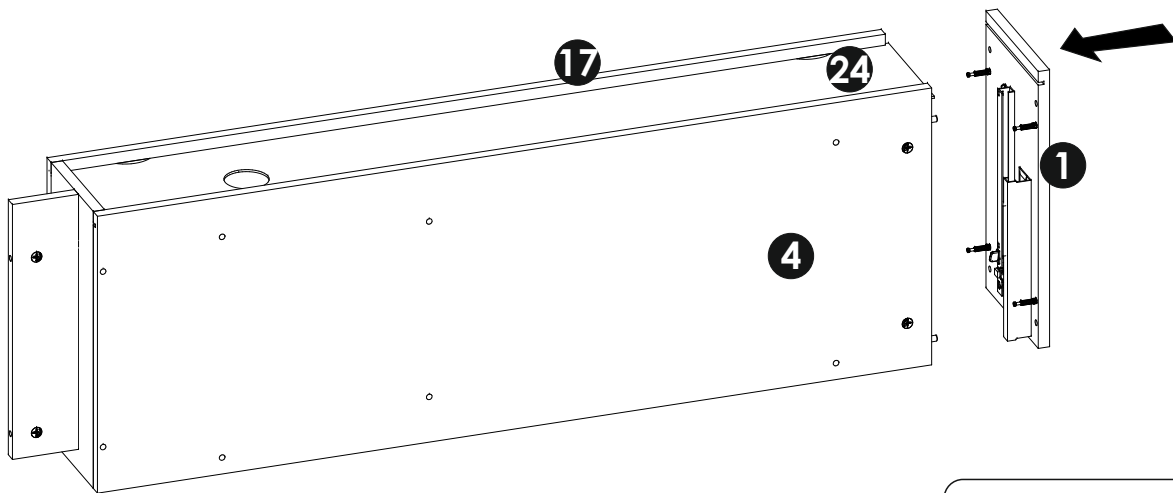
17▶



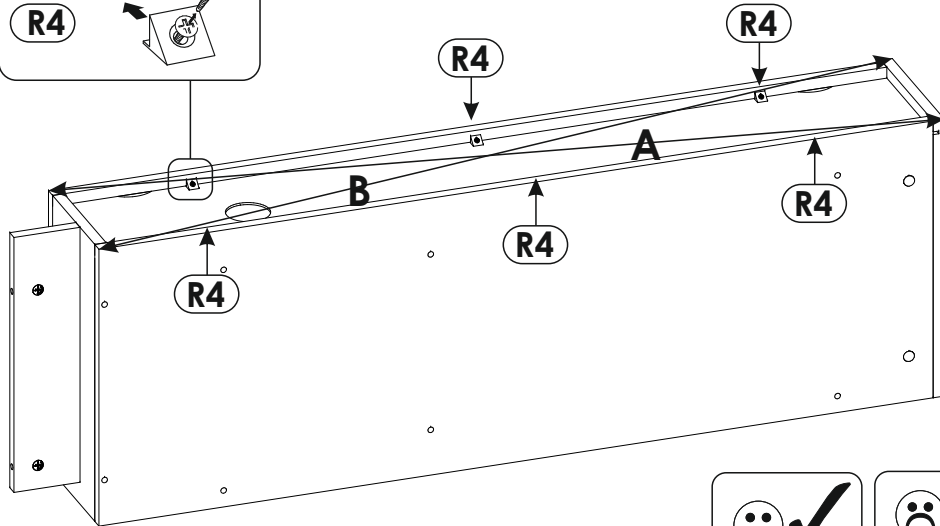
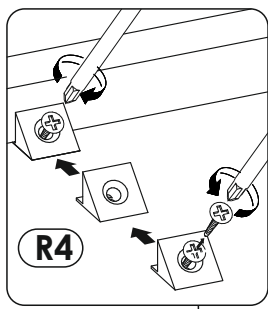
18▶



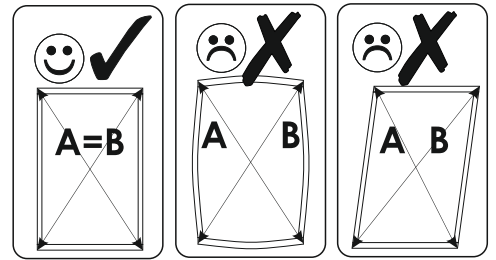
19▶



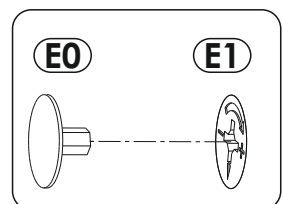
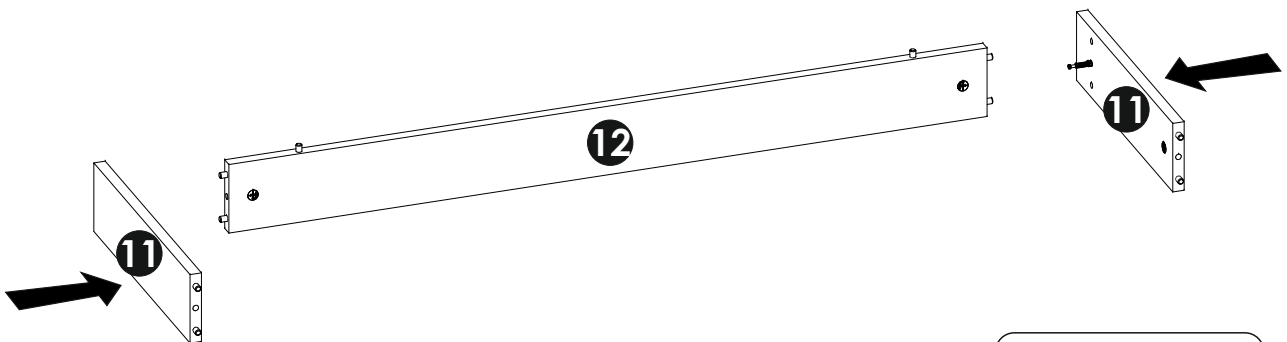
20 ▶



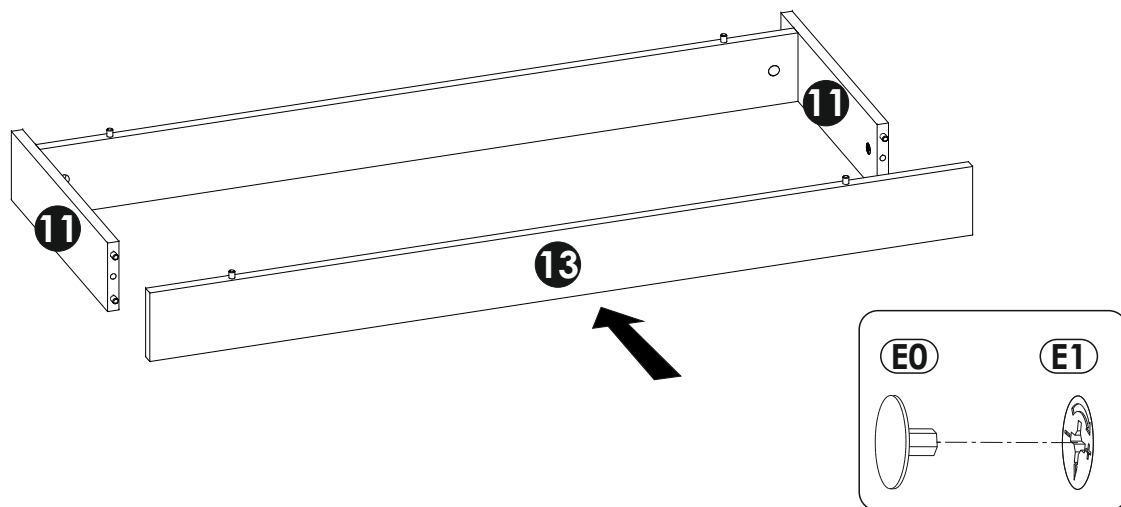
A=B



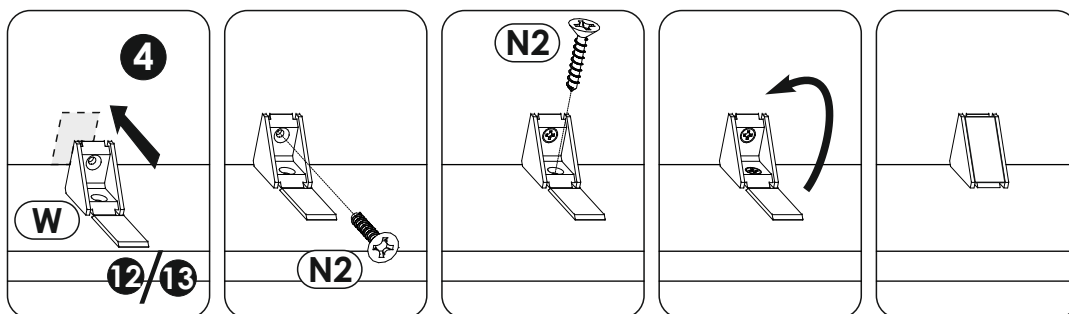
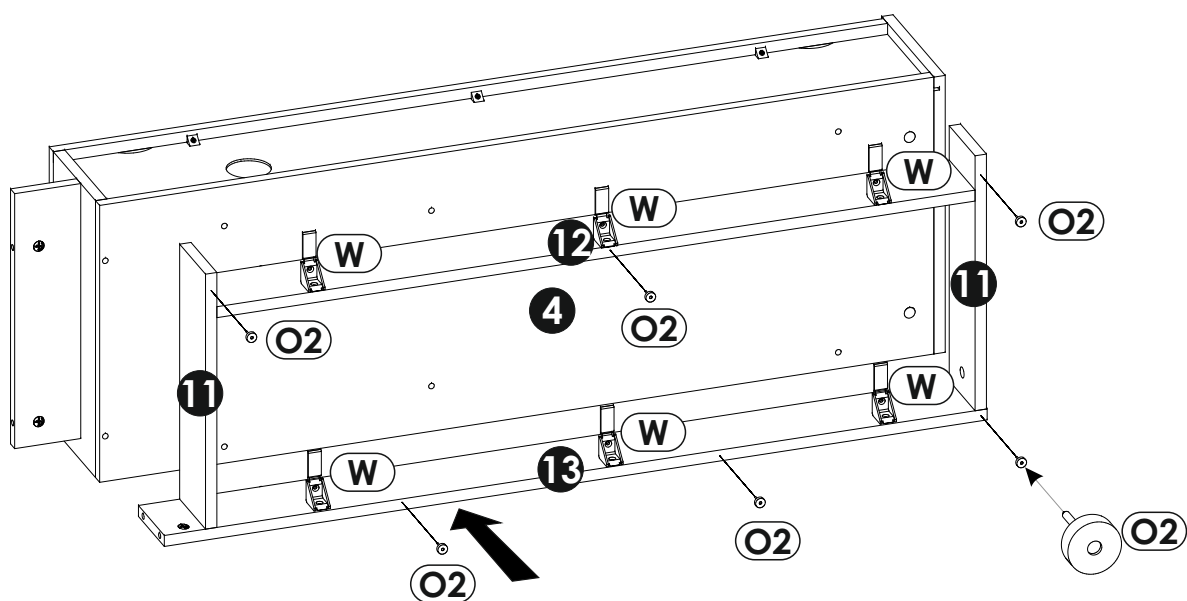
21 ▶



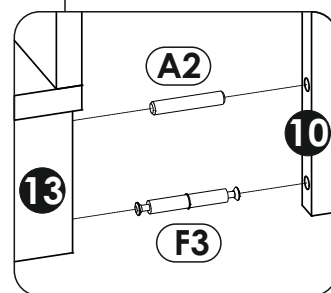
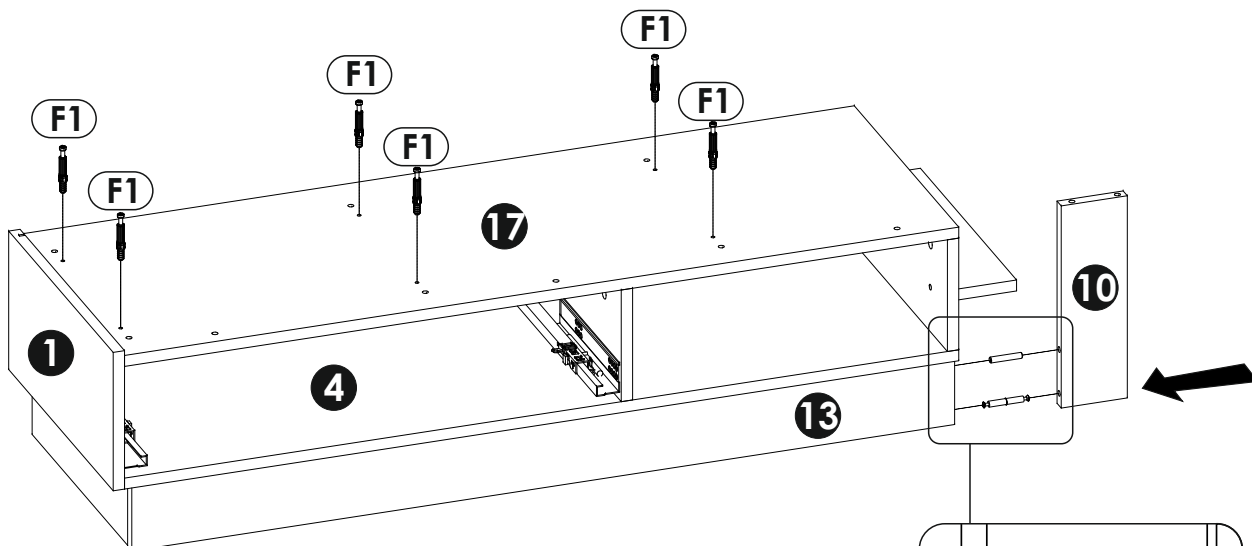
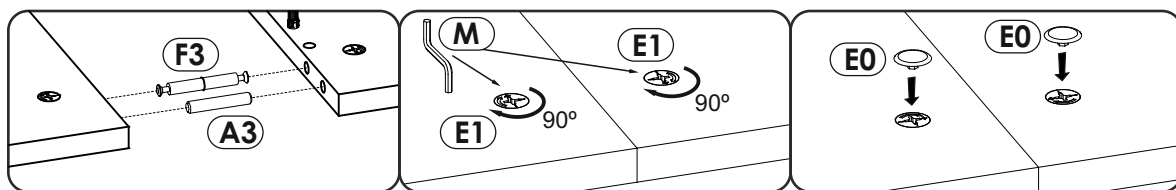
22 ▶



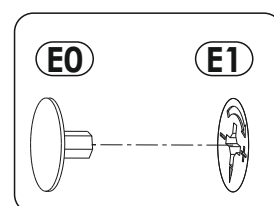
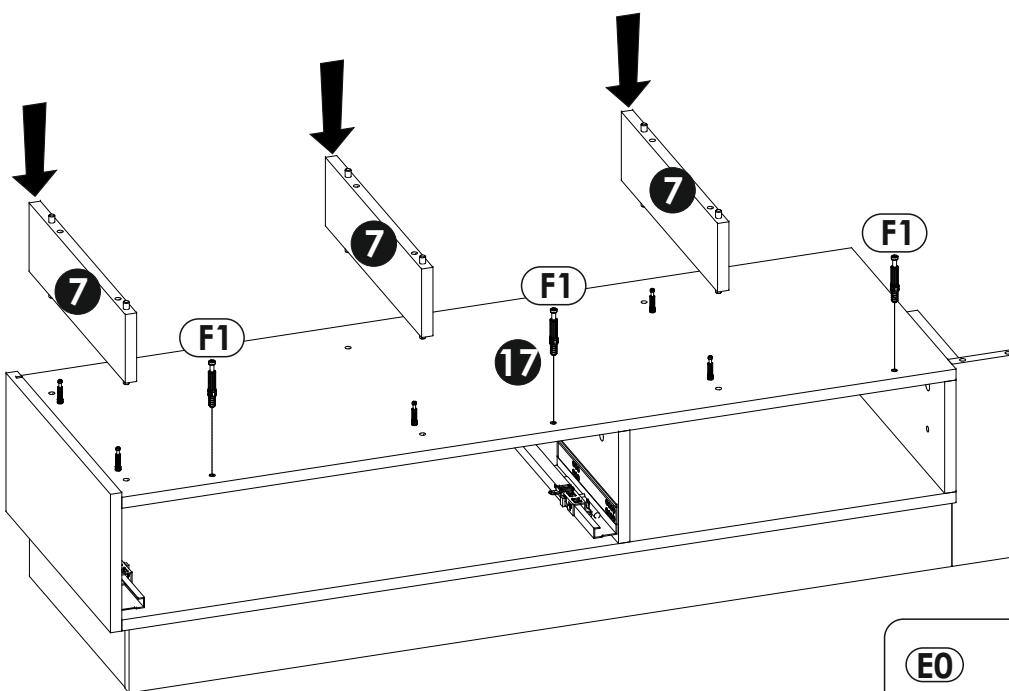
23 ▶



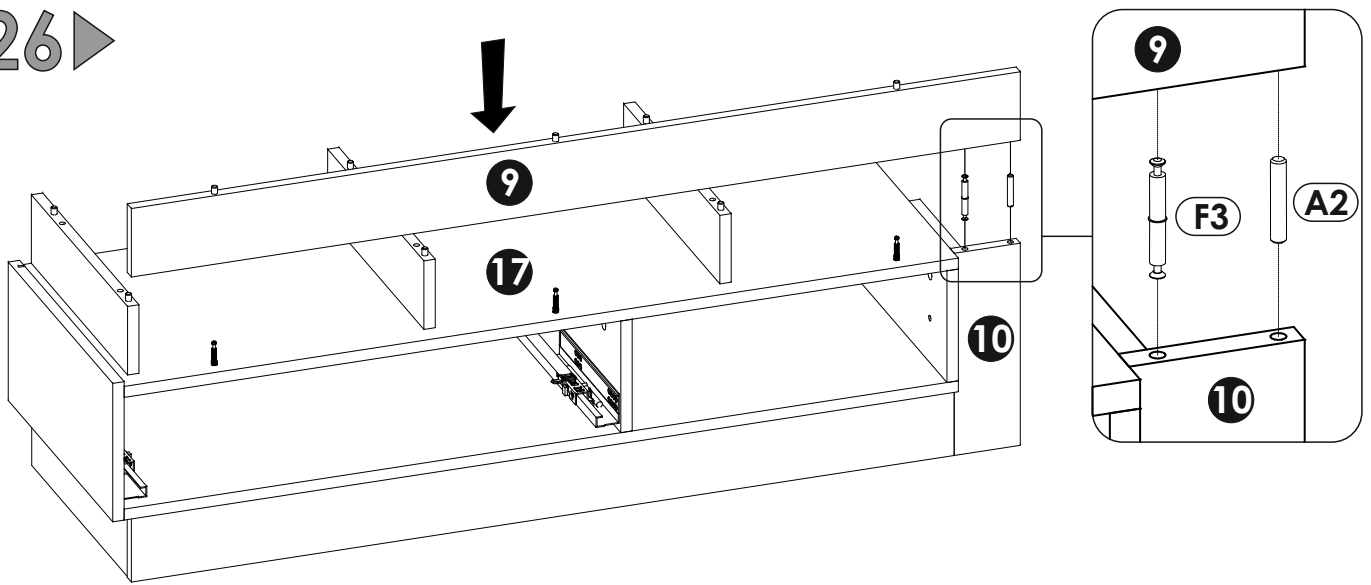
24 ▶



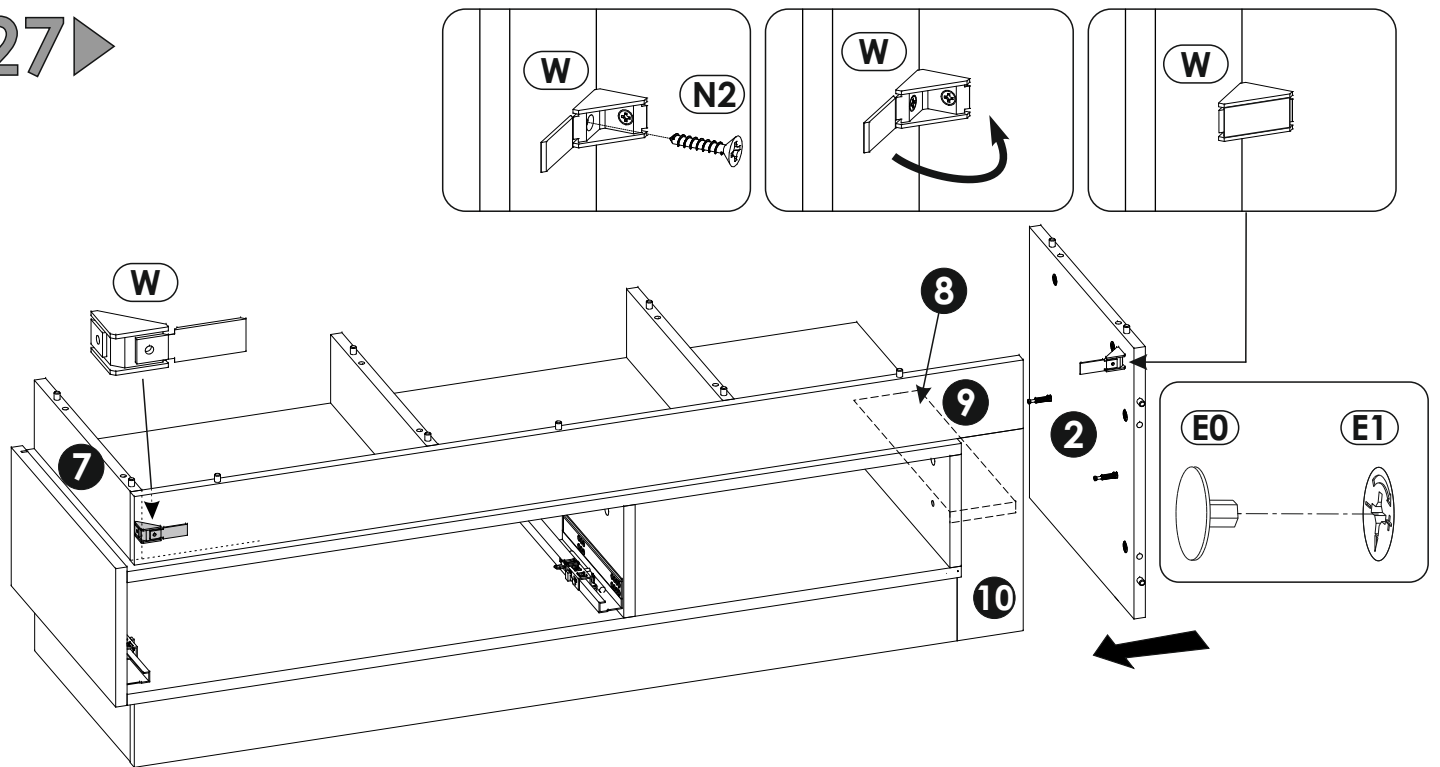
25 ▶



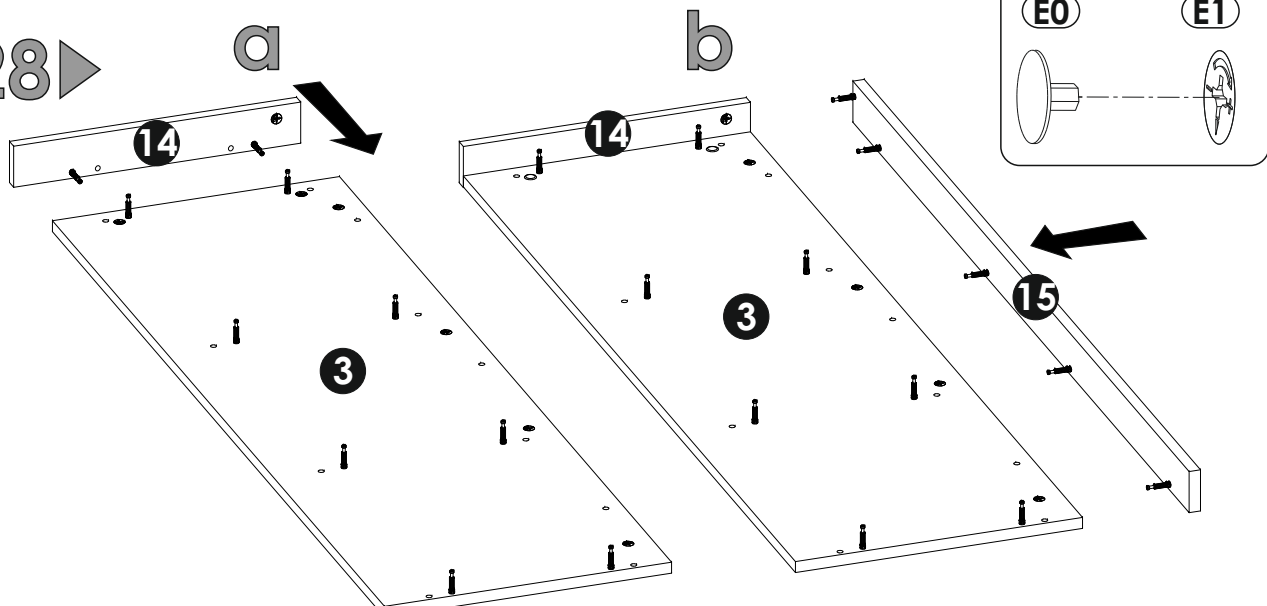
26 ▶

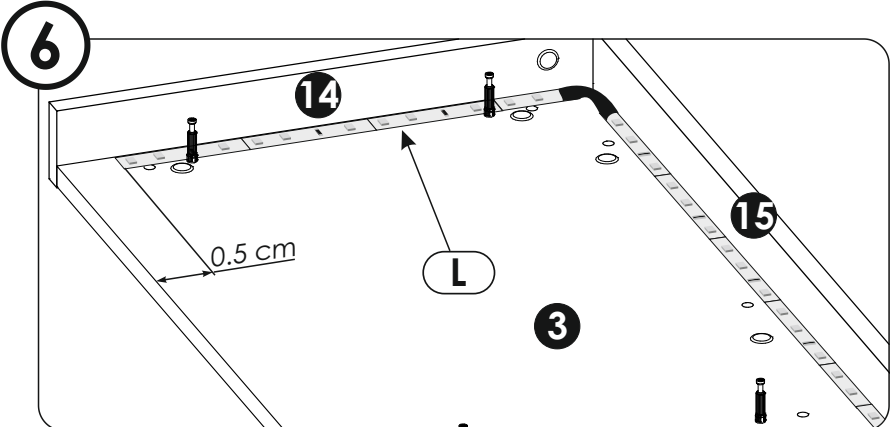
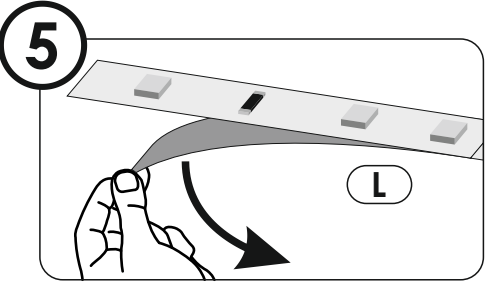
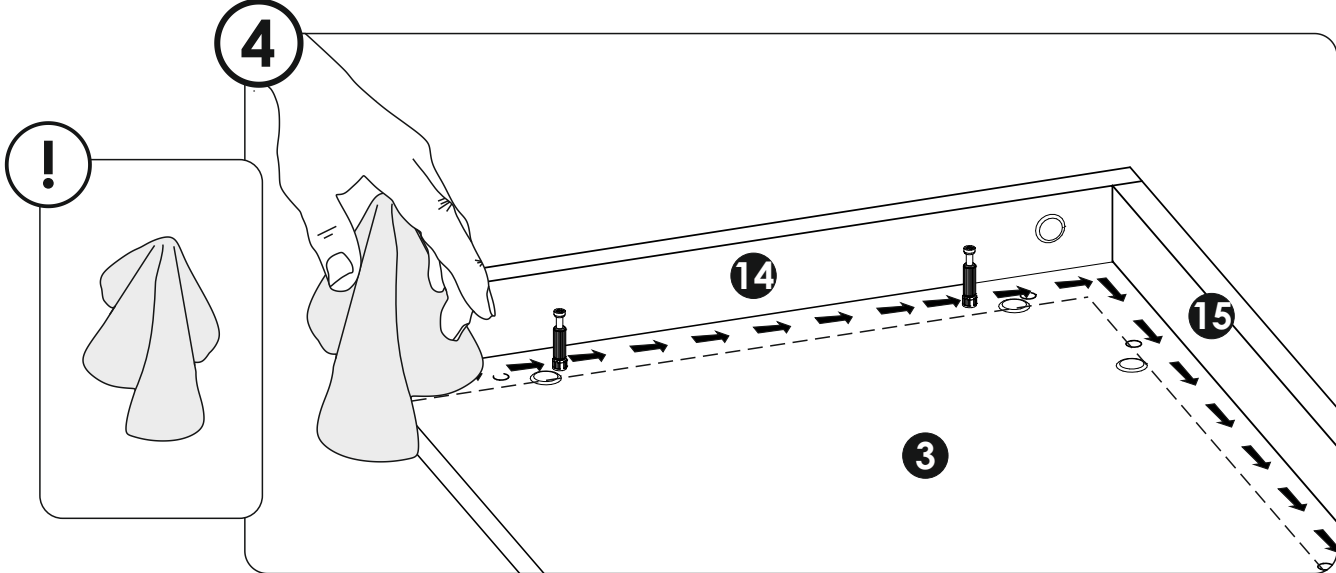
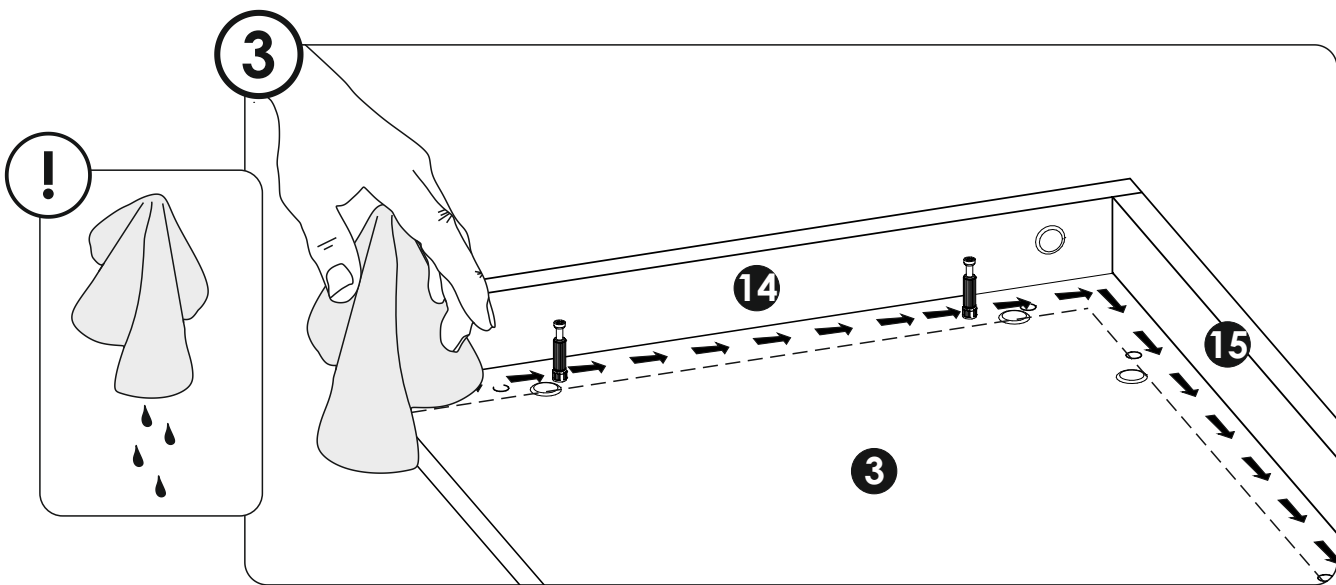
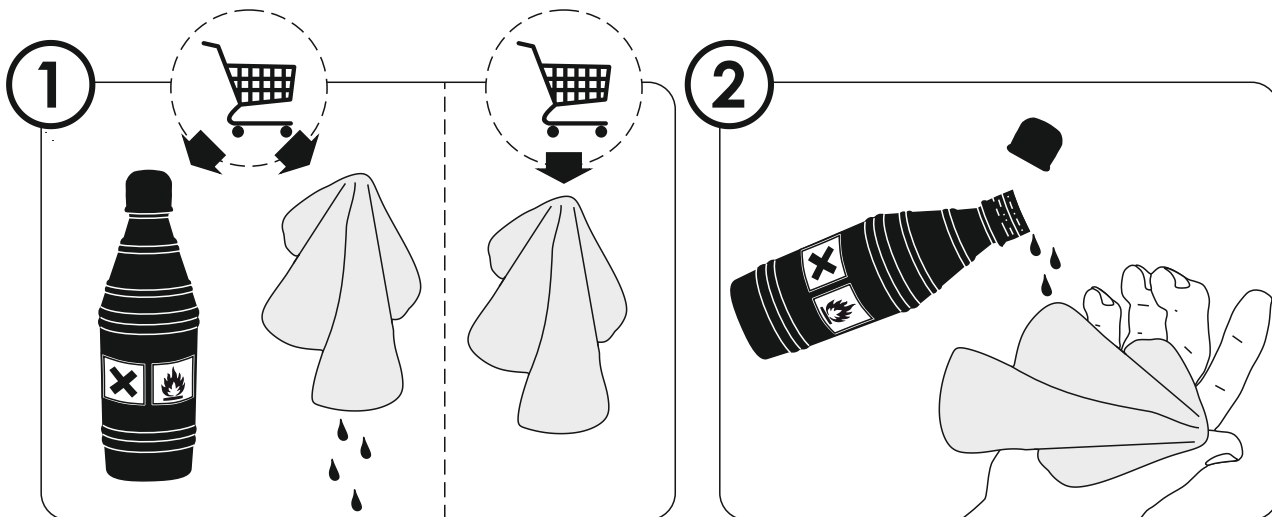


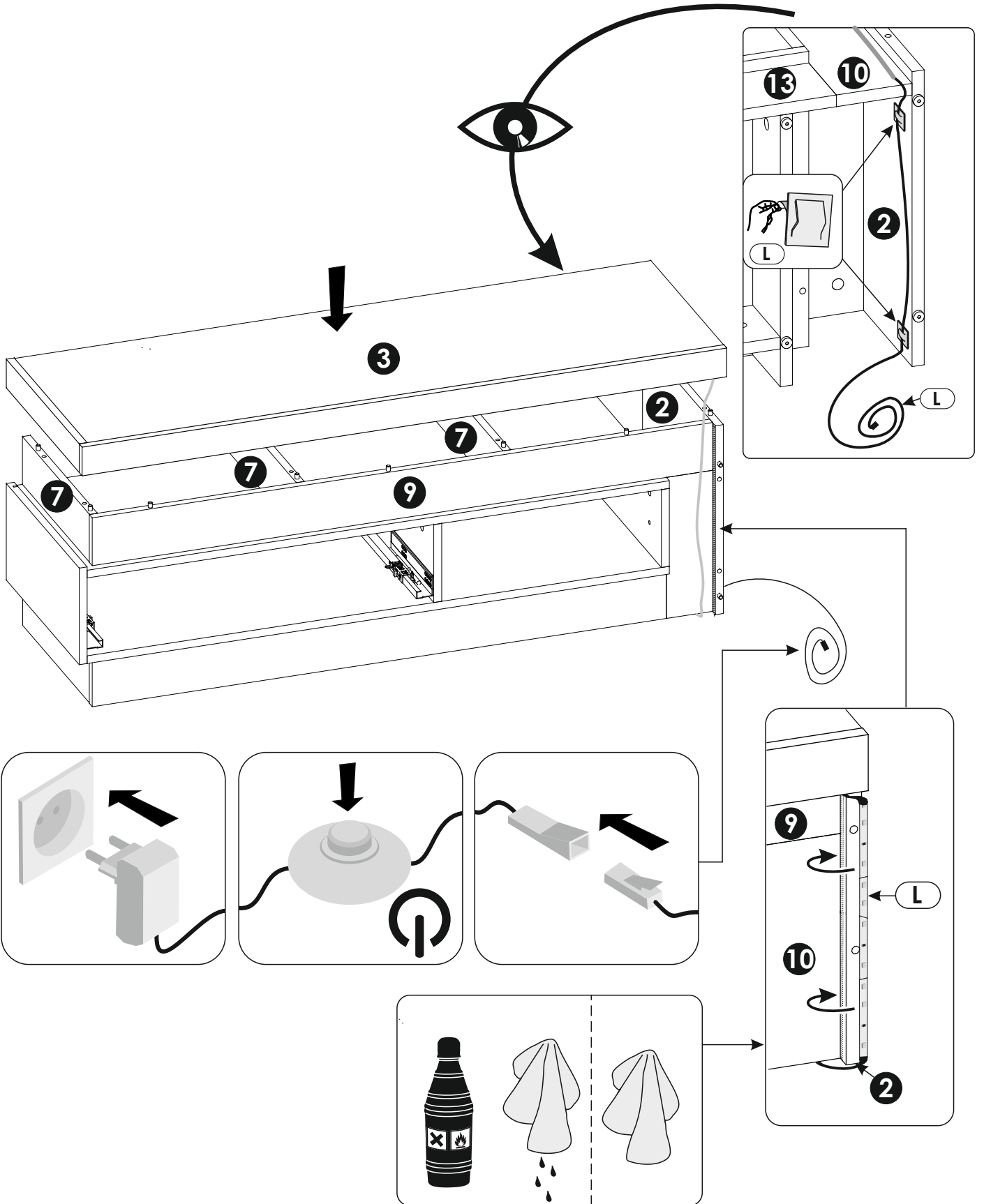
27 ▶



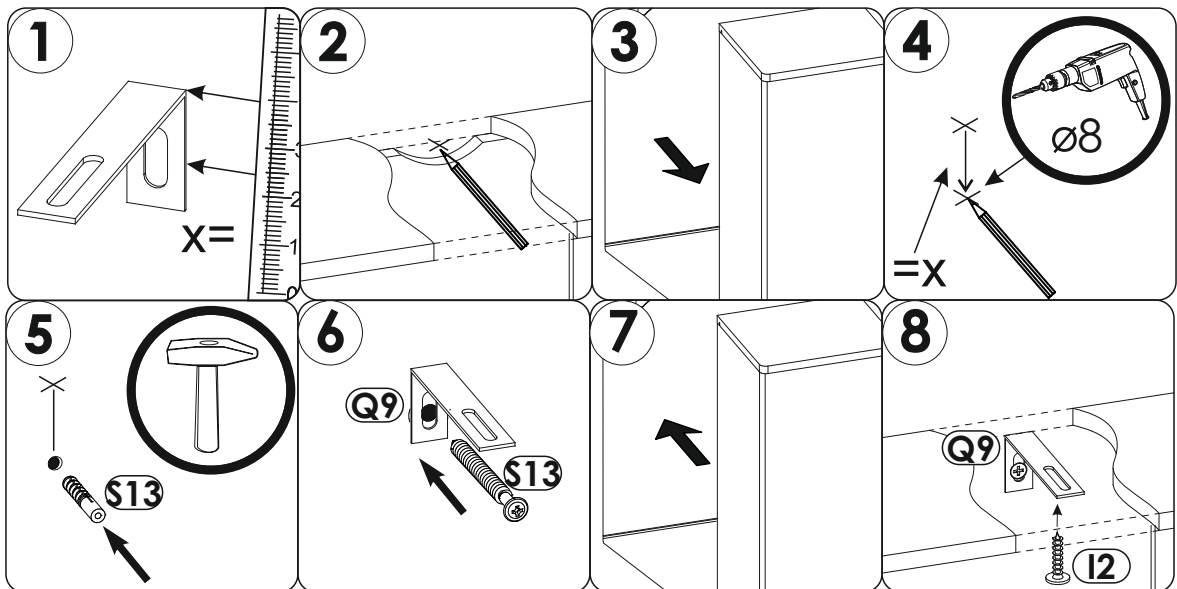
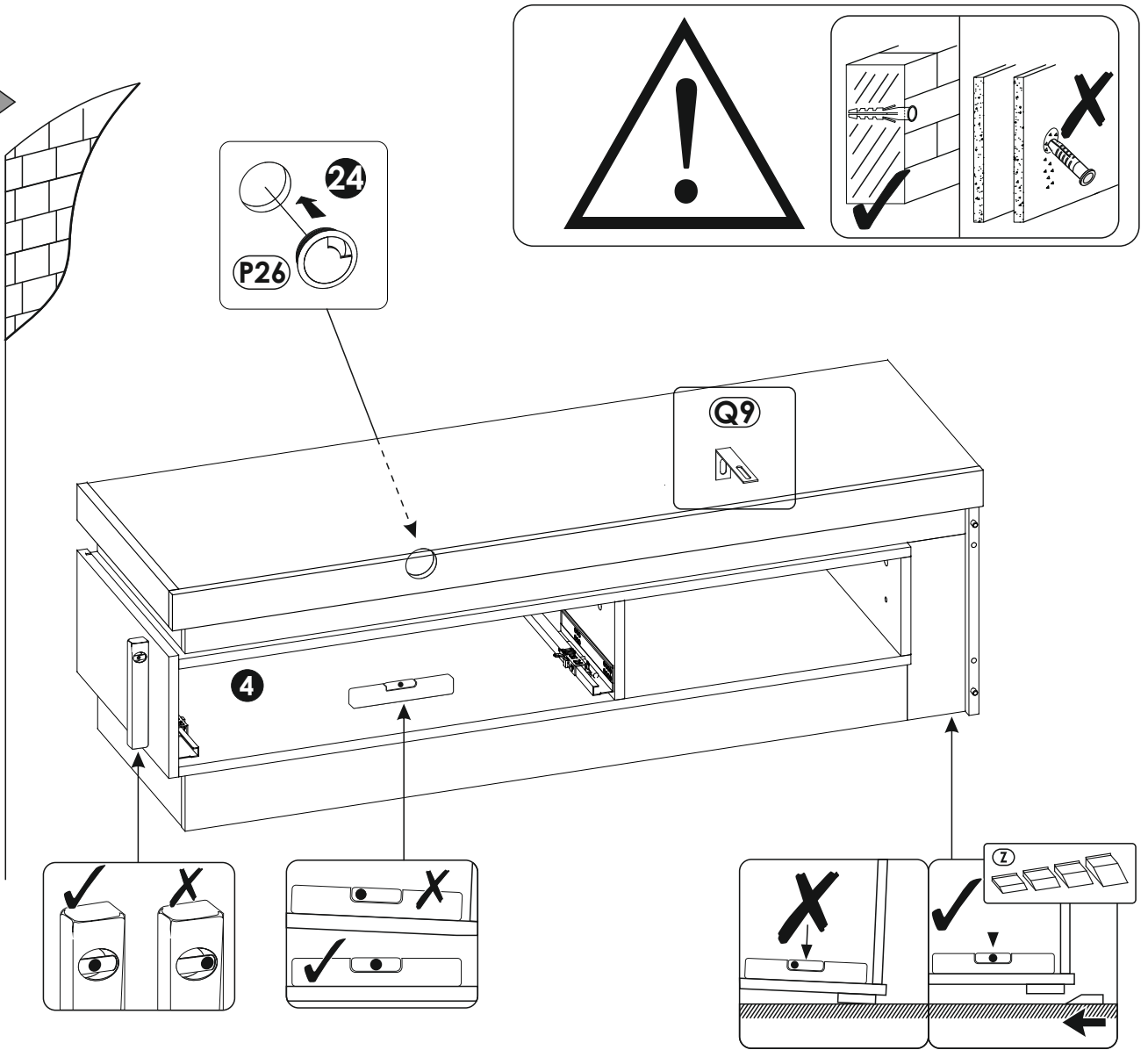
28 ▶



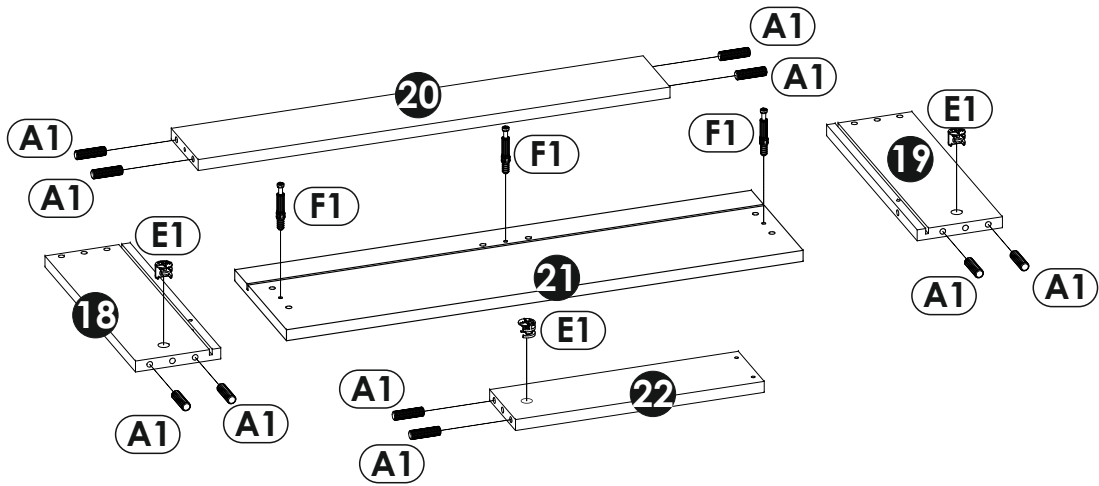




31 ▶



32 ▶



33 ▶

