

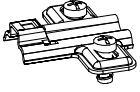


version A

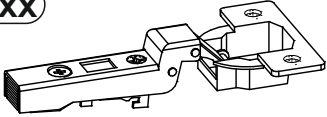


version B

BCxx



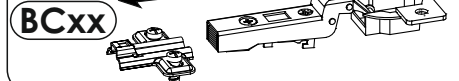
BCxx



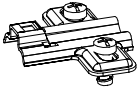
BCxx + BCxx



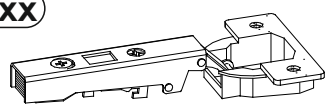
BCxx



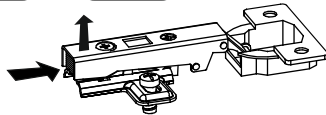
BCxx



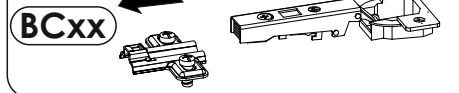
BCxx



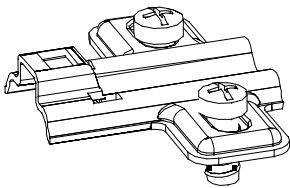
BCxx + BCxx



BCxx

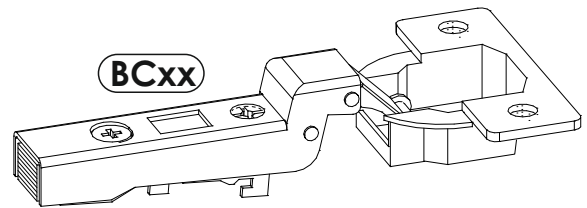


BCxx

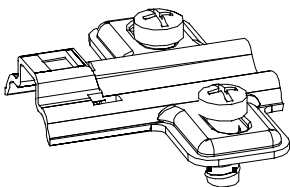


OK

BCxx

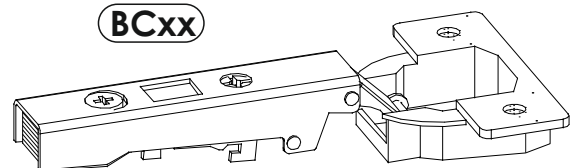


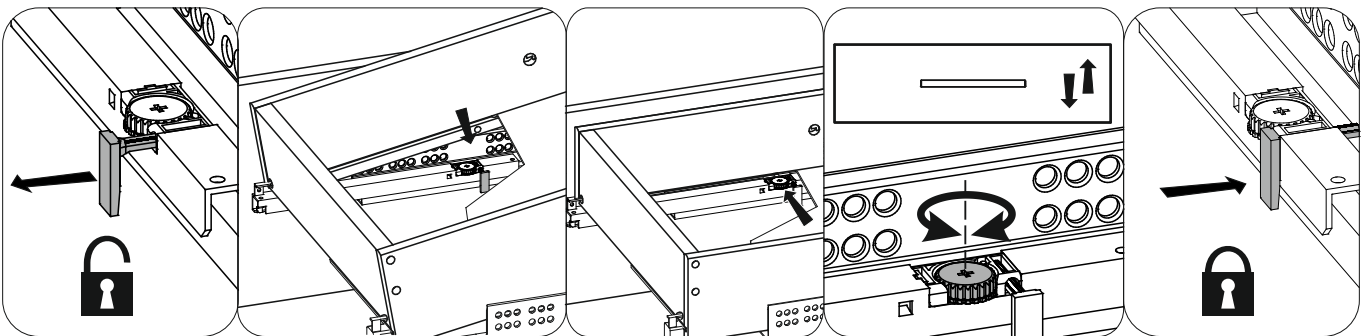
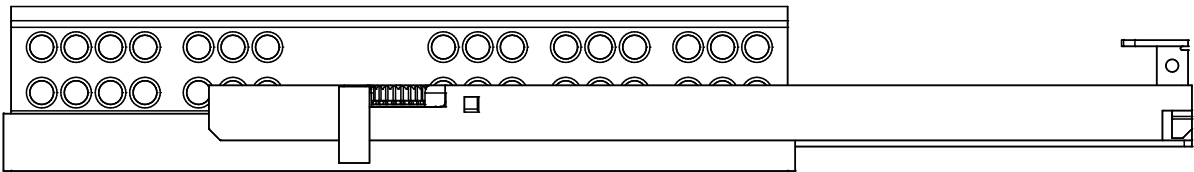
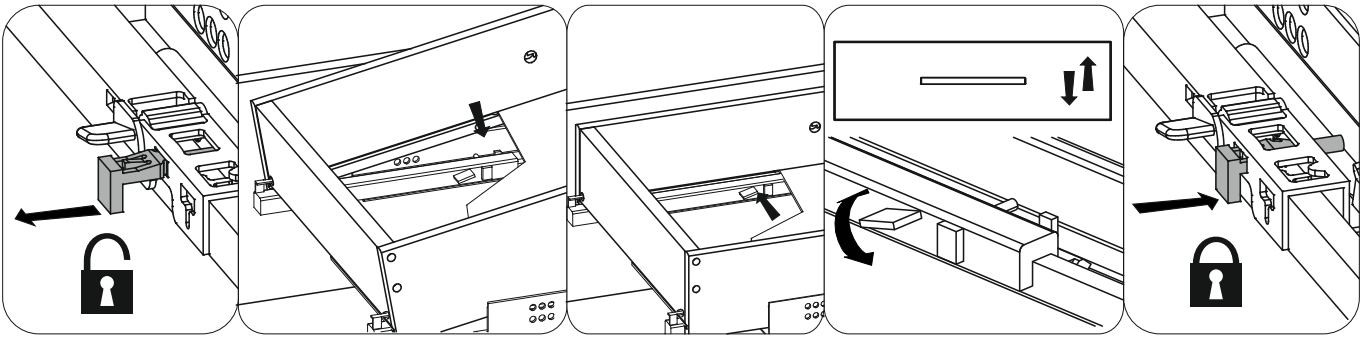
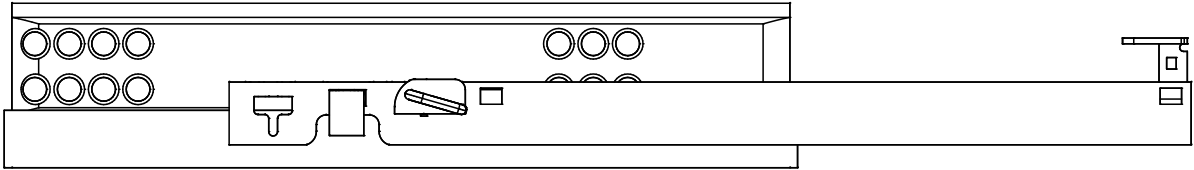
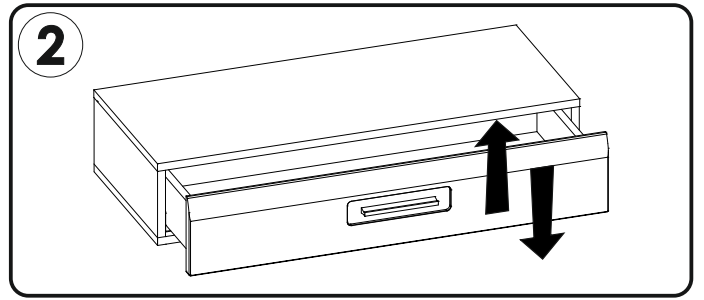
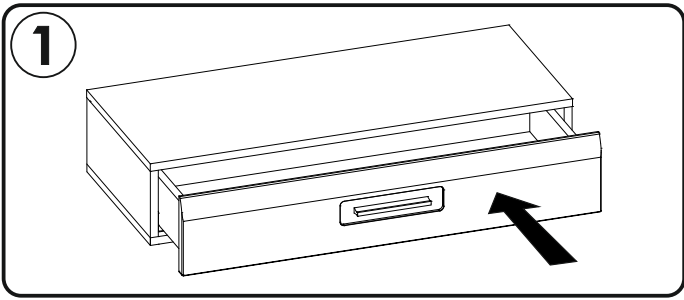
BCxx

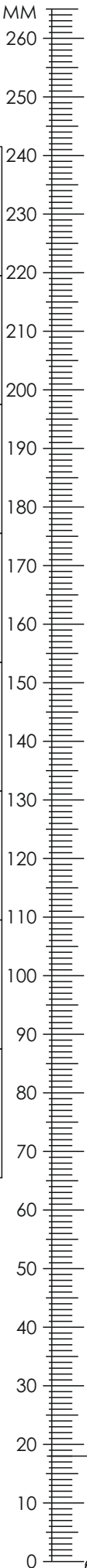



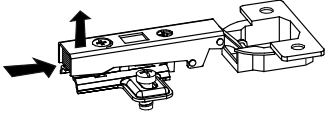
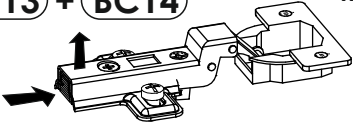










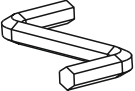


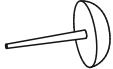




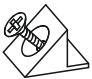
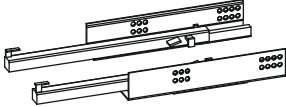
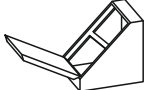
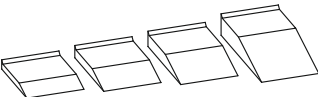
OK

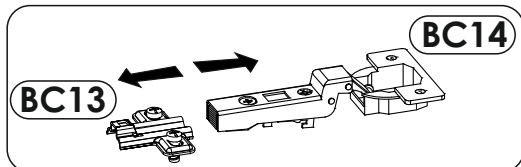
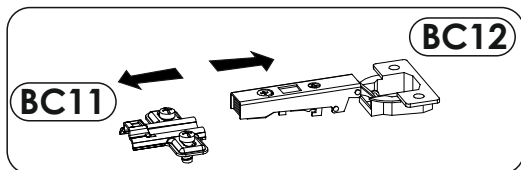
BCxx

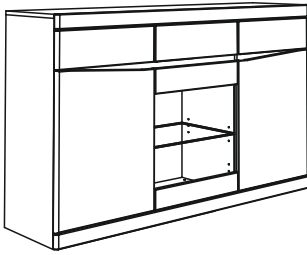






| | | |
|--|--|---|
| A1 x 44 $\varnothing 8 \times 35$ mm  | BC11 + BC12 x4  | BC13 + BC14 x2  |
| C1 x 12 EURO 4 x 13 mm  | C2 x 12 EURO 5 x 13 mm  | D2 x 8  |
| D7 x 4  | E0 x 22  | E1 x 22 $\varnothing 15 \times 12$ mm  |
| F1 x 22  | G0 x 14  | G1 x 14 $\varnothing 7 \times 50$ mm  |
| I2 x 8 4 x 16 mm  | M x 1  | N1 x 70 3 x 16 mm  |
| N2 x 12 3,5 x 16 mm  | O2 x 8  | Q9 x 2  |
| P9 x 2 $\varnothing 8$  | R1 x 10  | R3 x 6  |
| R4 x 3  | T10 x 3 L-360  | W x 6  |
| Z x 1  | | |

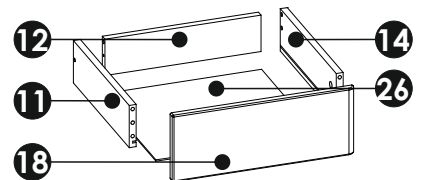
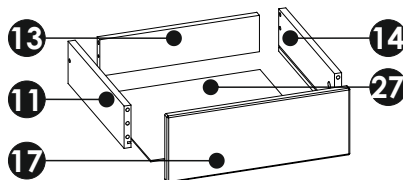
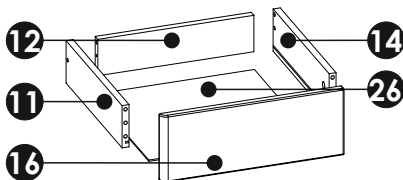
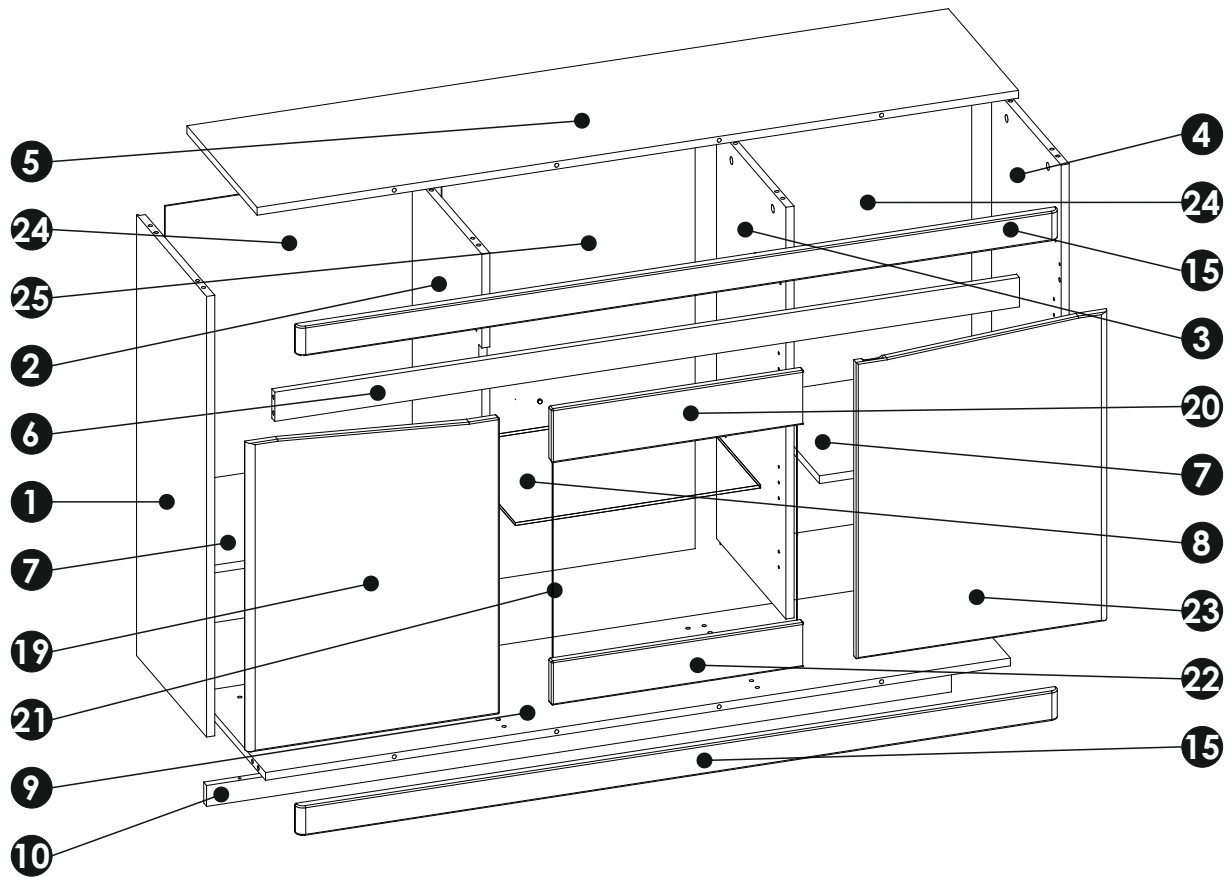


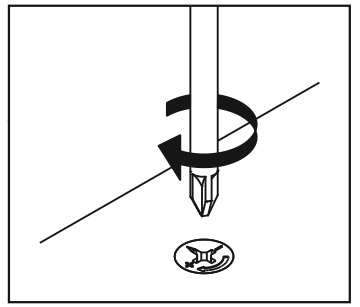
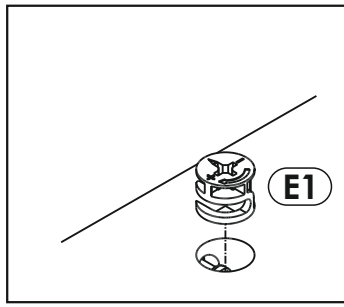
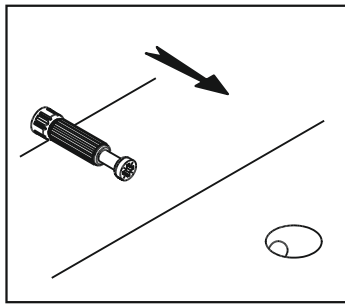
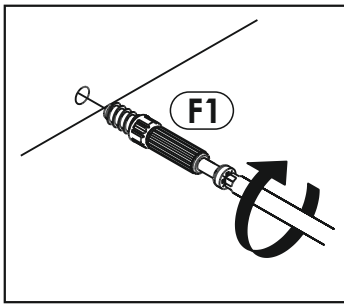


| | | | | | |
|---|------|-----|----|----|-----|
| 1 | 900 | 380 | 16 | x1 | 1/2 |
| 2 | 841 | 376 | 16 | x1 | 2/2 |
| 3 | 841 | 376 | 16 | x1 | 2/2 |
| 4 | 900 | 380 | 16 | x1 | 1/2 |
| 5 | 1500 | 380 | 16 | x1 | 2/2 |

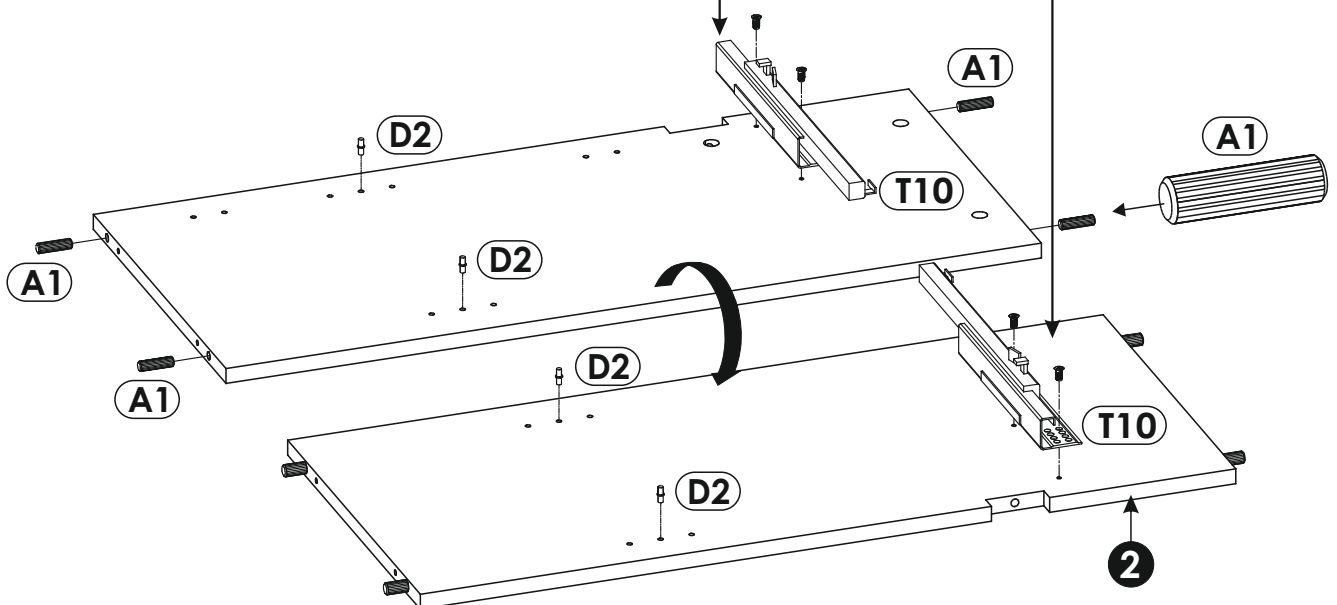
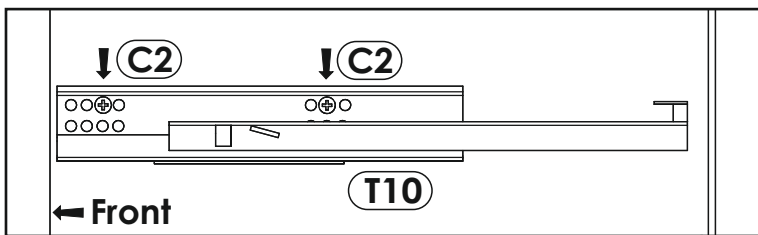
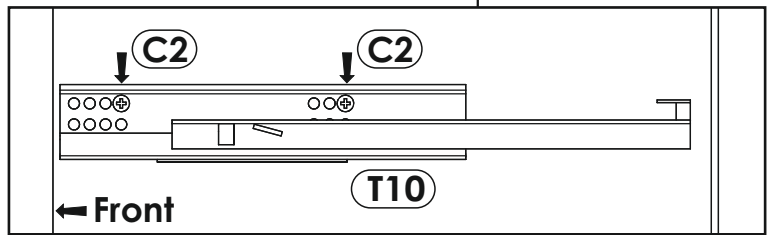
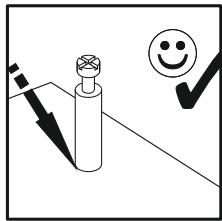
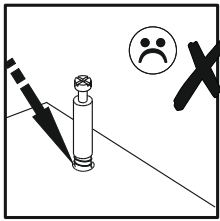
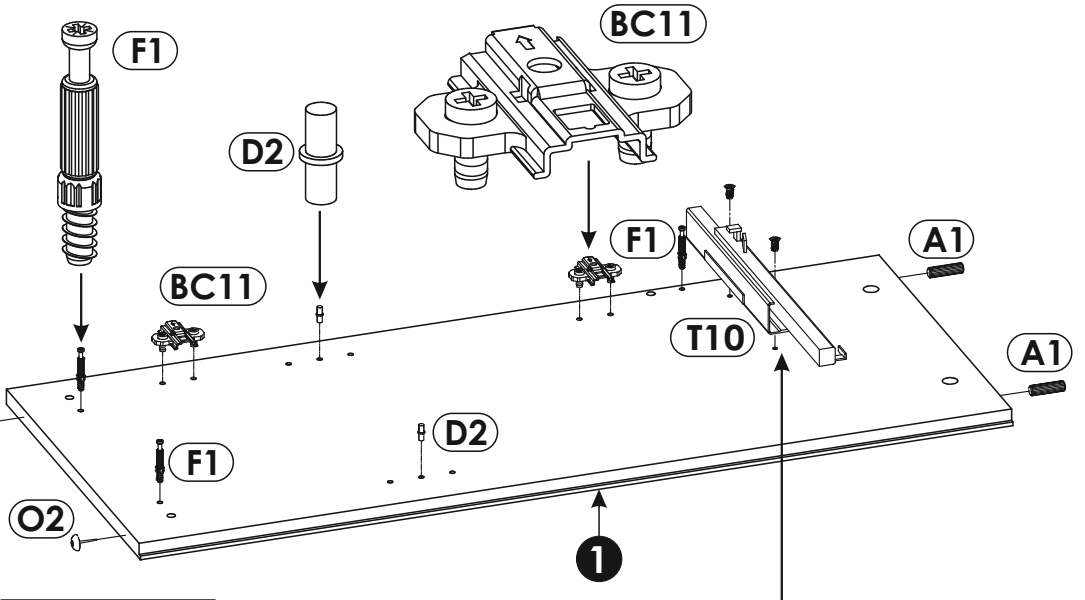
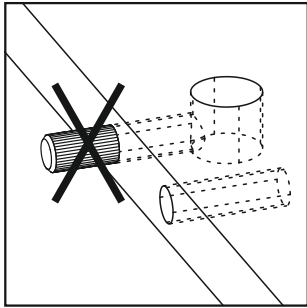
| | | | | | |
|----|------|-----|----|----|-----|
| 6 | 1467 | 60 | 16 | x1 | 2/2 |
| 7 | 476 | 360 | 16 | x2 | 2/2 |
| 8 | 482 | 335 | 6 | x1 | 2/2 |
| 9 | 1467 | 376 | 16 | x1 | 2/2 |
| 10 | 1467 | 43 | 16 | x1 | 2/2 |
| 11 | 350 | 100 | 16 | x3 | 1/2 |
| 12 | 436 | 86 | 16 | x2 | 1/2 |
| 13 | 443 | 86 | 16 | x1 | 2/2 |
| 14 | 350 | 100 | 16 | x3 | 1/2 |
| 15 | 1500 | 60 | 19 | x2 | 2/2 |
| 16 | 497 | 157 | 16 | x1 | 2/2 |

| | | | | | |
|----|-----|-----|----|----|-----|
| 17 | 497 | 157 | 16 | x1 | 2/2 |
| 18 | 497 | 157 | 16 | x1 | 2/2 |
| 19 | 479 | 630 | 16 | x1 | 1/2 |
| 20 | 497 | 110 | 16 | x1 | 2/2 |
| 21 | 478 | 453 | 4 | x1 | 1/2 |
| 22 | 497 | 90 | 16 | x1 | 2/2 |
| 23 | 479 | 630 | 16 | x1 | 1/2 |
| 24 | 866 | 495 | 3 | x2 | 1/2 |
| 25 | 866 | 499 | 3 | x1 | 1/2 |
| 26 | 451 | 355 | 3 | x2 | 2/2 |
| 27 | 458 | 355 | 3 | x1 | 2/2 |

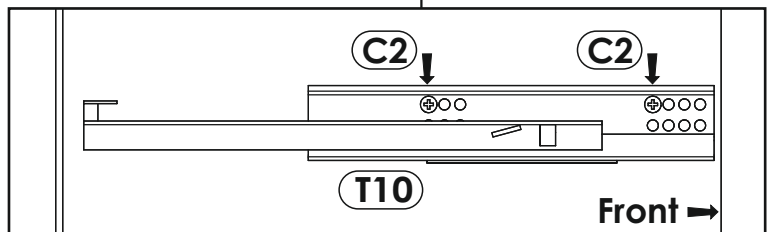
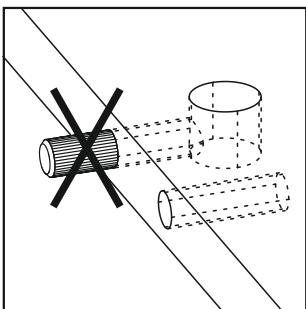
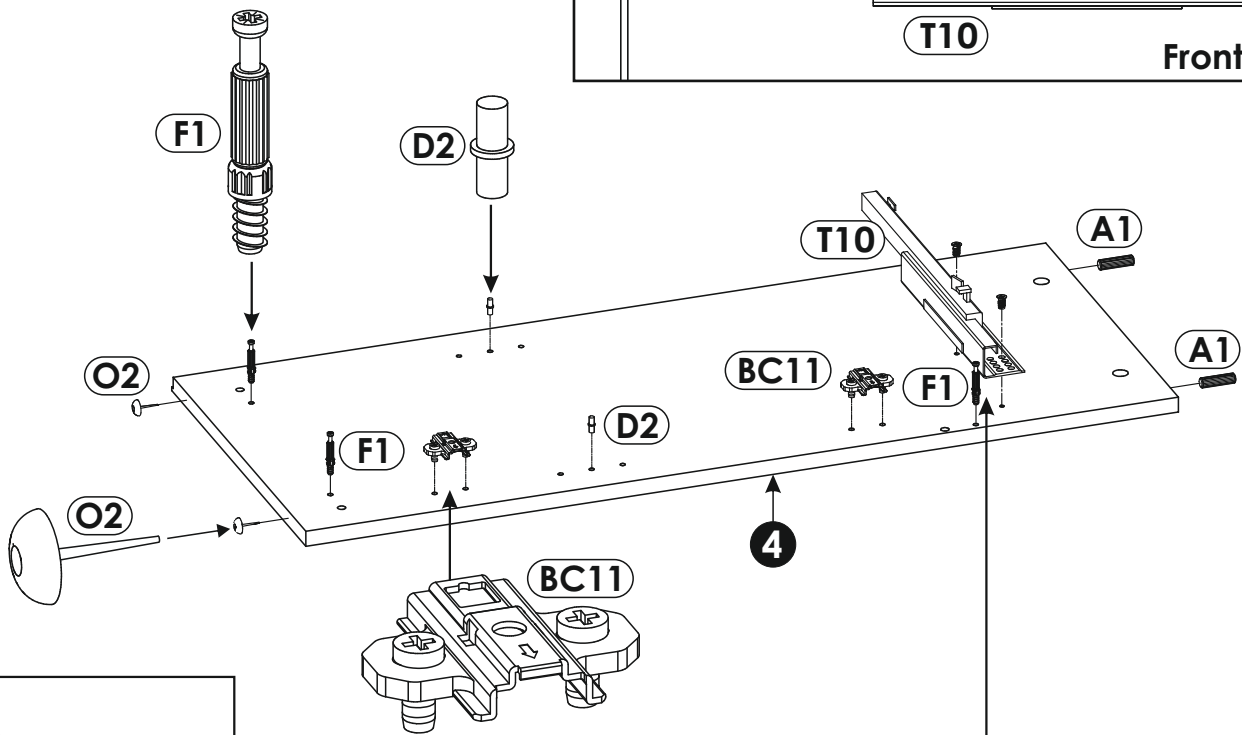
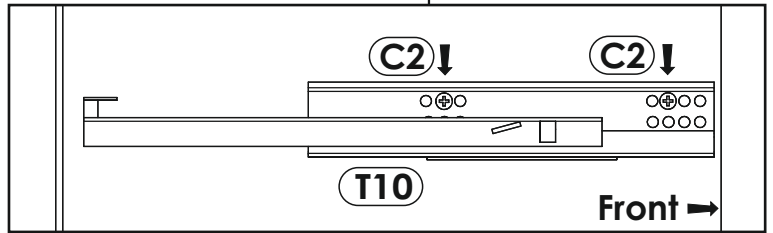
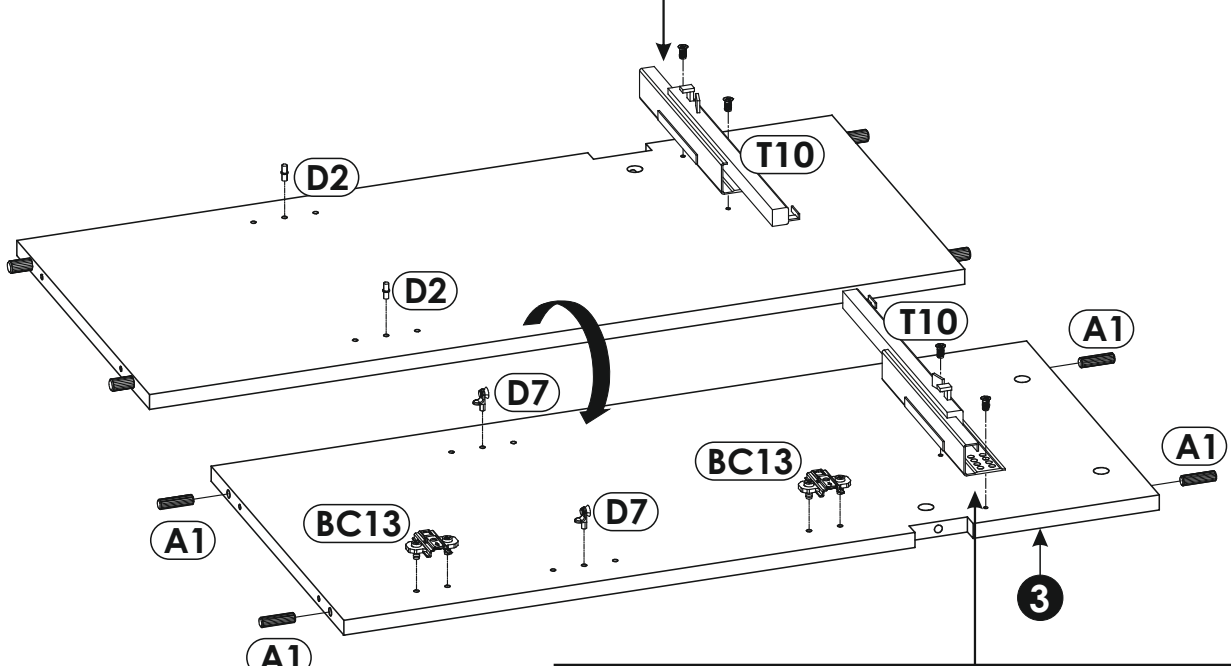
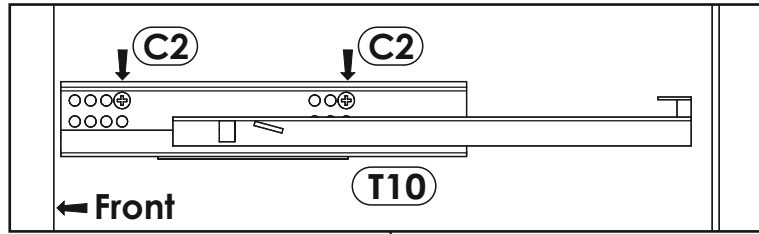




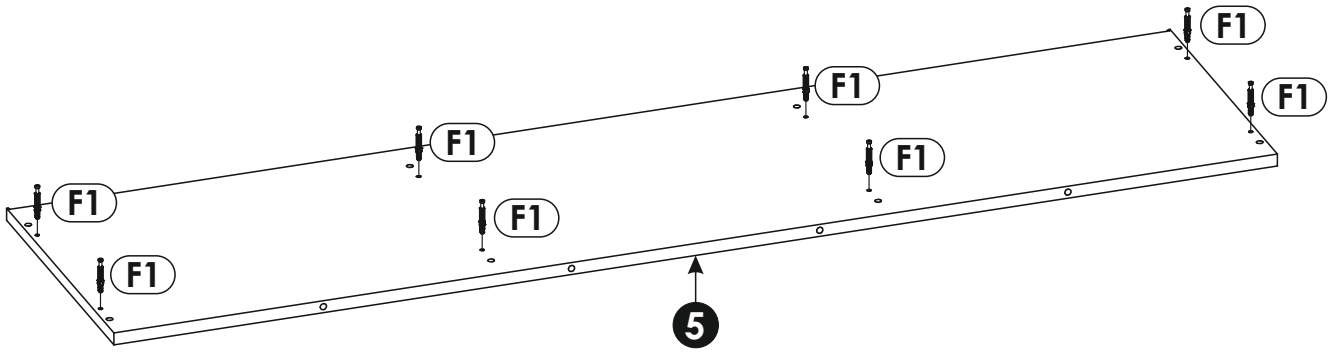
1 ▶



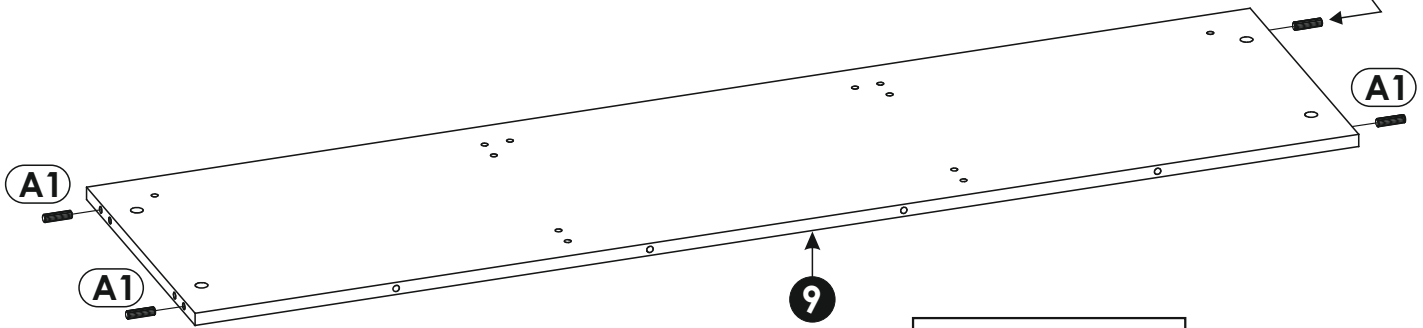
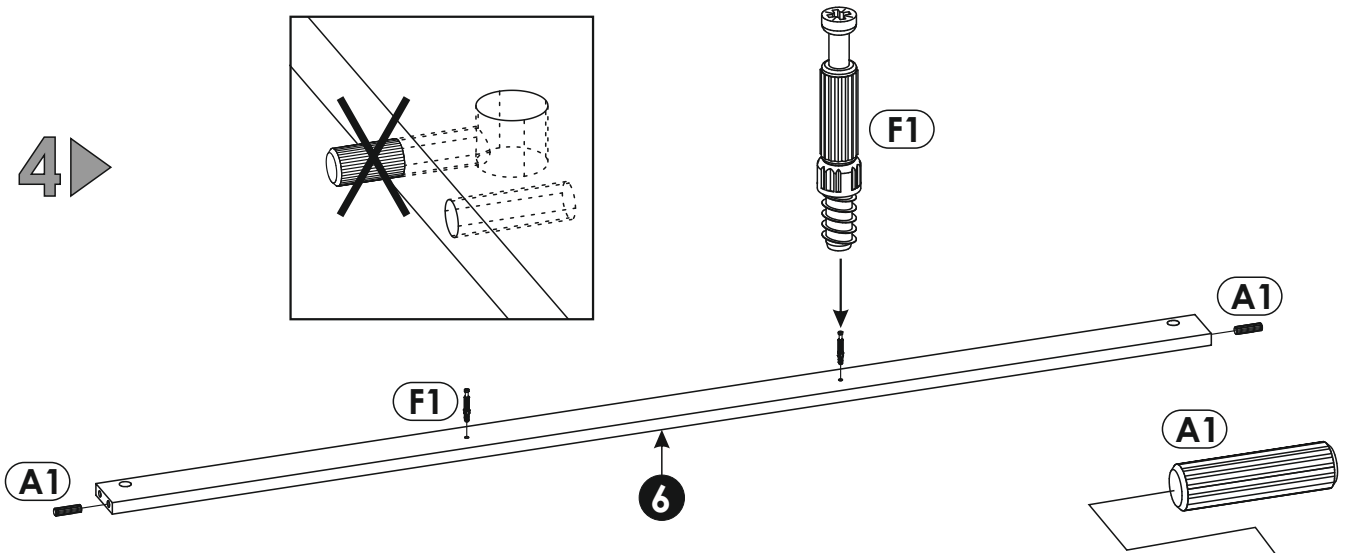
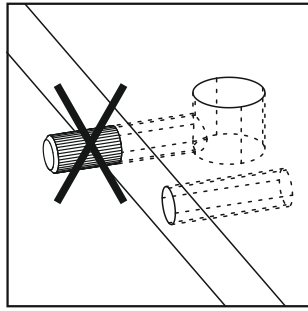
2 ▶



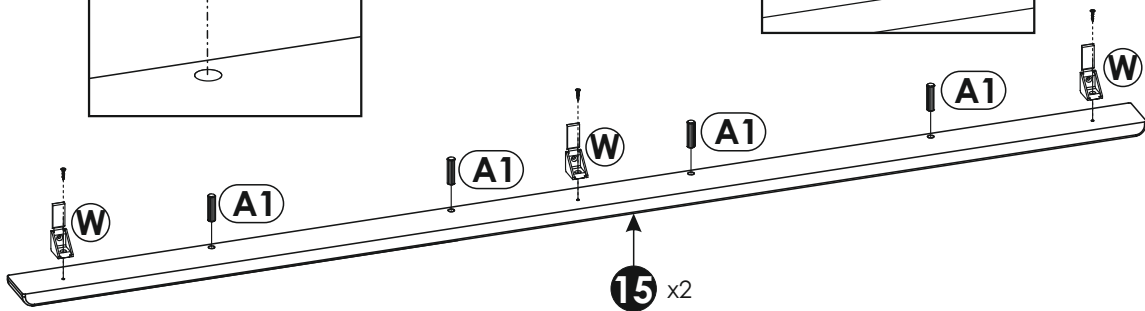
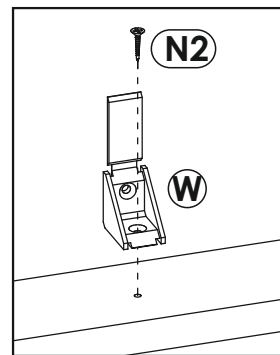
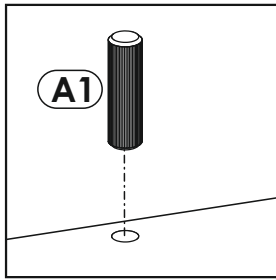
3 ▶



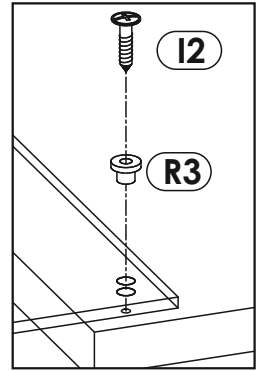
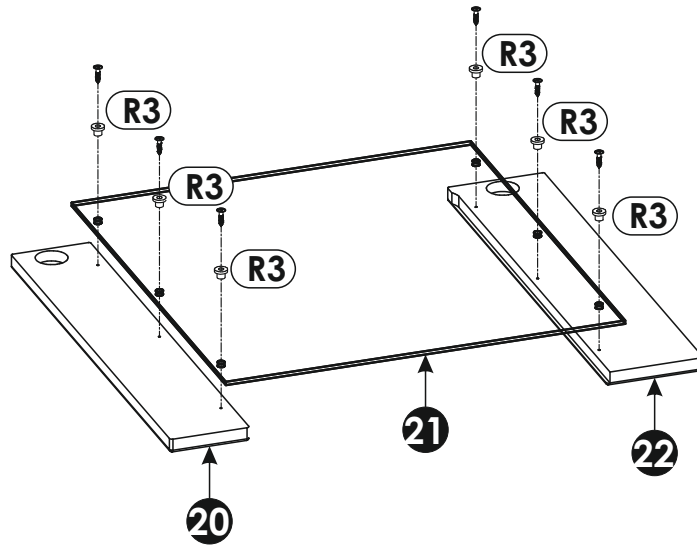
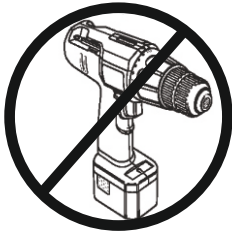
4 ▶



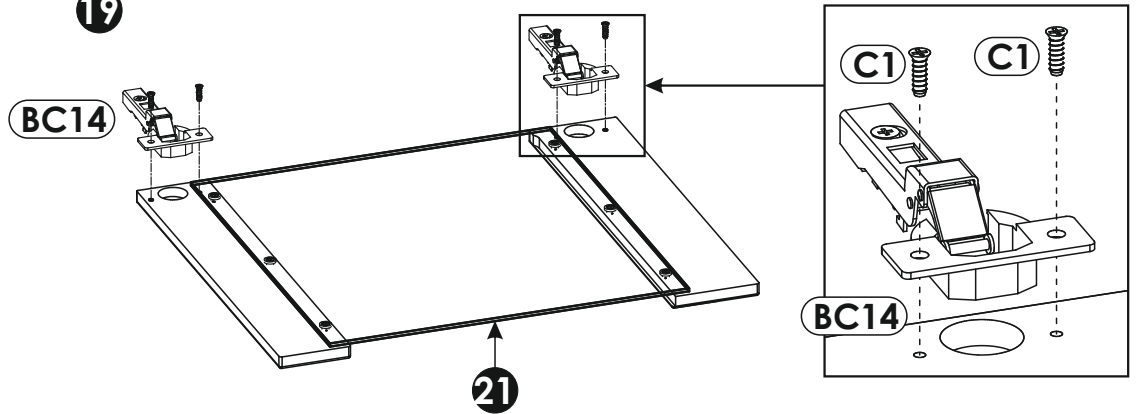
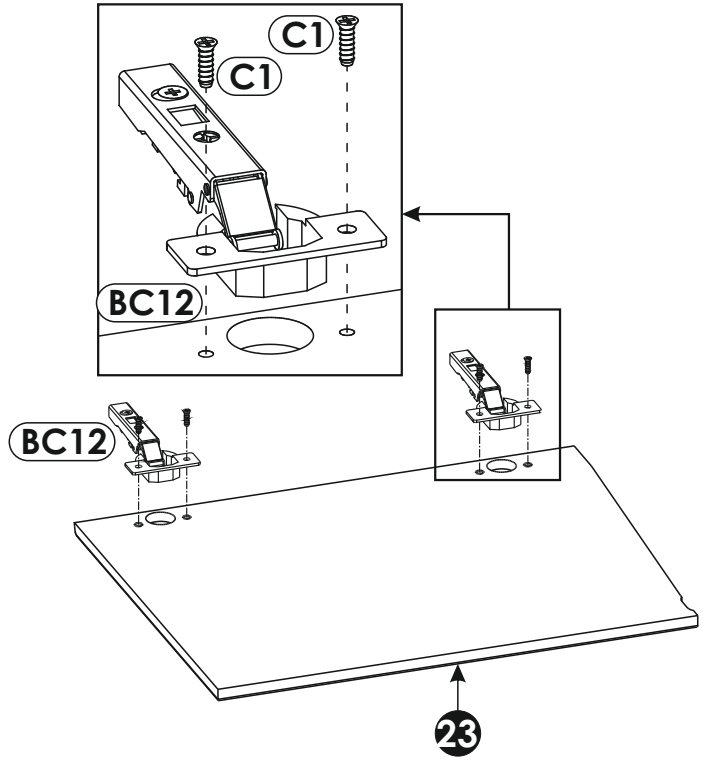
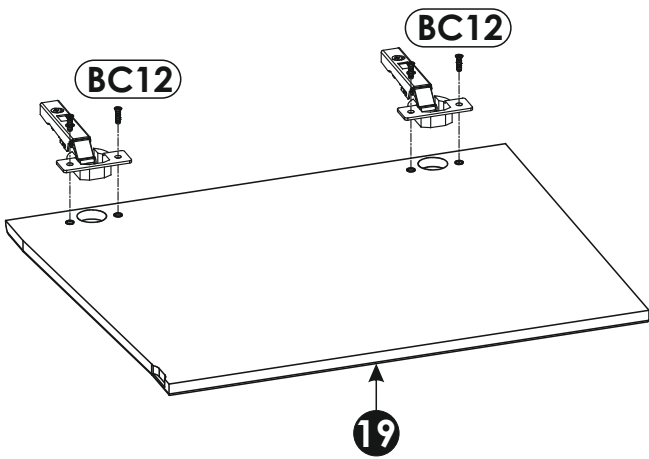
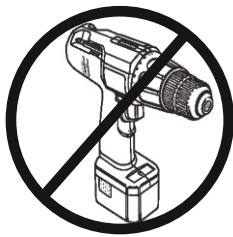
5 ▶



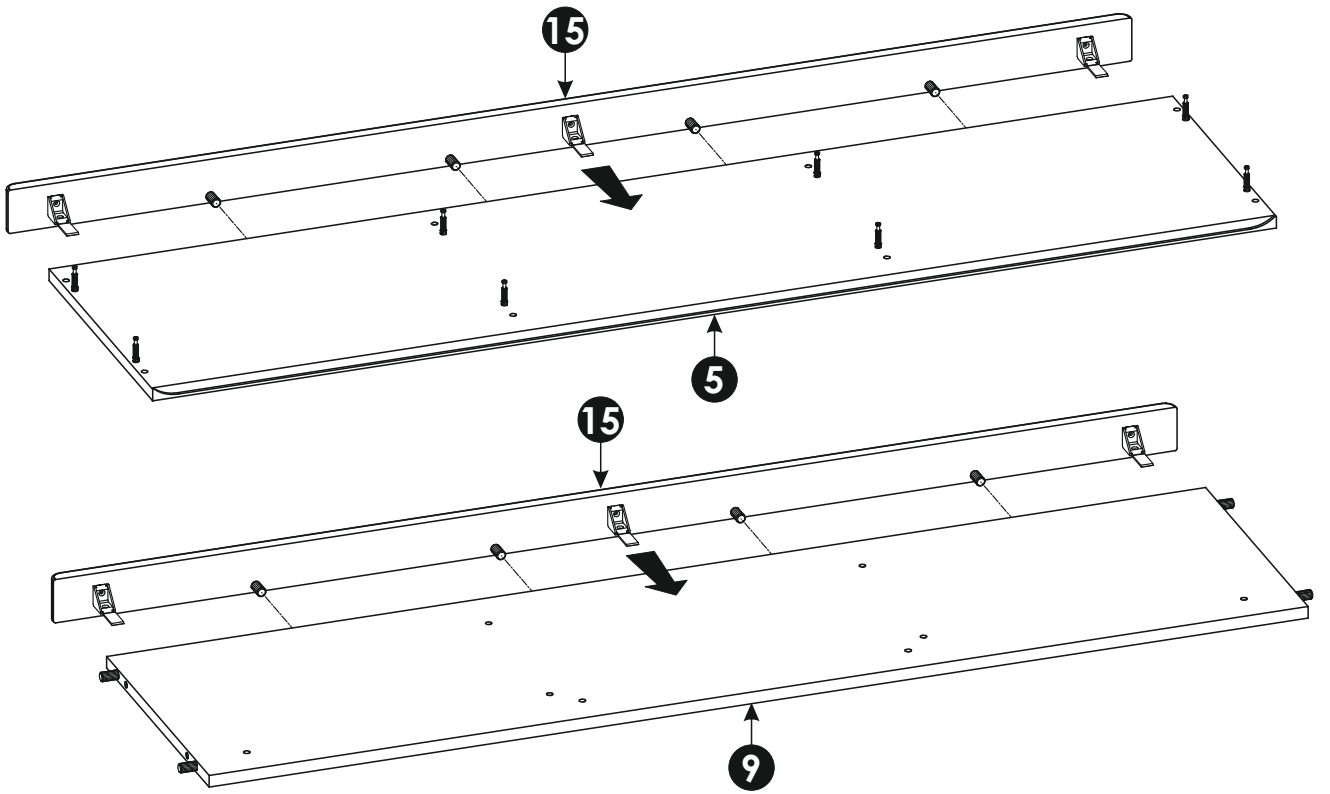
6 ▶



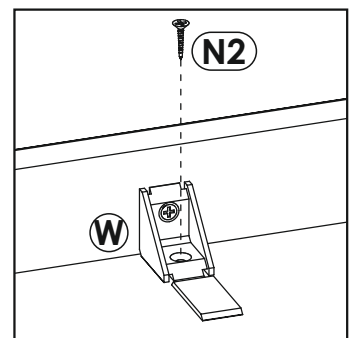
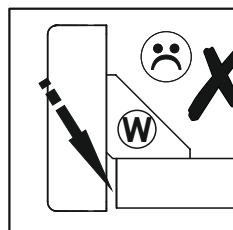
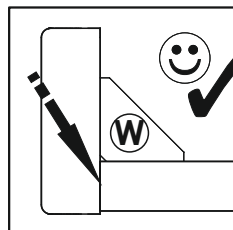
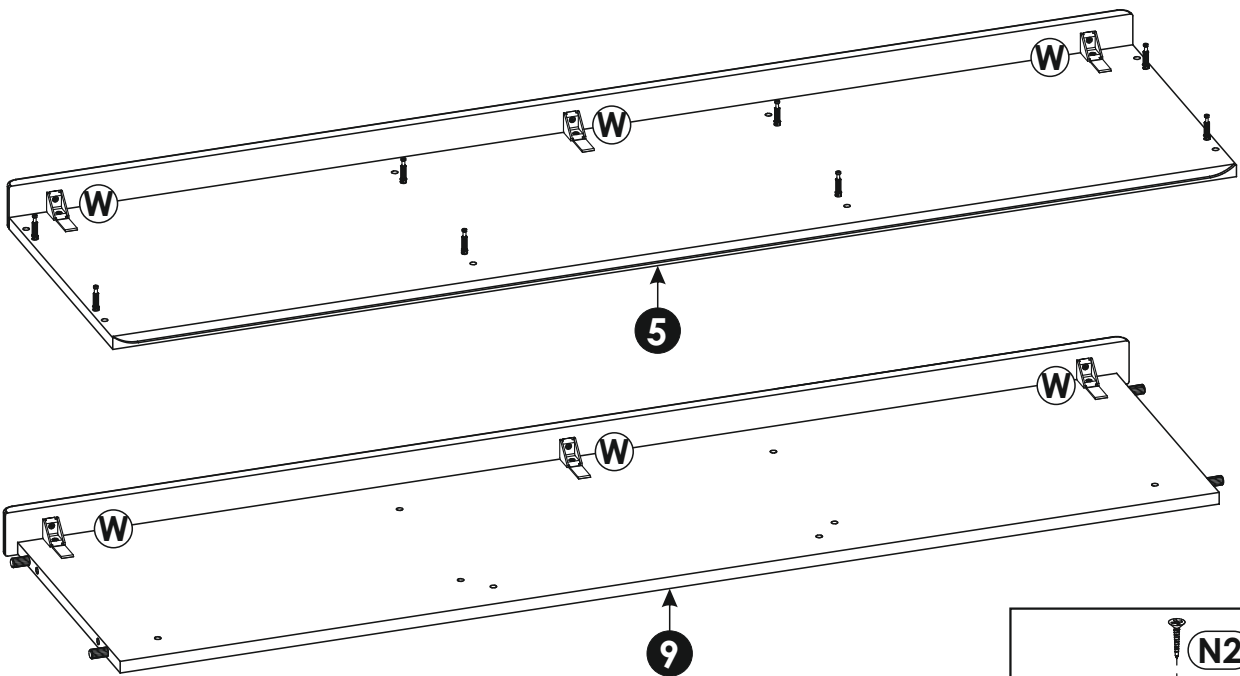
7 ▶



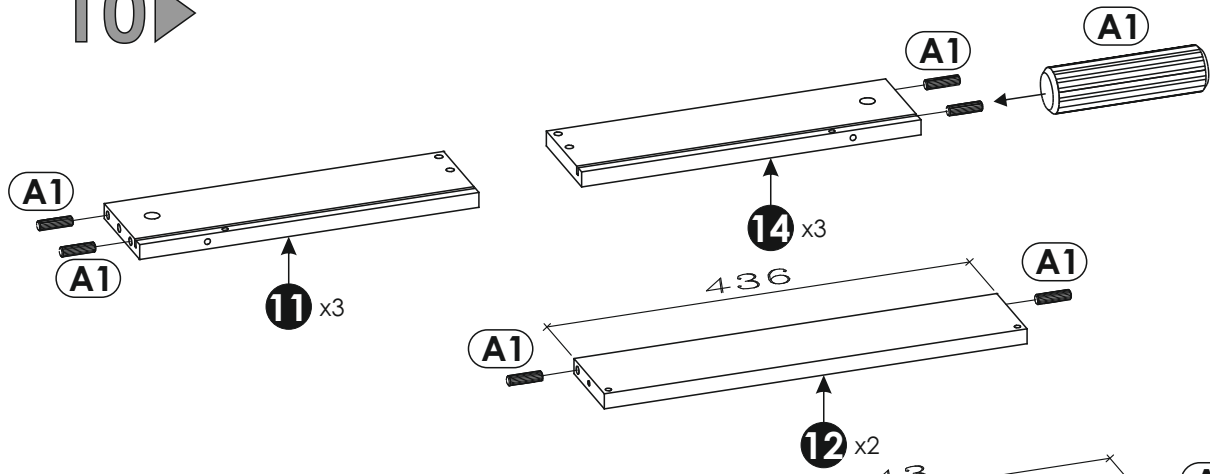
8 ▶



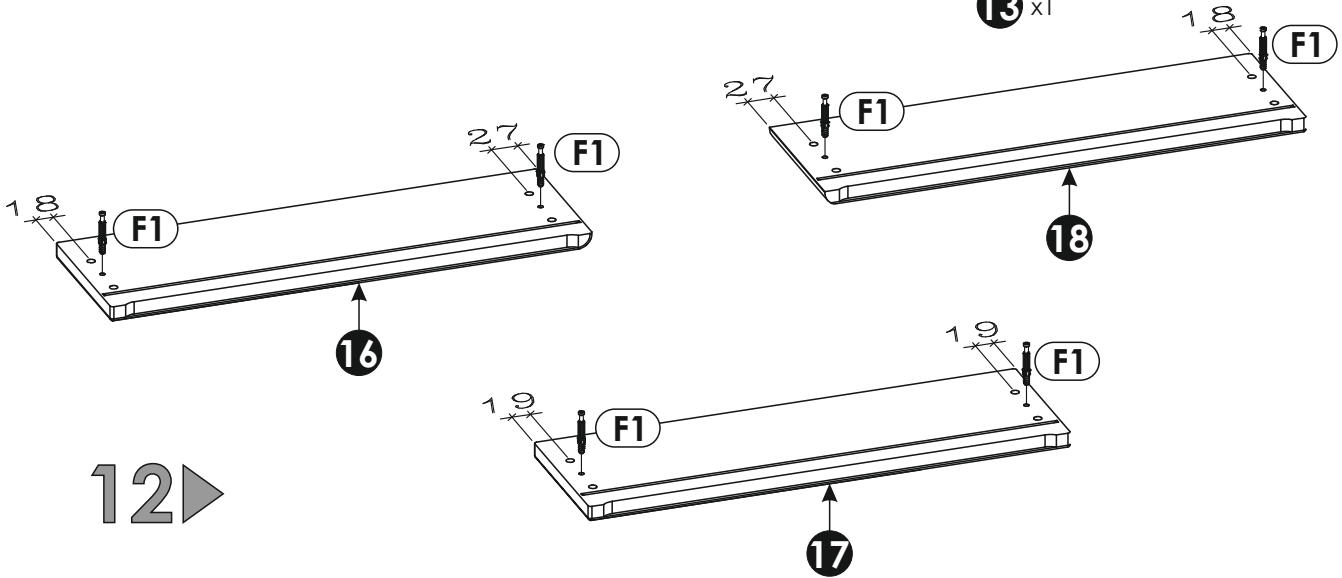
9 ▶



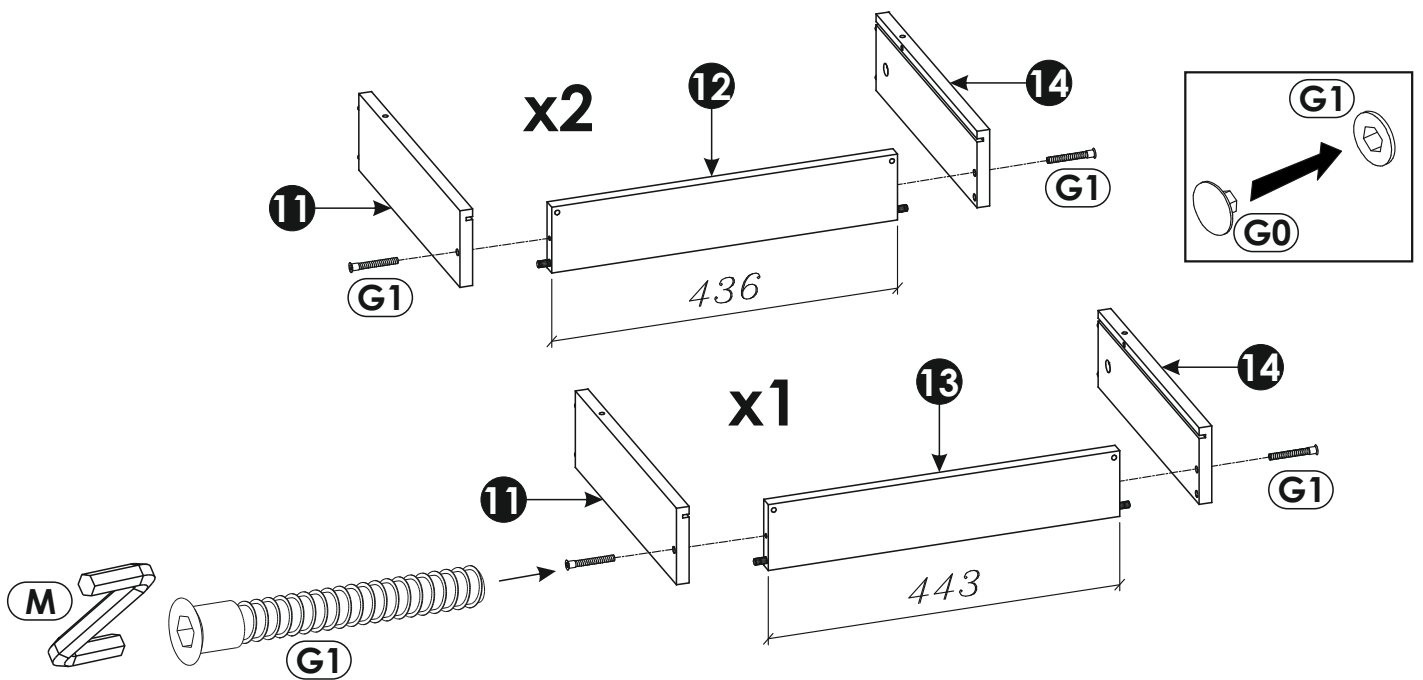
10 ▶



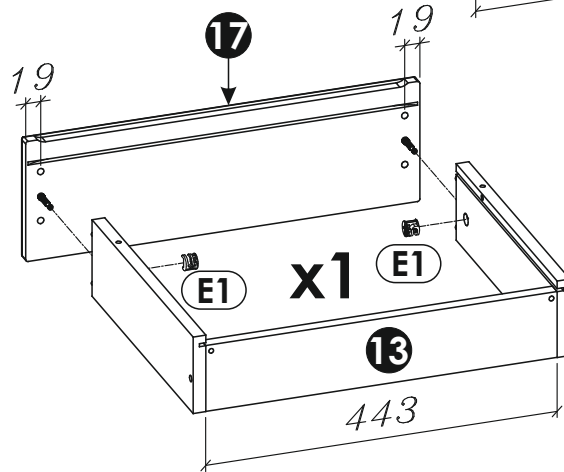
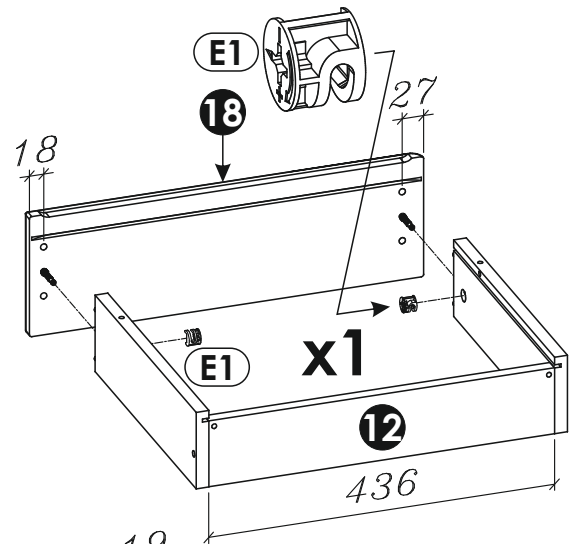
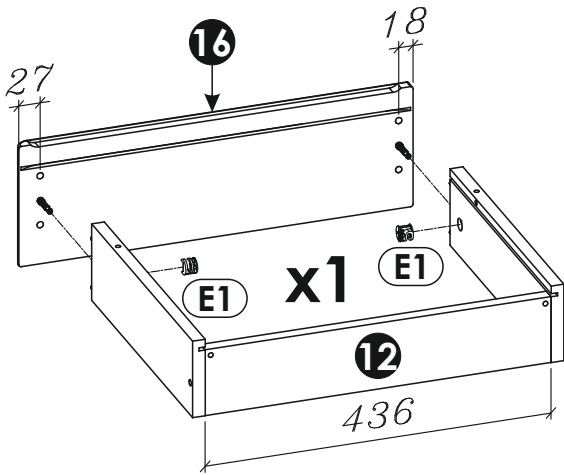
11 ▶



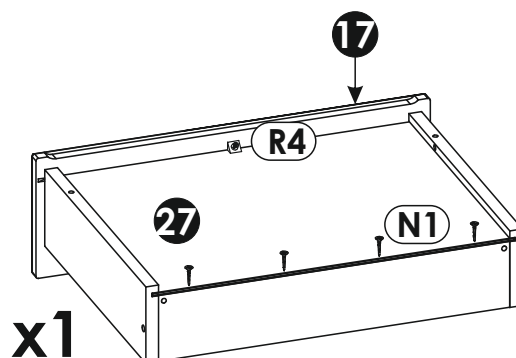
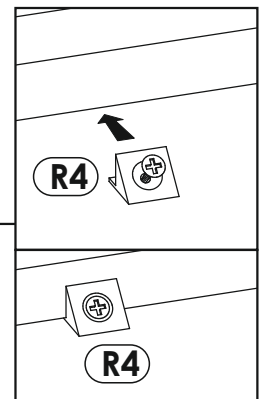
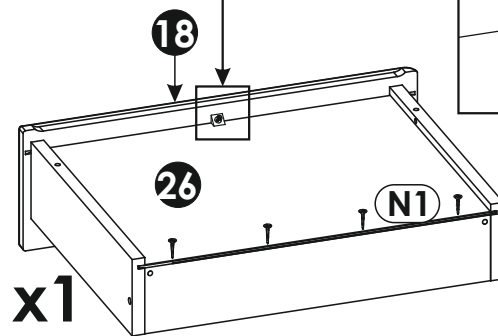
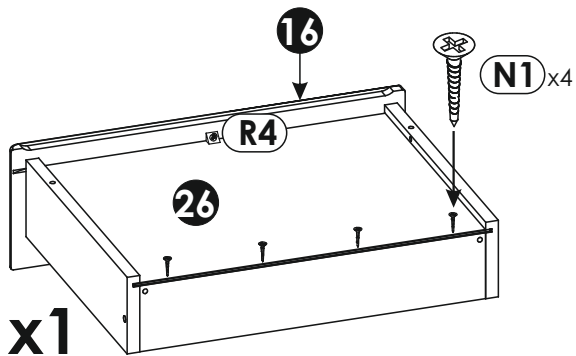
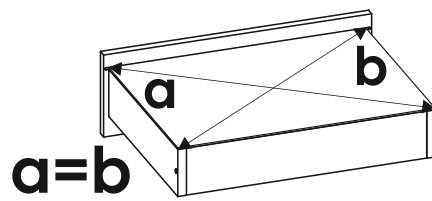
12 ▶



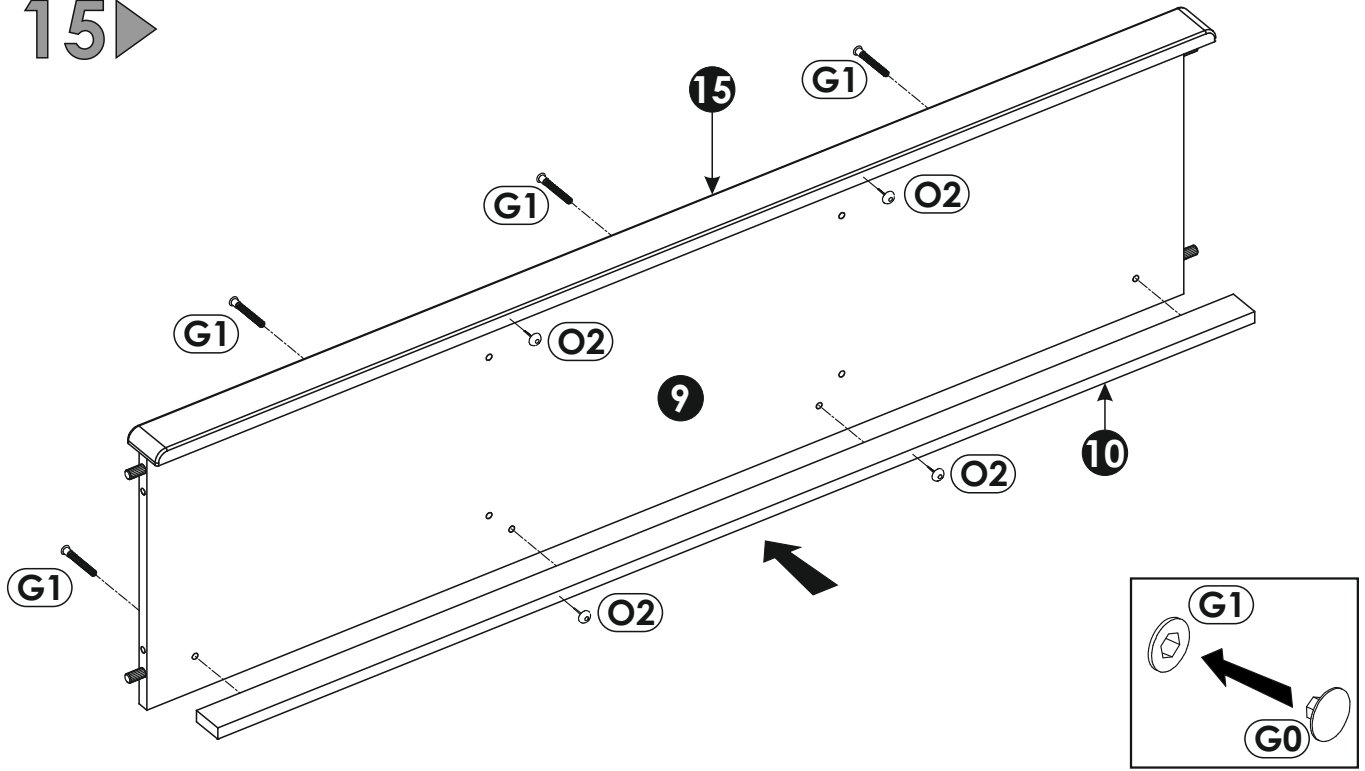
13 ▶



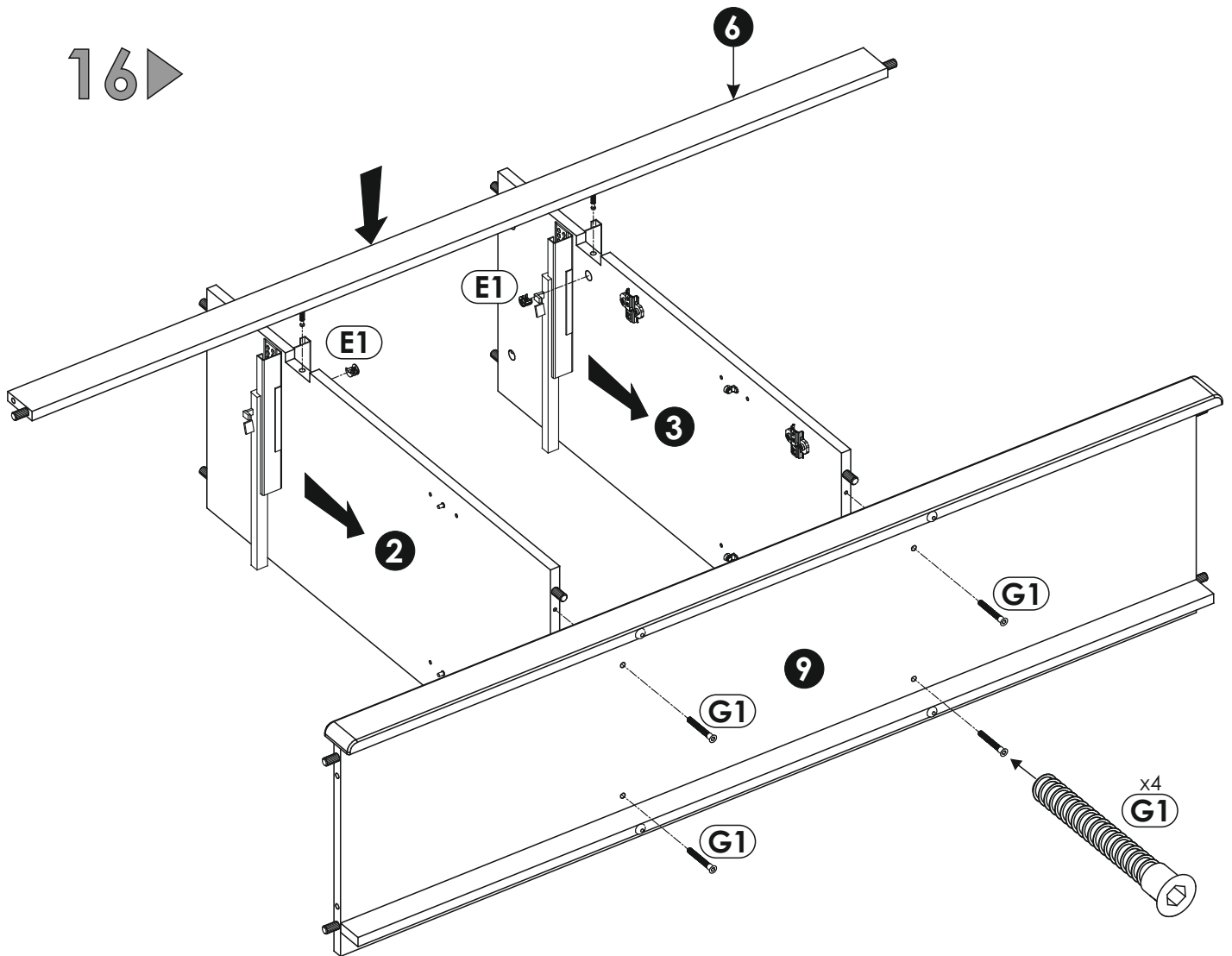
14 ▶



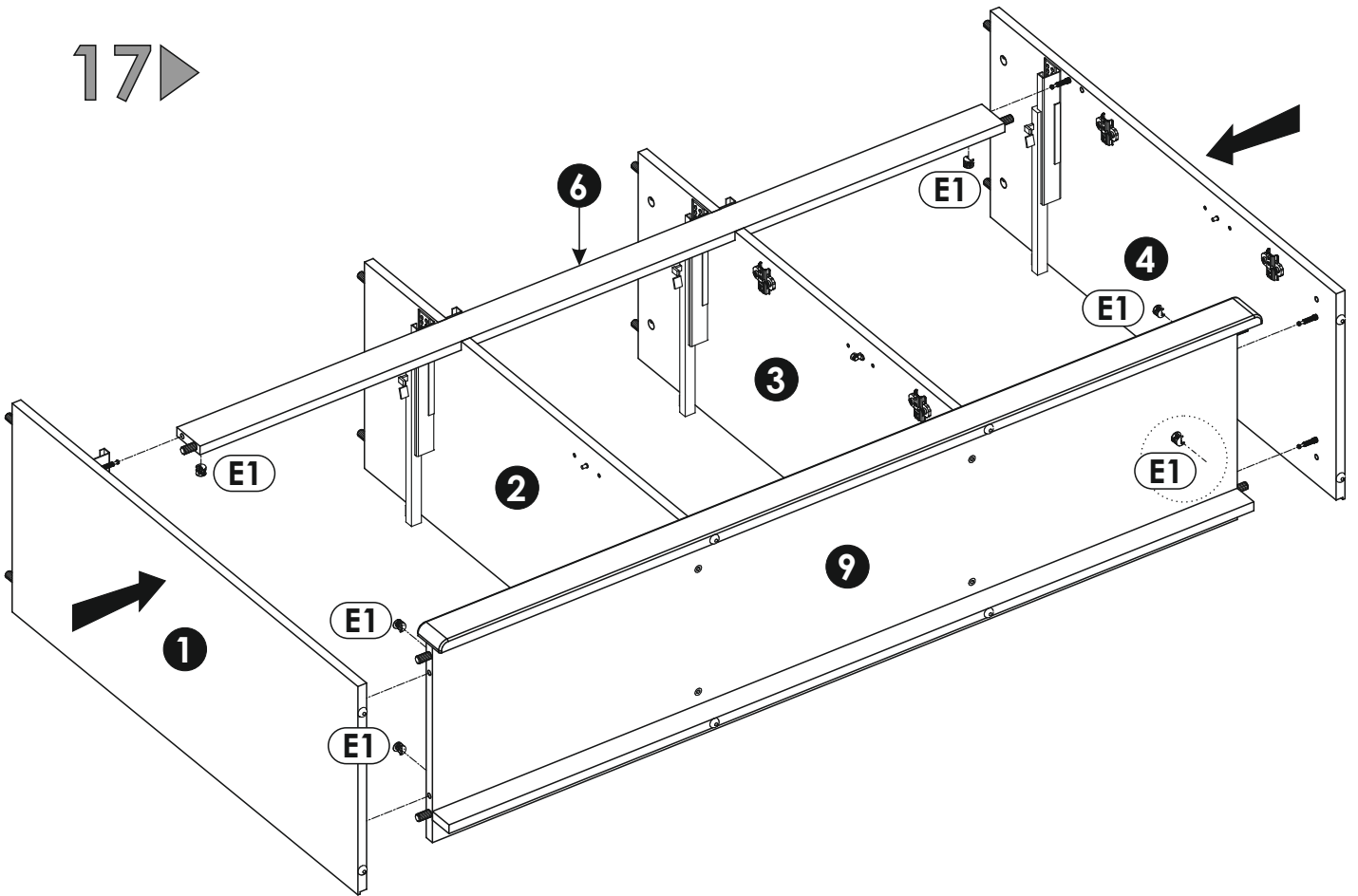
15▶



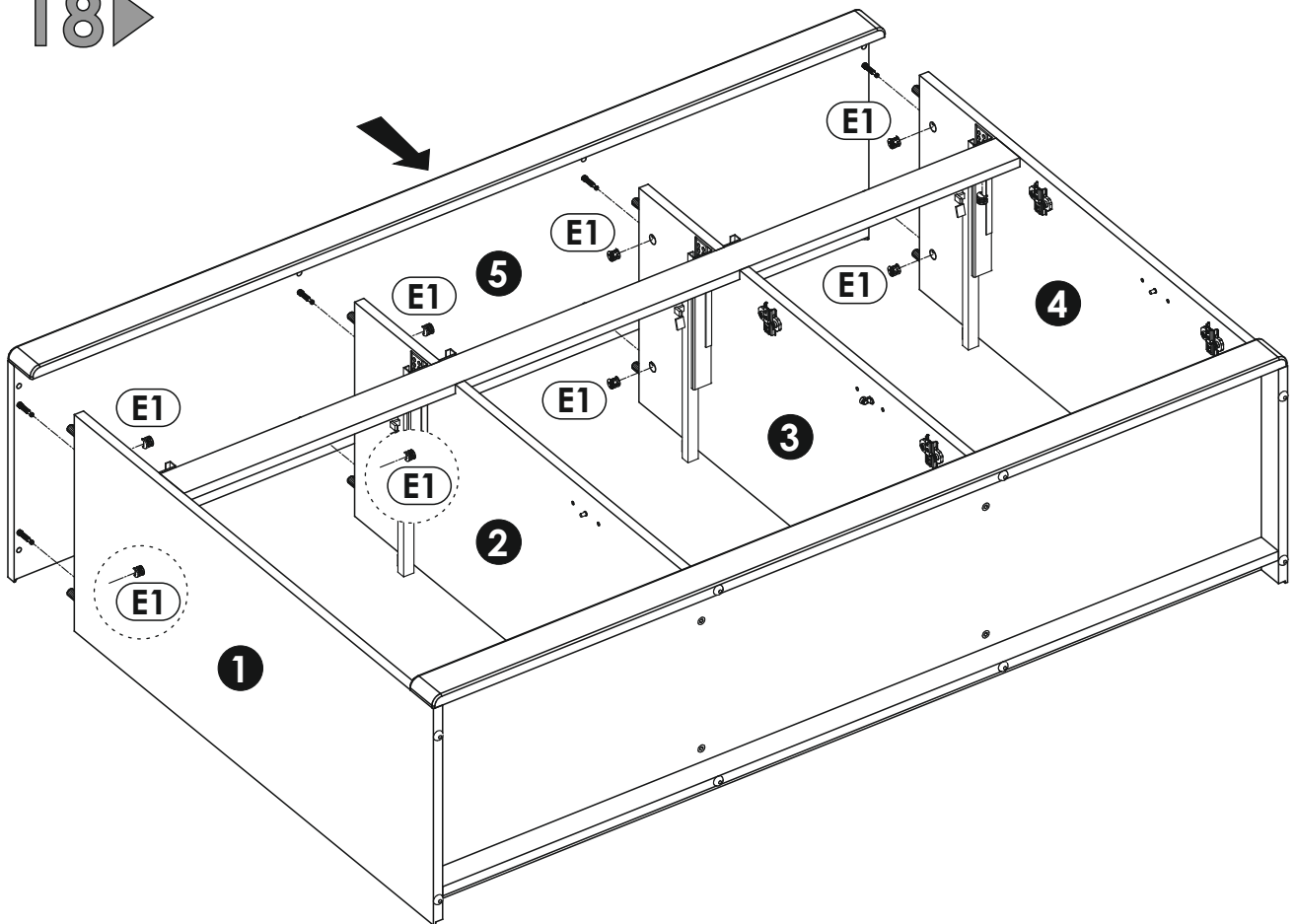
16▶



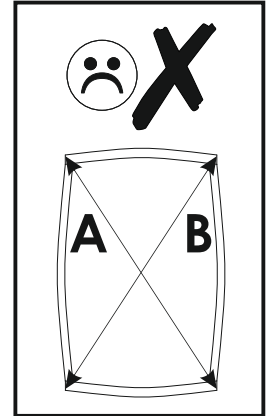
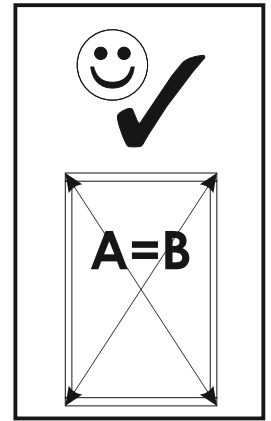
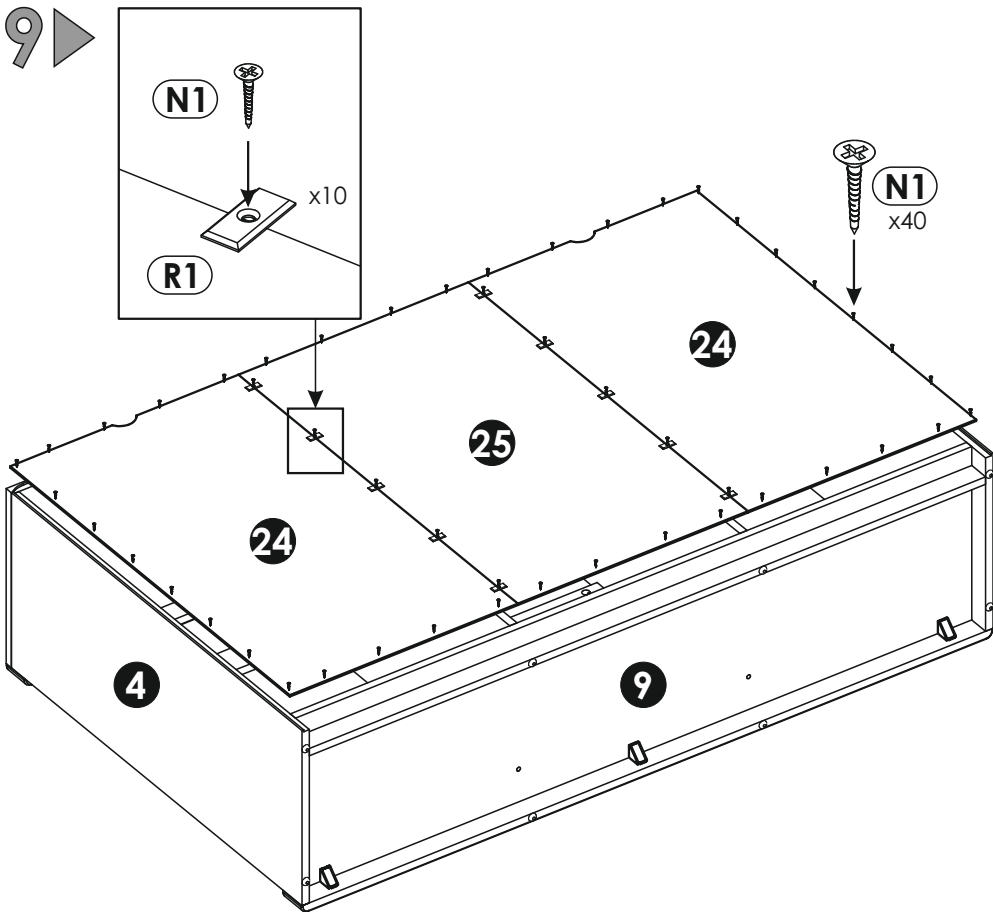
17 ▶



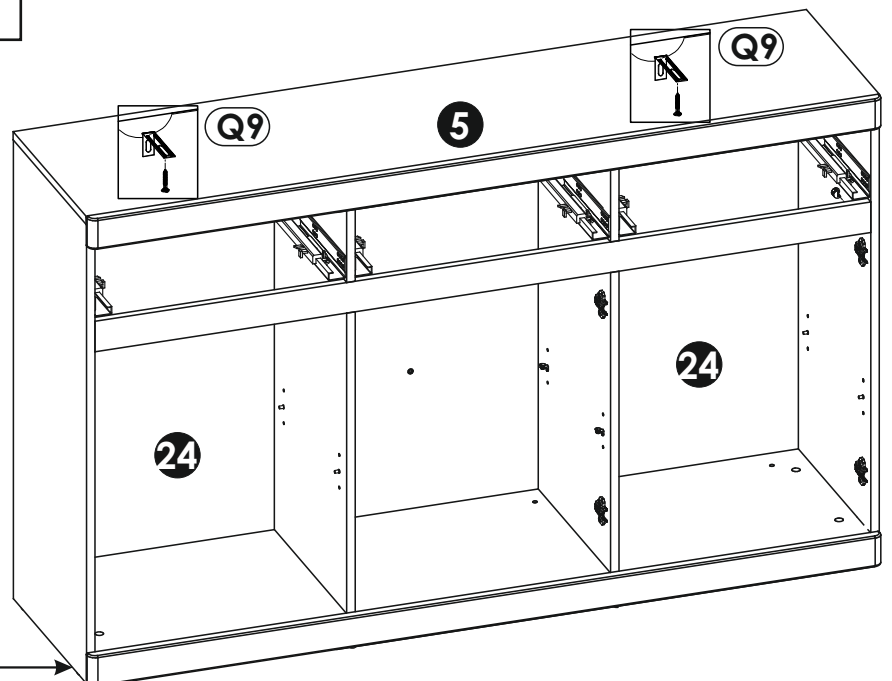
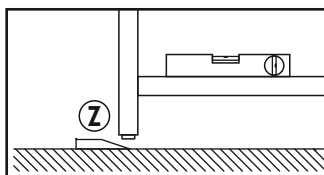
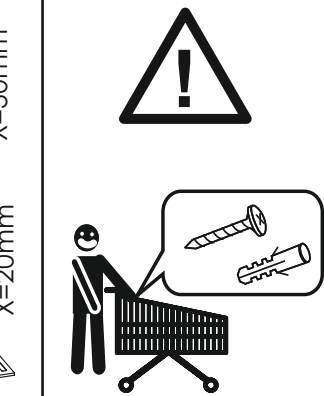
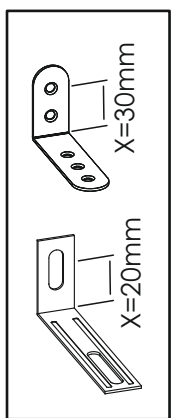
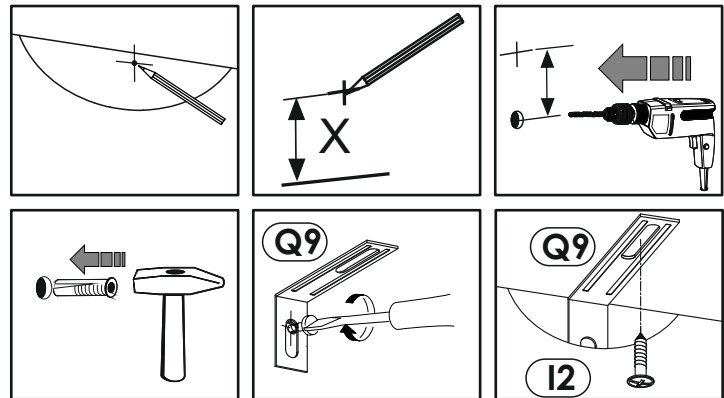
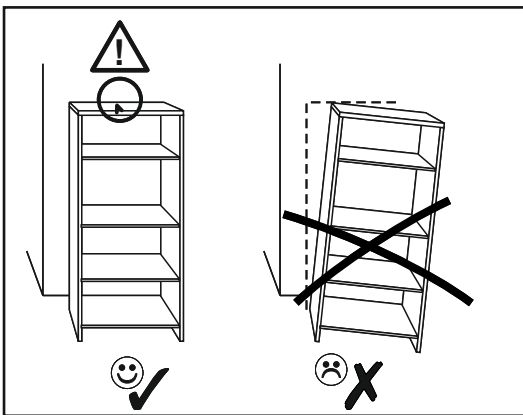
18 ▶



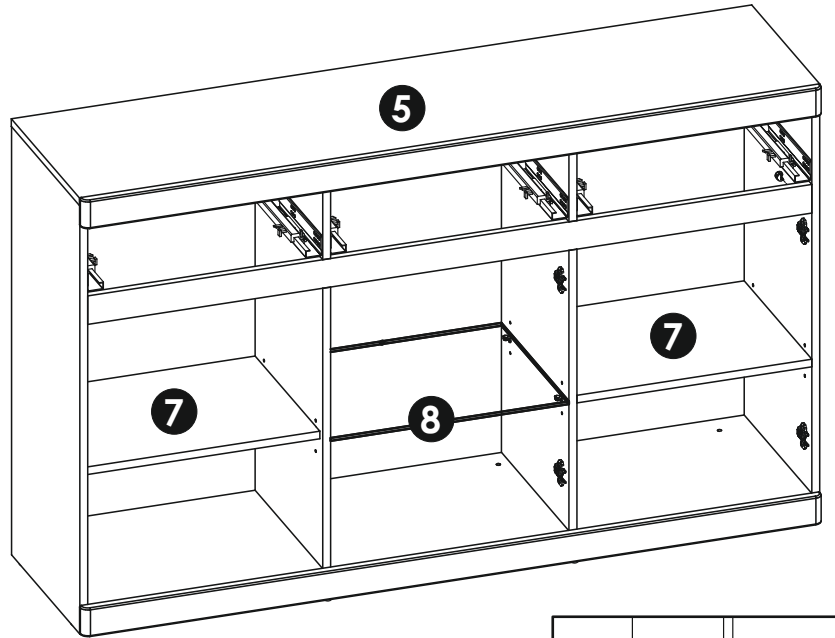
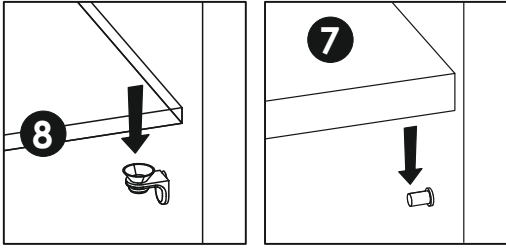
19 ▶



20 ▶



21 ▶



22 ▶

