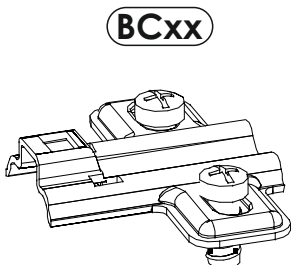
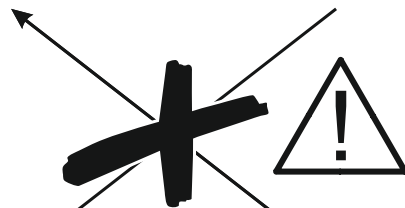
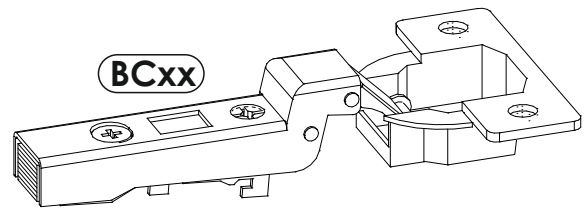
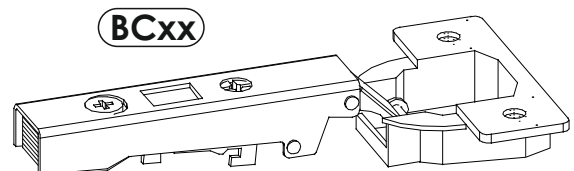


OK



OK



MM

260

250

240

230

220

210

200

190

180

170

160

150

140

130

120

110

100

90

80

70

60

50


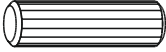
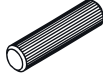
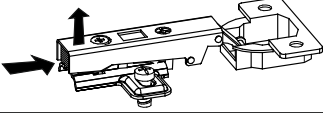
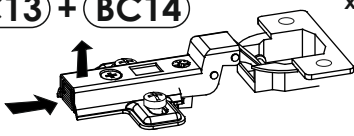





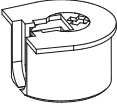

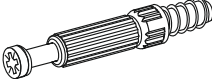
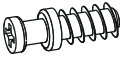
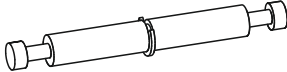





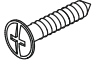

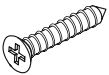
40

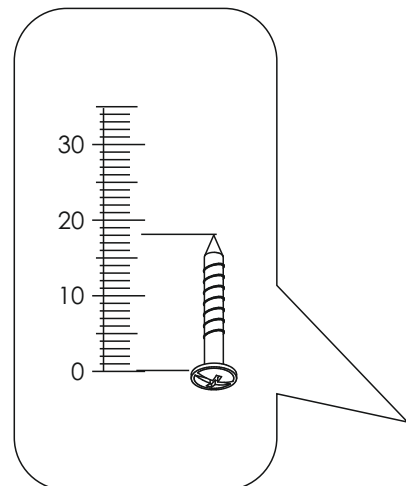
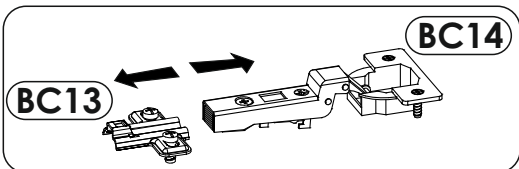
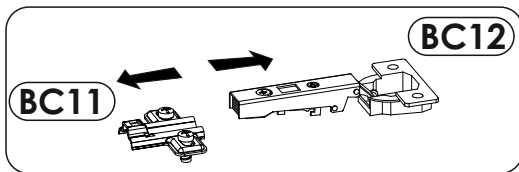
30

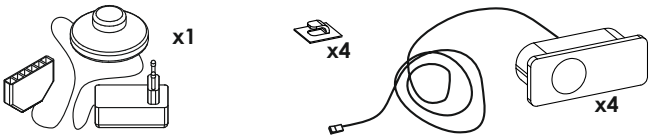
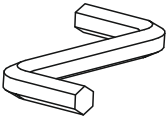
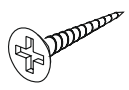
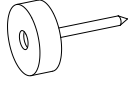
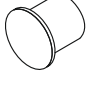
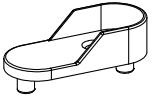

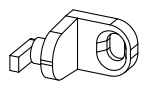
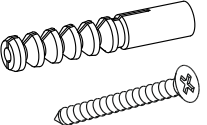
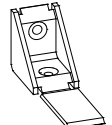
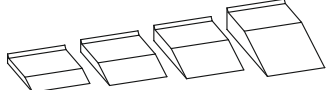
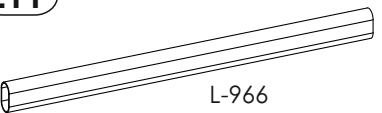
20

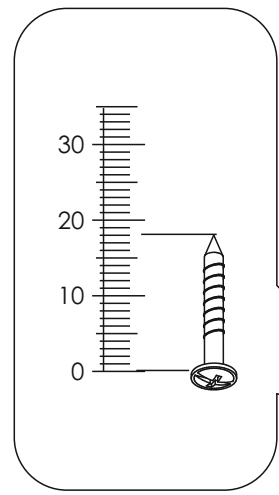
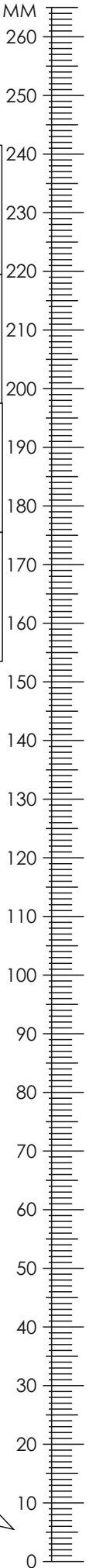
10

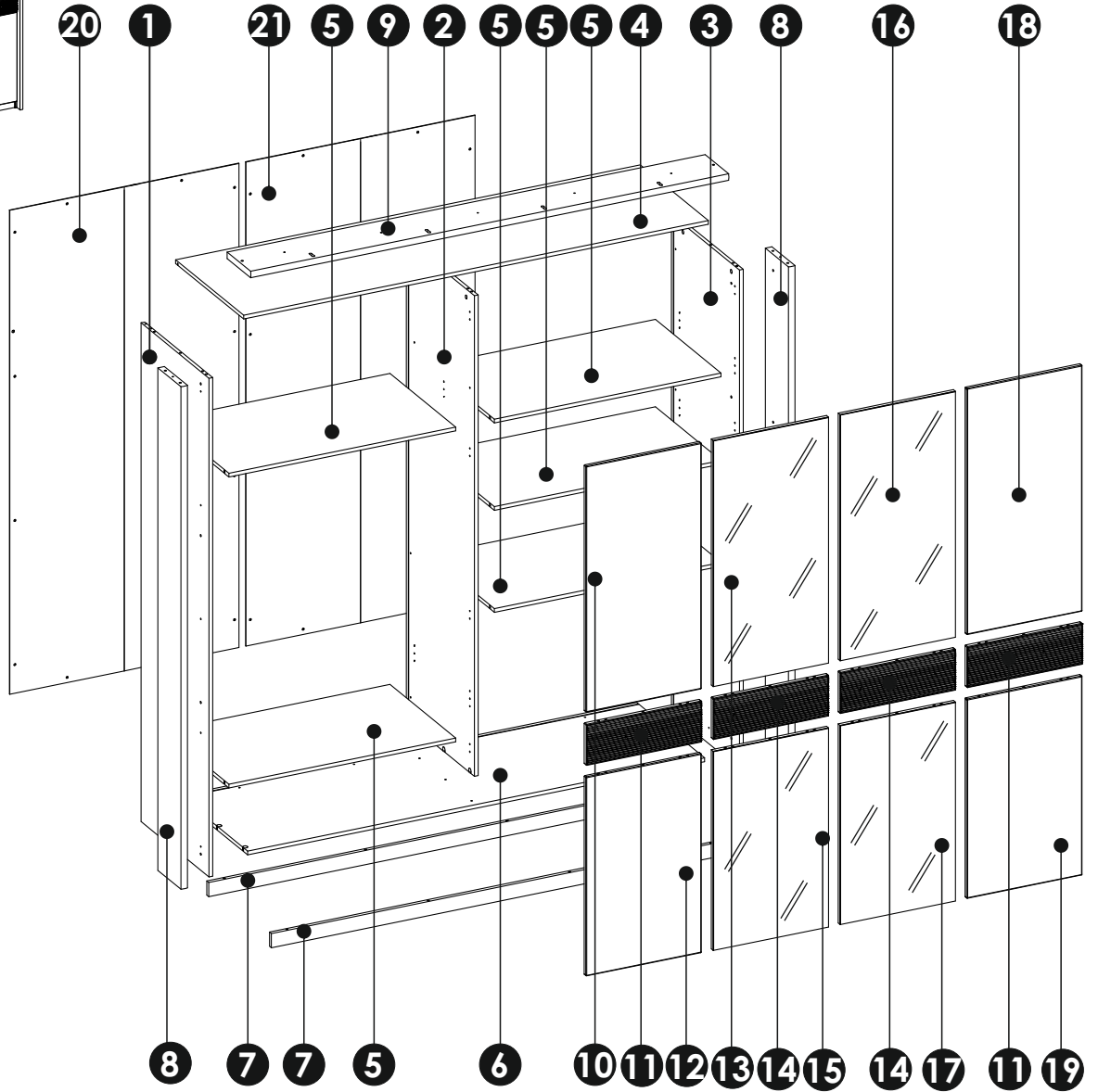
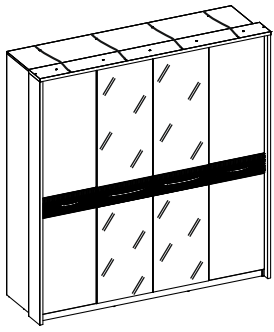
0

A0 ø8 x 24 mm x8 	A1 ø8 x 35 mm x21 	A2 8 x 45 mm x16 
BC11 + BC12 x8 	BC13 + BC14 x8 	C1 4 x 13 mm x32 
C8 6,3 x 13 mm x24 	E0a x48 	E0b x6 
E1 15 x 12 mm x54 	E4 x29 	E14 x12 
F1 6 x 34 mm x6 	F2 x29 	F8 φ7 x 58 mm x24 
G0 x2 	G2 φ7 x 60 mm x2 	H1 L-197 mm x2 
H2 L-357 mm x2 	I2 4 x 16 mm x2 	I6 4 x 40 mm x10 
J3 4 x 22 mm x8 	J8 4 x 40 mm x10 	



L10 	M 	
N2 3,5 X 16 mm 	O2 	P0a $\varnothing 5$ 
P44 	Q9 	R24 
S13 	W 	Z 
Z11  <p>L-966</p>		

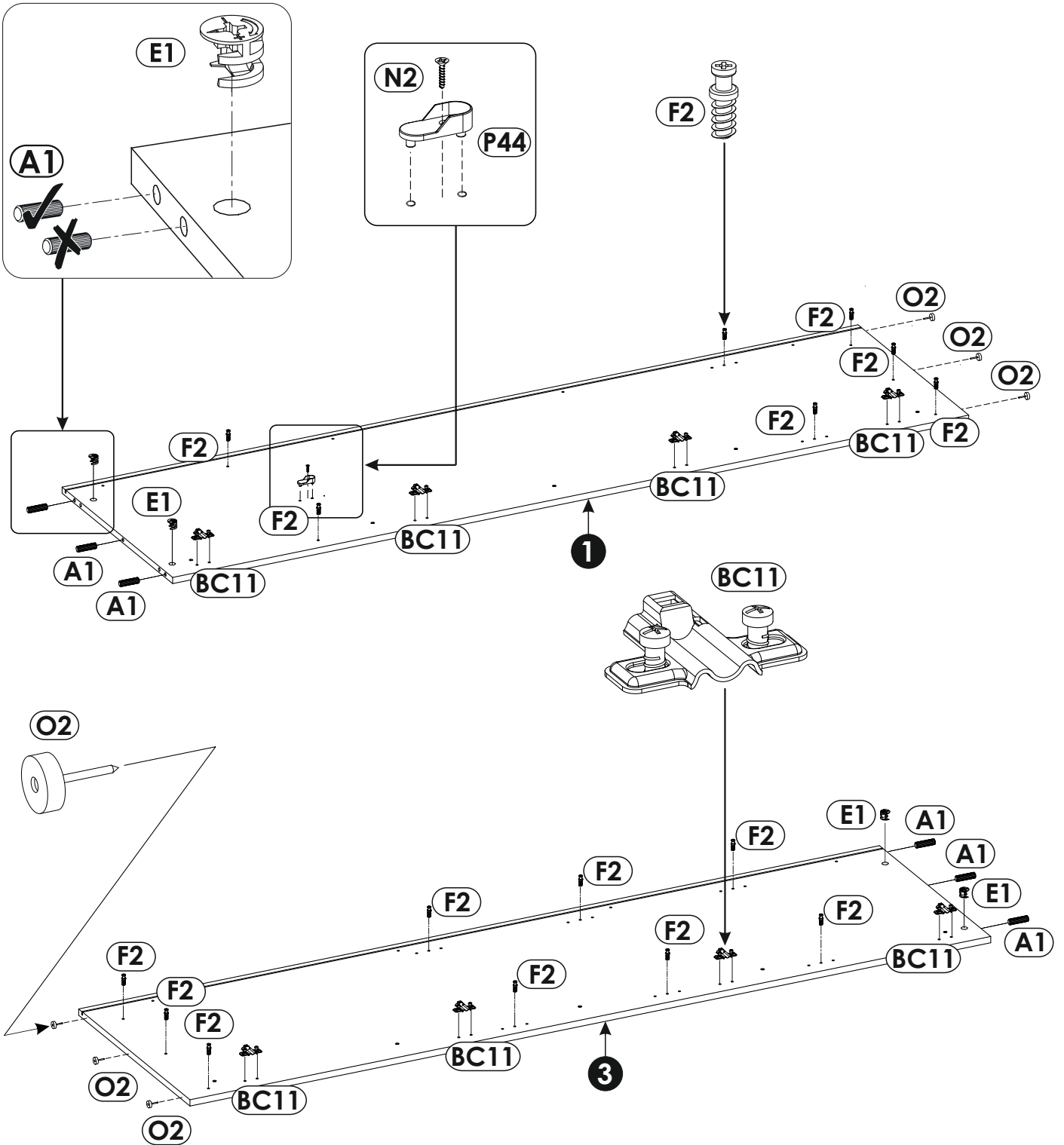
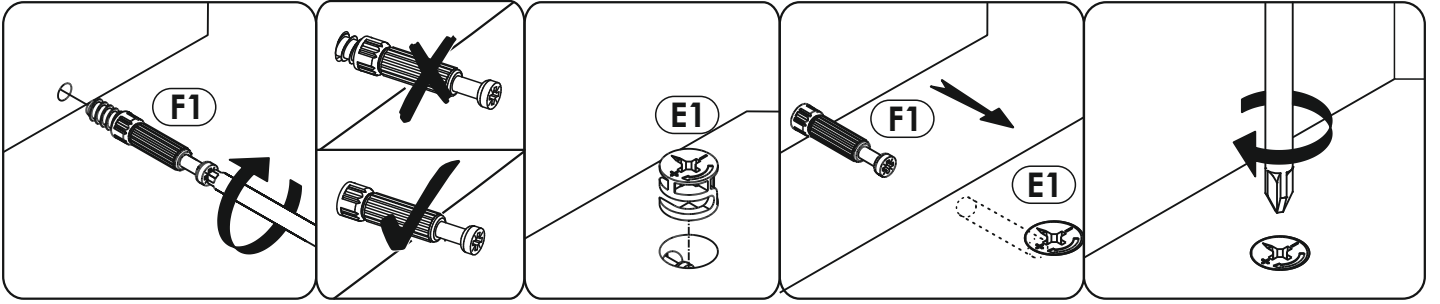




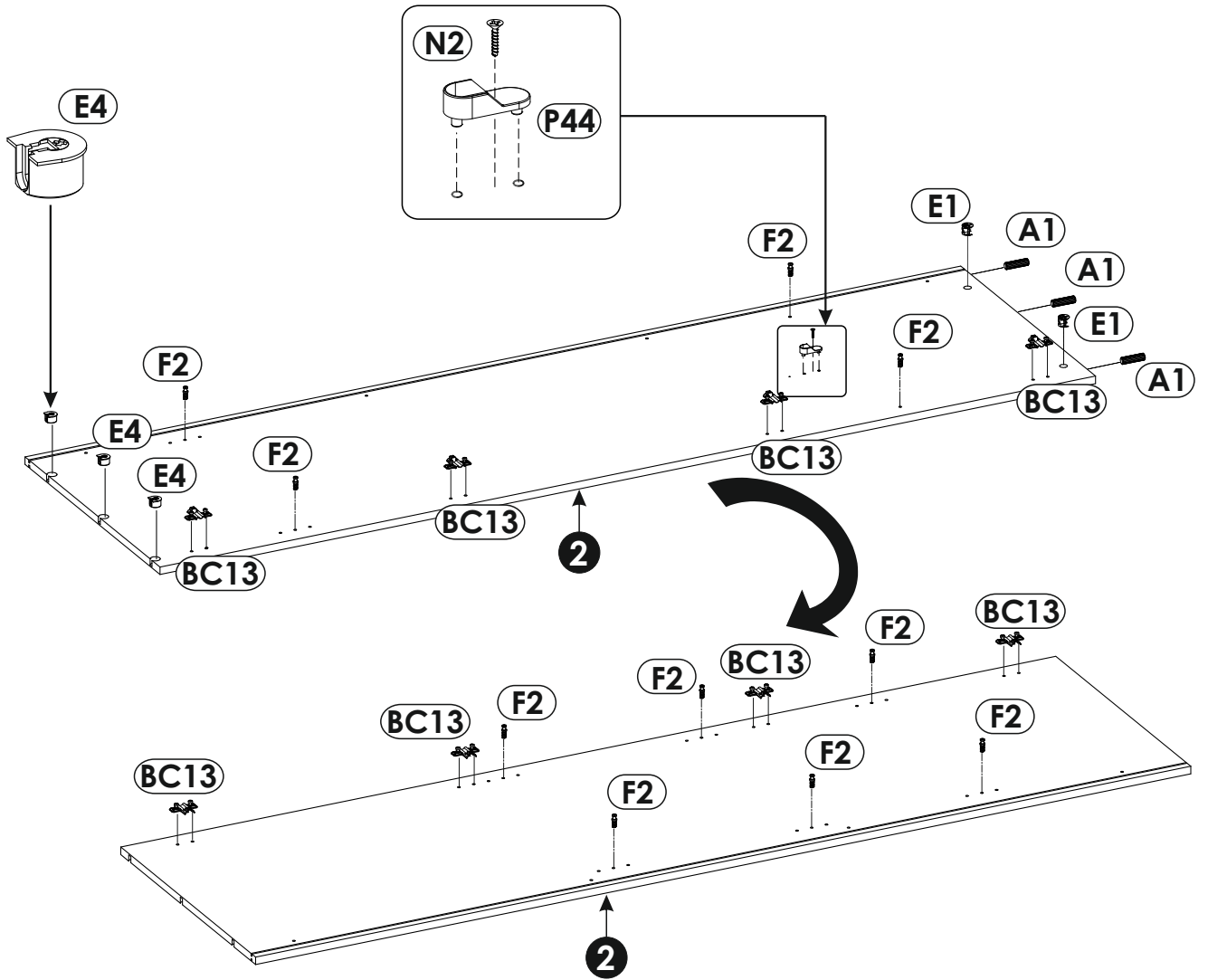
1	2104	585	16	x1	6/7
2	2028	585	16	x1	7/7
3	2104	585	16	x1	6/7
4	1999	585	16	x1	5/7
5	975	565	16	x5	4/7
6	1966	585	16	x1	5/7
7	1966	60	16	x2	5/7

8	2120	200	28	x2	3/7
9	2056	203	28	x1	3/7
10	496	1038	16	x1	2/7
11	496	173	19	x2	1/7
12	496	840	16	x1	1/7
13	496	1038	20	x1	2/7
14	496	173	19	x2	1/7

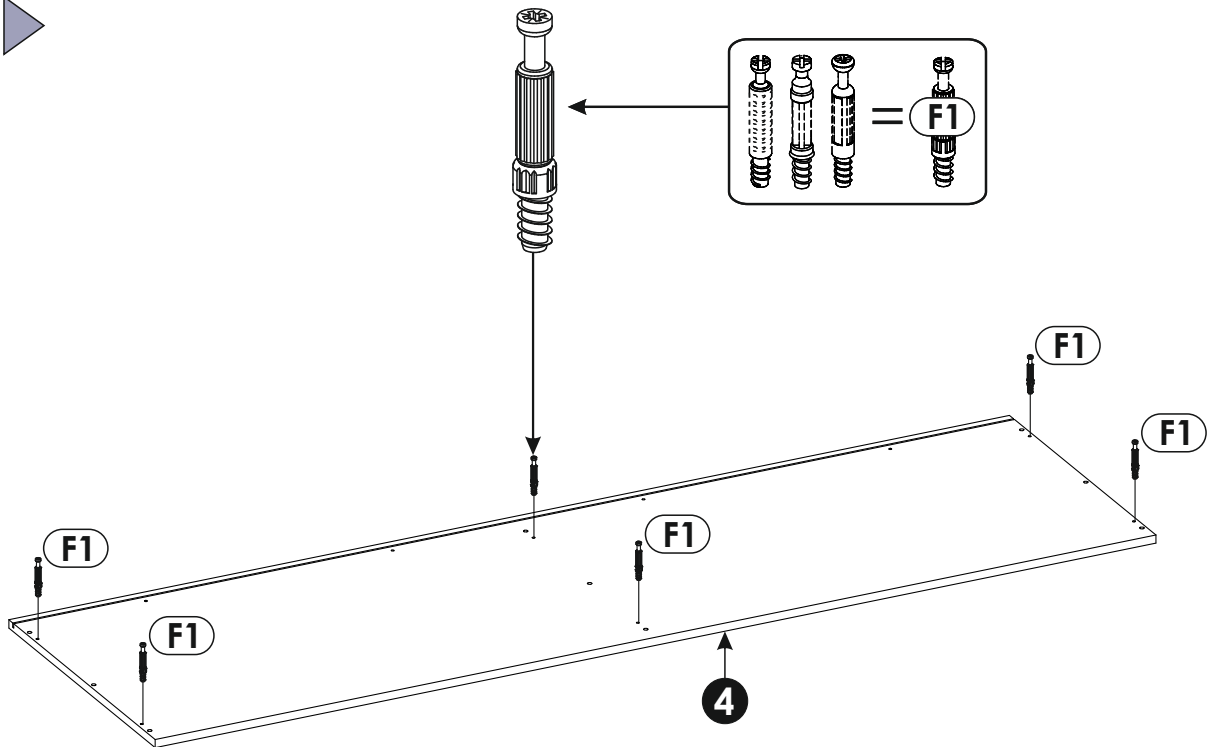
15	496	840	20	x1	1/7
16	496	1038	20	x1	2/7
17	496	840	20	x1	1/7
18	496	1038	16	x1	2/7
19	496	840	16	x1	1/7
20	2042	982	3	x1	7/7
21	2042	982	3	x1	7/7



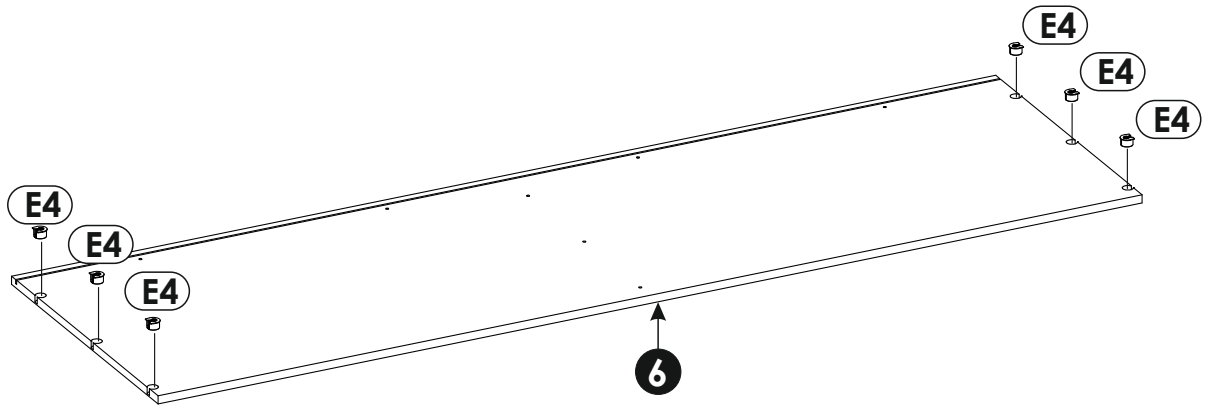
2 ▶



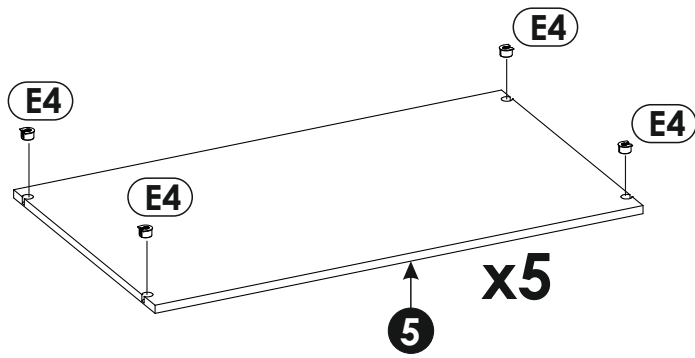
3 ▶



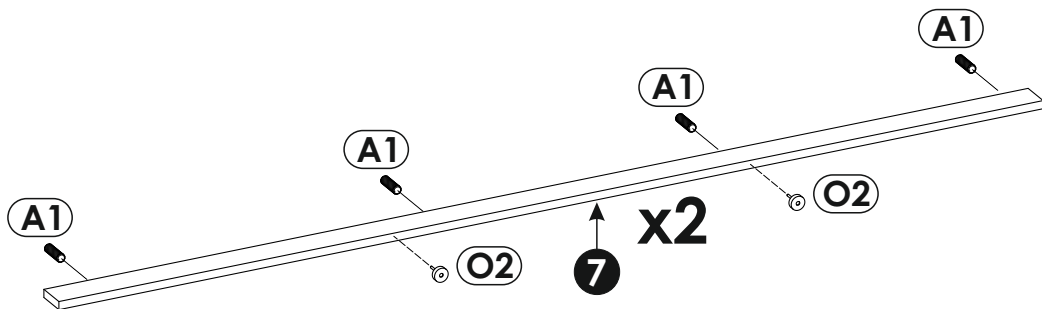
4▶



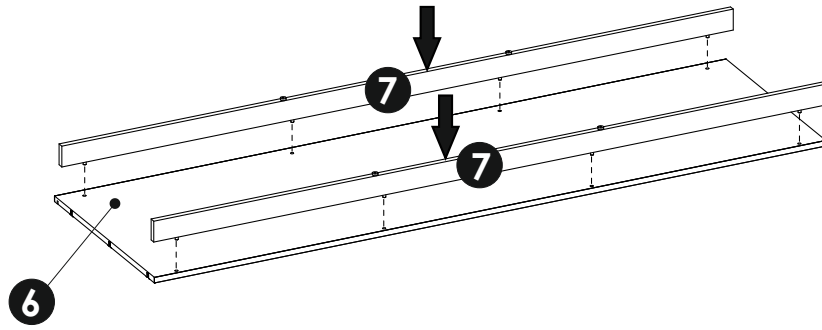
5▶



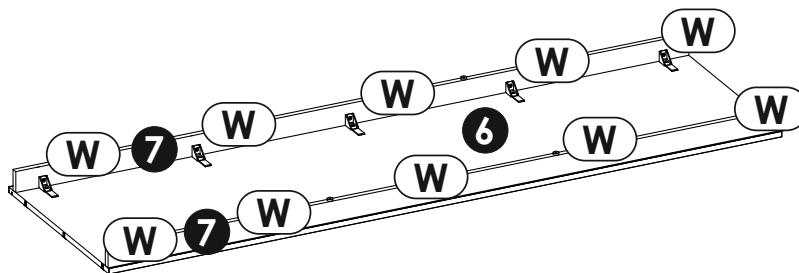
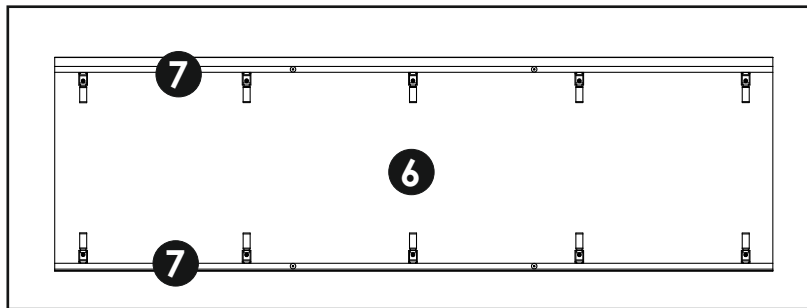
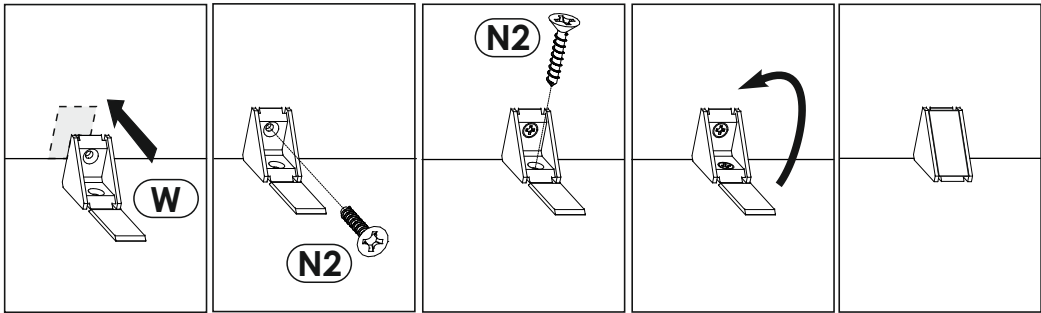
6▶



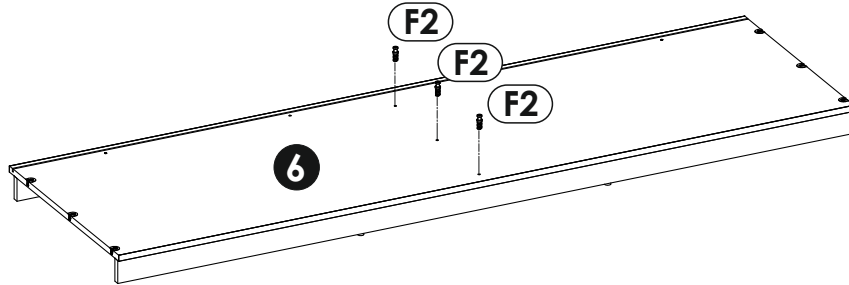
7 ▶



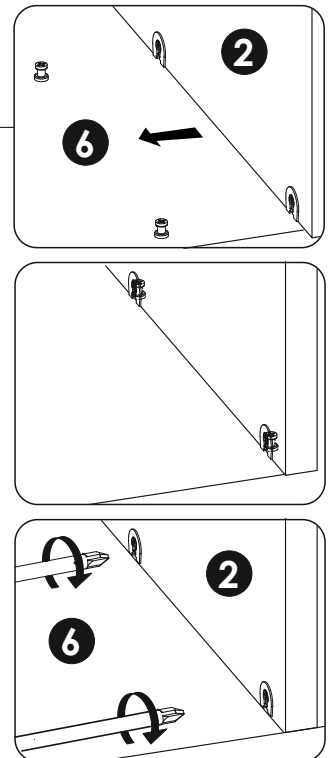
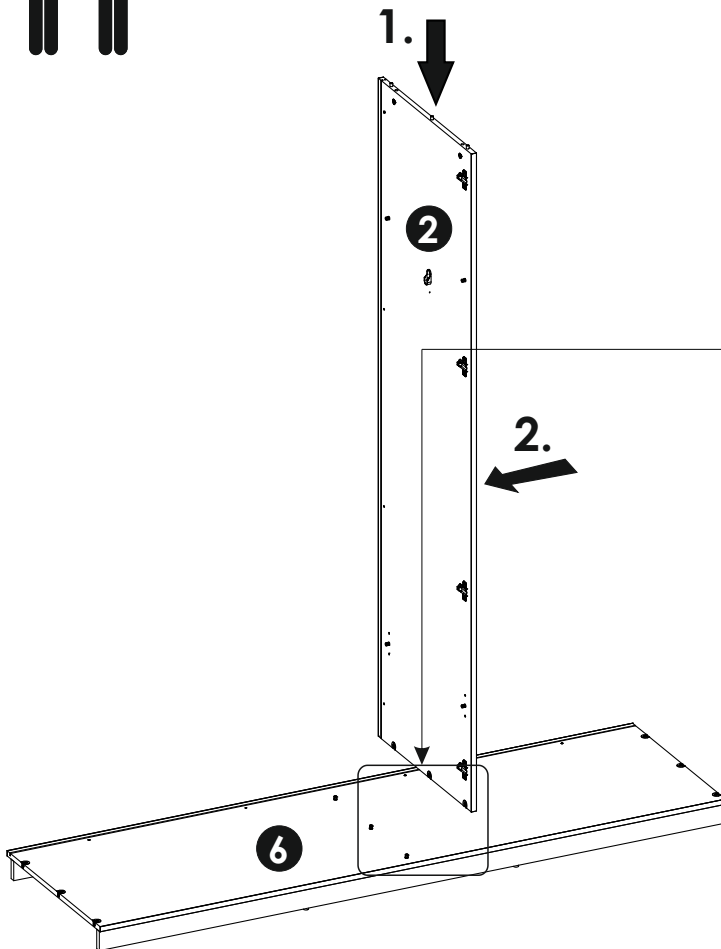
8 ▶



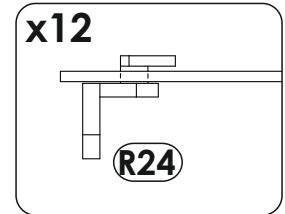
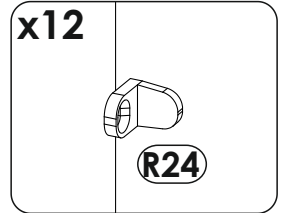
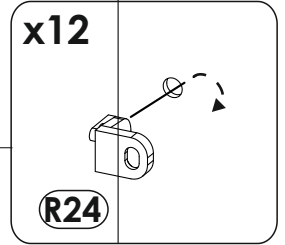
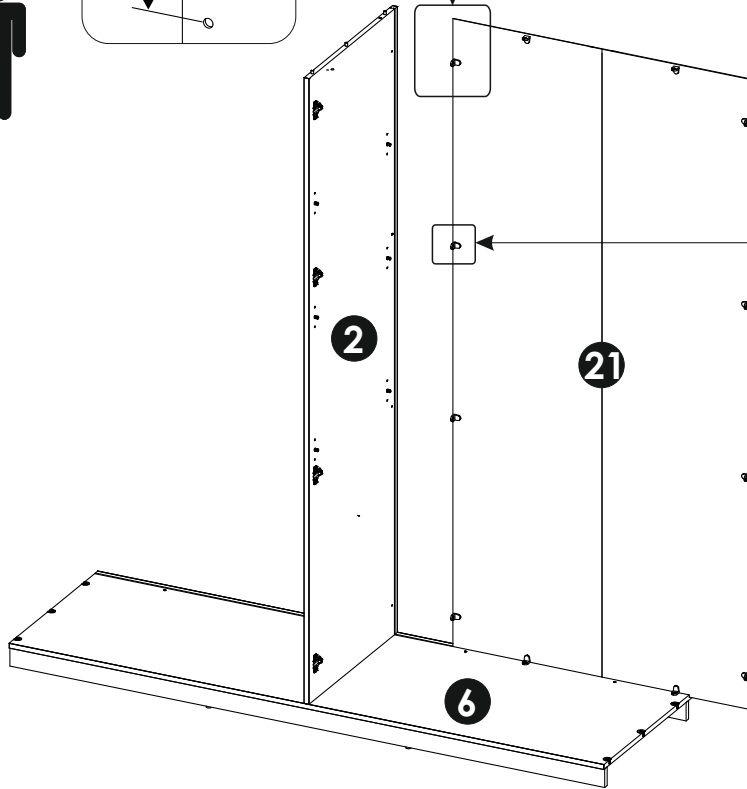
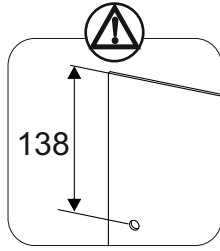
9 ▶



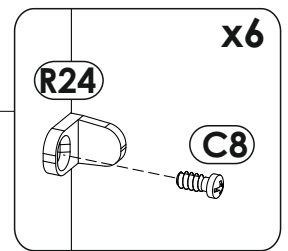
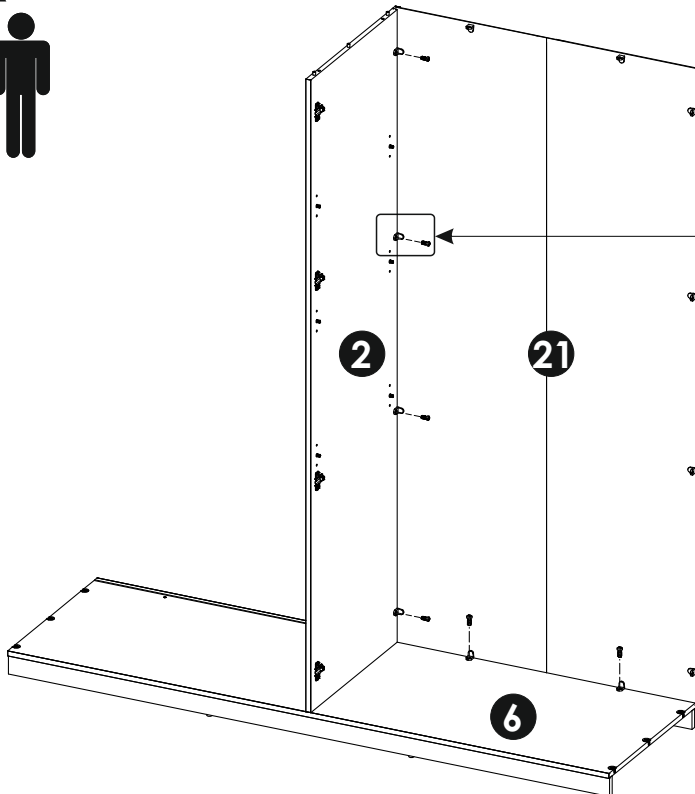
10 ▶



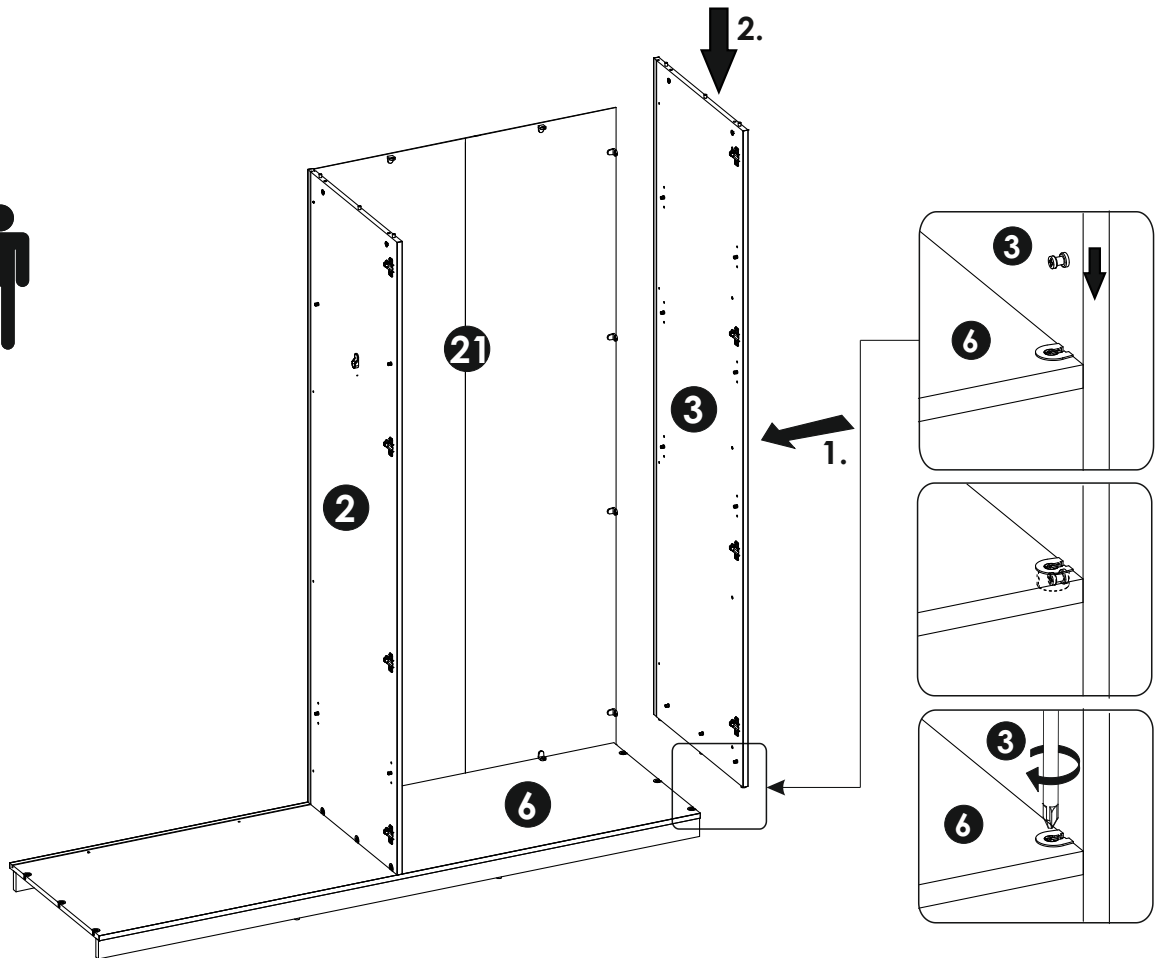
11 ▶



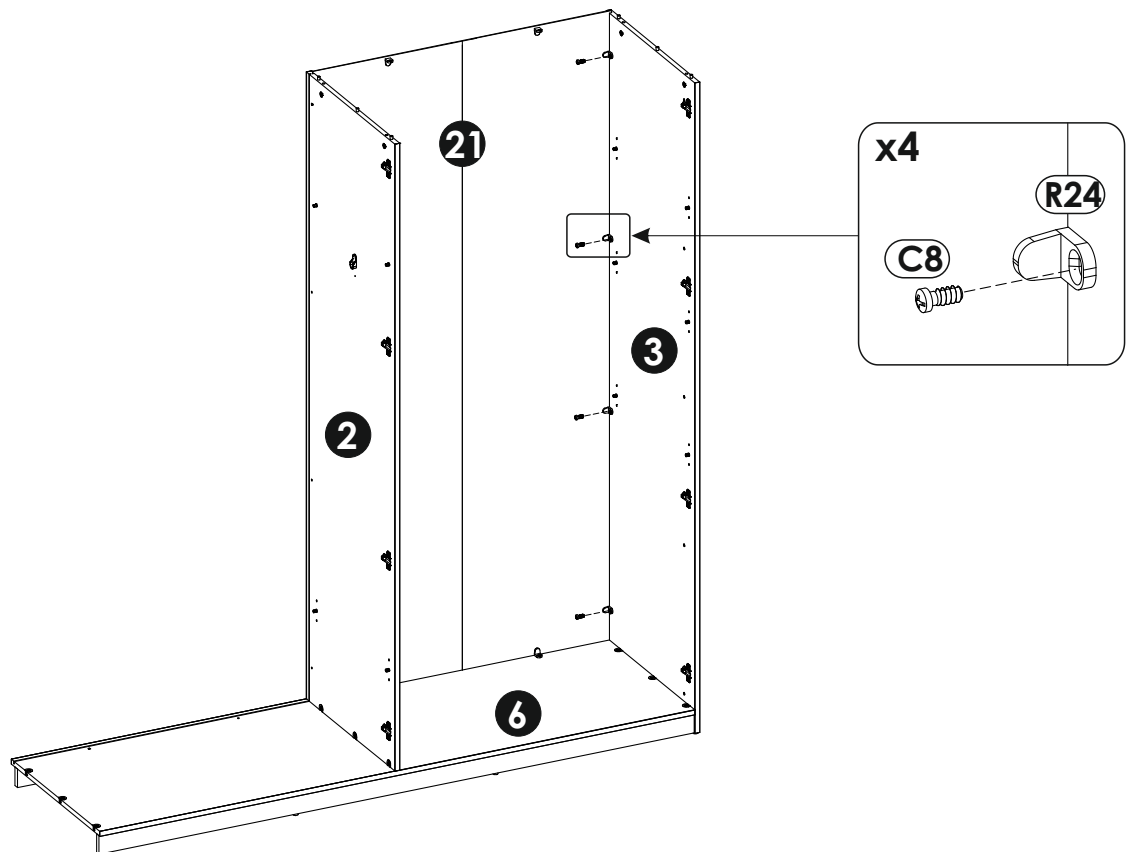
12 ▶



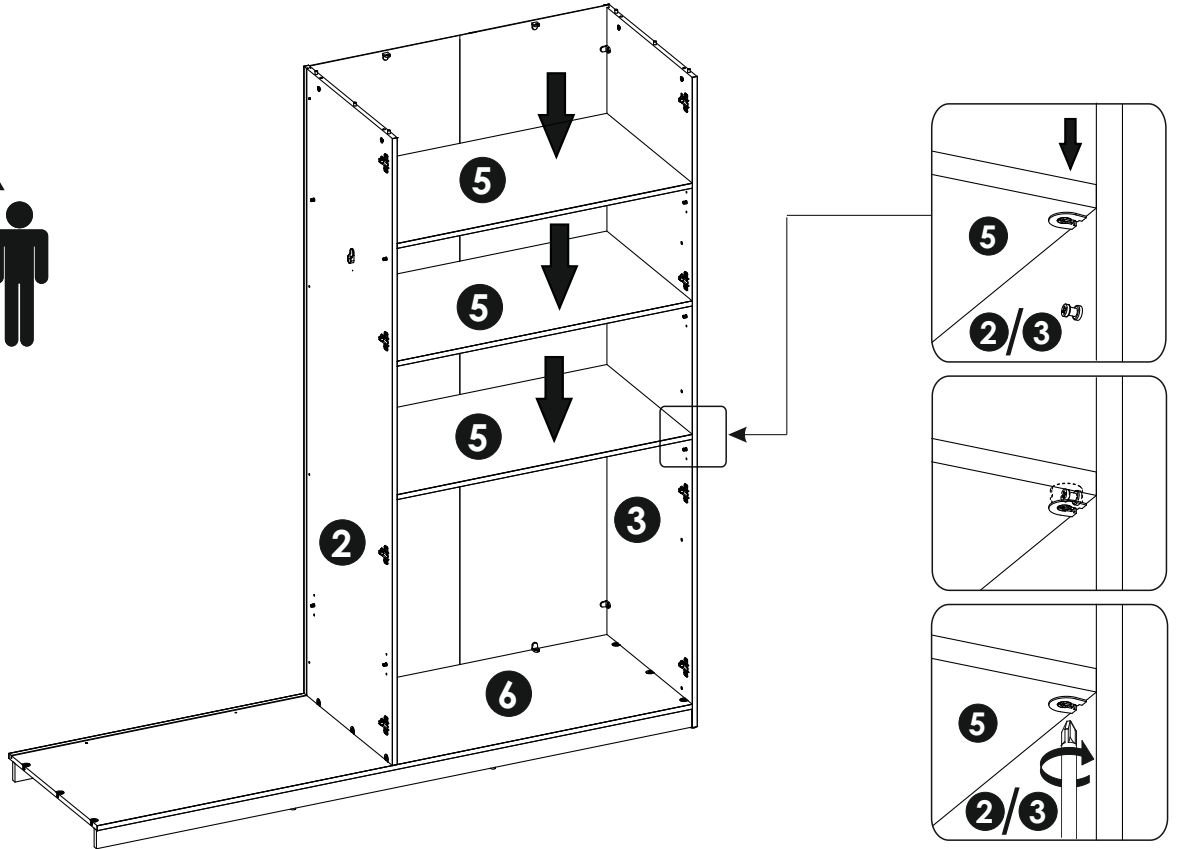
13 ▶



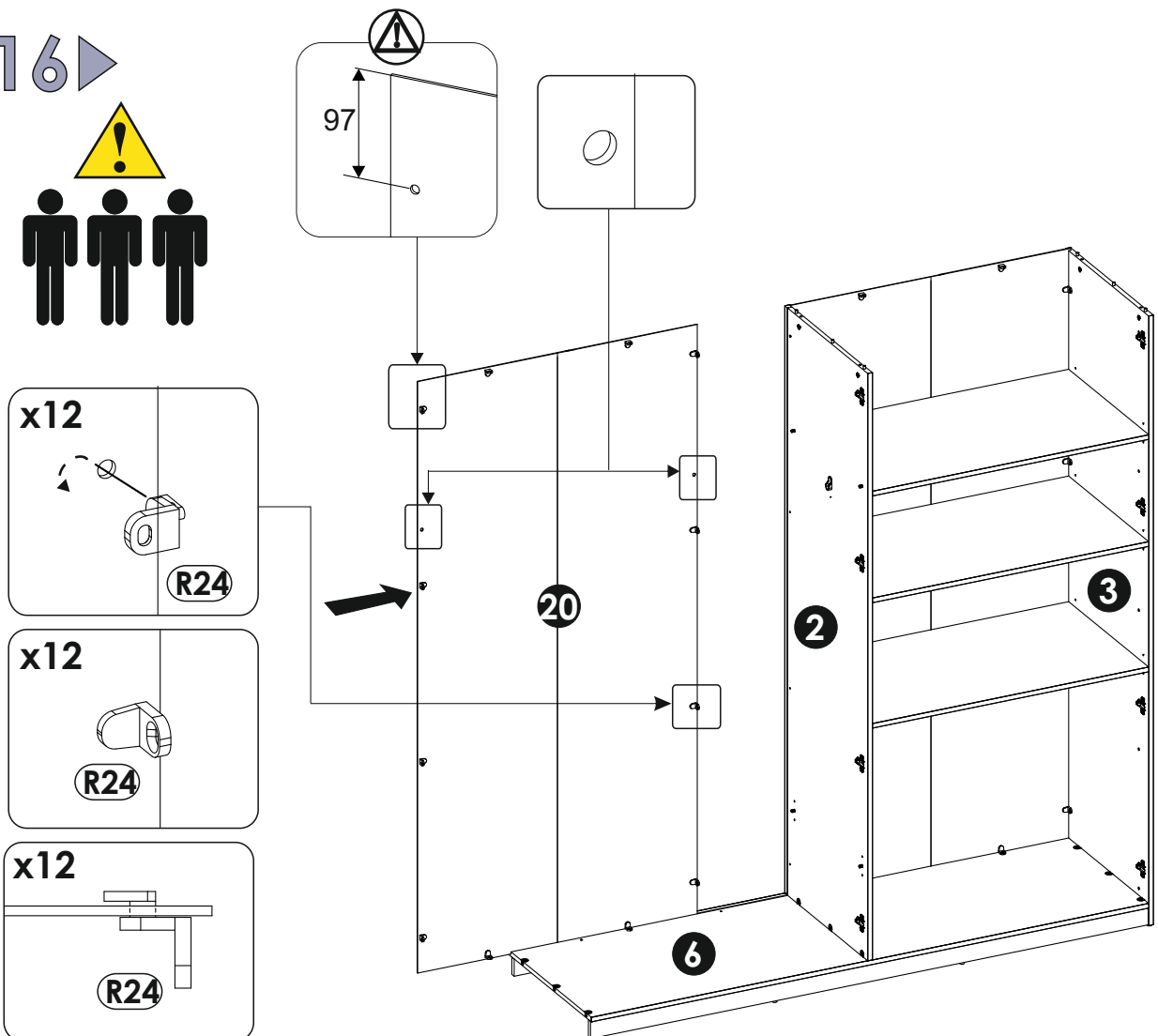
14 ▶



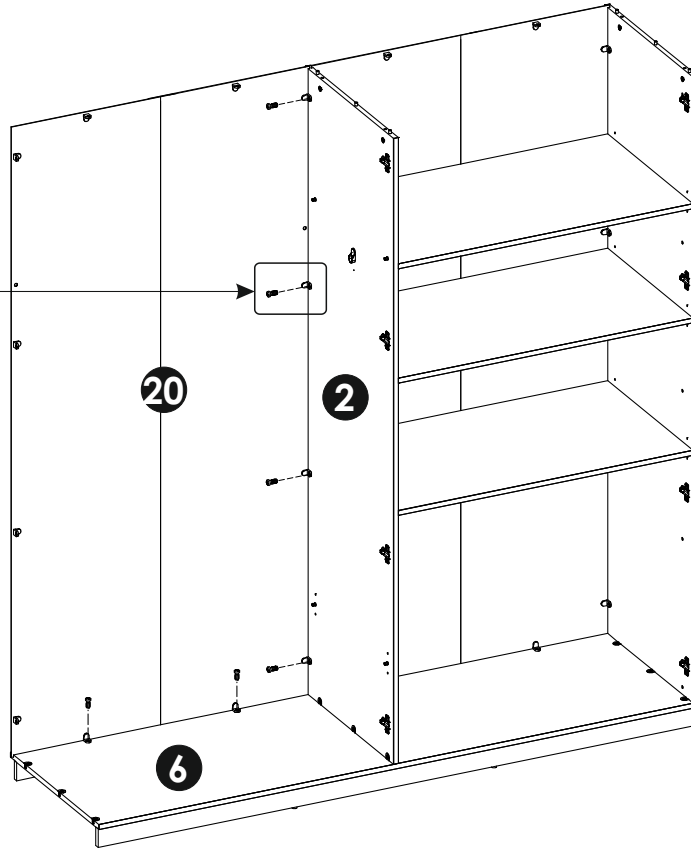
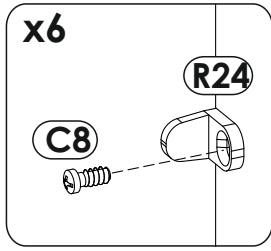
15 ▶



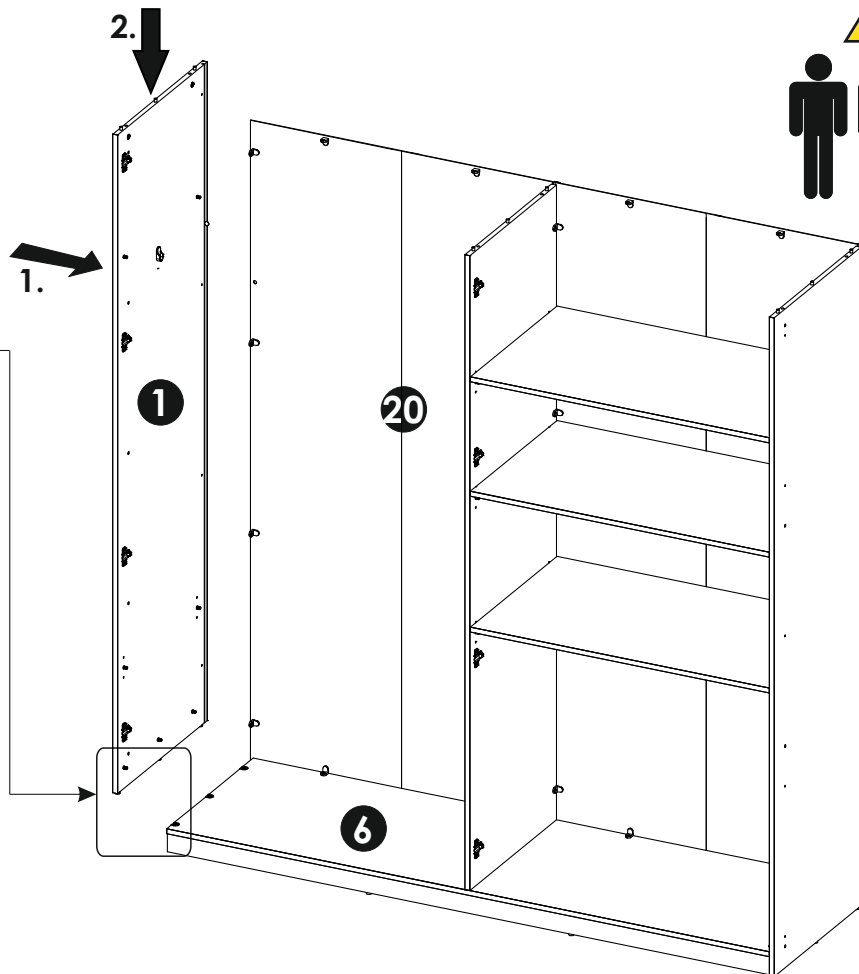
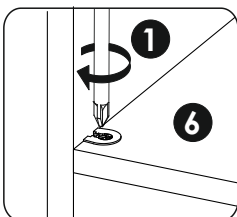
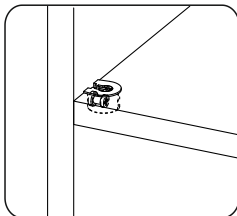
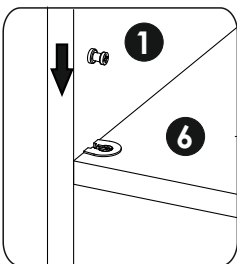
16 ▶



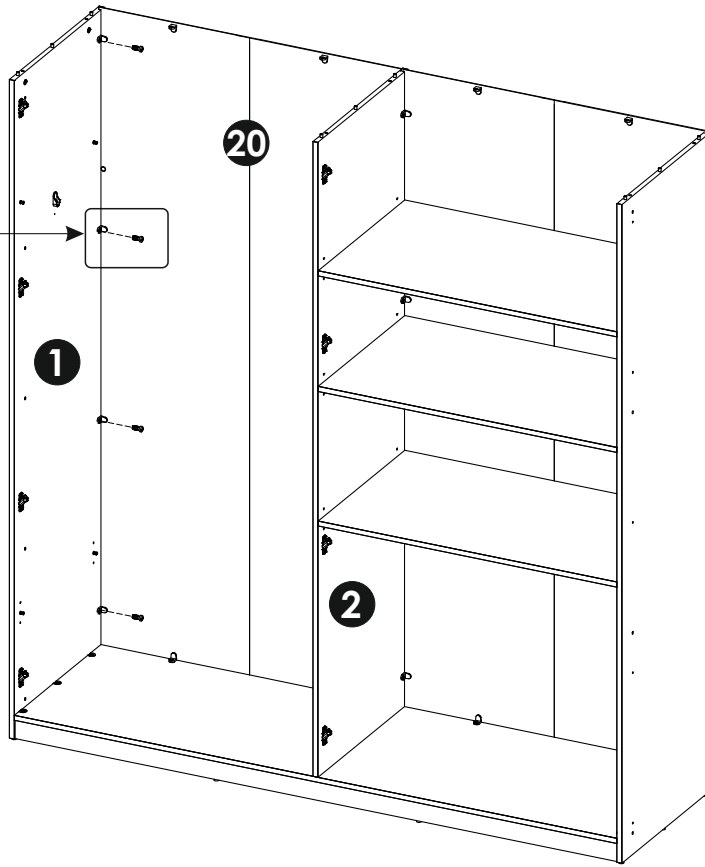
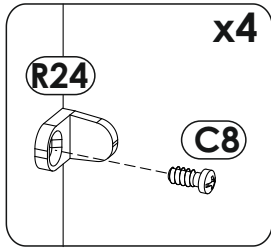
17 ▶



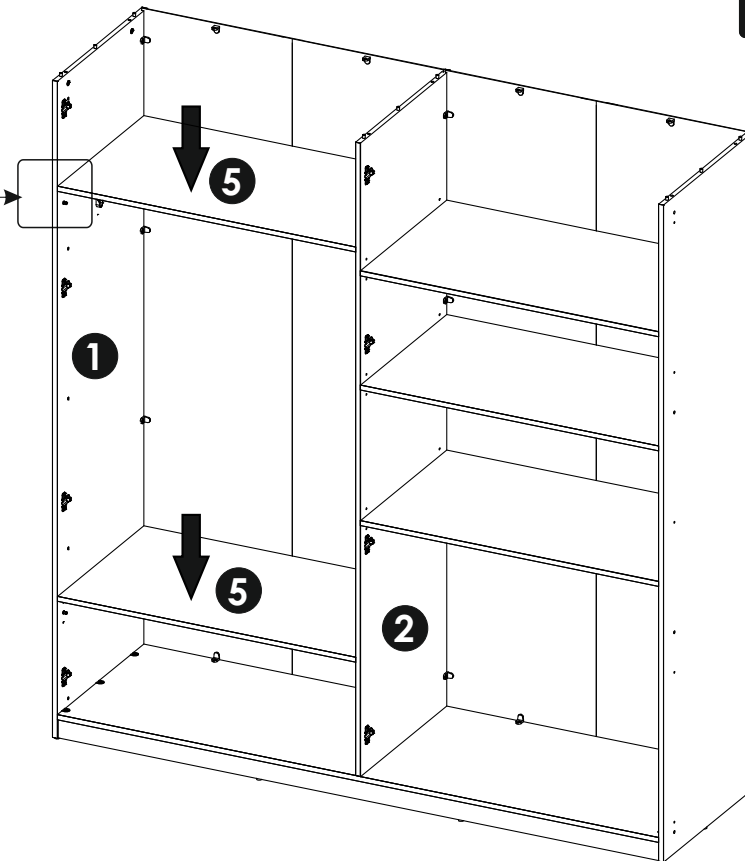
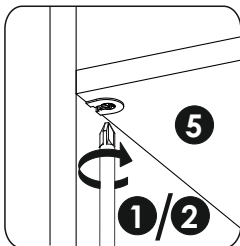
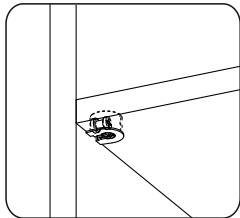
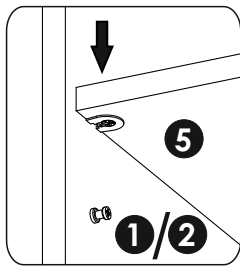
18 ▶



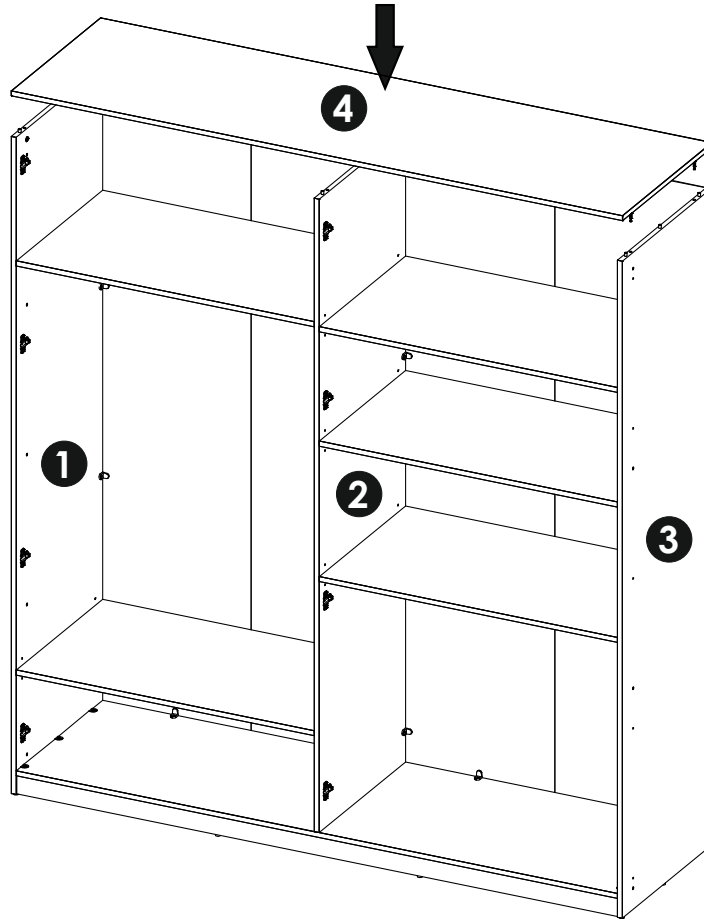
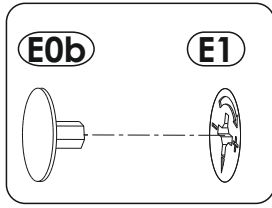
19 ▶



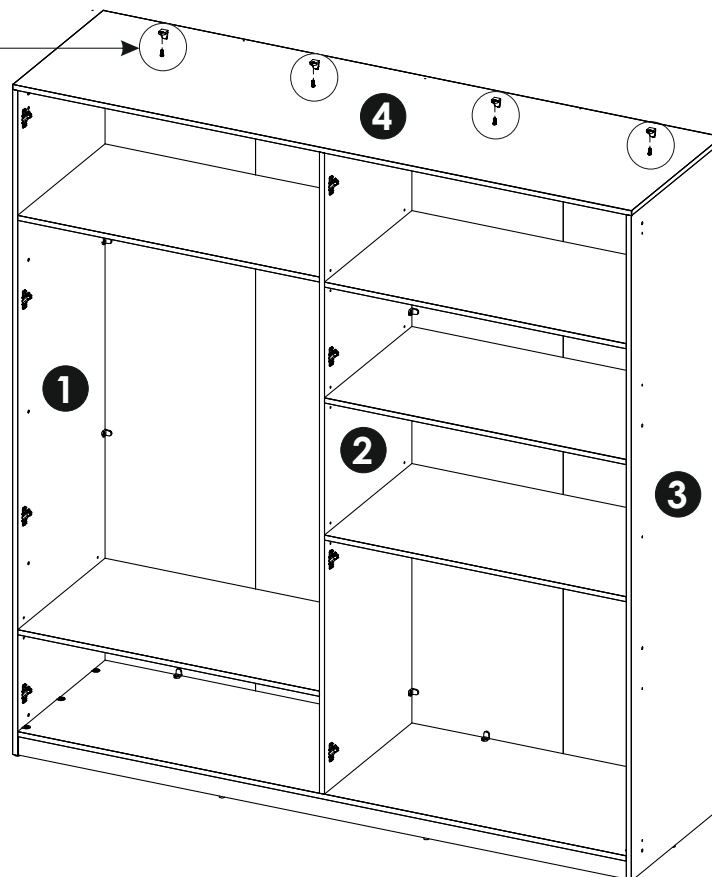
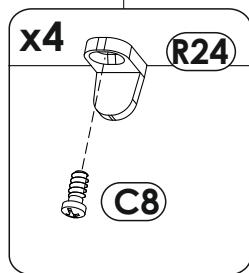
20 ▶



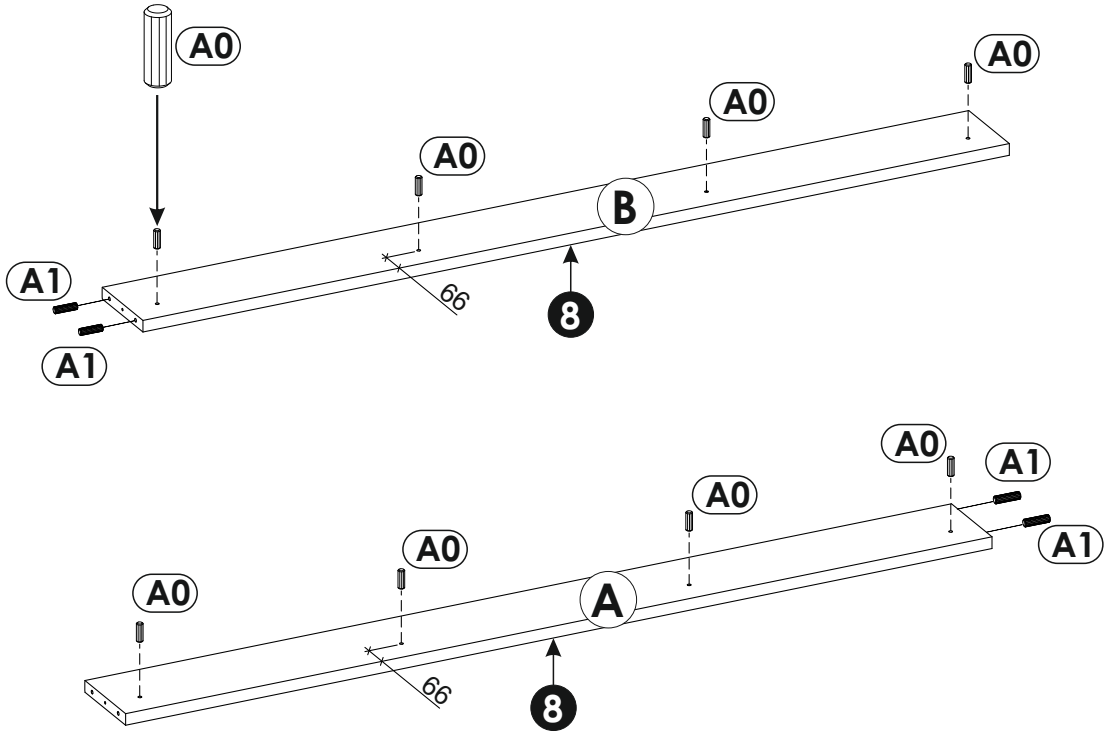
21 ▶



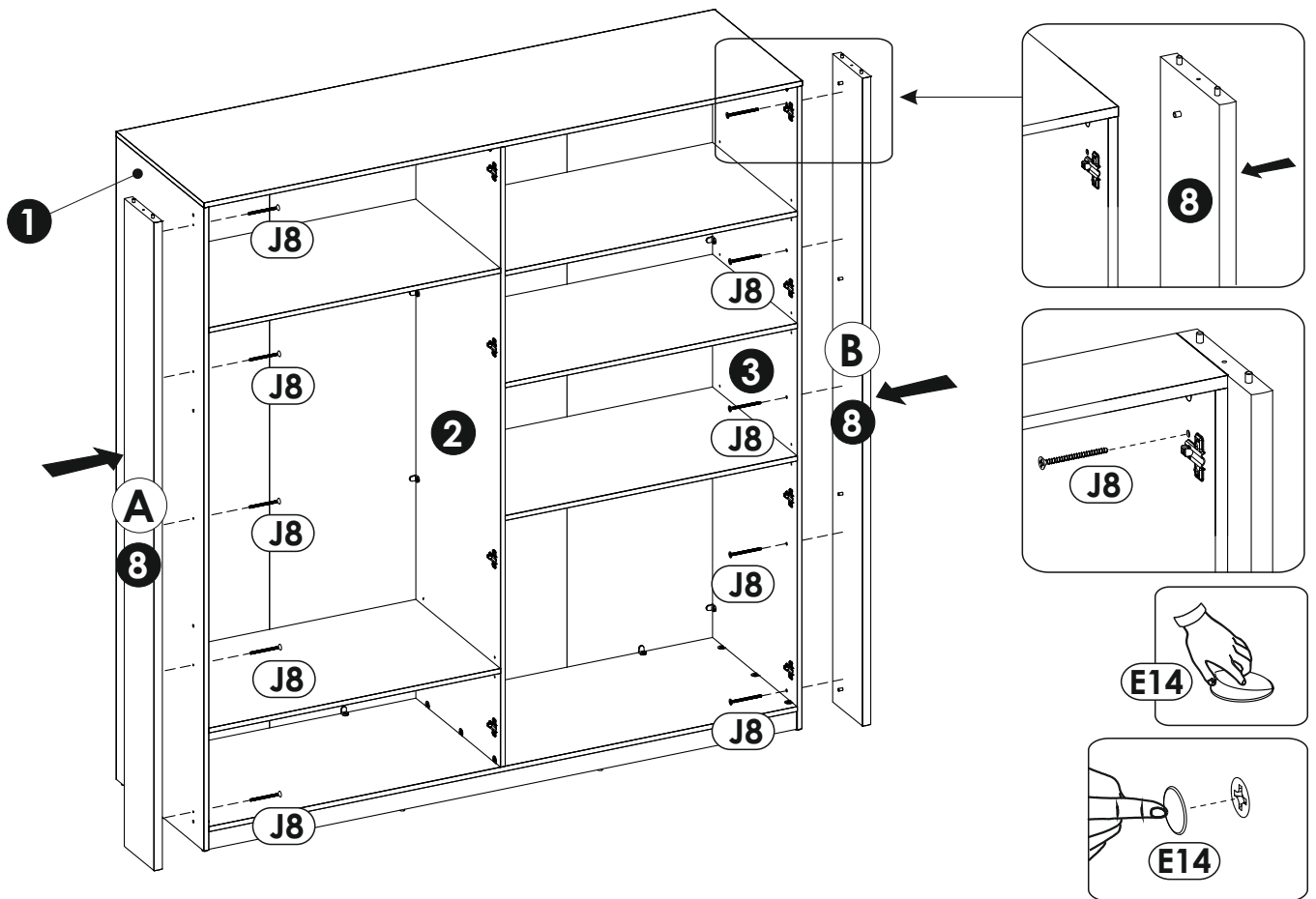
22 ▶



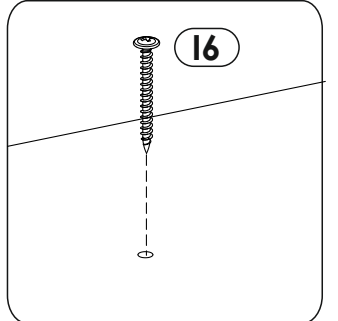
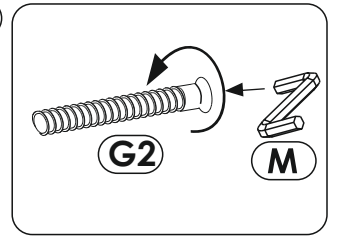
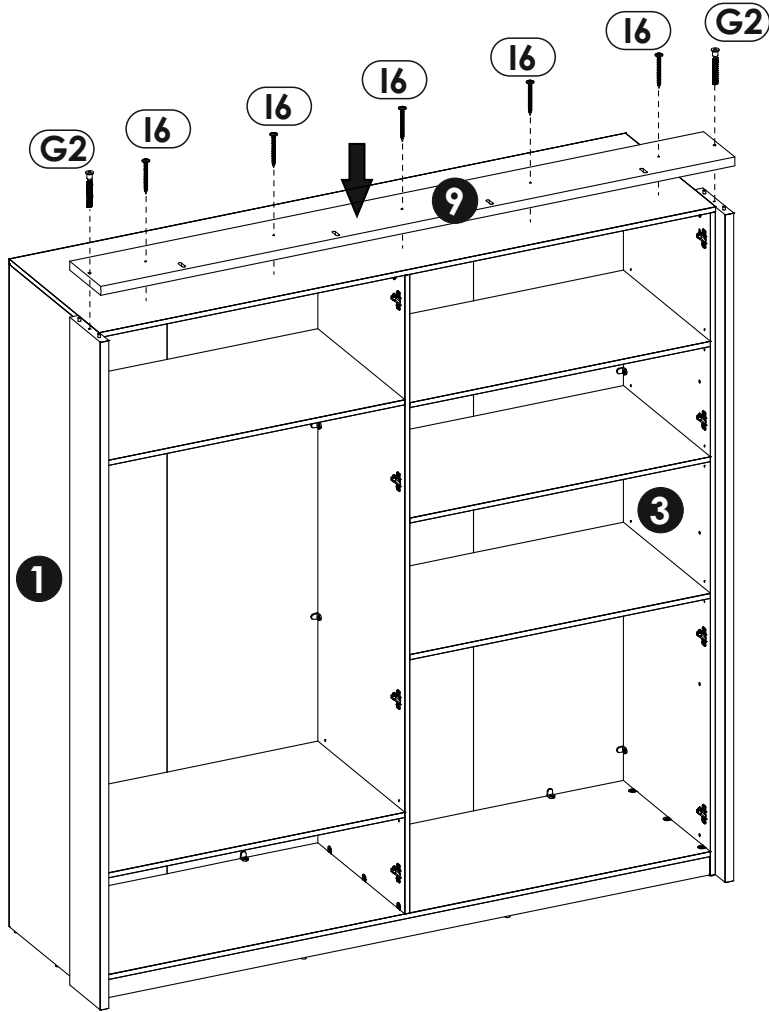
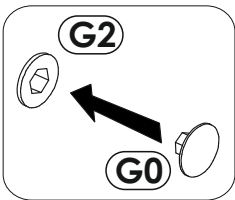
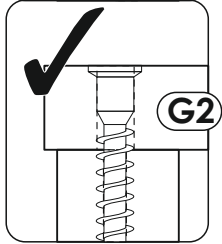
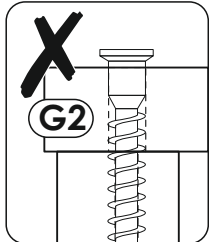
23 ▶



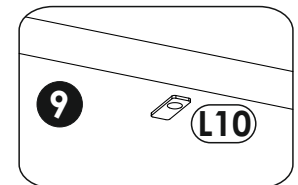
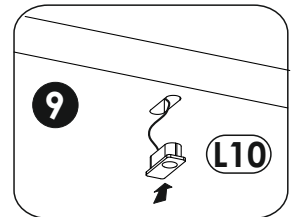
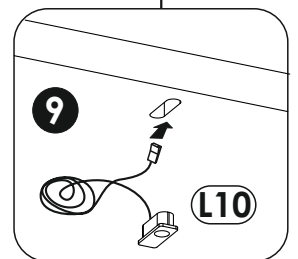
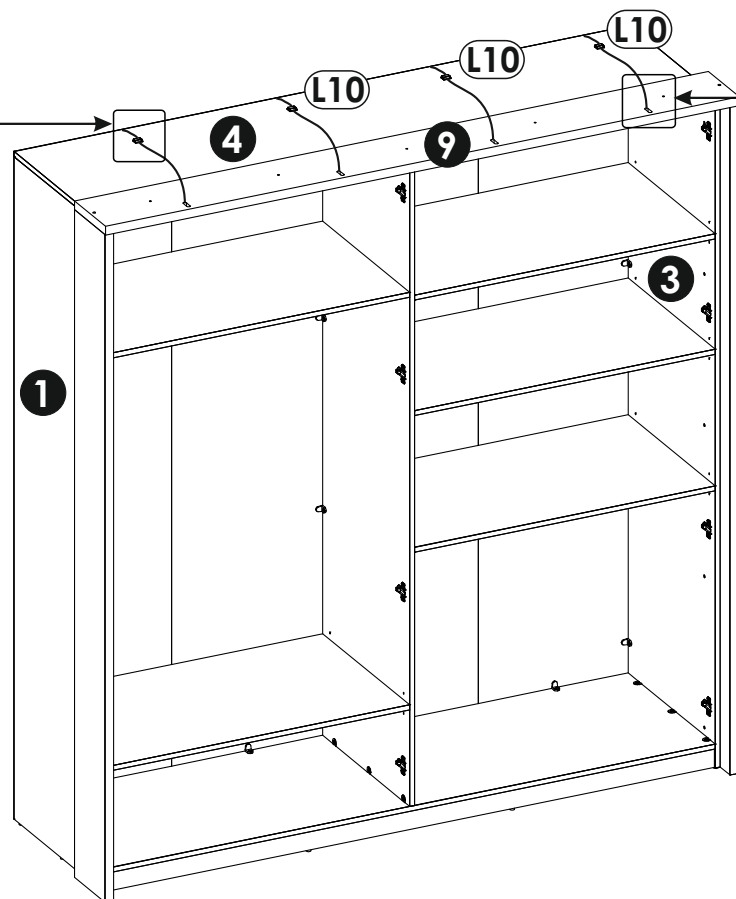
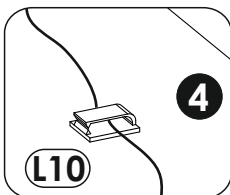
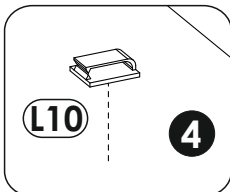
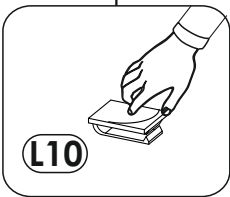
24 ▶

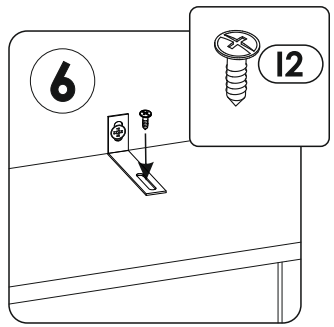
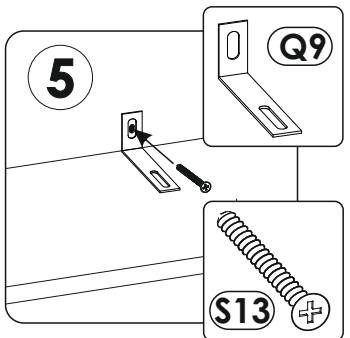
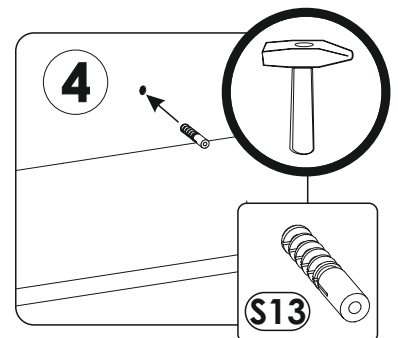
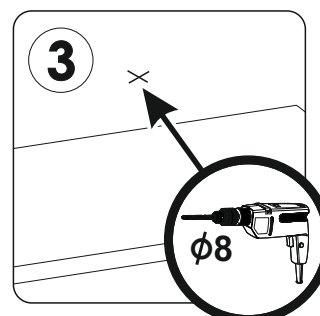
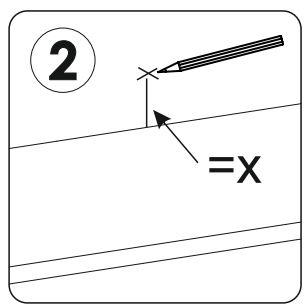
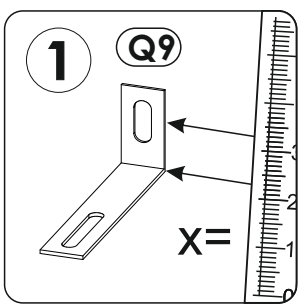
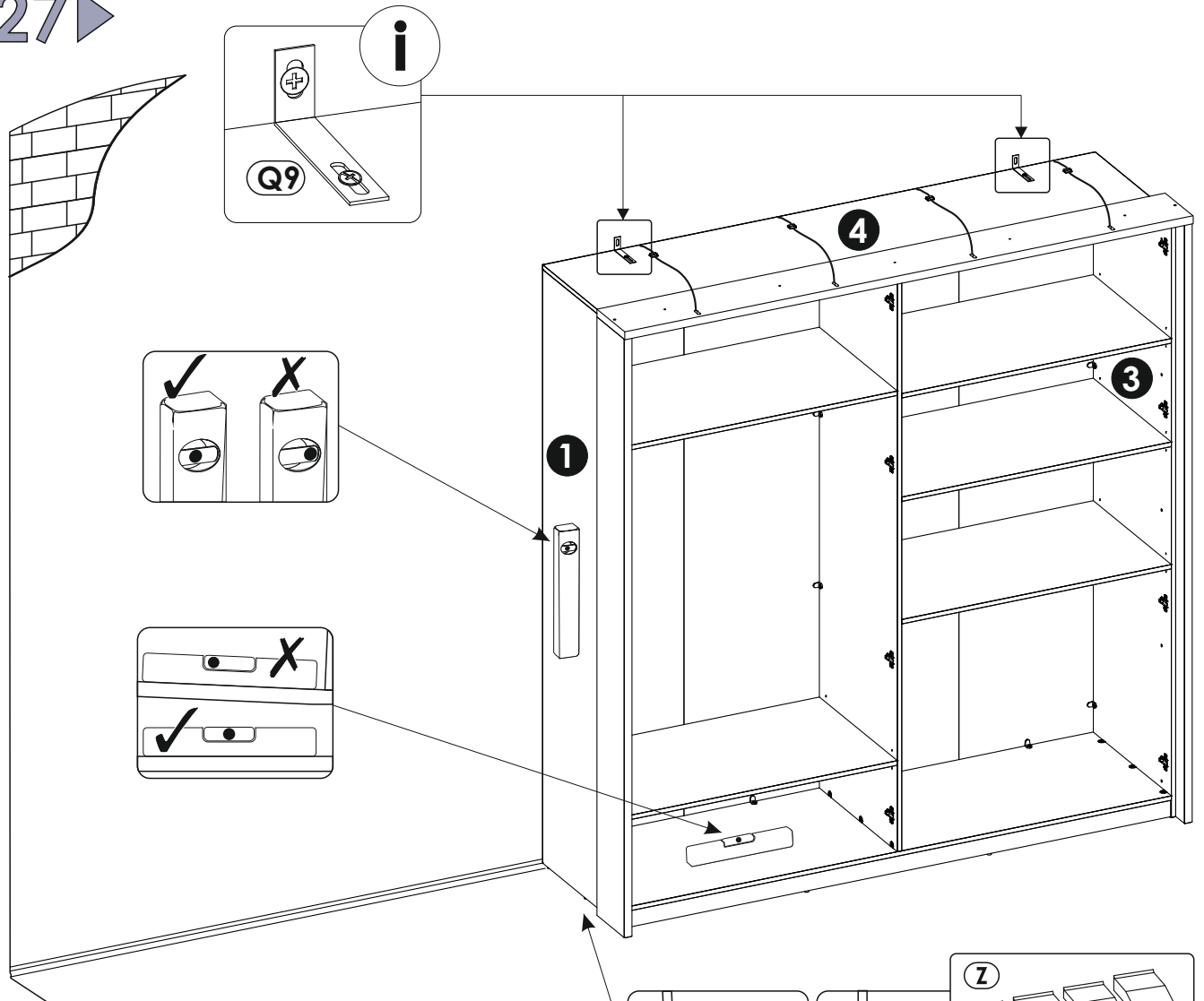


25 ▶

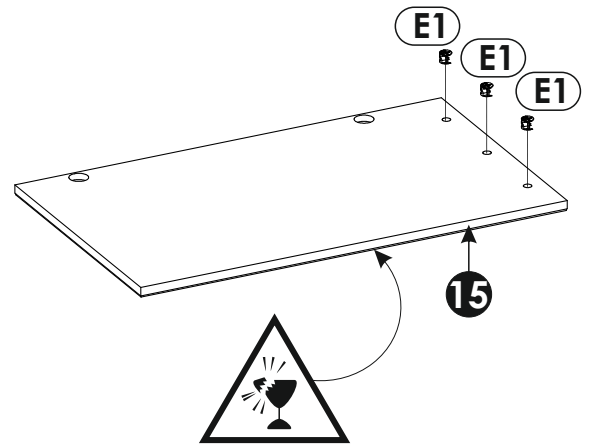
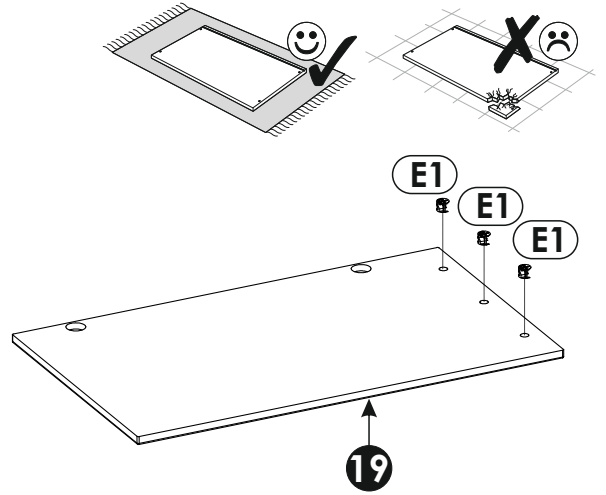
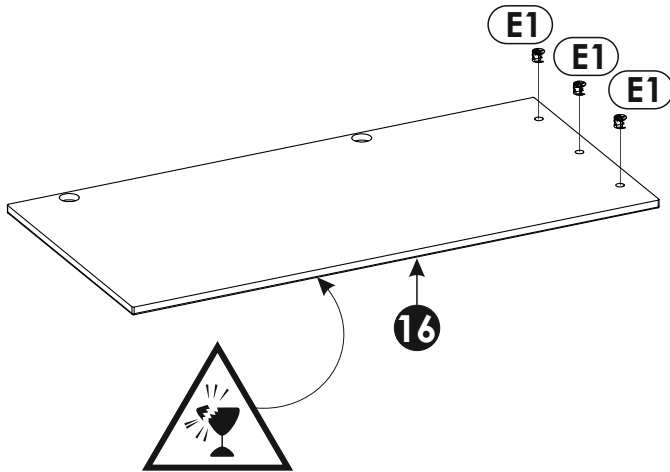
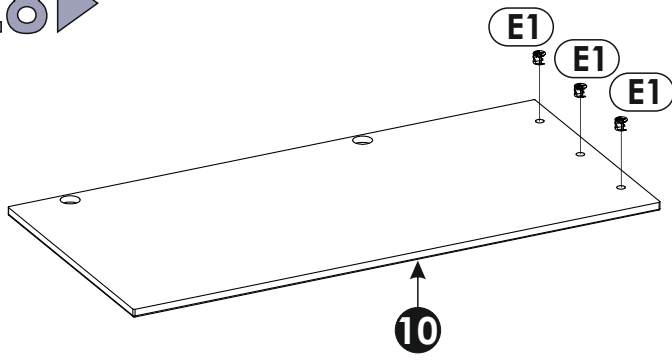


26 ▶

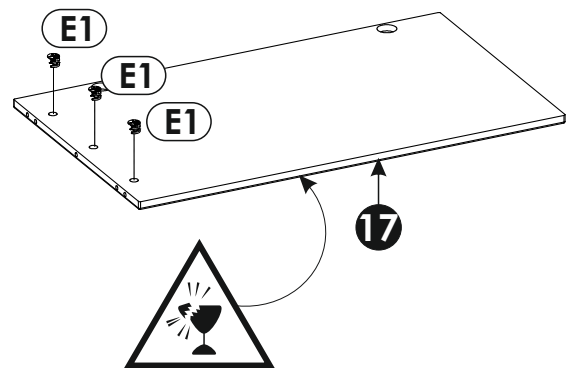
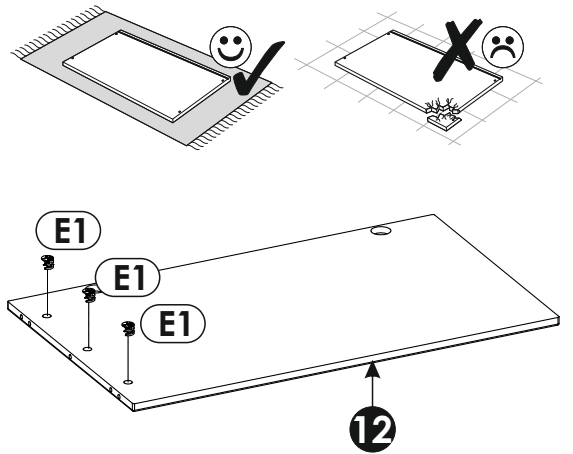
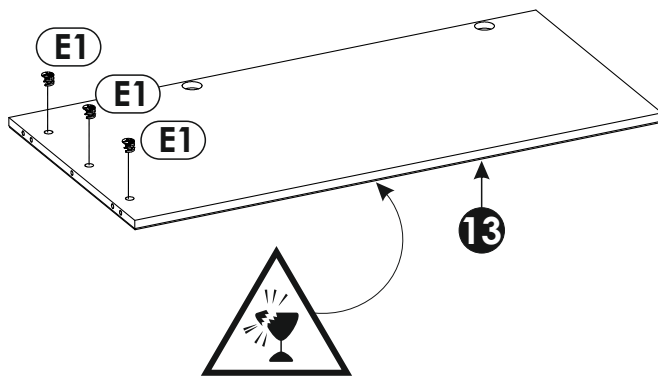
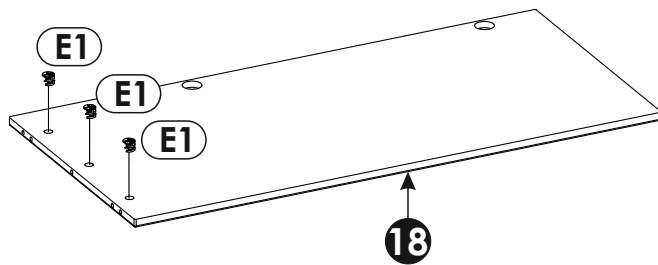




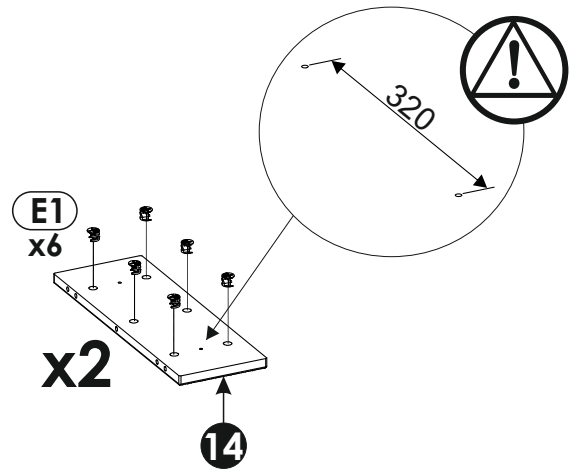
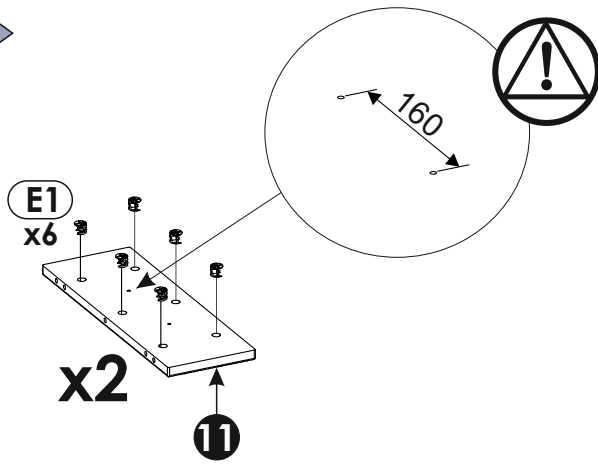
28 ▶



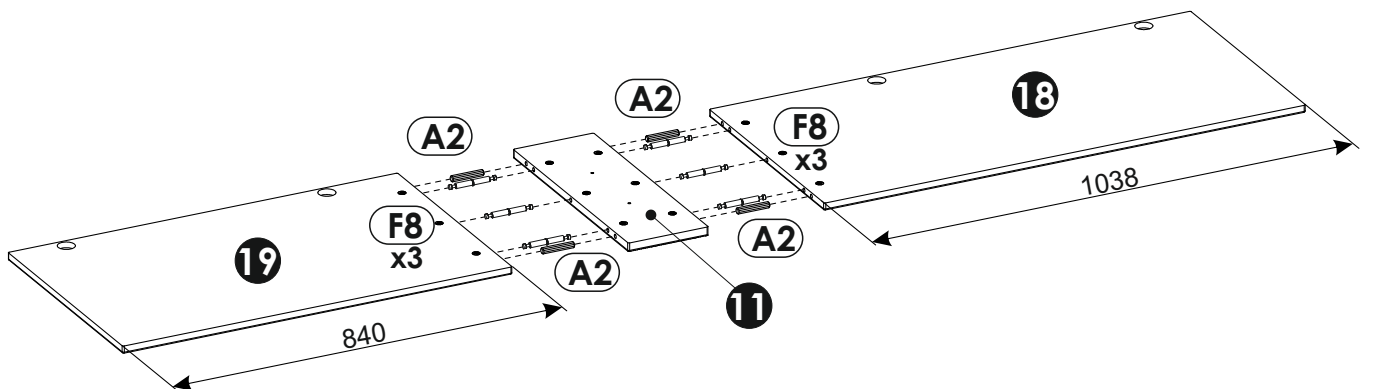
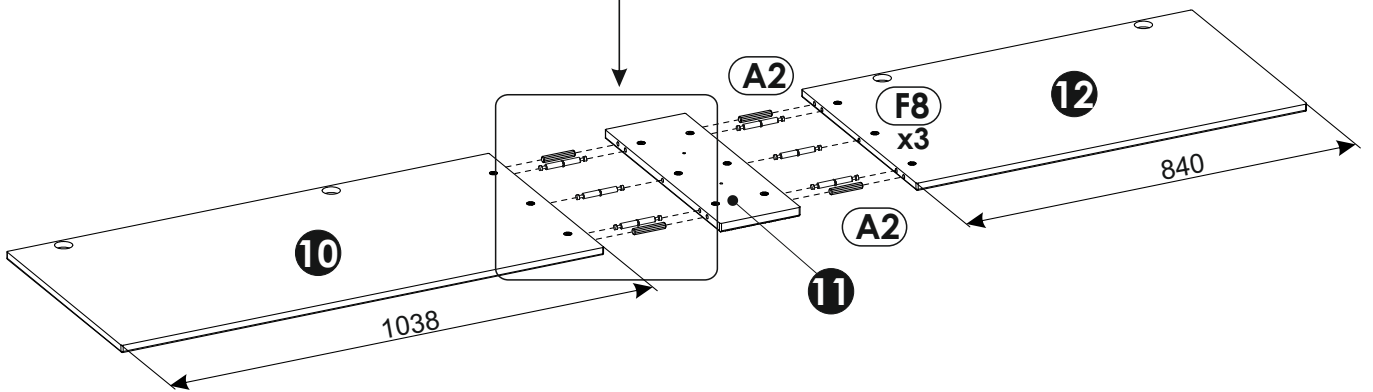
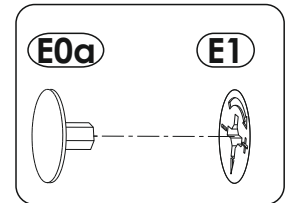
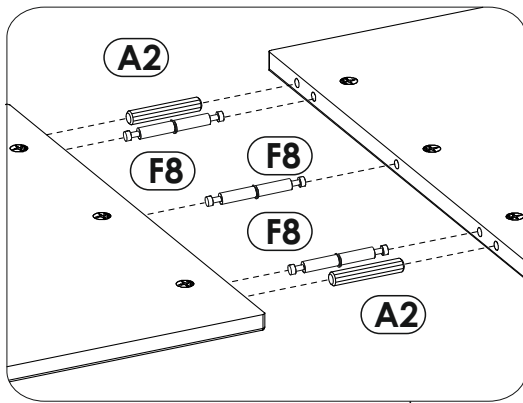
29 ▶

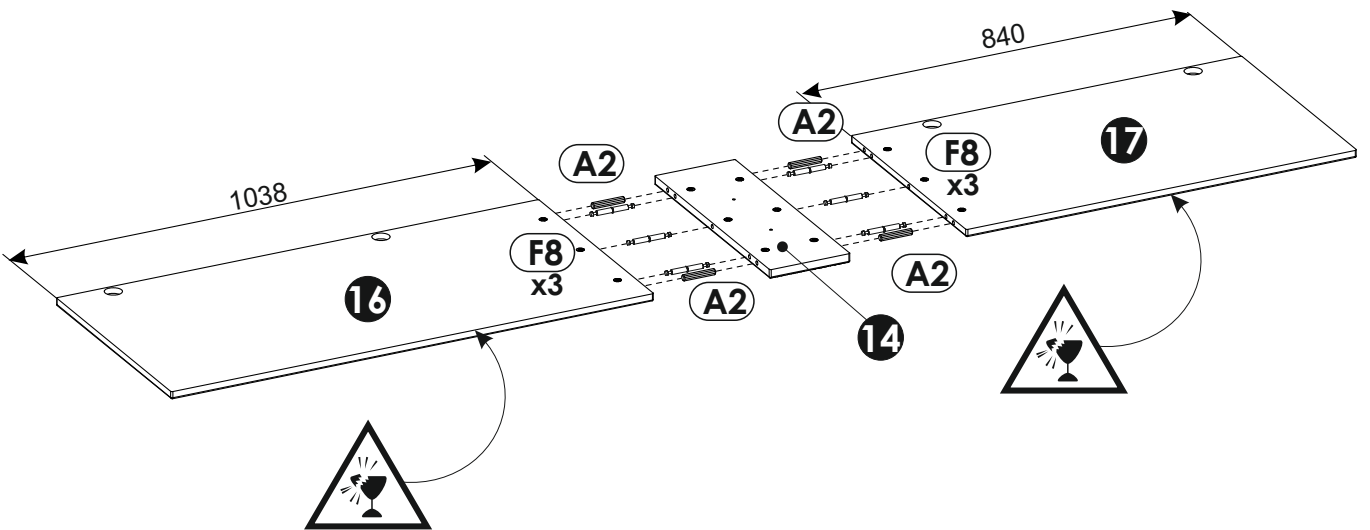
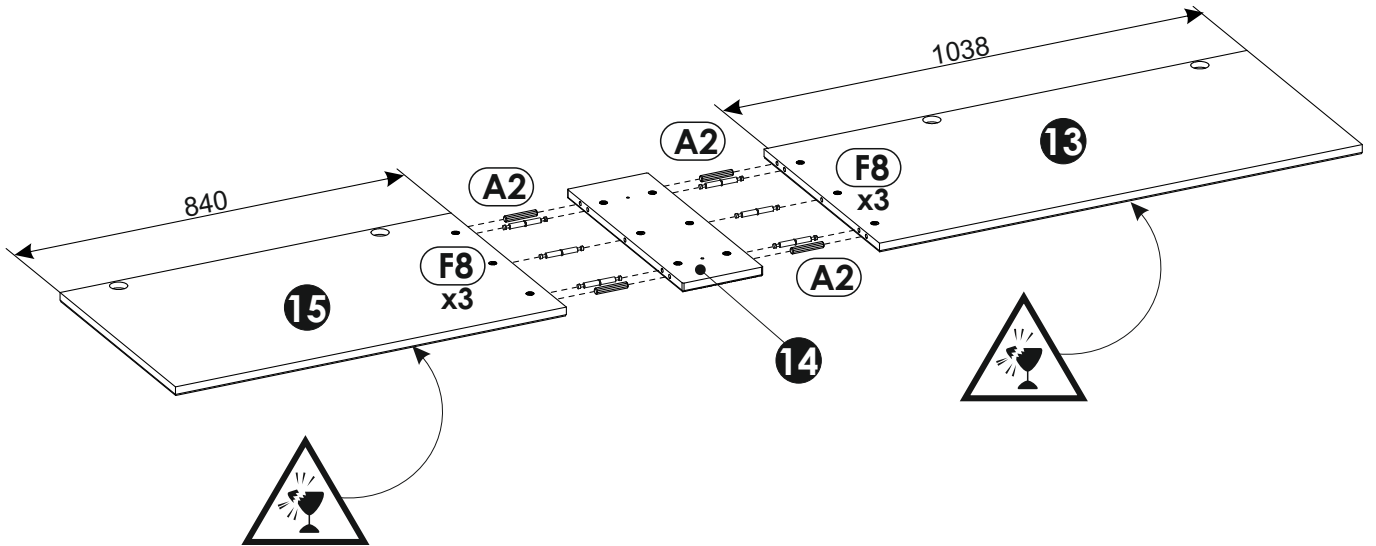
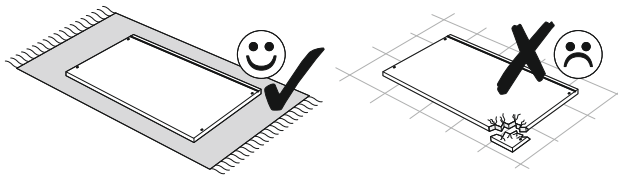
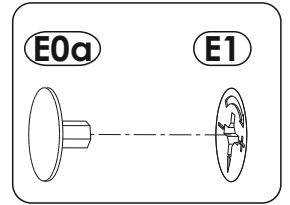


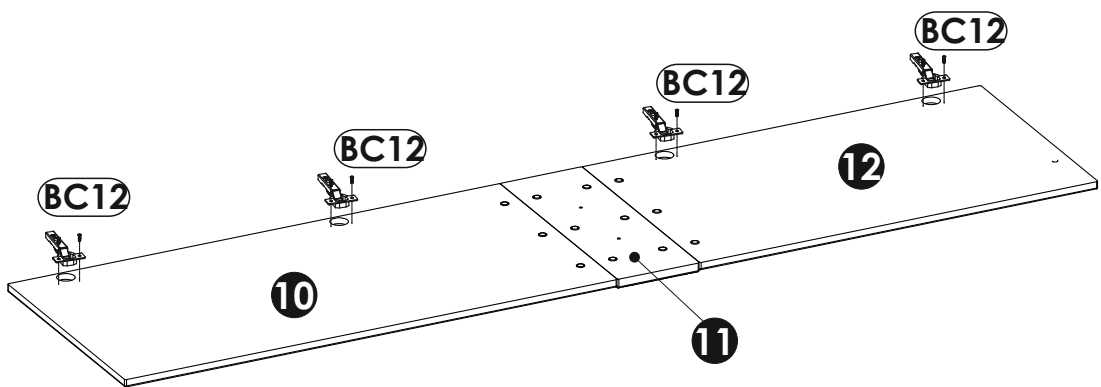
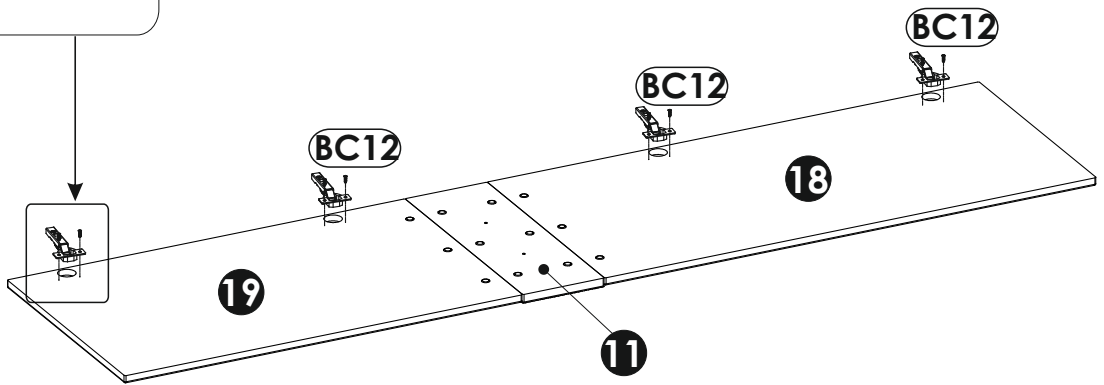
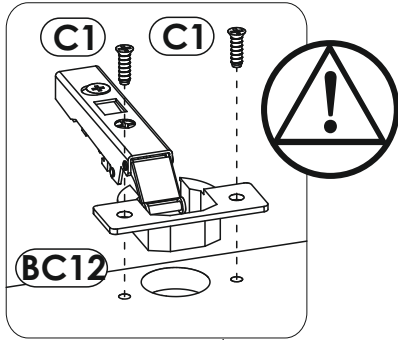
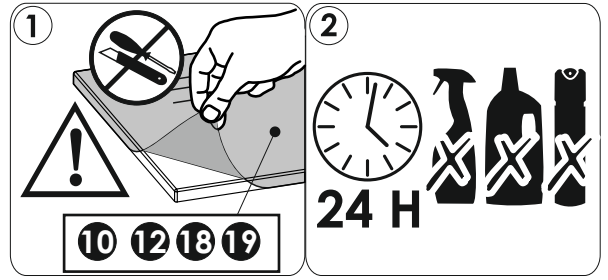
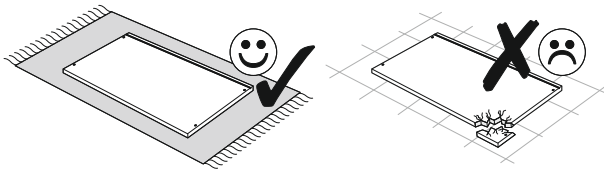
30 ▶

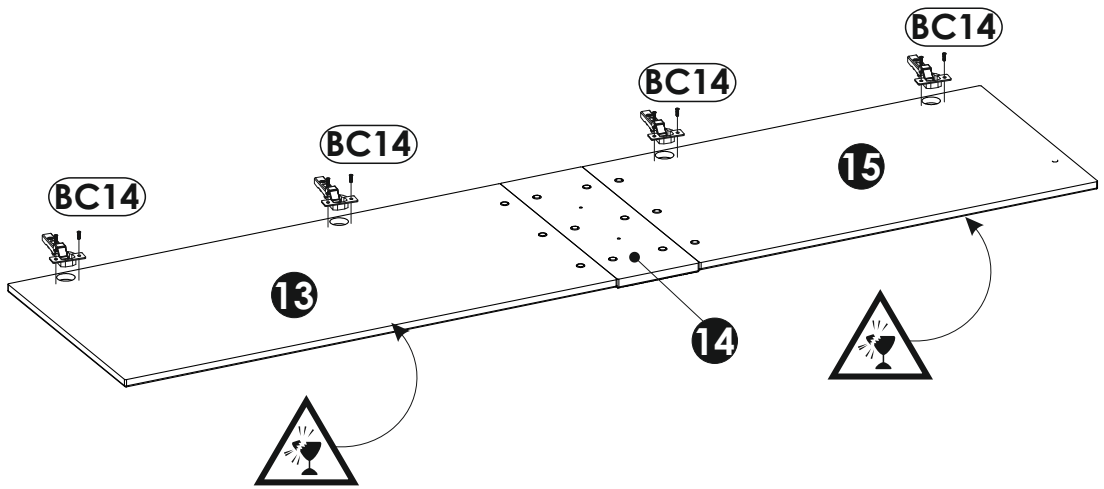
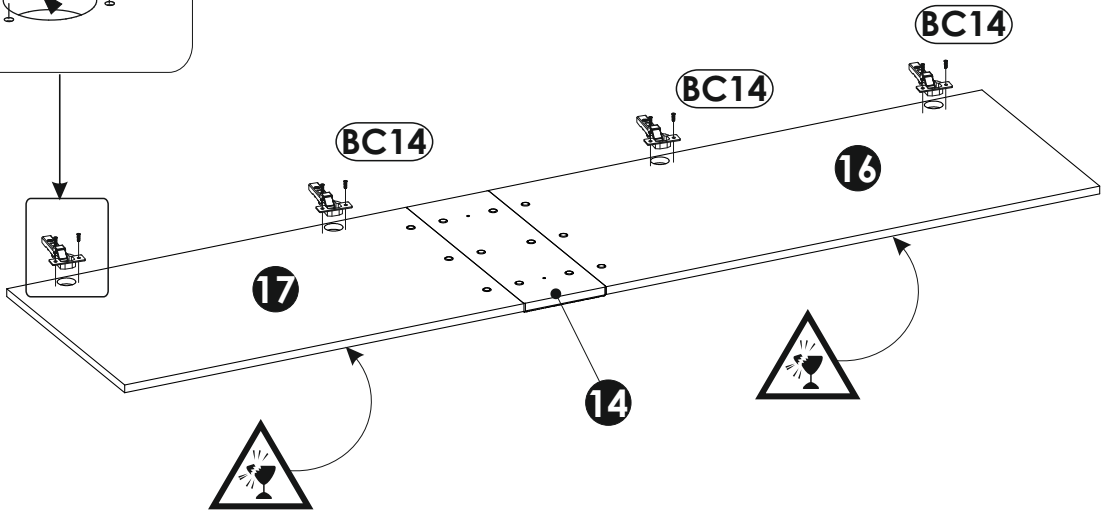
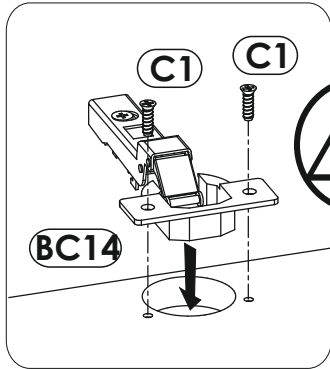
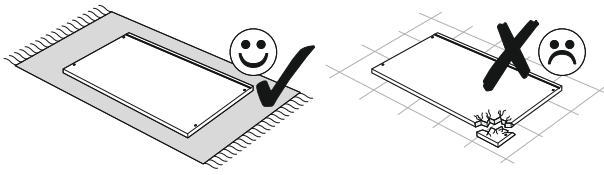


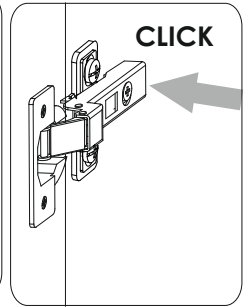
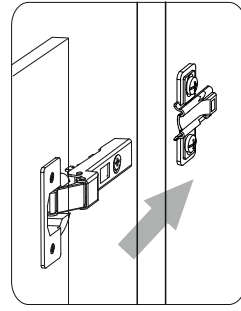
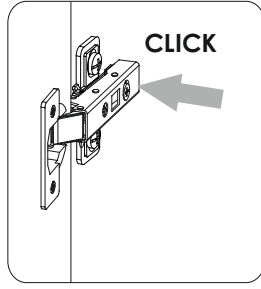
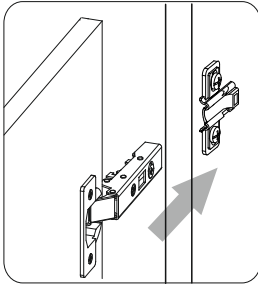
31 ▶



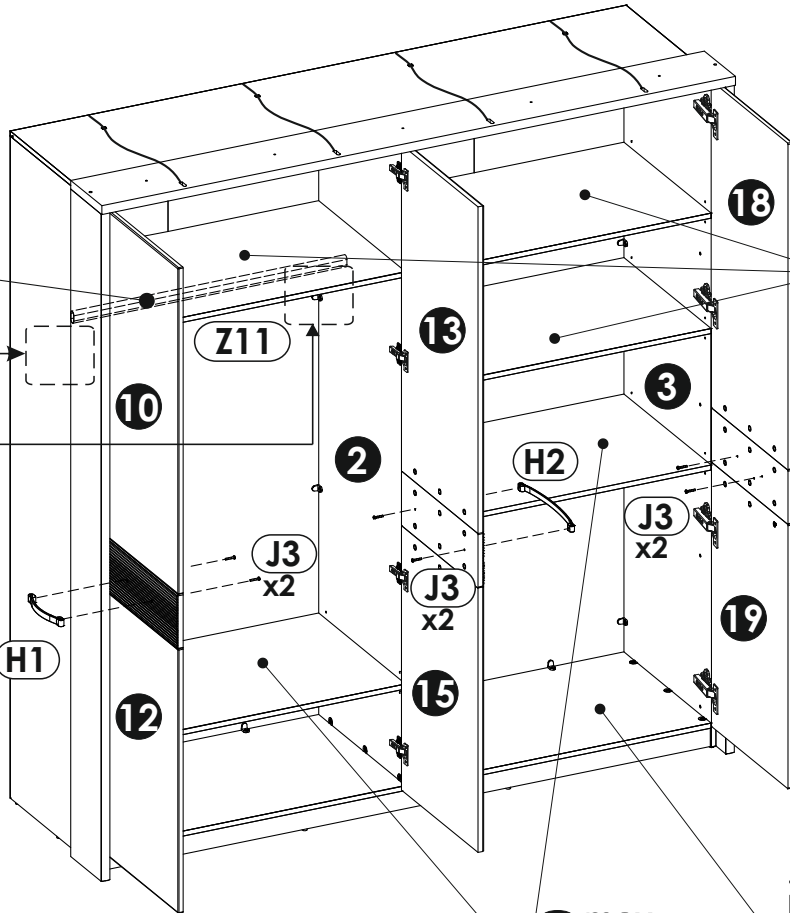
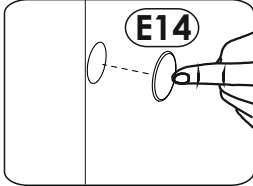








max.
19 kg



max.
5 kg

max.
5 kg

max.
10 kg

